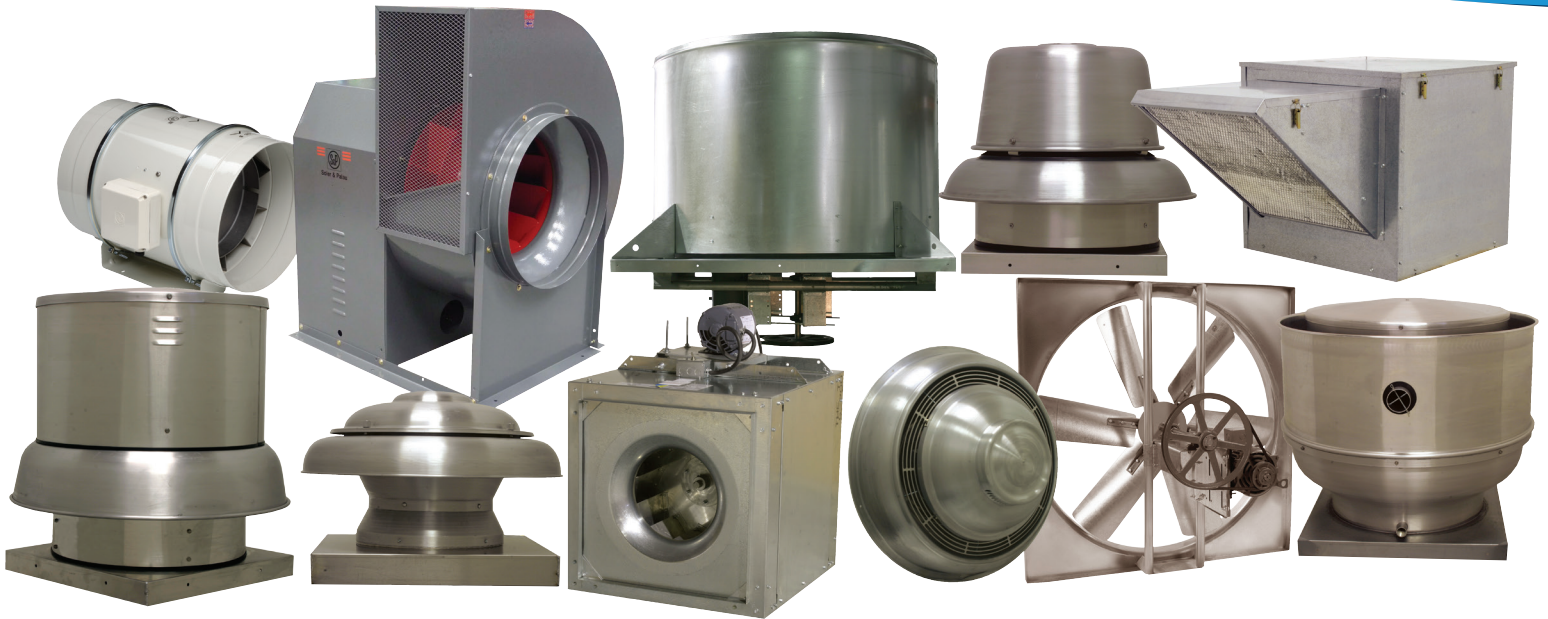


JencoFan

April 2015
Updated April 2015

General Catalog

Air Movement Solutions
North American Division



- Residential
- Commercial
- Industrial
- Energy Recovery

Soler&Palau
Ventilation Group

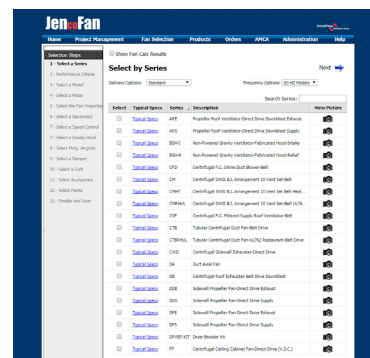
JencoFan Efficiency For Our Products and For You

In a market as competitive as the current one it is simply not enough to produce excellent quality. A company should offer products and a wide range of services for its customers and consultants. At JencoFan this principle is very clear. This is why we have salesmen with high technical skills, a highly trained and motivated customer service team, and a range of technologically advanced tools available to our customers to make finding, purchasing and servicing JencoFan fans as easy as possible.

Industry Leading Online Fan Selection Program

Optimizer2 is a state-of-the-art fan selection program designed by JencoFan to help professionals choose the most suitable product for every case. Optimizer2 allows our customers to obtain product information including submittal drawings, detailed fan performance and typical specifications.

The program allows a user to follow a project from the initial fan selection, through the bidding and submittal phases, after which they can place their order in the program, and finally track their order all the way to the delivery of the project to the final destination. As an online based program our customers can complete their fan projects from anywhere in the world.

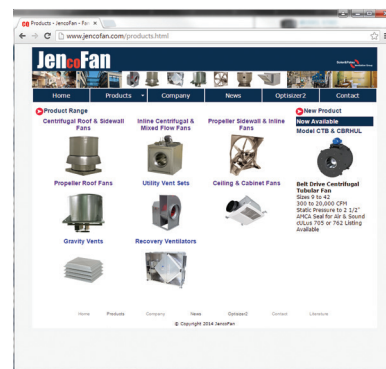


Comprehensive Website for Everything JencoFan

The JencoFan website (www.jencofan.com) was designed to make finding fan information as quick as possible. You can easily find the fan model you are looking for and download catalog pages, installation instructions and product videos directly from the site.

Our website is your source for the latest code and application information and we have detailed explanations for how JencoFan products can help solve your ventilation problems.

The website also has a wide range of product resources such as product comparisons, warranty information, white papers and links to outside sources for both residential and commercial products.



QUICK SELECTION & WARRANTY GUIDE

Use this guide to find the JencoFan fans best suited for your application. The color coded guide helps you easily find the section within this catalog.

Model	Mounting Location				Airflow		Application						Drives		Impeller Type			Warranty				
	Roof Curb	Floor/Base	Hanging	Wall	Ceiling	Exhaust	Supply	General/Clean Air	Contaminated Air	Spark Resistant	Grease/Restaurant (UL762)	Smoke Control (UL)	High Temp above 200° F	Energy Recovery	Heat Recovery	Belt	Direct	Centrifugal	Propeller	Mixed Flow	Fan (Years)	Motor (Years)
Residential/Light Commercial																						
TD					X	X	X	X									X			X	5	-
TD-SILENT					X	X	X	X									X			X	5	-
PV					X	X	X	X									X	X			5	-
SWF			X			X	X	X									X	X			5	-
PC					X	X	X	X									X	X			5	-
FF/FFC			X		X	X	X	X									X	X			1	1
Energy Recovery Ventilators (ERV)																						
TR			X		X	X	X	X	X					X			X	X			*See Note	
TRC					X	X	X	X	X					X			X	X			*See Note	
CRT					X	X	X	X	X					X							*See Note	
HR					X	X	X	X	X						X		X	X			*See Note	
Centrifugal Roof and Sidewall Fans																						
LPD	X			X		X		X	X	X							X	X			5	3
eRED	X					X		X	X	X							X	X			5	1
TXB-RHUL	X					X		X	X	X		X				X	X				2	1
TXD-RHUL	X					X		X	X	X		X				X	X				2	1
CWD				X		X		X	X	X						X	X				5	1
SDB/DB	X					X		X	X	X						X	X				5	1
SDBD/RED	X					X		X	X	X						X	X				5	1
STXB/TXB	X			X		X		X	X	X		X				X	X				5	1
STXD/TXD	X			X		X		X	X	X						X	X				5	1

See Warranty Statement on Page 7

*Models TR, TRC and C-XRT (ERVs) have a 10-year core warranty and a 5-year warranty on the balance of the TR unit and a 2-year warranty on the balance of the TRC and C-XRT units. HR (HRVs) have a limited lifetime core warranty and 5-year warranty on the balance of the unit.

Model	Mounting Location				Airflow		Application						Drives		Impeller Type			Warranty			
	Roof Curb	Floor/Base	Hanging	Wall	Ceiling	Exhaust	Supply	General/Clean Air	Contaminated Air	Spark Resistant	Grease/Restaurant (UL762)	Smoke Control (UL)	High Temp above 200° F	Energy Recovery	Belt	Direct	Centrifugal	Propeller	Mixed Flow	Fan (years)	Motor (years)
Centrifugal Filtered Supply																					
CSF/LSF	X						X	X							X		X			5	1
KSF	X						X	X							X		X			5	1
Centrifugal Inline																					
SQB		X	X		X	X	X	X	X						X		X			2	1
SQD/eSQD		X	X		X	X	X	X	X						X		X			2	1
CFD		X	X		X	X	X	X	X						X		X			2	1
CTB		X	X		X	X	X	X	X						X		X			2	1
Propeller Sidewall Fans																					
LC/L2/L3			X			X	X	X	X						X			X		2	1
G/DD/DF			X			X	X	X	X						X			X		5	1
WA			X			X	X	X	X						X			X		5	-
Propeller Roof Ventilators																					
HRSB/HRSD	X						X	X	X						X	X		X		2	1
HREB-C/HRED-C	X							X	X						X	X		X		2	1
ARE/ARS	X						X	X	X						X	X		X		5	1
UBS	X						X	X	X						X	X		X		2	1
UBSRD	X						X	X	X			X			X	X		X		2	1
UBSRD-HT/HT-1	X						X	X	X		X	X			X	X		X		1	1
UBB/UBX	X						X	X	X						X	X		X		2	1
UBRD	X						X	X	X						X	X		X		2	1
TUB	X						X	X	X						X	X		X		2	1
TUB-HT	X						X	X	X		X	X			X	X		X		1	1

See Warranty Statement on Page 7

Model	Mounting Location					Airflow		Application						Drives		Impeller Type			Warranty		
	Roof Curb	Floor/Base	Hanging	Wall	Ceiling	Exhaust	Supply	General/Clean Air	Contaminated Air	Spark Resistant	Grease/Restaurant (UL762)	Smoke Control (UL)	High Temp above 200° F	Energy Recovery	Belt	Direct	Centrifugal	Propeller	Mixed Flow	Fan (years)	Motor (years)
Inline Tubeaxial																					
TDB		X	X		X	X	X	X	X	X					X			X		2	1
TDD		X	X		X	X	X	X	X	X						X		X		2	1
DA		X	X		X	X	X	X	X	X						X		X		5	-
Utility Sets																					
CM		X	X			X	X	X	X	X			X		X		X		5	1	
CM-RHUL		X	X			X	X	X	X	X			X		X		X		2	1	
CM-HT		X	X			X	X	X	X	X			X		X		X		1	1	
Gravity Vents Intake/Relief																					
RCXII	X	X				X	X	X											5	-	
BGH	X					X	X	X											5	-	
RLX	X					X	X	X											5	-	

See Warranty Statement on Page 7

Limited Warranty

JencoFan (Manufacturer) 6393 Powers Avenue, Jacksonville, Florida 32217 (USA), warrants equipment of its manufacture to be free from defects in design, materials and workmanship (exclusive of abrasion, corrosion or erosion) for one (1), two (2) or five (5) year(s) as noted from the date of shipment to the original purchaser or the date of notification of readiness to ship. Motor warranty is one (1) or three (3) year(s) as noted. In order to claim the benefit of this warranty, buyer must notify manufacturer in writing of the claimed defect within ten (10) days after discovering it and return this equipment or parts to the manufacturer with transportation prepaid. In the event of on-site repair, no service technician will be dispatched until manufacturer receives your written purchase order. If any of the following conditions exist, the warranty will be null and void: (1) Buyer has permitted other persons not approved or authorized by manufacturer to alter, adjust, replace or repair the equipment or any part thereof. (2) Buyer has not followed instructions or other directions given in the contract documents or our maintenance manual. (3) When breakage or other loss or damage is the result of any negligence, misuse or fault on the part of any operator or other person not under our supervision or control. (4) The defect is the result of designs or drawings made, furnished or specified by others. (5) In the case of goods not manufactured but supplied by the manufacturer as part of a contract, manufacturer shall only be liable to the same extent that our supplier is to manufacturer, not to exceed any liability manufacturer would have for warranty on our own equipment. (6) Buyer has not paid in full invoices submitted to the buyer which are due for payment. (7) Unusual wear and tear of the equipment.

Statements relating to the product, its use or installation made prior to the execution of the agreement, are not warranties except to the extent that the contrary is expressly set forth herein. It is understood that such statements were not intended to, and did not, form a part of the agreement; they were merely made in the course of negotiations of the parties.

THIS WARRANTY IS IN LIEU OF ANY OTHER EXPRESSED OF IMPLIED WARRANTIES, INCLUDING ANY IMPLIED WARRANTY OF MERCHANTABILITY OR FITNESS FOR ANY PARTICULAR PURPOSE. OUR SOLE AND EXCLUSIVE OBLIGATION UNDER THIS WARRANTY IS TO REPAIR OR REPLACE DEFECTIVE EQUIPMENT OR PARTS OR, AT OUR OPTION, TO PAY THE REASONABLE COST OF REPAIR OR REPLACEMENT. BUYER AGREES THAT NO OTHER REMEDY (INCLUDING, BUT NOT LIMITED TO, INCIDENTAL OR CONSEQUENTIAL DAMAGES, DAMAGE FOR LOST PROFITS OR SALES, OR DAMAGES FOR INJURIES TO PERSON OR PROPERTY) SHALL BE AVAILABLE. NOTWITHSTANDING THE ABOVE, THE TOTAL AMOUNT THAT MAY IN ANY EVENT BE PAYABLE IN SETTLEMENT OR LIABILITY, HOWEVER INCURRED, SHALL NOT EXCEED THE CONTRACT PRICE.

Product Catalog Index

Residential/Light Commercial Product Range

MODEL TD-MIXVENT



12

MODEL TD-SILENT



16

MODEL PV



21

MODEL SWF



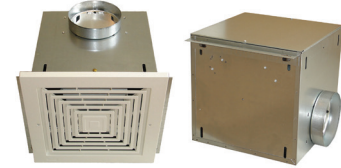
25

MODEL PC, PCD, & PCLP



32

MODEL FF/FFC



39

Energy & Heat Recovery Ventilators

MODEL TR (ERV)



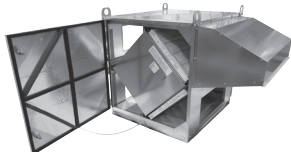
52

MODEL TRC
(Light Commercial ERV)



60

MODEL CRT
(Outdoor Cabinet with Cores)



70

MODEL HR (HRV)



75

Centrifugal Roof and Sidewall

DIRECT DRIVE MODELS

MODEL LPD



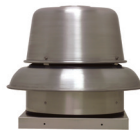
82

MODEL TXD



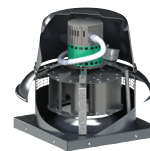
189

MODEL RED



86

MODEL eRED



92

MODEL CWD



197

MODEL STXD



142

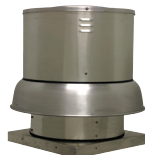
MODEL SDBD



102

BELT DRIVE MODELS

MODEL DB



124

MODEL SDB



102

MODEL TXB



166

MODEL STXB



142

Product Catalog Index

Centrifugal Filtered Supply

BELT DRIVE MODELS

MODEL KSF



201

MODEL CSF



212

MODEL LSF



212

Centrifugal Inline

DIRECT DRIVE MODELS

MODEL SQD/eSQD



253

BELT DRIVE MODELS

MODEL SQB



229

MODEL CFD



265

MODEL CTB



275

Propeller Sidewall Fans (Exhaust or Supply)

DIRECT DRIVE MODELS

LOW PRESSURE

MODEL GED/GSD

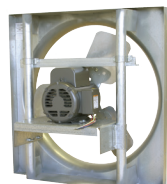


316

DIRECT DRIVE MODELS

MEDIUM PRESSURE

MODEL DFE/DFS

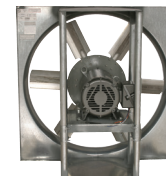


316

DIRECT DRIVE MODELS

HIGH PRESSURE

MODEL DDE/DDS



316

MODEL WA



335

BELT DRIVE MODELS

LOW PRESSURE

MODEL LC

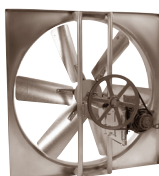


292

BELT DRIVE MODELS

MEDIUM PRESSURE

MODEL L2



292

BELT DRIVE MODELS

HIGH PRESSURE

MODEL L3



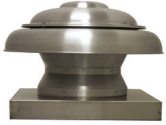
292

Product Catalog Index

Propeller Roof Ventilators (Exhaust or Supply)

DIRECT DRIVE MODELS

MODEL ARE/ARS



357

MODEL HRED-C (EXHAUST)



349

MODEL HRSD (SUPPLY)



340

MODEL UBX (EXHAUST)



371

SPECIAL APPLICATION MODELS

MODEL UBSRD-HT/HT1
(EXHAUST, LIGHT DUTY, REMOTE DRIVE)



367

MODEL TUB-HT
(EXHAUST, HEAVY DUTY, REMOTE DRIVE)



388

BELT DRIVE MODELS

MODEL HREB-C (EXHAUST)



349

MODEL HRSB (SUPPLY)



340

MODEL UBS (EXHAUST, LIGHT DUTY)



360

MODEL UBSRD (EXHAUST, LIGHT DUTY,
REMOTE DRIVE)



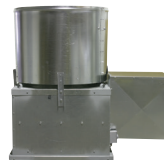
364

MODEL UBB (EXHAUST, LIGHT DUTY)



371

MODEL UBRD (EXHAUST, LIGHT DUTY,
REMOTE DRIVE)



378

MODEL TUB (EXHAUST, HEAVY DUTY,
REMOTE DRIVE)



382

Product Catalog Index

Inline Tubeaxial

DIRECT DRIVE MODELS

MODEL TDD



417

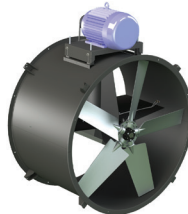
MODEL DA



424

BELT DRIVE MODELS

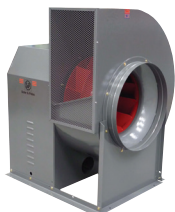
MODEL TDB



390

Utility Sets (Belt Drive)

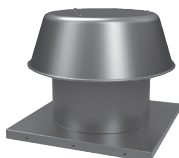
MODEL CM (HEAVY DUTY)



427

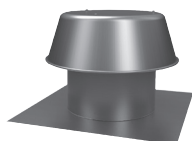
Gravity Vents Intake/Relief

MODEL RCXII



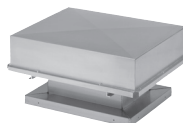
450

MODEL RCXII-SF



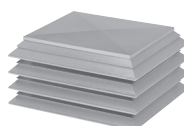
450

MODEL BGH



454

MODEL RLX



462

MODEL TD-MIXVENT

INLINE MIXED FLOW DUCT FAN



MODEL FEATURES

- Exhaust air up to 2,630 CFM with static pressure capabilities to 1" w.g.
- Mixed flow impeller for excellent air flow to pressure performance ratio
- Direct connection, two-speed motor
- Ideal for applications where space is limited
- AMCA Seal for Air Performance
- cULus Listed

MODEL OVERVIEW

The TD-MIXVENT series of in-line duct fans have been specially designed to maximize the airflow performance with minimal noise levels within the smallest and most compact of housing sizes. This makes the TD-MIXVENT series the ultimate solution for small to medium sized ventilation installations which require a high airflow to pressure ratio and occupy only the minimum space possible. Example: false ceiling voids, cabinets and many other limited space environments.

All the models in the TD-MIXVENT range have been designed with the professional contractor/engineer in mind. All models include a “removable body” feature that enables the motor-impeller assembly to be completely removed or replaced without the need to interfere with the attached ducting.

All models within the TD-MIXVENT range incorporate a powerful mixed flow impeller and internal air vanes located at the discharge end of the fan housing. This impeller and guide vane combination provides a smooth laminar air flow which in turn minimizes turbulence and noise, and generates an **excellent air flow to pressure performance ratio**.

All of the TD-fans include the combination of a powerful motor, factory installed, to a mixed flow impeller. This motor and impeller combination enables the TD-fans to deliver high airflow performances with minimum noise generation against high static pressures typically found in ducted ventilation systems. The unique design of the support brackets allows the motor and impeller assembly to be fitted or removed without dismantling the adjacent ducting, therefore facilitating any installation or maintenance. The internal aerodynamic design of the TD-MIXVENT fan enables the unit to generate large air volumes and pressures with the minimum of in-duct or radiated noise. As an additional standard advantage, TD-MIXVENT fans are fitted with a direct connection two-speed motor. The TD-fans offer the ideal in-line duct fan solution for a wide range of HVAC ventilation applications.

TD-MIXVENT Fan Kits

The TD ventilation kits enable the simple and fast installation of a complete ventilation system. The kits include the powerful TD in-line fan providing efficient extraction for bathrooms, toilets, washrooms and any other applications that require the removal of bad odors, stuffy and humid air. In addition to the fan, the kits include an interior premium intake grille (PG) and an exterior louvered grille (PERW) to provide the complete hardware required for a given ventilation system.



Model TD-MIXVENT is available in our Quickship program. All sizes are available for next day shipping from stock.



5 year fan housing and motor warranty

All specifications are subject to change without notice unless approved in submittal by JencoFan.

CONSTRUCTION/SPECIFICATION CHECKLIST

Construction

The TD-MIXVENT models 100, 100x, 125, 150 and 200 are manufactured in tough reinforced plastic, models 250 and 315, 355 and 400 have a metal casing and are finished in a tough epoxy-polyester paint coating.

The TD fan duct connection flanges are manufactured from reinforced plastic, except for models 200, 200, 250, 315, 355 and 400 which are constructed from epoxy-polyester coated metal.

TD 250 and 315 are UL listed for outdoor use.
TD 355 and 400 are UL 507 and UL 705 certified.

Impellers

The impeller blades for models 100, 100x, 125 and 150 are molded in tough ABS plastic. Models 200, 250, 315, 355 and 400 are metal.

Motors

Models 100, 100x and 125:

Single-phase, 120V 60Hz, shaded pole induction asynchronous motor in die cast aluminum. All motors include direct two speed connection and are also suitable for voltage speed control.

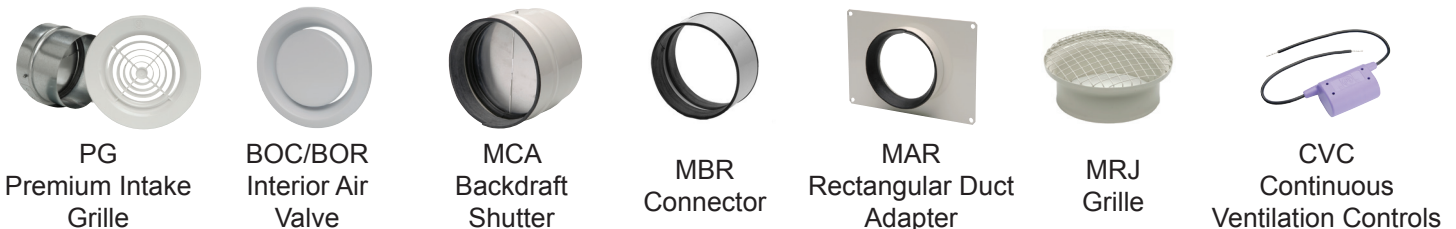
- Class II electrical insulation (model 100) & Class I (models 100x and 125)
- IP 44 Protection
- Class B Motor Insulation
- Safety auto reset Thermal Overload Protection (fuse type)
- Self-lubricating sleeve bearings.
- Suitable for working airstreams up to 104° F (40°C).

Models 150, 200, 250, 315, 355 and 400:

Single-phase induction asynchronous motor, with permanent capacitor and external rotor in die cast aluminum. Models 150, 200, and 315 include direct two speed connection and are also suitable for voltage speed control. Models 355 and 400 are single speed.

- Suitable for working airstreams up to 140° F (60°C).
- Class I electrical insulation
- IP 44 Protection
- Thermal Overload Protection
- Class B Motor Insulation
- Sealed For Life, ball bearings

ACCESSORIES



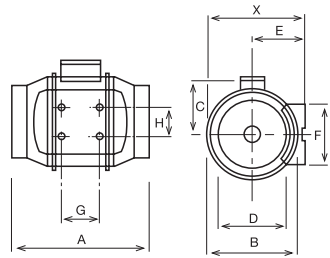
Please refer to the JencoFan Group A (Residential/Light Commercial) catalog for a complete line of accessories.



PERFORMANCE/DIMENSIONS

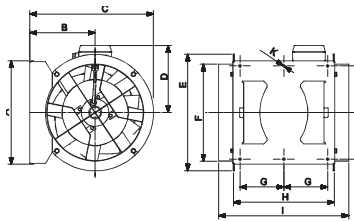
Dimensions (inches/mm)

Models 100 - 315



Model	X	A	B	C	D	E	F	G	H
TD-100	5 15/16 151	9 1/8 232	5 7/16 138	3 3/4 96	3 7/8 98	3 1/4 82	3 3/4 95	1 7/8 48	2 1/16 52
TD-100x	7 3/8 188	11 15/16 303	6 15/16 176	4 1/2 115	3 13/16 97	3 15/16 100	3 9/16 90	3 1/8 80	2 3/8 60
TD-125	7 3/8 188	10 3/16 258	6 15/16 176	4 1/2 115	4 13/16 123	3 15/16 100	3 9/16 90	3 1/8 80	2 3/8 60
TD-150	8 3/8 212	11 5/8 295	7 7/8 200	5 127	5 13/16 147	4 7/16 112	5 1/8 130	3 1/8 80	2 3/8 60
TD-200	9 3/16 233	11 7/8 302	8 9/16 217	5 9/16 141	7 13/16 198	4 7/8 124	5 1/2 140	3 15/16 100	3 11/16 94
TD-250	11 7/16 291	15 3/16 386	10 11/16 272	7 9/16 192	9 3/4 248	6 1/8 155	6 5/8 168	5 11/16 145	5 1/2 140
TD-315	14 356	17 11/16 450	13 1/4 336	8 13/16 224	12 5/16 312	7 3/8 188	8 1/4 210	7 3/16 182	7 178

Models 355 & 400



Model	A	B	C	D	E	F	G	H	I	J	K
TD-355	14 5/16 377	9 3/8 238	17 11/16 451	8 5/16 224	16 7/8 426	13 15/16 354	5 8/9 150	14 1/2 368	18 2/3 474	13 3/8 340	1/3 8.5
TD-400	16 407	9 4/5 249	19 3/8 492	10 1/2 267	19 1/6 487	15 5/7 399	6 2/7 160	16 3/4 425	21 5/9 547	14 4/7 370	1/3 8.5

Performance characteristics

Models 100 up to 315 include a direct two speed motor connection.

Model	Nom. RPM	Volts	Max. Watts	Speed	CFM v Static Pressure (SP) Ins. WG							Max. SP	Max operating temp. (°F)	Wgt. (lbs)	Duct Dia. Ins.
					0"	0.125"	0.25"	0.375"	0.5"	0.75"	1.0"				
TD-100	2431	120	23	LS	97	81	51	-	-	-	-	.4	104	2	4"
	2516	120	26	HS	101	85	57	-	-	-	-	.4	104	2	4"
TD-100x	1556	120	20	LS	100	77	48	-	-	-	-	.375	104	4.4	4"
	2096	120	33	HS	135	113	90	53	-	-	-	.55	104	4.4	4"
TD-125	1633	120	24	LS	149	110	73	-	-	-	-	.35	104	4.4	5"
	2146	120	38	HS	197	168	133	86	22	-	-	.55	104	4.4	5"
TD-150	1709	120	54	LS	218	193	163	128	105	24	-	.8	140	4.4	6"
	2289	120	65	HS	293	273	250	227	206	131	35	1.15	140	4.4	6"
TD-200	2322	120	139	LS	476	422	373	317	260	40	-	1.38	140	8.8	8"
	2781	120	184	HS	538	495	458	418	367	190	10	1.625	140	8.8	8"
TD-250	2400	115	162	LS	541	475	418	355	295	218	170	2.03	140	19.8	10"
	3200	115	241	HS	754	715	680	640	606	520	405	2.53	140	19.8	10"
TD-315	2000	115	208	LS	751	670	545	420	285	190	130	1.62	140	30.9	12.4"
	2500	115	335	HS	1050	990	932	850	770	600	420	2.95	140	30.9	12.4"
TD-355	1400	115	464	-	1829	1740	1620	1530	1450	1190	-	1.1	140	43	14"
TD-400	1400	115	756	-	2630	2490	2360	2240	2100	1750	350	1.2	140	78	16"

LS= Low Speed
 HS = High Speed



JencoFan, Div. of Soler & Palau Ventilation Group, certifies that the TD range up to size 315 shown herein is licensed to bear the AMCA Seal. The ratings shown are based on tests and procedures performed in accordance with AMCA Publication 211 and comply with the requirements of the AMCA Certified Ratings Program.



COMPLIANT
TITLE 24
 The TD-MIXVENT Models 100, 100x and 150 are California Title 24 compliant and meet ASHRAE 62.2 when installed with a CVC and other TD models are compliant when installed with a 3 way switch and remotely mounted speed control.



TD 250 & 315 are UL listed for outdoor use.

Sound characteristics

Fan sound levels are measured in sones. At this time there are no sone level test standards available through HVI due to the fact that remote mounted fan noise levels are in proportion to the following: type of duct, length of duct, fan distance from the intake source and other miscellaneous factors. However, it is generally accepted that remote mounted venting is usually quieter than standard (in room) venting.



KIT - TD BATHROOM EXHAUST KITS

FEATURING TD-MIXVENT FANS



The TD-MIXVENT fan kits provide all the hardware needed to complete a simple in-line ducted ventilation installation. The kit includes a powerful TD in-line fan and exterior and interior grilles (with or without lights). Available in both Standard Exhaust Kits, for venting a single location, and Deluxe Exhaust Kits, for venting multiple locations with one fan.

The TD-MIXVENT fan kit is the ideal solution for any simple in-line ducted fan installation.

All TD kits have standard 7-year warranty*



Standard Exhaust Kits - Single Vent



KIT-TD100

- 1 TD100 exhaust fan
- 1 plastic round grille (PG-100)
- 1 exterior louvered grille (PER-100W)
- Integral mounting bracket

KIT-TD100x

- 1 TD100x exhaust fan
- 1 plastic round grille (PG-100)
- 1 exterior louvered grille (PER-100W)
- Integral mounting bracket

KIT-TD150

- 1 TD150 exhaust fan
- 1 plastic round grille (PG-150)
- 1 exterior louvered grille (PER-150W)
- Integral mounting bracket

Deluxe Exhaust Kits - Dual Vent



KIT-TD150-DV

- 1 TD150 exhaust fan
- 2 plastic round grilles (PG-150)
- 1 exterior louvered grille (PER-150W)
- 1 Y-fitting (SY-6)
- Integral mounting bracket

IMPORTANT: If venting in an non-insulated attic space, or in a cold climate, insulated flexible duct is strongly recommended for condensation issues.

*Bulbs in Lighted Kits not included in warranty



KIT-TD100XL

- 1 TD100x exhaust fan
- 1 Vent Light with LED Bulb (VLED-100)
- Integral mounting bracket

KIT-TD100XH

- 1 TD100x exhaust fan
- 1 Vent Light with Halogen Bulb (VLH-100)
- Integral mounting bracket

KIT-TD100XF

- 1 TD100x exhaust fan
- 1 Vent Light with Fluorescent Bulb (VLF-100)
- Integral mounting bracket

Lighted Deluxe Exhaust Kits - Dual Vent



KIT-TD150L

- 1 TD150 exhaust fan
- 2 Vent Lights with LED Bulb (VLED-100)
- 1 Y-fitting (SY44-6)
- Integral mounting bracket

KIT-TD150H

- 1 TD150 exhaust fan
- 2 Vent Lights with Halogen Bulb (VLH-100)
- 1 Y-fitting (SY44-6)
- Integral mounting bracket

KIT-TD150F

- 1 TD150 exhaust fan
- 2 Vent Lights with Fluorescent Bulb (VLF-100)
- 1 Y-fitting (SY44-6)
- Integral mounting bracket

MODEL TD-SILENT

EXTREMELY QUIET INLINE MIXED FLOW DUCT FAN



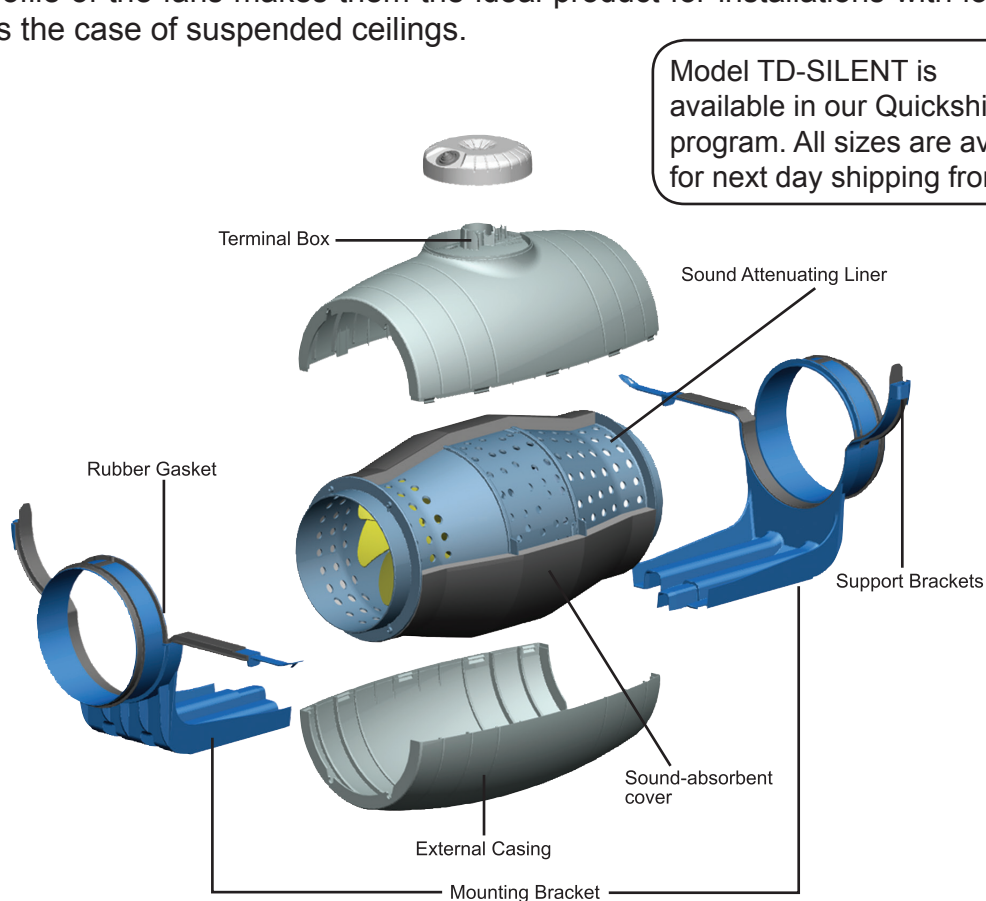
MODEL FEATURES

- Exhaust air up to 530 CFM with static pressure capabilities to 1" w.g.
- Mixed flow impeller for excellent air flow to pressure performance ratio
- Direct connection, two-speed motor
- Ideal for applications where space is limited
- cULus Listed

MODEL OVERVIEW

The TD-SILENT fans as the name suggests, are extremely quiet, low profile "Mixed-flow" fans. Manufactured in plastic material with an external connection box, the body is easily dismantled with a two speed controllable 115V 60Hz motor. Sound waves are directed through the perforated inner skin and absorbed by a layer of sound-absorbent insulation. Plus the TD-SILENT is fitted with rubber gaskets on the inlet and outlet to facilitate installation, absorb vibrations, and provide a virtually air-tight seal.

The TD-SILENTs offer the same simple installation features as the extremely popular TD-MIXVENT fans with an integral mounting bracket, removable body, and a terminal box that can be rotated 360 degrees. The low profile of the fans makes them the ideal product for installations with low height limits, such as the case of suspended ceilings.



Model TD-SILENT is available in our Quickship program. All sizes are available for next day shipping from stock.

5 year fan housing and motor warranty

All specifications are subject to change without notice unless approved in submittal by JencoFan.



CONSTRUCTION/SPECIFICATION CHECKLIST

Construction

The TD-SILENT consists of four (4) nominal sized in-line fans. All models are specifically designed for direct connection in-line with industry standard diameter round ducting.

The TD-SILENT models 100XS (4" or 5"), 150S and 200S are manufactured in tough reinforced plastic. Sound waves are directed through the perforated inner skin and absorbed by a layer of sound-absorbent insulation. Plus the TD-SILENT is fitted with rubber gaskets on the inlet and outlet to absorb vibrations.

Impellers

The impeller blades are molded in tough ABS plastic.

Motors

Models 100XS:

Single-phase, 120V 60Hz, shaded pole induction asynchronous motor in die cast aluminum. All motors include direct two speed connection and are also suitable for voltage speed control.

- Class I electrical insulation
- IP 44 Protection
- Class B Motor Insulation
- Safety auto reset Thermal Overload Protection (fuse type)
- Self-lubricating sleeve bearings.
- Suitable for working airstreams up to 104° F (40°C).

Models 150S and 200S:

Single-phase induction asynchronous motor, with permanent capacitor and external rotor in die cast aluminum. All models include direct two speed connection and are also suitable for voltage speed control.

- Suitable for working airstreams up to 140° F (60°C).
- Class I electrical insulation
- IP 44 Protection
- Thermal Overload Protection
- Class B Motor Insulation
- Sealed For Life, ball bearings

Code Approval

- All models have been independently safety tested by Underwriters Laboratories, Inc. and are UL and cUL Listed.
- Independently tested for Airflow Performance.
- The TD product range is certified by the Home Ventilating Institute (HVI) for Air Performance.
- All models are ENERGY STAR® qualified.

ACCESSORIES



PG
Premium Intake
Grille



BOC/BOR
Interior Air
Valve



MCA
Backdraft
Shutter



MBR
Connector



MAR
Rectangular Duct
Adapter



MRJ
Grille

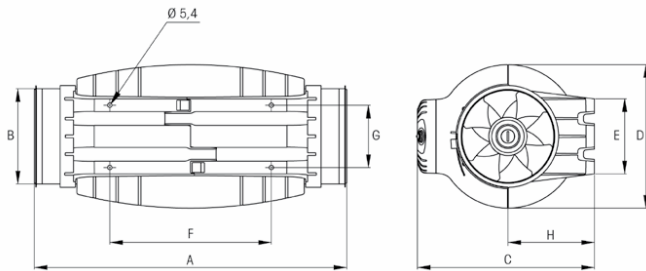


CVC
Continuous
Ventilation Controls



PERFORMANCE/DIMENSIONS

Dimensions (inches/mm)



Model	A	B Ø	C	D Ø	E	F	G	H
TD-100XS	22 ^{5/8}	3 ^{13/16}	9 ^{15/16}	8 ^{1/16}	3 ^{15/16}	9 ^{13/16}	3 ^{1/4}	4 ^{3/4}
TD-150S	19 ^{1/16}	5 ^{13/16}	10 ^{13/16}	8 ^{11/16}	4 ^{9/16}	9 ^{13/16}	3 ^{3/4}	5 ^{1/4}
TD-200S	22 ^{3/8}	7 ^{13/16}	12 ^{7/8}	10 ^{3/8}	5 ^{11/16}	13 ^{11/16}	5 ^{1/16}	6 ^{7/16}

Performance characteristics

All models include a direct two speed motor connection.

Model	Duct Dia. Ins.	Nom. RPM	Volts	Max. Watts	Speed	CFM v Static Pressure (SP) Ins. WG							Max. SP	Max operating temp. (°F)	Wgt. (lbs)
						0"	0.125"	0.25"	0.375"	0.5"	0.75"	1.0"			
TD-100XS	4"	2000	120	21	LS	108	82	48	-	-	-	-	0.4	104	11.9
	4"	2500	120	35	HS	143	121	91	59	23	-	-	0.6	104	
	5"	2000	120	21	LS	147	110	63	-	-	-	-	0.4	104	
	5"	2500	120	36	HS	203	175	138	84	33	-	-	0.6	104	
TD-150S	6"	2200	120	55	LS	239	209	181	154	120	62	-	0.95	140	13.2
	6"	2700	120	65	HS	333	315	286	271	257	178	77	1.2	140	
TD-200S	8"	2000	120	115	LS	409	367	333	306	271	183	46	1.2	140	19.2
	8"	2200	120	122	HS	530	503	472	443	415	349	204	1.2	140	

LS= Low Speed

HS = High Speed



The TD-SILENT Models 100XS and 150S are California Title 24 compliant and meet ASHRAE 62.2 when installed with a CVC and other TD models are compliant when installed with a 3 way switch and remotely mounted speed control.

Sound characteristics

Fan sound levels are measured in sones. At this time there are no sone level test standards available through HVI due to the fact that remote mounted fan noise levels are in proportion to the following: type of duct, length of duct, fan distance from the intake source and other miscellaneous factors. However, it is generally accepted that remote mounted venting is usually quieter than standard (in room) venting.

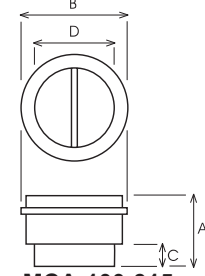


MCA

Backdraft dampers are installed at the fans' discharge. They prevent the entry of odors, air currents and prevent heat leaks when the exhauster is not in operation.

Model	Type TD
MCA-100	100
MCA-125	125
MCA-150	150
MCA-200	200
MCA-250	250
MCA-315	315

Dimensions (inches/mm)



MCA-100-315

Model	A	B	C	D
MCA-100	4 3/16 107	4 3/8 111	1 1/4 31	3 11/16 94
MCA-125	4 3/16 107	5 3/8 136	1 1/4 31	4 11/16 119
MCA-150	4 3/4 121	6 7/16 163	1 3/8 35	5 13/16 147
MCA-200	5 3/16 131	8 7/16 214	1 3/8 35	7 3/4 197
MCA-250	6 3/16 164	10 3/8 264	1 5/8 42	9 3/4 248
MCA-315	8 1/16 205	13 330	1 15/16 50	12 5/16 312

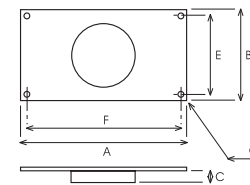


MAR

Connections for rectangular ducts enable TD devices to be connected to a rectangular duct.

Model	Type TD	Nominal dim. of ducting L x H (in/mm)
MAR-100	100	9 x 6 224 x 140
MAR-125	125	9 x 6 224 x 140
MAR-150	150	11 x 7 280 x 180
MAR-200	200	12 x 8 315 x 200
MAR-250	250	16 x 10 400 x 250
MAR-315	315	20 x 12 500 x 315

Dimensions (inches/mm)



Model	A	B	C	E	F	G
MAR-100	10 3/8 264	7 1/16 180	1 5/16 33	6 5/16 160	9 5/8 244	3/8 9
MAR-125	10 3/8 264	7 1/16 180	1 5/16 33	6 5/16 160	9 5/8 244	3/8 9
MAR-150	12 5/8 320	8 11/16 220	1 7/16 37	7 7/8 200	11 13/16 300	3/8 9
MAR-200	14 355	9 7/16 240	1 7/16 37	8 11/16 220	13 3/16 335	3/8 9
MAR-250	17 5/16 440	11 7/16 290	1 5/8 42	10 5/8 270	16 9/16 420	3/8 9
MAR-315	21 1/4 540	14 355	2 1/16 52	14 355	20 1/2 520	3/8 9



MRJ

Grilles fit on the suction and the discharge sides of the installation. They prevent the entry of foreign bodies which could damage the fan.

Model	Type TD
MRJ100	100
MRJ125	125
MRJ150	150
MRJ200	200
MRJ250	250
MRJ315	315



MBR

Flanges enable TD devices to connect in a series.

Model	Type TD
MBR-125	125
MBR-150	150
MBR-200	200
MBR-250	250



TD Bathroom Exhaust Controls - ASHRAE 62.2

CVC - Continuous Ventilation Control



JencoFan's CVC allow a new or existing bath fan to run continuously on a low speed. In conjunction with an JencoFan TD fan a CVC will immediately improve the air quality in the home and reduce the damaging effects of moisture and mold.

The CVCs are designed to meet the requirements of ASHRAE 62.2 and the International Residential Code. In areas where ASHRAE 62.2 is not a requirement the CVC is still an economical choice to improve indoor air quality.

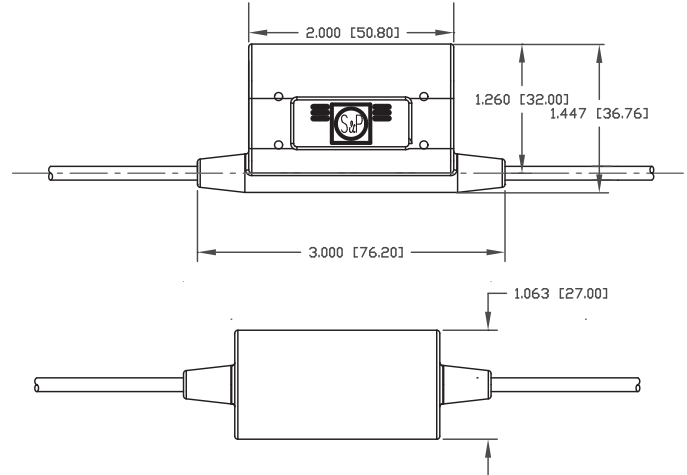
CVC Model	Fan Size	Application	Max. Flow	Continuous Flow @ .25"SP
CVC-100	100	Single Inlet	101 CFM	20 CFM
CVC-100x	100x	Single Inlet	135 CFM	20 CFM
CVC-150	150	Single Inlet	218 CFM	20 CFM
		Dual Inlet	293 CFM	40 CFM



Features

- Reduces remodeling costs, helps meet ASHRAE 62.2 requirements
- Perfect for homes, apartments, dorms, hotels and elderly housing
- Economical and easy to install in your existing wall box
- CVC works with most fan controls, i.e. motion sensors, timers, speed controllers.
- Improves the indoor air quality in your home
- Undetectable, efficient and effective
- Operates with any standard switch
- No programming required
- 120V, 60 Hz, 3A Maximum

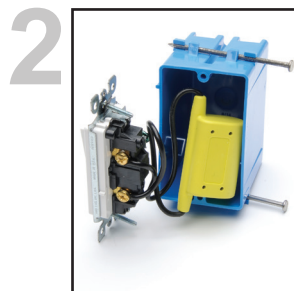
Dimensions in Inches (mm)



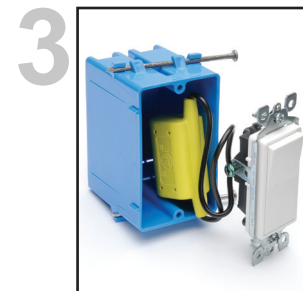
Easy Installation. . .



1 Attaches to any standard wall switch.



2 Simple 2 wire connection across the wall switch and fits into most standard wall/ junction boxes.



3 Completely installed in minutes!

MODEL PV

INLINE CENTRIFUGAL DUCT FAN



MODEL FEATURES

- Exhaust air up to 942 CFM with static pressure capabilities to 1.5" w.g.
- Galvanized steel casing with black baked enamel coating
- Pre-wired junction box
- Ideal for applications where space is limited
- Non-overloading backward inclined wheel for efficiency at higher static pressures
- AMCA Seal for Air Performance
- cULus Listed

MODEL OVERVIEW

The POWERVENT (PV) series of direct drive centrifugal in-line duct ventilation fans consists of twelve model sizes 4", 5", 6", 8", 10" and 12.4" respectively. All models are designed for direct connection in-line with standard diameter round ducting. Airflow performance values range from 108 CFM (PV-100) up to 942 CFM (PV-315x).


All PV fan models incorporate a powerful external rotor motor that has been factory matched to a non-overloading backward curved centrifugal fan wheel.

This powerful combination enables the PV fans to deliver exceptional airflow performances against high static pressure typically found in ducted ventilation systems. All motors within PV fans are fully speed controllable using voltage or frequency control regulators.

The PV series of duct exhaust or supply fans have been specifically designed for simple installation and many years of maintenance free operation. The PV fans can be mounted at any angle and at any point along the duct. The totally enclosed motor design allows the PV fans to operate in high moisture, lint and dust laden air. All models are manufactured with high quality materials and workmanship that is supported by a comprehensive **five (5) year warranty**.

All PV Fans feature a corrosion resistant galvanized steel casing with black baked enamel coating and are supplied with a strong mounting bracket and prewired junction box.

The PV100x fans feature Class F motor insulation.



Model PV is available in our Quickship program. All sizes are available for next day shipping from stock.

5 year fan housing and motor warranty

CONSTRUCTION/SPECIFICATION CHECKLIST

Casing

- Manufactured from high grade pressed galvanized steel, with black baked enamel coating.
- Extra long inlet and discharge collars make installation quick and trouble free.
- Supplied with a strong galvanized steel mounting bracket.
- Supplied with a prewired junction box.

Wheel / Impeller

- Backward curved centrifugal type.
- Factory matched to an external rotor motor and dynamically balanced to eliminate vibration.

Motor

- Totally enclosed permanent split capacitor start and run external rotor motors.
- 115V 60Hz (single phase) electrical connection.
- Permanently sealed, self lubricating precision ball bearings.
- Safety Thermal Overload Protection Cut-Out (Automatic Reset Type).
- All Models are suitable for working airstreams up to 140° F

Code Approval

- All models have been independently safety tested by Underwriters Laboratories, Inc. and are UL and cUL Listed.
- Independently safety tested by Intertek Laboratories, and are ETL Listed.
- Independently tested for Airflow Performance. The PV range is licensed to bear the AMCA seal for Air Performance.

ACCESSORIES



BOC
Interior
Air Valve



CAR
Backdraft
Damper



ACOP-VENT
Antivibrating
coupling



SIL
Sound
Attenuator



PER
Plastic louver
shutter

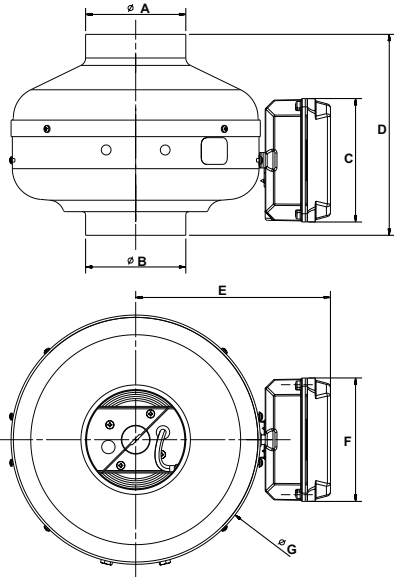


SC 15
Variable speed
control

Please refer to the JencoFan Group A (Residential/Light Commercial) catalog for a complete line of accessories.

PERFORMANCE/DIMENSIONS

Dimensions in inches/mm



Model	A	B	C	D	E	F	G	Weight lbs(kgs)
PV-100	3 ¹³ / ₁₆ 97.5	3 ¹³ / ₁₆ 97.5	4 ³ / ₄ 120	7 ¹¹ / ₁₆ 196	7 ¹ / ₂ 190	4 ³ / ₄ 120	9 ⁹ / ₁₆ 243	7 3.0
PV-100x	3 ¹³ / ₁₆ 97.5	3 ¹³ / ₁₆ 97.5	4 ³ / ₄ 120	7 ¹¹ / ₁₆ 196	7 ¹ / ₂ 190	4 ³ / ₄ 120	9 ⁹ / ₁₆ 243	7 3.0
PV-125	4 ¹³ / ₁₆ 122.5	4 ¹³ / ₁₆ 122.5	4 ³ / ₄ 120	7 ¹³ / ₁₆ 198	7 ¹ / ₂ 190	4 ³ / ₄ 120	9 ⁹ / ₁₆ 243	7 3.0
PV-125x	4 ¹³ / ₁₆ 122.5	4 ¹³ / ₁₆ 122.5	4 ³ / ₄ 120	7 ¹³ / ₁₆ 198	7 ¹ / ₂ 190	4 ³ / ₄ 120	9 ⁹ / ₁₆ 243	7 3.0
PV-150	5 ¹³ / ₁₆ 147	5 ¹³ / ₁₆ 147	4 ³ / ₄ 120	8 ⁷ / ₁₆ 214	9 ⁵ / ₁₆ 236	4 ³ / ₄ 120	13 ¹ / ₈ 334	11 5.0
PV-150x	5 ¹³ / ₁₆ 147	5 ¹³ / ₁₆ 147	4 ³ / ₄ 120	8 ⁷ / ₁₆ 214	9 ⁵ / ₁₆ 236	4 ³ / ₄ 120	13 ¹ / ₈ 334	11 5.0
PV-200	7 ¹³ / ₁₆ 198	7 ¹³ / ₁₆ 198	4 ³ / ₄ 120	8 ³ / ₄ 223	9 ⁵ / ₁₆ 236	4 ³ / ₄ 120	13 ¹ / ₈ 334	11 5.0
PV-200x	7 ¹³ / ₁₆ 198	7 ¹³ / ₁₆ 198	4 ³ / ₄ 120	8 ³ / ₄ 223	9 ⁵ / ₁₆ 236	4 ³ / ₄ 120	13 ¹ / ₈ 334	11 5.0
PV-250	9 ³ / ₄ 248	9 ³ / ₄ 248	4 ³ / ₄ 120	8 ¹ / ₁₆ 205	9 ⁵ / ₁₆ 236	4 ³ / ₄ 120	13 ¹ / ₈ 334	13 6.0
PV-250x	9 ³ / ₄ 248	9 ³ / ₄ 248	4 ³ / ₄ 120	8 ¹ / ₁₆ 205	9 ⁵ / ₁₆ 236	4 ³ / ₄ 120	13 ¹ / ₈ 334	13 6.0
PV-315	12 ⁵ / ₁₆ 312	12 ⁵ / ₁₆ 312	4 ³ / ₄ 120	9 ³ / ₁₆ 233	10 ⁹ / ₁₆ 269	4 ³ / ₄ 120	15 ¹³ / ₁₆ 401	21 10.0
PV-315x	12 ⁵ / ₁₆ 312	12 ⁵ / ₁₆ 312	4 ³ / ₄ 120	9 ³ / ₁₆ 233	10 ⁹ / ₁₆ 269	4 ³ / ₄ 120	15 ¹³ / ₁₆ 401	21 10.0

Air Performance

Model No.	Nom. RPM	Volts	Max. Watts	CFM v Static Pressure (SP) Ins. WG									Max. SP	Duct Dia. Ins.
				0"	0.125"	0.25"	0.375"	0.5"	0.75"	1.0"	1.25"	1.5"		
PV-100	1400	115	57	108	100	92	85	78	66	52	33	18	1.70	4"
PV-100x	2880	115	84	153	142	130	120	111	96	80	63	34	1.85	4"
PV-125	2350	115	58	128	104	85	74	63	47	32	15	-	1.43	5"
PV-125x	2745	115	85	206	190	170	153	135	110	88	62	33	1.77	5"
PV-150	2750	115	78	245	205	177	157	129	93	59	-	-	1.20	6"
PV-150x	2700	115	130	390	367	340	312	285	233	193	153	110	2.05	6"
PV-200	3100	115	130	402	375	350	327	296	239	179	135	85	1.94	8"
PV-200x	2930	115	180	544	515	485	446	415	360	312	273	230	2.64	8"
PV-250	3000	115	170	568	533	502	471	440	370	312	263	221	2.61	10"
PV-250x	3045	115	214	618	595	570	540	510	450	390	340	297	2.80	10"
PV-315	2600	115	170	654	605	570	525	487	408	333	265	203	2.21	12.4"
PV-315x	2650	115	370	942	905	859	811	762	622	508	440	390	3.90	12.4"

Performance certified is for installation type D-Ducted inlet, Ducted outlet. Performance ratings do not include the effects of appurtenances (accessories). Speed (RPM or RPS) shown is nominal. Performance is based on actual speed of test.



JencoFan, Div. of Soler & Palau Ventilation Group, certifies that the PV range shown herein is licensed to bear the AMCA Seal. The ratings shown are based on tests and procedures performed in accordance with AMCA Publication 211 and comply with the requirements of the AMCA Certified Ratings Program.



*PV 150x and larger ENERGY STAR® qualified.



The PV-POWERVENT Series fans are California Title 24 compliant and meet ASHRAE 62.2 when installed with 3 way switch and remotely mounted speed control.

Sound

Fan sound levels are measured in sones. At this time there are no sone level test standards available through HVI due to the fact that remote mounted fan noise levels are in proportion to the following: type of duct, length of duct, fan distance from the intake source and other random factors. It is generally accepted that remote mounted venting is usually quieter than standard (in room) venting.



KIT - PV BATHROOM EXHAUST KITS

FEATURING PV-POWERVENT FANS



JencoFan PV-POWERVENT Series fans are also available as easy-to-install kits. This ultra powerful bathroom fan offers a choice of single or dual vent exhaust. These kits are used for installations that require long or complicated duct runs.

All PV kits have standard 8-year warranty.



PV Deluxe Exhaust Kits



Standard Exhaust Kits



KIT-PV100

- 1 PV100 exhaust fan
- 1 plastic round grille (PG-100)
- Mounting bracket

KIT-PV100x

- 1 PV100x exhaust fan
- 1 plastic round grille (PG-100)
- Mounting bracket

KIT-PV150

- 1 PV150 exhaust fan
- 1 plastic round grille (PG-150)
- Mounting Bracket

KIT-PV100x-DV

- 1 PV100x exhaust fan
- 2 plastic round grilles (PG-100)
- 1 Y-fitting (SY-4)
- Mounting Bracket

KIT-PV150-DV

- 1 PV150 exhaust fan
- 2 plastic round grilles (PG-150)
- 1 Y-fitting (SY-6)
- Mounting Bracket

KIT-PV200-DV

- 1 PV200 exhaust fan
- 2 plastic round grilles (BOR-200)
- 1 Y-fitting (SY-8)
- Mounting Bracket

MODEL SWF

SIDEWALL CENTRIFUGAL FAN

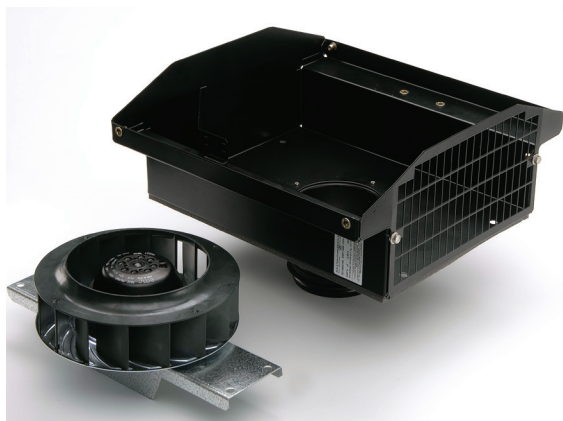


MODEL FEATURES

- Exhaust air up to 416 CFM with static pressure capabilities to 1.5" w.g.
- Galvanized steel casing with black backed enamel coating
- Pre-wired junction box
- Ideal for applications where space is limited
- Non-overloading backward inclined wheel for efficiency at higher static pressures
- cULus Listed

MODEL OVERVIEW

The SWF series utilizes the same powerful (high static) motor found in the popular PV Series fans, yet the SWF series is encased in an exterior mounted housing. The outdoor rated exterior housing provides easy access from the outside of a building or dwelling. This makes the SWF a great solution for installations where attic space or easy indoor access is difficult and not suitable for traditional PV style in-line mounting. The Sidewall Fan Series (SWF) of direct drive centrifugal ventilation fans consists of five model sizes ranging from 4-8". All models are designed for direct connection in-line with standard diameter round ducting. Airflow performance values range from 119 CFM up to 416 CFM.



All SWF series models incorporate a powerful external rotor motor that has been factory matched to a non-overloading backward curved centrifugal fan wheel.

This powerful combination enables the SWF to deliver exceptional airflow performances against high static pressure typically found in ducted ventilation systems. All motors within the SWF series are fully speed controllable using voltage or frequency control regulators.

The SWF series has been designed for easy through the wall installation. The totally enclosed motor design allows for the SWF to operate in high moisture, lint and dust laden

air. All models are manufactured with high quality materials and workmanship that is supported by a comprehensive **five (5) year warranty**.

The SWF series features a corrosion resistant galvanized steel casing with a baked enamel coating that can be painted to match the exterior wall. The unit also includes a built-in backdraft damper and an extended opening exhaust grille. The larger grille allows for the easy exhaust of "dirty" or lint laden air while the spring-loaded backdraft damper helps prevent insects, etc. from entering duct work.



Built-in Spring-loaded Backdraft Damper

Model SWF is available in our Quickship program. All sizes are available for next day shipping from stock.



5 year fan housing and motor warranty

All specifications are subject to change without notice unless approved in submittal by JencoFan.

CONSTRUCTION/SPECIFICATION CHECKLIST

Casing

- Manufactured from high grade pressed galvanized steel, with baked enamel coating.
- Removable top for easy access to motor for cleaning or inspection.
- Large grille opening for easy passing of lint and other potentially clogging materials.
- Supplied with a prewired junction box.

Wheel / Impeller

- Backward curved centrifugal type.
- Factory matched to an external rotor motor and dynamically balanced to eliminate vibration.

Motor

- Totally enclosed permanent split capacitor start and run external rotor motors.
- 115V 60Hz (single phase) electrical connection.
- Permanently sealed, self lubricating precision ball bearings.
- Safety Thermal Overload Protection Cut-Out (Automatic Reset Type).
- All Models are suitable for working airstreams up to 140° F

Code Approval

- All models have been independently safety tested by Underwriters Laboratories, Inc. and are UL and cUL Listed.
- The SWF product range is certified by the Home Ventilating Institute (HVI) for Air Performance.

ACCESSORIES

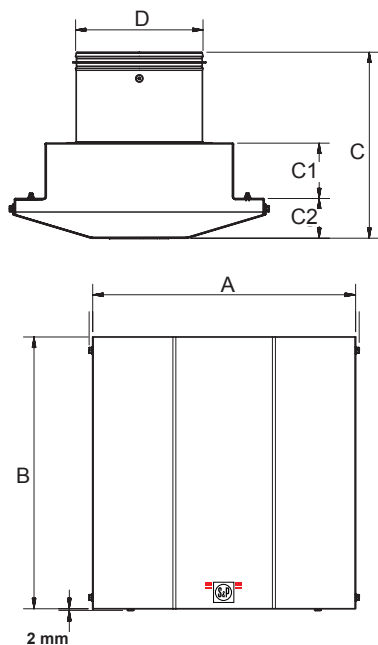


Please refer to the JencoFan Group A (Residential/Light Commercial) catalog for a complete line of accessories.



PERFORMANCE/DIMENSIONS

Dimensions in inches/mm



Model	A	B	C	C1	C2	D
SWF-100	13 1/4 337	13 1/4 337	9 228	3 76	2 7/16 62	4 100
SWF-100x	13 1/4 337	13 1/4 337	9 228	3 76	2 7/16 62	4 100
SWF-150	15 1/2 394	13 1/4 337	10 3/16 256	3 76	2 7/16 62	6 150
SWF-150x	15 1/2 394	16 1/16 408	10 254	3 3/16 81	2 7/16 62	6 150
SWF-200	15 1/2 394	16 1/16 408	11 7/16 290	3 3/8 87	2 7/16 62	8 200

Air Performance

Model	RPM	Volts	Frequency	Current	Watts	CFM vs. Static Pressure (SP) Ins. WG								
						0"	0.125"	0.25"	0.375"	0.5"	0.75"	1.0"	1.25"	1.5"
SWF-100	2200	120	60 Hz	0.52 A	57	119	106	92	78	64	44	26	-	-
SWF-100X	2600	120	60 Hz	0.8 A	90	171	162	152	142	118	90	66	46	28
SWF-150	2600	120	60 Hz	0.8 A	90	235	221	197	181	168	122	81	60	27
SWF-150X	2800	120	60 Hz	1.0 A	115	354	332	310	287	266	230	192	147	96
SWF-200	2800	120	60 Hz	1.0 A	115	416	395	368	341	324	287	233	184	132



Sound

Fan sound levels are measured in sones. At this time there are no sone level test standards available through HVI due to the fact that remote mounted fan noise levels are in proportion to the following: type of duct, length of duct, fan distance from the intake source and other random factors. It is generally accepted that remote mounted venting is quieter than standard (in room) venting.



BATHROOM EXHAUST GRILLES FOR INLINE FANS

Featuring Vent Lights and Premium Grilles

JencoFan's Grille Options give you the choice of seven (7) aesthetically pleasing grilles designed to match any bathroom decor. You can choose from our Vent Lights, Premium Grilles or Adjustable Grilles to fit your needs.

These grilles are designed to be used exclusively with one of JencoFan's remotely mounted inline fans (TD, PV, SWF) for virtually silent bathroom ventilation. Inline fans give you the option to mount your grille over the shower, toilet, tub, or in multiple locations (dual vent).

With JencoFan's Grille Options the choice is yours!

Vent Lights

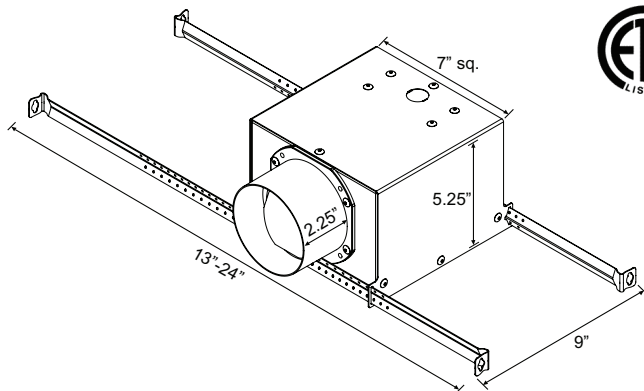
Available with LED Bulbs



JencoFan's new Vent Lights give you ventilation that is "Out-of-Sight and Out-of-Mind"! The Vent Lights appear to be a regular can light, and when combined with a remotely mounted fan, the noise and unsightly look of the traditional bathroom fan are gone! The Vent Lights are aesthetically pleasing grilles with lights that will match any bathroom decor.

Model	Description
VLED-100	Vent Light with PAR30 LED Bulb
VLH-100	Vent Light with PAR30 Halogen Bulb
VLF-100	Vent Light with Energy Star Rated Compact Fluorescent Bulb

Dimensions (inches)



Features:

- Longer duct collar for 4" duct
- Extendable hanger bars up to 24"
- 7.5" grille
- Built-in backdraft damper
- 3 bulb options

Why Choose the Vent Light with LED Bulbs?

JencoFan's respect for the environment extends to its Vent Lights with the optional LED Bulb. The benefits to the LED Bulbs include:

- Built to last a minimum of 60,000 hours, plus the LED's use a fraction of the energy that a traditional incandescent or halogen lamp uses
- LED's contain no mercury so they are easy to dispose of, unlike other energy efficient bulbs
- The LED lamps run cool and are shock resistant, making them safer for use in your home



Premium Grilles

PG



JencoFan's premium grilles come standard with steel collars for easy mounting and installation.

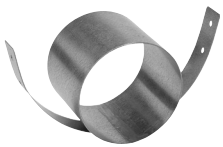
Model	Description
PG-100	4" Plastic Grille with 4" Steel Collar
PG-150	6" Plastic Grille with 6" Steel Collar

Grille Dimensions (in inches)



Grille	Dia.	Height	Fits Duct Dia.	Fits Collars
PG-150G	8 1/8	1 5/8	6"	PG-150D
PG-100G	4 5/8	1 1/2	4"	PG-100D

Collar Dimensions (in inches)



Collar	Diameter	Length
PG-100D	3 3/4	3 1/4
PG-150D	5 3/4	4 5/8

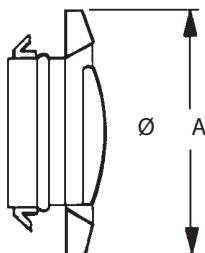
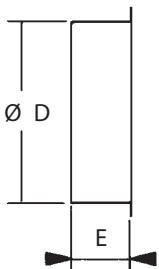
PG Collar

Adjustable Grilles

BOR/BOC



Exhaust grilles for bathrooms, toilets and other small rooms. All models offer an adjustable central valve to regulate the airflow.



Model	A	D	E	Weight (lbs)
BOR/BOC-100	145	100	50	1
BOR/BOC-125	145	125	50	1
BOR/BOC-150	204	160	50	1
BOR/BOC-200	244	200	50	1



ADDITIONAL GENERAL ASSEMBLY ACCESSORIES



BOR/BOC
Round plastic/metal
adjustable grille



PG
Round grille without built-in
backdraft damper



MBR
Connection Flanges



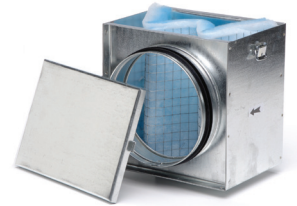
PER-W
Plastic louver shutter



PER
High pressure aluminum
louver shutter



GRA
Aluminum exterior
fixed grilles



MFL
Filtering Box



SR
Reducer



SY
Y sheet metal adapter



ID
Flexible round duct

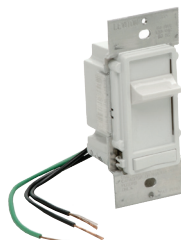


SIL
Acoustic attenuators

Electrical accessories



EPBT
Electronic push button timer



SCS
Speed control slide type



SC
Speed control

KIT - CLOTHES DRYER BOOSTING KITS

FEATURING PV-100x FANS

If you have a dryer with long or complicated duct runs, JencoFan offers the perfect solution to increase dryer efficiency: the PV100x Dryer Booster Fan. The PV100x has been specifically designed to handle dryer boosting applications when overcoming long or complicated duct runs. This system helps save on drying time, moisture build-up, wear and tear on your dryer, and helps save on your electric bill. The centrifugal blade design is able to overcome extreme resistance from the most challenging installations. The PV-100x offers a fully enclosed motor, which ensures a long, trouble free life; thus making it the right choice for enhancing the performance of your clothes dryer.

The PV-100x fan is available separately or as part of a kit that includes everything necessary for a hands-free operation. Once the system is installed you will no longer waste time, energy or unnecessary wear and tear on your dryer. The next step is to select which activation best fits your needs.

How to activate the PV-100x fan for clothes dryer boosting



NOTE
The PV-100x Dryer Booster fan is suitable for use with duct runs of up to 105 linear feet of 4" rigid duct or a maximum of 6 elbows and 80 feet.



PV-100xps

Pressure Switches

Pressure switches are a viable method of fan activation and a good solution for many installations. The pressure switch senses the pressure differential in the duct created by the dryer operation, thus activating the fan. Conversely, when the dryer is deactivated, the pressure switch senses this differential and the fan is deactivated. JencoFan's PV-100xps utilizes a compact pressure sensor and run timer enclosed within the junction box and mounted to the fan housing. The pressure sensor is also available as an accessory.



DBF-100xc

Current Sensors

Current sensors are JencoFan's "preferred" method of activation. They are "fail-safe", as there is no maintenance required on the current sensor and they're easy to install. The current sensing device can be installed at the outlet (where the dryer plugs into the wall) or at the circuit breaker box. When the device senses current going to the dryer, it activates the fan and vice-versa. No thought! No maintenance! Our choice!



IL-115/230

Interlocks

Interlocks, like Current Sensors, are another "fail-safe" method of clothes dryer booster activation. The interlocks senses when the fan is running and activates the dryer. Used as a safety feature, if the fan is not running or if there is a problem with the fan the dryer will not turn on.

All 3 activation methods are available as accessories or in the JencoFan's all inclusive dryer booster kits.



SWF - Sidewall Mount Exhaust Fan for Dryer Boosting



The sidewall unit can be paired with a current sensor or pressure switch when interior duct access in a home, apartment or townhouse is limited or difficult. The expanded exhaust grille allows for the easy passing of lint laden air. The SWF utilizes the same powerful motor as the PV-100x and is also suitable for duct runs up to 105 feet or up to 80 feet with 6 elbows. The low profile SWF fan is easy to install with an epoxy coating that can be painted to match the exterior of the building. The SWF also offers the same trusted 5 year warranty.



MODEL PC

CEILING MOUNT BATHROOM FAN



Features & Construction

- Extremely quiet operation <0.3 to 1.1 Sones
- 80-150 CFM
- Motors operate with the lowest heat build up for long life even when run continuously - 5 year warranty
- PC50 features 4" duct connectors
- PC80X & 110X feature both 4 and 6" duct connectors
- PC150 features 6" duct connectors
- Built-in backdraft damper
- Robust steel housing
- Internal electrical wiring box
- Attractive, sturdy grille
- Thermally protected motor
- ETL Listed
- HVI Certified
- PC80X, 110X & 150 are ENERGY STAR® qualified

Performance

Model	Duct Size	CFM	Static Pressure (in W.G.)	Energy Efficiency (CFM/Watts)*	Watts	Power (V/Hz)	Sones	Amps	ENERGY STAR
PC50	4"	50/31	0.1/0.25	3.1	16	120/60	0.6	.13	No
PC80X	4"	80/58	0.1/0.25	3.0	32	120/60	0.4	.27	Yes
	6"	80/63					<0.3		
PC110X	4"	96/70	0.1/0.25	3.2	36	120/60	1.1	.30	Yes
	6"	110/87					0.6		
PC150	6"	150/110	0.1/0.25	3.8	41	120/60	1.1	.34	Yes

* Energy Star qualified data based on tested air flow and power consumption.



Dimensions

Model	Duct Dia.	Grille Size (Sq. in inches)	Cabinet Size (in Inches)			Unit Wgt. (lbs)
			W	D	H	
PC50	4"	10-1/4 x 10-1/2	9	9	5-3/4	6
PC80X	4 & 6"	13 x 14	11-3/8	10-1/2	7-5/8	8
PC110X	4 & 6"	13 x 14	11-3/8	10-1/2	7-5/8	9
PC150	6"	13 x 14	11-3/8	10-1/2	7-5/8	9

PC Options Overview

The simplicity of JencoFan’s Premium CHOICE Series comes in the options. While other premium bath fans come as lighted fans, speed control, motion sensor or humidity sensor built in, our Premium Choice bath fans give you the flexibility to choose your grille and control separately. Our fans even allow you to change your mind after you install them!

Use the chart below to determine the options available with each Premium Choice Fan:

Option	Premium Choice Fan			
	PC50	PC80X	PC110X	PC150
	With Standard Grille			
Intermittent High Speed	✓	✓	✓	✓
Continuous 62.2 Speed Only	✓	✓	✓	✓
Continuous 62.2 Speed, Intermittent High Speed	✓	✓	✓	✓
Intermittent Reduced Speed	✓	✓	✓	✓
Humidity Sensing Only	✓	✓	✓	✓
Humidity Sensing and Intermittent High Speed	✓	✓	✓	✓
Contractor Pack		✓	✓	
	With Optional Lighted (CFL or LED) Grille Kit			
Intermittent High Speed		✓	✓	✓
Continuous 62.2 Speed Only		✓	✓	✓
Continuous 62.2 Speed, Intermittent High Speed		✓	✓	✓
Intermittent Reduced Speed		✓	✓	✓
Humidity Sensing Only		✓	✓	✓
Humidity Sensing and Intermittent High Speed		✓	✓	✓

PCLK - Premium CHOICE Series Light Kits

Grille Light Kits

JencoFan offers Premium Choice Series Light Kits with CFL bulbs or LED lights so you can choose a fan with lights now or later. These kits fit the PC80X, 110X, 150 and PCD110H. The CFL lighted grilles (PCLK) come standard with a 13 watt GU24 fluorescent bulb and a 4 watt night light. The LED lighted grilles (PCLEDK) come standard with an 11 Watt LED light and a 2 Watt LED night light setting.



PCMK - Premium CHOICE Series Motion Kits

Motion Sensing Grille Kits

JencoFan offers Premium Choice Series Motion Sensing Kits so you can have worry free bathroom ventilation. This kit fits the PC80X, 110X & 150. The motion sensing grille includes a motion sensor, a speed control and a LED night light.





PC CONTROLS

Humidity Sensor (PCHS)

Using a PC fan with JencoFan's humidity sensing control is a worry free solution to fighting excess humidity and possible mold problems. The sensor easily mounts inside the fan housing utilizing 2 pre-drilled holes and a standard receptacle. With the sensor at ceiling level it detects rapid increases in moisture where steam and humidity naturally rise, and automatically turns on the fan. The humidity sensor features an automatic shut off to save worry and money. The humidity sensor is the perfect solution to "fit & forget" the bath fan, especially in high traffic bathrooms, kids' bathrooms, or households on-the-go that must leave the house without properly venting humidity. JencoFan's PC fan with optional Humidity Sensor helps prevent cosmetic and possible mold issues associated with excess moisture.

- Detects rapid rise in humidity
- Simple plug into receptacle in fan housing
- Auto-shut off timer
- Accessible sensitivity adjustment
- Humidity is sensed at the ceiling
- Can be installed with new fan or as an add-on later if needed

Speed Control (PCSC)

Using a PC fan with JencoFan's speed control is simple solution to for intermittent and continuous ventilation. The sensor easily mounts inside the fan housing utilizing 2 pre-drilled holes and a standard receptacle.

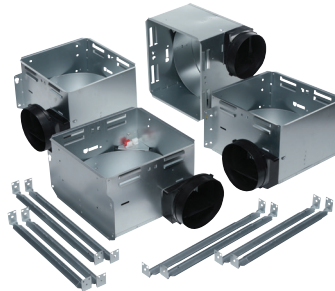
- Simple plug into receptacle in fan housing
- Accessible speed adjustment
- Can be installed with new fan or as an add-on later if needed
- Allows for adjustable continuous speed for ASHRAE 62.2
- High speed override



PC CONTRACTOR PACKS

For simple installation, PC80X and PC110X are available as 4 packs with the fan housings ready for installation first, then after the drywall and painting are complete the motor and grilles are available to finish the job. The housing kit includes the housing and hanger bars, while the finish kit includes the motor plate, motor, wheel and grille.

Contractor packs can be ordered with the PCLK Lighted Kits to make a lighted fan pack or PCMK Motion Sensing Kits to make a motion sensing fan pack (order 4 grille packs with the Motor & Grille pack).



Housing Pack



Motor & Grille Pack

Pack Part #	Description
PCH	PC80X & PC110X Contractor Pack Housings (4 pk)
PC80F	PC80X Contractor Pack Motor and Grille (4 pack)
PC110F	PC110X Contractor Pack Motor and Grille (4 pk)

ADDITIONAL PC ACCESSORIES

3-Switch Controls (PC3S)

The PC3S allows you to control three (3) features of a PC fan with one switch. Designed for PC fans with Grille Option and Plug & Play Control.



Additional Accessory CHOICES

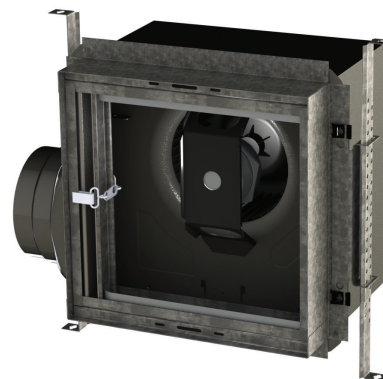
4" duct collar: PCDC4

6" duct collar: PCDC6

Metal Grille: PCMG

Radiation Damper (PCRD)

- 3-hour rating ceiling radiation dampers
- UL Listed Link (165°F Standard)
- UL Approved flexible fire blanket
- Ceramic fiber with fiberglass cover
- Roll-formed frame 22 g. galvanized steel



MODELS PCD110M & PCD110H

CEILING MOUNT BATHROOM FANS WITH DC MOTOR

Features and Construction

- Extremely quiet operation 0.5 Sones
- Brushless DC Motor for long life - rated for 60,000 hours continuous on
- PCD110M has a built-in motion sensor and LED night light
- PCD110H has a built-in humidity sensor
- High/Low speed delay timer
- Built-in backdraft damper
- Robust steel housing
- Attractive, sturdy grille
- ETL Listed
- ENERGY STAR® qualified
- HVI Certified
- 6 year warranty on DC Motor, 5 year warranty on balance of unit



Performance and Dimensions

PCD110M & PCD110H					
CFM @ 0.1" SP	4" Duct	80	90	110	120
	6" Duct	90	110	120	140
CFM @ 0.25" SP	4" Duct	50	63	77	87
	6" Duct	64	77	89	100
Sones @ 0.1" SP	4" Duct	0.7	0.7	1.0	1.2
	6" Duct	0.3	0.5	0.8	1.1
Watts @ 0.1" SP	4" Duct	5.5	7	11.5	13
	6" Duct	5.5	10	11.5	14.5
Energy Efficiency (CFM/Watt)	4" Duct	14.5	12.9	9.6	9.2
	6" Duct	16.4	11	10.4	9.7
Amps		.16	.18	.22	.23
ENERGY STAR Qualified	Yes				
Duct Connector Diameter (in)	4" or 6"				
Grille Size (in)	13" x 14"				
Dimensions (w x d x h) (in)	11-3/8" x 10-1/2" x 7-5/8"				

You CHOOSE Your Airflow!

The built-in **Toggle Switches** and duct connector options allow you to set the PCD110M & PCD110H to the needed airflow.

Switch position								
Airflow (CFM)	80	90	110	120	90	110	120	140
Duct diameter (inches)	4"	4"	4"	4"	6"	6"	6"	6"

1 & 2: Airflow • 3: Duct size
Factory setting is 110 CFM with 6" duct

Integrated Controls



MODEL PCLP

LOW PROFILE CEILING MOUNT BATHROOM FANS

Features & Construction

- Low profile housing design
- Suitable for wall and ceiling installations
- Quiet operation <0.4 to 2.0 Sones
- Totally enclosed condenser motor for long life
- Motor rated for 30,000 hours continuous on
- Built-in backdraft damper
- Robust steel housing
- Attractive, sturdy grille
- ETL Listed
- ENERGY STAR® qualified
- HVI Certified
- 5-year warranty



Performance and Dimensions

	PCLP50	PCLP80	PCLP100
CFM @ 0.1/0.25" SP	50	80	100
Sones	0.4	1.2	2.0
Watts	25	25	25
Energy Efficiency (CFMs/Watts)	2.0	3.2	4.0
Amps	.35	.35	.40
ENERGY STAR® Qualified	Yes	Yes	Yes
Duct Connector Diameter (in)	4" Oval		
Grille Size (in)	13" x 14"		
Dimensions (w x d x h) (in)	10-1/4" x 10-1/4" x 3-3/4"		
Bathroom Size (up to ft ²)	45	75	95

PCLP - LOW PROFILE PREMIUM CHOICE SERIES LED LIGHT KITS

LED Grille Lights

JencoFan offers Premium Choice Series Light Kits with LED lights for the PCLP models so you can choose a fan with lights now or later. This kit (PCLPLEDK) fits the PCLP50, 80, and 100. The LED lighted grilles come standard with an 11 Watt LED light and a 2 Watt LED night light setting.

PCLP - LOW PROFILE PREMIUM CHOICE SERIES CONTROLS

Humidity Sensor (PCLPHS)

Using a PCLP fan with JencoFan's humidity sensing control is a worry free solution to fighting excess humidity and possible mold problems. The sensor easily mounts inside the fan housing utilizing 1 pre-drilled hole and a standard receptacle. With the sensor at ceiling level it detects rapid increases in moisture where steam and humidity naturally rise, and automatically turns on the fan. The humidity sensor features an automatic shut off to save worry and money. The humidity sensor is the perfect solution to "fit & forget" the bath fan, especially in high traffic bathrooms, kids' bathrooms, or households on-the-go that must leave the house without properly venting humidity. JencoFan's PCLP fan with optional Humidity Sensor helps prevent cosmetic and possible mold issues associated with excess moisture.

- Detects rapid rise in humidity
- Simple plug into receptacle in fan housing
- Auto-shut off timer
- Accessible sensitivity adjustment
- Humidity is sensed at the ceiling
- Can be installed with new fan or as an add-on later if needed

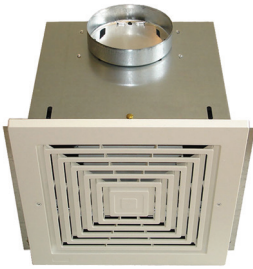
Speed Control (PCLPSC)

Using a PCLP fan with JencoFan's speed control is simple solution to for intermittent and continuous ventilation. The sensor easily mounts inside the fan housing utilizing 1 pre-drilled hole and a standard receptacle.

- Simple plug into receptacle in fan housing
- Accessible speed adjustment
- Can be installed with new fan or as an add-on later if needed
- Allows for adjustable continuous speed for ASHRAE 62.2
- High speed override

MODELS FF & FFC

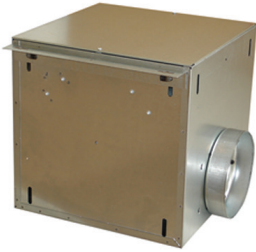
CEILING AND INLINE/CABINET VENTILATORS



Model FF

MODEL FF FEATURES

- Exhaust air up to 1500 CFM
- Forward curve centrifugal wheel for high static pressure capabilities to 1" w.g.
- Resilient mount, low RPM motor for quiet operation (except FF50 and FF80)
- Speed controllable
- AMCA Seal for Air Performance
- cULus Listed (except FF50 & FF80 which are UL only)



Model FFC

MODEL FFC FEATURES

- Exhaust air up to 3600 CFM
- Forward curve centrifugal wheel for high static pressure capabilities to 1" w.g.
- Resilient mount, low RPM motor for quiet operation
- Speed controllable
- AMCA Seal for Air Performance
- cULus Listed

MODEL OVERVIEW

The extremely quiet FF and FFC ventilators are available from 50 to 3600 CFM, with static pressure capabilities to 1". All units have centrifugal blower wheels and low RPM motors on resilient mounts (except FF50 and FF80).

The forward curved centrifugal wheel with its high static pressure capability makes these ventilators suitable for either ducted or nonducted applications. They include removable blower assemblies and plug-in permanently lubricated motors for ease of servicing and cleaning.

Models FF and FFC are available in our Quickship program. All sizes (excludes FFC3500) are available for next day shipping from stock.



1 year fan housing warranty, 1 year motor warranty



CONSTRUCTION/SPECIFICATION CHECKLIST

Grille

- Conceals interior.
- Low profile styling, blends with any decor.
- White polymeric (FF50 - FF300).
- Metal finished with white enamel finish (FF400-FF1500).

Blower

- Low RPM for quiet operation, speed controllable.
- Resilient anti-vibration mounts (FF50 & FF80 rigid mount).
- Balanced, polymeric, centrifugal blower wheel for quiet, efficient performance. (Metal wheel on FFC2000 & FFC3500).
- Permanently lubricated, thermally protected motor.
- Plug-in motor.
- Designed for continuous operation.

Housing

- Rugged, 20 gauge galvanized steel.
- Duct connector.
- 1/2" acoustic insulation inside (except FF50, FF80 & FFC's).
- Integral automatic backdraft damper.
- Easy inline conversion available (FF100-FF1500).
- May be installed in ceiling or wall.
- Mounting brackets for easy installation and adaptability to numerous mounting requirements.
- Factory-shipped in horizontal discharge position, easily converted to vertical discharge.
- FFC inline units have a removable panel which allows for easy motor access without disturbing ductwork.

AMCA Seal

- AMCA Air and Sound Licensed

UL Label

- cULus listed (except FF50 & FF80 which are UL only).



OPTIONS/ACCESSORIES

Roof Cap and Wall Cap

- Weather resistant duct termination.

Inline Adapter Kit

- Converts FF units into inline units.
- Available for FF100 through FF1500

Radiation Damper

- UL rated for use in 1, 2, or 3 hour rated floor-ceiling, roof-ceiling design.
- Mounts directly to the fan, screws provided.
- Galvanized steel frame.
- High temperature, non-asbestos, reinforced fiber thermal fabric.
- 212°F fusible link.
- Stainless steel negator-type closure spring.
- Available for FF100 through FF1500.

Metal Grille Kit

- White enamel painted steel.
- Mounting screws included.

Duct Transition

- Allows for quick transition to round ducting.
- Galvanized steel construction.

Vibration Dampening Hangers

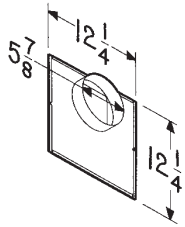
- Rubber in shear.
- Heavy-gauge steel construction with neoprene vibration dampening cushion.
- For use with 3/8" threaded rod (by others).

Damper Kit (for FFC 2000 and FFC 3500)

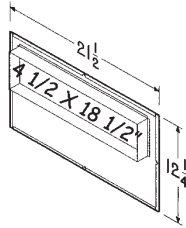
- Twin damper flaps and mounting hardware.
- Foam cushion and magnetic catch assure quiet backdraft prevention.



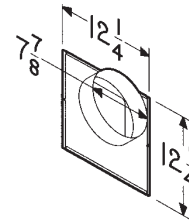
OPTIONS/ACCESSORIES (cont.)



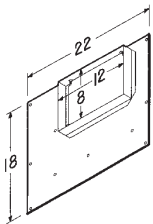
- 961L In-Line Adaptor Kit**
- Galvanized steel
 - Fits FF100 & FF150
 - For 6" round duct intake



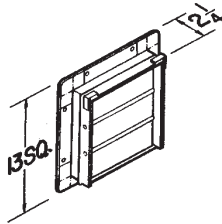
- 982L In-Line Adaptor Kit**
- Galvanized steel
 - Fits FF400, FF500 & FF700
 - 4 1/2 x 18 1/2" duct intake



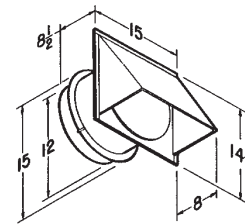
- 981L In-Line Adaptor Kit**
- Galvanized steel
 - Fits FF200, FF250 & FF300
 - For 8" round duct intake



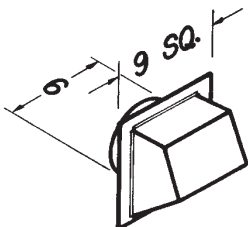
- 983 In-Line Adaptor Kit**
- Galvanized steel
 - Fits FF900 & FF1500
 - 8" x 12" round duct intake



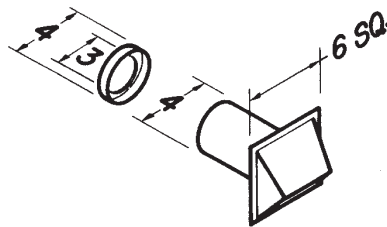
- Model 441 Wall Cap**
- Gravity dampers
 - Collar with birdscreen for attaching 10" round duct
 - Steel construction with aluminum louvers



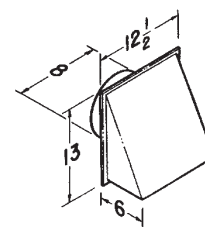
- Model 613 Wall Cap**
- High Capacity
 - Built-in backdraft damper & birdscreen
 - Aluminum natural finish
 - For 12" round duct



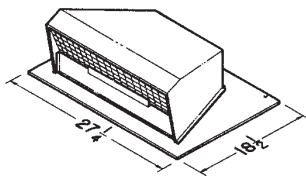
- Model 641 Wall Cap**
- Aluminum natural finish
 - Built-in backdraft damper & birdscreen
 - For 6" round duct



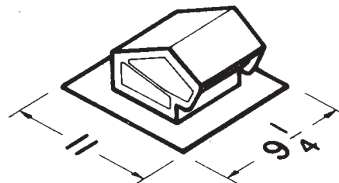
- Model 642 Wall Cap**
- Aluminum natural finish
 - Built-in backdraft damper & birdscreen
 - For 3" or 4" round duct (4" to 3" transition included)



- Model 643 Wall Cap**
- Aluminum natural finish
 - Built-in backdraft damper
 - For 8" round duct

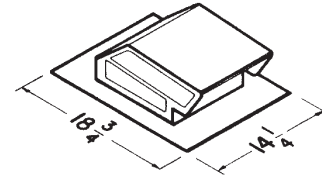


- Model 437 Roof Cap**
- High capacity design - up to 1200 CFM
 - Built-in birdscreen
 - Steel, black electrically - bonded epoxy finish



- Model 636 Roof Cap**
- Black electrically - bonded epoxy finish
 - Built-in backdraft damper & birdscreen
 - For 3" or 4" round duct

Model 636AL - Aluminum

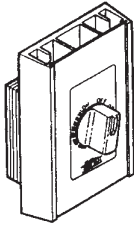


- Model 634 Roof Cap**
- Black electrically - bonded epoxy finish
 - Built-in backdraft damper & birdscreen
 - For 3 1/4" x 10" or up to 8" round duct

Model 644 - Aluminum

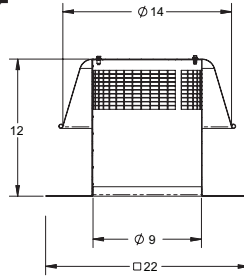


OPTIONS/ACCESSORIES (cont.)



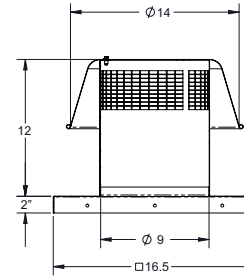
Speed Control

- Adjust speed from 100 to 50%
- 5 amp & 10 amp - 120V
- 6 amp - 240V
- 6 amp - 277V



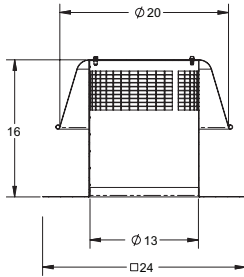
Model RCXIIISF08 Flat Roof Cap

- For flat roof installation
- Spun Aluminum - natural finish
- Built-in birdscreen
- For up to 8" round duct



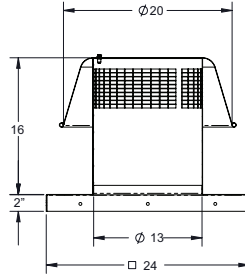
Model RCXII08 Curb Mount Roof Cap

- For curb mount installation
- Use 14-3/4" x 14-3/4" x 8" high curb
- Spun Aluminum - natural finish
- Built-in birdscreen
- For up to 8" round duct



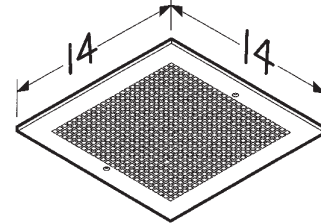
Model RCXIIISF12 Flat Roof Cap

- For flat roof installation
- Spun Aluminum - natural finish
- Built-in birdscreen
- For up to 12" round duct



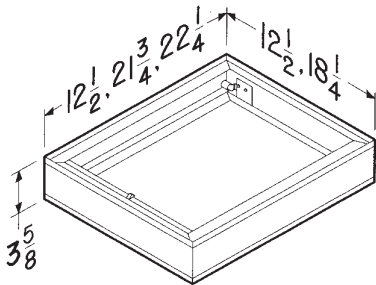
Model RCXII12 Curb Mount Roof Cap

- For curb mount installation
- Use 22-1/4" x 22-1/4" x 8" high curb.
- Spun Aluminum - natural finish
- Built-in birdscreen
- For up to 12" round duct



Model MG 1 Metal Grille Kit

- White enamel painted steel
- Mounting screws included
- Fits FF100, FF150, FF200, FF250 & FF300

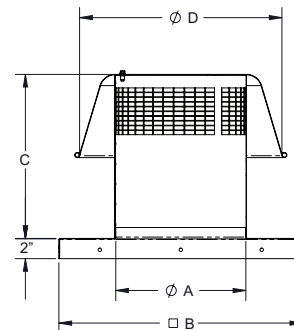
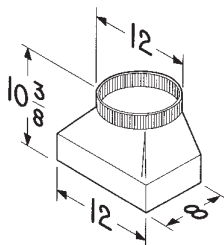
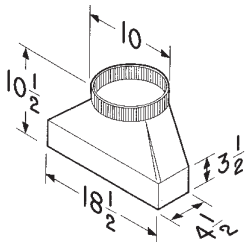


Models RD1, RD2 & RD3 Radiation Dampers

- UL rated for use in 1, 2 or 3 hour rated floor-ceiling, roof-ceiling design
- Galvanized steel frame
- High temperature, non-asbestos, reinforced fiber thermal fabric
- 212°F fusible link
- Stainless steel negator-type closure spring
- RD1 (12 1/4" x 12 1/4") fits FF100 - FF300
- RD2 (21 1/2" x 18") fits FF400 - FF700
- RD3 (22" x 18") fits FF900 - FF1500

Models 423 & T81212 Duct Transitions

- Galvanized steel
- Allows for quick transition to easy-to-obtain-and-install round ducting
- 423 (4 1/2" x 18" to 10 round) for use with FF400 thru FF700
- T81212 (8" x 12" to 12" round) for use with FF900 and FF1500



Model RCXII - 18" and 20" units

Size	A	B	C	D
18	19	29.5	22	27
20	21	29.5	22	30



OPTIONAL ACCESSORY COMPATIBILITY CHART

VARIABLE SPEED CONTROLS	CEILING MOUNT MODEL FF							IN-LINE/CABINET MODEL FFC						
	FF50 FF80	FF100 FF150	FF200 FF250 FF300	FF400 FF500	FF700	FF900	FF1500	FFC100 FFC150	FFC200 FFC250 FFC300	FFC400 FFC500 FFC700	FFC900	FFC1500	FFC2000	FFC3500
2727.1 (5 AMP 120V)	X	X	X	X			X	X						
2828.1 (10AMP 120V)		X	X	X	X	X	X	X	X	X	X	X	X	
80L in-unit speed control (3 amp 120 Volt) Ships separately for field mounting		X	X	X	X	X		X	X	X	X			
75V (240V)		X	X	X	X	X								X
277V (277V)		X	X	X	X	X	X							
ROOF CAPS														
437				X	X					X				
RCXII08, RCXIISF08	X	X	X					X	X					
RCXII12, RCXIISF12				X	X	X	X			X	X	X	X	
634M		X						X						
634,644		X	X					X	X					
636, 636AL	X													
RCXII18													X	
RCXII20														X
WALL CAPS														
441				X	X					X				
613						X	X				X	X		
641		X						X						
642	X													
643			X						X					
IN-LINE ADAPTERS														
961L		X												
981L			X											
982L				X	X									
983L						X	X							
UL RADIATION DAMPERS														
RD1		X	X											
RD2				X	X									
RD3						X	X							
METAL Grille KIT														
G102													X	
G103														X
MG1		X	X											
DUCT TRANSITIONS														
423				X	X					X				
T81212						X	X				X	X		
DAMPER KITS														
D100													X	
D101														X
VIBRATION DAMPENING HANGERS (4)														
V102	X	X	X	X	X	X	X	X	X	X	X	X		
V104		X	X	X	X	X	X	X	X	X	X	X	X	X



MODEL FF PERFORMANCE

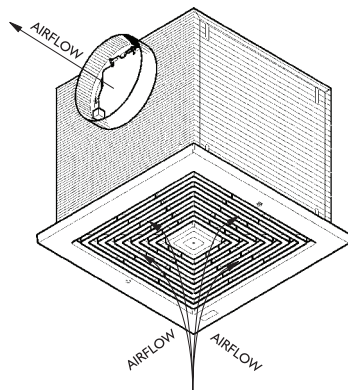
FF CEILING VENTILATORS

MODEL FF	CFM / Sones at Static Pressure (PS - Inches of H ₂ O)										AMPS @ 60HZ/ WATTS	RPM @ 1/8	Voltage	Average Ship Wt. Lbs
	0	1/10	1/8	1/4	3/8	1/2	5/8	3/4	7/8	1				
100	136	115	109	93	80	65	44	-	-	-	1.1/87	640	120	23
	0.5	0.8	0.9	1.3	1.8	2.3	3.0	-	-	-				
150	181	161	157	141	132	124	114	94	62	-	1.3/100	710	120	23
	1.3	1.4	1.5	2.2	2.6	3.1	3.6	4.1	4.6	-				
200	231	214	210	196	186	177	165	144	113	51	1.8/127	740	120	23
	1.6	1.8	1.7	2.3	2.9	3.5	4.1	4.9	5.3	5.3				
250	272	261	259	250	242	233	218	201	165	99	2.1/166	830	120	23
	2.1	2.3	2.2	2.9	3.3	3.9	4.4	4.8	5.5	5.8				
300	312	309	308	303	296	287	273	254	219	125	2.6/212	905	120	23
	2.8	2.9	2.9	3.3	3.5	3.9	4.3	4.7	5.1	5.6				
400	480	442	434	388	344	299	229	182	114	-	1.4/146	735	120	34
	2.0	2.4	2.3	2.8	3.3	3.8	4.5	4.8	5.4	-				
500	538	520	514	491	463	434	389	339	282	186	2.2/232	810	120	34
	3.0	3.1	3.3	3.6	4.0	4.4	5.0	5.7	6.2	6.7				
700	722	704	701	667	640	607	571	534	453	333	2.9/313	960	120	34
	4.5	4.6	4.7	4.8	5.0	5.2	5.6	6.2	7.1	7.2				
900	918	905	901	877	842	793	725	636	536	390	3.0/306	650	120	64
	3.8	4.0	4.1	4.0	4.2	4.3	4.4	4.9	4.5	5.3				
1500	1578	1526	1513	1438	1371	1285	1198	1103	1000	816	5.0/468	955	120	64
	8.6	8.4	8.4	8.1	7.5	7.0	6.7	6.2	5.8	5.8				

COMPACT FF CEILING VENTILATORS

MODEL FF	CFM / Sones at Static Pressure (PS - Inches of H ₂ O)										AMPS @ 60HZ/ WATTS	RPM @ 1/8	Voltage	Average Ship Wt. Lbs
	0	1/10	1/8	1/4	3/8	1/2	5/8	3/4	7/8	1				
50	52	49	47	42	29	-	-	-	-	-	0.8/48	1870	120	4
	3.9	4.3	4.4	4.6	5.5	-	-	-	-	-				
80	89	81	80	68	36	-	-	-	-	-	0.75/48	1280	120	7
	3.9	3.8	3.8	3.8	3.9	-	-	-	-	-				

Performance ratings include the effects of inlet grille and backdraft damper. Speed (RPM) shown is nominal. Performance is based on actual speed of test. The sound ratings shown are loudness values in fan sones at 5' (1.5m) in a hemispherical free field calculated per AMCA Standard 301. Values shown are for installation Type B: free inlet fan sone levels. Performance certified is for installation Type B: Free inlet, Ducted outlet.



JencoFan, Div. of Soler & Palau Ventilation Group, certifies that the Models FF/FFC shown herein are licensed to bear the AMCA Seal. The ratings shown are based on test and procedures performed in accordance with AMCA Publication 211 and AMCA Publication 311 and comply with the requirement of the AMCA Certified Ratings Program.





MODEL FFC PERFORMANCE

FFC INLINE/CABINET VENTILATORS

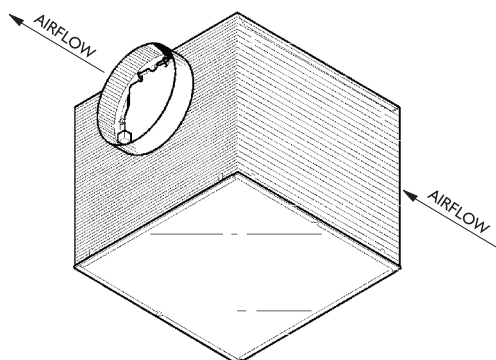
MODEL FFC	CFM / Sones at Static Pressure (PS - Inches of H ₂ O)										AMPS @ 60HZ/ WATTS	RPM @ 1/8	Voltage	Average Ship Wt. Lbs.
	0	1/10	1/8	1/4	3/8	1/2	5/8	3/4	7/8	1				
100	121	108	106	97	93	86	70	44	-	-	1.0/87	760	120	23
	0.5	0.7	0.7	1.1	1.4	1.8	2.1	2.4	-	-				
150	153	148	147	140	134	125	111	91	54	-	1.3/100	920	120	23
	0.9	1.0	1.1	1.4	1.6	1.9	2.1	2.2	2.4	-				
200	205	196	195	190	185	175	158	135	96	47	1.8/127	865	120	23
	1.7	1.9	1.9	2.1	2.3	2.4	3.0	3.3	3.4	3.4				
250	248	245	245	241	235	224	208	183	141	84	2.1/166	1005	120	23
	2.0	2.3	2.3	2.8	2.8	3.2	3.4	3.6	3.9	3.8				
300	300	294	293	285	274	259	243	214	168	113	2.6/212	1145	120	23
	2.9	3.0	3.1	3.3	3.4	3.5	3.6	3.7	4.0	3.9				
400	450	415	406	360	313	271	223	167	90	6.0	1.4/146	775	120	34
	1.4	1.6	1.6	1.9	2.2	2.6	2.9	3.4	3.6	3.9				
500	546	526	519	496	472	447	407	364	306	232	2.2/232	890	120	34
	2.4	2.4	3.4	3.7	3.9	3.8	3.9	4.0	4.3	4.3				
700	704	686	681	656	631	604	575	533	480	412	2.9/313	1090	120	34
	3.6	3.8	3.7	3.9	4.0	4.2	4.3	4.4	4.7	5.0				
900	930	902	894	853	807	754	685	587	442	300	3.0/306	810	120	64
	3.7	3.8	3.8	3.8	3.7	3.8	3.9	4.0	4.0	4.1				
1500	1275	1228	1214	1152	1092	1029	958	871	764	631	5.0/468	1055	120	64
	6.8	6.8	6.7	6.5	6.3	6.0	6.0	6.0	6.0	6.1				

Performance ratings include the effects of backdraft damper. Speed (RPM) shown is nominal. Performances based on actual speed of test. The sound ratings shown are loudness values in fan sones at 5" (1.5m) in a hemispherical free field calculated per AMCA Std. 301. Values shown are for installation Type D: ducted inlet fan sone levels. Ratings do not include the effect of duct end correction. Performance ratings include the effects of 18 feet of round inlet duct and, if needed, a rectangular to round duct transition in the airstream. Performance certified is for Installation Type D; Ducted inlet, Ducted outlet.

FFC CABINET VENTILATORS

MODEL FFC	CFM / Sones at Static Pressure (PS - Inches of H ₂ O)										AMPS @ 60HZ/ WATTS	RPM @ 1/8	Voltage	Average Ship Wt. Lbs.
	0	1/10	1/8	1/4	3/8	1/2	5/8	3/4	7/8	1				
2000	1891	1803	1791	1657	1508	1347	1165	808	-	-	5.8/590	965	120	92
	10.3	9.8	9.4	9.0	8.6	9.1	8.9	7.0	-	-				
3500	3605	3498	3452	3278	3073	2983	2679	2429	2093	1693	5.4/1205	1105	240	139
	15.3	14.8	14.5	14.1	13.1	12.8	12.1	11.8	11.9	10.8				

Performance ratings do not include the effects of appurtenances (accessories). Speed (RPM) shown is nominal. Performance is based on actual speed of test. The sound ratings shown are loudness values in fan sones at 5' (1.5m) in a hemispherical free field calculated per AMCA Std. 301. Values shown are for installation Type D: ducted inlet fan sone levels. Ratings do not include the effect of duct end correction. Performance certified is for Installation Type D: Ducted inlet, Ducted outlet.



JencoFan, Div. of Soler & Palau Ventilation Group, certifies that the Models FF/FFC shown herein are licensed to bear the AMCA Seal. The ratings shown are based on test and procedures performed in accordance with AMCA Publication 211 and AMCA Publication 311 and comply with the requirement of the AMCA Certified Ratings Program.

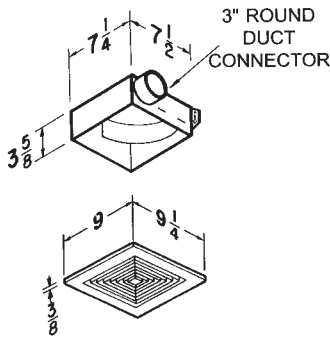




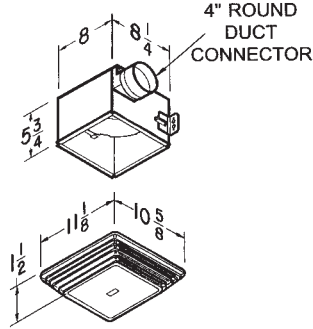
DIMENSIONS

CEILING VENTILATOR

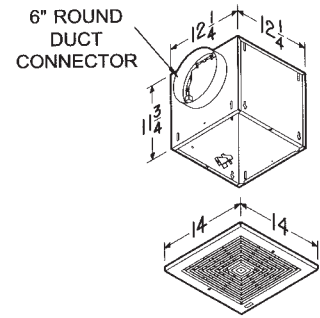
FF50



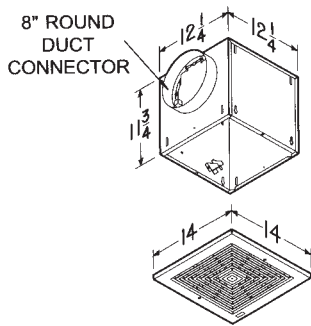
FF80



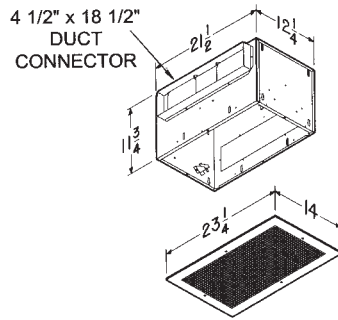
FF100 & 150



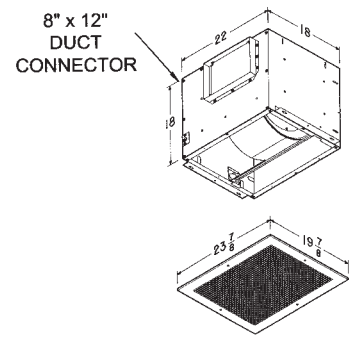
FF200, 250 & 300



FF400, 500 & 700

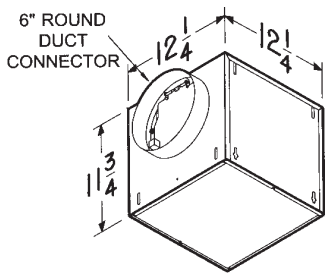


FF900 & 1500

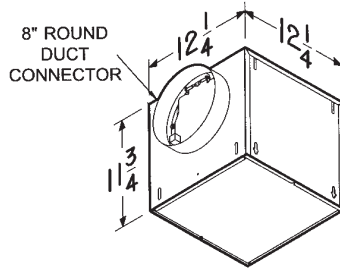


INLINE/CABINET VENTILATOR

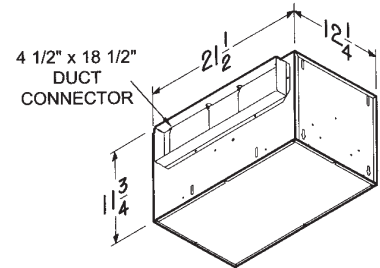
FFC100 & 150



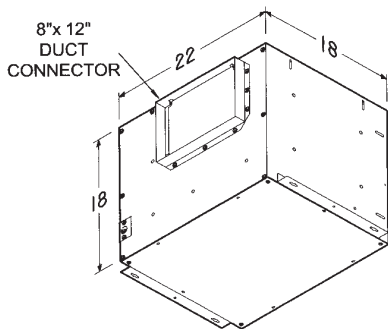
FFC200, 250 & 300



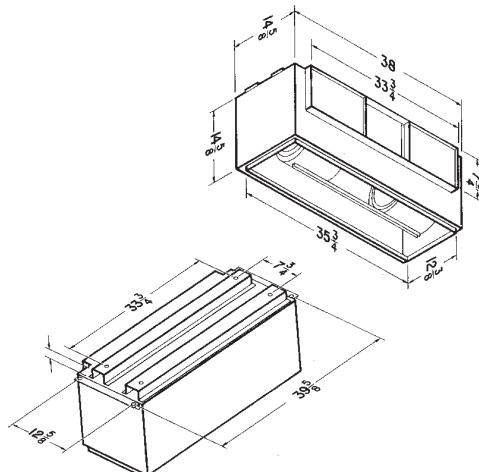
FFC400, 500 & 700



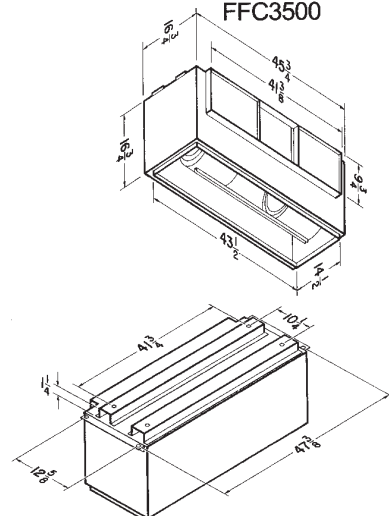
FFC900 & 1500



FFC2000

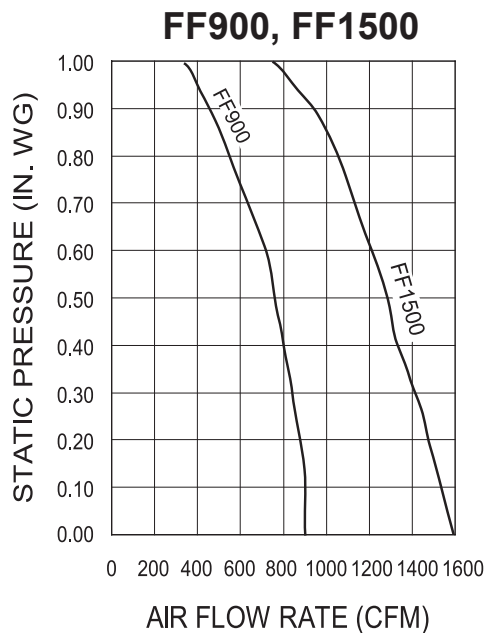
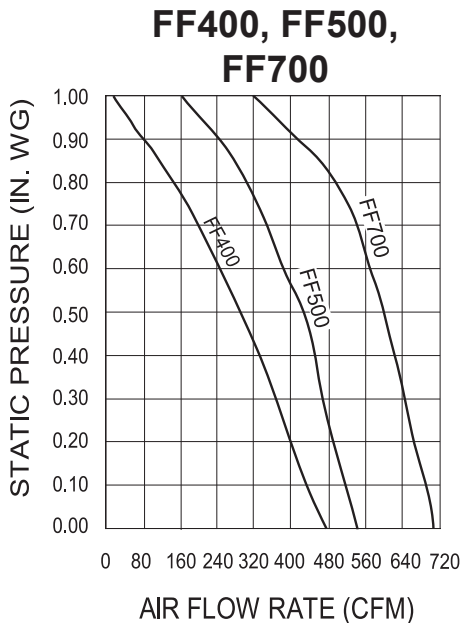
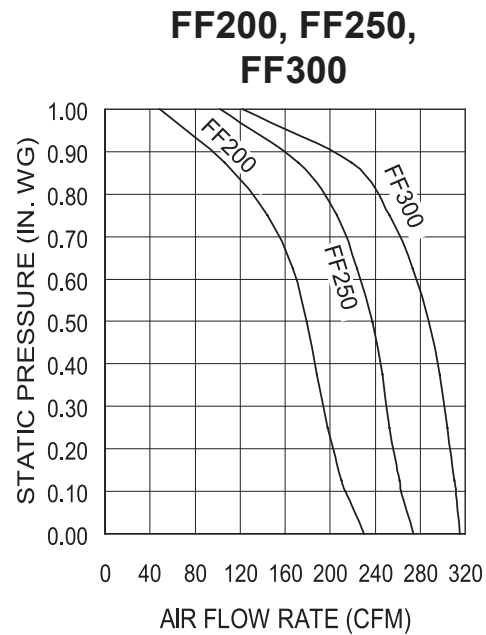
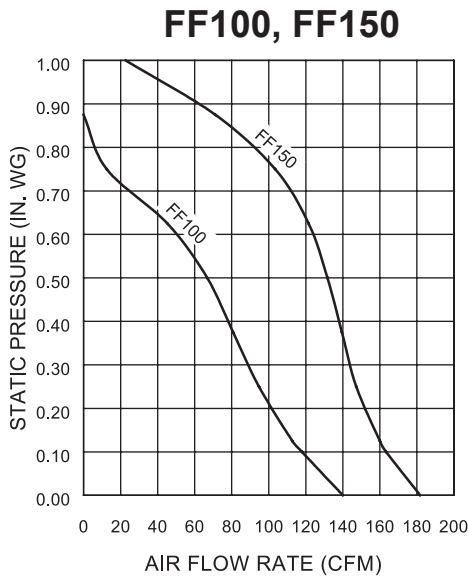
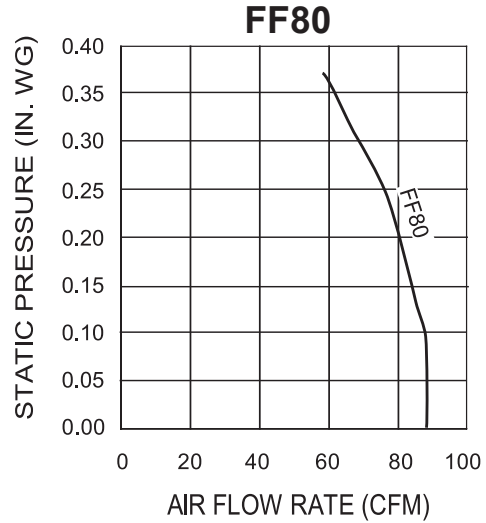
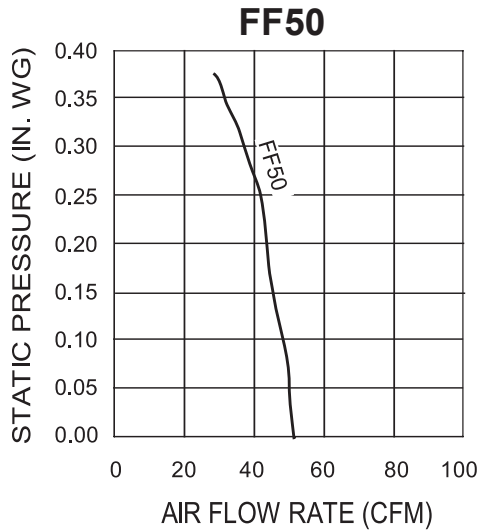


FFC3500





FF CEILING VENTILATORS QUICK SELECTION GUIDE

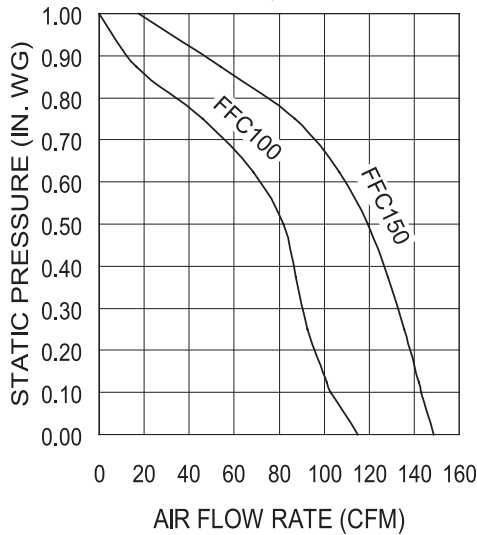


Models FF50, 80, 100, 150, 200, 250, 300, 400, 500, 700, 900, and 1500 Performance certified is for installation type B: Free inlet, Ducted outlet. Performance ratings include the effects of inlet grille and backdraft damper.

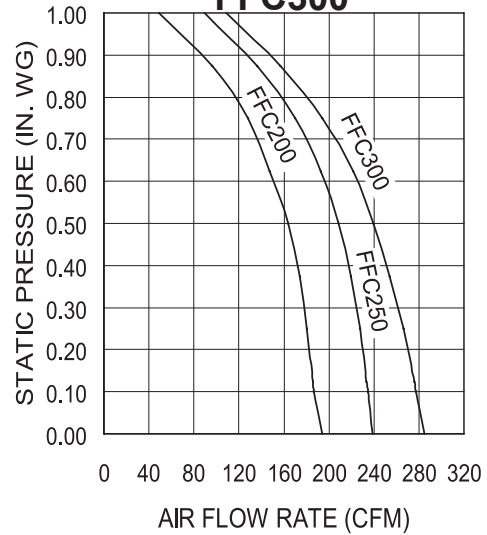


FFC INLINE/CABINET VENTILATORS QUICK SELECTION GUIDE

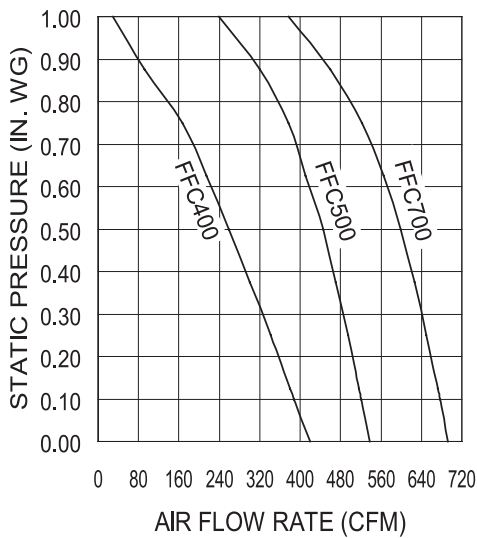
FFC100, FFC150



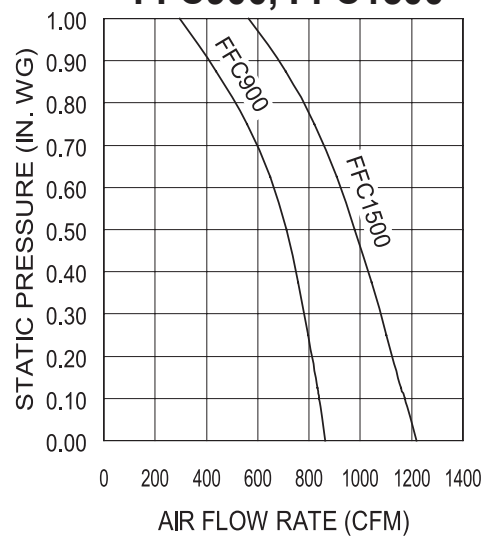
FFC200, FFC250, FFC300



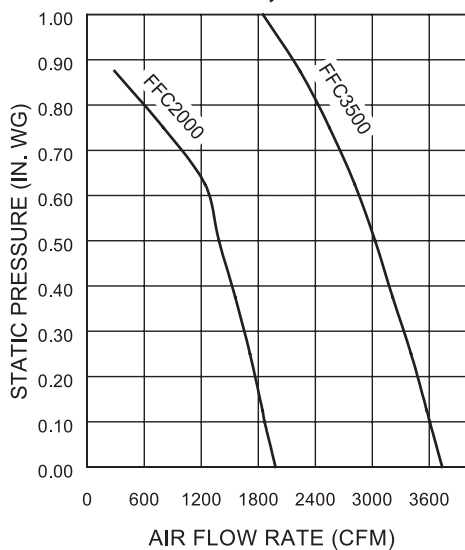
FFC400, FFC500, FFC700



FFC900, FFC1500



FFC2000, FFC3500



FF & FFC QUICK SELECTION GUIDELINES

1. Locate desired CFM on bottom horizontal axis of graph.
2. Locate system static pressure on left vertical axis of graph.
3. Determine intersection of CFM and static pressure.
4. Select fan curve to the right of this intersection.
5. Solid state speed control may be used for selections left of curve, up to 50% CFM reduction.

Models FFC100, 150, 200, 250, 300, 400, 500, 700, 900 and 1500 Performance certified is for installation type D: Ducted inlet, Ducted outlet. Performance ratings include the effects of backdraft damper, 18 feet of round inlet duct and, if needed, a rectangular to round duct transition.

Models FFC2000 and 3500 Performance certified is for installation type D: Ducted inlet, Ducted outlet. Performance ratings do not include the effects of appurtenances (accessories).

MODELS TR & TRC

TOTAL RECOVERY FOR ALL CLIMATES
RESIDENTIAL OR COMMERCIAL APPLICATIONS

With JencoFan’s TR & TRC (total recovery) Series for all climates, stale room air is exhausted and fresh outdoor air is brought back into the house. These two air streams are directed through a highly developed “air-to-air” energy exchange core. The air streams are physically separated by many layers of “plates” so there is no mixing or contamination of the fresh air. The plates are made of an engineered “resin” material that simultaneously transfers heat by conduction and humidity by attracting and moving water vapor from one air stream to the other.

JencoFan’s TR & TRCs moderate extremes in both temperature and humidity, creating a comfortable indoor environment. The unique moisture transfer capability of the JencoFan core also eliminates condensation and frost build up in most applications. Unlike other ERVs on the market no mechanical or electrical defrost systems are needed, which means higher heat recovery efficiencies, easier installation and more reliable operation.

Contractor Benefits

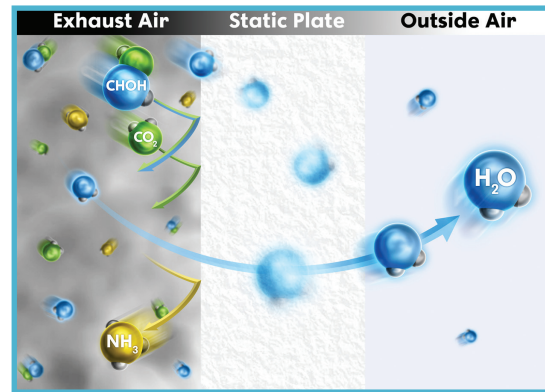
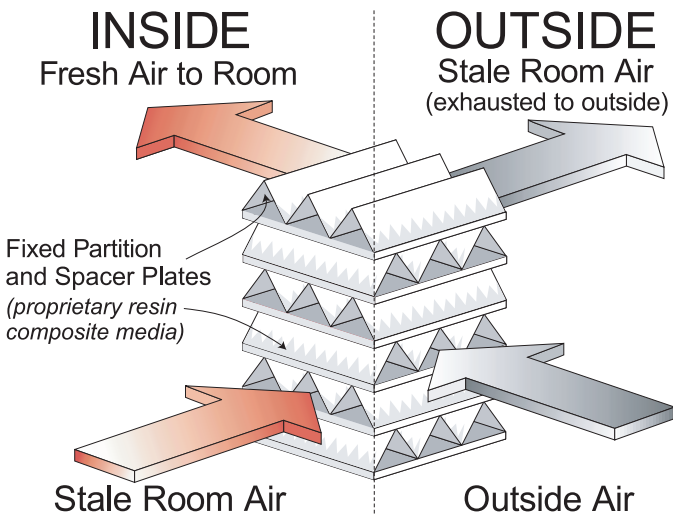


- Models compatible to any HVAC equipment
- Simple installation
- Mount in any orientation
- May be installed in unconditioned locations like attics and garages
- Easy-to-access field support
- Elimination of callbacks
- “Green Building” compliant

The CORE

- Efficient transfer of heat and moisture
- No liquid is accumulated; no drain pan or defrost mechanism is required!
- Industry best **10-year** warranty

5th Generation Core



- Contaminated air is exhausted from the building, while the static plate core regulates extremes in humidity

The Warranty

An JencoFan TR or TRC is protected by a 10-year core warranty with a 5-year warranty on balance of the TR unit and 2-year warranty on balance of the TRC unit. This commitment - twice as long as coverage on the best wheel products - means with JencoFan you can just fit and forget.





MODEL TR AND TRC SIZING

Choosing the Right Size TR by Square Footage

Choosing the correct size TR for your structure is easy, all you need to know is the square footage.

If your structure is up to:

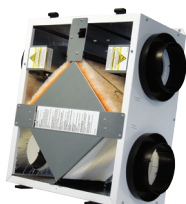
- 1500 Sq. Ft. you need a **TR90/TR90G**
- 2700 Sq. Ft. you need a **TR130**
- 4000 Sq. Ft. you need a **TR200**
- 6000 Sq. Ft. you need a **TR300**



Choosing the Right Size TR or TRC by Air Handler Load

For each ton of air handling capacity, 120 CFM of Energy Recovery Ventilation is recommended.

Ton	Capacity 30% Outside Air Fraction in CFM	Model Needed
1.0	120	TR130
1.6	192	TR200
2.0	244	TR300
2.5	299	TR300
3.0	360	TRC500
3.5	415	TRC500
4.0	490	TRC500
5.0	594	TRC800
6.8	810	TRC800
9.3	1,116	TRC1600
14.3	1,716	TRC1600



Models TR90/TR90G



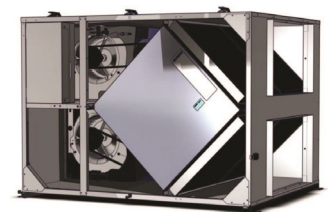
Models TR130, TR200 and TR300



Model TRC500



Model TRC800



Model TRC1600

MODEL TR

TOTAL RECOVERY FOR ALL CLIMATES



10-YEAR
Core Warranty

MODEL FEATURES

- MERV-8 filters
- Less than 1 watt stand-by power consumption
- Transformer/relay package allowing simple on/off control
- Plastic double collars for 6 or 8" direct duct connection (TR300 is 8" only)
- 3' power cord
- Integral mounting flange and hanging bracket system
- Fully insulated case
- Large cores for high efficiency
- No condensate pan or drain required

MODEL OVERVIEW

To protect the two most valuable investments of your life, your home and your family, improving indoor air quality is key. With JencoFan's TR (total recovery) Series for all climates, stale room air is exhausted and fresh outdoor air is brought back into the house. With this line of ERVs (Energy Recovery Ventilators) these two air streams are directed through a highly developed "air-to-air" energy exchange core. The air streams are physically separated by many layers of "plates" so there is no mixing or contamination of the fresh air. The plates are made of an engineered "resin" material that simultaneously transfers heat by conduction and humidity by attracting and moving water vapor from one air stream to the other.

JencoFan's TRs moderate extremes in both temperature and humidity, creating a comfortable indoor environment. The unique moisture transfer capability of the JencoFan core also eliminates condensation and frost build up in most applications. Unlike other ERVs on the market no mechanical or electrical defrost systems are needed, which means higher heat recovery efficiencies, easier installation and more reliable operation.

Model TR is available in our Quickship program. All sizes are available for next day shipping from stock.



10-year industry best core warranty. 5-year warranty on balance of unit.

All specifications are subject to change without notice unless approved in submittal by JencoFan.

GC_TR_0112

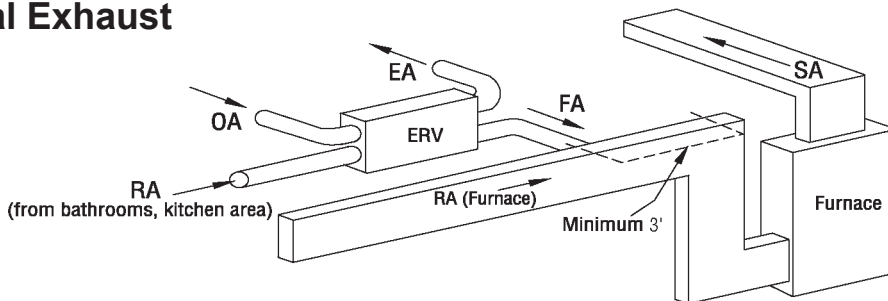
January 2012



STANDARD SPECIFICATIONS AND FEATURES

- MERV-8 filters
- Less than 1 watt stand-by power consumption
- Transformer/relay package allowing simple on/off control
- Plastic double collars for 6 or 8" direct duct connection (TR300 is 8" only)
- TR90, TR130, TR300 have painted case, low voltage controls, 3' Power cord
- TR90G has galvanized case, line voltage and no line cord
- Integral mounting flange and hanging bracket system
- Fully insulated case
- Large cores for high efficiency
- No condensate pan or drain required
- **10-year** industry best core warranty
- 5-year warranty on balance of unit

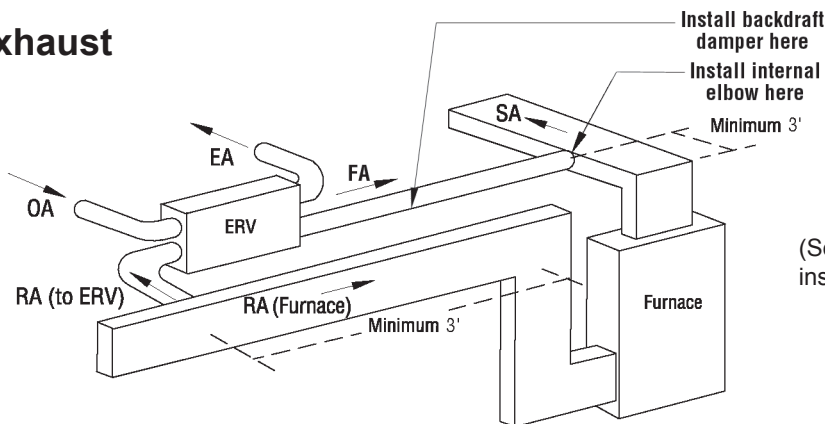
Central Exhaust



EA: Exhaust Air to outdoors
OA: Outdoor Air intake
RA: Room Air to be exhausted
FA: Fresh Air to inside

Note: ERV Blower may be operated separately from Furnace Blower

General Exhaust



(See manual for additional installation details.)

Note: ERV Blower may be operated separately from Furnace Blower



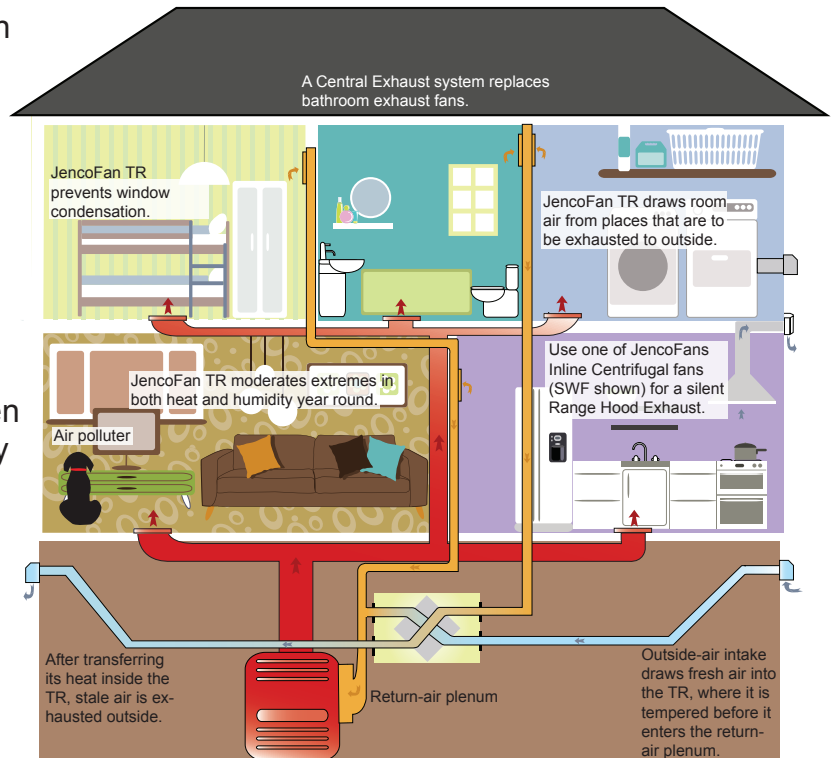
TR APPLICATIONS

Central Exhaust

Your BEST choice for green ventilation, Series TR exhausts stale air, brings in fresh air and saves energy year-round.

Series TR

- Replaces bathroom exhaust fans
- 20 CFM continuous per bathroom
- 50 CFM intermittent per bathroom
- Meets ASHRAE 62.2 when used with one of JencoFan's Percentage Timer Controls
- Other possible exhaust locations: kitchen area (cannot exhaust range hood), utility room, smoking room, hobby room, etc.
- Small duct work system to collect air from each exhaust location
- Fresh air may be supplied to furnace (AC) return air duct
- Optional automatic proportional runtime control and push button control available



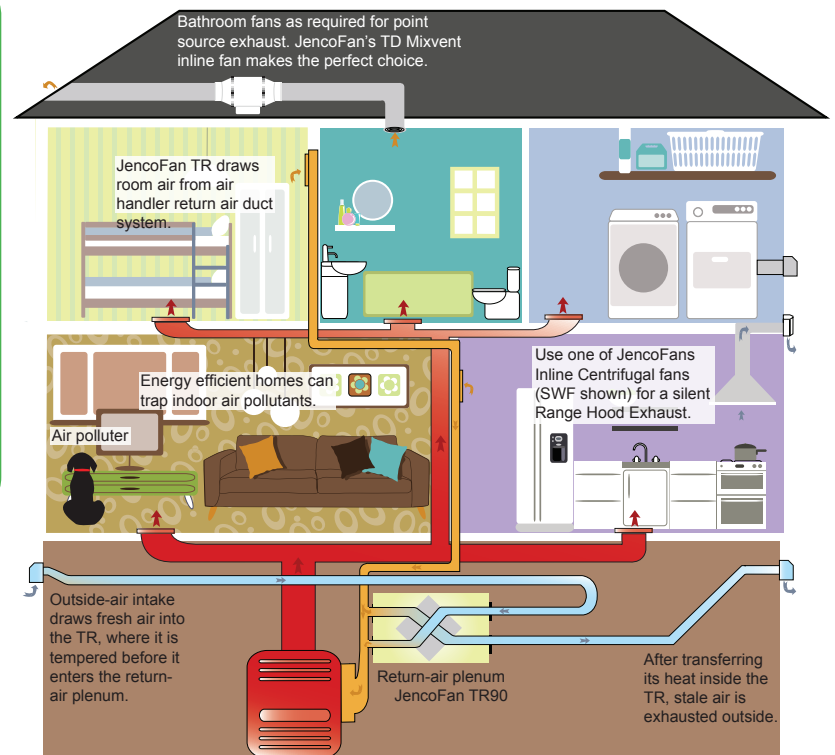
General Ventilation

Bathroom exhaust fans are required with this application

The Perfect Pair

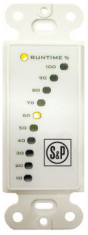


To get the most efficient and effective general ventilation system available use a TR with JencoFan's exclusive TD-MIXVENT inline fans for bathroom exhaust.





CONTROLS



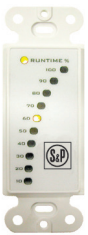
SPTL - Percentage Timer Control

- Primary control for TR90/TR90G, TR130, TR200 and TR300
- Runs unit an adjustable amount of time each hour
- Two wire, low voltage connection to TR
- Meets ASHRAE 62.2 continuous ventilation standards



SPBL - Push Button Point-of-Use Control

- Push button control turns on unit from bathrooms or other intermittent exhaust locations
- 20 minute run-time with one touch
- Push 2x for 40 or 3x for 60 minutes
- Two wire, low voltage connection to SPTL



SFM - Percentage Timer Control with Furnace Interlock

- Alternate primary control for TR90/TR90G, TR130, TR200 and TR300
- Wires to TR unit and either thermostat or furnace control to turn on furnace blower
- Six wire, low voltage connection
- Meets ASHRAE 62.2 continuous ventilation standards

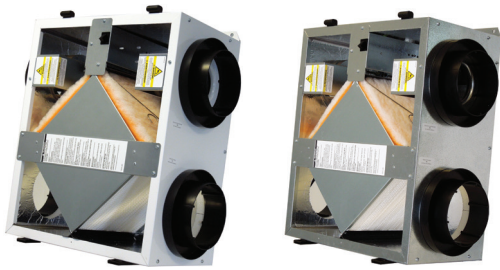


SHW-20 - Dehumidistat

- Rotary dial dehumidistat
- Turn the dial to set desired humidity level
- Designed for convenient installation in bathrooms, kitchen or laundry room
- Dehumidifies when inside air is more humid than the set point
- **Caution:** the outside air must be less humid than the indoor air for this to work.



TR90/TR90G



Specifications

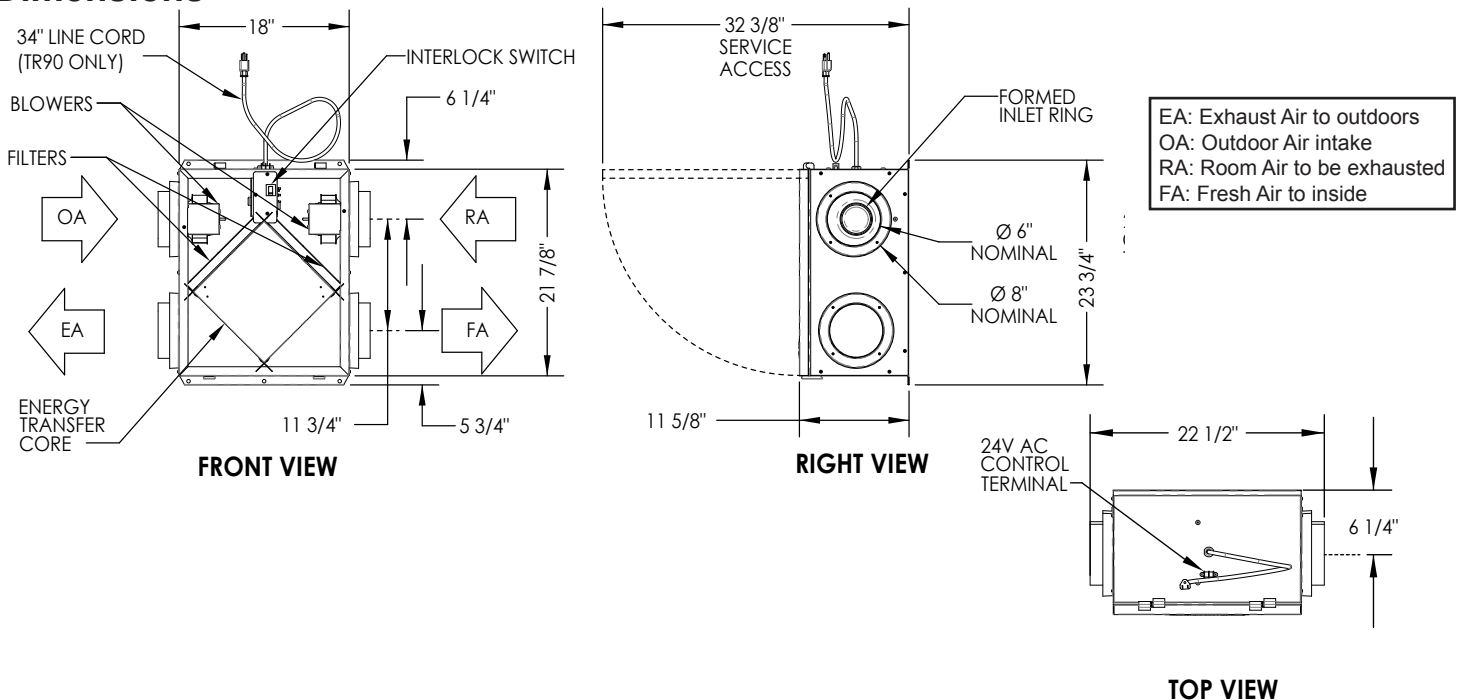
Ventilation Type: Static Plate, Heat and Humidity Transfer				
Typical Airflow Range: 40-110 CFM				
TR90 - Painted Case, Low Voltage Controls, Line Cord				
TR90G - Galvanized Case, Line Voltage, No Line Cord				
Unit may be mounted in any orientation and in heated or unheated locations				
Number Motors: Two, 0.03 HP each, totally enclosed, thermally protected, 0.35A				
V	Hz	Phase	Input Watts	FLA
120	60	Single	94 @ 69 CFM	0.16
Control Voltage: 24 VAC				
Filters: MERV 8, spun polyester media. 7-12" x 10-1/2" x 1"				
Weight: 36 lbs (unit), 41 lbs (in carton)				
Shipping Dimensions: 28-1/2" L x 21-1/2" W x 14-3/4" H				
Options:				
SPTL - Percentage Timer Control				
SPBL - Push Button Point-of-Use Control				
SFM Percentage Timer Control with Furnace Interlock				
SHW-20 - Dehumidistat Control				

Performance

Airflow CFM	Temp EFF%	Temp Winter%*	Total EFF% Summer*
113	61	55	42
98	64	58	46
85	67	61	49
73	69	33	53
58	72	66	57
40	76	70	61

* Contact Factory for HVI certification report for complete certified rating.

Dimensions





TR130



Performance

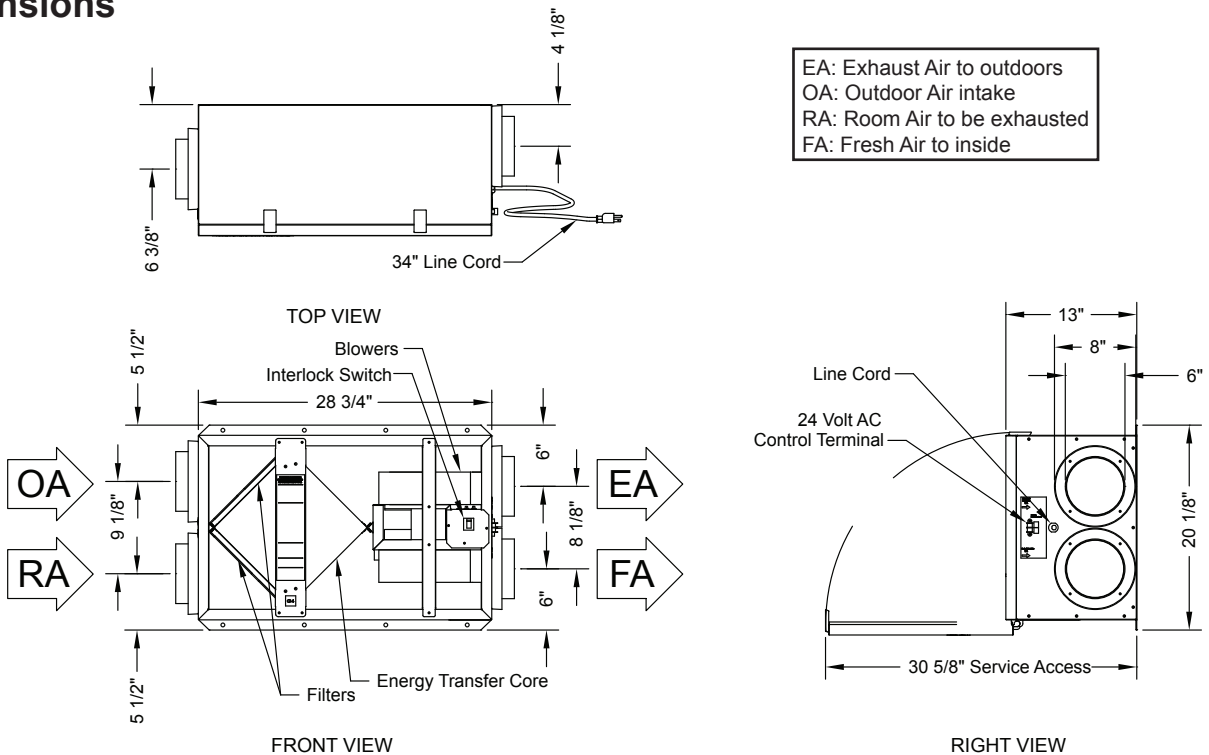
Airflow CFM	ESP in H ₂ O	Temp EFF%	Total EFF% Winter/Summer*
79	0.60	78	73/60
104	0.50	75	69/55
126	0.40	72	66/50
137	0.30	71	64/48
153	0.20	68	61/45
165	0.10	67	59/43

* Contact Factory for HVI certification report for complete certified rating.

Specifications

Ventilation Type: Static Plate, Heat and Humidity Transfer				
Typical Airflow Range: 50-140 CFM				
Unit may be mounted in any orientation				
Number Motors: One, 0.1 hp				
V	Hz	Phase	Input Watts	FLA
120	60	Single	102 @ 130 CFM	1.2
Control Voltage: 24 VAC transformer / relay package with switched dry contacts				
Filters: MERV 8, spun polyester media. 10-1/2" x 10-1/2" x 1"				
Weight: 49 lbs (unit), 60 lbs (in carton)				
Shipping Dimensions: 32" L x 21" W x 17-1/2" H (in carton)				
Options: SPTL - Percentage Timer Control SPBL - Push Button Point-of-Use Control SFM Percentage Timer Control with Furnace Interlock SHW-20 - Dehumidistat Control				

Dimensions





TR200



Performance

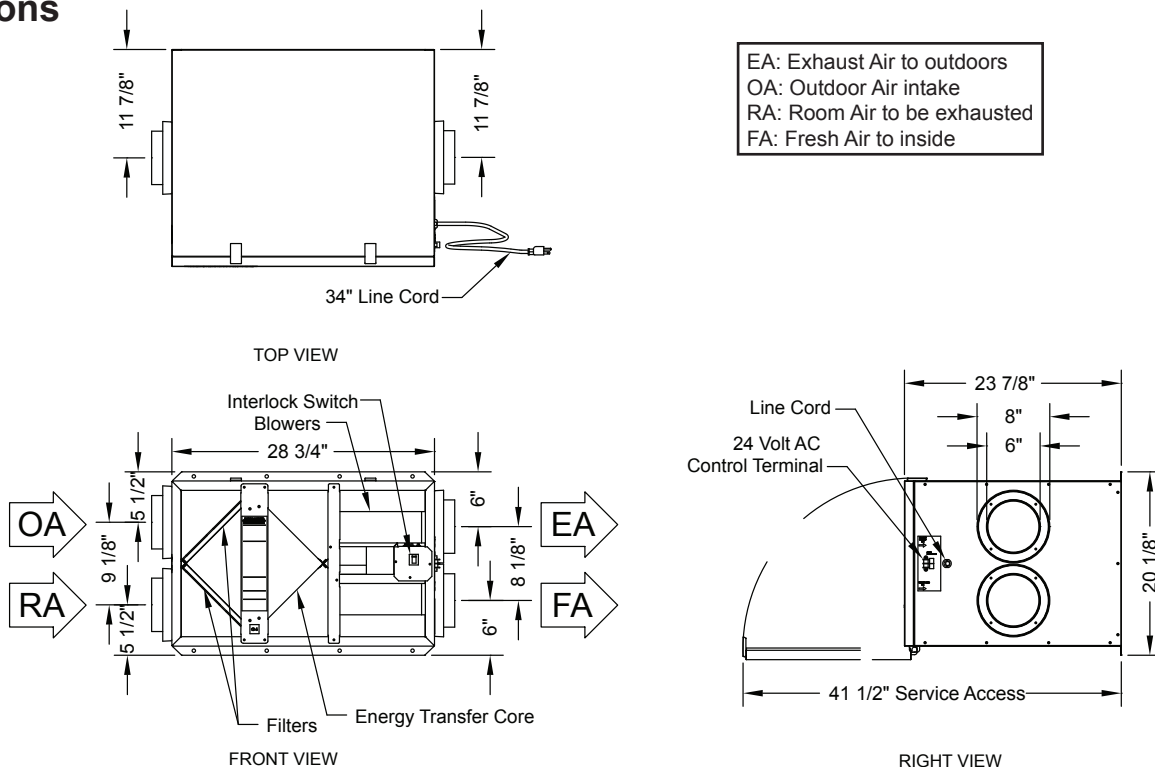
Airflow CFM	ESP in H ₂ O	Temp EFF%	Total EFF% Winter/Summer*
122	0.70	81	77/64
149	0.60	79	75/61
168	0.50	78	73/59
176	0.40	78	72/59
186	0.30	77	72/58
192	0.20	77	71/57
207	0.10	76	70/56

* Contact Factory for HVI certification report for complete certified rating.

Specifications

Ventilation Type: Static Plate, Heat and Humidity Transfer				
Typical Airflow Range: 100-200 CFM				
Unit may be mounted in any orientation				
Number Motors: One, 0.1 hp				
V	Hz	Phase	Input Watts	FLA
120	60	Single	157 @ 181 CFM	1.5
Control Voltage: 24 VAC transformer / relay package with switched dry contacts				
Filters: MERV 8, spun polyester media. 10-1/2" x 21-3/4" x 1"				
Weight: 70 lbs (unit), 82 lbs (in carton)				
Shipping Dimensions: 32" L x 21-1/2" W x 29" H (in carton)				
Options:				
SPTL - Percentage Timer Control				
SPBL - Push Button Point-of-Use Control				
SFM Percentage Timer Control with Furnace Interlock				
SHW-20 - Dehumidistat Control				

Dimensions





TR300



Performance

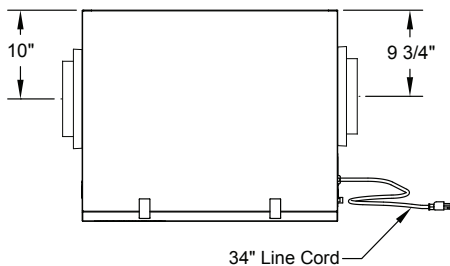
Airflow CFM	ESP in H ₂ O	Temp EFF%	Total EFF% Winter/Summer*
170	1.0	78	73/59
191	0.9	77	71/57
215	0.8	75	69/55
256	0.7	73	66/51
277	0.6	71	65/49
295	0.5	70	63/47
311	0.4	69	62/46

* Contact Factory for HVI certification report for complete certified rating.

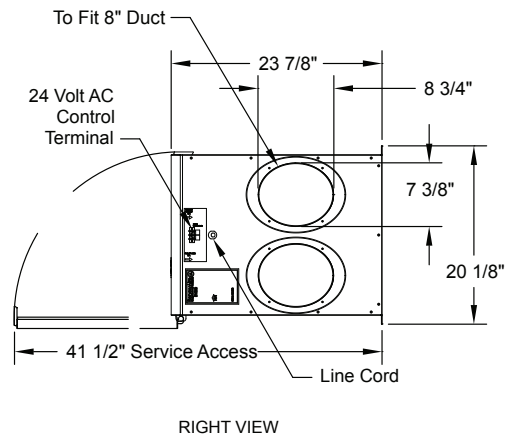
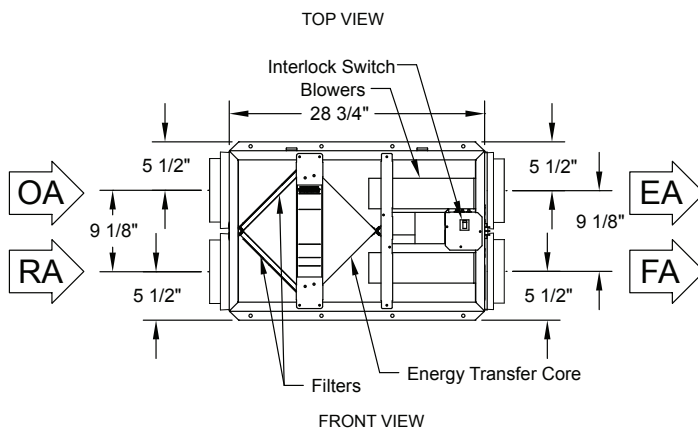
Specifications

Ventilation Type: Static Plate, Heat and Humidity Transfer				
Typical Airflow Range: 150-300 CFM				
Unit may be mounted in any orientation				
Number Motors: One, 0.2 hp				
V	Hz	Phase	Input Watts	FLA
120	60	Single	315 @ 297 CFM	3.3
Control Voltage: 24 VAC transformer / relay package with switched dry contacts				
Filters: MERV 8, spun polyester media. 10-1/2" x 21-3/4" x 1"				
Weight: 72 lbs (unit), 85 lbs (in carton)				
Shipping Dimensions: 32" L x 21-1/2" W x 29" H (in carton)				
Options: SPTL - Percentage Timer Control SPBL - Push Button Point-of-Use Control SFM Percentage Timer Control with Furnace Interlock SHW-20 - Dehumidistat Control				

Dimensions

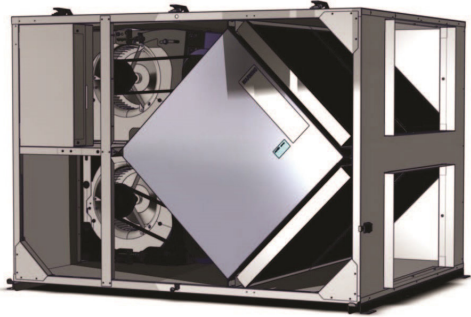


EA: Exhaust Air to outdoors
OA: Outdoor Air intake
RA: Room Air to be exhausted
FA: Fresh Air to inside



MODEL TRC

TOTAL RECOVERY FOR ALL CLIMATES -
COMMERCIAL APPLICATIONS



MODEL FEATURES

- MERV-8 filters
- Non-Fused disconnect
- Transformer/relay package allowing simple on/off control
- Access doors for easy access to blowers, core and filters
- Fully insulated case
- Large cores for high efficiency
- No condensate pan or drain required

10-YEAR
Core Warranty

MODEL OVERVIEW

With JencoFan's TRC (total recovery for commercial applications) Series for all climates, stale room air is exhausted and fresh outdoor air is brought back into the building. With this line of ERVs (Energy Recovery Ventilators) these two air streams are directed through a highly developed "air-to-air" energy exchange core. The air streams are physically separated by many layers of "plates" so there is no mixing or contamination of the fresh air. The plates are made of an engineered "resin" material that simultaneously transfers heat by conduction and humidity by attracting and moving water vapor from one air stream to the other.

JencoFan's TRCs moderate extremes in both temperature and humidity, creating a comfortable indoor environment. The unique moisture transfer capability of the JencoFan core also eliminates condensation and frost build up in most applications. Unlike other ERVs on the market no mechanical or electrical defrost systems are needed, which means higher heat recovery efficiencies, easier installation and more reliable operation.

Model TRC is available in our Quickship program. All sizes are available for next day shipping from stock.

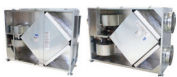


10-year industry best core warranty. 2-year warranty on balance of unit.

All specifications are subject to change without notice unless approved in submittal by JencoFan.

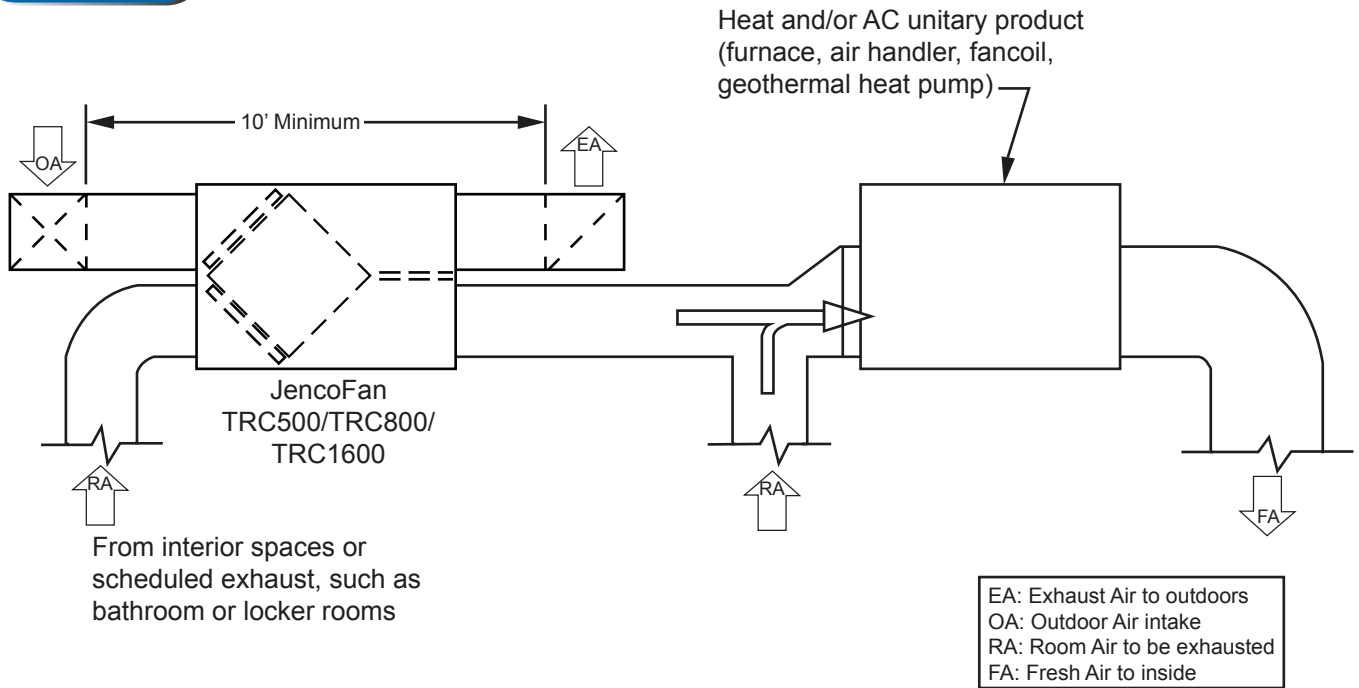
GC_TRC_1014

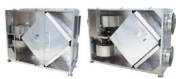
October 2014



STANDARD SPECIFICATIONS AND FEATURES

- AHRI certified performance data for efficiency and cross leakage.
- UL tested flammability and smoke generation that meets NFPA 90A and 90B test standards for commercial applications.
- Easy installation and service.
- Easiest maintenance of any ERV
- MERV-8 filters are standard (2 in the TRC500 & TRC 800, 4 in the TRC1600)
- Non-Fused disconnect
- Transformer/relay package allowing simple on/off control
- Access doors for easy access to blowers, core and filters
- TRC500 & TRC800 have integral mounting flange and hanging bracket system
- TRC1600 has mounting feet for installation at floor level
- 2 Direct Drive, TEFC, Premium Efficient blower motors in the TRC500 and TRC800
- 2 Belt Drive, TEFC, Premium Efficient blower motors in the TRC1600
- Fully insulated case
- Large cores for high efficiency
- No condensate pan or drain required
- **10-year** industry best core warranty
- 2-year warranty on balance of unit





CONTROLS

These controls are intended to turn JencoFan commercial energy recovery ventilation systems on and off at appropriate times. Specification, installation and set-up is an easy process. The TRC units come standard with a 24 volt transformer/relay package for easy interface with all controls.

It is not necessary that JencoFan controls be used to operate JencoFan units. A wide range of controls or building automation systems may be used. Additionally, TRC800 units are “VFD Ready” as a standard feature.

The JencoFan residential (TR) units have their own line of compatible controls that are not intended to operate JencoFan commercial (TRC) units.

STC7D-W - Digital Time Clock - Wall Mount



- Up to 8 on/off cycles per day or 56 per week
- 24 VAC power requirement
- Battery back-up
- Fits any 4” x 4” electrical box

SMC-C - Motion (Occupancy) Control - Ceiling Mount



- Passive infrared sensor
- Adjustable time-off delay to 30 minutes
- 24 VAC power requirement
- Covers up to 1500 sq. ft. floor space
walking motion coverage up to 22 foot radius

SCO2-W - Carbon Dioxide Control - Wall Mount

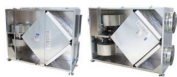


- Adjustable control from 600-2000 PPM
- Digital display
- 24 VAC power requirement
- Computer/BAS interface for information and control
- Self calibrates during periods of low occupancy

SHW-20 - Dehumidistat



- Rotary dial dehumidistat
- Turn the dial to set desired humidity level
- Designed for convenient installation in bathrooms, kitchen or laundry room
- Dehumidifies when inside air is more humid than the set point
- **Caution:** the outside air must be less humid than the indoor air for this to work.



MODEL TRC

TOTAL RECOVERY FOR ALL CLIMATES - COMMERCIAL APPLICATIONS

TRC500



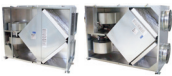
Performance

Airflow CFM	ESP in H ₂ O	Watts	Temp EFF%	Total EFF% Winter/Summer*
225	1.25	335	81	76/66
338	1.00	420	77	71/61
380	0.90	470	75	69/59
450	0.65	550	73	66/56
540	0.25	640	70	62/52
575	0.00	690	69	61/51
600	-0.25	735	68	60/50

* At AHRI 1060 standard conditions
(see certified data on page 69 for core components.)
Note: Watts is for the entire unit.

Specifications

Ventilation Type: Static Plate, Heat and Humidity Transfer					
Typical Airflow Range: 200-540 CFM					
AHRI 1060 Certified Core: One L85					
Airflow Rating Points (for AHRI): 450 CFM and 338 CFM					
Motors: One, 0.6 hp (Single Phase)					
V	Hz	Phase	FLA	Min. Cir. Amps	Max. Overcurrent Protection Device
115	60	Single	7.0	8.8	15
208-230	60	Single	3.5	4.4	15
Standard Features: Non-Fused Disconnect 24 VAC Transformer/Relay Package					
Filters: Two total, MERV 8, 2" pleated, 14" x 20" nominal size					
Weight: 141 lbs (unit), 160 lbs (in carton) 200 lbs (on pallet), up to 3 units on 40 lb pallet					
Shipping Dimensions: 48" L x 41" W x 18" H (in carton) 55" L x 42" W x 22" H (on pallet)					



MODEL TRC

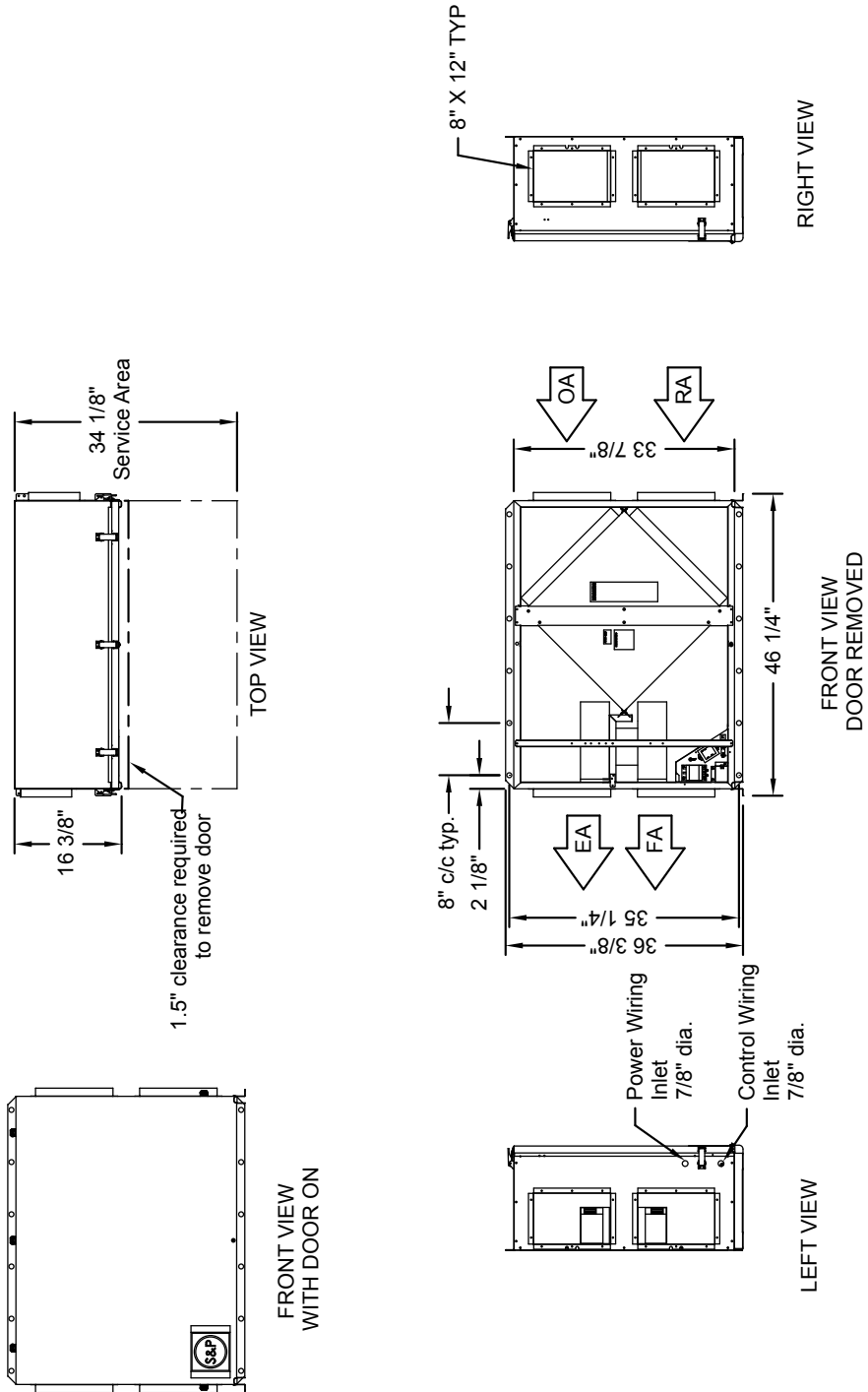
TOTAL RECOVERY FOR ALL CLIMATES - COMMERCIAL APPLICATIONS

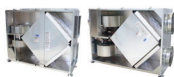
JencoFan

TRC500

Dimensions

EA: Exhaust Air to outdoors
 OA: Outdoor Air intake
 RA: Room Air to be exhausted
 FA: Fresh Air to inside





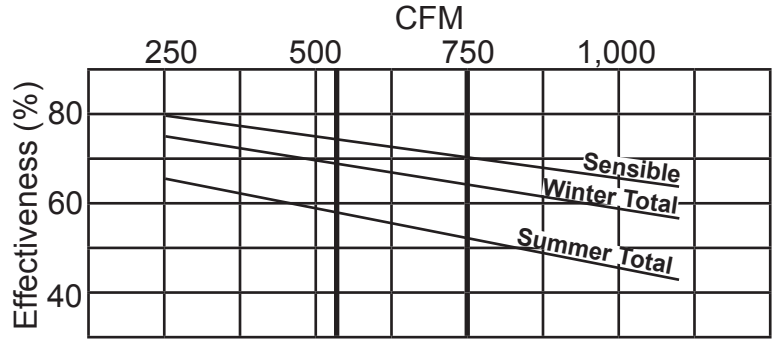
MODEL TRC

TOTAL RECOVERY FOR ALL CLIMATES - COMMERCIAL APPLICATIONS

TRC800



Performance



* At AHRI 1060 standard conditions
(see certified data on page 69 for core components.)

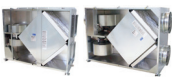
Specifications

Ventilation Type: Static Plate, Heat and Humidity Transfer					
Typical Airflow Range: 250-925 CFM					
AHRI 1060 Certified Core: One L125-00					
Airflow Rating Points (for AHRI): 750 CFM and 563 CFM					
Number Motors: Two direct drive blower/motor packages					
V	Hz	Phase	FLA (per motor)	Min. Cir. Amps	Max. Overcurrent Protection Device
115	60	Single	9.0	20.3	25
208-230	60	Single	4.5	10.1	15
Standard Features: Non-Fused Disconnect 24 VAC Transformer/Relay Package					
Filters: Two total, MERV 8, 2" pleated, 20" x 20" nominal size					
Weight: 211 lbs (unit), 300 lbs (shipping weight, on pallet)					
Shipping Dimensions: 62" L x 48" W x 40" H					

Airflow Performance

Motor HP	External Static Pressure (Inches Water Column)							
	Phase	0.0	0.25	0.5	0.75	0.9	1.25	1.5
0.75		970 CFM	925 CFM	860 CFM	795 CFM	750 CFM	635 CFM	480 CFM
Single Phase		1,490 Watts	1,375 Watts	1,270 Watts	1,160 Watts	1,090 Watts	950 Watts	825 Watts

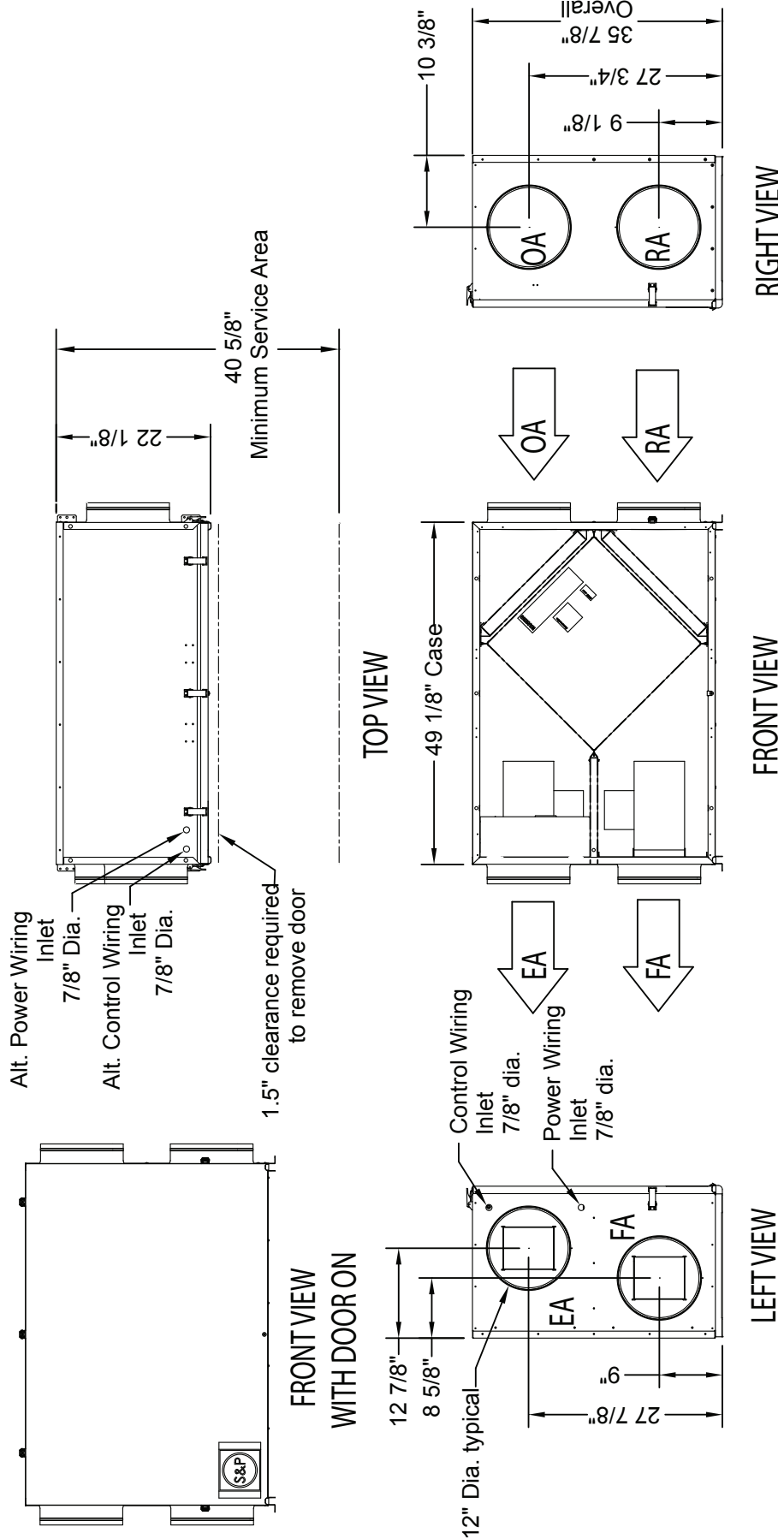
Note: Watts is for the entire unit (two motors).

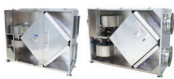


TRC800

Dimensions

EA: Exhaust Air to outdoors
 OA: Outdoor Air intake
 RA: Room Air to be exhausted
 FA: Fresh Air to inside

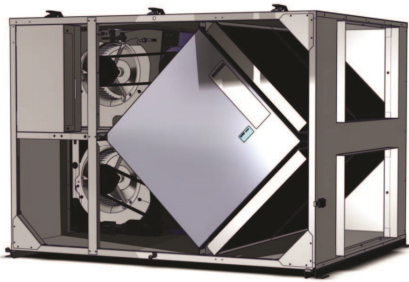




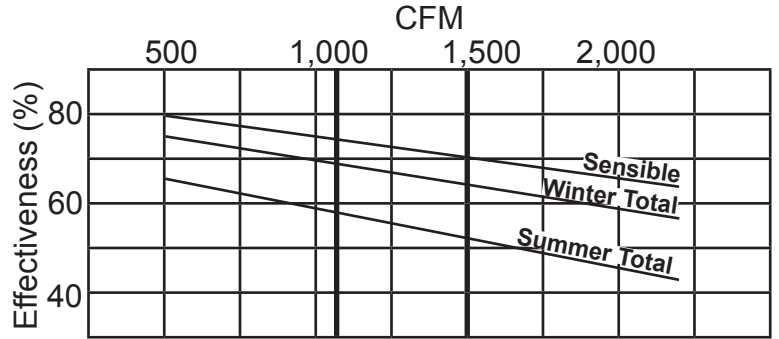
MODEL TRC

TOTAL RECOVERY FOR ALL CLIMATES - COMMERCIAL APPLICATIONS

TRC1600



Performance



* At AHRI 1060 standard conditions
(see certified data on page 69 for core components.)

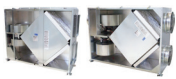
Specifications

Ventilation Type: Static Plate, Heat and Humidity Transfer						
Typical Airflow Range: 500-2,025 CFM						
AHRI 1060 Certified Core: Two L125-00						
Airflow Rating Points (for AHRI): 1,500 CFM and 1,126 CFM						
Number Motors: Two belt drive blower/motor packages with adjustable sheaves						
Drive HP	V	Hz	Phase	FLA (per motor)	Min. Cir. Amps	Max. Overcurrent Protection Device
1.5	115	60	Single	15.2	34.2	45
	208-230	60	Single	8.2-7.6	18.5	25
	208-230	60	Three	4.6-4.8	10.8	15
	460	60	Three	2.4	5.4	15
Standard Features: Totally Enclosed Premium Efficiency Motors Motor Starters, Non-fused Disconnect 24 VAC Transformer/Relay Package						
Filters: Four total, MERV 8, 2" pleated, 20" x 20" nominal size						
Weight: 414 lbs (unit), 505 lbs (shipping weight, on pallet)						
Shipping Dimensions: 72" L x 48" W x 40" H						

Airflow Performance

Motor HP	Blower RPM	Turns Open	External Static Pressure (in w.g.)													
			0.0		0.25		0.5		0.75		0.9		1.25		1.5	
			SCFM	BHP	SCFM	BHP	SCFM	BHP	SCFM	BHP	SCFM	BHP	SCFM	BHP	SCFM	BHP
1.5	1148	4	1592	0.7	1480	0.7	1320	0.6	1120	0.5	800	0.4	-	-	-	-
	1304	2	1809	1.0	1720	1.0	1600	0.9	1410	0.8	1250	0.7	975	0.6	630	0.4
	1460	0	2025	1.5	1950	1.4	1845	1.3	1715	1.2	1540	1.1	1400	1.0	1165	0.8

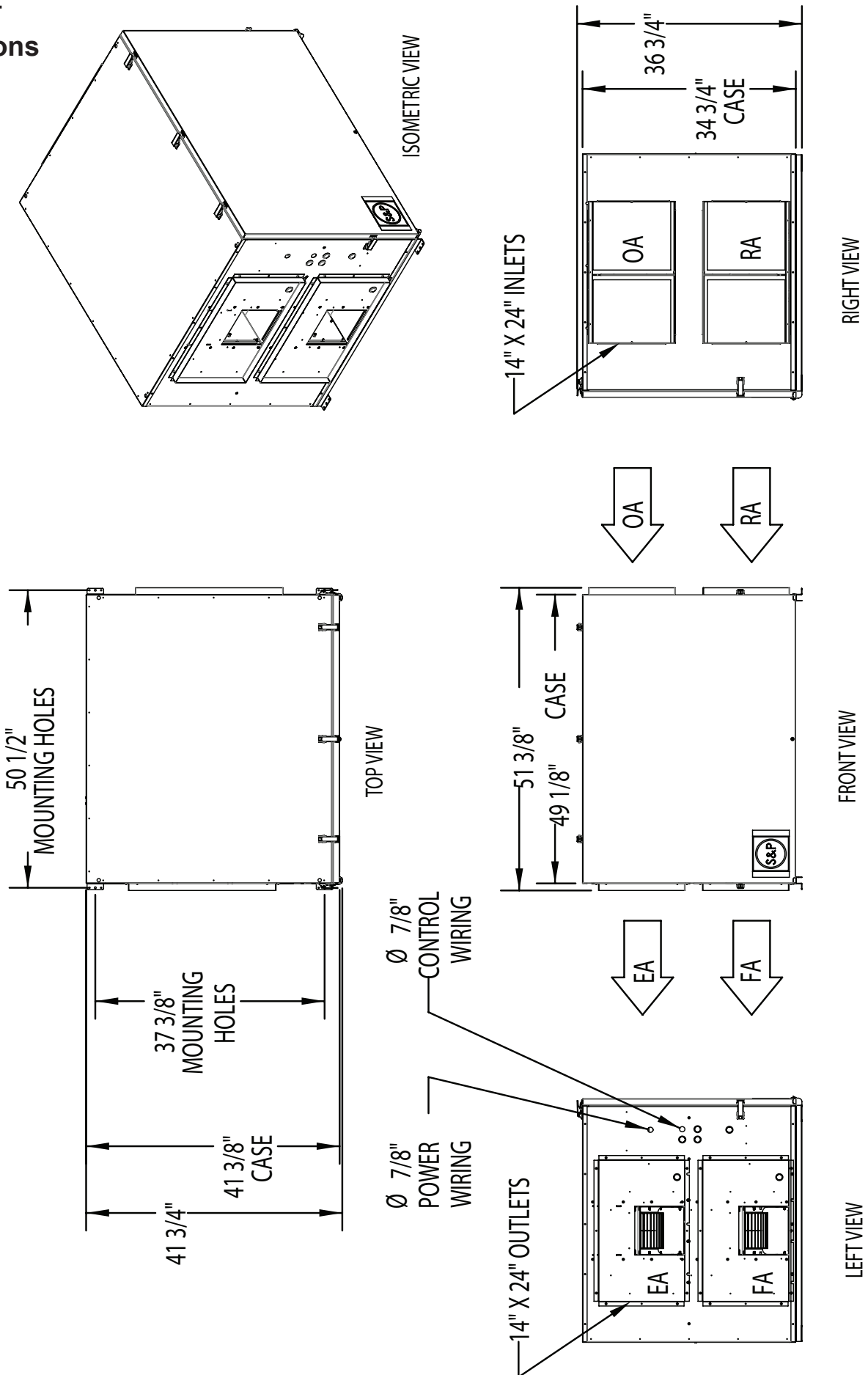
Note: Brake Horse Power (BHP) is for one blower motor package only.

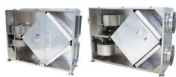


TRC1600

Dimensions

EA: Exhaust Air to outdoors
 OA: Outdoor Air intake
 RA: Room Air to be exhausted
 FA: Fresh Air to inside





AHRI 1060-2005 - CERTIFIED PERFORMANCE

AHRI-1060 Certified Performance - Model Number L85-G5 (used in TRC500)													
Type		Tilt Angle				Nominal Airflow				Pressure Drop			
Plate		N/A				100% - 450 SCFM				0.6 in. H ₂ O			
						75% - 338 SCFM				0.5 in. H ₂ O			

Leakage Ratings					Thermal Effectiveness Ratings at 0" Pressure Differential								
	Pressure Differential	EATR	OACF	Purge Angle or Setting	Nominal Airflow		Sensible	Latent	Total	Net Airflow	Net Sensible	Net Latent	Net Total
Test 1	-1 in. H ₂ O	1.0%	1.00	N/A	450 CFM	Heating	73%	53%	66%	450 CFM	73%	53%	66%
						Cooling	73%	46%	56%		73%	46%	56%
Test 2	0 in. H ₂ O	0.0%	1.02	N/A	338 CFM	Heating	77%	60%	71%	338 CFM	77%	60%	71%
						Cooling	77%	52%	61%		77%	52%	61%

AHRI-1060 Certified Performance - Model Number L125-G5 (used in TRC800 & TRC1600)													
Type		Tilt Angle				Nominal Airflow				Pressure Drop			
Plate		N/A				100% - 750 SCFM				0.65 in. H ₂ O			
						75% - 563 SCFM				0.45 in. H ₂ O			

Leakage Ratings					Thermal Effectiveness Ratings at 0" Pressure Differential								
	Pressure Differential	EATR	OACF	Purge Angle or Setting	Nominal Airflow		Sensible	Latent	Total	Net Airflow	Net Sensible	Net Latent	Net Total
Test 1	-1 in. H ₂ O	1.0%	1.00	N/A	750 CFM	Heating	71%	52%	64%	750 CFM	71%	52%	64%
						Cooling	71%	43%	53%		71%	43%	53%
Test 2	0 in. H ₂ O	0.0%	1.02	N/A	563 CFM	Heating	75%	59%	69%	563 CFM	75%	59%	69%
						Cooling	75%	50%	59%		75%	50%	59%

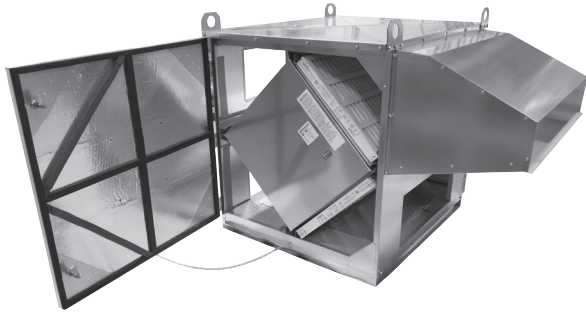
NOTE: SCFM = Standard Cubic Feet per Minute OACF = Outdoor Air Correction Factor EATR = Exhaust Air Transfer Ratio N/A = Not Applicable

Energy recovery components certified in accordance with AHRI Standard 1060-2005. Actual Performance in packaged equipment may vary.



MODEL CRT

OUTDOOR CABINET WITH CORES



10-YEAR
Core Warranty

AHRI CERTIFIED

MODEL FEATURES

- MERV-8 filters
- Fully insulated case
- Large cores for high efficiency
- No condensate pan or drain required
- AHRI Certified
- Rainhood included
- Access door for easy maintenance and Cleaning
- Integral lifting lugs

MODEL OVERVIEW

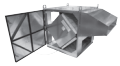
The Models CRT consist of an insulated sheet metal cabinet with 2, 3 or 4 ERV cores and MERV 8 filters. These roof mounted cabinets are designed for retrofit or new construction applications where space for an ERV does not meet the requirements. The CRT provides cost effective energy recovery with the flexibility in location of the supply and exhaust blowers.

STANDARD FEATURES

- G5 - AHRI Certified performance data for efficiency and cross leakage
- Ten year core performance warranty
- No liquid water (condensate) or accompanying drain line to deal with - as with many competing brands
- Hinged and latched access door to ERV cores with airtight outdoor exposure compression seals
- Built-in pressure ports with captive plugs allowing cross-core pressure measurement and accurate airflow measurement
- Rainhood standard, ships assembled with unit
- One inch thick dense fiberboard insulation with scrimmed foil facing - washable, durable and easy to maintain - no loose insulation fibers to break off and enter the airstreams
- UL tested flammability and smoke generation that meets NFPA 90A and 90B test standards for commercial applications
- MERV 8, 2" pleated, 20"x20" nominal size filters as follows:
 - C2XRT: Four total, two for each airstream
 - C3XRT: Six total, three for each airstream
 - C4XRT: Eight total, four for each airstream

10-year industry best core warranty. 2-year warranty on balance of unit.

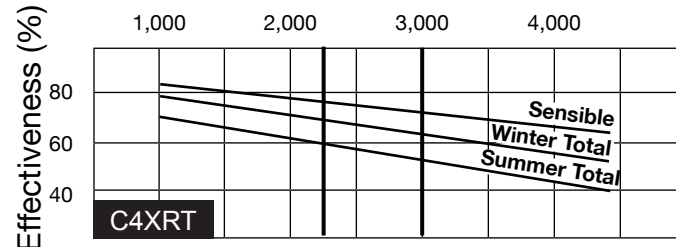
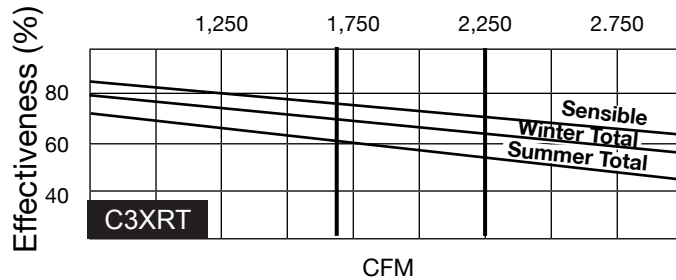
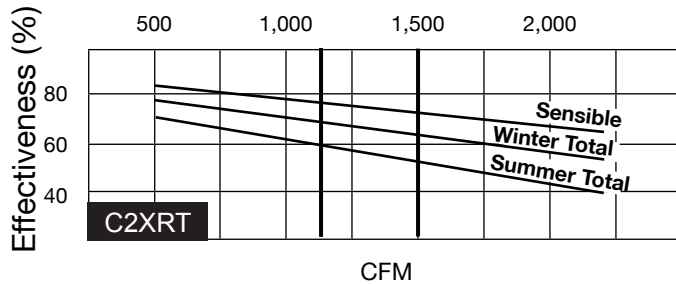
All specifications are subject to change without notice unless approved in submittal by JencoFan.



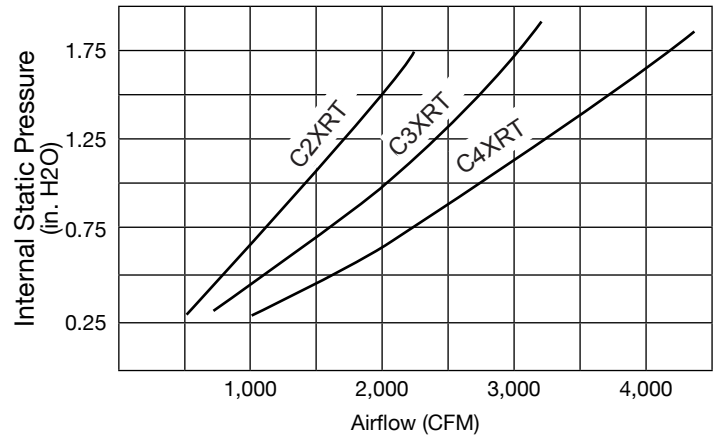
SPECIFICATIONS

Ventilation Type: Static Plate, Heat and Humidity Transfer			
Insulated sheet metal cabinets with energy exchange cores and filters			
Individual CRT Series units can be built to larger air handling systems			
Blower not included and must be specified to meet job requirements			
Description	C2XRT	C3XRT	C4XRT
Typical Airflow Range CFM	500-2,200	750-3,300	1,000-4,000
AHRI 1060 Certified Core	Two (2) L125-00	Three (3) L125-00	Four (4) L-125-00
Airflow Rating Points (for AHRI)	1,500 and 1,120 CFM	2,250 and 1,690 CFM	3,000 and 2,250 CFM
Unit Weight	250 lbs	377 lbs	462 lbs
Shipping Weight	310 lbs	477 lbs	562 lbs
Filters: MERV 8, 2" pleated 20" x 20" nominal sizes	Four (4) Total	Six (6) Total	Eight (8) Total
Shipping Dimensions (W x L x H)	62" x 48" x 48"	62" x 96" x 48"	62" x 96" x 48"
Insulation: One inch, high density, FSK faced, fiberglass			
Options: Double wall construction			

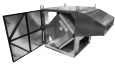
G5 Core Performance



Airflow Performance

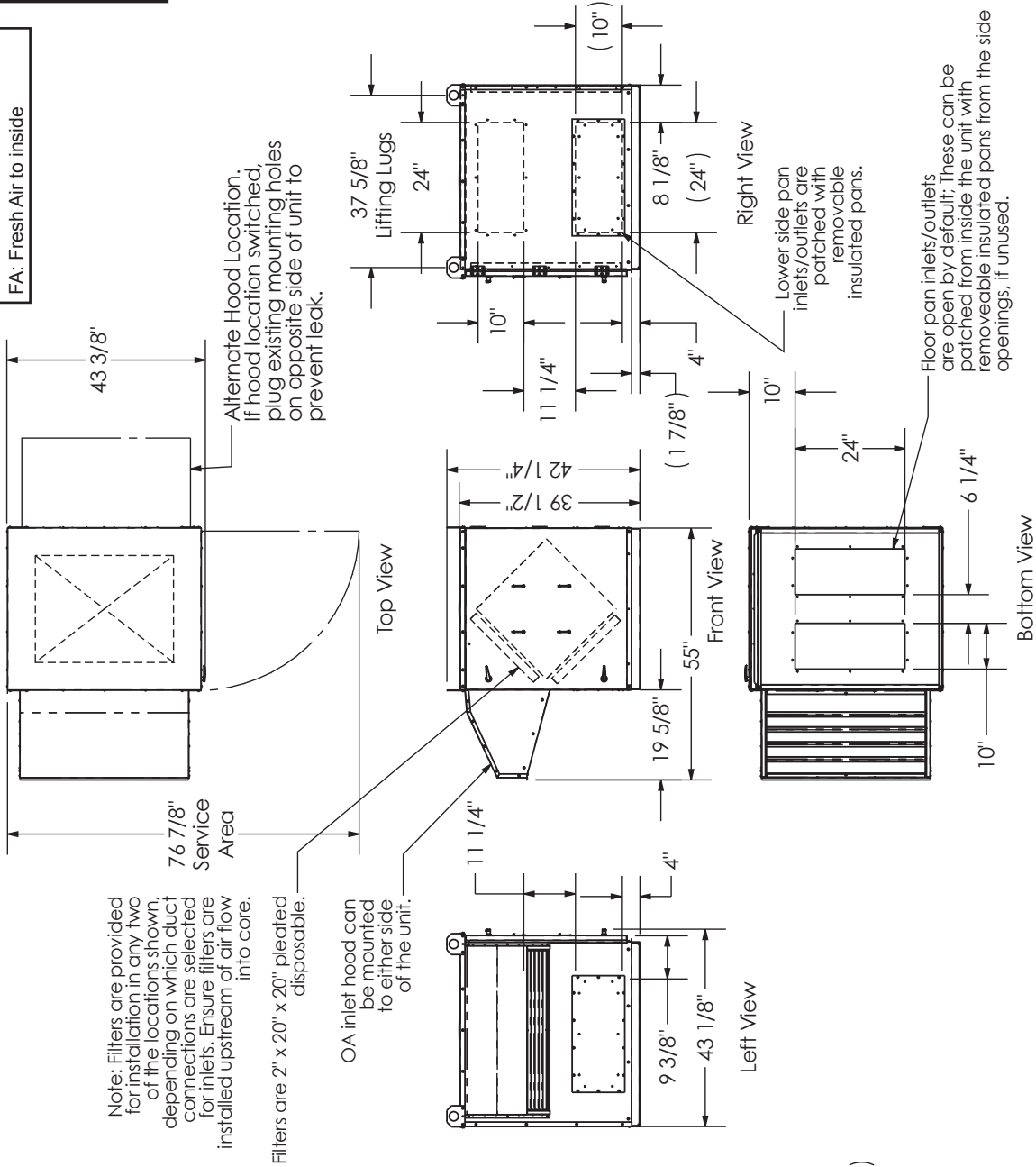


*At AHRI 1060 standard conditions
(Contact Factory for certified data for core components.)

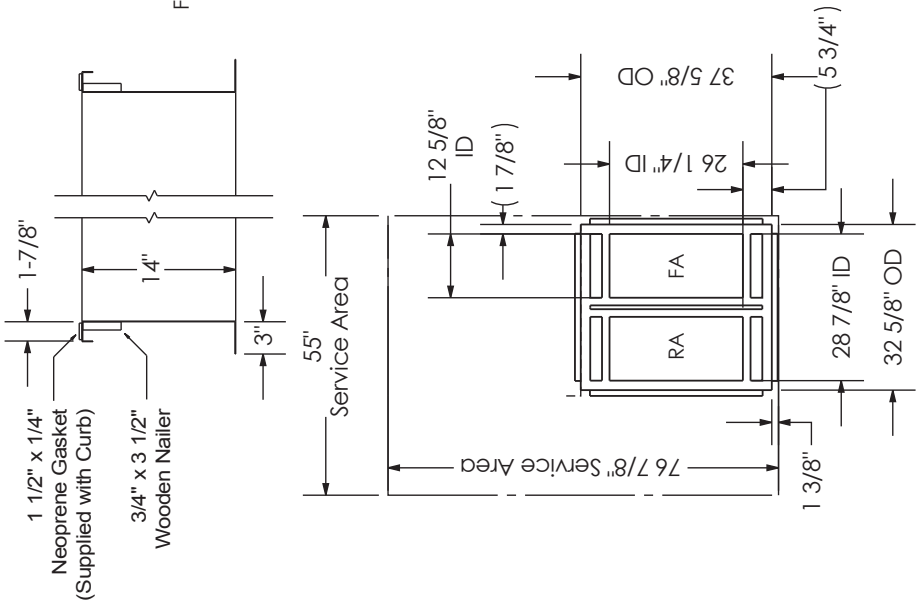


C2XRT Dimensions

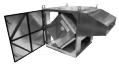
EA: Exhaust Air to outdoors
OA: Outdoor Air intake
RA: Room Air to be exhausted
FA: Fresh Air to inside



Curb Cross Section (Typical for All)

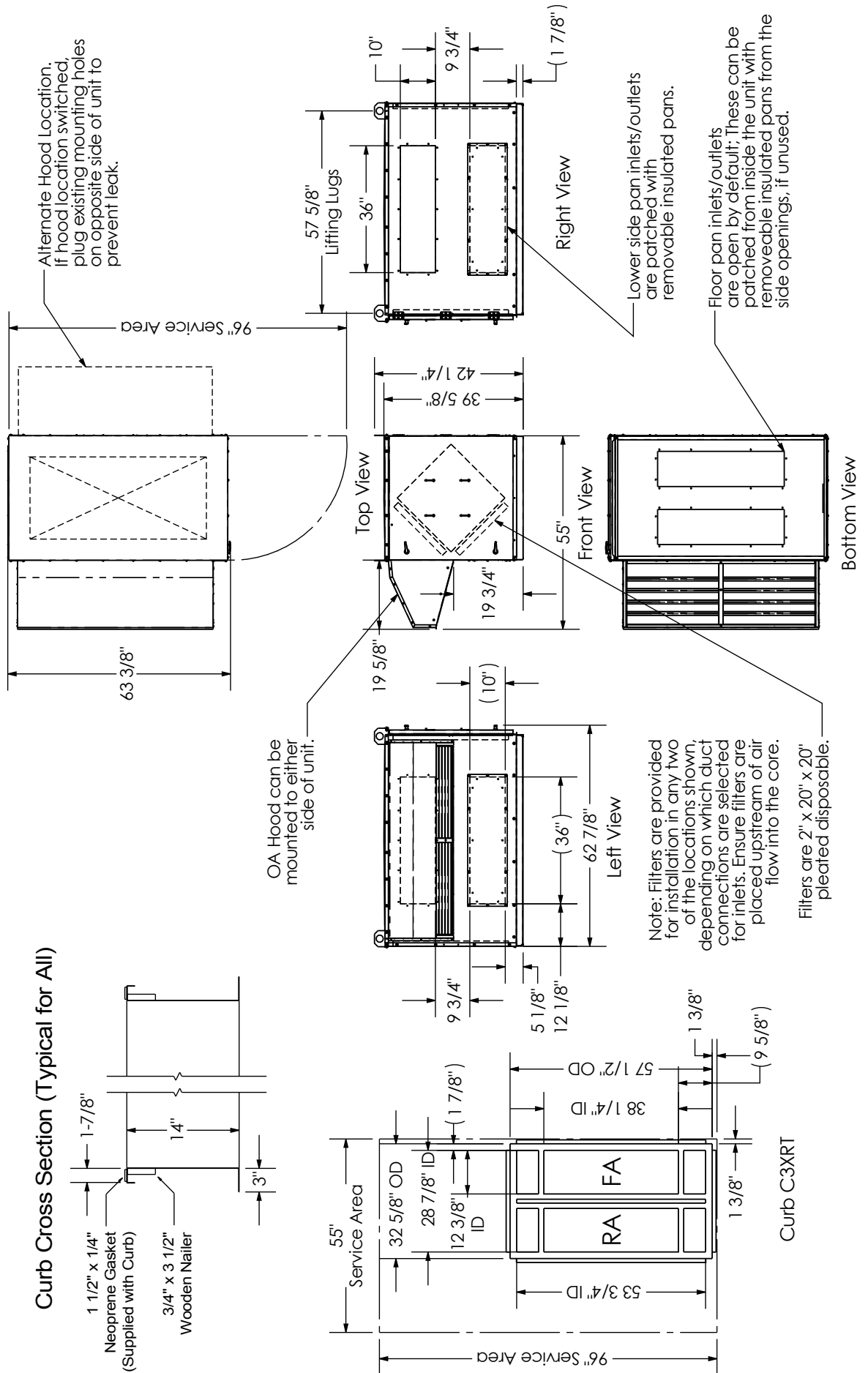


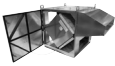
Curb C2XRT



C3XRT Dimensions

EA: Exhaust Air to outdoors
OA: Outdoor Air intake
RA: Room Air to be exhausted
FA: Fresh Air to inside

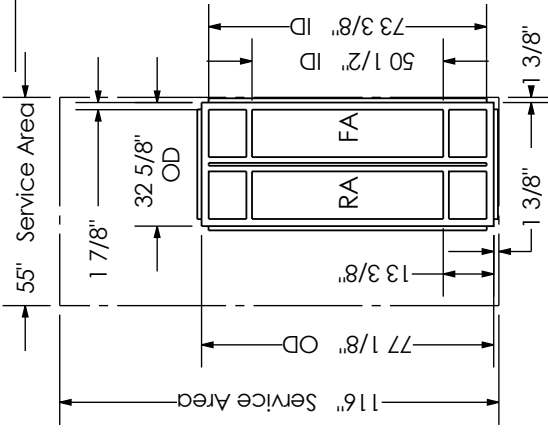
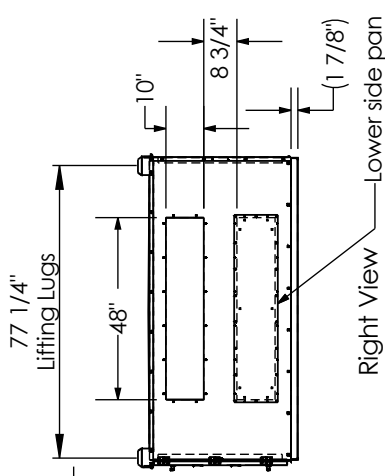
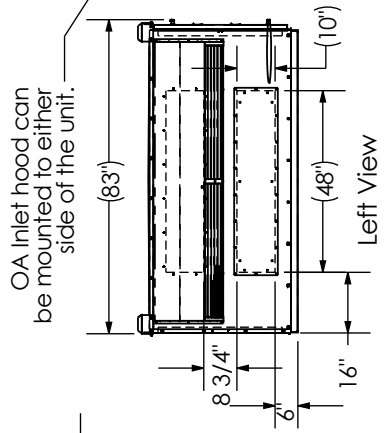
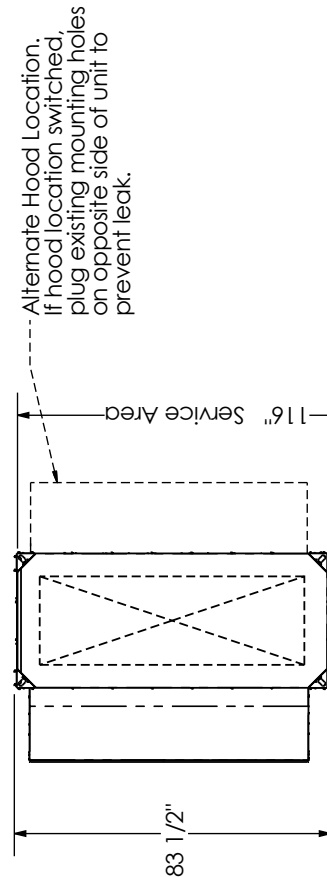
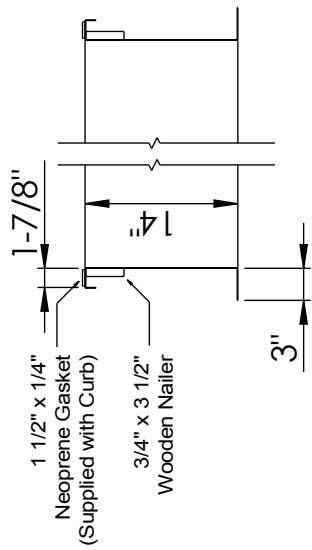




C4XRT Dimensions

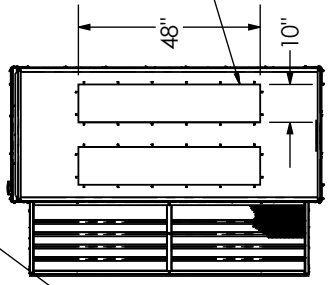
EA: Exhaust Air to outdoors
OA: Outdoor Air intake
RA: Room Air to be exhausted
FA: Fresh Air to inside

Curb Cross Section (Typical for All)



Note: Filters are provided for installation in any two of the locations shown, depending on which duct connections are selected for inlets. Ensure filters are installed upstream of air flow into core.

Filters are 2" x 20" x 20" pleated disposable.



Floor pan inlets/outlets are open by default. These can be patched from inside the unit with removable insulated pans from the side openings, if unused.

Alternate Hood Location. If hood location switched, plug existing mounting holes on opposite side of unit to prevent leak.

Lower side pan inlets/outlets are patched with removable insulated pans.

Bottom View

Front View

Top View

Right View

Left View

MODEL HR

HEAT RECOVERY VENTILATORS




MODEL FEATURES

- Polypropylene HRV core
- 3 operating modes
- Painted galvanized steel case
- Designed for simple installation by a single person
- Fully insulated case
- **Limited lifetime warranty** on the heat recovery core
- 5-year warranty on balance of unit

MODEL OVERVIEW

The JencoFan HR Series heat recovery ventilators (HRVs) are ideal for use in cold climates where home heating is essential. The HR Series uses one motor to exhaust stale room air and another motor to bring fresh outdoor air back into the house. The technology of a plate heat recovery core is that it transfers warm ambient air from one airstream to the other without mixing the air streams for maximum efficiency and comfort.

The HR Series has been engineered & designed to improve indoor air quality by reducing excess humidity or other contaminants during the winter time, and replacing this air by fresh filtered air from the outdoors. During colder seasons, the units heat recovery core (polypropylene core) will reclaim the heat from the outgoing stale air and use this heat to temper the incoming fresh air, which reduces the cost of effectively ventilating the home during winter. This process is reversed in the summer months.



Model HR is available in our Quickship program. All sizes are available for next day shipping from stock.

Limited Lifetime core warranty. 5-year warranty on balance of unit.

All specifications are subject to change without notice unless approved in submittal by JencoFan.

GC_HR_0114

January 2012

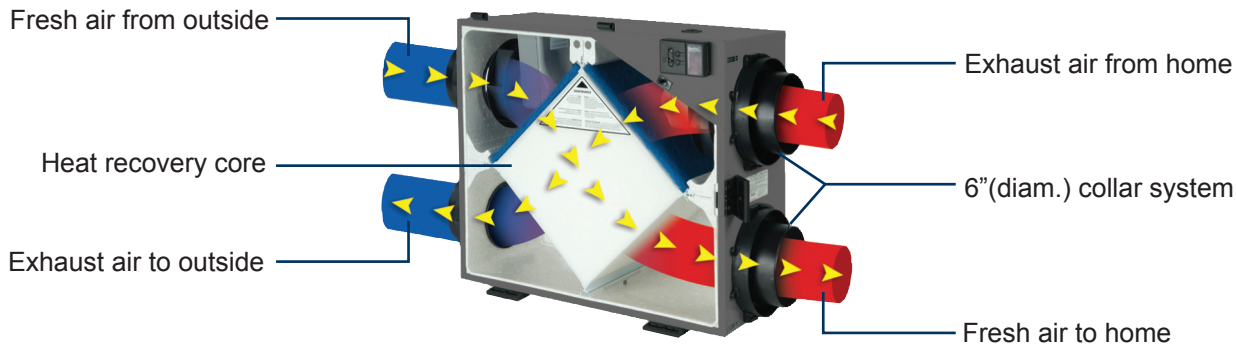


STANDARD SPECIFICATIONS AND FEATURES

- Polypropylene HRV core
- 3 operating modes (Intermittent, Continuous and High Speed)
- Duotrol™ balancing system reduces noise that would be produced by balancing dampers
- Unique collar system for easy manipulation of duct for better and quicker installation
- Painted galvanized steel case
- Designed for simple installation by a single person
- Washable filters
- Fully insulated case
- **Limited lifetime warranty** on the heat recovery core
- 5-year warranty on balance of unit

The HRV Core

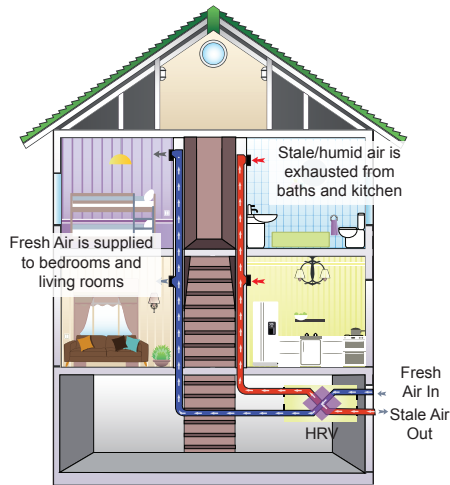
- During colder seasons the core will reclaim the heat from the outgoing stale air and reuse this heat to temper the incoming fresh air
- Designed to maximize airflow and performance
- Reduces the cost of effectively heating the home during the winter
- Constructed from a composite of polypropylene materials that allows latent heat transfer from one airstream to another while preventing cross contamination
- Polypropylene (plastic) core reduces condensation compared to aluminum cores
- Limited lifetime warranty



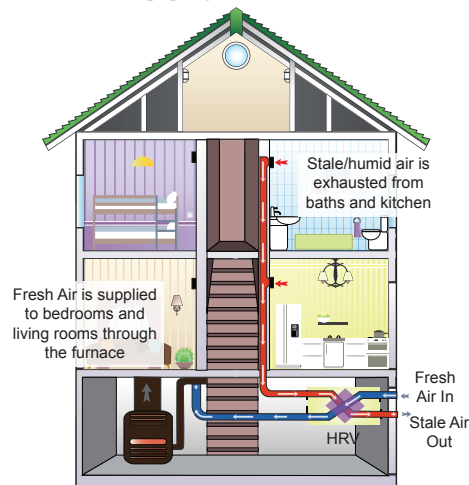
Types of Installation

The HR Series can be installed as independent systems that use independent ductwork or they can be connected to the existing duct of the forced air heating or cooling system. The “Best” and “Better” systems meet the ASHRAE 62.2 Whole Building requirement when using an JencoFan HR control (see pg 18).

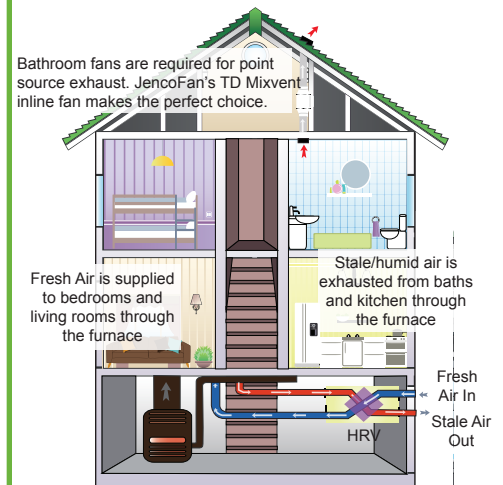
The Best System: Independent System



The Better System: Exhaust at the source and supply in the return



The Good System: Exhaust and supply in the return



JencoFan's HRV System



- **DuoTrol™ Systems:** Selects ventilation modes (OFF, CONT or INTER), also to adjust the continuous airflow rates: Increasing (+)/Decreasing (-).
- **Motors(2):** Designed with high performance and reliability, they are maintenance free for comfort and peace of mind.
- **Synthetic Filters:** Capture the largest particle & protects the heat recovery core from potential obstruction by these particles.
- **Heat Recovery Core:** A polypropylene cross-flow type it is designed to transfer the heat between both exhaust & supply air streams without allowing any contamination or mixing of both air streams to maximize the efficient and improve indoor air quality.
- **Condensate Drain Pan & Drainage Hose:** Captures the water that accumulates during the heat transfer and defrosts sequence in the fall, winter & early spring seasons. Drain hose is connected to the drain pan and serves as drainage for the accumulation of water. It is normal during summer months to find no condensation in drain pan or in drainage hose.
- **Automatic Defrost Sequence:** The defrost sequence is electronically controlled to measure the incoming outdoor air temperature, the sequence is activated at -5°C (23°F) and colder and the duration is for 5 minutes then returns to normal operation for 25 minutes. This system eliminates that the heat recovery core doesn't build with ice or freezes.
- **Defrost sequence:** Supply fan shuts down, the exhaust fan speed increases pending the measured outside temperature.

CONTROLS



HRT-3 - Push Button Timer

- The HRT-3 model push button timer allows the homeowner control of the indoor humidity level in rooms where excess humidity is produced
- Press the button once the LED comes on then release, this activates the ventilation system to high speed for 20 minutes.
- Press the button until the LED blinks 2 times then release, this activates the ventilation system to high speed for 40 minutes.
- Press the button until the LED blinks 3 times then release, this activates the ventilation system to high speed for 60 minutes.
- Meets ASHRAE 62.2 continuous ventilation standards



HRRD-1 - Dehumidistat

- The HRRD-1 allows the users to select the humidity level using the Relative Humidity Sensor Dial
- The Relative Humidity Sensor Dial will “click” when the dial reaches approximate level of relative humidity and overrides the ventilation system to high speed once the level of humidity is above the set point
- For best results install in bathrooms, kitchen and laundry room
- Meets ASHRAE 62.2 continuous ventilation standards



HRRD-3P - Dehumidistat

- The HRRD-3P allows the users to select the humidity percentage, fan range and operation modes.
- Includes Relative Humidity Sensor, Speed Control Selector Switch and Mode Selector Switch
- The Relative Humidity Sensor Dial will “click” when the dial reaches approximate level of relative humidity and overrides the ventilation system to high speed once the level of humidity is above the set point
- Speed Control (OFF, NORMAL and REDUCED)
- Mode Control (INTERM and CONT)
- For best results install in bathrooms, kitchen and laundry room
- Meets ASHRAE 62.2 continuous ventilation standards

HR100V



Specifications

Polypropylene HRV Core: cross-flow that transfers sensible heat			
Typical Airflow Range: 30-100 CFM			
Duct Connections: Four (4) 5" oval ISF double collar system			
Number Motors: Two (2) PSC variable speed backward curved			
V	Hz	Phase	Amperage
120	60	Single	0.85 A / 66 watts
Exchange surface: 63.5 ft ²			
Defrost type: Evacuation			
Filters: Two (2) Fiberbond washable			
Drain Connection: 1/2"			
DuoTrol: Integrated Balancing System			
Weight: 33.5 lbs (unit), 41 lbs (in carton)			
Dimensions: 22" W x 19-13/16" L x 14-19/32" H			
Options: HRT-3 - Push Button Timer HRRD-1 - Dehumidistat HRRD-3P - Dehumidistat			

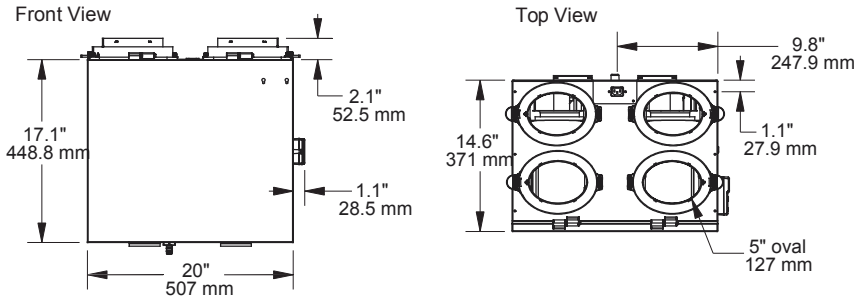
Energy Performance (Heating)

Supply Temperature		Net Air Flow		Power Consumed (Watts)	Sensible Recovery Efficiency	Apparent Sensible Effectiveness
°F	°C	CFM	L/s			
32	0	40	19	28	64	72
32	0	65	30	40	59	66
-13	-25	37	18	30	55	73

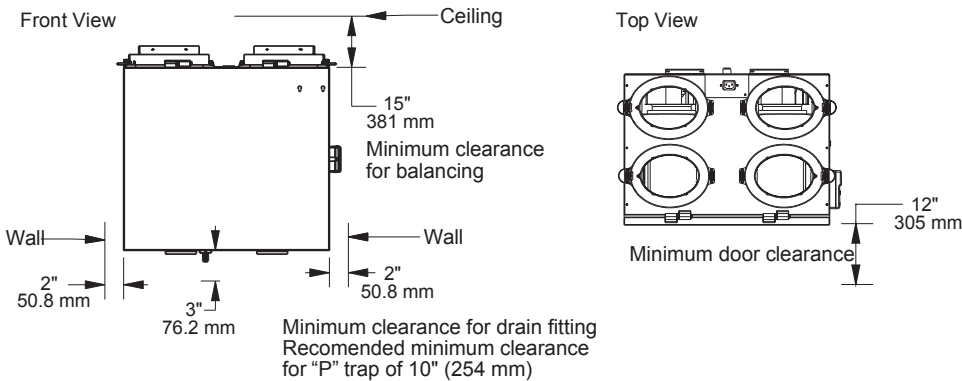
Ventilation Performance

External Static Pressure		Net Air Flow		Gross Air Flow Supply		Gross Air Flow Exhaust	
Pa	in. w.g.	L/s	CFM	L/s	CFM	L/s	CFM
25	0.1	47	99	48	100	48	102
50	0.2	44	93	45	94	43	92
75	0.3	39	83	40	84	38	80
100	0.4	35	75	35	75	36	78
125	0.5	30	65	30	66	32	68
150	0.6	27	56	27	57	25	52
175	0.7	22	46	22	47	19	41

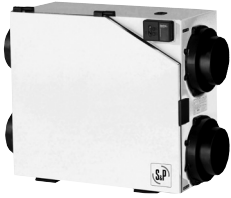
Dimensions



Minimum Clearance Data



HR160H



Specifications

Polypropylene HRV Core: cross-flow that transfers sensible heat			
Typical Airflow Range: 30-160 CFM			
Duct Connections: Four (4) 6" dia. ISF double collar system			
Number Motors: Two (2) PSC variable speed backward curved			
V	Hz	Phase	Amperage
120	60	Single	1.5 A / 142 watts
Exchange surface: 85 ft ²			
Defrost type: Evacuation			
Filters: Two (2) Fiberbond washable			
Drain Connection: 1/2"			
DuoTrol: Integrated Balancing System			
Weight: 43 lbs (unit), 49 lbs (in carton)			
Dimensions: 29-1/2" W x 22-1/2" L x 11-3/8" H			
Options: HRT-3 - Push Button Timer HRRD-1 - Dehumidistat HRRD-3P - Dehumidistat			

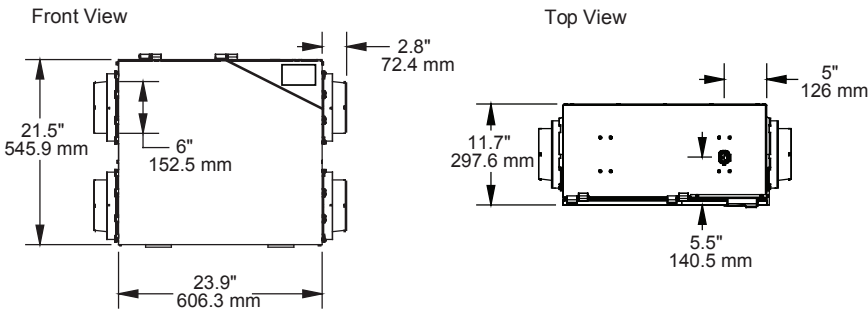
Energy Performance (Heating)

Supply Temperature		Net Air Flow		Power Consumed (Watts)	Sensible Recovery Efficiency	Apparent Sensible Effectiveness
°F	°C	CFM	L/s			
32	0	65	31	72	66	75
32	0	83	39	80	63	72
32	0	107	50	94	60	67
-13	-25	76	36	72	56	73

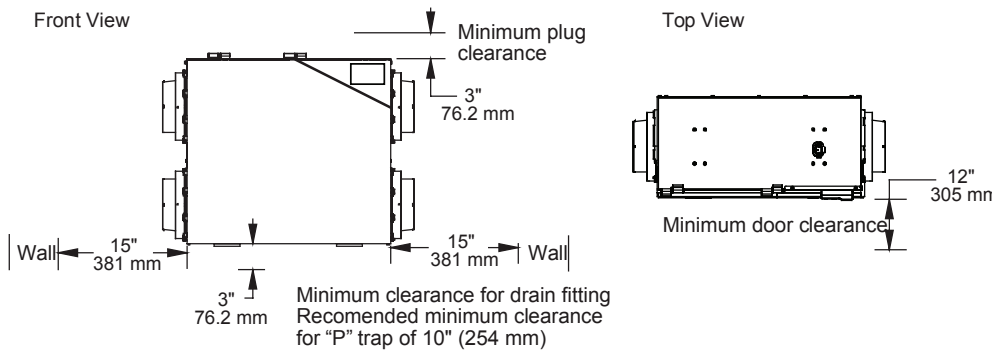
Ventilation Performance

External Static Pressure		Net Air Flow		Gross Air Flow Supply		Gross Air Flow Exhaust	
Pa	in. w.g.	L/s	CFM	L/s	CFM	L/s	CFM
25	0.1	91	193	91	194	103	217
50	0.2	84	178	85	179	95	201
75	0.3	77	163	77	163	86	183
100	0.4	71	150	71	151	80	169
125	0.5	63	133	63	134	71	152
150	0.6	57	120	57	121	66	138
175	0.7	51	109	51	109	57	121

Dimensions



Minimum Clearance Data



HR220H



Specifications

Polypropylene HRV Core: cross-flow that transfers sensible heat			
Typical Airflow Range: 70-220 CFM			
Duct Connections: Four (4) 6" dia. ISF double collar system			
Number Motors: Two (2) PSC variable speed backward curved			
V	Hz	Phase	Amperage
120	60	Single	1.5 A / 142 watts
Exchange surface: 150 ft ²			
Defrost type: Evacuation			
Filters: Two (2) Fiberbond washable			
Drain Connection: 1/2"			
DuoTrol: Integrated Balancing System			
Weight: 51 lbs (unit), 59 lbs (in carton)			
Dimensions: 29-1/2" W x 22-1/2" L x 16-1/2" H			
Options:			
HRT-3 - Push Button Timer			
HRRD-1 - Dehumidistat			
HRRD-3P - Dehumidistat			

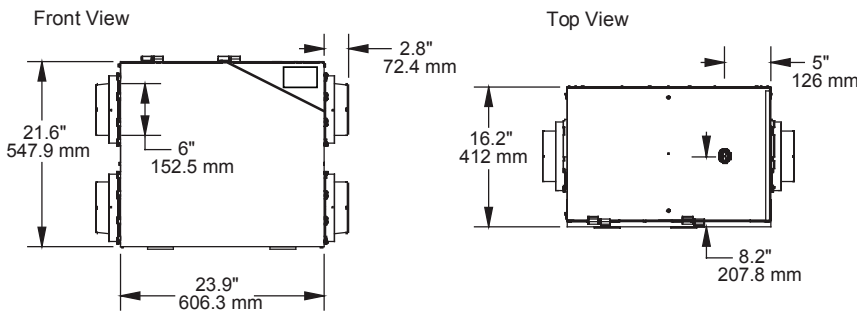
Energy Performance (Heating)

Supply Temperature		Net Air Flow		Power Consumed (Watts)	Sensible Recovery Efficiency	Apparent Sensible Effectiveness
°F	°C	CFM	L/s			
32	0	118	55	106	61	71
32	0	160	75	132	58	65
32	0	185	87	150	55	62
-13	-25	120	57	105	58	72

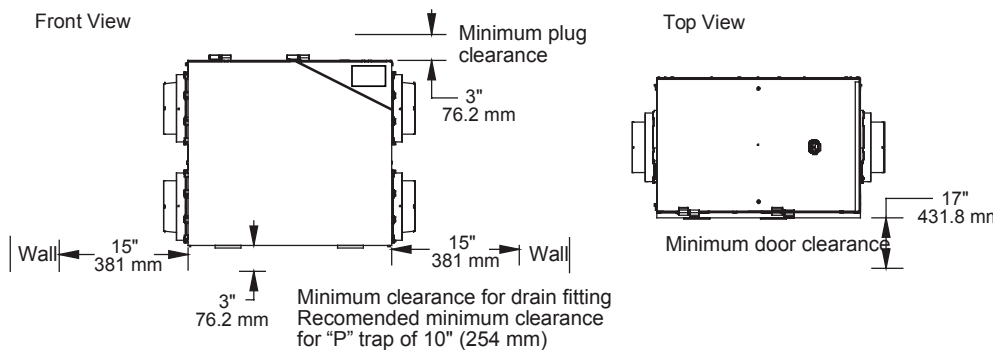
Ventilation Performance

External Static Pressure		Net Air Flow		Gross Air Flow Supply		Gross Air Flow Exhaust	
Pa	in. w.g.	L/s	CFM	L/s	CFM	L/s	CFM
25	0.1	117	248	118	250	130	277
50	0.2	108	229	109	231	119	253
75	0.3	102	218	103	220	110	234
100	0.4	94	200	95	202	101	216
125	0.5	85	181	86	183	92	197
150	0.6	77	163	78	165	82	175
175	0.7	69	146	70	148	71	151

Dimensions



Minimum Clearance Data



MODEL LPD

LOW PROFILE DIRECT DRIVE CENTRIFUGAL ROOF/SIDEWALL EXHAUSTER



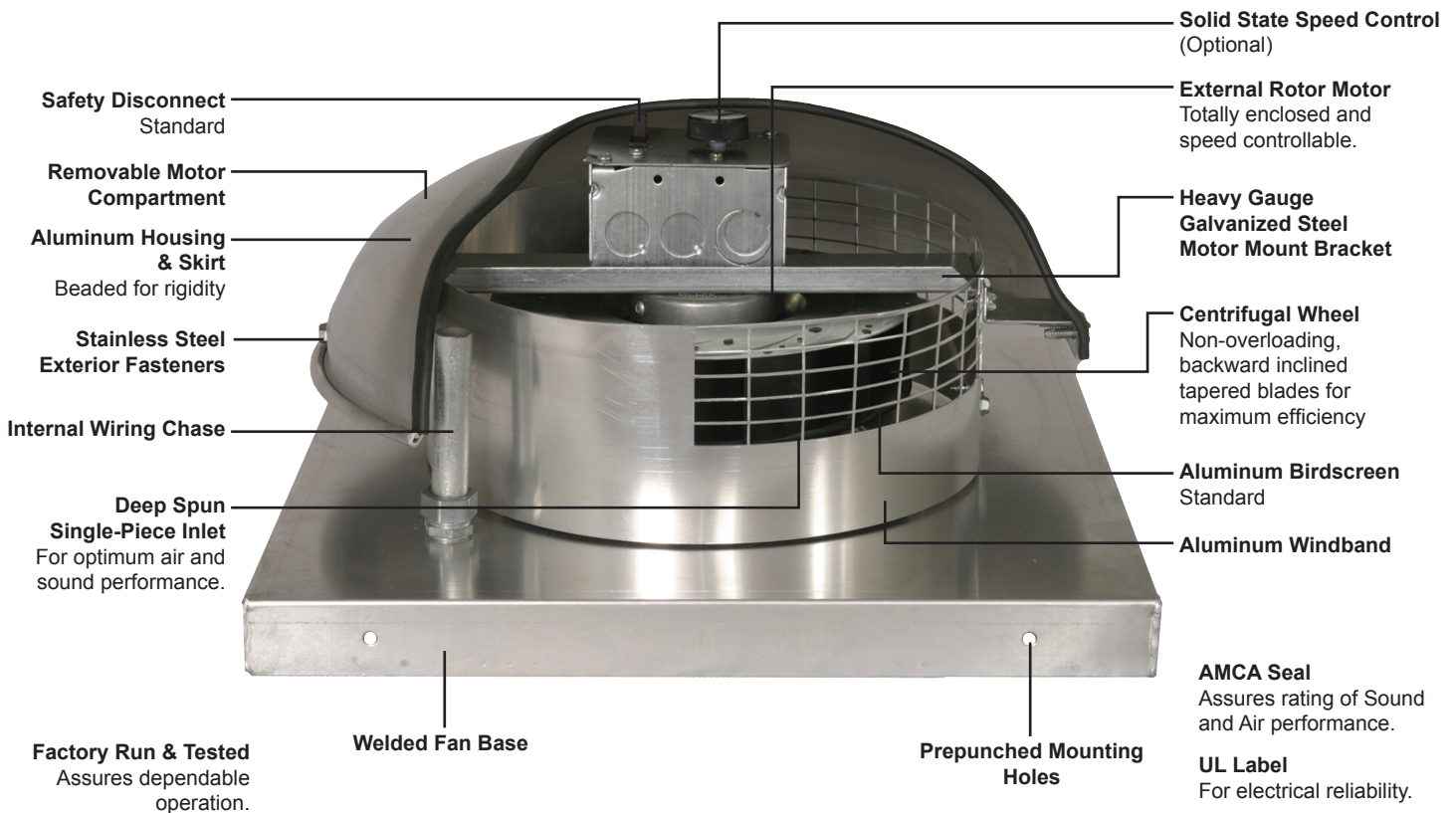
MODEL FEATURES

- Exhaust air up to 420 CFM in high static pressure applications up to 1-3/4" w.g.
- Low profile attractive spun aluminum exterior
- Direct drive units have low sound levels and quiet operation
- Non-overloading backward inclined wheel for efficiency at higher static pressures
- Roof or sidewall mounting options
- AMCA Air and Sound Licensed
- cULus 705 Listed


MODEL OVERVIEW

Model LPD direct drive fans are designed to exhaust air in low CFM, up to 420, high static pressure applications to 1-3/4". When aesthetics are a concern the low profile design of the LPD is the perfect choice. The LPD is generally used for bathroom, office, or light commercial ventilation in ducted systems; and can be mounted either on the roof or wall as the application requires.

CONSTRUCTION FEATURES AND OPTIONS



Model LPD is available in our Quickship program for next day shipping from stock.



Industry best 5 year fan housing warranty, 3 year motor warranty

All specifications are subject to change without notice unless approved in submittal by JencoFan.



CONSTRUCTION/SPECIFICATION CHECKLIST

Housing

- Ultra low profile, aluminum construction.
- Curb cap has integral deep spun inlet for efficient performance and prepunched mounting holes for ease of installation.
- Spun aluminum hood and skirt for weather protection and attractive appearance.
- Up to 140°F airstream temperature.
- Heavy-gauge motor support for rigidity and strength.
- Quick access to motor compartment for ease of maintenance.
- Conduit passage for easy electrical connection from below roof.
- Birdscreen included on standard all models

Wheel

- Backward inclined for efficiency at higher static pressure.
- Non-overloading for safe operation in ducted systems.
- Tapered blades for efficiency and quiet operation.
- Wheels constructed of noncorrosive aluminum.
- Statically and dynamically balanced for smooth operation.

Speed Controllable Motors

- Unique external rotor design.
- Permanently lubricated bearings.
- Internal thermal protection.
- Standard motors are single speed, speed controllable, totally enclosed.
- All motors are rated for continuous duty.
- Disconnect is standard.
- 115V, 230V and 60/50 motor options.

Certifications

- AMCA Air and Sound Licensed.
- cULus 705 Listed Power Roof Ventilator label assures electrical reliability.
- UL label must be specified when needed.

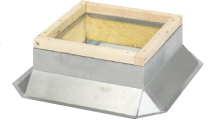


OPTIONS/ACCESSORIES

Solid State Speed Control: JencoFan's solid state control is matched to allow smooth RPM variation and adjustment of airflow for system balancing. CFM is reduced in direct proportion to motor speed reduction. Speed controllers available for 115/1 or 230/1 operation. Exhauster performance can be controlled from the ventilated area.



Roof Curb: Prefabricated heavy-gauge galvanized steel, welded construction, 12" high (other heights are also available) with 1-1/2" wood nailer. Assures perfect fit of exhauster to roof opening. Options include burglar bars, single or double pitch construction and hinged curbs for easy duct access.



Motor Operated Damper: Motor operated aluminum damper for positive closure against backdraft.



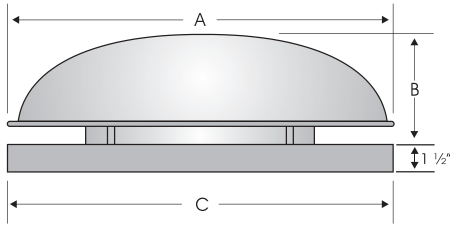
Automatic Damper: Automatic aluminum damper for ease in installation and effective backdraft protection.

Curb Hinge Arrangement: The curb hinge arrangement provides easy access to the exhaust fan, backdraft damper, and duct for servicing and cleaning.

Special Coatings: Powered roof exhausters often require special coatings for protective and decorative purposes. Available coatings include: Synthetic Resin, Epoxy, and Heresite (air-dried phenolic). Contact your representative or the factory for more information on available coatings and colors.



PERFORMANCE/DIMENSIONS



Size	O.D. Damper	Roof Opening	Curb O.D.	A	B	C	Average Ship Wt. Lbs.
6	11	11-3/4	14-3/4	16-1/2	7	16-1/2	12
8	11	11-3/4	14-3/4	16-1/2	7	16-1/2	15

60 Hz

Model LPD	CFM @ Static Pressure											RPM (Nom.)	Max Motor Watts & Amps	Sones @ 1/2"
	0	1/8	1/4	3/8	1/2	5/8	3/4	1	1-1/4	1-1/2	1-3/4			
LPD06A60 115/1/60	302	268	247	222	197	175	155	118	87	52	-	2800	90 / 0.8	7.2
LPD08A60 115/1/60	387	358	331	303	275	245	222	178	138	98	63	2775	115 / 1.0	11.9
LPD06C60 230/1/60	293	263	245	225	204	184	167	128	82	57	-	2900	90 / 0.4	9.1
LPD08C60 230/1/60	423	381	350	316	292	265	238	188	140	97	52	2950	115 / 0.5	14.1

50 Hz

Model LPD	CFM @ Static Pressure											RPM (Nom.)	Max Motor Watts & Amps	Sones @ 1/2"
	0	1/8	1/4	3/8	1/2	5/8	3/4	1	1-1/4	1-1/2	1-3/4			
LPD06C50 230/1/50	279	252	232	213	196	172	156	115	67	-	-	2700	65 / 0.3	9.1
LPD08C50 230/1/50	390	345	317	292	263	237	213	161	105	43	-	2725	85 / 0.43	14.1

Performance certified is for installation type A-free inlet, free outlet. Performance ratings include the effects of birdscreen in the airstream. The sound ratings shown are loudness values in fan sones @ 5' (1.5m) in a hemispherical free field calculated per AMCA Standard 301. Values shown are for: Installation Type A: free inlet hemispherical sone levels. Speed (RPM) shown is nominal. Performance is based on actual speed of test.



JencoFan, Div. of Soler & Palau Ventilation Group, certifies that the Models LPD shown herein are licensed to bear the AMCA Seal. The ratings shown are based on test and procedures performed in accordance with AMCA Publication 211 and AMCA Publication 311 and comply with the requirement of the AMCA Certified Ratings Program.

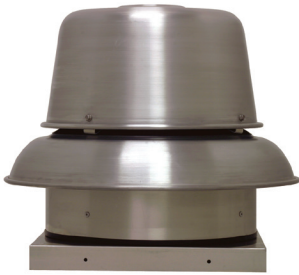


JencoFan patented motorized impellers typically exceed manufacturer's RPM ratings as shown in the AMCA certified performance table above. Motor manufacturer's published ratings are:

LPD06A60: 115/1/60/TE, 2600 RPM LPD08A60: 115/1/60/TE, 3050 RPM
 LPD06C60: 230/1/60/TE, 2600 RPM LPD08C60: 230/1/60/TE, 3050 RPM
 LPD06C50: 230/1/50/TE, 2500 RPM LPD08C50: 230/1/50/TE, 2700 RPM

MODEL RED

DIRECT DRIVE CENTRIFUGAL ROOF EXHAUSTER



MODEL FEATURES

- Exhaust air up to 3,000 CFM in high static pressure applications up to 1" w.g.
- Attractive spun aluminum exterior
- Direct drive units have low sound levels and quiet operation
- Non-overloading backward inclined wheel for efficiency at higher static pressures
- AMCA Air and Sound Licensed
- cULus 705 Listed

MODEL OVERVIEW

Model RED direct drive fans are designed to exhaust air up to 3,000 CFM in high static pressure applications to 1". The spun aluminum exterior provides an attractive appearance. The non-overloading backward inclined wheel with its higher static pressure capability makes this unit suitable for either ducted or nonducted applications. Its roof mounting permits location near the area to be ventilated, allowing short duct runs and more efficient operation.

The RED is generally used to exhaust air from all types of commercial and institutional buildings such as hospitals and health care facilities, schools, recreational buildings, machinery and equipment rooms, offices, retail stores and similar applications.

CONSTRUCTION FEATURES AND OPTIONS

Solid State Speed Control
(Optional)

Stainless Steel Exterior Fasteners

Aluminum Birdscreen
Standard.

Centrifugal Wheel
Non-overloading, backward inclined tapered blades for maximum efficiency.

Factory Run & Tested
Assures dependable operation.

AMCA Seal
Assures rating of Sound and Air performance.

Motor
Open drip-proof construction standard, ships assembled.

Safety Disconnect
Standard

Motor Isolators
Reduce vibration and sound.

Conduit Chase
Provided for ease of electrical connection from below roof.

Deep Spun Single Piece Inlet
For optimum air and sound performance.

UL Label
For electrical reliability.

Model RED is available in our Quickship program. All sizes are available for next day or 10-day shipping from stock.



Industry best 5 year fan housing warranty, 1 year motor warranty

All specifications are subject to change without notice unless approved in submittal by JencoFan.



CONSTRUCTION/SPECIFICATION CHECKLIST

Housing

- Curb cap has integral deep spun inlet for efficient performance and prepunched mounting holes for ease of installation.
- Fan plate isolates motor compartment from contaminated exhaust air.
- Spun aluminum hood and skirt for weather protection and attractive appearance.
- Heavy-gauge motor support for rigidity and strength.
- Neoprene isolators for reduction of vibration and sound.
- Quick access to motor compartment for ease of maintenance.
- Conduit passage for easy electrical connection from below roof.
- Birdscreen and included on standard models.

Wheel

- Backward inclined for efficiency at higher static pressure.
- Non-overloading for safe operation in ducted systems.
- Tapered blades for efficiency and quiet operation.
- Wheels constructed of noncorrosive aluminum.
- Statically and dynamically balanced for smooth operation.

Speed Controllable Motors

- Brands are nationally recognized and locally serviced.
- Motors are single speed, speed controllable and drip-proof.
- All motors are rated for continuous duty.
- Disconnect is standard.
- Motors ship mounted as standard.

AMCA Seal

- Assures rating of Air and Sound performance.

UL Label

- UL 705 Listing assures electrical reliability.
- UL 705 must be specified when required.

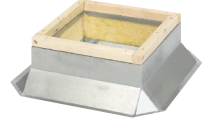


OPTIONS/ACCESSORIES

Solid State Speed Control: JencoFan's solid state control is matched to the motor and blower wheel to allow continuous reduction in performance allowing adjustments of airflow for system balancing. CFM is reduced in direct proportion to motor speed reduction. Speed control is available for 115 or 230 volt single phase. Exhauster performance can be controlled from the ventilated area.



Roof Curb: Prefabricated heavy-gauge galvanized steel welded construction, 12" high with 1-1/2" wood nailer. Assures perfect fit of exhauster to roof curb. Options include burglar bars, single and double pitch construction, and additional curb heights.



Sound Curb: Option of thermal acoustical lining or a complete maximum sound attenuating baffle system. Provision for mounting damper is available. Contact factory for information regarding effect on exhauster air performance and sound level.

Motor Operated Aluminum Damper: Motor operated for positive closure against backdraft.



Automatic Damper: Automatic aluminum damper for ease in installation and effective backdraft protection.

Companion Gravity Units: Model RCX-II comes in a wide range of sizes and air capacities to provide relief or intake air to the system. Curbs and dampers are available to fit all sizes. Spun aluminum hoods provide a pleasing appearance, complementing the Model DB exhauster.



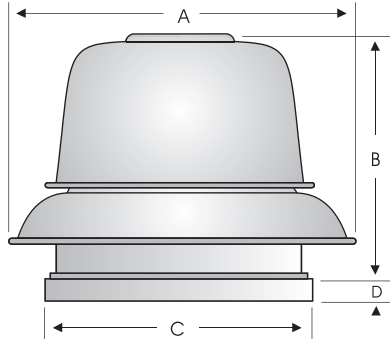
Curb Hinge Arrangement: The curb hinge arrangement provides easy access to the exhaust fan, backdraft damper, and duct for servicing and cleaning.

Special Coatings: Powered roof exhausters often require special coatings for protective and decorative purposes. Available coatings include: Epoxy, Synthetic Resin, and Heresite (air-dried phenolic). Contact your JencoFan representative or the factory for more information on available coatings and colors.



PERFORMANCE/DIMENSIONS

Model RED6



Damper		Roof Opening	Curb O.D.	A	B	C	D	Average Ship Wt. Lbs.
I.D.	O.D.							
11	11	11-3/4	14-3/4	21-3/4	12	16-1/2	1-3/4	50

Fan RPM performances may vary from actual current motor offerings for any given model. See price publications or software for current motor RPM offerings

CFM/BHP @ Static Pressure/Sones										HP	RPM (Nom.)	Tip Speed
0	1/8	1/4	3/8	1/2	5/8	3/4	7/8	1	Catalog Number			
46 .02/3.4	27 .02/2.8	-	-	-	-	-	-	-	RED6 CS+	1/10	1050	2237
59 .03/6.2	45 .03/5.3	29 .03/5.3	-	-	-	-	-	-	RED6 CS+	1/10	1350	2876
75 .04/11.1	63 .04/9.8	51 .04/9.3	39 .04/9.4	26 .04/9.4	-	-	-	-	RED6 C*	1/10	1700	3621
85 .02/2.8	54 .02/2.2	-	-	-	-	-	-	-	RED6 CLS+	1/10	950	2024
108 .03/4.7	85 .03/3.9	53 .03/3.9	-	-	-	-	-	-	RED6 CLS+	1/10	1200	2556
130 .04/7.5	112 .04/6.4	90 .04/6.3	61 .04/6.3	-	-	-	-	-	RED6 CLS+	1/10	1450	3089
153 .05/11.1	137 .06/9.8	120 .06/9.3	100 .05/9.4	76 .05/9.4	-	-	-	-	RED6 CL*	1/10	1700	3621
224 .02/2.5	133 .02/2.4	-	-	-	-	-	-	-	RED6 S+	1/10	950	2024
236 .02/2.8	152 .02/2.8	-	-	-	-	-	-	-	RED6 S+	1/10	1000	2130
248 .02/3.2	171 .02/3.1	-	-	-	-	-	-	-	RED6 S+	1/10	1050	2237
260 .02/3.5	187 .02/3.5	-	-	-	-	-	-	-	RED6 S+	1/10	1100	2343
272 .03/3.9	204 .03/3.8	-	-	-	-	-	-	-	RED6 S+	1/10	1150	2450
284 .03/4.2	219 .03/4.2	118 .02/4.3	-	-	-	-	-	-	RED6 S+	1/10	1200	2556
295 .03/4.6	234 .03/4.6	146 .03/4.7	-	-	-	-	-	-	RED6 S+	1/10	1250	2663
307 .03/5.0	249 .03/5.0	170 .03/5.1	-	-	-	-	-	-	RED6 S+	1/10	1300	2769
319 .03/5.4	264 .03/5.4	191 .03/5.5	-	-	-	-	-	-	RED6 S+	1/10	1350	2876
331 .04/6.2	278 .04/5.8	210 .04/5.9	-	-	-	-	-	-	RED6 S+	1/10	1400	2982
343 .04/6.2	293 .04/6.2	229 .04/6.3	131 .04/6.4	-	-	-	-	-	RED6 S+	1/10	1450	3089
354 .04/6.6	307 .04/6.6	246 .04/6.7	162 .04/6.9	-	-	-	-	-	RED6 S+	1/10	1500	3195
366 .05/7.0	320 .05/7.0	263 .05/7.2	188 .04/7.3	-	-	-	-	-	RED6 S+	1/10	1550	3302
378 .05/7.4	334 .05/7.5	279 .05/7.6	211 .05/7.8	-	-	-	-	-	RED6 S+	1/10	1600	3408
390 .05/7.9	347 .05/8.0	295 .05/8.1	232 .05/8.2	134 .05/8.4	-	-	-	-	RED6*	1/10	1650	3515

(1) Model RED 6 C series has choke plate.
 Model RED 6 S requires speed control for listed rpm.
 Performance certified is for installation type A-free inlet, free outlet.
 Performance ratings include the effects of birdscreen in the airstream.
 The sound ratings shown are loudness values in fan sones @ 5' (1.5m) in a hemispherical free field calculated per AMCA Standard 301. Values shown are for Installation Type A-free inlet fan sone levels.
 * Base Unit-AMCA Seal for Sound Rating does not apply to units with speed control.
 + RPM range capable with solid state speed control.
 Speed (RPM) shown is nominal. Performance is based on actual speed of test.

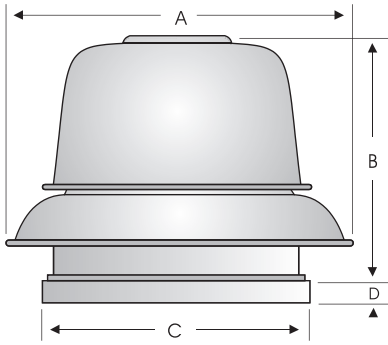


JencoFan, Div. of Soler & Palau Ventilation Group, certifies that the Models RED shown herein are licensed to bear the AMCA Seal. The ratings shown are based on test and procedures performed in accordance with AMCA Publication 211 and AMCA Publication 311 and comply with the requirement of the AMCA Certified Ratings Program.





Models RED8 and RED10



Size	Damper		Roof Opening	Curb O.D.	A	B	C	D	Average Ship Wt. Lbs.
	I.D.	O.D.							
RED812/810	11	11	11-3/4	14-3/4	21-3/4	13-1/2	16-1/2	1-3/4	50
RED8167	11	11	11-3/4	14-3/4	21-3/4	15-3/4	16-1/2	1-3/4	50
RED10	11	11	11-3/4	14-3/4	21-3/4	17-1/4	16-1/2	1-3/4	50

Fan RPM performances may vary from actual current motor offerings for any given model. See price publications or software for current motor RPM offerings

	CFM/BHP @ Static Pressure/Sones										HP	RPM (Nom.)	Tip Speed	
	0	1/8	1/4	3/8	1/2	5/8	3/4	7/8	1	Catalog Number				
RED8	409 .02/2.5	238 .02/1.8	-	-	-	-	-	-	-	-	RED812 S+	1/25	750	1995
	464 .03/3.3	325 .03/2.7	-	-	-	-	-	-	-	-	RED812 S+	1/25	850	2261
	518 .03/4.1	399 .03/3.6	216 .03/3.1	-	-	-	-	-	-	-	RED812 S+	1/25	950	2527
	573 .04/4.9	468 .04/4.5	326 .04/4.1	-	-	-	-	-	-	-	RED812 *	1/25	1050	2793
	627 .05/5.9	535 .05/5.5	417 .05/5.1	249 .05/4.7	-	-	-	-	-	-	RED810 S+	1/10	1150	3059
	682 .06/6.8	599 .07/6.4	496 .07/6.0	362 .06/5.7	183 .05/5.6	-	-	-	-	-	RED810 S+	1/10	1250	3325
	736 .08/7.8	661 .08/7.4	569 .08/7.0	460 .08/6.7	314 .07/6.5	-	-	-	-	-	RED810 S+	1/10	1350	3591
	791 .09/8.9	721 .10/8.4	638 .10/8.0	545 .10/7.7	425 .09/7.5	276 .08/7.4	-	-	-	-	RED810 S+	1/10	1450	3857
	818 .10/9.4	751 .10/8.9	672 .11/8.5	584 .11/8.3	476 .10/8.0	340 .09/7.8	170 .08/7.7	-	-	-	RED810 S+	1/10	1500	3990
	845 .11/10.0	781 .11/9.5	705 .12/9.1	622 .12/8.8	523 .11/8.6	398 .11/8.3	251 .09/8.2	-	-	-	RED810 S+	1/10	1550	4123
RED10	954 .16/12.1	897 .16/11.6	836 .16/11.1	764 .16/10.8	688 .16/10.6	600 .16/10.3	494 .15/10.1	371 .14/10.0	233 .12/9.9	-	RED825 *	1/4	1750	4655
	808 .06/4.9	640 .06/4.2	403 .05/4.0	-	-	-	-	-	-	-	RED1025 S+	1/4	900	2889
	897 .07/5.9	750 .07/5.2	559 .07/5.0	299 .06/4.7	-	-	-	-	-	-	RED1025 S+	1/4	1000	3210
	987 .09/6.8	856 .09/6.3	696 .09/5.8	489 .08/5.6	-	-	-	-	-	-	RED1025 S+	1/4	1100	3531
	1077 .12/7.9	958 .12/7.4	821 .12/7.0	648 .11/6.8	438 .10/6.7	-	-	-	-	-	RED1025 S+	1/4	1200	3852
	1167 .15/9.0	1058 .15/8.5	936 .15/8.1	790 .14/7.9	615 .13/7.7	405 .11/7.5	-	-	-	-	RED1025 S+	1/4	1300	4173
	1256 .18/10.2	1156 .18/9.7	1046 .18/9.3	920 .18/9.1	769 .17/8.9	597 .16/8.7	390 .14/8.5	-	-	-	RED1025 S+	1/4	1400	4494
	1346 .22/11.5	1253 .22/11.0	1152 .22/10.6	1042 .22/10.3	910 .21/10.1	762 .20/9.9	594 .18/9.8	393 .16/9.6	-	-	RED1025 S+	1/4	1500	4815
	1391 .25/12.1	1301 .25/11.7	1204 .25/11.3	1099 .24/10.9	977 .23/10.7	838 .22/10.5	682 .21/10.4	504 .19/10.2	279 .16/10.1	-	RED1025 S+	1/4	1550	4976
	1436 .27/12.8	1348 .27/12.4	1256 .27/12.0	1155 .26/11.7	1041 .26/11.4	910 .25/11.2	766 .24/11.0	604 .22/10.8	412 .16/10.7	-	RED1025 *	1/4	1600	5136
1481 .29/13.5	1396 .29/13.0	1307 .29/12.6	1211 .29/12.3	1104 .28/12.1	981 .27/12.0	845 .26/11.8	695 .25/11.6	524 .23/11.4	-	RED1033 S+	1/3	1650	5297	
1526 .32/14.2	1443 .32/13.8	1358 .32/13.3	1265 .32/12.9	1165 .13/12.7	1048 .30/12.6	921 .29/12.4	781 .28/12.3	625 .26/12.1	-	RED1033 *	1/3	1700	5457	

(1) Models with S in the number require speed control. Performance certified is for installation type A-free inlet, free outlet. Performance ratings include the effects of birdscreen in the airstream. The sound ratings shown are loudness values in fan sones @ 5' (1.5m) in a hemispherical free field calculated per AMCA Standard 301. Values shown are for Installation Type A-free inlet fan sone levels.
* Base Unit-AMCA Seal for Sound Rating does not apply to units with speed control.
+ RPM range capable with solid state speed control.
Speed (RPM) shown is nominal. Performance is based on actual speed of test.

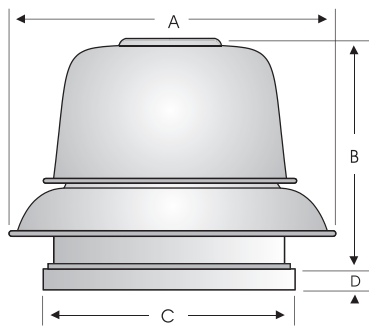


JencoFan, Div. of Soler & Palau Ventilation Group, certifies that the Models RED shown herein are licensed to bear the AMCA Seal. The ratings shown are based on test and procedures performed in accordance with AMCA Publication 211 and AMCA Publication 311 and comply with the requirement of the AMCA Certified Ratings Program.





Models RED12 and RED15



Damper		Roof Opening	Curb O.D.	A	B	C	D	Average Ship Wt. Lbs.
I.D.	O.D.							
18	18	19-1/4	22-1/4	33-1/8	23-1/2	24	2	124

Fan RPM performances may vary from actual current motor offerings for any given model. See price publications or software for current motor RPM offerings

RED12

CFM/BHP @ Static Pressure/Sones										HP	RPM (Nom.)	Tip Speed
0	1/8	1/4	3/8	1/2	5/8	3/4	7/8	1	Catalog Number			
1209 .07/6.5	959 .08/5.8	708 .08/5.4	456 .08/5.3	-	-	-	-	-	RED1216 S+	1/4	900	3393
1277 .08/7.1	1042 .09/6.4	797 .09/6.0	570 .09/5.8	-	-	-	-	-	RED1216 S+	1/4	950	3582
1344 .10/7.6	1123 .10/6.9	884 .10/6.6	674 .10/6.3	423 .10/6.2	-	-	-	-	RED1216 S+	1/4	1000	3770
1411 .11/8.2	1202 .11/7.6	970 .12/7.1	771 .12/7.0	553 .12/6.9	-	-	-	-	RED1216 S+	1/4	1050	3959
1478 .13/8.9	1280 .13/8.2	1057 .13/7.8	863 .14/7.5	665 .14/7.4	419 13/7.2	-	-	-	RED1216 S+	1/4	1100	4147
1545 .14/9.6	1356 .15/8.9	1144 .15/8.4	952 .15/8.2	769 .15/8.0	558 .15/7.8	-	-	-	RED1216*	1/4	1150	4336
1613 .16/10.2	1432 .16/9.6	1231 .16/9.1	1040 .17/8.8	866 .17/8.6	678 .17/8.4	442 .16/8.2	-	-	RED1250 S+	1/2	1200	4524
1680 .18/11.0	1506 .18/10.2	1317 .18/9.7	1126 .19/9.5	960 .19/9.3	786 .20/9.1	587 .19/8.9	-	-	RED1250 S+	1/2	1250	4713
1747 .20/11.7	1580 .20/11.0	1401 .21/10.3	1212 .21/10.1	1050 .22/9.9	888 .22/9.8	710 .22/9.5	491 .20/9.1	-	RED1250 S+	1/2	1300	4901
1814 .22/12.5	1653 .23/11.8	1484 .23/11.1	1299 .23/10.8	1139 .24/10.6	984 .42/10.4	821 .24/10.3	633 .23/10.0	376 .21/9.8	RED1250 S+	1/2	1350	5090
1881 .25/13.2	1726 .25/12.5	1565 .26/11.8	1387 .26/11.7	1226 .26/11.4	1077 .27/11.2	924 .27/11.0	757 .27/10.7	556 .25/10.5	RED1250 S+	1/2	1400	5278
1949 .28/14.0	1798 .28/13.3	1645 .28/12.6	1474 .28/12.3	1312 .29/12.1	1168 .30/12.0	1023 .30/11.8	869 .30/11.6	695 .29/11.4	RED1250 S+	1/2	1450	5467
2016 .30/14.8	1870 .31/14.1	1723 .31/13.4	1560 .31/13.0	1398 .32/12.8	1257 .32/12.6	1118 .33/12.5	974 .33/12.4	817 .33/12.2	RED1250 S+	1/2	1500	5655
2083 .33/15.6	1942 .34/14.9	1801 .34/14.3	1645 .34/13.8	1484 .35/13.6	1344 .35/13.4	1210 .36/13.3	1073 .36/13.1	929 .36/12.9	RED1250 S+	1/2	1550	5844
2150 .37/16.4	2013 .37/15.7	1878 .37/15.5	1729 .38/14.6	1572 .38/14.4	1430 .39/14.2	1300 .39/14.0	1170 .40/13.8	1034 .40/13.7	RED1250 S+	1/2	1600	6032
2217 .40/17.3	2084 .40/16.6	1954 .41/15.9	1812 .41/15.3	1660 .41/15.2	1516 .42/15.0	1389 .43/14.8	1263 .43/14.6	1134 .44/14.5	RED1250 S+	1/2	1650	6221
2284 .44/18.2	2155 .44/17.5	2029 .45/16.8	1893 .45/16.2	1747 .45/16.0	1602 .46/15.8	1476 .46/15.6	1354 .47/15.4	1231 .48/15.3	RED1250 S+	1/2	1700	6409
2352 .48/18.9	2226 .48/18.3	2104 .48/17.6	1973 .49/17.0	1832 .49/16.7	1689 .50/16.5	1562 .50/16.3	1443 .51/16.2	1324 .52/16.0	RED1250*	1/2	1750	6598
1958 .13/6.9	1599 .14/6.3	1212 .13/6.1	759 .12/6.0	-	-	-	-	-	RED1550 S+	1/2	750	3270
2089 .16/7.7	1756 .16/7.0	1395 .16/6.8	989 .15/6.8	512 .13/6.7	-	-	-	-	RED1550 S+	1/2	800	3488
2219 .19/8.4	1907 .19/7.9	1567 .19/7.6	1203 .19/7.6	795 .17/7.5	-	-	-	-	RED1550 S+	1/2	850	3706
2350 .22/9.3	2055 .23/8.8	1736 .23/8.4	1411 .22/8.3	1035 .21/8.3	608 .18/8.3	-	-	-	RED1550 S+	1/2	900	3924
2481 .26/10.2	2202 .26/9.7	1902 .27/9.3	1602 .26/9.2	1256 .26/9.1	887 .24/9.1	-	-	-	RED1550 S+	1/2	950	4142
2611 .30/11.1	2347 .31/10.6	2066 .31/10.2	1779 .31/10.0	1468 .30/10.0	1130 .29/9.9	752 .26/9.9	-	-	RED1550 S+	1/2	1000	4360
2742 .35/12.1	2493 .35/11.5	2228 .36/11.2	1950 .36/10.9	1672 .35/10.9	1352 .34/10.8	1019 .32/10.8	621 .27/10.7	-	RED1550 S+	1/2	1050	4578
2872 .40/13.2	2636 .40/12.6	2386 .41/12.1	2119 .41/11.8	1860 .40/11.8	1564 .40/11.8	1258 .38/11.7	923 .35/11.7	494 .29/11.7	RED1550 S+	1/2	1100	4796
3003 .46/14.2	2779 .46/13.7	2540 .46/13.2	2285 .46/12.9	2038 .46/12.8	1774 .46/12.7	1480 .44/12.7	1180 .42/12.7	840 .38/12.6	RED1550 *	1/2	1150	5014

RED15

(1) Models with S in the number require speed control.
Performance certified is for installation type A-free inlet, free outlet.
Performance ratings include the effects of birdscreen in the airstream.
The sound ratings shown are loudness values in fan sones @ 5' (1.5m) in a hemispherical free field calculated per AMCA Standard 301. Values shown are for Installation Type A-free inlet fan sone levels.
* Base Unit-AMCA Seal for Sound Rating does not apply to units with speed control.
+ RPM range capable with solid state speed control.
Speed (RPM) shown is nominal. Performance is based on actual speed of test.

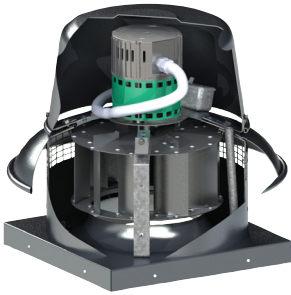


JencoFan, Div. of Soler & Palau Ventilation Group, certifies that the Models RED shown herein are licensed to bear the AMCA Seal. The ratings shown are based on test and procedures performed in accordance with AMCA Publication 211 and AMCA Publication 311 and comply with the requirement of the AMCA Certified Ratings Program.



MODEL eRED

DOWNBLAST CENTRIFUGAL ROOF EXHAUSTER WITH ELECTRONICALLY COMMUTATED MOTOR



MODEL FEATURES

- Exhaust air up to 3,000 CFM in high static pressure applications up to 1.5" w.g.
- Attractive spun aluminum exterior
- Motor has 80% usable turndown vs. 30% on a PSC motor
- Direct drive units have low sound levels and quiet operation
- Non-overloading backward inclined wheel for efficiency at higher static pressures
- AMCA Air and Sound Licensed
- cULus 705 Listed

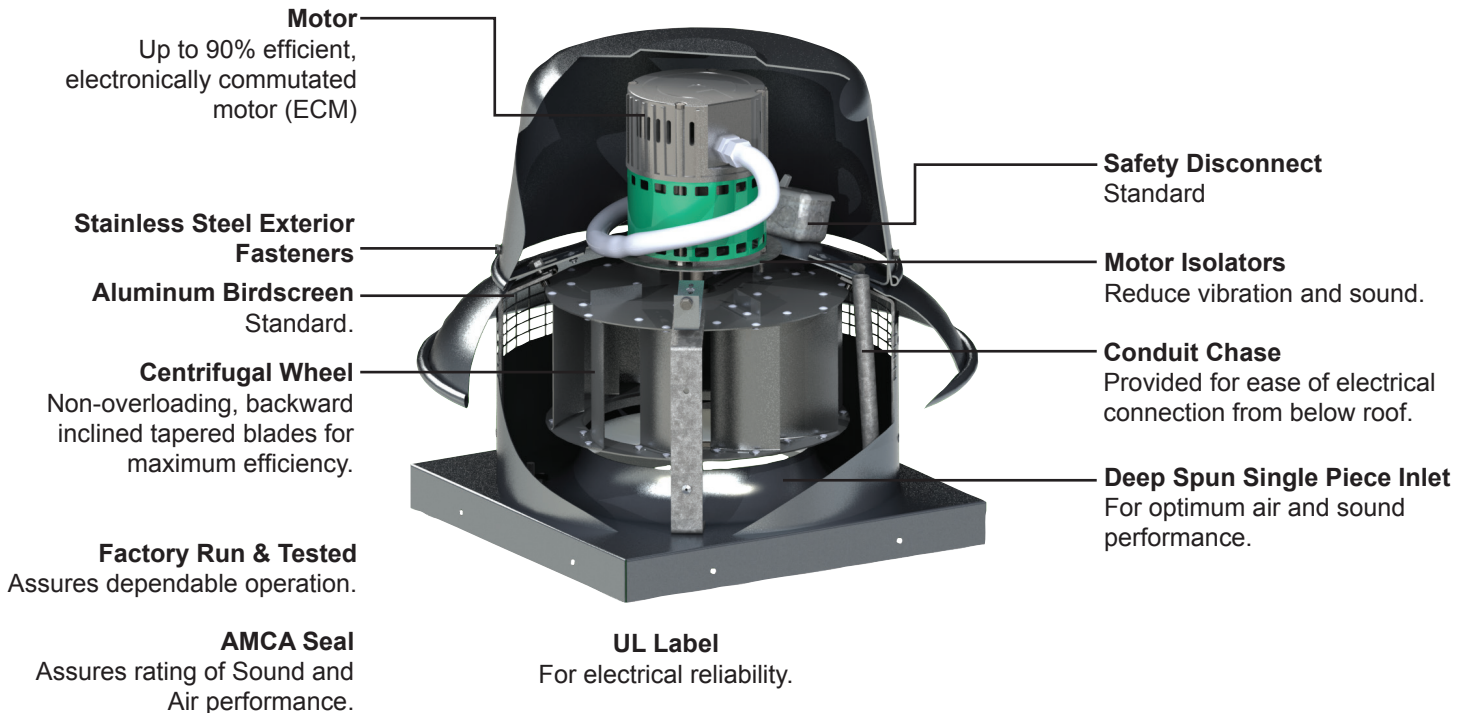
MODEL OVERVIEW

Model eRED fans are designed to exhaust air up to 3,000 CFM in high static pressure applications to 1.5". The spun aluminum exterior provides an attractive appearance. The non-overloading backward inclined wheel with its higher static pressure capability makes this unit suitable for either ducted or nonducted applications. Its roof mounting permits location near the area to be ventilated, allowing short duct runs and more efficient operation.

The eRED comes with JencoFan's electronically commutated motor (eMotor) which offers the energy efficiency of a DC motor with the ease of maintenance of DD motors. The eMotor provides the benefit of a fully controllable motor which can be controlled by a PC or building management system.

The eRED is ideally suited to solve ventilation challenges in multi-story buildings. When used with one of JencoFan's constant pressure controls (see control options on page 89) this fan model provides an energy efficient answer to venting dryers, bathrooms and kitchens in hotels, high rise buildings, institutional facilities and dormitories.

CONSTRUCTION FEATURES AND OPTIONS



Industry best 5 year fan housing warranty, 1 year motor warranty

All specifications are subject to change without notice unless approved in submittal by JencoFan.



CONSTRUCTION/SPECIFICATION CHECKLIST

Housing

- Curb cap has integral deep spun inlet for efficient performance and prepunched mounting holes for ease of installation.
- Fan plate isolates motor compartment from contaminated exhaust air.
- Spun aluminum hood and skirt for weather protection and attractive appearance.
- Heavy-gauge motor support for rigidity and strength.
- Neoprene isolators for reduction of vibration and sound.
- Quick access to motor compartment for ease of maintenance.
- Conduit passage for easy electrical connection from below roof.
- Birdscreen included on standard models.

Wheel

- Backward inclined for efficiency at higher static pressure.
- Non-overloading for safe operation in ducted systems.
- Tapered blades for efficiency and quiet operation.
- Wheels constructed of noncorrosive aluminum.
- Statically and dynamically balanced for smooth operation.

Electronically Commutated Motors

- Brands are nationally recognized and locally serviced.
- Easy speed control by DC 0-10 V variation or EC style speed controller.
- Motor has motor mounted potentiometer with digital readout for easy speed adjustment.
- Can be controlled by a PC or building management system.
- Motor has 80% usable turndown vs. 30% on a PSC motor.
- Internal motor circuitry converts 115/230 V single phase AC power to DC voltage for increased efficiencies.
- All motors are rated for continuous duty.
- Motor is 115/230V and 50/60 Hz.
- Disconnect is standard.
- Motors ship mounted as standard.

AMCA Seal

- Assures rating of Air and Sound performance.

UL Label

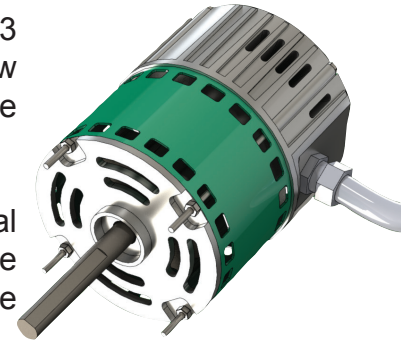
- UL 705 Listing assures electrical reliability.



eMotor - Electronically Commutated Motor

JencoFan's eMotor is 115/230V and 50/60 Hz and is available in 1/4, 1/3 and 1/2 HP. This fully controllable motor offers both reliability and low maintenance in one of the most efficient motor fan combinations in the industry.

When used in JencoFan's eRED downblast fan, the eMotor is the ideal solution for a low cost, fully controlled ventilation system. This motor in the eRED can exhaust air volume up to 3,000 CFM, equal to that of a belt drive fan, with all the benefits and low maintenance of a direct drive fan.

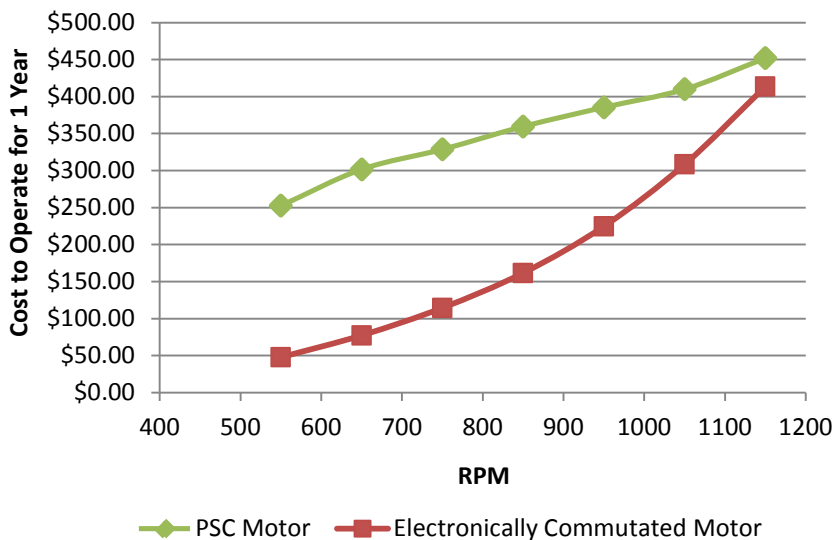


Features and Advantages

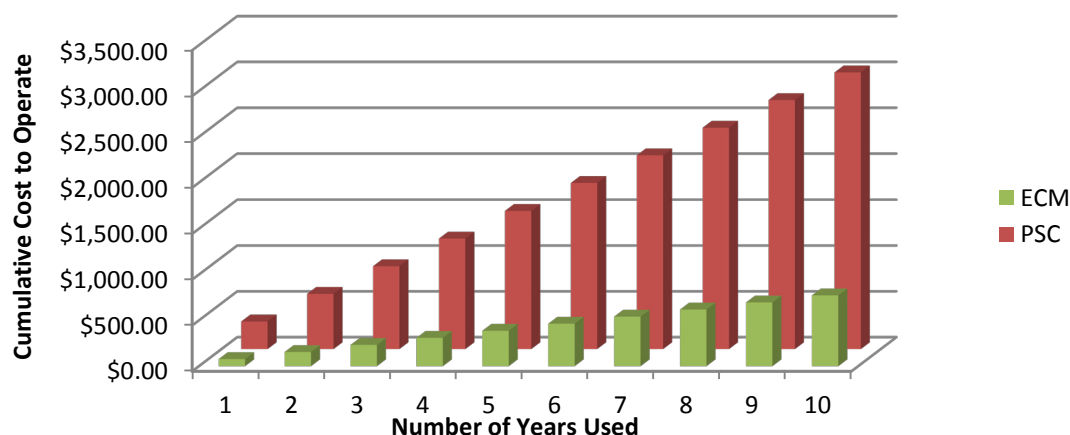
- Easy speed control by DC 0-10 V variation or EC style speed controller
- Motor has motor mounted potentiometer with digital readout for easy speed adjustment
- Unit can be controlled by a PC or building management system
- Motor has 80% usable turndown vs. 30% on a PSC motor
- Internal motor circuitry converts 115/230 V single phase AC power to DC voltage for increased efficiencies.
- Motor is 115/230 V and 50/60 Hz
- cULus 705 Listing

Energy Savings = \$ Savings

eRED with 1/2 HP Motor - Continuous Ventilation



Cost to Operate Motors @ 650 RPM Continuous Ventilation





Constant Pressure Control Options with eRED

Constant Pressure Controls: For constant pressure control applications, the JencoFan constant pressure control package is available. This package includes the components that are needed to complete a demand-based exhaust ventilation system for kitchens, bathrooms, and/or clothes dryer exhaust in multi-story buildings.

JencoFan recognized that the programming procedure for many constant pressure controls can be challenging, so this package is the simplest system available. The control box can be easily installed in the field, either mounted on a curb or inside the building. The backlit LCD display and pressure transducer are pre-programmed to work together to increase or reduce the speed of the fan to accommodate for the actual demand.

Potentiometer Shipped Loose: If a variable rate that is manually changed by the operator from the occupied space is desired, the potentiometer is shipped loose and field installed in the appropriate accessible location. Simply rotating the dial will vary the speed of the fan from 20% to 100% full speed.



Control Box



Sensor

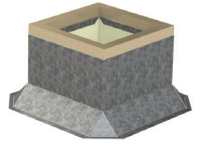


Potentiometer



OPTIONS/ACCESSORIES

Roof Curb: Prefabricated heavy-gauge galvanized steel welded construction, 12" high with 1-1/2" wood nailer. Assures perfect fit of exhauster to roof curb. Options include burglar bars, single and double pitch construction, and additional curb heights.



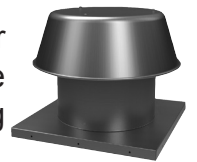
Sound Curb: Option of thermal acoustical lining or a complete maximum sound attenuating baffle system. Provision for mounting damper is available. Contact factory for information regarding effect on exhauster air performance and sound level.

Motor Operated Aluminum Damper: Motor operated for positive closure against backdraft.



Automatic Damper: Automatic aluminum damper for ease in installation and effective backdraft protection.

Companion Gravity Units: Model RCX-II comes in a wide range of sizes and air capacities to provide relief or intake air to the system. Curbs and dampers are available to fit all sizes. Spun aluminum hoods provide a pleasing appearance, complementing the Model eRED exhauster.



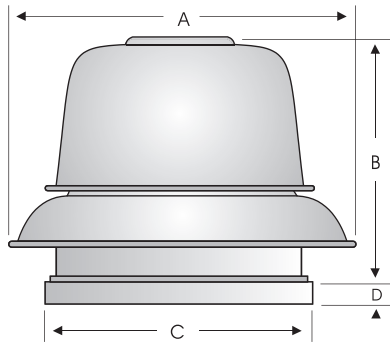
Curb Hinge Arrangement: The curb hinge arrangement provides easy access to the exhaust fan, backdraft damper, and duct for servicing and cleaning.

Special Coatings: Powered roof exhausters often require special coatings for protective and decorative purposes. Available coatings include: Epoxy, Synthetic Resin, and Heresite (air-dried phenolic). Contact your JencoFan representative or the factory for more information on available coatings and colors.



PERFORMANCE/DIMENSIONS

Model eRED6



Damper		Roof Opening	Curb O.D.	A	B	C	D	Average Ship Wt. Lbs.
I.D.	O.D.							
11	11	11-3/4	14-3/4	21-3/4	12	16-1/2	1-3/4	50

RPM	CFM/BHP @ Static Pressure/Sones					
	0	0.125	0.25	0.375	0.5	0.625
850	190 0.01/1.5	-	-	-	-	-
900	202 0.01/1.9	95 0.01/1.2	-	-	-	-
950	213 0.01/2.2	115 0.01/1.5	-	-	-	-
1000	224 0.01/2.4	133 0.01/1.8	-	-	-	-
1050	235 0.01/2.7	150 0.01/2.1	-	-	-	-
1100	246 0.01/3	167 0.01/2.4	41 0.01/1.8	-	-	-
1150	257 0.01/3.2	182 0.01/2.7	73 0.01/2.2	-	-	-
1200	269 0.01/3.5	197 0.01/3	100 0.01/2.5	-	-	-
1250	280 0.02/3.8	211 0.02/3.3	124 0.02/2.9	-	-	-
1300	291 0.02/4.1	226 0.02/3.7	146 0.02/3.3	-	-	-
1350	302 0.02/4.5	239 0.02/4	165 0.02/3.7	52 0.02/3.2	-	-
1400	313 0.02/4.8	253 0.02/4.4	184 0.02/4.1	84 0.02/3.6	-	-
1450	325 0.03/5.2	266 0.03/4.8	201 0.03/4.4	113 0.02/4	-	-
1500	336 0.03/5.6	280 0.03/5.1	218 0.03/4.8	138 0.03/4.4	-	-
1550	347 0.03/6.1	293 0.03/5.5	234 0.03/5.2	161 0.03/4.8	54 0.02/4.4	-
1600	358 0.04/6.5	306 0.04/5.9	249 0.03/5.6	182 0.03/5.3	87 0.03/4.9	-
1650	369 0.04/7	319 0.04/6.4	265 0.04/6.1	201 0.04/5.8	117 0.03/5.4	-
1700	381 0.04/7.4	331 0.04/6.9	279 0.04/6.6	220 0.04/6.3	143 0.04/5.9	-
1750	392 0.05/7.9	344 0.05/7.5	294 0.05/7.1	237 0.04/6.8	168 0.04/6.4	72 0.04/6

Performance certified is for installation type A-free inlet, free outlet.

Performance ratings include the effects of birdscreen.

The sound ratings shown are loudness values in fan sones @ 5' (1.5m) in a hemispherical free field calculated per AMCA Standard 301. Values shown are for Installation Type A-free inlet hemispherical sone levels.

Speed (RPM) shown is nominal. Performance is based on actual speed of test.

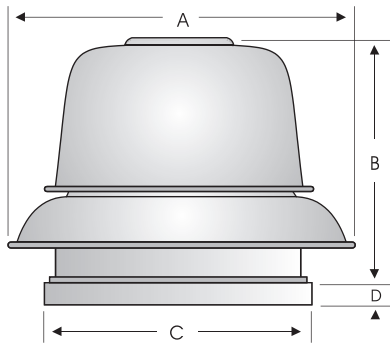


JencoFan, Div. of Soler & Palau Ventilation Group, certifies that the Models eRED shown herein are licensed to bear the AMCA Seal. The ratings shown are based on test and procedures performed in accordance with AMCA Publication 211 and AMCA Publication 311 and comply with the requirement of the AMCA Certified Ratings Program.





Models eRED8



Damper		Roof Opening	Curb O.D.	A	B	C	D	Average Ship Wt. Lbs.
I.D.	O.D.							
11	11	11-3/4	14-3/4	21-3/4	13-1/2	16-1/2	1-3/4	50

RPM	CFM/BHP @ Static Pressure/Sones							
	0	0.125	0.25	0.375	0.5	0.625	0.75	1
600	342 0.01/1.3	103 0.01/0.4	-	-	-	-	-	-
650	371 0.01/1.7	175 0.01/0.6	-	-	-	-	-	-
700	399 0.01/2.1	229 0.02/1	-	-	-	-	-	-
750	428 0.02/2.5	275 0.02/1.3	-	-	-	-	-	-
800	456 0.02/2.9	317 0.02/1.8	-	-	-	-	-	-
850	485 0.03/3.4	356 0.03/2.3	148 0.02/1.7	-	-	-	-	-
900	514 0.03/3.9	394 0.03/2.7	224 0.03/2.1	-	-	-	-	-
950	542 0.04/4.3	430 0.04/3.2	283 0.04/2.5	-	-	-	-	-
1000	571 0.04/4.7	465 0.05/3.6	334 0.05/2.9	91 0.02/2.5	-	-	-	-
1050	599 0.05/5.1	500 0.05/4.1	380 0.05/3.2	197 0.04/2.9	-	-	-	-
1100	628 0.06/5.5	533 0.06/4.6	423 0.06/3.7	271 0.05/3.3	-	-	-	-
1150	656 0.07/6	566 0.07/5	463 0.07/4.2	331 0.07/3.7	92 0.03/3.4	-	-	-
1200	685 0.07/6.4	599 0.08/5.5	503 0.08/4.7	384 0.08/4.1	206 0.05/3.8	-	-	-
1250	713 0.08/6.8	631 0.09/6	540 0.09/5.2	432 0.09/4.5	286 0.07/4.2	-	-	-
1300	742 0.09/7.3	663 0.1/6.5	577 0.1/5.7	477 0.1/5	350 0.09/4.6	141 0.05/4.3	-	-
1350	770 0.11/7.8	695 0.11/7	613 0.12/6.2	520 0.12/5.5	407 0.11/5.1	245 0.08/4.8	-	-
1400	799 0.12/8.4	726 0.12/7.5	648 0.13/6.8	561 0.13/6.1	458 0.12/5.6	323 0.1/5.3	87 0.05/5	-
1450	827 0.13/8.9	757 0.14/8.1	683 0.14/7.3	600 0.14/6.7	506 0.14/6.1	388 0.13/5.8	214 0.09/5.5	-
1500	856 0.15/9.4	788 0.15/8.6	717 0.16/7.9	639 0.16/7.2	550 0.16/6.6	445 0.15/6.3	304 0.12/6	-
1550	884 0.16/10	819 0.17/9.2	750 0.17/8.5	676 0.18/7.8	593 0.17/7.2	497 0.17/6.8	376 0.15/6.5	-
1600	913 0.18/10.6	850 0.18/9.8	784 0.19/9	712 0.19/8.4	634 0.19/7.8	545 0.19/7.3	439 0.17/7	-
1650	941 0.19/11.3	880 0.2/10.5	816 0.21/9.7	748 0.21/9.1	674 0.21/8.4	591 0.21/7.9	495 0.2/7.6	193 0.11/7.1
1700	970 0.21/12	911 0.22/11.1	849 0.23/10.4	784 0.23/9.7	713 0.23/9.1	635 0.23/8.5	546 0.22/8.1	297 0.16/7.7
1750	998 0.23/12.7	941 0.24/11.9	881 0.25/11	818 0.25/10.3	751 0.25/9.7	677 0.25/9.1	595 0.24/8.7	378 0.2/8.2



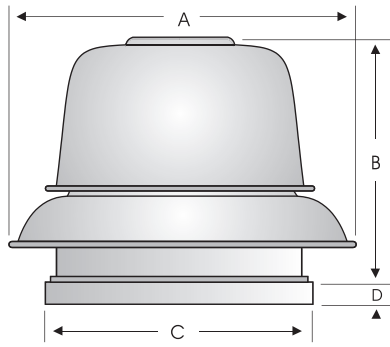
JencoFan, Div. of Soler & Palau Ventilation Group, certifies that the Models eRED shown herein are licensed to bear the AMCA Seal. The ratings shown are based on test and procedures performed in accordance with AMCA Publication 211 and AMCA Publication 311 and comply with the requirement of the AMCA Certified Ratings Program.



Performance certified is for installation type A-free inlet, free outlet. Performance ratings include the effects of birdscreen. The sound ratings shown are loudness values in fan sones @ 5' (1.5m) in a hemispherical free field calculated per AMCA Standard 301. Values shown are for Installation Type A-free inlet fan hemispherical levels. Speed (RPM) shown is nominal. Performance is based on actual speed of test.



Models eRED10



Damper		Roof Opening	Curb O.D.	A	B	C	D	Average Ship Wt. Lbs.
I.D.	O.D.							
11	11	11-3/4	14-3/4	21-3/4	17-1/4	16-1/2	1-3/4	50

RPM	CFM/BHP @ Static Pressure/Sones							
	0	0.125	0.25	0.375	0.5	0.625	0.75	1
550	488 0.01/1.5	59 0.01/0.6	-	-	-	-	-	-
600	533 0.01/1.9	220 0.01/0.9	-	-	-	-	-	-
650	577 0.02/2.3	312 0.02/1.4	-	-	-	-	-	-
700	621 0.02/2.8	386 0.02/1.8	-	-	-	-	-	-
750	666 0.02/3.3	452 0.02/2.3	-	-	-	-	-	-
800	710 0.03/3.8	513 0.03/2.8	182 0.03/2.2	-	-	-	-	-
850	755 0.04/4.3	571 0.04/3.3	315 0.04/2.6	-	-	-	-	-
900	799 0.04/4.8	627 0.04/3.8	409 0.04/3.1	-	-	-	-	-
950	843 0.05/5.3	682 0.05/4.3	488 0.05/3.6	86 0.03/3.1	-	-	-	-
1000	888 0.06/5.8	735 0.06/4.9	559 0.06/4.2	286 0.06/3.6	-	-	-	-
1050	932 0.07/6.3	787 0.07/5.5	625 0.07/4.7	404 0.07/4.1	-	-	-	-
1100	977 0.08/6.9	839 0.08/6.2	688 0.08/5.4	497 0.08/4.7	117 0.05/4.1	-	-	-
1150	1021 0.09/7.5	889 0.09/6.8	748 0.09/6.1	577 0.09/5.4	317 0.09/4.7	-	-	-
1200	1065 0.1/8.1	940 0.1/7.4	806 0.1/6.8	651 0.1/6	441 0.1/5.3	-	-	-
1250	1110 0.11/8.8	989 0.11/8.1	862 0.11/7.5	719 0.11/6.8	539 0.11/6	231 0.1/5.4	-	-
1300	1154 0.13/9.5	1038 0.13/8.8	917 0.13/8.2	783 0.13/7.5	623 0.13/6.8	394 0.13/6.1	-	-
1350	1198 0.14/10.2	1087 0.14/9.6	971 0.14/8.9	846 0.14/8.3	700 0.14/7.5	511 0.14/6.8	159 0.1/6.2	-
1400	1243 0.16/11	1136 0.16/10.4	1025 0.16/9.7	906 0.16/9.1	771 0.16/8.3	607 0.16/7.6	363 0.15/6.9	-
1450	1287 0.18/11.8	1184 0.18/11.2	1077 0.18/10.5	964 0.18/9.9	839 0.18/9.2	691 0.18/8.4	496 0.18/7.7	-
1500	1332 0.2/12.7	1232 0.2/12	1129 0.2/11.4	1021 0.2/10.8	903 0.2/10	769 0.2/9.2	602 0.2/8.5	-
1550	1376 0.22/13.2	1279 0.22/12.6	1180 0.22/12	1077 0.22/11.4	966 0.22/10.8	841 0.22/9.9	693 0.22/9.1	132 0.12/7.8
1600	1420 0.24/13.8	1327 0.24/13.2	1231 0.24/12.6	1132 0.24/12	1026 0.24/11.5	910 0.24/10.6	776 0.24/9.9	364 0.22/8.5
1650	1465 0.26/14.5	1374 0.26/13.8	1282 0.26/13.2	1186 0.26/12.7	1085 0.26/12.1	975 0.26/11.4	852 0.26/10.6	513 0.26/9.2
1700	1509 0.28/15.2	1421 0.29/14.5	1332 0.29/13.9	1239 0.29/13.3	1143 0.29/12.8	1039 0.29/12.1	924 0.29/11.3	630 0.29/9.9
1750	1554 0.31/15.8	1468 0.31/15.2	1381 0.31/14.6	1292 0.31/14	1199 0.31/13.4	1100 0.31/12.9	993 0.31/12.1	729 0.32/10.7



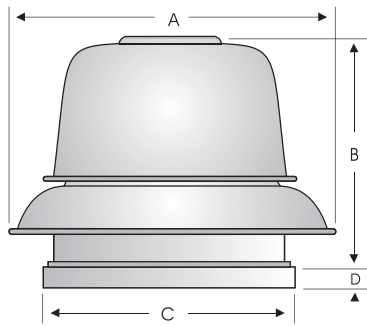
JencoFan, Div. of Soler & Palau Ventilation Group, certifies that the Models eRED shown herein are licensed to bear the AMCA Seal. The ratings shown are based on test and procedures performed in accordance with AMCA Publication 211 and AMCA Publication 311 and comply with the requirement of the AMCA Certified Ratings Program.



Performance certified is for installation type A-free inlet, free outlet. Performance ratings include the effects of birdscreen. The sound ratings shown are loudness values in fan sones @ 5' (1.5m) in a hemispherical free field calculated per AMCA Standard 301. Values shown are for Installation Type A-free inlet fan hemispherical levels. Speed (RPM) shown is nominal. Performance is based on actual speed of test.



Models eRED12



Damper		Roof Opening	Curb O.D.	A	B	C	D	Average Ship Wt. Lbs.
I.D.	O.D.							
18	18	19-1/4	22-1/4	33-1/8	23-1/2	24	2	124

RPM	CFM/BHP @ Static Pressure/Sones									
	0	0.125	0.25	0.375	0.5	0.625	0.75	1	1.25	1.5
500	751 0.01/2	248 0.01/1.1	-	-	-	-	-	-	-	-
550	826 0.02/2.5	368 0.02/1.6	-	-	-	-	-	-	-	-
600	901 0.02/3.1	466 0.02/2.2	-	-	-	-	-	-	-	-
650	976 0.03/3.7	556 0.03/2.7	162 0.03/2.5	-	-	-	-	-	-	-
700	1051 0.04/4.4	641 0.04/3.3	331 0.04/3	-	-	-	-	-	-	-
750	1126 0.04/5	722 0.05/4	459 0.05/3.5	-	-	-	-	-	-	-
800	1201 0.05/5.7	801 0.06/4.6	566 0.06/4.1	214 0.05/4	-	-	-	-	-	-
850	1276 0.06/6.3	879 0.07/5.3	662 0.07/4.7	385 0.07/4.4	-	-	-	-	-	-
900	1351 0.08/7	956 0.08/5.9	753 0.08/5.3	518 0.08/5	151 0.07/5	-	-	-	-	-
950	1426 0.09/7.6	1032 0.09/6.6	839 0.1/6	631 0.1/5.6	343 0.09/5.5	-	-	-	-	-
1000	1501 0.1/8.3	1107 0.11/7.3	922 0.11/6.6	733 0.11/6.3	497 0.11/6.1	-	-	-	-	-
1050	1576 0.12/9	1182 0.13/8	1004 0.13/7.3	828 0.13/7	624 0.13/6.7	341	-	-	-	-
1100	1651 0.14/9.8	1256 0.14/8.8	1084 0.15/8	918 0.15/7.6	735 0.15/7.4	504	176 0.14/7.2	-	-	-
1150	1726 0.16/10.6	1330 0.16/9.7	1162 0.17/8.9	1004 0.17/8.4	837 0.17/8.1	639	372 0.17/7.9	-	-	-
1200	1801 0.18/11.4	1403 0.19/10.6	1240 0.19/9.7	1089 0.19/9.2	933 0.19/8.9	757	538 0.19/8.5	-	-	-
1250	1876 0.2/12.4	1477 0.21/11.4	1317 0.21/10.7	1171 0.22/10	1024 0.22/9.7	864	676 0.21/9.3	123 0.18/9.3	-	-
1300	1952 0.23/13.3	1550 0.23/12.4	1393 0.24/11.6	1252 0.24/10.9	1112 0.25/10.6	964	796 0.24/10	324 0.22/10	-	-
1350	2027 0.25/14.3	1623 0.26/13.4	1469 0.27/12.6	1332 0.27/11.8	1197 0.28/11.4	1058	906 0.27/10.9	508 0.26/10.8	-	-
1400	2102 0.28/15.3	1695 0.29/14.4	1544 0.3/13.6	1410 0.3/12.9	1281 0.31/12.3	1149	1008 0.31/11.8	663 0.29/11.5	147 0.26/11.5	-
1450	2177 0.32/16.4	1768 0.32/15.4	1619 0.33/14.5	1488 0.34/13.9	1363 0.34/13.3	1237	1105 0.34/12.8	797 0.33/12.4	348 0.3/12.4	-
1500	2252 0.35/17.4	1840 0.36/16.5	1694 0.36/15.6	1566 0.37/14.9	1444 0.37/14.3	1323	1198 0.38/13.7	917 0.37/13.3	536 0.35/13.2	-
1550	2327 0.39/18.3	1912 0.39/17.4	1768 0.4/16.5	1642 0.41/15.8	1524 0.41/15.1	1407	1288 0.42/14.5	1028 0.41/14.1	697 0.4/13.9	226 0.36/13.9
1600	2402 0.42/19.2	1984 0.43/18.3	1842 0.44/17.4	1718 0.45/16.7	1603 0.45/16.1	1489	1375 0.46/15.3	1131 0.46/14.9	837 0.44/14.6	427 0.41/14.6
1650	2477 0.47/20	2056 0.47/19.2	1916 0.48/18.3	1794 0.49/17.6	1681 0.49/17	1571	1461 0.5/16.4	1230 0.5/16.1	962 0.49/15.3	610 0.47/15.3
1700	2552 0.51/21	2128 0.52/20	1989 0.53/19.3	1869 0.53/18.5	1758 0.54/17.9	1651	1545 0.55/16.9	1324 0.55/16.5	1077 0.54/16.1	769 0.52/16



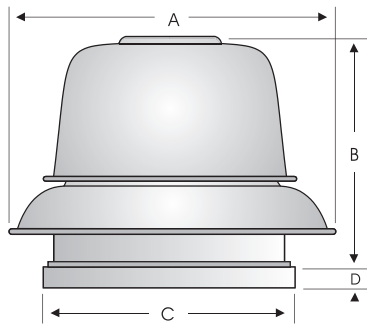
JencoFan, Div. of Soler & Palau Ventilation Group, certifies that the Models eRED shown herein are licensed to bear the AMCA Seal. The ratings shown are based on test and procedures performed in accordance with AMCA Publication 211 and AMCA Publication 311 and comply with the requirement of the AMCA Certified Ratings Program.



Performance certified is for installation type A-free inlet, free outlet. Performance ratings include the effects of birdscreen. The sound ratings shown are loudness values in fan sones @ 5' (1.5m) in a hemispherical free field calculated per AMCA Standard 301. Values shown are for Installation Type A-free inlet fan hemispherical levels. Speed (RPM) shown is nominal. Performance is based on actual speed of test.



Models eRED15



Damper		Roof Opening	Curb O.D.	A	B	C	D	Average Ship Wt. Lbs.
I.D.	O.D.							
18	18	19-1/4	22-1/4	33-1/8	23-1/2	24	2	124

RPM	CFM/BHP @ Static Pressure/Sones						
	0	0.125	0.25	0.375	0.5	0.625	0.75
400	1046 0.02/1.9	255 0.03/0.6	-	-	-	-	-
450	1177 0.03/2.7	524 0.03/1.3	-	-	-	-	-
500	1308 0.04/3.4	738 0.04/2.1	-	-	-	-	-
550	1439 0.05/4.2	931 0.05/2.9	245 0.09/2	-	-	-	-
600	1569 0.07/5	1110 0.07/3.6	562 0.08/2.8	-	-	-	-
650	1700 0.09/5.8	1281 0.09/4.5	803 0.09/3.6	-	-	-	-
700	1831 0.11/6.7	1445 0.11/5.4	1015 0.11/4.5	489 0.14/3.7	-	-	-
750	1962 0.13/7.6	1605 0.13/6.4	1212 0.13/5.4	766 0.14/4.6	-	-	-
800	2093 0.16/8.5	1760 0.16/7.3	1398 0.16/6.4	1000 0.16/5.6	511 0.22/4.8	-	-
850	2223 0.19/9.5	1912 0.19/8.4	1575 0.19/7.3	1213 0.19/6.6	802 0.21/5.9	187 0.44/5.2	-
900	2354 0.23/10.6	2062 0.23/9.4	1747 0.23/8.4	1413 0.22/7.7	1047 0.23/6.9	607 0.31/6.2	-
950	2485 0.27/11.8	2210 0.27/10.6	1914 0.27/9.6	1602 0.26/8.7	1269 0.27/8	895 0.37/7.3	401 0.47/6.6
1000	2616 0.31/13	2356 0.31/11.8	2077 0.31/10.7	1785 0.31/9.9	1476 0.31/9.2	1142 0.32/8.4	753 0.47/7.7
1050	2746 0.36/14.2	2500 0.36/13.1	2236 0.36/12	1961 0.36/11.1	1673 0.36/10.4	1367 0.36/9.6	1029 0.4/8.9
1100	2877 0.42/15.5	2643 0.42/14.3	2392 0.42/13.3	2132 0.41/12.4	1862 0.41/11.6	1577 0.41/10.9	1272 0.43/10.2
1150	3008 0.48/16.8	2786 0.47/15.7	2546 0.47/14.7	2299 0.47/13.7	2044 0.47/12.9	1778 0.47/12.3	1496 0.47/11.5

Performance certified is for installation type A-free inlet, free outlet. Performance ratings include the effects of birdscreen. The sound ratings shown are loudness values in fan sones @ 5' (1.5m) in a hemispherical free field calculated per AMCA Standard 301. Values shown are for Installation Type A-free inlet fan hemispherical levels. Speed (RPM) shown is nominal. Performance is based on actual speed of test.



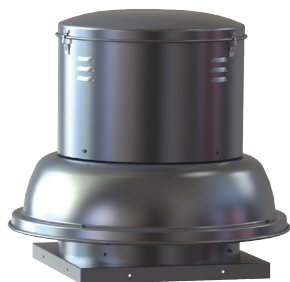
JencoFan, Div. of Soler & Palau Ventilation Group, certifies that the Models eRED shown herein are licensed to bear the AMCA Seal. The ratings shown are based on test and procedures performed in accordance with AMCA Publication 211 and AMCA Publication 311 and comply with the requirement of the AMCA Certified Ratings Program.



MODELS SDBD & SDB

DIRECT DRIVE AND BELT DRIVE CENTRIFUGAL DOWNBLAST ROOF EXHAUSTERS

MODEL SDBD - DIRECT DRIVE CENTRIFUGAL ROOF EXHAUSTER



MODEL FEATURES

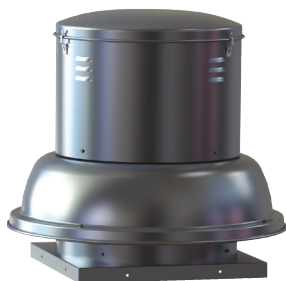
- Exhaust air up to 4,980 CFM in high static pressure applications up to 1-1/2" w.g.
- Attractive spun aluminum exterior
- Direct drive units have low sound levels and quiet operation
- Curved non-overloading backward inclined wheel for efficiency at higher static pressures
- AMCA Air and Sound Licensed
- cULus 705 Listed

MODEL OVERVIEW

Model SDBD direct drive fans are designed to exhaust air up to 4,980 CFM in high static pressure applications to 1-1/2". The spun aluminum exterior provides an attractive appearance. The non-overloading backward inclined wheel with its higher static pressure capability makes this unit suitable for either ducted or nonducted applications. Its roof mounting permits location near the area to be ventilated, allowing short duct runs and more efficient operation.

The SDBD is generally used to exhaust air from all types of commercial and institutional buildings such as hospitals and health care facilities, schools, recreational buildings, machinery and equipment rooms, offices, retail stores and similar applications.

MODEL SDB - BELT DRIVE CENTRIFUGAL ROOF EXHAUSTER



MODEL FEATURES

- Exhaust air up to 4,135 CFM in high static pressure applications up to 1-1/2 w.g.
- Attractive spun aluminum exterior
- Belt drives permit easy performance adjustments when needed
- Curved non-overloading backward inclined wheel for efficiency at higher static pressures
- AMCA Air and Sound Licensed
- cULus 705 Listed

MODEL OVERVIEW

Model SDB belt drive fans are designed to exhaust air up to 4,135 CFM in high static pressure applications to 1-1/2". The aluminum exterior provides an attractive appearance. Belt drive results in lower operating RPM and sound levels, making the Model SDB well suited to applications where quiet operation is important. Belt drive also permits easy performance adjustments when needed to balance the total ventilation system. The non-overloading backward inclined wheel with its higher static pressure capability makes this unit suitable for either ducted or nonducted applications. Its roof mounting permits location near the area to be ventilated, allowing short duct runs and more efficient operation.

SDBs are primarily used for the exhaust of relatively clean air from a wide range of commercial, industrial and institutional environments such as manufacturing and assembly plants, office buildings, schools, hospitals, restaurants, athletic facilities and many others.

Industry best 5 year fan housing warranty, 1 year motor warranty

Model SDB is available in our Quickship program. Sizes 6-16 are available for next day, 3-day or 10-day shipping from stock.





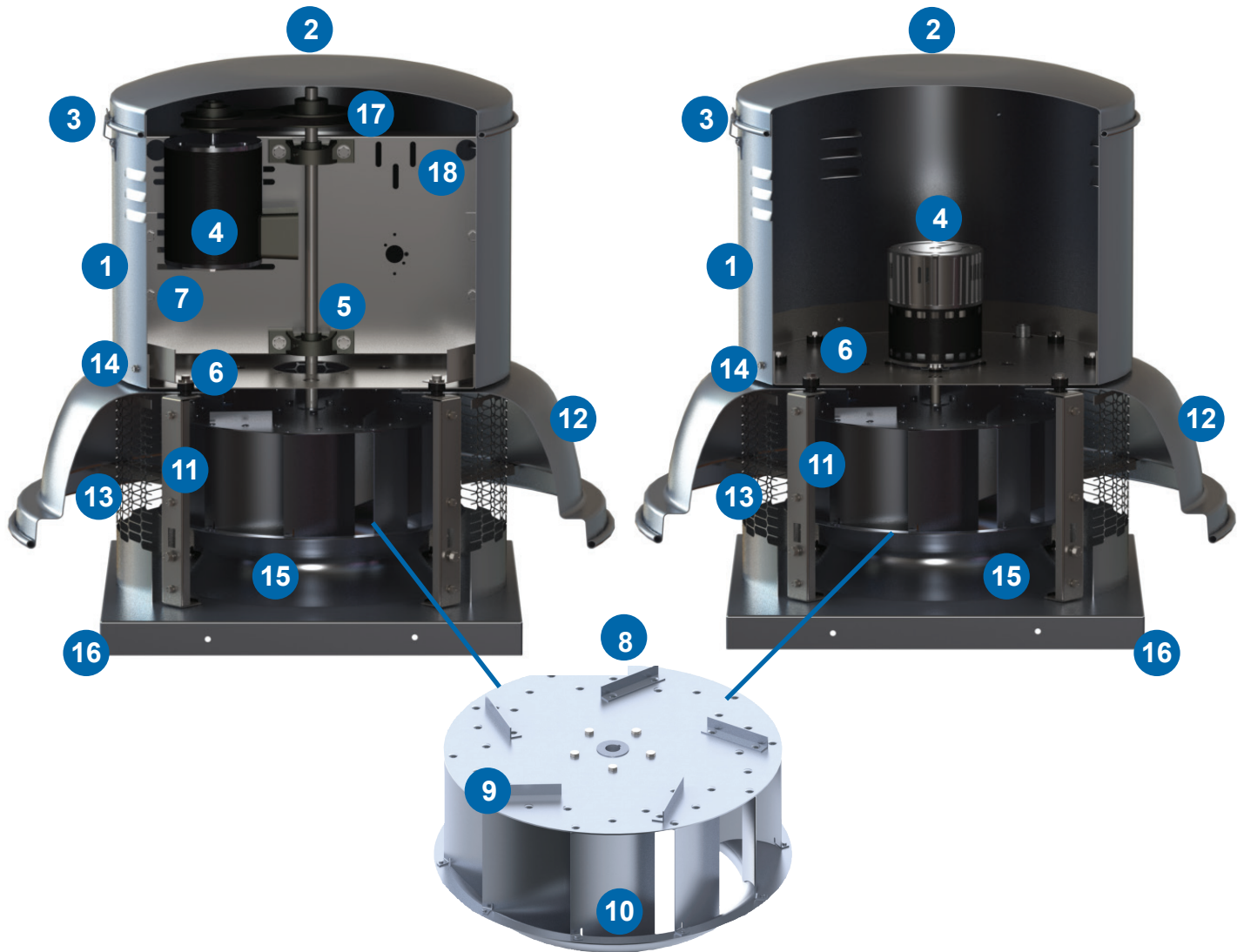
Downblast Model Overview & Construction Features

Model SDB - Belt Drive

Model SDBD - Direct Drive

Size Range	6, 7, 8, 10, 12, 14, 15 & 16
Motor HP Range	1/4 to 1
CFM Range	40 to 4135
Static Pressure	up to 1-1/2 in. w.g.
Warranty	5 years

Size Range	6, 7, 8, 10, 12, 14, 15 & 16
Motor HP Range	1/25 to 1-1/2
CFM Range	40 to 4980
Static Pressure	up to 1-3/4 in. w.g.
Warranty	5 years



Applications

General Purpose Exhaust - Clean Air

- Bathrooms
- Garages
- General (non-grease) Kitchen Areas
- Offices
- Dormitories
- Manufacturing and Assembly plants
- Warehouse
- Places of Worship
- Schools
- Many More



Downblast Model Overview & Construction Features

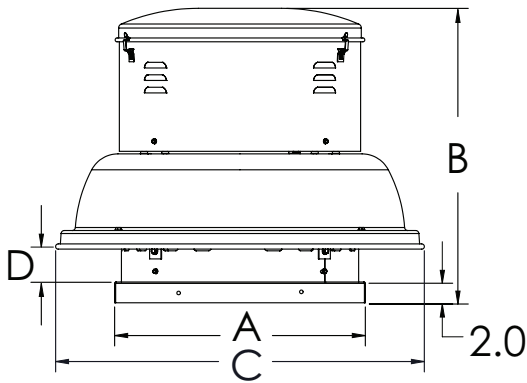
#	Feature	Description
1	Motor Cover	Heavy-gauge aluminum motor cover provides weather protection for motor compartment.
2	Motor Cover Cap	Heavy-gauge aluminum top with rolled bead for added strength and quick-release latches.
3	Quick-Release Latches	Stainless steel latches for easy removal of motor cover cap for access to the motor compartment and motor.
4	Motor	Open drip-proof enclosure standard, many other options available.
5	Bearings	Air handling ball bearing type with cast iron housing and grease fittings.
6	Vibration Isolators	Neoprene (rubber) vibration isolators to reduce vibration and noise.
7	Motor Mounting Plate	Heavy-gauge galvanized motor mounting plate.
8	Wheel	Aluminum, non-overloading, backward-inclined curved centrifugal wheel for maximum efficiency. Each wheel is dynamically balanced for smooth operation and long life.
9	Cooling Vanes	Helps promote cooling of the motor and drive by pulling air through the motor compartment. Helps maximize the life of the motor and drives.
10	Curved Blades	Designed to provide more CFM per HP and lower sound levels.
11	Support Legs	4 heavy-gauge galvanized support legs to anchor the motor plate to the fan base for stability and vibration reduction.
12	Fan Skirt	Aluminum fan skirt with rolled bead for extra strength. Fan skirt directs the exhausted air downward.
13	Birdscreen	Aluminum birdscreen standard to protect the fan from birds and other large objects.
14	Exterior Fasteners	Stainless steel.
15	Inlet Venturi	Deep spun single piece inlet venturi for optimum air and sound performance
16	Curb Cap	Fully welded curb cap for rigidity and weather protection. Pre-punched mounting holes for ease of installation.
17	Drives	Sized for 150% of drive HP, adjustable pitch motor sheaves.
18	Lifting Lugs	Standard on all belt drive models, SDB, for easy and safe placement of the fan on roof.
19	Disconnect Switch (not shown)	Standard with ODP and TE single speed motors. Ships loose.



DIMENSIONS

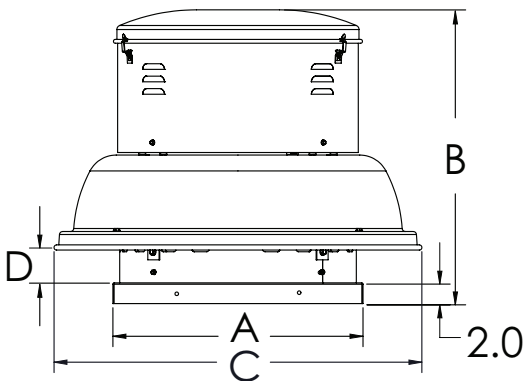
Dimensions in Inches

Model SDBD: Direct Drive Centrifugal Downblast



Size	A	B	C	D	Roof Opening	Curb O.D.	Damper O.D.	Average Ship Wt. Lbs.
6	18 1/8	25 7/8	27 5/8	2 5/8	13 1/2	16 1/2	12	109
7	18 1/8	25 7/8	27 5/8	2 5/8	13 1/2	16 1/2	12	109
8	18 1/8	25 7/8	27 5/8	2 5/8	13 1/2	16 1/2	12	109
10	18 1/8	25 7/8	27 5/8	2 5/8	13 1/2	16 1/2	12	109
12	20 1/8	27 5/8	30 1/4	3	15 1/2	18 1/2	14	122
14	20 1/8	27 5/8	30 1/4	3	15 1/2	18 1/2	14	126
15	24 1/8	28 1/4	35 1/2	3 1/4	19 1/2	22 1/2	18	140
16	24 1/8	28 1/4	35 1/2	3 1/4	19 1/2	22 1/2	18	140

Model SDB: Belt Drive Centrifugal Downblast



Size	A	B	C	D	Roof Opening	Curb O.D.	Damper (O.D.)	Average Ship Wt. Lbs.
6	18 1/8	29 7/8	27 5/8	2 5/8	13 1/2	16 1/2	12	109
7	18 1/8	29 7/8	27 5/8	2 5/8	13 1/2	16 1/2	12	109
8	18 1/8	29 7/8	27 5/8	2 5/8	13 1/2	16 1/2	12	109
10	18 1/8	29 7/8	27 5/8	2 5/8	13 1/2	16 1/2	12	109
12	20 1/8	31 5/8	30 1/4	3	15 1/2	18 1/2	14	122
14	20 1/8	31 5/8	30 1/4	3	15 1/2	18 1/2	14	126
15	24 1/8	32 1/4	35 1/2	3 1/4	19 1/2	22 1/2	18	140
16	24 1/8	32 1/4	35 1/2	3 1/4	19 1/2	22 1/2	18	140

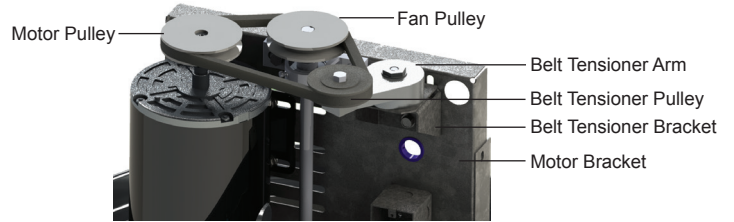


OPTIONS/ACCESSORIES

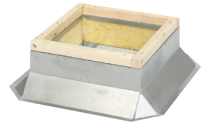
Solid State Speed Control (SDBD): JencoFan's solid state control is matched to the motor and blower wheel to allow continuous reduction in performance allowing adjustments of airflow for system balancing. CFM is reduced in direct proportion to motor speed reduction. Speed control is available for 115 or 230 volt single phase. Exhauster performance can be controlled from the ventilated area.



Automatic Belt Tensioner (SDB): Available on sizes 6-16, The Automatic Belt Tensioners eliminate the need for regular manual retensioning of drives, and the risk of inadvertently over-tensioning drive components is avoided and overall drive operating efficiency is enhanced. Benefits include reduction in startup and maintenance costs, increased belt life, increased drive efficiency, and ensure drive components do not snag obstructions.



Roof Curb: Prefabricated heavy-gauge galvanized steel, welded construction, 12" high (other heights are also available) with 1-1/2" wood nailer. Assures perfect fit of exhauster to roof opening. Options include burglar bars, single or double pitch construction and hinged curbs for easy duct access.



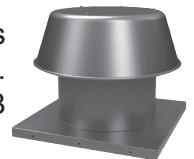
Sound Curb: Option of thermal acoustical lining or a complete maximum sound attenuating baffle system. Provision for mounting damper is available. Contact factory for information regarding effect on exhauster air performance and sound level.

Motor Operated Damper: Motor operated aluminum damper for positive closure against backdraft.



Automatic Damper: Automatic aluminum damper for ease in installation and effective backdraft protection.

Companion Gravity Units: Model RCX-II comes in a wide range of sizes and air capacities to provide relief or intake air to the system. Curbs and dampers are available to fit all sizes. Spun aluminum hoods provide a pleasing appearance, complementing the Model SDBD & SDB exhausters.



Special Coatings: Powered roof exhausters often require special coatings for protective and decorative purposes. Available coatings include: Synthetic Resin, Epoxy, and Heresite (air-dried phenolic). Contact your representative or the factory for more information on available coatings and colors.

Curb Hinge Arrangement: The curb hinge arrangement provides easy access to the exhaust fan, backdraft damper, and duct for servicing and cleaning.



CONSTRUCTION/SPECIFICATION CHECKLIST

Housing

- Curb cap has integral deep spun inlet for efficient performance and prepunched mounting holes for ease of installation.
- Spun aluminum hood and skirt for weather protection and attractive appearance.
- Heavy-gauge motor support for rigidity and strength.
- Neoprene isolators for reduction of vibration and sound.
- Quick-Release latches on motor cover for easy access to motor compartment.
- Conduit passage for easy electrical connection from below roof.
- Aluminum birdscreen is standard.
- Stainless steel fasteners on exterior.

Centrifugal Wheel

- All aluminum wheel.
- Backward-inclined for efficiency at higher static pressure.
- Non-overloading for safe operation in ducted systems.
- Curved blades for efficiency and quiet operation.
- Dynamically balanced for smooth operation.

Speed Controllable Motors

- Brands are nationally recognized and locally serviced.
- Motors are single speed, speed controllable and drip-proof.
- All motors are rated for continuous duty.
- Disconnect is standard.
- Motors ship mounted as standard.

AMCA Seal

- Assures rating of Air and Sound performance.

UL Label

- UL 705 Listing assures electrical reliability.
- UL 705 must be specified when required.



PERFORMANCE

Sizes 6 & 7

Model	Motor HP	RPM		Static Pressure in Inches w.g.							
				0	0.125	0.25	0.375	0.5	0.625	0.75	
SDBD6C (1)	1/10	900	CFM	122	88	-	-	-	-	-	-
			BHP	0.01	0.01	-	-	-	-	-	-
			Sones	2.2	1.8	-	-	-	-	-	-
	1/10	1050	CFM	142	113	71	-	-	-	-	-
			BHP	0.01	0.01	0.01	-	-	-	-	-
			Sones	3.1	2.7	2.8	-	-	-	-	-
	1/10	1200	CFM	162	137	110	51	-	-	-	-
			BHP	0.01	0.01	0.01	0.02	-	-	-	-
			Sones	4.2	3.8	3.7	3.8	-	-	-	-
	1/10	1350	CFM	183	160	138	108	44	-	-	-
			BHP	0.02	0.02	0.02	0.02	0.02	-	-	-
			Sones	5.3	4.9	4.8	4.9	4.9	-	-	-
	1/10	1500	CFM	203	182	162	141	106	46	-	-
			BHP	0.02	0.02	0.03	0.03	0.03	0.03	-	-
			Sones	6.5	6.0	5.9	5.9	6.0	6.0	-	-
	1/10	1650	CFM	219	200	181	163	140	96	41	-
			BHP	0.03	0.03	0.03	0.03	0.04	0.04	0.03	-
			Sones	7.4	7.0	6.8	6.8	6.9	6.9	7.0	-
SDBD6 (1)	1/10	900	CFM	168	116	-	-	-	-	-	-
			BHP	0.01	0.01	-	-	-	-	-	-
			Sones	3.6	1.8	-	-	-	-	-	-
	1/10	1050	CFM	196	153	84	-	-	-	-	-
			BHP	0.01	0.01	0.01	-	-	-	-	-
			Sones	4.5	2.9	3.0	-	-	-	-	-
	1/10	1200	CFM	224	188	142	62	-	-	-	-
			BHP	0.01	0.01	0.02	0.02	-	-	-	-
			Sones	5.4	4.1	3.8	4.1	-	-	-	-
	1/10	1350	CFM	253	220	184	133	55	-	-	-
			BHP	0.01	0.02	0.02	0.02	0.02	-	-	-
			Sones	6.4	5.3	4.9	5.0	5.3	-	-	-
	1/10	1500	CFM	281	251	220	184	126	57	-	-
			BHP	0.02	0.02	0.03	0.03	0.03	0.03	-	-
			Sones	7.3	6.5	6.1	6.0	6.2	6.4	-	-
	1/10	1650	CFM	303	275	249	217	176	112	52	-
			BHP	0.02	0.03	0.03	0.04	0.04	0.04	0.04	-
			Sones	8.2	7.5	7.1	6.8	7.0	7.2	7.4	-
SDBD7	1/10	900	CFM	244	147	-	-	-	-	-	-
			BHP	0.01	0.01	-	-	-	-	-	-
			Sones	2.5	2.1	-	-	-	-	-	-
	1/10	1050	CFM	285	205	93	-	-	-	-	-
			BHP	0.01	0.01	0.01	-	-	-	-	-
			Sones	3.4	2.9	3.3	-	-	-	-	-
	1/10	1200	CFM	326	258	174	68	-	-	-	-
			BHP	0.01	0.02	0.02	0.02	-	-	-	-
			Sones	4.4	3.8	4.1	4.6	-	-	-	-
	1/10	1350	CFM	367	306	239	149	60	-	-	-
			BHP	0.02	0.02	0.03	0.03	0.03	-	-	-
			Sones	5.5	5.0	5.1	5.4	5.8	-	-	-
	1/10	1500	CFM	407	353	295	228	140	62	-	-
			BHP	0.03	0.03	0.03	0.04	0.04	0.03	-	-
			Sones	6.8	6.2	6.1	6.4	6.7	7.0	-	-
	1/10	1650	CFM	440	389	339	280	206	126	56	-
			BHP	0.03	0.04	0.04	0.05	0.05	0.05	0.04	-
			Sones	8.0	7.2	6.9	7.2	7.4	7.7	8.1	-



JencoFan, Div. of Soler & Palau Ventilation Group, certifies that the Models SDBD shown herein are licensed to bear the AMCA Seal. The ratings shown are based on test and procedures performed in accordance with AMCA Publication 211 and AMCA Publication 311 and comply with the requirement of the AMCA Certified Ratings Program.



(1) Models SDBD6C and SDBD6 have series has choke plate. Performance certified is for installation type A-free inlet, free outlet.

Performance ratings include the effects of birdscreen in the airstream.

The sound ratings shown are loudness values in fan sones @ 5' (1.5m) in a hemispherical free field calculated per AMCA Standard 301. Values shown are for Installation Type A-free inlet fan sone levels.

Speed (RPM) shown is nominal. Performance is based on actual speed of test.

Fan RPM performances may vary from actual current motor offerings for any given model. See Optimizer2 fan selection software for current motor RPM offerings



Size 8

Motor HP	RPM		Static Pressure in Inches w.g.							
			0	0.125	0.25	0.375	0.5	0.625	0.75	0.875
1/25	700	CFM	381	188	-	-	-	-	-	-
		BHP	0.01	0.01	-	-	-	-	-	-
		Sones	2.4	1.2	-	-	-	-	-	-
1/25	850	CFM	463	343	-	-	-	-	-	-
		BHP	0.01	0.01	-	-	-	-	-	-
		Sones	3.7	2.9	-	-	-	-	-	-
1/25	1000	CFM	545	447	284	-	-	-	-	-
		BHP	0.01	0.02	0.02	-	-	-	-	-
		Sones	5.2	4.4	3.7	-	-	-	-	-
1/25	1150	CFM	610	527	420	-	-	-	-	-
		BHP	0.02	0.03	0.03	-	-	-	-	-
		Sones	6.8	6.0	5.7	-	-	-	-	-
1/10	1200	CFM	326	258	174	68	-	-	-	-
		BHP	0.01	0.02	0.02	0.02	-	-	-	-
		Sones	11.1	9.6	4.9	5.7	-	-	-	-
1/10	1250	CFM	340	274	198	95	-	-	-	-
		BHP	0.01	0.02	0.02	0.02	-	-	-	-
		Sones	11.5	10.0	5.4	5.8	-	-	-	-
1/10	1300	CFM	353	290	220	121	-	-	-	-
		BHP	0.02	0.02	0.03	0.03	-	-	-	-
		Sones	11.8	10.5	6.3	6.0	-	-	-	-
1/10	1350	CFM	367	306	239	149	60	-	-	-
		BHP	0.02	0.02	0.03	0.03	0.03	-	-	-
		Sones	12.2	10.9	7.2	6.2	6.9	-	-	-
1/10	1400	CFM	380	321	258	177	86	-	-	-
		BHP	0.02	0.02	0.03	0.03	0.03	-	-	-
		Sones	12.6	11.3	8.1	6.5	7.0	-	-	-
1/10	1450	CFM	394	337	276	203	113	-	-	-
		BHP	0.02	0.03	0.03	0.04	0.04	-	-	-
		Sones	12.9	11.7	8.8	6.8	7.2	-	-	-
1/10	1500	CFM	407	353	295	228	140	62	-	-
		BHP	0.03	0.03	0.03	0.04	0.04	0.03	-	-
		Sones	13.3	12.1	10.1	7.2	7.4	8.0	-	-
1/10	1550	CFM	421	368	313	251	167	88	-	-
		BHP	0.03	0.03	0.04	0.04	0.05	0.04	-	-
		Sones	13.7	12.5	10.9	7.7	7.7	8.1	-	-
1/10	1600	CFM	435	383	331	272	195	115	46	-
		BHP	0.03	0.03	0.04	0.05	0.05	0.05	0.04	-
		Sones	14.0	12.9	11.8	8.4	7.9	8.2	8.9	-
1/10	1650	CFM	856	784	708	622	514	361	184	-
		BHP	0.07	0.09	0.10	0.10	0.10	0.10	0.07	-
		Sones	14.4	13.3	12.3	9.2	8.1	8.4	9.0	-
1/4	1700	CFM	910	861	804	746	677	591	440	171
		BHP	0.09	0.10	0.11	0.12	0.13	0.13	0.12	0.08
		Sones	10.7	10.1	9.5	9.0	8.3	8.2	8.5	8.8
1/4	1750	CFM	940	893	838	783	719	641	534	302
		BHP	0.10	0.11	0.12	0.13	0.14	0.14	0.14	0.11
		Sones	11.3	10.5	10.0	9.5	8.8	8.5	8.7	9.0



JencoFan, Div. of Soler & Palau Ventilation Group, certifies that the Models SDBD shown herein are licensed to bear the AMCA Seal. The ratings shown are based on test and procedures performed in accordance with AMCA Publication 211 and AMCA Publication 311 and comply with the requirement of the AMCA Certified Ratings Program.



Performance certified is for installation type A-free inlet, free outlet. Performance ratings include the effects of birdscreen in the airstream.

The sound ratings shown are loudness values in fan sones @ 5' (1.5m) in a hemispherical free field calculated per AMCA Standard 301. Values shown are for Installation Type A-free inlet fan sone levels.

Speed (RPM) shown is nominal. Performance is based on actual speed of test.

Fan RPM performances may vary from actual current motor offerings for any given model. See Optimizer2 fan selection software for current motor RPM offerings



Size 10

Motor HP	RPM		Static Pressure in Inches w.g.								
			0	0.125	0.25	0.375	0.5	0.625	0.75	0.875	1
1/4	700	CFM	589	416	-	-	-	-	-	-	-
		BHP	0.02	0.03	-	-	-	-	-	-	-
		Sones	3.0	2.5	-	-	-	-	-	-	-
1/4	850	CFM	715	586	391	-	-	-	-	-	-
		BHP	0.04	0.04	0.05	-	-	-	-	-	-
		Sones	4.4	4.2	3.8	-	-	-	-	-	-
1/4	1000	CFM	841	738	601	378	-	-	-	-	-
		BHP	0.06	0.07	0.07	0.07	-	-	-	-	-
		Sones	6.0	5.9	5.6	5.3	-	-	-	-	-
1/4	1150	CFM	982	896	792	666	470	-	-	-	-
		BHP	0.09	0.10	0.11	0.12	0.12	-	-	-	-
		Sones	7.8	7.6	7.5	7.2	6.9	-	-	-	-
1/3	1200	CFM	1013	929	833	713	555	-	-	-	-
		BHP	0.08	0.08	0.09	0.10	0.10	-	-	-	-
		Sones	8.5	8.3	7.9	7.4	7.4	-	-	-	-
1/3	1250	CFM	1056	976	885	774	642	363	-	-	-
		BHP	0.09	0.09	0.10	0.11	0.11	0.10	-	-	-
		Sones	9.1	8.8	8.4	7.9	7.9	7.9	-	-	-
1/3	1300	CFM	1098	1022	935	832	713	515	-	-	-
		BHP	0.10	0.10	0.11	0.12	0.12	0.12	-	-	-
		Sones	9.7	9.3	9.0	8.5	8.3	8.4	-	-	-
1/3	1350	CFM	1140	1067	985	889	779	637	-	-	-
		BHP	0.11	0.11	0.12	0.13	0.14	0.14	-	-	-
		Sones	10.4	9.9	9.6	9.1	8.8	8.8	-	-	-
1/3	1400	CFM	1182	1112	1033	945	841	721	492	-	-
		BHP	0.12	0.13	0.14	0.15	0.15	0.16	0.15	-	-
		Sones	11.0	10.5	10.2	9.7	9.3	9.3	9.3	-	-
1/3	1450	CFM	1225	1157	1081	999	901	792	634	-	-
		BHP	0.13	0.14	0.15	0.16	0.17	0.17	0.17	-	-
		Sones	11.7	11.1	10.6	10.3	10.0	9.8	9.9	-	-
1/3	1500	CFM	1267	1202	1129	1052	960	859	737	494	-
		BHP	0.15	0.15	0.17	0.18	0.18	0.19	0.19	0.18	-
		Sones	12.3	11.7	11.2	10.9	10.6	10.4	10.4	10.4	-
1/3	1550	CFM	1309	1247	1176	1103	1017	921	814	642	-
		BHP	0.16	0.17	0.18	0.19	0.20	0.21	0.21	0.21	-
		Sones	12.9	12.4	11.9	11.4	11.1	10.9	10.7	10.8	-
1/3	1600	CFM	1351	1291	1224	1154	1073	982	884	759	517
		BHP	0.18	0.19	0.20	0.21	0.22	0.23	0.23	0.23	0.21
		Sones	13.4	12.9	12.5	12.1	11.7	11.3	11.2	11.1	11.2
1/3	1650	CFM	1394	1336	1270	1203	1128	1042	949	844	667
		BHP	0.20	0.20	0.21	0.23	0.24	0.25	0.25	0.26	0.25
		Sones	14.0	13.5	13.1	12.7	12.3	12.0	11.7	11.7	11.8
1/3	1700	CFM	1456	1401	1339	1275	1206	1127	1041	949	836
		BHP	0.22	0.23	0.24	0.26	0.27	0.28	0.28	0.29	0.29
		Sones	14.7	14.1	13.6	13.3	13.0	12.6	12.3	12.3	12.4



JencoFan, Div. of Soler & Palau Ventilation Group, certifies that the Models SDBD shown herein are licensed to bear the AMCA Seal. The ratings shown are based on test and procedures performed in accordance with AMCA Publication 211 and AMCA Publication 311 and comply with the requirement of the AMCA Certified Ratings Program.



Performance certified is for installation type A-free inlet, free outlet.

Performance ratings include the effects of birdscreen in the airstream.

The sound ratings shown are loudness values in fan sones @ 5' (1.5m) in a hemispherical free field calculated per AMCA Standard 301. Values shown are for Installation Type A-free inlet fan sone levels.

Speed (RPM) shown is nominal. Performance is based on actual speed of test.

Fan RPM performances may vary from actual current motor offerings for any given model. See Optimizer2 fan selection software for current motor RPM offerings



Size 12

Motor HP	RPM		Static Pressure in Inches w.g.									
			0	0.125	0.25	0.375	0.5	0.625	0.75	0.875	1	1.25
1/4	900	CFM	1000	856	673	275	-	-	-	-	-	-
		BHP	0.06	0.07	0.07	0.07	-	-	-	-	-	-
		Sones	6.0	5.4	4.9	4.8	-	-	-	-	-	-
1/4	950	CFM	1055	920	756	479	-	-	-	-	-	-
		BHP	0.07	0.08	0.09	0.09	-	-	-	-	-	-
		Sones	6.6	6.0	5.5	5.3	-	-	-	-	-	-
1/4	1000	CFM	1111	984	830	626	-	-	-	-	-	-
		BHP	0.08	0.09	0.10	0.10	-	-	-	-	-	-
		Sones	7.2	6.6	6.1	5.9	-	-	-	-	-	-
1/4	1050	CFM	1167	1047	902	728	366	-	-	-	-	-
		BHP	0.10	0.11	0.11	0.12	0.11	-	-	-	-	-
		Sones	7.8	7.2	6.7	6.4	6.4	-	-	-	-	-
1/4	1100	CFM	1222	1110	975	821	564	-	-	-	-	-
		BHP	0.11	0.12	0.13	0.13	0.13	-	-	-	-	-
		Sones	8.4	7.9	7.3	7.0	6.9	-	-	-	-	-
1/4	1150	CFM	1281	1176	1050	909	719	312	-	-	-	-
		BHP	0.13	0.14	0.15	0.15	0.16	0.14	-	-	-	-
		Sones	9.1	8.5	8.0	7.5	7.5	7.5	-	-	-	-
1/2	1200	CFM	1331	1101	1108	971	805	524	-	-	-	-
		BHP	0.10	0.13	0.13	0.14	0.14	0.14	-	-	-	-
		Sones	9.0	8.6	8.3	8.0	8.0	8.0	-	-	-	-
1/2	1250	CFM	1386	1124	1175	1047	897	702	-	-	-	-
		BHP	0.11	0.15	0.15	0.15	0.16	0.16	-	-	-	-
		Sones	9.6	9.2	8.9	8.6	8.5	8.6	-	-	-	-
1/2	1300	CFM	1442	1151	1240	1121	983	822	514	-	-	-
		BHP	0.13	0.17	0.16	0.17	0.18	0.18	0.17	-	-	-
		Sones	10.3	9.9	9.6	9.3	9.0	9.1	9.2	-	-	-
1/2	1350	CFM	1497	1182	1304	1193	1065	916	707	-	-	-
		BHP	0.14	0.19	0.18	0.19	0.20	0.20	0.20	-	-	-
		Sones	10.9	10.5	10.2	10.0	9.6	9.7	9.8	-	-	-
1/2	1400	CFM	1553	1215	1366	1263	1143	1007	850	539	-	-
		BHP	0.16	0.21	0.20	0.21	0.22	0.23	0.23	0.21	-	-
		Sones	11.6	11.2	10.9	10.6	10.3	10.3	10.4	10.5	-	-
1/2	1450	CFM	1608	1252	1428	1331	1219	1093	949	735	-	-
		BHP	0.18	0.24	0.22	0.23	0.24	0.25	0.25	0.25	-	-
		Sones	12.3	11.9	11.6	11.3	11.0	10.8	10.9	11.1	-	-
1/2	1500	CFM	1664	1291	1474	1398	1293	1175	1043	890	589	-
		BHP	0.20	0.26	0.24	0.25	0.26	0.27	0.28	0.28	0.26	-
		Sones	13.0	12.6	12.3	12.0	11.7	11.5	11.6	11.7	11.8	-
1/2	1550	CFM	1719	1333	1495	1464	1365	1254	1132	995	785	-
		BHP	0.22	0.29	0.27	0.28	0.29	0.30	0.31	0.31	0.30	-
		Sones	13.7	13.3	12.9	12.7	12.4	12.1	12.1	12.2	12.3	-
1/2	1600	CFM	1774	1377	1515	1529	1435	1331	1217	1089	942	-
		BHP	0.24	0.32	0.30	0.30	0.31	0.32	0.33	0.34	0.34	-
		Sones	14.4	14.0	13.6	13.3	13.0	12.8	12.6	12.7	12.8	-
1/2	1650	CFM	1830	1424	1536	1592	1504	1406	1298	1180	1051	548
		BHP	0.26	0.35	0.34	0.33	0.34	0.35	0.36	0.37	0.37	0.33
		Sones	15.1	14.7	14.3	14.0	13.7	13.4	13.2	13.2	13.3	13.6
1/2	1700	CFM	1902	1486	1565	1674	1592	1500	1401	1292	1173	811
		BHP	0.29	0.39	0.38	0.36	0.38	0.39	0.40	0.41	0.41	0.41
		Sones	15.9	15.4	15.0	14.7	14.4	14.1	13.8	13.7	13.9	14.1



JencoFan, Div. of Soler & Palau Ventilation Group, certifies that the Models SDBD shown herein are licensed to bear the AMCA Seal. The ratings shown are based on test and procedures performed in accordance with AMCA Publication 211 and AMCA Publication 311 and comply with the requirement of the AMCA Certified Ratings Program.



Performance certified is for installation type A-free inlet, free outlet.

Performance ratings include the effects of birdscreen in the airstream.

The sound ratings shown are loudness values in fan sones @ 5' (1.5m) in a hemispherical free field calculated per AMCA Standard 301. Values shown are for Installation Type A-free inlet fan sone levels.

Speed (RPM) shown is nominal. Performance is based on actual speed of test.

Fan RPM performances may vary from actual current motor offerings for any given model. See Optimizer2 fan selection software for current motor RPM offerings



Size 14

Motor HP	RPM		Static Pressure in Inches w.g.										
			0	0.125	0.25	0.375	0.5	0.625	0.75	0.875	1	1.25	1.5
1/4	750	CFM	1511	1269	942	-	-	-	-	-	-	-	-
		BHP	0.07	0.08	0.08	-	-	-	-	-	-	-	-
		Sones	6.5	5.7	4.6	-	-	-	-	-	-	-	-
1/4	800	CFM	1612	1387	1103	-	-	-	-	-	-	-	
		BHP	0.08	0.09	0.10	-	-	-	-	-	-	-	
		Sones	7.3	6.5	5.3	-	-	-	-	-	-	-	
1/4	850	CFM	1712	1503	1252	892	-	-	-	-	-	-	
		BHP	0.10	0.11	0.12	0.12	-	-	-	-	-	-	
		Sones	8.2	7.4	6.2	5.7	-	-	-	-	-	-	
1/4	900	CFM	1813	1617	1393	1093	-	-	-	-	-	-	
		BHP	0.12	0.13	0.14	0.15	-	-	-	-	-	-	
		Sones	9.0	8.3	7.2	6.5	-	-	-	-	-	-	
1/4	950	CFM	1914	1731	1524	1256	858	-	-	-	-	-	
		BHP	0.14	0.15	0.17	0.17	0.16	-	-	-	-	-	
		Sones	9.9	9.2	8.2	7.2	7.0	-	-	-	-	-	
1/4	1000	CFM	2015	1845	1649	1412	1116	-	-	-	-	-	
		BHP	0.16	0.18	0.19	0.20	0.20	-	-	-	-	-	
		Sones	11.0	10.2	9.4	8.0	7.8	-	-	-	-	-	
1/4	1050	CFM	2115	1958	1769	1560	1298	884	-	-	-	-	
		BHP	0.18	0.20	0.22	0.23	0.23	0.22	-	-	-	-	
		Sones	12.0	11.3	10.5	9.1	8.6	8.4	-	-	-	-	
1/4	1100	CFM	2196	2047	1864	1673	1428	1115	-	-	-	-	
		BHP	0.21	0.23	0.24	0.25	0.26	0.25	-	-	-	-	
		Sones	13.0	12.3	11.6	10.2	9.4	9.2	-	-	-	-	
1	1725	CFM	3513	3438	3352	3252	3144	3032	2918	2810	2691	2410	2028
		BHP	0.65	0.67	0.70	0.73	0.75	0.78	0.82	0.84	0.86	0.89	0.88
		Sones	23.1	22.5	21.9	21.3	20.8	20.3	19.8	19.3	18.8	18.1	17.6

Performance certified is for installation type A-free inlet, free outlet.
 Performance ratings include the effects of birdscreen in the airstream.
 The sound ratings shown are loudness values in fan sones @ 5' (1.5m) in a hemispherical free field calculated per AMCA Standard 301. Values shown are for Installation Type A-free inlet fan sone levels.

Speed (RPM) shown is nominal. Performance is based on actual speed of test.

Fan RPM performances may vary from actual current motor offerings for any given model. See Optimizer2 fan selection software for current motor RPM offerings



JencoFan, Div. of Soler & Palau Ventilation Group, certifies that the Models SDBD shown herein are licensed to bear the AMCA Seal. The ratings shown are based on test and procedures performed in accordance with AMCA Publication 211 and AMCA Publication 311 and comply with the requirement of the AMCA Certified Ratings Program.





Size 15

Motor HP	RPM		Static Pressure in Inches w.g.											
			0	0.125	0.25	0.375	0.5	0.625	0.75	0.875	1	1.25	1.5	1.75
1/2	750	CFM	1748	1556	1282	779	-	-	-	-	-	-	-	-
		BHP	0.08	0.09	0.10	0.10	-	-	-	-	-	-	-	-
		Sones	7.4	6.9	6.2	5.6	-	-	-	-	-	-	-	-
1/2	800	CFM	1865	1688	1445	1140	-	-	-	-	-	-	-	-
		BHP	0.10	0.11	0.12	0.13	-	-	-	-	-	-	-	-
		Sones	8.3	7.7	7.1	6.4	-	-	-	-	-	-	-	-
1/2	850	CFM	1981	1816	1601	1334	-	-	-	-	-	-	-	-
		BHP	0.11	0.13	0.15	0.16	-	-	-	-	-	-	-	-
		Sones	9.2	8.6	8.2	7.3	-	-	-	-	-	-	-	-
1/2	900	CFM	2098	1943	1751	1508	1199	-	-	-	-	-	-	-
		BHP	0.14	0.16	0.17	0.18	0.19	-	-	-	-	-	-	-
		Sones	10.1	9.5	9.3	8.3	7.8	-	-	-	-	-	-	-
1/2	950	CFM	2214	2068	1896	1674	1419	-	-	-	-	-	-	-
		BHP	0.16	0.18	0.20	0.21	0.22	-	-	-	-	-	-	-
		Sones	11.1	10.5	10.3	9.5	8.6	-	-	-	-	-	-	-
1/2	1000	CFM	2331	2192	2035	1833	1606	1301	-	-	-	-	-	-
		BHP	0.19	0.21	0.23	0.24	0.25	0.25	-	-	-	-	-	-
		Sones	12.2	11.5	11.3	10.7	9.8	9.4	-	-	-	-	-	-
1/2	1050	CFM	2447	2315	2172	1988	1778	1537	-	-	-	-	-	-
		BHP	0.21	0.24	0.26	0.27	0.29	0.30	-	-	-	-	-	-
		Sones	13.2	12.6	12.3	11.9	11.0	10.2	-	-	-	-	-	-
1/2	1100	CFM	2564	2438	2305	2138	1943	1732	1454	-	-	-	-	-
		BHP	0.25	0.27	0.29	0.31	0.33	0.34	0.34	-	-	-	-	-
		Sones	14.4	13.6	13.4	13.2	12.3	11.5	11.1	-	-	-	-	-
1/2	1150	CFM	2685	2565	2440	2289	2109	1913	1690	1260	-	-	-	-
		BHP	0.28	0.31	0.33	0.35	0.37	0.38	0.39	0.38	-	-	-	-
		Sones	15.6	14.8	14.6	14.4	13.6	12.7	12.0	12.0	-	-	-	-
1-1/2	1750	CFM	4083	4005	3920	3825	3723	3622	3523	3421	3308	3068	2810	2508
		BHP	0.82	0.85	0.89	0.92	0.96	0.99	1.03	1.06	1.09	1.15	1.19	1.22
		Sones	22.2	21.9	21.5	21.1	20.7	20.5	20.6	20.6	20.6	20.7	20.9	21.1

Performance certified is for installation type A-free inlet, free outlet.

Performance ratings include the effects of birdscreen in the airstream.

The sound ratings shown are loudness values in fan sones @ 5' (1.5m) in a hemispherical free field calculated per AMCA Standard 301. Values shown are for Installation Type A-free inlet fan sone levels.

Speed (RPM) shown is nominal. Performance is based on actual speed of test.

Fan RPM performances may vary from actual current motor offerings for any given model. See Optimizer2 fan selection software for current motor RPM offerings



JencoFan, Div. of Soler & Palau Ventilation Group, certifies that the Models RED shown herein are licensed to bear the AMCA Seal. The ratings shown are based on test and procedures performed in accordance with AMCA Publication 211 and AMCA Publication 311 and comply with the requirement of the AMCA Certified Ratings Program.





Size 16

Motor HP	RPM		Static Pressure in Inches w.g.											
			0	0.125	0.25	0.375	0.5	0.625	0.75	0.875	1	1.25	1.5	1.75
1/2	750	CFM	2172	1945	1680	1317	-	-	-	-	-	-	-	-
		BHP	0.11	0.13	0.13	0.14	-	-	-	-	-	-	-	-
		Sones	8.6	8.1	7.4	6.7	-	-	-	-	-	-	-	-
1/2	800	CFM	2316	2105	1864	1555	-	-	-	-	-	-	-	-
		BHP	0.13	0.15	0.16	0.17	-	-	-	-	-	-	-	-
		Sones	9.6	9.1	8.5	7.9	-	-	-	-	-	-	-	-
1/2	850	CFM	2461	2263	2039	1776	1424	-	-	-	-	-	-	-
		BHP	0.16	0.18	0.19	0.20	0.20	-	-	-	-	-	-	-
		Sones	10.6	10.1	9.6	9.1	8.3	-	-	-	-	-	-	-
1/2	900	CFM	2606	2419	2212	1984	1682	-	-	-	-	-	-	-
		BHP	0.19	0.21	0.23	0.23	0.24	-	-	-	-	-	-	-
		Sones	11.7	11.2	10.7	10.3	9.5	-	-	-	-	-	-	-
1/2	950	CFM	2751	2574	2383	2175	1913	1590	-	-	-	-	-	-
		BHP	0.22	0.24	0.26	0.27	0.28	0.28	-	-	-	-	-	-
		Sones	12.8	12.4	12.0	11.4	11.0	10.1	-	-	-	-	-	-
1/2	1000	CFM	2896	2727	2551	2354	2129	1849	-	-	-	-	-	-
		BHP	0.25	0.28	0.30	0.32	0.33	0.33	-	-	-	-	-	-
		Sones	13.9	13.5	13.2	12.7	12.3	11.5	-	-	-	-	-	-
1/2	1050	CFM	3040	2880	2716	2527	2334	2085	1802	-	-	-	-	-
		BHP	0.29	0.32	0.34	0.36	0.37	0.38	0.38	-	-	-	-	-
		Sones	15.1	14.7	14.4	14.0	13.6	13.1	12.1	-	-	-	-	-
1/2	1100	CFM	3185	3032	2877	2701	2523	2304	2048	-	-	-	-	-
		BHP	0.34	0.36	0.39	0.41	0.42	0.44	0.44	-	-	-	-	-
		Sones	16.4	16.0	15.7	15.3	14.9	14.6	13.7	-	-	-	-	-
1/2	1150	CFM	3298	3150	3002	2835	2663	2468	2234	1975	-	-	-	-
		BHP	0.37	0.40	0.43	0.45	0.47	0.48	0.49	0.49	-	-	-	-
		Sones	17.7	17.3	17.0	16.6	16.3	15.9	15.4	14.3	-	-	-	-
1-1/2	1750	CFM	4984	4896	4804	4705	4601	4493	4383	4271	4155	3911	3636	3305
		BHP	1.16	1.20	1.24	1.28	1.32	1.36	1.39	1.42	1.45	1.53	1.59	1.63
		Sones	31.7	31.4	31.1	30.9	30.7	30.7	30.4	29.8	29.2	28.1	27.2	26.7

Performance certified is for installation type A-free inlet, free outlet.
 Performance ratings include the effects of birdscreen in the airstream.
 The sound ratings shown are loudness values in fan sones @ 5' (1.5m) in a hemispherical free field calculated per AMCA Standard 301. Values shown are for Installation Type A-free inlet fan sone levels.

Speed (RPM) shown is nominal. Performance is based on actual speed of test.

Fan RPM performances may vary from actual current motor offerings for any given model. See Optimizer2 fan selection software for current motor RPM offerings



JencoFan, Div. of Soler & Palau Ventilation Group, certifies that the Models RED shown herein are licensed to bear the AMCA Seal. The ratings shown are based on test and procedures performed in accordance with AMCA Publication 211 and AMCA Publication 311 and comply with the requirement of the AMCA Certified Ratings Program.



CONSTRUCTION/SPECIFICATION CHECKLIST

Housing

- Curb cap has integral deep spun inlet for efficient performance and prepunched mounting holes for ease of installation.
- Lifting lugs for easy and safe placement of the fan on the roof.
- Spun aluminum hood and skirt for weather protection and attractive appearance.
- Heavy-gauge motor support for rigidity and strength.
- Neoprene isolators for reduction of vibration and sound.
- Quick-Release latches on motor cover for easy access to motor compartment.
- Conduit passage for easy electrical connection from below roof.
- Aluminum birdscreen is standard.
- Stainless steel fasteners on exterior.

Centrifugal Wheel

- All aluminum wheel.
- Backward-inclined for efficiency at higher static pressure.
- Non-overloading for safe operation in ducted systems.
- Curved blades for efficiency and quiet operation.
- Dynamically balanced for smooth operation.

Motors

- 1 year warranty.
- Brands are nationally recognized and locally serviced.
- Single speed open drip-proof are standard.
- Explosion-proof, totally enclosed and two-speed motors are available.
- All motors are rated for continuous duty.
- 182T and larger motors shipped unmounted for field installation.
- Disconnect switch standard on single speed drip-proof and totally enclosed motors.

Drives

- Sized for minimum 150% of drive horsepower.
- Machined cast iron adjustable motor pulleys.
- Adjustable base for belt tensioning.
- Non-static oil resistant V-Belts.

Bearings

- 5 year bearing warranty.
- Heavy-duty ball bearing type.
- Air handling with grease fittings.
- Sized for a minimum L50 life in excess of 200,000 hours.

AMCA Seal

- Assures accuracy of Air and Sound Performance.

cULus Label

- cULus 705 listing assures electrical safety and reliability.
- cULus 705 must be specified when required.



SIZE 6

Motor HP	RPM		Static Pressure in Inches w.g.							
			0	0.125	0.25	0.375	0.5	0.625	0.75	0.875
1/4	700	CFM	131	41	-	-	-	-	-	-
		BHP	0.01	0.01	-	-	-	-	-	-
		Sones	1.2	1.2	-	-	-	-	-	-
1/4	850	CFM	159	104	-	-	-	-	-	-
		BHP	0.01	0.02	-	-	-	-	-	-
		Sones	2.1	2.0	-	-	-	-	-	-
1/4	900	CFM	169	118	-	-	-	-	-	-
		BHP	0.02	0.02	-	-	-	-	-	-
		Sones	2.4	2.3	-	-	-	-	-	-
1/4	1000	CFM	187	144	63	-	-	-	-	-
		BHP	0.02	0.03	0.03	-	-	-	-	-
		Sones	3.1	2.8	3.1	-	-	-	-	-
1/4	1100	CFM	206	167	112	-	-	-	-	-
		BHP	0.03	0.03	0.03	-	-	-	-	-
		Sones	3.9	3.6	3.8	-	-	-	-	-
1/4	1200	CFM	225	189	146	64	-	-	-	-
		BHP	0.04	0.04	0.04	0.04	-	-	-	-
		Sones	4.8	4.5	4.6	4.9	-	-	-	-
1/4	1300	CFM	244	212	174	116	-	-	-	-
		BHP	0.05	0.05	0.06	0.06	-	-	-	-
		Sones	5.8	5.5	5.4	5.7	-	-	-	-
1/4	1400	CFM	262	234	200	157	81	-	-	-
		BHP	0.07	0.07	0.07	0.07	0.07	-	-	-
		Sones	6.8	6.5	6.4	6.6	6.8	-	-	-
1/4	1500	CFM	281	255	223	188	133	56	-	-
		BHP	0.08	0.08	0.08	0.09	0.09	0.09	-	-
		Sones	7.9	7.6	7.4	7.5	7.7	7.9	-	-
1/4	1600	CFM	300	275	246	215	176	109	-	-
		BHP	0.10	0.10	0.10	0.10	0.11	0.11	-	-
		Sones	8.7	8.4	8.2	8.2	8.4	8.6	-	-
1/4	1700	CFM	319	295	268	241	208	160	92	-
		BHP	0.12	0.12	0.12	0.12	0.12	0.13	0.13	-
		Sones	9.5	9.2	8.9	9.0	9.1	9.2	9.4	-
1/4	1800	CFM	337	315	291	265	235	201	144	80
		BHP	0.14	0.14	0.14	0.14	0.15	0.15	0.15	0.15
		Sones	10.3	10.0	9.7	9.7	9.8	9.9	10.1	10.2
1/4	1900	CFM	356	335	313	288	262	232	193	132
		BHP	0.16	0.16	0.17	0.17	0.17	0.17	0.18	0.18
		Sones	11.1	10.8	10.5	10.4	10.5	10.6	10.8	10.9
1/4	2000	CFM	375	355	335	310	288	260	229	184
		BHP	0.19	0.19	0.19	0.19	0.20	0.20	0.20	0.21
		Sones	12.0	11.7	11.4	11.2	11.3	11.3	11.5	11.6

Power Ratings (BHP) does not include drive losses.

Performance certified is for installation type A - free inlet, free outlet.

Performance ratings include the effects of birdscreen in the airstream.

The sound ratings shown are loudness values in fan sones @ 5' (1.5m) in a hemispherical free field calculated per AMCA Standard 301. Values shown are for: Installation Type A: free inlet hemispherical sone levels.



JencoFan, Div. of Soler & Palau Ventilation Group, certifies that the Models SDB shown herein are licensed to bear the AMCA Seal. The ratings shown are based on test and procedures performed in accordance with AMCA Publication 211 and AMCA Publication 311 and comply with the requirement of the AMCA Certified Ratings Program.



UL STANDARD 705



SIZE 7

Motor HP	RPM		Static Pressure in Inches w.g.							
			0	0.125	0.25	0.375	0.5	0.625	0.75	0.875
1/4	700	CFM	192	44	-	-	-	-	-	-
		BHP	0.01	0.01	-	-	-	-	-	-
		Sones	1.3	1.4	-	-	-	-	-	-
1/4	800	CFM	219	102	-	-	-	-	-	-
		BHP	0.01	0.01	-	-	-	-	-	-
		Sones	2.1	2.0	-	-	-	-	-	-
1/4	900	CFM	246	150	-	-	-	-	-	-
		BHP	0.02	0.02	-	-	-	-	-	-
		Sones	2.7	2.4	-	-	-	-	-	-
1/4	1000	CFM	274	191	68	-	-	-	-	-
		BHP	0.02	0.03	0.03	-	-	-	-	-
		Sones	3.3	3.0	3.4	-	-	-	-	-
1/4	1100	CFM	301	227	126	-	-	-	-	-
		BHP	0.03	0.03	0.04	-	-	-	-	-
		Sones	4.0	3.7	4.1	-	-	-	-	-
1/4	1200	CFM	328	260	180	69	-	-	-	-
		BHP	0.04	0.04	0.05	0.05	-	-	-	-
		Sones	5.1	4.7	4.9	5.3	-	-	-	-
1/4	1300	CFM	356	293	224	127	-	-	-	-
		BHP	0.05	0.06	0.06	0.06	-	-	-	-
		Sones	6.1	5.7	5.7	6.1	-	-	-	-
1/4	1400	CFM	383	325	264	184	88	-	-	-
		BHP	0.07	0.07	0.07	0.07	0.07	-	-	-
		Sones	7.2	6.8	6.6	6.9	7.3	-	-	-
1/4	1500	CFM	411	357	301	234	146	-	-	-
		BHP	0.08	0.08	0.09	0.09	0.09	-	-	-
		Sones	8.5	8.1	7.7	7.9	8.3	-	-	-
1/4	1600	CFM	438	388	336	277	204	119	-	-
		BHP	0.10	0.10	0.10	0.11	0.11	0.11	-	-
		Sones	9.3	8.9	8.5	8.6	8.9	9.2	-	-
1/4	1700	CFM	465	419	369	318	256	177	-	-
		BHP	0.12	0.12	0.12	0.13	0.13	0.13	-	-
		Sones	10.1	9.7	9.4	9.2	9.5	9.8	-	-
1/4	1800	CFM	493	449	402	356	300	234	158	-
		BHP	0.14	0.14	0.15	0.15	0.15	0.15	0.16	-
		Sones	10.9	10.6	10.2	9.9	10.1	10.4	10.7	-
1/4	1900	CFM	520	478	434	391	342	286	216	145
		BHP	0.16	0.17	0.17	0.17	0.18	0.18	0.18	0.18
		Sones	11.7	11.4	11.1	10.8	10.8	11.1	11.3	11.6
1/4	2000	CFM	547	507	466	425	381	330	272	202
		BHP	0.19	0.19	0.20	0.20	0.20	0.21	0.21	0.21
		Sones	12.5	12.2	11.9	11.7	11.5	11.7	12.0	12.3

Power Ratings (BHP) does not include drive losses.

Performance certified is for installation type A - free inlet, free outlet.

Performance ratings include the effects of birdscreen in the airstream.

The sound ratings shown are loudness values in fan sones @ 5' (1.5m) in a hemispherical free field calculated per AMCA Standard 301. Values shown are for: Installation Type A: free inlet hemispherical sone levels.



JencoFan, Div. of Soler & Palau Ventilation Group, certifies that the Models SDB shown herein are licensed to bear the AMCA Seal. The ratings shown are based on test and procedures performed in accordance with AMCA Publication 211 and AMCA Publication 311 and comply with the requirement of the AMCA Certified Ratings Program.





SIZE 8

Motor HP	RPM		Static Pressure in Inches w.g.								
			0	0.125	0.25	0.375	0.5	0.625	0.75	0.875	1
1/4	700	CFM	377	194	-	-	-	-	-	-	-
		BHP	0.01	0.01	-	-	-	-	-	-	-
		Sones	2.0	1.4	-	-	-	-	-	-	-
1/4	800	CFM	431	302	-	-	-	-	-	-	-
		BHP	0.02	0.02	-	-	-	-	-	-	-
		Sones	2.9	2.4	-	-	-	-	-	-	-
1/4	900	CFM	485	378	-	-	-	-	-	-	-
		BHP	0.02	0.03	-	-	-	-	-	-	-
		Sones	3.8	3.1	-	-	-	-	-	-	-
1/4	1000	CFM	539	445	293	-	-	-	-	-	-
		BHP	0.03	0.03	0.04	-	-	-	-	-	-
		Sones	4.6	3.9	3.6	-	-	-	-	-	-
1/4	1100	CFM	593	508	403	-	-	-	-	-	-
		BHP	0.04	0.04	0.05	-	-	-	-	-	-
		Sones	5.4	4.7	4.6	-	-	-	-	-	-
1/4	1200	CFM	647	570	481	310	-	-	-	-	-
		BHP	0.05	0.05	0.06	0.06	-	-	-	-	-
		Sones	6.3	5.7	5.6	5.2	-	-	-	-	-
1/4	1300	CFM	701	630	553	450	-	-	-	-	-
		BHP	0.06	0.07	0.07	0.08	-	-	-	-	-
		Sones	7.2	6.8	6.6	6.4	-	-	-	-	-
1/4	1400	CFM	754	688	620	535	-	-	-	-	-
		BHP	0.08	0.08	0.09	0.10	-	-	-	-	-
		Sones	8.3	7.9	7.6	7.6	-	-	-	-	-
1/4	1500	CFM	808	746	684	612	519	-	-	-	-
		BHP	0.10	0.10	0.11	0.12	0.12	-	-	-	-
		Sones	9.5	9.0	8.6	8.7	8.5	-	-	-	-
1/4	1600	CFM	862	803	747	683	605	492	-	-	-
		BHP	0.12	0.12	0.13	0.14	0.14	0.14	-	-	-
		Sones	10.4	10.0	9.6	9.5	9.5	9.1	-	-	-
1/4	1700	CFM	916	860	808	750	683	602	445	-	-
		BHP	0.14	0.15	0.16	0.16	0.17	0.17	0.17	-	-
		Sones	11.6	10.9	10.6	10.4	10.4	10.2	9.9	-	-
1/4	1800	CFM	970	917	868	814	755	685	598	395	-
		BHP	0.17	0.18	0.18	0.19	0.20	0.20	0.20	0.19	-
		Sones	12.8	12.1	11.6	11.3	11.3	11.3	10.9	10.6	-
1/4	1900	CFM	1024	973	927	877	824	763	693	592	-
		BHP	0.20	0.21	0.21	0.22	0.23	0.24	0.24	0.24	-
		Sones	13.8	13.2	12.6	12.3	12.2	12.2	12.1	11.8	-
1/3	2000	CFM	1078	1029	985	939	890	836	773	702	586
		BHP	0.23	0.24	0.25	0.25	0.27	0.27	0.28	0.28	0.28
		Sones	15.0	14.3	13.8	13.3	13.1	13.1	13.2	12.9	12.7
1/3	2100	CFM	1132	1085	1043	1000	954	905	850	787	712
		BHP	0.26	0.28	0.28	0.29	0.30	0.31	0.32	0.32	0.33
		Sones	16.1	15.5	15.0	14.5	14.0	14.1	14.1	14.1	13.8

Power Ratings (BHP) does not include drive losses.

Performance certified is for installation type A - free inlet, free outlet.

Performance ratings include the effects of birdscreen in the airstream.

The sound ratings shown are loudness values in fan sones @ 5' (1.5m) in a hemispherical free field calculated per AMCA Standard 301. Values shown are for: Installation Type A: free inlet hemispherical sone levels.



JencoFan, Div. of Soler & Palau Ventilation Group, certifies that the Models SDB shown herein are licensed to bear the AMCA Seal. The ratings shown are based on test and procedures performed in accordance with AMCA Publication 211 and AMCA Publication 311 and comply with the requirement of the AMCA Certified Ratings Program.





MODEL SDB
BELT DRIVE CENTRIFUGAL DOWNBLAST ROOF EXHAUSTER

SIZE 10

Motor HP	RPM		Static Pressure in Inches w.g.								
			0	0.125	0.25	0.375	0.5	0.625	0.75	0.875	1
1/4	700	CFM	586	423	-	-	-	-	-	-	-
		BHP	0.02	0.02	-	-	-	-	-	-	-
		Sones	3.1	2.6	-	-	-	-	-	-	-
1/4	800	CFM	669	537	244	-	-	-	-	-	-
		BHP	0.02	0.03	0.03	-	-	-	-	-	-
		Sones	4.1	3.5	3.5	-	-	-	-	-	-
1/4	900	CFM	753	639	479	-	-	-	-	-	-
		BHP	0.03	0.04	0.05	-	-	-	-	-	-
		Sones	5.1	4.5	4.3	-	-	-	-	-	-
1/4	1000	CFM	837	737	610	374	-	-	-	-	-
		BHP	0.05	0.06	0.06	0.06	-	-	-	-	-
		Sones	6.0	5.5	5.2	5.3	-	-	-	-	-
1/4	1100	CFM	920	832	725	583	-	-	-	-	-
		BHP	0.06	0.07	0.08	0.08	-	-	-	-	-
		Sones	7.1	6.6	6.4	6.3	-	-	-	-	-
1/4	1200	CFM	1004	924	830	717	562	-	-	-	-
		BHP	0.08	0.09	0.10	0.11	0.11	-	-	-	-
		Sones	8.3	7.8	7.5	7.3	7.4	-	-	-	-
1/4	1300	CFM	1088	1014	931	836	716	513	-	-	-
		BHP	0.10	0.11	0.12	0.13	0.14	0.14	-	-	-
		Sones	9.6	9.1	8.8	8.6	8.5	8.7	-	-	-
1/4	1400	CFM	1171	1104	1029	945	846	725	-	-	-
		BHP	0.13	0.14	0.15	0.16	0.17	0.17	-	-	-
		Sones	11.1	10.5	10.1	10.0	9.8	9.9	-	-	-
1/3	1500	CFM	1255	1192	1124	1048	964	863	744	-	-
		BHP	0.16	0.17	0.18	0.19	0.20	0.21	0.21	-	-
		Sones	12.6	12.1	11.5	11.4	11.3	11.2	11.3	-	-
1/3	1600	CFM	1339	1280	1217	1148	1073	988	888	768	-
		BHP	0.19	0.21	0.22	0.23	0.24	0.25	0.26	0.26	-
		Sones	13.8	13.3	12.8	12.6	12.5	12.3	12.3	12.4	-
1/3	1700	CFM	1422	1368	1309	1246	1177	1103	1018	920	801
		BHP	0.23	0.24	0.26	0.27	0.28	0.30	0.31	0.31	0.31
		Sones	15.1	14.6	14.1	13.8	13.7	13.5	13.4	13.5	13.6

Power Ratings (BHP) does not include drive losses.

Performance certified is for installation type A - free inlet, free outlet.

Performance ratings include the effects of birdscreen in the airstream.

The sound ratings shown are loudness values in fan sones @ 5' (1.5m) in a hemispherical free field calculated per AMCA Standard 301. Values shown are for: Installation Type A: free inlet hemispherical sone levels.



JencoFan, Div. of Soler & Palau Ventilation Group, certifies that the Models SDB shown herein are licensed to bear the AMCA Seal. The ratings shown are based on test and procedures performed in accordance with AMCA Publication 211 and AMCA Publication 311 and comply with the requirement of the AMCA Certified Ratings Program.





SIZE 12

Motor HP	RPM		Static Pressure in Inches w.g.										
			0	0.125	0.25	0.375	0.5	0.625	0.75	0.875	1	1.25	
1/4	600	CFM	660	425	-	-	-	-	-	-	-	-	-
		BHP	0.01	0.02	-	-	-	-	-	-	-	-	-
		Sones	2.5	2.1	-	-	-	-	-	-	-	-	-
1/4	700	CFM	770	585	-	-	-	-	-	-	-	-	-
		BHP	0.02	0.03	-	-	-	-	-	-	-	-	-
		Sones	3.5	3.2	-	-	-	-	-	-	-	-	-
1/4	800	CFM	880	726	509	-	-	-	-	-	-	-	-
		BHP	0.03	0.04	0.05	-	-	-	-	-	-	-	-
		Sones	4.5	4.2	3.9	-	-	-	-	-	-	-	-
1/4	900	CFM	990	859	690	-	-	-	-	-	-	-	-
		BHP	0.05	0.06	0.07	-	-	-	-	-	-	-	-
		Sones	5.6	5.3	5.0	-	-	-	-	-	-	-	-
1/4	1000	CFM	1100	987	842	665	-	-	-	-	-	-	-
		BHP	0.07	0.08	0.09	0.09	-	-	-	-	-	-	-
		Sones	6.6	6.4	6.1	5.9	-	-	-	-	-	-	-
1/4	1100	CFM	1210	1108	983	842	638	-	-	-	-	-	-
		BHP	0.09	0.10	0.11	0.12	0.12	-	-	-	-	-	-
		Sones	7.7	7.5	7.2	7.0	6.8	-	-	-	-	-	-
1/4	1200	CFM	1320	1227	1119	995	850	-	-	-	-	-	-
		BHP	0.11	0.13	0.14	0.15	0.16	-	-	-	-	-	-
		Sones	8.9	8.7	8.4	8.2	8.0	-	-	-	-	-	-
1/4	1300	CFM	1430	1343	1251	1138	1020	876	-	-	-	-	-
		BHP	0.15	0.16	0.17	0.19	0.19	0.20	-	-	-	-	-
		Sones	10.2	10.0	9.7	9.4	9.2	9.1	-	-	-	-	-
1/4	1400	CFM	1540	1459	1378	1277	1170	1053	913	-	-	-	-
		BHP	0.18	0.20	0.21	0.23	0.24	0.25	0.25	-	-	-	-
		Sones	11.5	11.3	11.1	10.8	10.5	10.4	10.3	-	-	-	-
1/3	1500	CFM	1650	1574	1500	1411	1313	1212	1096	960	-	-	-
		BHP	0.22	0.24	0.26	0.27	0.28	0.30	0.30	0.31	-	-	-
		Sones	12.9	12.7	12.6	12.3	11.9	11.8	11.7	11.6	-	-	-
1/2	1600	CFM	1760	1689	1620	1542	1452	1358	1261	1147	1019	-	-
		BHP	0.27	0.29	0.31	0.32	0.34	0.35	0.36	0.37	0.37	-	-
		Sones	14.2	14.0	13.9	13.7	13.4	13.1	12.9	12.8	12.7	-	-
1/2	1700	CFM	1870	1803	1738	1669	1587	1500	1411	1318	1207	872	-
		BHP	0.32	0.34	0.36	0.38	0.40	0.41	0.43	0.44	0.44	0.44	0.43
		Sones	15.6	15.4	15.3	15.1	14.8	14.5	14.3	14.2	14.0	13.9	-

Power Ratings (BHP) does not include drive losses.

Performance certified is for installation type A - free inlet, free outlet.

Performance ratings include the effects of birdscreen in the airstream.

The sound ratings shown are loudness values in fan sones @ 5' (1.5m) in a hemispherical free field calculated per AMCA Standard 301. Values shown are for: Installation Type A: free inlet hemispherical sone levels.



JencoFan, Div. of Soler & Palau Ventilation Group, certifies that the Models SDB shown herein are licensed to bear the AMCA Seal. The ratings shown are based on test and procedures performed in accordance with AMCA Publication 211 and AMCA Publication 311 and comply with the requirement of the AMCA Certified Ratings Program.





SIZE 14

Motor HP	RPM		Static Pressure in Inches w.g.										
			0	0.125	0.25	0.375	0.5	0.625	0.75	0.875	1	1.25	1.5
1/4	550	CFM	1108	802	-	-	-	-	-	-	-	-	-
		BHP	0.03	0.03	-	-	-	-	-	-	-	-	-
		Sones	3.4	2.4	-	-	-	-	-	-	-	-	-
1/4	650	CFM	1309	1070	-	-	-	-	-	-	-	-	-
		BHP	0.04	0.05	-	-	-	-	-	-	-	-	-
		Sones	4.6	3.7	-	-	-	-	-	-	-	-	-
1/4	750	CFM	1511	1312	1048	-	-	-	-	-	-	-	-
		BHP	0.07	0.08	0.09	-	-	-	-	-	-	-	-
		Sones	6.2	5.2	4.8	-	-	-	-	-	-	-	-
1/4	850	CFM	1712	1539	1332	1016	-	-	-	-	-	-	-
		BHP	0.10	0.11	0.12	0.12	-	-	-	-	-	-	-
		Sones	7.8	6.8	6.1	6.0	-	-	-	-	-	-	-
1/4	950	CFM	1914	1759	1591	1382	-	-	-	-	-	-	-
		BHP	0.13	0.15	0.16	0.17	-	-	-	-	-	-	-
		Sones	9.1	8.3	7.5	7.1	-	-	-	-	-	-	-
1/4	1050	CFM	2115	1975	1831	1655	1446	-	-	-	-	-	-
		BHP	0.18	0.19	0.21	0.23	0.23	-	-	-	-	-	-
		Sones	10.6	9.8	9.1	8.7	8.4	-	-	-	-	-	-
1/3	1150	CFM	2316	2188	2060	1914	1745	1531	-	-	-	-	-
		BHP	0.23	0.25	0.27	0.29	0.30	0.31	-	-	-	-	-
		Sones	12.2	11.5	10.9	10.4	10.0	9.9	-	-	-	-	-
1/2	1250	CFM	2518	2399	2283	2157	2011	1852	1639	-	-	-	-
		BHP	0.30	0.31	0.34	0.36	0.38	0.39	0.40	-	-	-	-
		Sones	14.0	13.4	12.8	12.3	11.9	11.5	11.5	-	-	-	-
1/2	1350	CFM	2719	2609	2502	2390	2266	2122	1973	1770	-	-	-
		BHP	0.38	0.39	0.42	0.44	0.46	0.48	0.49	0.50	-	-	-
		Sones	16.1	15.5	14.8	14.3	13.9	13.4	13.1	13.1	-	-	-
3/4	1450	CFM	2921	2818	2718	2616	2507	2384	2248	2107	1918	-	-
		BHP	0.47	0.48	0.51	0.53	0.56	0.58	0.60	0.61	0.62	-	-
		Sones	18.1	17.5	17.0	16.4	16.0	15.6	15.3	14.9	14.9	-	-
3/4	1550	CFM	3122	3026	2931	2838	2739	2633	2512	2385	2252	1846	-
		BHP	0.57	0.59	0.61	0.64	0.67	0.70	0.72	0.74	0.75	0.75	-
		Sones	20.2	19.6	19.0	18.3	17.8	17.5	17.2	16.8	16.5	16.9	-
1	1650	CFM	3324	3233	3144	3056	2966	2871	2766	2651	2531	2251	1756
		BHP	0.69	0.71	0.73	0.76	0.79	0.82	0.85	0.87	0.89	0.91	0.87
		Sones	22.0	21.4	20.8	20.3	19.7	19.4	19.0	18.7	18.3	17.8	18.6
1	1750	CFM	3525	3440	3355	3273	3189	3102	3009	2908	2797	2568	2247
		BHP	0.83	0.84	0.86	0.89	0.93	0.96	0.99	1.02	1.04	1.07	1.08
		Sones	24.2	23.6	22.9	22.2	21.6	21.1	20.7	20.4	20.1	19.5	19.6

Power Ratings (BHP) does not include drive losses.

Performance certified is for installation type A - free inlet, free outlet.

Performance ratings include the effects of birdscreen in the airstream.

The sound ratings shown are loudness values in fan sones @ 5' (1.5m) in a hemispherical free field calculated per AMCA Standard 301. Values shown are for: Installation Type A: free inlet hemispherical sone levels.



JencoFan, Div. of Soler & Palau Ventilation Group, certifies that the Models SDB shown herein are licensed to bear the AMCA Seal. The ratings shown are based on test and procedures performed in accordance with AMCA Publication 211 and AMCA Publication 311 and comply with the requirement of the AMCA Certified Ratings Program.





SIZE 15

Motor HP	RPM		Static Pressure in Inches w.g.										
			0	0.125	0.25	0.375	0.5	0.625	0.75	0.875	1	1.25	1.5
1/4	500	CFM	1164	843	-	-	-	-	-	-	-	-	-
		BHP	0.02	0.03	-	-	-	-	-	-	-	-	-
		Sones	3.3	2.4	-	-	-	-	-	-	-	-	-
1/4	600	CFM	1396	1146	543	-	-	-	-	-	-	-	-
		BHP	0.04	0.05	0.05	-	-	-	-	-	-	-	-
		Sones	4.6	3.9	2.8	-	-	-	-	-	-	-	-
1/4	700	CFM	1629	1421	1168	-	-	-	-	-	-	-	-
		BHP	0.06	0.08	0.09	-	-	-	-	-	-	-	-
		Sones	6.1	5.5	4.6	-	-	-	-	-	-	-	-
1/4	800	CFM	1862	1685	1478	1206	-	-	-	-	-	-	-
		BHP	0.09	0.11	0.12	0.13	-	-	-	-	-	-	-
		Sones	7.9	7.2	6.6	5.6	-	-	-	-	-	-	-
1/4	900	CFM	2095	1944	1766	1570	1278	-	-	-	-	-	-
		BHP	0.13	0.15	0.17	0.18	0.19	-	-	-	-	-	-
		Sones	9.7	9.0	8.3	7.7	6.7	-	-	-	-	-	-
1/3	1000	CFM	2327	2197	2037	1870	1687	1393	-	-	-	-	-
		BHP	0.18	0.20	0.22	0.24	0.26	0.26	-	-	-	-	-
		Sones	11.1	10.5	10.0	9.5	8.7	7.9	-	-	-	-	-
1/3	1100	CFM	2560	2445	2301	2156	1996	1823	1553	-	-	-	-
		BHP	0.23	0.26	0.28	0.31	0.33	0.35	0.35	-	-	-	-
		Sones	12.7	12.2	11.7	11.2	10.7	9.9	9.1	-	-	-	-
1/2	1200	CFM	2793	2690	2562	2429	2291	2143	1980	1739	-	-	-
		BHP	0.30	0.33	0.36	0.38	0.41	0.43	0.45	0.45	-	-	-
		Sones	14.3	13.9	13.5	13.1	12.6	12.1	11.3	10.5	-	-	-
3/4	1300	CFM	3026	2932	2818	2694	2572	2441	2304	2152	1938	-	-
		BHP	0.39	0.42	0.44	0.47	0.50	0.53	0.55	0.57	0.57	-	-
		Sones	16.3	15.8	15.3	15.0	14.7	14.5	13.9	12.9	12.0	-	-
3/4	1400	CFM	3258	3172	3071	2956	2843	2728	2602	2476	2336	1876	-
		BHP	0.48	0.51	0.55	0.57	0.61	0.64	0.66	0.69	0.71	0.71	-
		Sones	18.6	18.1	17.7	17.3	17.0	16.9	16.7	16.1	14.9	13.2	-
1	1500	CFM	3491	3412	3321	3216	3107	3003	2893	2775	2657	2373	-
		BHP	0.59	0.63	0.66	0.69	0.72	0.76	0.79	0.82	0.84	0.88	-
		Sones	20.9	20.5	20.0	19.6	19.5	19.3	19.2	19.1	18.4	16.1	-
1	1600	CFM	3724	3650	3567	3472	3370	3271	3172	3067	2956	2729	2412
		BHP	0.72	0.76	0.79	0.83	0.86	0.89	0.93	0.96	0.99	1.05	1.07
		Sones	23.3	22.9	22.4	21.9	21.5	21.1	21.0	20.8	20.7	19.0	17.3

Power Ratings (BHP) does not include drive losses.

Performance certified is for installation type A - free inlet, free outlet.

Performance ratings include the effects of birdscreen in the airstream.

The sound ratings shown are loudness values in fan sones @ 5' (1.5m) in a hemispherical free field calculated per AMCA Standard 301. Values shown are for: Installation Type A: free inlet hemispherical sone levels.



JencoFan, Div. of Soler & Palau Ventilation Group, certifies that the Models SDB shown herein are licensed to bear the AMCA Seal. The ratings shown are based on test and procedures performed in accordance with AMCA Publication 211 and AMCA Publication 311 and comply with the requirement of the AMCA Certified Ratings Program.



UL STANDARD 705



SIZE 16

Motor HP	RPM		Static Pressure in Inches w.g.										
			0	0.125	0.25	0.375	0.5	0.625	0.75	0.875	1	1.25	1.5
1/4	550	CFM	1568	1275	-	-	-	-	-	-	-	-	-
		BHP	0.04	0.06	-	-	-	-	-	-	-	-	-
		Sones	4.4	3.5	-	-	-	-	-	-	-	-	-
1/4	650	CFM	1853	1614	1292	-	-	-	-	-	-	-	-
		BHP	0.07	0.08	0.10	-	-	-	-	-	-	-	-
		Sones	6.0	5.1	4.3	-	-	-	-	-	-	-	-
1/4	750	CFM	2139	1936	1702	1356	-	-	-	-	-	-	-
		BHP	0.10	0.12	0.14	0.15	-	-	-	-	-	-	-
		Sones	7.8	7.3	6.2	5.6	-	-	-	-	-	-	-
1/4	850	CFM	2424	2249	2052	1817	1502	-	-	-	-	-	-
		BHP	0.15	0.17	0.20	0.21	0.22	-	-	-	-	-	-
		Sones	9.5	8.9	8.1	7.3	6.9	-	-	-	-	-	-
1/3	950	CFM	2709	2556	2383	2198	1964	1678	-	-	-	-	-
		BHP	0.21	0.23	0.26	0.28	0.30	0.31	-	-	-	-	-
		Sones	11.2	10.7	10.1	9.2	8.6	8.2	-	-	-	-	-
1/2	1050	CFM	2994	2857	2704	2543	2368	2142	1878	-	-	-	-
		BHP	0.28	0.31	0.34	0.37	0.39	0.41	0.41	-	-	-	-
		Sones	12.9	12.5	12.1	11.3	10.5	10.0	9.6	-	-	-	-
3/4	1150	CFM	3279	3156	3019	2874	2724	2557	2345	2095	-	-	-
		BHP	0.37	0.40	0.43	0.46	0.49	0.52	0.53	0.54	-	-	-
		Sones	14.7	14.4	14.0	13.4	12.6	11.9	11.5	11.3	-	-	-
3/4	1250	CFM	3564	3452	3329	3197	3062	2921	2763	2568	2348	-	-
		BHP	0.47	0.51	0.54	0.58	0.61	0.64	0.66	0.68	0.70	-	-
		Sones	16.9	16.5	16.3	16.0	15.1	14.4	13.7	13.5	13.3	-	-
1	1350	CFM	3849	3746	3634	3514	3391	3264	3132	2983	2805	2402	-
		BHP	0.59	0.63	0.67	0.71	0.75	0.78	0.81	0.84	0.86	0.88	-
		Sones	19.4	19.2	18.9	18.6	18.0	17.3	16.5	15.8	15.5	15.1	-
1	1450	CFM	4135	4038	3936	3827	3713	3597	3478	3354	3216	2875	2467
		BHP	0.74	0.78	0.82	0.86	0.90	0.94	0.97	1.01	1.04	1.08	1.08
		Sones	22.2	21.9	21.7	21.5	21.3	20.4	19.6	18.8	18.0	17.5	17.0

Power Ratings (BHP) does not include drive losses.

Performance certified is for installation type A - free inlet, free outlet.

Performance ratings include the effects of birdscreen in the airstream.

The sound ratings shown are loudness values in fan sones @ 5' (1.5m) in a hemispherical free field calculated per AMCA Standard 301. Values shown are for: Installation Type A: free inlet hemispherical sone levels.

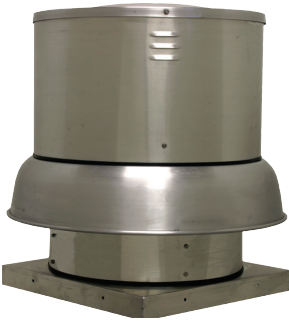


JencoFan, Div. of Soler & Palau Ventilation Group, certifies that the Models SDB shown herein are licensed to bear the AMCA Seal. The ratings shown are based on test and procedures performed in accordance with AMCA Publication 211 and AMCA Publication 311 and comply with the requirement of the AMCA Certified Ratings Program.



MODEL DB

BELT DRIVE CENTRIFUGAL ROOF EXHAUSTER



MODEL FEATURES

- Exhaust air up to 28,000 CFM in high static pressure applications up to 1-1/4" w.g.
- Attractive spun aluminum exterior
- Belt drives permit easy performance adjustments when needed
- Non-overloading backward inclined wheel for efficiency at higher static pressures
- AMCA Air and Sound Licensed
- cULus 705 Listed


APPLICATION CONSTRUCTION OPTIONS

MODEL NAME	TYPICAL APPLICATIONS
DB	Removal of clean air in general applications

MODEL OVERVIEW

Model DB belt drive fans are designed to exhaust air up to 28,000 CFM in high static pressure applications to 1-1/4". The aluminum exterior provides an attractive appearance. Belt drive results in lower operating RPM and sound levels, making the Model DB well suited to applications where quiet operation is important. Belt drive also permits easy performance adjustments when needed to balance the total ventilation system. The non-overloading backward inclined wheel with its higher static pressure capability makes this unit suitable for either ducted or nonducted applications. Its roof mounting permits location near the area to be ventilated, allowing short duct runs and more efficient operation.

DBs are primarily used for the exhaust of relatively clean air from a wide range of commercial, industrial and institutional environments such as manufacturing and assembly plants, office buildings, schools, hospitals, restaurants, athletic facilities and many others

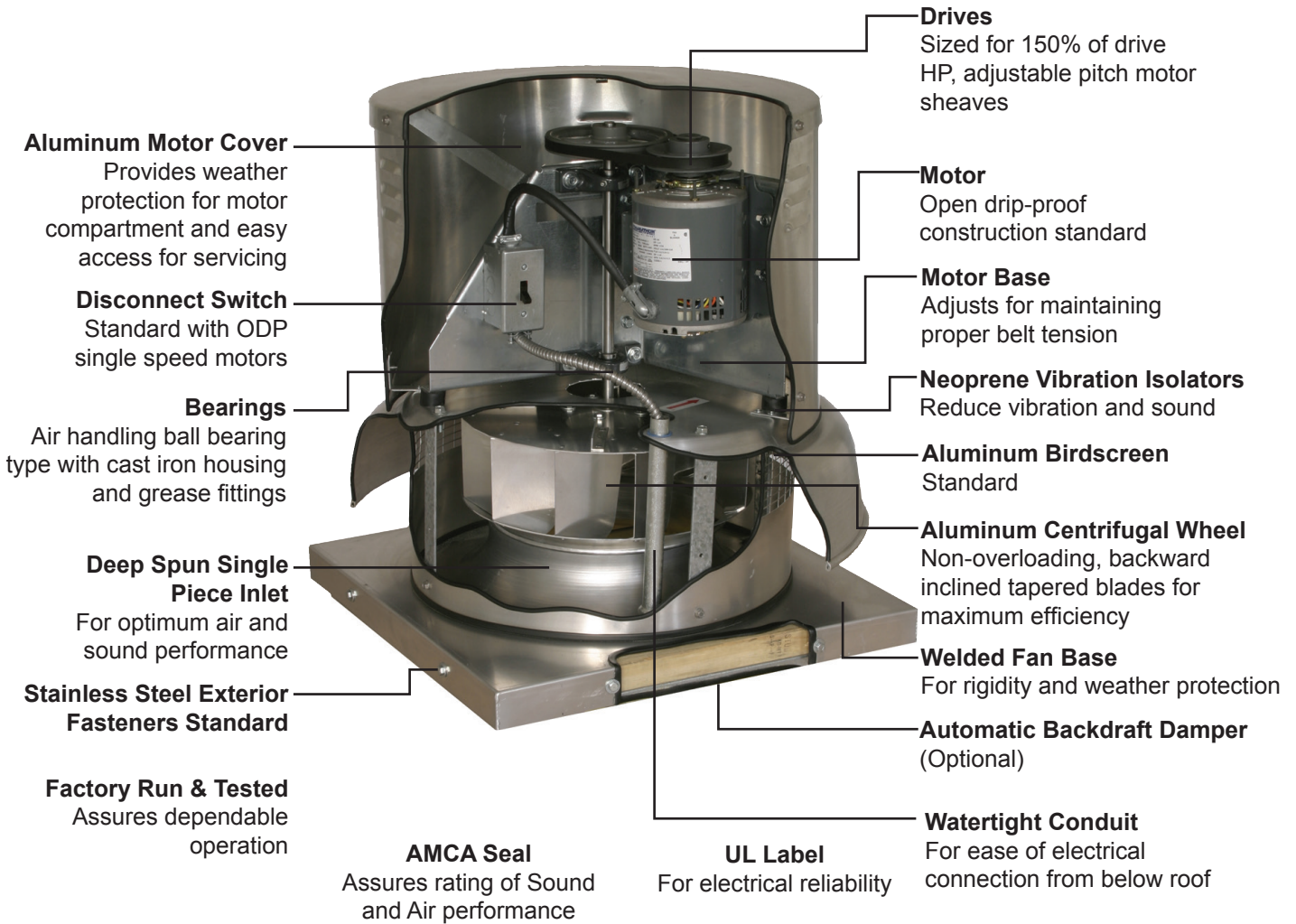


Model DB is available in our Quickship program. Sizes 18-36 are available for next day, 3-day or 10-day shipping from stock.

Industry best 5 year fan housing warranty, 1 year motor warranty



CONSTRUCTION FEATURES AND OPTIONS





CONSTRUCTION/SPECIFICATION CHECKLIST

Housing

- Curb cap with integral deep spun inlet for efficient performance.
- Heavy-gauge aluminum for extra strength.
- Designed for maximum weather protection and attractive appearance.
- Heavy-gauge motor support for rigidity and strength.
- Neoprene isolators for reduction of vibration and sound.
- Quick-Release latches on motor cover for easy access to motor compartment.
- Water tight conduit tube for easy electrical connection from below roof.
- Aluminum birdscreen standard.
- Stainless steel fasteners on exterior.

Centrifugal Wheel

- All aluminum wheel.
- Backward inclined for efficiency at higher static pressure.
- Non-overloading for safe operation in ducted systems.
- Tapered blades for efficiency and quiet operation.
- Heavy aluminum hub for extra strength.
- Statically and dynamically balanced for smooth operation.

Motors

- 1 year warranty.
- Brands are nationally recognized and locally serviced.
- Single speed open drip-proof are standard.
- Explosion-proof, totally enclosed and two-speed motors are available.
- All motors are rated for continuous duty.
- 182T and larger motors shipped unmounted for field installation.
- Disconnect switch standard on single speed drip-proof and totally enclosed motors.

Drives

- Sized for minimum 150% of drive horsepower.
- Machined cast iron adjustable motor pulleys.
- Adjustable base for belt tensioning.
- Non-static oil resistant V-Belts.

Bearings

- Heavy-duty ball bearing type.
- Pre-lubricated and permanently sealed.
- 5 year warranty.

AMCA Seal

- Assures accuracy of Air and Sound Performance.

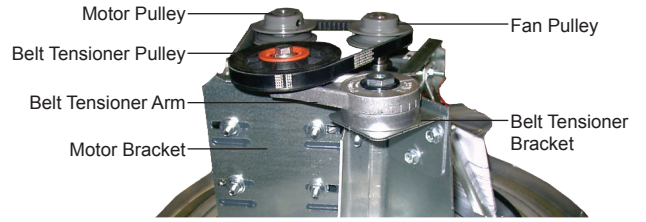
cULus Label

- cULus 705 listing assures electrical safety and reliability.
- cULus 705 must be specified when required.

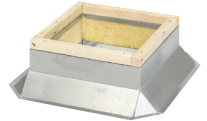


OPTIONS/ACCESSORIES

Automatic Belt Tensioner: Available on sizes 6-24, The Automatic Belt Tensioners eliminate the need for regular manual retensioning of drives, and the risk of inadvertently over-tensioning drive components is avoided and overall drive operating efficiency is enhanced. Benefits include reduction in startup and maintenance costs, increased belt life, increased drive efficiency, and ensure drive components do not snag obstructions.



Roof Curb: Prefabricated heavy-gauge galvanized steel, welded construction, 12" high (other heights are also available) with 1-1/2" wood nailer. Assures perfect fit of exhauster to roof opening. Options include burglar bars, single or double pitch construction and hinged curbs for easy duct access.



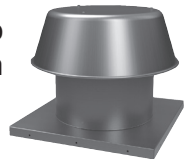
Sound Curb: Option of thermal acoustical lining or a complete maximum sound attenuating baffle system. Provision for mounting damper is available. Contact factory for information regarding effect on exhauster air performance and sound level.

Motor Operated Damper: Motor operated aluminum damper for positive closure against backdraft.



Automatic Damper: Automatic aluminum damper for ease in installation and effective backdraft protection.

Companion Gravity Units: Model RCX-II comes in a wide range of sizes and air capacities to provide relief or intake air to the system. Curbs and dampers are available to fit all sizes. Spun aluminum hoods provide a pleasing appearance, complementing the Model DB exhauster.



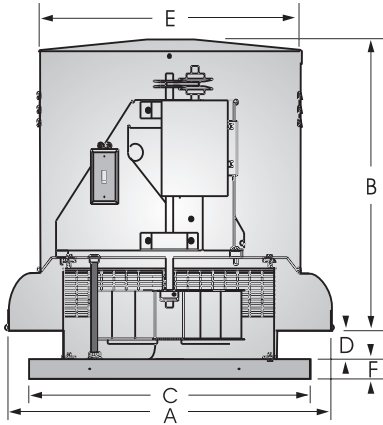
Special Coatings: Powered roof exhausters often require special coatings for protective and decorative purposes. Available coatings include: Synthetic Resin, Epoxy, and Heresite (air-dried phenolic). Contact your representative or the factory for more information on available coatings and colors.

Curb Hinge Arrangement: The curb hinge arrangement provides easy access to the exhaust fan, backdraft damper, and duct for servicing and cleaning.



PERFORMANCE/DIMENSIONS

SIZE 6



Damper OD	Roof Opening	Curb OD	A	B	C	D	E	F	Fan Wt	Ship Wt
11	11-1/2	14-3/4	20 -1/2	17-1/2	16-1/2	3-1/2	16-1/8	1-3/4	43	80

CFM / BHP @ Static Pressure / Sones											Drive Range	RPM	HP	Tip Speed
0	1/8	1/4	3/8	1/2	5/8	3/4	7/8	1	1-1/4	Catalog Number				
230	108	-	-	-	-	-	-	-	-	601	DP1	700	1/4	2058
.01/1.3	.01/0.7	-	-	-	-	-	-	-	-	602		750	1/4	2205
246	140	-	-	-	-	-	-	-	-	603		800	1/4	2352
.02/1.7	.02/1.1	-	-	-	-	-	-	-	-	604		850	1/4	2500
263	166	-	-	-	-	-	-	-	-	605		900	1/4	2647
.02/2.1	.02/1.5	-	-	-	-	-	-	-	-	606		950	1/4	2794
279	190	-	-	-	-	-	-	-	-	607		1000	1/4	2941
.02/2.5	.02/1.9	-	-	-	-	-	-	-	-	608		1050	1/4	3088
295	213	-	-	-	-	-	-	-	-	609		1100	1/4	3235
.03/2.9	.03/2.3	-	-	-	-	-	-	-	-	610		1150	1/4	3382
312	236	122	-	-	-	-	-	-	-	611	DP2	1200	1/4	3529
.03/3.3	.03/2.8	.03/2.2	-	-	-	-	-	-	-	612		1250	1/4	3676
328	257	160	-	-	-	-	-	-	-	613		1300	1/4	3823
.04/3.6	.04/3.1	.04/2.6	-	-	-	-	-	-	-	614		1350	1/4	3970
345	278	192	-	-	-	-	-	-	-	615		1400	1/4	4117
.04/4.0	.04/3.5	.04/3.0	-	-	-	-	-	-	-	616		1450	1/4	4264
361	298	219	-	-	-	-	-	-	-	617		1500	1/4	4411
.05/4.3	.05/3.8	.05/3.4	-	-	-	-	-	-	-	618		1550	1/4	4558
377	318	244	137	-	-	-	-	-	-	619		1600	1/4	4705
.06/4.7	.06/4.2	.06/3.8	.05/3.3	-	-	-	-	-	-	620		1650	1/4	4852
394	337	268	178	-	-	-	-	-	-	621	DP3	1700	1/4	4999
.06/5.2	.06/4.7	.07/4.3	.06/3.8	-	-	-	-	-	-	622		1750	1/4	5146
410	356	291	213	-	-	-	-	-	-	623		1800	1/4	5293
.07/5.6	.07/5.2	.07/4.8	.07/4.3	-	-	-	-	-	-	624		1850	1/4	5440
427	375	314	243	131	-	-	-	-	-	625		1900	1/4	5587
.08/6.1	.08/5.6	.08/5.2	.08/4.8	.07/4.3	-	-	-	-	-	626		1950	1/4	5734
443	394	336	269	178	-	-	-	-	-	627		2000	1/4	5881
.09/6.5	.09/6.1	.09/5.7	.09/5.3	.09/4.8	-	-	-	-	-	628		2050	1/4	6028
459	412	358	295	217	-	-	-	-	-	629		2100	1/4	6175
.10/7.0	.10/6.6	.10/6.2	.10/5.8	.10/5.3	-	-	-	-	-	630		2150	1/4	6322
476	431	379	319	250	143	-	-	-	-	631	DP4	2200	1/4	6469
.11/7.5	.11/7.1	.11/6.7	.11/6.3	.11/5.8	.10/5.4	-	-	-	-	632		2250	1/4	6616
492	449	399	342	279	191	-	-	-	-	633		2300	1/4	6763
.12/8.0	.12/7.6	.13/7.2	.13/6.8	.13/6.4	.12/6.0	-	-	-	-	634		2350	1/4	6910
509	467	420	365	307	231	115	-	-	-	635		2400	1/4	7057
.13/8.5	.14/8.1	.14/7.7	.14/7.3	.14/6.9	.13/6.5	.12/6.1	-	-	-	636		2450	1/4	7204
525	485	439	388	332	266	169	-	-	-	637		2500	1/4	7351
.15/9.0	.15/8.6	.15/8.2	.15/7.9	.15/7.5	.15/7.0	.14/6.6	-	-	-	638		2550	1/4	7498
541	503	459	410	356	297	215	-	-	-	639		2600	1/4	7645
.16/9.6	.17/9.2	.17/8.8	.17/8.4	.17/8.0	.17/7.6	.16/7.2	-	-	-	640		2650	1/4	7792
558	521	478	432	380	325	255	153	-	-	641	DP5	2700	1/4	7939
.18/10.1	.18/9.7	.18/9.4	.18/9.0	.18/8.6	.18/8.2	.18/7.8	.16/7.4	-	-	642		2750	1/4	8086
574	539	497	453	403	352	289	203	-	-	643		2800	1/4	8233
.19/10.7	.20/10.3	.20/9.9	.20/9.6	.20/9.2	.20/8.8	.20/8.4	.19/8.0	-	-	644		2850	1/4	8380

Power Ratings (BHP) does not include drive losses.
 Performance certified is for installation type A - free inlet, free outlet.
 Performance ratings include the effects of birdscreen in the airstream.
 The sound ratings shown are loudness values in fan sones @ 5' (1.5m) in a hemispherical free field calculated per AMCA Standard 301. Values shown are for: Installation Type A: free inlet hemispherical sone levels.



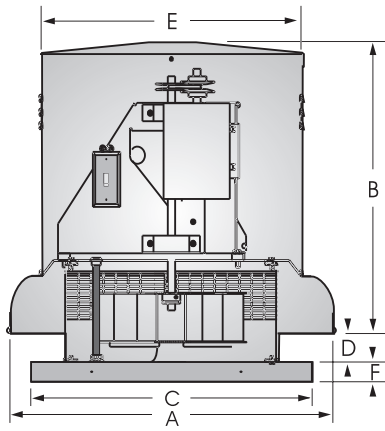
JencoFan, Div. of Soler & Palau Ventilation Group, certifies that the Models DB shown herein are licensed to bear the AMCA Seal. The ratings shown are based on test and procedures performed in accordance with AMCA Publication 211 and AMCA Publication 311 and comply with the requirement of the AMCA Certified Ratings Program.





MODEL DB
BELT DRIVE CENTRIFUGAL ROOF EXHAUSTER

SIZE 8



Damper OD	Roof Opening	Curb OD	A	B	C	D	E	F	Fan Wt	Ship Wt
11	11-1/2	14-3/4	20 -1/2	17-1/2	16-1/2	3-1/2	16-1/8	1-3/4	42	80

CFM / BHP @ Static Pressure / Sones											Drive Range	RPM	HP	Tip Speed
0	1/8	1/4	3/8	1/2	5/8	3/4	7/8	1	1-1/4	Catalog Number				
478	-	-	-	-	-	-	-	-	-	801	DP1	650	1/4	1911
.01/1.9	-	-	-	-	-	-	-	-	-	802		690	1/4	2029
508	252	-	-	-	-	-	-	-	-	803		750	1/4	2205
.01/2.2	.02/1.2	-	-	-	-	-	-	-	-	804		810	1/4	2382
552	338	-	-	-	-	-	-	-	-	805		870	1/4	2558
.02/2.8	.02/1.7	-	-	-	-	-	-	-	-	806		930	1/4	2735
596	408	-	-	-	-	-	-	-	-	807		990	1/4	2911
.02/3.3	.03/2.2	-	-	-	-	-	-	-	-	808		1050	1/4	3088
640	470	-	-	-	-	-	-	-	-	809		1110	1/4	3264
.03/3.8	.03/2.8	-	-	-	-	-	-	-	-	810		1170	1/4	3441
684	528	266	-	-	-	-	-	-	-	811	1230	1/4	3617	
.04/4.4	.04/3.4	.04/2.7	-	-	-	-	-	-	-	812	1290	1/4	3793	
728	586	380	-	-	-	-	-	-	-	813	1350	1/4	3970	
.04/4.9	.05/4.0	.05/3.2	-	-	-	-	-	-	-	814	1410	1/4	4146	
772	643	465	-	-	-	-	-	-	-	815	1470	1/4	4323	
.05/5.4	.06/4.5	.06/3.8	-	-	-	-	-	-	-	816	1530	1/4	4499	
816	696	538	249	-	-	-	-	-	-	817	1590	1/4	4676	
.06/5.9	.07/5.2	.07/4.4	.06/3.8	-	-	-	-	-	-	818	1650	1/4	4852	
861	747	604	391	-	-	-	-	-	-	819	1700	1/4	4999	
.07/6.5	.08/5.8	.08/5.1	.08/4.4	-	-	-	-	-	-	820	1760	1/3	5175	
905	798	664	492	-	-	-	-	-	-	821	1820	1/3	5352	
.08/7.0	.09/6.4	.10/5.8	.09/5.1	-	-	-	-	-	-	822	1870	1/3	5499	
949	847	723	575	312	-	-	-	-	-					
.09/7.6	.10/7.0	.11/6.4	.11/5.8	.10/5.1	-	-	-	-	-					
993	896	781	648	450	-	-	-	-	-					
.11/8.3	.12/7.6	.12/7.1	.13/6.5	.12/5.8	-	-	-	-	-					
1037	945	839	715	553	249	-	-	-	-					
.12/8.9	.13/8.3	.14/7.7	.14/7.2	.14/6.5	.12/6.0	-	-	-	-					
1081	994	895	777	638	420	-	-	-	-					
.14/9.5	.15/9.0	.16/8.4	.16/7.8	.16/7.2	.15/6.7	-	-	-	-					
1125	1041	949	837	714	542	-	-	-	-					
.16/10.3	.17/9.6	.18/9.1	.18/8.6	.18/8.0	.18/7.4	-	-	-	-					
1170	1089	1001	895	783	639	409	-	-	-					
.18/11.0	.19/10.4	.20/9.8	.20/9.3	.21/8.7	.20/8.1	.18/7.5	-	-	-					
1214	1136	1053	953	849	722	545	-	-	-					
.20/11.7	.21/11.1	.22/10.6	.23/10.0	.23/9.5	.23/8.9	.22/8.3	-	-	-					
1250	1176	1095	1002	900	785	634	394	-	-					
.22/12.4	.23/11.8	.24/11.2	.25/10.7	.25/10.2	.25/9.5	.25/8.9	.22/8.4	-	-					
1295	1223	1145	1059	960	856	726	543	-	-					
.24/13.1	.25/12.6	.26/12.0	.27/11.4	.28/10.9	.28/10.4	.28/9.7	.26/9.2	-	-					
1339	1269	1195	1114	1018	922	807	658	429	-					
.27/13.9	.28/13.3	.29/12.8	.30/12.3	.31/11.7	.31/11.2	.31/10.6	.30/10.0	.27/9.5	-					
1375	1308	1236	1159	1066	975	870	739	555	-					
.29/14.5	.30/14.0	.32/13.4	.32/13.0	.33/12.5	.33/12.0	.33/11.3	.33/10.7	.31/10.2	-					

Power Ratings (BHP) does not include drive losses.
 Performance certified is for installation type A - free inlet, free outlet.
 Performance ratings include the effects of birdscreen in the airstream.
 The sound ratings shown are loudness values in fan sones @ 5' (1.5m) in a hemispherical free field calculated per AMCA Standard 301. Values shown are for Installation Type A: free inlet hemispherical sone levels.

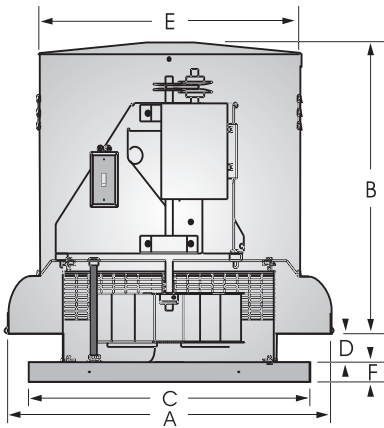


JencoFan, Div. of Soler & Palau Ventilation Group, certifies that the Models DB shown herein are licensed to bear the AMCA Seal. The ratings shown are based on test and procedures performed in accordance with AMCA Publication 211 and AMCA Publication 311 and comply with the requirement of the AMCA Certified Ratings Program.





SIZE 9



Damper OD	Roof Opening	Curb OD	A	B	C	D	E	F	Fan Wt	Ship Wt
11	11-1/2	14-3/4	20 -1/2	17-1/2	16-1/2	3-1/2	16-1/8	1-3/4	44	80

CFM / BHP @ Static Pressure / Sones										Catalog Number	Drive Range	RPM	HP	Tip Speed
0	1/8	1/4	3/8	1/2	5/8	3/4	7/8	1	1-1/4					
694	467	-	-	-	-	-	-	-	-	901	DP6	710	1/4	2277
.04/3.8	.03/2.6	-	-	-	-	-	-	-	-	902		750	1/4	2405
734	525	-	-	-	-	-	-	-	-	903		790	1/4	2534
.04/4.3	.04/3.1	-	-	-	-	-	-	-	-	904		830	1/4	2662
773	580	-	-	-	-	-	-	-	-	905		870	1/4	2790
.05/4.8	.05/3.6	-	-	-	-	-	-	-	-	906		910	1/4	2918
812	633	360	-	-	-	-	-	-	-	907		950	1/4	3047
.06/5.4	.05/4.2	.05/3.5	-	-	-	-	-	-	-	908		990	1/4	3175
851	683	439	-	-	-	-	-	-	-	909		1030	1/4	3303
.06/5.9	.06/4.8	.05/4.0	-	-	-	-	-	-	-	910		1070	1/4	3432
890	733	511	-	-	-	-	-	-	-	911	1110	1/4	3560	
.07/6.5	.07/5.5	.07/4.6	-	-	-	-	-	-	-	912	1150	1/4	3688	
929	781	577	-	-	-	-	-	-	-	913	1190	1/4	3816	
.08/7.0	.08/6.1	.08/5.1	-	-	-	-	-	-	-	914	1230	1/4	3945	
968	828	640	-	-	-	-	-	-	-	915	1270	1/4	4073	
.10/7.6	.09/6.7	.09/5.9	-	-	-	-	-	-	-	916	1310	1/4	4201	
1007	874	699	469	-	-	-	-	-	-	917	1350	1/4	4330	
.11/8.2	.10/7.4	.10/6.5	.09/6.0	-	-	-	-	-	-	918	1390	1/4	4458	
1046	919	756	546	-	-	-	-	-	-	919	1420	1/4	4554	
.12/8.8	.12/8.1	.11/7.3	.10/6.5	-	-	-	-	-	-	920	1470	1/3	4714	
1086	964	811	618	-	-	-	-	-	-	921	1510	1/3	4843	
.13/9.5	.13/8.9	.13/8.0	.12/7.2	-	-	-	-	-	-	922	1550	1/3	4971	
1125	1008	864	685	-	-	-	-	-	-					
.15/10.2	.15/9.6	.14/8.8	.13/8.0	-	-	-	-	-	-					
1164	1052	916	749	543	-	-	-	-	-					
.17/10.9	.16/10.3	.16/9.6	.15/8.8	.14/8.2	-	-	-	-	-					
1203	1096	966	810	621	-	-	-	-	-					
.18/11.6	.18/11.1	.18/10.4	.17/9.7	.16/8.8	-	-	-	-	-					
1242	1139	1015	868	693	-	-	-	-	-					
.20/12.2	.20/11.7	.19/11.1	.19/10.4	.18/9.6	-	-	-	-	-					
1281	1182	1064	925	761	565	-	-	-	-					
.22/12.7	.22/12.2	.21/11.7	.21/11.0	.20/10.2	.18/9.8	-	-	-	-					
1320	1224	1112	980	827	646	-	-	-	-					
.24/13.2	.24/12.8	.23/12.2	.23/11.6	.22/10.8	.20/10.2	-	-	-	-					
1359	1267	1159	1034	889	721	-	-	-	-					
.26/13.8	.26/13.4	.26/12.9	.25/12.2	.24/11.5	.23/10.7	-	-	-	-					
1389	1298	1193	1073	935	775	587	-	-	-					
.28/14.2	.28/13.8	.27/13.3	.27/12.7	.26/11.9	.25/11.2	.22/11.0	-	-	-					
1438	1351	1251	1137	1008	860	690	-	-	-					
.31/14.9	.31/14.5	.30/14.1	.30/13.4	.29/12.8	.28/12.0	.26/11.6	-	-	-					
1477	1393	1296	1188	1065	925	767	-	-	-					
.34/15.5	.33/15.1	.33/14.7	.33/14.0	.32/13.5	.31/12.7	.29/12.1	-	-	-					
1516	1434	1341	1237	1120	988	839	669	-	-					
.37/16.2	.36/15.7	.36/15.3	.35/14.7	.35/14.2	.34/13.5	.32/12.7	.29/12.6	-	-					

Power Ratings (BHP) does not include drive losses.
 Performance certified is for installation type A - free inlet, free outlet.
 Performance ratings include the effects of birdscreen in the airstream.
 The sound ratings shown are loudness values in fan sones @ 5' (1.5m) in a hemispherical free field calculated per AMCA Standard 301. Values shown are for: Installation Type A: free inlet hemispherical sone levels.



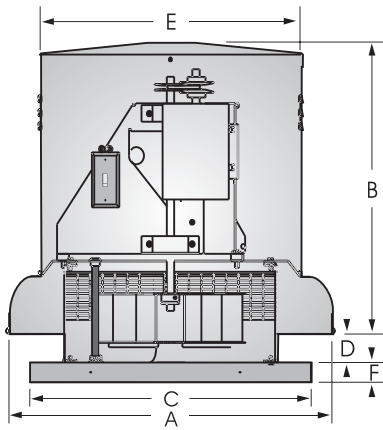
JencoFan, Div. of Soler & Palau Ventilation Group, certifies that the Models DB shown herein are licensed to bear the AMCA Seal. The ratings shown are based on test and procedures performed in accordance with AMCA Publication 211 and AMCA Publication 311 and comply with the requirement of the AMCA Certified Ratings Program.





MODEL DB
BELT DRIVE CENTRIFUGAL ROOF EXHAUSTER

SIZE 11



Damper OD	Roof Opening	Curb OD	A	B	C	D	E	F	Fan Wt	Ship Wt
18	19-1/2	22-1/4	28-3/8	23	24	3-1/2	22-1/2	2	64	130

CFM / BHP @ Static Pressure / Sones											Drive Range	RPM	HP	Tip Speed
0	1/8	1/4	3/8	1/2	5/8	3/4	7/8	1	1-1/4	Catalog Number				
771 .02/3.8	508 .03/2.8	-	-	-	-	-	-	-	-	1101	DP11	670	1/4	2275
846 .03/4.6	613 .03/3.7	-	-	-	-	-	-	-	-	1102		735	1/4	2489
921 .04/5.5	711 .04/4.7	436 .04/4.0	-	-	-	-	-	-	-	1103		800	1/4	2703
996 .05/6.4	804 .05/5.8	571 .06/4.8	-	-	-	-	-	-	-	1104		865	1/4	2918
1070 .06/7.4	894 .07/6.8	688 .07/6.0	405 .06/5.7	-	-	-	-	-	-	1105		930	1/4	3132
1145 .07/8.4	982 .08/7.8	796 .08/7.1	568 .08/6.6	-	-	-	-	-	-	1106		995	1/4	3346
1214 .08/9.4	1062 .09/8.8	890 .1/8.2	691 .1/7.5	406 .09/7.5	-	-	-	-	-	1107		1055	1/4	3561
1289 .1/10.6	1146 .11/10	988 .12/9.5	810 .12/8.7	590 .12/8.5	-	-	-	-	-	1108		1120	1/4	3775
1364 .12/11.8	1230 .13/11.3	1083 .14/10.8	921 .14/10.1	732 .14/9.5	473 .13/9.5	-	-	-	-	1109		1185	1/4	3989
1450 .14/13.1	1325 .15/12.6	1188 .16/12.2	1041 .17/11.4	876 .17/10.8	678 .17/10.6	348 .13/10.6	-	-	-	1110		1260	1/4	4203
1508 .16/13.8	1388 .17/13.3	1258 .18/12.9	1118 .19/12.3	965 .19/11.7	788 .19/11.3	557 .18/11.3	-	-	-	1111	1310	1/4	4418	
1571 .18/14.7	1456 .19/14.3	1332 .2/13.8	1200 .21/13.3	1058 .22/12.6	898 .22/12	707 .21/12	402 .17/12	-	-	1112	1365	1/4	4632	
1623 .2/15.5	1512 .21/15	1393 .22/14.6	1266 .23/14	1131 .24/13.4	982 .24/12.8	810 .24/12.6	586 .22/12.6	-	-	1113	1410	1/4	4846	
1698 .23/16.6	1592 .24/16.2	1479 .25/15.7	1360 .26/15.3	1233 .27/14.6	1096 .28/14	944 .28/13.5	765 .27/13.5	508 .23/13.5	-	1114	1475	1/4	5061	
1755 .25/17.6	1654 .26/17.1	1545 .28/16.7	1430 .29/16.3	1310 .30/15.7	1181 .31/15	1040 .31/14.5	880 .3/14.3	680 .28/14.3	-	1115	1525	1/3	5225	
1824 .28/18.8	1727 .30/18.3	1623 .31/17.9	1513 .32/17.5	1399 .33/17	1278 .34/16.3	1148 .34/15.8	1004 .34/15.4	837 .33/15.4	-	1116	1585	1/3	5390	
1870 .30/19.7	1776 .32/19.2	1674 .33/18.8	1568 .35/18.3	1458 .36/17.9	1341 .37/17.2	1217 .37/16.7	1081 .37/16.2	929 .36/16.1	437 .28/16.1	1117	1625	1/3	5555	
1939 .34/21	1849 .35/21	1751 .37/20	1650 .38/19.6	1544 .4/19.2	1434 .41/18.6	1317 .41/18	1192 .41/17.5	1054 .41/17.3	699 .37/17.3	1118	1685	1/2	5720	
1980 .36/22	1891 .38/21	1795 .39/21	1697 .41/20	1594 .42/20	1487 .43/19.4	1374 .44/18.8	1254 .44/18.3	1123 .44/18	803 .41/18	1119	1720	1/2	5885	
2095 .43/24	2012 .44/24	1922 .46/23	1829 .48/23	1734 .49/22	1634 .50/22	1531 .51/21	1423 .52/21	1307 .52/20	1045 .51/20	1120	1820	1/2	6050	
2129 .45/25	2048 .46/24	1959 .48/24	1869 .50/24	1775 .51/23	1678 .53/23	1577 .54/22	1471 .54/22	1360 .55/21	1109 .54/21	1121	1850	1/2	6214	

Power Ratings (BHP) does not include drive losses.
 Performance certified is for installation type A - free inlet, free outlet.
 Performance ratings include the effects of birdscreen in the airstream.
 The sound ratings shown are loudness values in fan sones @ 5' (1.5m) in a hemispherical free field calculated per AMCA Standard 301. Values shown are for: Installation Type A: free inlet hemispherical sone levels.



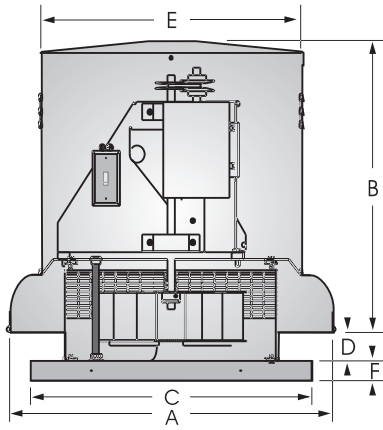
JencoFan, Div. of Soler & Palau Ventilation Group, certifies that the Models DB shown herein are licensed to bear the AMCA Seal. The ratings shown are based on test and procedures performed in accordance with AMCA Publication 211 and AMCA Publication 311 and comply with the requirement of the AMCA Certified Ratings Program.





MODEL DB
BELT DRIVE CENTRIFUGAL ROOF EXHAUSTER

SIZE 12



Damper OD	Roof Opening	Curb OD	A	B	C	D	E	F	Fan Wt	Ship Wt
18	19-1/2	22-1/4	28-3/8	23	24	3-1/2	22-1/2	2	65	130

CFM / BHP @ Static Pressure / Sones											Drive Range	RPM	HP	Tip Speed		
0	1/8	1/4	3/8	1/2	5/8	3/4	7/8	1	1-1/4	Catalog Number						
959	692	-	-	-	-	-	-	-	-	1201	DP15	640	1/4	2371		
.03/3.7	.03/3.0	-	-	-	-	-	-	-	-	1202		690	1/4	2556		
1109	889	576	-	-	-	-	-	-	-	1203		740	1/4	2742		
.04/5.0	.05/4.5	.05/3.5	-	-	-	-	-	-	-	1204		790	1/4	2927		
1184	982	719	-	-	-	-	-	-	-	1205		840	1/4	3112		
.05/5.7	.06/5.2	.06/4.2	-	-	-	-	-	-	-	1206		890	1/4	3297		
1259	1072	839	467	-	-	-	-	-	-	1207		940	1/4	3483		
.06/6.4	.07/5.9	.08/5.1	.07/4.2	-	-	-	-	-	-	1208		990	1/4	3668		
1334	1159	947	653	-	-	-	-	-	-	1209		1040	1/4	3853		
.07/7.0	.08/6.6	.09/6.0	.09/4.9	-	-	-	-	-	-	1210		1090	1/4	4038		
1409	1244	1049	805	390	-	-	-	-	-	1211	DP16	1140	1/4	4224		
.08/7.6	.09/7.2	.10/6.8	.11/5.8	.08/4.9	-	-	-	-	-	1212		1190	1/4	4409		
1484	1329	1148	937	621	-	-	-	-	-	1213		1240	1/4	4594		
.10/8.3	.11/7.9	.12/7.5	.13/6.6	.12/5.7	-	-	-	-	-	1214		1280	1/4	4742		
1559	1412	1244	1052	794	369	-	-	-	-	1215		DP17	1320	1/3	4891	
.11/9.0	.13/8.6	.14/8.3	.14/7.5	.14/6.6	.11/5.8	-	-	-	-	1216			1360	1/3	5039	
1634	1494	1339	1160	943	627	-	-	-	-	1217			1390	1/3	5150	
.13/9.7	.14/9.3	.16/9.0	.16/8.5	.17/7.5	.15/6.6	-	-	-	-	1218			1440	1/2	5335	
1709	1576	1430	1262	1075	813	409	-	-	-	1219			DP18	1480	1/2	5483
.15/10.4	.16/10.1	.18/9.8	.19/9.5	.19/8.4	.18/7.5	.14/6.7	-	-	-	1220				1520	1/2	5632
1784	1657	1519	1362	1191	971	669	-	-	-	1221	1560			1/2	5780	
.17/11.2	.18/10.9	.20/10.6	.21/10.3	.22/9.4	.22/8.4	.19/7.6	-	-	-	1222	1600			1/2	5928	
1859	1737	1607	1459	1300	1113	495	861	669	999	709	DP19			1480	1/2	5483
.19/12.0	.21/11.7	.22/11.4	.24/11.1	.24/10.5	.25/9.4	.24/8.5	.19/7.8	-	-	1213				1240	1/4	4594
1919	1801	1676	1536	1383	1215	992	699	-	-	1214		1280		1/4	4742	
.21/12.7	.23/12.3	.24/12.1	.26/11.8	.27/11.4	.27/10.3	.27/9.3	.24/8.5	-	-	1215		1320		1/3	4891	
1979	1865	1744	1611	1465	1308	1112	861	495	709	289.3		1360		1/3	5039	
.23/13.2	.25/13.1	.26/12.7	.28/12.5	.29/12.2	.30/11.2	.30/10.2	.28/9.3	.22/8.6	-	1216		1390		1/3	5150	
2039	1929	1812	1686	1545	1397	1223	999	709	289.3	-		1440	1/2	5335		
.25/13.9	.27/13.6	.29/13.5	.30/13.1	.32/12.9	.32/12.1	.33/11.0	.31/10.1	.28/9.3	-	1217		1480	1/2	5483		
2084	1976	1862	1740	1603	1461	1301	1094	839	-	1218		1520	1/2	5632		
.27/14.4	.29/14.1	.30/13.9	.32/13.7	.33/13.4	.34/12.8	.35/11.7	.34/10.8	.32/9.9	-	1219		1560	1/2	5780		
2159	2055	1946	1830	1701	1565	1419	1242	1022	-	1220	1600	1/2	5928			
.30/15.2	.32/15.0	.34/14.8	.35/14.5	.37/14.4	.38/14.0	.38/12.9	.38/11.9	.37/11.1	-	1221	1480	1/2	5483			
2219	2118	2012	1900	1777	1646	1509	1350	1151	579	32/10.3	1520	1/2	5632			
.33/15.9	.35/15.7	.36/15.5	.38/15.3	.40/15.1	.41/15.0	.42/13.9	.42/12.9	.41/12.0	1272	791	1560	1/2	5780			
2279	2181	2078	1970	1853	1726	1595	1451	1272	791	39/11.3	1600	1/2	5928			
.35/16.7	.37/16.4	.39/16.2	.41/16.0	.43/15.8	.44/15.7	.45/14.8	.45/13.9	.45/13.0	961	1221	1560	1/2	5780			
2339	2243	2144	2039	1927	1804	1679	1544	1385	961	49/13.8	1600	1/2	5928			
.38/17.4	.40/17.2	.42/17.0	.44/16.8	.46/16.6	.47/16.4	.48/15.9	.49/14.8	.49/13.8	1109	1222	1600	1/2	5928			
2399	2306	2209	2108	2001	1882	1760	1633	1489	1109	50/13.1	1600	1/2	5928			
.41/18.1	.43/17.9	.45/17.8	.47/17.6	.49/17.4	.51/17.2	.52/16.9	.52/15.9	.53/14.8	1109	1222	1600	1/2	5928			

Power Ratings (BHP) does not include drive losses.
 Performance certified is for installation type A - free inlet, free outlet.
 Performance ratings include the effects of birdscreen in the airstream.
 The sound ratings shown are loudness values in fan sones @ 5' (1.5m) in a hemispherical free field calculated per AMCA Standard 301. Values shown are for: Installation Type A: free inlet hemispherical sone levels.



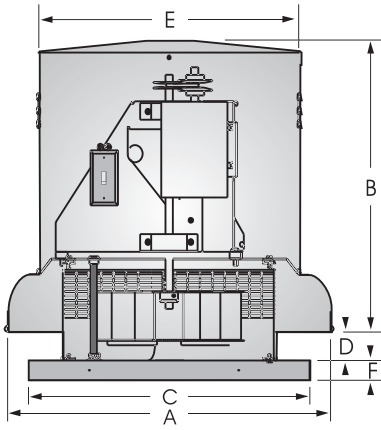
JencoFan, Div. of Soler & Palau Ventilation Group, certifies that the Models DB shown herein are licensed to bear the AMCA Seal. The ratings shown are based on test and procedures performed in accordance with AMCA Publication 211 and AMCA Publication 311 and comply with the requirement of the AMCA Certified Ratings Program.





MODEL DB
BELT DRIVE CENTRIFUGAL ROOF EXHAUSTER

SIZE 14



Damper OD	Roof Opening	Curb OD	A	B	C	D	E	F	Fan Wt	Ship Wt
18	19-1/2	22-1/4	28-3/8	23	24	3-1/2	22-1/2	2	71	140

CFM / BHP @ Static Pressure / Sones											Drive Range	RPM	HP	Tip Speed	
0	1/8	1/4	3/8	1/2	5/8	3/4	7/8	1	1-1/4	Catalog Number					
996	514	-	-	-	-	-	-	-	-	1401	DP20	435	1/4	1732	
.02/2.3	.02/1.2	-	-	-	-	-	-	-	-	1402		475	1/4	1891	
1088	710	-	-	-	-	-	-	-	-	1403		525	1/4	2090	
.03/2.9	.03/1.9	-	-	-	-	-	-	-	-	1404		575	1/4	2289	
1203	901	-	-	-	-	-	-	-	-	1405		DP21	625	1/4	2488
.04/3.6	.04/2.7	-	-	-	-	-	-	-	-	1406			675	1/4	2687
1317	1060	-	-	-	-	-	-	-	-	1407		DP22	725	1/4	2886
.05/4.3	.05/3.6	-	-	-	-	-	-	-	-	1408			775	1/4	3085
1432	1206	791	-	-	-	-	-	-	-	1409		DP23	825	1/4	3284
.06/5.0	.07/4.5	.06/3.4	-	-	-	-	-	-	-	1410			875	1/4	3483
1546	1343	1018	-	-	-	-	-	-	-	1411	DP24	925	1/4	3682	
.08/5.9	.08/5.4	.08/4.3	-	-	-	-	-	-	-	1412		975	1/4	3881	
1661	1475	1213	-	-	-	-	-	-	-	1413	DP25	1025	1/3	4080	
.10/6.7	.10/6.2	.10/5.3	-	-	-	-	-	-	-	1414		1075	1/3	4279	
1775	1604	1381	1017	-	-	-	-	-	-	1415	DP25	1125	1/2	4478	
.12/7.4	.13/7.0	.13/6.3	.11/5.3	-	-	-	-	-	-	1416		1175	1/2	4677	
1890	1731	1535	1240	-	-	-	-	-	-	1417	DP25	1225	1/2	4876	
.15/8.2	.15/7.8	.15/7.3	.14/6.3	-	-	-	-	-	-	1418		1260	3/4	5016	
2004	1857	1680	1439	1065	-	-	-	-	-	1419	DP25	1300	3/4	5175	
.18/9.0	.18/8.6	.18/8.2	.18/7.2	.16/6.4	-	-	-	-	-	1420		1350	3/4	5374	
2119	1981	1819	1613	1311	-	-	-	-	-	1421	DP25	1375	3/4	5473	
.21/9.9	.21/9.5	.22/9.1	.21/8.3	.20/7.4	-	-	-	-	-	1422		1400	3/4	5573	
2233	2103	1953	1773	1525	1168	-	-	-	-	1422					
.24/10.9	.25/10.4	.25/10.0	.25/9.4	.24/8.5	.22/7.7	-	-	-	-						
2348	2225	2085	1923	1714	1425	-	-	-	-						
.28/11.8	.29/11.4	.29/11.0	.29/10.5	.29/9.6	.27/8.8	-	-	-	-						
2462	2346	2215	2067	1885	1642	1328	-	-	-						
.33/12.8	.33/12.4	.34/12.0	.34/11.7	.34/10.7	.32/9.9	.29/9.1	-	-	-						
2577	2466	2343	2206	2044	1840	1571	-	-	-						
.37/13.7	.38/13.4	.39/13.1	.39/12.6	.39/12.0	.38/11.1	.36/10.3	-	-	-						
2692	2586	2470	2341	2195	2018	1788	1510	-	-						
.42/14.8	.43/14.5	.44/14.1	.44/13.7	.44/13.2	.44/12.3	.42/11.5	.39/10.8	-	-						
2806	2705	2595	2474	2340	2183	1988	1740	1408	-						
.48/15.9	.49/15.5	.50/15.2	.50/14.8	.50/14.4	.50/13.6	.49/12.8	.46/12.0	.42/11.3	-						
2886	2788	2682	2566	2439	2292	2116	1893	1633	-						
.52/16.7	.53/16.3	.54/15.9	.55/15.6	.55/15.2	.54/14.5	.54/13.7	.52/12.9	.48/12.2	-						
2978	2883	2781	2670	2550	2414	2254	2058	1818	-						
.57/17.6	.58/17.2	.59/16.8	.60/16.5	.60/16.1	.60/15.5	.59/14.7	.58/13.9	.55/13.3	-						
3092	3001	2904	2799	2685	2560	2417	2247	2036	-						
.64/18.7	.65/18.3	.66/18.0	.67/17.6	.67/17.3	.67/16.9	.67/16.0	.66/15.3	.64/14.5	-						
3150	3060	2965	2862	2752	2632	2495	2335	2141	1621	1421					
.68/19.3	.69/19.0	.70/18.6	.71/18.2	.71/17.8	.71/17.5	.71/16.7	.70/16.0	.68/15.2	.60/13.9						
3207	3119	3026	2926	2819	2703	2572	2420	2240	1782	1422					
.72/19.9	.73/19.6	.74/19.2	.74/18.8	.75/18.5	.75/18.1	.75/17.4	.74/16.6	.72/15.9	.66/14.5						

Power Ratings (BHP) does not include drive losses.
 Performance certified is for installation type A - free inlet, free outlet.
 Performance ratings include the effects of birdscreen in the airstream.
 The sound ratings shown are loudness values in fan sones @ 5' (1.5m) in a hemispherical free field calculated per AMCA Standard 301. Values shown are for: Installation Type A: free inlet hemispherical sone levels.

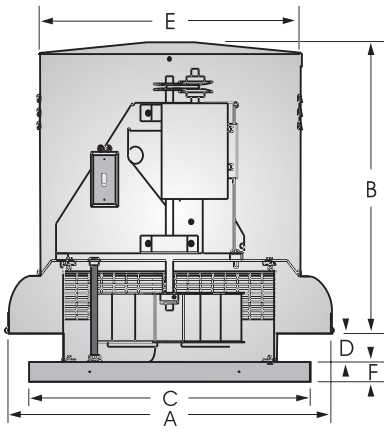


JenCoFan, Div. of Soler & Palau Ventilation Group, certifies that the Models DB shown herein are licensed to bear the AMCA Seal. The ratings shown are based on test and procedures performed in accordance with AMCA Publication 211 and AMCA Publication 311 and comply with the requirement of the AMCA Certified Ratings Program.





SIZE 16



Dimensional Data										
Damper OD	Roof Opening	Curb OD	A	B	C	D	E	F	Fan Wt	Ship Wt
18	19-1/2	22-1/4	32-1/4	24	24	6	26-1/4	2-1/2	79	145

CFM / BHP @ Static Pressure / Sones											Drive Range	RPM	HP	Tip Speed	
0	1/8	1/4	3/8	1/2	5/8	3/4	7/8	1	1-1/4	Catalog Number					
.04/2.9	.04/1.8	-	-	-	-	-	-	-	-	1601	DP26	425	1/4	2030	
.05/3.6	.05/2.6	-	-	-	-	-	-	-	-	1602		465	1/4	2221	
.06/4.3	.07/3.3	-	-	-	-	-	-	-	-	1603		505	1/4	2413	
.07/5.0	.08/4.1	-	-	-	-	-	-	-	-	1604		545	1/4	2604	
.09/5.8	.10/4.9	.10/4.0	-	-	-	-	-	-	-	1605		585	1/4	2795	
.11/6.5	.12/5.7	.12/4.8	-	-	-	-	-	-	-	1606		625	1/4	2986	
.13/7.2	.15/6.4	.15/5.6	-	-	-	-	-	-	-	1607		665	1/4	3177	
.16/8.0	.17/7.2	.18/6.4	.17/6.2	-	-	-	-	-	-	1608		705	1/4	3368	
.19/8.7	.20/7.9	.21/7.2	.21/6.5	-	-	-	-	-	-	1609		745	1/4	3559	
.22/9.5	.24/8.7	.25/8.0	.25/7.4	.20/7.2	-	-	-	-	-	1610		785	1/4	3750	
.23/9.8	.25/9.0	.26/8.3	.26/7.7	.23/7.5	-	-	-	-	-	1611	DP29	800	1/4	3822	
.26/10.3	.27/9.5	.29/8.8	.29/8.2	.27/7.7	-	-	-	-	-	1612		825	1/3	3941	
.28/10.7	.29/10.0	.31/9.2	.31/8.6	.30/8.1	-	-	-	-	-	1613		845	1/3	4037	
.30/11.2	.32/10.4	.33/9.8	.34/9.1	.34/8.6	.25/8.5	-	-	-	-	1614		870	1/3	4156	
.33/11.9	.35/11.1	.37/10.4	.38/9.8	.37/9.3	.33/9.1	-	-	-	-	1615		900	1/2	4300	
.37/12.5	.39/11.8	.40/11.1	.42/10.5	.42/9.9	.40/9.6	-	-	-	-	1616		930	1/2	4430	
.40/13.2	.43/12.5	.44/11.8	.46/11.1	.46/10.7	.45/10.2	.36/9.9	-	-	-	1617		960	1/2	4586	
.46/14.0	.48/13.4	.50/12.7	.51/12.1	.52/11.5	.51/11.2	.48/11.0	-	-	-	1618		DP31	1000	1/2	4778
.54/15.5	.57/14.8	.59/14.1	.60/13.6	.62/13.1	.62/12.6	.60/13.0	.54/12.8	-	-	1619			1060	3/4	5064
.59/16.2	.62/15.6	.64/15.0	.65/14.3	.67/13.8	.67/13.4	.66/13.6	.63/14.4	.45/14.2	-	1620			1090	3/4	5207
.64/17.0	.67/16.4	.69/15.8	.71/15.2	.72/14.6	.73/14.2	.72/14.3	.70/15.1	.60/14.9	-	1621	1120		3/4	5351	
.70/17.9	.73/17.3	.75/16.7	.77/16.2	.79/15.7	.79/15.1	.79/15.0	.78/15.9	.73/15.9	-	1622	1155		3/4	5518	

Power Ratings (BHP) does not include drive losses.
 Performance certified is for installation type A - free inlet, free outlet.
 Performance ratings include the effects of birdscreen in the airstream.
 The sound ratings shown are loudness values in fan sones @ 5' (1.5m) in a hemispherical free field calculated per AMCA Standard 301. Values shown are for: Installation Type A: free inlet hemispherical sone levels.



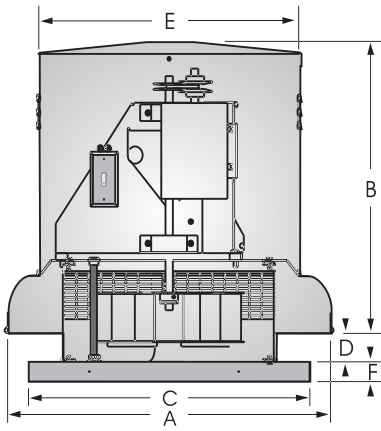
JenCoFan, Div. of Soler & Palau Ventilation Group, certifies that the Models DB shown herein are licensed to bear the AMCA Seal. The ratings shown are based on test and procedures performed in accordance with AMCA Publication 211 and AMCA Publication 311 and comply with the requirement of the AMCA Certified Ratings Program.





MODEL DB
BELT DRIVE CENTRIFUGAL ROOF EXHAUSTER

SIZE 18



Dimensional Data										
Damper OD	Roof Opening	Curb OD	A	B	C	D	E	F	Fan Wt	Ship Wt
24	24-3/4	27-3/4	32-1/4	24	29-1/2	4-1/2	26-1/4	2-1/2	96	160

CFM / BHP @ Static Pressure / Sones											Drive Range	RPM	HP	Tip Speed
0	1/8	1/4	3/8	1/2	5/8	3/4	7/8	1	1-1/4	Catalog Number				
2031	1663	1054	-	-	-	-	-	-	-	1801	DP32	535	1/4	2556
.09/6.4	.10/5.4	.08/5.6	-	-	-	-	-	-	-	1802		580	1/4	2771
2372	2077	1679	-	-	-	-	-	-	-	1803		625	1/4	2986
.15/8.3	.15/7.4	.15/6.5	-	-	-	-	-	-	-	1804		670	1/4	3201
2543	2274	1924	1431	-	-	-	-	-	-	1805		715	1/4	3416
.18/9.4	.19/8.5	.19/7.6	.17/7.8	-	-	-	-	-	-	1806		760	1/3	3631
2714	2465	2151	1740	-	-	-	-	-	-	1807		805	1/3	3846
.22/10.5	.23/9.6	.23/8.7	.22/9.0	-	-	-	-	-	-	1808		850	1/2	4061
2885	2653	2369	2024	1531	-	-	-	-	-	1809		895	1/2	4276
.26/11.5	.27/10.6	.27/9.8	.27/9.0	.24/8.8	-	-	-	-	-	1810		940	1/2	4491
3056	2838	2579	2274	1873	-	-	-	-	-	1811	DP34	985	3/4	4706
.31/12.5	.32/11.6	.33/10.8	.32/10.0	.30/9.8	-	-	-	-	-	1812		1030	3/4	4921
3226	3022	2785	2507	2168	1715	-	-	-	-	1813	DP35	1075	3/4	5136
.37/13.4	.38/12.7	.38/11.8	.38/11.1	.37/11.0	.34/10.8	-	-	-	-	1814		1120	1	5351
3397	3204	2986	2729	2437	2061	-	-	-	-	1815	DP36	1165	1	5566
.43/14.3	.44/13.6	.45/13.0	.45/12.3	.44/11.5	.42/11.3	-	-	-	-	1816		1210	1-1/2	5781
3568	3385	3183	2944	2681	2358	1965	-	-	-	1817	DP37	1255	1-1/2	5996
.50/15.5	.51/14.7	.52/14.0	.52/13.4	.51/12.9	.50/12.8	.46/12.6	-	-	-	1818		1300	1-1/2	6211
3739	3564	3375	3155	2912	2635	2288	1676	-	-	1819	1345	1-1/2	6426	
.58/16.7	.59/16.0	.60/15.3	.60/14.6	.59/14.0	.58/13.5	.56/13.3	.47/13.1	-	-	1820	1390	2	6641	
3910	3743	3565	3361	3135	2886	2585	2235	-	-	1821	1435	2	6856	
.66/17.9	.67/17.2	.68/16.6	.68/15.9	.68/15.3	.67/14.7	.65/14.4	.62/14.1	-	-	1822	1480	2	7071	
4080	3922	3752	3563	3351	3123	2863	2544	2167	-	1823				
.75/19.1	.76/18.5	.77/17.8	.78/17.2	.77/16.6	.77/16.0	.76/15.5	.73/15.3	.68/15.1	-	1824				
4251	4099	3938	3762	3562	3350	3117	2840	2524	-	1825				
.85/21	.86/19.8	.87/19.1	.88/18.6	.88/18.0	.87/17.4	.86/16.9	.84/16.5	.81/16.1	-	1826				
4422	4276	4123	3957	3770	3570	3356	3115	2824	-	1827				
.95/22	.97/21	.98/21	.99/19.9	.99/19.3	.98/18.8	.98/18.2	.96/17.7	.93/17.3	-	1828				
4593	4452	4306	4149	3975	3784	3585	3368	3116	2508	1829				
1.07/23	1.08/23	1.10/22	1.10/21	1.11/21	1.10/20	1.10/19.6	1.09/19.1	1.07/18.7	.99/18.5	1830				
4764	4628	4488	4339	4176	3995	3808	3607	3386	2841	1831				
1.19/25	1.21/24	1.22/23	1.23/23	1.23/22	1.23/22	1.23/21	1.22/21	1.21/20	1.14/19.7	1832				
4935	4804	4669	4527	4373	4204	4025	3837	3635	3140	1833				
1.32/26	1.34/25	1.36/25	1.37/24	1.37/24	1.37/23	1.37/23	1.36/22	1.35/22	1.29/21	1834				
5105	4979	4849	4713	4569	4408	4237	4061	3873	3434	1835				
1.47/28	1.48/27	1.50/26	1.51/26	1.52/25	1.52/25	1.52/24	1.51/24	1.50/23	1.46/22	1836				
5276	5154	5029	4898	4761	4610	4447	4279	4104	3709	1837				
1.62/29	1.64/29	1.65/28	1.67/27	1.67/27	1.68/26	1.68/26	1.67/25	1.67/25	1.63/24	1838				
5447	5329	5208	5082	4951	4809	4655	4493	4327	3964	1839				
1.78/31	1.80/30	1.82/30	1.83/29	1.84/28	1.84/28	1.85/27	1.84/27	1.84/26	1.81/25	1840				
5618	5504	5386	5265	5139	5005	4859	4704	4546	4206	1841				
1.95/32	1.97/32	1.99/31	2.01/31	2.02/30	2.02/29	2.02/29	2.02/28	2.02/28	2.00/27	1842				

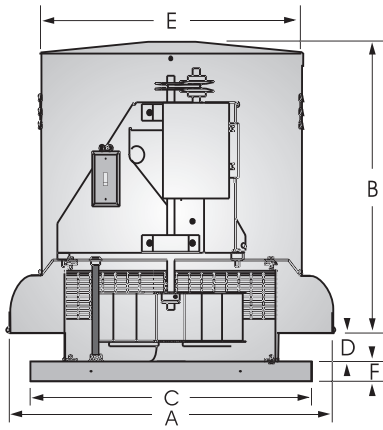
Power Ratings (BHP) does not include drive losses.
 Performance certified is for installation type A - free inlet, free outlet.
 Performance ratings include the effects of birdscreen in the airstream.
 The sound ratings shown are loudness values in fan sones @ 5' (1.5m) in a hemispherical free field calculated per AMCA Standard 301. Values shown are for: Installation Type A: free inlet hemispherical sone levels.

JencoFan, Div. of Soler & Palau Ventilation Group, certifies that the Models DB shown herein are licensed to bear the AMCA Seal. The ratings shown are based on test and procedures performed in accordance with AMCA Publication 211 and AMCA Publication 311 and comply with the requirement of the AMCA Certified Ratings Program.

UL STANDARD 705



SIZE 20



Dimensional Data										
Damper OD	Roof Opening	Curb OD	A	B	C	D	E	F	Fan Wt	Ship Wt
24	24-3/4	27-3/4	36-3/4	24-1/2	29-1/2	4-1/2	26-1/4	2-1/2	98	215

CFM / BHP @ Static Pressure / Sones											Drive Range	RPM	HP	Tip Speed	
0	1/8	1/4	3/8	1/2	5/8	3/4	7/8	1	1-1/4	Catalog Number					
2357 .09/5.4	1936 .10/3.9	1151 .09/3.7	-	-	-	-	-	-	-	2001	DP40	DP38	440	1/4	2460
2571 .12/6.2	2200 .13/4.8	1617 .12/4.6	-	-	-	-	-	-	-	2002			480	1/4	2683
2785 .15/7.0	2455 .16/5.8	1982 .16/5.1	1098 .13/4.7	-	-	-	-	-	-	2003	DP41	DP39	520	1/4	2907
3000 .19/7.9	2701 .20/7.0	2302 .21/6.2	1681 .19/5.9	-	-	-	-	-	-	2004			560	1/4	3130
3214 .23/9.1	2939 .25/8.2	2586 .25/7.3	2098 .25/6.9	1259 .20/6.0	-	-	-	-	-	2005	DP42	DP40	600	1/4	3354
3401 .28/9.7	3144 .29/8.8	2822 .30/8.2	2412 .30/7.5	1799 .27/7.2	-	-	-	-	-	2006			635	1/3	3550
3562 .32/10.2	3318 .33/9.4	3021 .34/8.7	2658 .35/8.2	2145 .33/8.3	1281 .26/7.8	-	-	-	-	2007	DP41	DP40	665	1/3	3717
3750 .37/10.8	3520 .38/10.1	3248 .40/9.4	2923 .40/9.0	2490 .39/8.5	1880 .35/8.2	-	-	-	-	2008			700	1/2	3913
3910 .42/11.6	3691 .43/10.6	3438 .45/10.0	3134 .46/9.6	2757 .45/9.2	2251 .42/8.9	1438 .35/8.7	-	-	-	2009	DP42	DP41	730	1/2	4081
4071 .47/12.3	3861 .49/11.2	3625 .51/10.7	3338 .51/10.2	3007 .52/9.9	2567 .50/9.5	1963 .45/9.3	-	-	-	2010			760	1/2	4248
4285 .55/13.2	4087 .57/12.3	3868 .59/11.7	3604 .60/11.2	3315 .60/10.9	2942 .59/10.5	2469 .56/10.4	1784 .49/10.3	-	-	2011	DP42	DP41	800	3/4	4472
4500 .64/14.1	4311 .66/13.4	4106 .67/13.0	3866 .69/12.5	3599 .70/12.0	3283 .70/11.6	2886 .67/11.3	2379 .62/11.1	1594 .52/10.8	-	2012			840	3/4	4696
4687 .72/14.9	4506 .74/14.4	4312 .76/13.9	4091 .78/13.5	3838 .79/13.2	3560 .79/12.7	3210 .78/12.4	2787 .74/12.3	2229 .68/10.9	-	2013	DP42	DP41	875	3/4	4891
4901 .82/16.2	4729 .84/15.7	4546 .86/15.2	4341 .88/14.7	4104 .90/14.3	3854 .90/14.0	3553 .90/13.6	3191 .88/13.4	2751 .83/12.9	-	2014			915	1	5115
5089 .92/17.3	4923 .94/16.8	4748 .96/16.4	4557 .98/15.9	4335 1.00/15.5	4098 1.01/15.1	3834 1.01/14.7	3511 1.00/14.4	3133 .96/13.9	2017 .80/13.0	2015	DP42	DP43	950	1	5311
5276 1.03/18.4	5117 1.05/17.9	4949 1.07/17.5	4768 1.09/17.1	4562 1.11/16.7	4336 1.12/16.3	4098 1.12/15.9	3811 1.12/15.5	3476 1.10/15.4	2589 .98/15.1	2016			985	1	5506
5517 1.17/19.9	5365 1.20/19.4	5206 1.22/19.0	5036 1.24/18.5	4847 1.26/18.1	4634 1.28/17.8	4416 1.28/17.4	4171 1.28/17.1	3879 1.28/16.8	3156 1.19/16.7	2017	DP42	DP43	1030	1-1/2	5758
5705 1.30/21	5558 1.32/21	5405 1.35/20	5242 1.37/19.8	5065 1.39/19.4	4865 1.41/19.0	4655 1.42/18.6	4434 1.42/18.3	4173 1.42/18.0	3532 1.36/17.8	2018			1065	1-1/2	5953
5892 1.43/22	5750 1.45/22	5602 1.48/22	5447 1.50/21	5280 1.53/21	5092 1.55/20	4889 1.56/19.9	4683 1.56/19.5	4451 1.56/19.2	3874 1.53/19.1	2019	DP42	DP43	1100	1-1/2	6149
6107 1.59/24	5970 1.62/24	5828 1.64/23	5679 1.67/23	5521 1.69/22	5346 1.71/22	5154 1.73/21	4985 1.74/21	4751 1.74/21	4236 1.73/20	2020			1140	2	6373
6294 1.74/25	6161 1.77/25	6024 1.80/24	5881 1.82/24	5730 1.85/24	5566 1.87/23	5384 1.89/23	5194 1.90/22	4999 1.91/22	4535 1.90/21	2021	DP42	DP43	1175	2	6568
6482 1.90/27	6353 1.93/26	6220 1.96/26	6082 1.98/25	5937 2.01/25	5782 2.04/25	5610 2.06/24	5426 2.07/24	5241 2.08/24	4821 2.08/24	2022			1210	2	6764

Power Ratings (BHP) does not include drive losses.
Performance certified is for installation type A - free inlet, free outlet.
Performance ratings include the effects of birdscreen in the airstream.
The sound ratings shown are loudness values in fan sones @ 5' (1.5m) in a hemispherical free field calculated per AMCA Standard 301. Values shown are for Installation Type A: free inlet hemispherical sone levels.



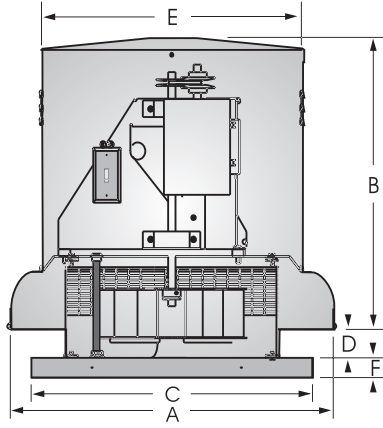
JencoFan, Div. of Soler & Palau Ventilation Group, certifies that the Models DB shown herein are licensed to bear the AMCA Seal. The ratings shown are based on test and procedures performed in accordance with AMCA Publication 211 and AMCA Publication 311 and comply with the requirement of the AMCA Certified Ratings Program.





MODEL DB
BELT DRIVE CENTRIFUGAL ROOF EXHAUSTER

SIZE 24



Dimensional Data										
Damper OD	Roof Opening	Curb OD	A	B	C	D	E	F	Fan Wt	Ship Wt
30	30-3/4	33-3/4	41-1/4	26-1/2	35-3/4	8-1/2	30	2-1/2	155	290

CFM / BHP @ Static Pressure / Sones											Drive Range	RPM	HP	Tip Speed
0	1/8	1/4	3/8	1/2	5/8	3/4	7/8	1	1-1/4	Catalog Number				
3286	2405	-	-	-	-	-	-	-	-	2401	DP45	330	1/4	2102
.09/5.1	.10/3.9	-	-	-	-	-	-	-	-	2402		365	1/4	2325
3634	2914	-	-	-	-	-	-	-	-	2403	DP46	400	1/4	2548
.12/6.1	.14/5.2	-	-	-	-	-	-	-	-	2404		450	1/4	2867
3983	3364	1948	-	-	-	-	-	-	-	2405	DP47	470	1/3	2994
.16/7.2	.18/6.6	.15/4.8	-	-	-	-	-	-	-	2406		490	1/3	3121
4480	3949	3090	-	-	-	-	-	-	-	2407	DP48	540	1/2	3440
.23/9.0	.25/8.4	.25/6.9	-	-	-	-	-	-	-	2408		560	1/2	3567
4680	4176	3453	1852	-	-	-	-	-	-	2409	DP49	590	3/4	3758
.26/9.7	.28/9.2	.29/7.8	.22/6.8	-	-	-	-	-	-	2410		610	3/4	3886
4879	4400	3751	2388	-	-	-	-	-	-	2411	DP50	645	3/4	4109
.30/10.2	.32/9.7	.33/8.6	.27/7.3	-	-	-	-	-	-	2412		680	1	4332
5376	4952	4436	3483	2055	-	-	-	-	-	2413	DP51	710	1	4523
.40/11.7	.42/11.3	.44/10.8	.41/9.0	.32/8.6	-	-	-	-	-	2414		750	1-1/2	4778
5576	5169	4688	3972	2614	-	-	-	-	-	2415	DP52	785	1-1/2	5000
.44/12.4	.47/11.9	.49/11.5	.48/9.8	.40/8.8	-	-	-	-	-	2416		820	1-1/2	5223
5874	5493	5048	4447	3296	1791	-	-	-	-	2417	DP53	855	2	5446
.52/13.4	.55/12.9	.57/12.5	.57/11.2	.50/9.9	.38/9.8	-	-	-	-	2418		900	2	5733
6073	5706	5282	4735	3702	2487	-	-	-	-	2419	DP54	925	3	5892
.57/14.2	.60/13.5	.63/13.2	.63/12.1	.57/10.6	.48/10.8	-	-	-	-	2420		960	3	6115
6422	6078	5683	5219	4557	3374	1906	-	-	-	2421	DP55	980	3	6243
.68/15.6	.71/14.9	.74/14.3	.75/13.8	.73/12.2	.63/11.3	.49/11.1	-	-	-	2422		1000	3	6370
6770	6447	6077	5670	5117	4097	3051	-	-	-	2417				
.80/17.0	.83/16.4	.86/15.9	.88/15.3	.87/14.0	.79/13.1	.70/12.4	-	-	-	2413				
7069	6761	6412	6033	5549	4848	3773	2570	-	-	2417				
.91/18.3	.94/17.7	.97/17.2	.99/16.7	1.00/15.5	.96/14.6	.85/14.0	.72/13.8	-	-	2414				
7467	7177	6854	6502	6096	5566	4594	3685	2423	-	2414				
1.07/20	1.10/19.5	1.14/19.0	1.16/18.5	1.18/17.9	1.17/16.7	1.07/16.0	.97/15.4	.80/15.3	-	2415				
7816	7540	7235	6904	6545	6077	5479	4451	3518	-	2415				
1.22/22	1.26/21	1.30/21	1.33/20	1.35/19.7	1.35/18.6	1.32/17.8	1.18/17.2	1.07/16.6	-	2416				
8164	7902	7613	7299	6968	6567	6073	5180	4360	-	2416				
1.40/23	1.43/23	1.47/22	1.51/22	1.53/21	1.54/21	1.53/19.7	1.42/19.0	1.31/18.4	-	2417				
8513	8262	7988	7691	7380	7029	6587	6059	5077	3286	2417				
1.58/25	1.62/24	1.66/24	1.70/24	1.73/23	1.74/23	1.74/22	1.71/21	1.56/20	1.29/20	2418				
8961	8723	8467	8190	7899	7590	7218	6775	6180	4490	2419				
1.85/27	1.89/27	1.93/26	1.97/26	2.00/26	2.03/25	2.04/24	2.02/24	1.97/23	1.69/22	2419				
9210	8979	8731	8464	8182	7888	7550	7136	6665	5053	2420				
2.00/28	2.05/28	2.09/28	2.13/27	2.17/27	2.19/27	2.21/26	2.20/25	2.18/25	1.91/23	2420				
9558	9337	9099	8846	8576	8299	7998	7631	7211	5760	2421				
2.24/30	2.28/30	2.33/29	2.37/29	2.41/28	2.44/28	2.47/28	2.47/27	2.46/26	2.22/25	2421				
9757	9541	9309	9062	8800	8530	8243	7902	7503	6189	2422				
2.38/31	2.43/30	2.47/30	2.52/30	2.56/29	2.59/29	2.62/29	2.63/28	2.62/27	2.42/26	2422				
9956	9744	9518	9278	9023	8760	8483	8166	7789	6753	2422				
2.53/31	2.58/31	2.63/31	2.67/30	2.71/30	2.75/30	2.78/30	2.79/29	2.79/28	2.67/27	2422				

Power Ratings (BHP) does not include drive losses.
 Performance certified is for installation type A - free inlet, free outlet.
 Performance ratings include the effects of birdscreen in the airstream.
 The sound ratings shown are loudness values in fan sones @ 5' (1.5m) in a hemispherical free field calculated per AMCA Standard 301. Values shown are for: Installation Type A: free inlet hemispherical sone levels.

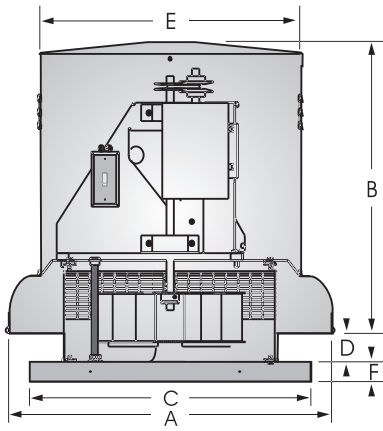


JencoFan, Div. of Soler & Palau Ventilation Group, certifies that the Models DB shown herein are licensed to bear the AMCA Seal. The ratings shown are based on test and procedures performed in accordance with AMCA Publication 211 and AMCA Publication 311 and comply with the requirement of the AMCA Certified Ratings Program.





SIZE 30



Dimensional Data										
Damper OD	Roof Opening	Curb OD	A	B	C	D	E	F	Fan Wt	Ship Wt
36	37-1/4	40-3/4	58-3/8	37	42-1/2	5-1/2	41	2-1/2	265	465

CFM / BHP @ Static Pressure / Sones											Drive Range	RPM	HP	Tip Speed
0	1/8	1/4	3/8	1/2	5/8	3/4	7/8	1	1-1/4	Catalog Number				
4068 .09/2.7	2456 .09/2.5	-	-	-	-	-	-	-	-	3001	DP53	235	1/3	1871
4588 .13/3.4	3300 .14/3.2	-	-	-	-	-	-	-	-	3002		265	1/3	2110
5107 .18/4.2	4015 .19/3.6	1930 .15/3.4	-	-	-	-	-	-	-	3003	DP54	295	1/3	2349
5626 .24/5.0	4681 .26/4.1	3220 .24/3.6	-	-	-	-	-	-	-	3004		325	1/3	2588
6146 .32/5.8	5311 .34/4.7	4149 .33/5.0	-	-	-	-	-	-	-	3005	DP55	355	1/3	2827
6665 .40/6.6	5916 .43/5.3	4921 .43/6.2	3455 .38/6.1	-	-	-	-	-	-	3006		385	1/2	3066
7098 .49/7.3	6406 .51/5.9	5512 .52/6.6	4350 .49/6.4	2246 .38/6.8	-	-	-	-	-	3007	DP56	410	1/2	3265
7531 .58/8.1	6888 .61/6.7	6081 .62/7.1	5087 .60/7.0	3601 .53/6.9	-	-	-	-	-	3008		435	3/4	3464
8050 .71/9.1	7456 .74/7.6	6735 .76/7.7	5866 .75/8.5	4743 .71/8.2	2961 .59/8.1	-	-	-	-	3009	DP57	465	3/4	3703
8483 .83/9.8	7925 .86/8.4	7262 .89/8.2	6468 .89/8.9	5528 .85/8.8	4179 .77/8.0	-	-	-	-	3010		490	1	3902
8916 .97/10.6	8388 1.00/9.2	7775 1.03/8.7	7047 1.03/9.4	6215 1.01/9.2	5132 .95/8.6	3571 .82/8.8	-	-	-	3011	DP58	515	1	4101
9608 1.21/12.0	9124 1.25/10.6	8574 1.30/9.5	7937 1.30/10.2	7213 1.28/11.0	6385 1.25/9.0	5286 1.17/8.9	3788 1.02/8.7	-	-	3012		555	1-1/2	4419
10214 1.46/13.2	9761 1.49/11.7	9257 1.55/10.6	8683 1.55/11.0	8030 1.55/11.7	7315 1.53/12.6	6472 1.48/12.4	5352 1.38/12.2	3860 1.21/21.6	-	3013	DP59	590	1-1/2	4698
10820 1.73/14.5	10395 1.77/13.1	9928 1.84/11.8	9405 1.84/11.7	8817 1.85/12.6	8171 1.84/13.3	7460 1.80/13.0	6604 1.74/12.8	5497 1.62/12.7	-	3014		625	2	4977
11339 1.99/15.6	10936 2.03/14.2	10496 2.07/13.1	10010 2.10/12.6	9469 2.13/13.2	8871 2.12/14.0	8231 2.10/14.8	7507 2.05/14.6	6617 196/14.0	4024 1.61/13.8	3015	DP60	655	2	5215
11859 2.28/16.7	11474 2.32/15.4	11058 2.36/14.3	10605 2.40/13.4	10104 2.43/14.0	9552 2.43/14.7	8960 2.42/15.4	8319 2.38/15.1	7584 2.32/14.7	5573 2.07/14.5	3016		685	3	5454
12378 2.59/17.9	12011 2.64/16.5	11617 2.68/15.4	11190 2.72/14.4	10724 2.75/14.8	10213 2.77/15.4	9660 2.76/16.1	9076 2.73/16.9	8434 2.69/16.8	6767 2.49/17.9	3017	715	3	5693	
12897 2.93/19.1	12546 2.98/17.9	12171 3.02/16.7	11768 3.06/15.7	11332 3.10/15.6	10857 3.13/16.2	10343 3.13/16.9	9798 3.11/17.6	9220 3.07/18.5	7827 2.93/19.4	3018	745	3	5932	
13330 3.24/20	12991 3.29/18.9	12630 3.33/17.8	12245 3.37/16.8	11831 3.41/16.4	11383 3.45/16.9	10899 3.46/17.6	10381 3.45/18.3	9841 3.42/19.1	8602 3.31/19.8	3019	770	5	6131	
13936 3.70/22	13612 3.75/20	13270 3.80/19.4	12907 3.84/18.3	12520 3.88/17.4	12104 3.92/18.0	11657 3.95/18.6	11179 3.95/19.3	10676 3.93/19.9	9580 3.84/21	3020	805	5	6410	
14542 4.20/23	14232 4.26/22	13907 4.31/21	13563 4.35/19.9	13199 4.40/19.0	12811 4.44/19.1	12396 4.48/19.6	11954 4.49/20	11485 4.48/21	10487 4.41/22	3021	840	5	6689	
15148 4.75/24	14851 4.81/23	14540 4.86/22	14214 4.91/22	13871 4.96/21	13507 5.00/20	13120 5.04/21	12709 5.07/21	12273 5.08/22	11344 5.03/23	3022	875	5	6967	

Power Ratings (BHP) does not include drive losses.
Performance certified is for installation type A - free inlet, free outlet.
Performance ratings include the effects of birdscreen in the airstream.
The sound ratings shown are loudness values in fan sones @ 5' (1.5m) in a hemispherical free field calculated per AMCA Standard 301. Values shown are for: Installation Type A: free inlet hemispherical sone levels.

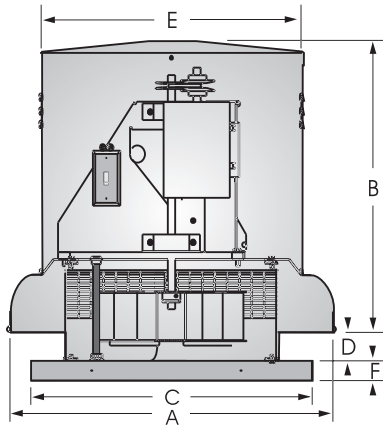


JencoFan, Div. of Soler & Palau Ventilation Group, certifies that the Models DB shown herein are licensed to bear the AMCA Seal. The ratings shown are based on test and procedures performed in accordance with AMCA Publication 211 and AMCA Publication 311 and comply with the requirement of the AMCA Certified Ratings Program.





SIZE 36



Dimensional Data										
Damper OD	Roof Opening	Curb OD	A	B	C	D	E	F	Fan Wt	Ship Wt
36	37-1/4	40-3/4	58-3/8	37	42-1/2	10	41	2-1/2	275	475

CFM / BHP @ Static Pressure / Sones										Catalog Number	Drive Range	RPM	HP	Tip Speed
0	1/8	1/4	3/8	1/2	5/8	3/4	7/8	1	1-1/4					
5995	3550	-	-	-	-	-	-	-	-	3601	DP61	210	1/2	1945
.16/3.9	.14/3.0	-	-	-	-	-	-	-	-			235	1/2	2177
6708	4887	-	-	-	-	-	-	-	-	3602		260	1/2	2408
.22/4.9	.22/4.1	-	-	-	-	-	-	-	-	3603		285	1/2	2640
7422	5964	-	-	-	-	-	-	-	-	3604		310	1/2	2871
.30/5.9	.31/5.2	-	-	-	-	-	-	-	-	3605		330	3/4	3057
8136	6868	4443	-	-	-	-	-	-	-	3606		355	3/4	3288
.40/7.0	.42/6.4	.35/5.6	-	-	-	-	-	-	-	3607		370	1	3427
8849	7708	5686	-	-	-	-	-	-	-	3608		385	1	3566
.51/8.2	.53/7.7	.48/6.8	-	-	-	-	-	-	-	3609		400	1-1/2	3705
9420	8361	6793	4157	-	-	-	-	-	-	3610	415	1-1/2	3844	
.62/9.2	.64/8.8	.62/8.0	.49/7.1	-	-	-	-	-	-	3611	430	1-1/2	3983	
10134	9166	7936	5730	-	-	-	-	-	-	3612	445	1-1/2	4122	
.77/10.1	.80/9.7	.80/9.1	.68/8.3	-	-	-	-	-	-	3613	470	2	4353	
10562	9646	8521	6450	3321	-	-	-	-	-	3614	490	2	4539	
.87/10.7	.90/10.3	.91/9.7	.80/8.9	.57/8.8	-	-	-	-	-	3615	510	3	4724	
10990	10122	9075	7268	5137	-	-	-	-	-	3616	535	3	4955	
.98/11.3	1.02/10.8	1.02/10.3	.94/9.7	.80/9.0	-	-	-	-	-	3617	560	3	5187	
11418	10593	9607	8102	6133	-	-	-	-	-	3618	580	5	5372	
1.10/11.9	1.14/11.4	1.15/10.9	1.09/10.3	.96/9.7	-	-	-	-	-	3619	620	5	5742	
11846	11060	10120	8852	6860	3994	-	-	-	-	3620	640	5	5928	
1.23/12.6	1.27/12.0	1.28/11.6	1.25/10.9	1.10/10.4	.84/10.2	-	-	-	-	3621	660	5	6113	
12275	11524	10623	9521	7583	5709	-	-	-	-	3622				
1.37/13.3	1.41/12.8	1.43/12.2	1.41/11.6	1.26/11.1	1.11/10.5	-	-	-	-					
12703	11985	11118	10124	8417	6731	-	-	-	-					
1.52/14.3	1.56/13.6	1.58/13.0	1.57/12.4	1.45/11.8	1.31/11.3	-	-	-	-					
13416	12747	11931	11059	9774	7958	6170	-	-	-					
1.79/15.5	1.83/15.0	1.86/14.6	1.86/14.0	1.79/13.3	1.62/12.7	1.44/12.2	-	-	-					
13987	13351	12574	11770	10712	8982	7516	4507	-	-					
2.03/16.7	2.08/16.2	2.10/15.7	2.11/15.2	2.08/14.6	1.90/14.1	1.76/13.5	1.34/13.2	-	-					
14558	13953	13218	12453	11540	10114	8485	6849	-	-					
2.29/17.9	2.34/17.4	2.37/17.0	2.38/16.5	2.37/15.9	2.23/15.2	2.05/14.7	1.86/14.2	-	-					
15272	14701	14015	13287	12489	11391	9739	8401	6406	-					
2.64/19.4	2.69/18.9	2.73/18.5	2.74/18.1	2.74/17.6	2.67/17.0	2.47/16.4	2.32/15.8	2.03/15.6	-					
15986	15445	14803	14106	13387	12494	11151	9603	8338	-					
3.03/21	3.09/21	3.12/20	3.14/19.7	3.15/19.3	3.12/18.7	2.96/18.2	2.75/17.6	2.59/17.1	-					
16556	16038	15427	14754	14078	13283	12187	10640	9371	-					
3.36/22	3.42/22	3.47/22	3.49/21	3.50/21	3.49/20	3.38/19.5	3.15/19.0	2.99/18.5	-					
17698	17218	16663	16040	15416	14752	13951	12842	11372	8936					
4.11/25	4.17/25	4.22/24	4.25/24	4.27/24	4.28/23	4.25/23	4.10/22	3.85/21	3.47/20					
18269	17806	17275	16680	16072	15450	14727	13803	12509	10068					
4.52/26	4.59/26	4.64/26	4.67/25	4.69/25	4.70/25	4.69/24	4.60/24	4.37/23	3.97/22					
18840	18393	17884	17315	16722	16130	15470	14678	13586	11030					
4.96/28	5.03/27	5.08/27	5.12/27	5.14/27	5.16/26	5.15/26	5.11/25	4.93/25	4.46/23					

Power Ratings (BHP) does not include drive losses.
 Performance certified is for installation type A - free inlet, free outlet.
 Performance ratings include the effects of birdscreen in the airstream.
 The sound ratings shown are loudness values in fan sones @ 5' (1.5m) in a hemispherical free field calculated per AMCA Standard 301. Values shown are for: Installation Type A: free inlet hemispherical sone levels.



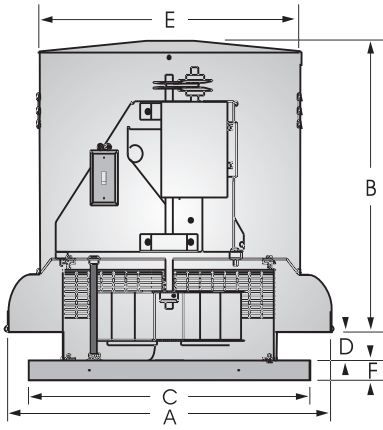
JencoFan, Div. of Soler & Palau Ventilation Group, certifies that the Models DB shown herein are licensed to bear the AMCA Seal. The ratings shown are based on test and procedures performed in accordance with AMCA Publication 211 and AMCA Publication 311 and comply with the requirement of the AMCA Certified Ratings Program.





MODEL DB
BELT DRIVE CENTRIFUGAL ROOF EXHAUSTER

SIZE 42



Dimensional Data										
Damper OD	Roof Opening	Curb OD	A	B	C	D	E	F	Fan Wt	Ship Wt
48	50-1/4	53-1/4	73	40-1/2	55	10	54-5/8	2-1/2	425	700

CFM / BHP @ Static Pressure / Sones											Drive Range	RPM	HP	Tip Speed
0	1/8	1/4	3/8	1/2	5/8	3/4	7/8	1	1-1/4	Catalog Number				
8498 .22/4.8	4889 .20/4.4	-	-	-	-	-	-	-	-	4201	DP68	180	1/2	1966
9206 .28/5.5	6287 .28/5.1	-	-	-	-	-	-	-	-	4202		195	1/2	2129
9914 .35/6.3	7461 .36/5.9	-	-	-	-	-	-	-	-	4203		210	1/2	2293
10622 .43/7.1	8475 .45/6.8	-	-	-	-	-	-	-	-	4204		225	1/2	2457
11330 .52/7.9	9396 .55/7.6	4910 .40/7.4	-	-	-	-	-	-	-	4205		240	1/2	2621
12275 .66/9.0	10579 .70/8.8	7451 .62/8.6	-	-	-	-	-	-	-	4206		260	3/4	2839
12983 .78/9.8	11450 .83/9.5	8825 .78/9.2	-	-	-	-	-	-	-	4207		275	3/4	3003
13691 .92/10.5	12288 .97/10.2	10034 .94/9.9	4980 .63/9.8	-	-	-	-	-	-	4208		290	1	3167
14399 1.07/11.4	13101 1.12/11.0	11116 1.12/10.7	7740 .95/10.5	-	-	-	-	-	-	4209		305	1	3331
15343 1.29/12.7	14142 1.35/12.3	12411 1.36/11.9	9744 1.25/11.7	-	-	-	-	-	-	4210		325	1-1/2	3549
16051 1.48/13.6	14909 1.54/13.2	13323 1.56/12.9	11079 1.48/12.6	7073 1.16/12.6	-	-	-	-	-	4211	340	1-1/2	3713	
16760 1.68/14.6	15670 1.75/14.3	14209 1.78/13.9	12276 1.73/13.6	9251 1.51/13.5	-	-	-	-	-	4212	DP73	355	2	3877
17468 1.91/15.7	16424 1.97/15.4	15097 2.01/15.1	13368 1.99/14.7	10756 1.81/14.6	-	-	-	-	-	4213		370	2	4040
17940 2.07/16.4	16925 2.13/16.0	15681 2.18/15.8	14051 2.17/15.5	11690 2.02/15.4	7879 1.61/15.3	-	-	-	-	4214		380	2	4150
18884 2.41/17.7	17921 2.47/17.5	16818 2.54/17.2	15321 2.54/16.9	13399 2.44/16.7	10674 2.19/16.6	-	-	-	-	4215		400	3	4368
20064 2.89/19.6	19158 2.96/19.4	18187 3.04/19.1	16827 3.05/18.9	15279 3.01/18.6	13084 2.82/18.5	10122 2.46/18.5	-	-	-	4216		425	3	4641
20536 3.10/20	19650 3.17/20	18722 3.26/19.9	17415 3.27/19.7	15970 3.25/19.4	13969 3.08/19.3	11354 2.79/19.2	-	-	-	4217		435	5	4750
21245 3.43/22	20388 3.50/21	19503 3.59/21	18303 3.62/21	16950 3.61/21	15203 3.49/21	12874 3.23/20	9401 2.69/20	-	-	4218		450	5	4914
21953 3.78/23	21123 3.85/23	20276 3.95/22	19182 4.00/22	17883 3.99/22	16350 3.91/22	14281 3.69/22	11720 3.34/22	-	-	4219		465	5	5078
22897 4.29/24	22101 4.36/24	21297 4.47/24	20323 4.53/24	19089 4.53/24	17764 4.50/24	16014 4.33/23	13804 4.04/23	10779 3.51/23	-	4220		485	5	5296
23605 4.71/26	22832 4.78/26	22057 4.88/25	21158 4.96/25	19975 4.96/25	18753 4.95/25	17204 4.82/25	15217 4.57/25	12857 4.20/25	-	4221		500	5	5460
23841 4.85/26	23076 4.92/26	22309 5.02/26	21432 5.11/26	20267 5.11/25	19070 5.11/25	17584 4.99/25	15675 4.75/25	13399 4.40/25	-	4222	505	5	5515	

Power Ratings (BHP) does not include drive losses.
Performance certified is for installation type A - free inlet, free outlet.
Performance ratings include the effects of birdscreen in the airstream.
The sound ratings shown are loudness values in fan sones @ 5' (1.5m) in a hemispherical free field calculated per AMCA Standard 301. Values shown are for: Installation Type A: free inlet hemispherical sone levels



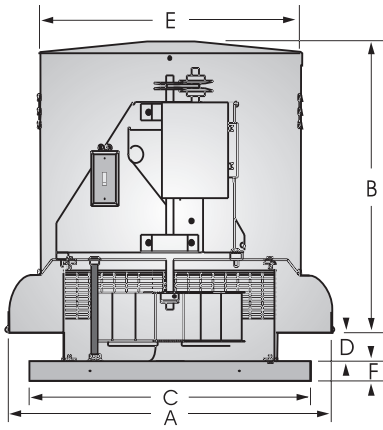
JencoFan, Div. of Soler & Palau Ventilation Group, certifies that the Models DB shown herein are licensed to bear the AMCA Seal. The ratings shown are based on test and procedures performed in accordance with AMCA Publication 211 and AMCA Publication 311 and comply with the requirement of the AMCA Certified Ratings Program.





MODEL DB
BELT DRIVE CENTRIFUGAL ROOF EXHAUSTER

SIZE 48



Dimensional Data										
Damper OD	Roof Opening	Curb OD	A	B	C	D	E	F	Fan Wt	Ship Wt
48	50-1/4	53-1/4	73	40-1/2	55	13	54-5/8	2-1/2	550	830

CFM / BHP @ Static Pressure / Sones											Drive Range	RPM	HP	Tip Speed	
0	1/8	1/4	3/8	1/2	5/8	3/4	7/8	1	1-1/4	Catalog Number					
9953	5916									4801	DP75	165	1/2	2037	
0.34/4.5	0.29/4.5									4802		175	1/2	2161	
10557	6969									4803		DP76	190	1/2	2347
0.41/5.0	0.37/5.0									4804			200	3/4	2470
11462	8336									4805	DP77	220	3/4	2655	
0.52/5.9	0.49/5.7									4806		230	1	2841	
12065	9166									4807	DP78	240	1	2964	
0.61/6.4	0.58/6.3									4808		255	1-1/2	3149	
13271	10719	6702								4809	DP79	280	1-1/2	3335	
0.81/7.6	0.79/7.5	0.64/7.5								4810		290	2	3582	
13875	11459	7978								4811	DP80	305	2	3705	
0.93/8.2	0.91/8.1	0.78/8.0								4812		320	3	3952	
14478	12182	9095								4813	DP81	325	3	4014	
1.06/8.9	1.04/8.8	0.93/8.6								4814		345	3	4261	
15383	13243	10571	6153							4815	DP82	365	5	4508	
1.27/9.6	1.25/9.6	1.16/9.3	0.9/9.6							4816		375	5	4631	
16891	14963	12732	9568							4817	DP82	395	5	4878	
1.68/10.9	1.67/10.9	1.59/10.6	1.4/10.8							4818		415	5	5310	
17494	15638	13535	10717	6483						4819	DP82	430	7-1/2	5434	
1.87/11.4	1.85/11.4	1.78/11.1	1.62/11.2	1.27/11.8						4820		440	7-1/2	5619	
18399	16641	14696	12255	8622						4821	DP82	455	7-1/2	5804	
2.17/12.2	2.16/12.2	2.1/12.0	1.95/12.1	1.65/12.6						4822		470	7-1/2	5990	
19304	17632	15818	13645	10639	6682										
2.51/13.1	2.5/13.1	2.44/13.0	2.32/12.9	2.06/13.4	1.66/13.7										
19605	17961	16186	14085	11250	7354										
2.63/13.4	2.62/13.4	2.56/13.4	2.44/13.3	2.21/13.7	1.8/14.1										
20812	19267	17627	15762	13440	10204										
3.14/14.9	3.14/14.9	3.09/14.9	2.98/14.7	2.79/14.8	2.44/15.3										
22018	20560	19033	17344	15351	12772	9329									
3.72/16.5	3.72/16.5	3.67/16.5	3.58/16.3	3.42/16.2	3.14/16.6	2.71/17.0									
22622	21204	19726	18109	16240	13902	10767									
4.03/17.3	4.03/17.3	3.99/17.3	3.9/17.1	3.75/16.9	3.5/17.2	3.09/17.7									
23828	22483	21094	19600	17926	15941	13412	10186								
4.72/18.9	4.72/18.9	4.68/18.9	4.6/18.8	4.46/18.6	4.25/18.6	3.92/19.0	3.43/19.3								
25034	23755	22443	21051	19525	17782	15680	12999	9847							
5.47/21	5.47/21	5.44/21	5.36/21	5.24/20	5.06/20	4.79/20	4.37/21	3.83/21							
25939	24705	23445	22117	20682	19077	17201	14891	12003							
6.08/22	6.09/22	6.06/22	5.99/22	5.88/22	5.71/21	5.47/22	5.11/22	4.6/22							
26543	25337	24108	22820	21438	19909	18154	16042	13404							
6.52/23	6.52/23	6.49/23	6.43/23	6.32/23	6.16/22	5.94/22	5.61/23	5.14/23							
27447	26282	25097	23864	22551	21121	19514	17637	15351	9773						
7.21/25	7.21/25	7.19/25	7.13/25	7.03/24	6.88/24	6.67/24	6.38/24	5.98/24	4.83/25						
28352	27224	26081	24896	23645	22297	20809	19114	17107	11869						
7.94/26	7.95/26	7.93/26	7.87/26	7.78/26	7.64/25	7.45/25	7.19/25	6.83/25	5.73/26						

Power Ratings (BHP) does not include drive losses.
 Performance certified is for installation type A - free inlet, free outlet.
 Performance ratings include the effects of birdscreen in the airstream.
 The sound ratings shown are loudness values in fan sones @ 5' (1.5m) in a hemispherical free field calculated per AMCA Standard 301. Values shown are for:
 Installation Type A: free inlet hemispherical sone levels



JencoFan, Div. of Soler & Palau Ventilation Group, certifies that the Models DB shown herein are licensed to bear the AMCA Seal. The ratings shown are based on test and procedures performed in accordance with AMCA Publication 211 and AMCA Publication 311 and comply with the requirement of the AMCA Certified Ratings Program.



MODELS STXD & STXB

DIRECT DRIVE & BELT DRIVE CENTRIFUGAL ROOF EXHAUSTERS

MODEL STXD DIRECT DRIVE CENTRIFUGAL ROOF EXHAUSTER




MODEL FEATURES

- Exhaust air up to 4,780 CFM in high static pressure applications up to 1-1/2" w.g.
- Attractive spun aluminum exterior
- Direct drive units have low sound levels and quiet operation
- Curved non-overloading backward inclined wheel for efficiency at higher static pressures
- Roof or sidewall mounting options
- AMCA Air and Sound Licensed
- cULus 705 or 762 Listed

MODEL OVERVIEW

Model STXD direct drive fans are designed to exhaust air up to 4,780 CFM in high static pressure applications to 1-1/2". The aluminum exterior provides an attractive appearance. The non-overloading backward inclined wheel with its higher static pressure capability makes this unit suitable for either ducted or nonducted applications. Its roof or wall mounting permits location near the area to be ventilated, allowing short duct runs and more efficient operation. Direct drive units use smaller diameter wheels with lower rpm's, resulting in low sound levels and quiet operation. They have no belts or fan bearings to maintain or adjust and consequently require very little maintenance.



Models STXD or STXDRHUL are available in our Quickship program. All sizes are available for next day or 10-day shipping from stock.

Isolation of the motor from the air stream and the high velocity vertical (roof) or horizontal (wall) air discharge make the Model STXD ideally suited for the removal of dirty, contaminated and/or high temperature air from processes and buildings. Typical applications include restaurant hoods and similar kitchen exhaust ventilation, fume and smoke removal, laboratory fume hood exhaust and chemical process exhaust.

**Industry best 5 year fan housing warranty, 1 year motor warranty
STXDRHUL units have 2 year fan housing warranty**



MODEL STXB BELT DRIVE CENTRIFUGAL ROOF EXHAUSTER




MODEL FEATURES

- Exhaust air up to 3,975 CFM in high static pressure applications up to 1-1/2" w.g.
- Attractive spun aluminum exterior
- Belt drives permit easy performance adjustments when needed
- Curved non-overloading backward inclined wheel for efficiency at higher static pressures
- Roof or sidewall mounting options
- AMCA Air and Sound Licensed
- cULus 705 or 762 Listed
- NFPA - suitable for National Fire Protection Association Installations

MODEL OVERVIEW

Model STXB belt drive fans are designed to exhaust air up to 3,975 CFM in high static pressure applications to 1-1/2". The aluminum exterior provides an attractive appearance. Belt drive results in lower operating RPM and sound levels, making the Model STXB well suited to applications where quiet operation is important. Belt drive also permits easy performance adjustments when needed to balance the total ventilation system. The non-overloading backward inclined wheel with its higher static pressure capability makes this unit suitable for either ducted or nonducted applications. It's roof or sidewall mounting options permit location near the area to be ventilated, allowing short duct runs and more efficient operation.



Model STXB-UL762 is available in our Quickship program. Sizes 8-16 are available for next day or 3-day shipping from stock.

Isolation of motor and drive components from the airstream and the high velocity vertical air discharge make the Model STXB ideally suited for the removal of dirty contaminated and/or high temperature air from processes and buildings. Typical applications include restaurant hoods and similar kitchen exhaust ventilation, fume and smoke removal, laboratory fume hood exhaust and chemical process exhaust. The STXB line of fans is available in a variety of construction options, see the chart above for the STXB that is right for your application.

Industry best 5 year fan housing warranty, 1 year motor warranty
STXBRHUL units have 2 year fan housing warranty



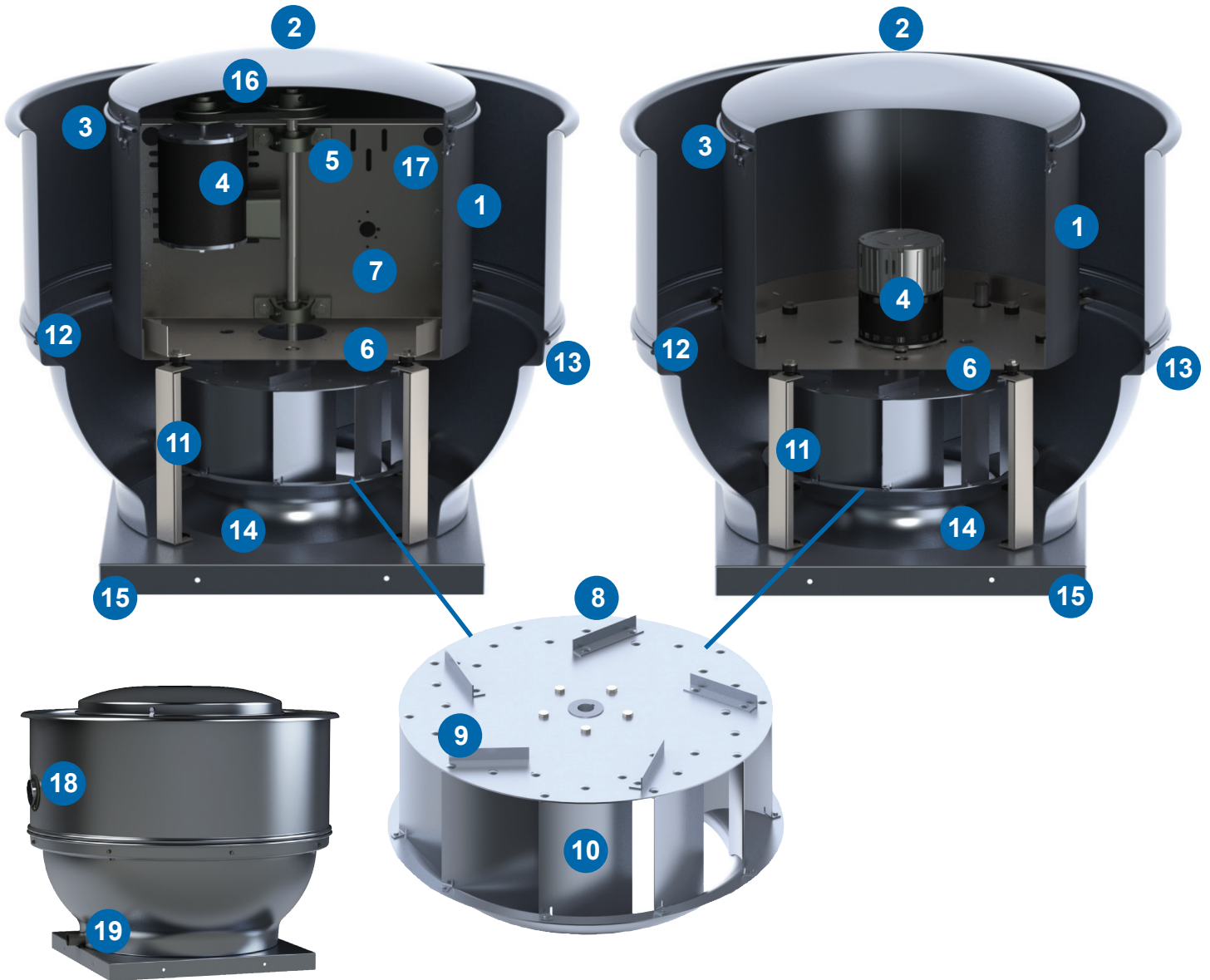
Upblast Model Overview & Construction Features

Model STXB - Belt Drive

Size Range	8, 10, 12, 14, 15 & 16
Motor HP Range	1/4 to 1-1/2
CFM Range	200 to 3975
Static Pressure	up to 1-1/2 in. w.g.
Mounting	Suitable for Roof or Wall
Warranty	5 years/2 years for RHUL models

Model STXD - Direct Drive

Size Range	6, 7, 8, 10, 12, 14, 15 & 16
Motor HP Range	1/25 to 1-1/2
CFM Range	55 to 4780
Static Pressure	up to 1-1/2 in. w.g.
Mounting	Suitable for Roof or Wall
Warranty	5 years/2 years for RHUL models



Applications

Exhaust Contaminated, Grease Laden and/or High Temperature Air

- Restaurant Hoods/Kitchen Ventilation
- Fume and Smoke Removal
- Laboratory Fume Hoods
- Chemical Process Exhaust



Upblast Model Overview & Construction Features

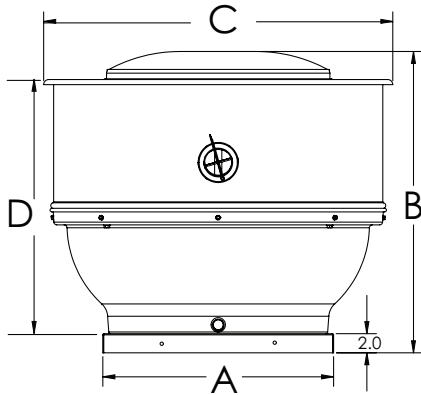
#	Feature	Description
1	Motor Cover	Heavy-gauge aluminum motor cover provides weather protection for motor compartment.
2	Motor Cover Cap	Heavy-gauge aluminum top with rolled bead for added strength and quick-release latches.
3	Quick-Release Latches	Stainless steel latches for easy removal of motor cover cap for access to the motor compartment and motor.
4	Motor	Open drip-proof enclosure standard, many other options available.
5	Bearings	Air handling ball bearing type with cast iron housing and grease fittings.
6	Vibration Isolators	Neoprene (rubber) vibration isolators to reduce vibration and noise.
7	Motor Mounting Plate	Heavy-gauge galvanized motor mounting plate.
8	Wheel	Aluminum, non-overloading, backward-inclined, curved centrifugal wheel for maximum efficiency. Each wheel is dynamically balanced for smooth operation and long life.
9	Cooling Vanes	Helps promote cooling of the motor and drive by pulling air through the motor compartment. Helps maximize the life of the motor and drives.
10	Curved Blades	Designed to provide more CFM per HP and lower sound levels.
11	Support Legs	4 heavy-gauge galvanized support legs to anchor the motor plate to the fan base for stability and vibration reduction.
12	Shroud	Spun aluminum fan shroud with rolled bead for extra strength. Fan shroud directs the exhausted air upward away from the mounting surface.
13	Exterior Fasteners	Stainless steel.
14	Inlet Venturi	Deep spun single piece inlet venturi for optimum air and sound performance
15	Curb Cap	Fully welded curb cap for rigidity and weather protection. Pre-punched mounting holes for ease of installation.
16	Drives	Sized for 150% of drive HP, adjustable pitch motor sheaves.
17	Lifting Lugs	Standard on all belt drive models, STXB, for easy and safe placement of the fan on roof.
18	Vent Tube	Oversized vent tube for maximum motor cooling.
19	Grease Drain Fitting	Grease drain fitting for connection of Grease Trough or Grease Grabber.
20	Disconnect Switch (not shown)	Standard with ODP and TE single speed motors. Ships loose.



DIMENSIONS

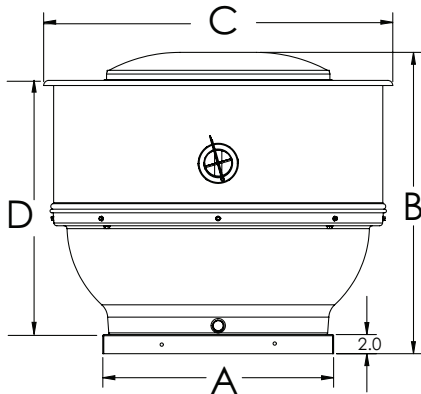
Dimensions in Inches

Model STXD: Direct Drive Centrifugal Upblast



Size	A	B	C	D	Roof Opening	Curb O.D.	Damper (O.D.)	Average Ship Wt. Lbs.
6	18 1/8	25 1/2	28 5/8	19 3/4	13 1/2	16 1/2	12	90
7	18 1/8	25 1/2	28 5/8	19 3/4	13 1/2	16 1/2	12	89
8	18 1/8	25 1/2	28 5/8	19 3/4	13 1/2	16 1/2	12	98
10	18 1/8	25 1/2	28 5/8	19 3/4	13 1/2	16 1/2	12	114
12	20 1/8	27 1/8	31 1/4	21 3/8	15 1/2	18 1/2	14	118
14	20 1/8	27 1/8	31 1/4	21 3/8	15 1/2	18 1/2	14	117
15	24 1/8	27 7/8	36 1/2	22	19 1/2	22 1/2	18	135
16	24 1/8	27 7/8	36 1/2	22	19 1/2	22 1/2	18	136

Model STXB: Belt Drive Centrifugal Upblast



Size	A	B	C	D	Roof Opening	Curb O.D.	Damper (O.D.)	Average Ship Wt. Lbs.
8	18 1/8	29 1/3	28 5/8	24 1/3	13 1/2	16 1/2	12	123
10	18 1/8	29 1/3	28 5/8	24 1/3	13 1/2	16 1/2	12	124
12	20 1/8	30 7/8	31 1/3	25 7/8	15 1/2	18 1/2	14	136
14	20 1/8	30 7/8	31 1/3	25 7/8	15 1/2	18 1/2	14	138
15	24 1/8	31 3/8	36 1/2	26 5/8	19 1/2	22 1/2	18	155
16	24 1/8	31 3/8	36 1/2	26 5/8	19 1/2	22 1/2	18	155

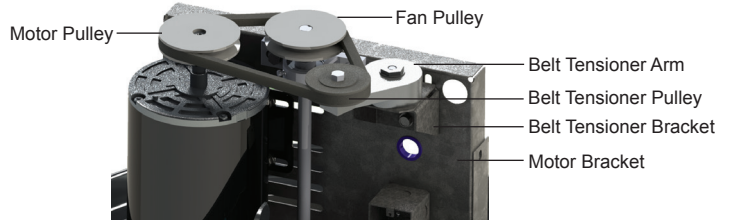


OPTIONS/ACCESSORIES

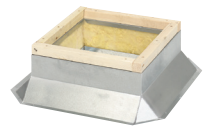
Solid State Speed Control (STXD): JencoFan's solid state control is matched to the motor and blower wheel to allow continuous reduction in performance allowing adjustments of airflow for system balancing. CFM is reduced in direct proportion to motor speed reduction. Speed control is available for 115 or 230 volt single phase. Exhauster performance can be controlled from the ventilated area.



Automatic Belt Tensioner (STXB): Available on sizes 8-16, The Automatic Belt Tensioners eliminate the need for regular manual retensioning of drives, and the risk of inadvertently over-tensioning drive components is avoided and overall drive operating efficiency is enhanced. Benefits include reduction in startup and maintenance costs, increased belt life, increased drive efficiency, and ensure drive components do not snag obstructions.



Roof Curb: Prefabricated heavy-gauge galvanized steel, welded construction, 12" high (other heights are also available) with 1-1/2" wood nailer. Assures perfect fit of exhauster to roof opening. Options include burglar bars, single or double pitch construction and hinged curbs for easy duct access.



Common Curb: Designed to allow both the supply fan and exhaust fan to be mounted on the same curb. This curb requires only one roof opening and speeds installation time.

Motor Operated Damper: Motor operated aluminum damper for positive closure against backdraft. (Not for UL762 use).



Automatic Damper: Automatic aluminum damper for ease in installation and effective backdraft protection. (Not for UL762 use).

Grease Grabber or Aluminum Grease Trough: Trap designed for fast and inexpensive replacement. Grease collects in a container for safe and sanitary disposal. Keeps roof clean with proper use.

Curb Hinge Arrangement: The curb hinge arrangement provides easy access to the exhaust fan, backdraft damper, and duct for servicing and cleaning.

Birdscreen: To protect the fan from birds and other large objects.

Insect Screen: Helps prevent insects, snow, airborne mist or water droplets from entering.

Special Coatings: Powered roof exhausters often require special coatings for protective and decorative purposes. Available coatings include: Synthetic Resin, Epoxy, and Heresite (air-dried phenolic). Contact your representative or the factory for more information on available coatings and colors.



CONSTRUCTION/SPECIFICATION CHECKLIST

Housing

- Curb cap with integral deep single piece spun inlet for efficient performance and prevention of leakage into ductwork.
- Heavy-gauge aluminum housing and curb cap for strength and rigidity. Curb cap is galvanized steel on all UL762 units.
- Stainless steel exterior fasteners.
- Enclosed, ventilated motor compartment isolates motor from exhaust air.
- Neoprene isolators for reduction of vibration and sound.
- Quick-Release latches on motor cover for easy access to motor compartment.
- Water-tight conduit tube for easy electrical connection without having to wire through the breather tube.
- NFPA - Model STXD is suitable for National Fire Protection Association installations. Contact factory for required accessories.

Centrifugal Wheel

- All aluminum wheel.
- Backward-inclined for efficiency at higher static pressure.
- Non-overloading for safe operation in ducted systems.
- Curved blades for efficiency and quiet operation.
- Dynamically balanced for smooth operation.

Speed Controllable Motors

- Brands are nationally recognized and locally serviced.
- Standard motors are single speed, speed controllable and drip-proof.
- All motors are rated for continuous duty.
- Disconnect switch is standard with drip-proof motors.
- Heavy-gauge steel motor brackets designed for maximum strength.

AMCA Seal

- Assures accuracy of Air and Sound Performance.

cULus Label

- cULus 705 Listed Power Roof Ventilator label assures electrical reliability.
- cUL762us Listed for Restaurant Exhaust Appliance available for applications where required.



SIZE 6

Model	HP	RPM		Static Pressure in Inches w.g.						
				0	.125	.25	.375	.5	.625	.75
STXD6C (1)	1/10	900	CFM	125	92	-	-	-	-	-
			BHP	0.01	0.01	-	-	-	-	-
			Sones	2.1	1.7	-	-	-	-	-
	1/10	1050	CFM	145	119	81	-	-	-	-
			BHP	0.01	0.01	0.01	-	-	-	-
			Sones	3.1	2.6	2.7	-	-	-	-
	1/10	1200	CFM	166	144	117	61	-	-	-
			BHP	0.01	0.02	0.02	0.02	-	-	-
			Sones	4.2	3.7	3.6	3.8	-	-	-
	1/10	1350	CFM	187	168	145	116	56	-	-
			BHP	0.02	0.02	0.02	0.03	0.03	-	-
			Sones	5.4	4.9	4.8	4.8	5.0	-	-
1/10	1500	CFM	208	190	170	149	119	58	-	
		BHP	0.03	0.03	0.03	0.03	0.04	0.04	-	
		Sones	6.6	6.1	5.9	5.9	6.0	6.2	-	
1/10	1650	CFM	225	208	191	172	149	115	56	
		BHP	0.04	0.04	0.04	0.04	0.04	0.05	0.04	
		Sones	7.5	7.1	6.9	6.8	6.8	6.9	7.1	
STXD6 (1)	1/10	900	CFM	170	123	-	-	-	-	-
			BHP	0.01	0.01	-	-	-	-	-
			Sones	2.1	1.8	-	-	-	-	-
	1/10	1050	CFM	199	160	95	-	-	-	-
			BHP	0.01	0.01	0.01	-	-	-	-
			Sones	3.0	2.7	2.8	-	-	-	-
	1/10	1200	CFM	227	195	153	71	-	-	-
			BHP	0.01	0.02	0.02	0.02	-	-	-
			Sones	4.2	3.7	3.6	3.8	-	-	-
	1/10	1350	CFM	255	228	194	147	65	-	-
			BHP	0.02	0.02	0.02	0.03	0.03	-	-
			Sones	5.3	5.0	4.8	4.9	5.0	-	-
	1/10	1500	CFM	284	259	230	196	143	68	-
			BHP	0.03	0.03	0.03	0.03	0.04	0.04	-
			Sones	6.6	6.3	6.1	5.9	6.1	6.2	-
1/10	1650	CFM	308	285	259	231	194	133	68	
		BHP	0.03	0.04	0.04	0.04	0.05	0.05	0.05	
		Sones	7.5	7.2	7.0	6.9	6.9	7.0	7.1	

(1) Models STXD6 and STXD6C series have choke plate.

Performance certified is for installation type A-free inlet, free outlet.

Performance ratings do not include the effects of birdscreen in the airstream.

The sound ratings shown are loudness values in fan sones @ 5' (1.5m) in a hemispherical free field calculated per AMCA Standard 301. Values shown are for Installation Type A-free inlet fan sone levels.

Speed (RPM) shown is nominal. Performance is based on actual speed of test.

Fan RPM performances may vary from actual current motor offerings for any given model. See Optimizer2 fan selection software for current motor RPM offerings



JencoFan, Div. of Soler & Palau Ventilation Group, certifies that the Models STXD shown herein are licensed to bear the AMCA Seal. The ratings shown are based on test and procedures performed in accordance with AMCA Publication 211 and AMCA Publication 311 and comply with the requirement of the AMCA Certified Ratings Program.



STANDARD 705 for Electrical
STANDARD 762 for Grease Removal



SIZE 7

HP	RPM		Static Pressure in Inches w.g.						
			0	.125	.25	.375	.5	.625	.75
1/10	900	CFM	242	150	-	-	-	-	-
		BHP	0.00	0.01	-	-	-	-	-
		Sones	2.4	1.9	-	-	-	-	-
1/10	1050	CFM	283	209	104	-	-	-	-
		BHP	0.01	0.01	0.01	-	-	-	-
		Sones	3.3	2.7	3.1	-	-	-	-
1/10	1200	CFM	323	261	182	83	-	-	-
		BHP	0.01	0.01	0.02	0.02	-	-	-
		Sones	4.2	3.7	3.8	4.2	-	-	-
1/10	1350	CFM	363	310	244	163	78	-	-
		BHP	0.01	0.02	0.02	0.02	0.02	-	-
		Sones	5.3	4.9	4.8	5.1	5.5	-	-
1/10	1500	CFM	404	356	302	236	155	82	-
		BHP	0.02	0.02	0.03	0.03	0.03	0.03	-
		Sones	6.5	6.1	6.0	6.0	6.3	6.7	-
1/10	1650	CFM	437	394	345	287	223	145	80
		BHP	0.02	0.03	0.03	0.04	0.04	0.04	0.04
		Sones	7.7	7.1	6.9	6.8	7.0	7.3	7.8

Performance certified is for installation type A-free inlet, free outlet.
 Performance ratings do not include the effects of birdscreen in the airstream.
 The sound ratings shown are loudness values in fan sones @ 5' (1.5m) in a hemispherical free field calculated per AMCA Standard 301. Values shown are for Installation Type A-free inlet fan sone levels.

Speed (RPM) shown is nominal. Performance is based on actual speed of test.

Fan RPM performances may vary from actual current motor offerings for any given model. See Optimizer2 fan selection software for current motor RPM offerings



JencoFan, Div. of Soler & Palau Ventilation Group, certifies that the Models STXD shown herein are licensed to bear the AMCA Seal. The ratings shown are based on test and procedures performed in accordance with AMCA Publication 211 and AMCA Publication 311 and comply with the requirement of the AMCA Certified Ratings Program.



STANDARD 705 for Electrical
STANDARD 762 for Grease Removal



SIZE 8

HP	RPM		Static Pressure in Inches w.g.							
			0	.125	.25	.375	.5	.625	.75	.875
1/25	700	CFM	379	205	-	-	-	-	-	-
		BHP	0.01	0.01	-	-	-	-	-	-
		Sones	2.3	1.6	-	-	-	-	-	-
1/25	850	CFM	460	342	-	-	-	-	-	-
		BHP	0.01	0.02	-	-	-	-	-	-
		Sones	3.4	3.1	-	-	-	-	-	-
1/25	1000	CFM	542	446	307	-	-	-	-	-
		BHP	0.02	0.02	0.03	-	-	-	-	-
		Sones	4.9	4.5	3.9	-	-	-	-	-
1/25	1150	CFM	612	531	427	-	-	-	-	-
		BHP	0.03	0.03	0.04	-	-	-	-	-
		Sones	6.6	6.0	5.7	-	-	-	-	-
1/10	1200	CFM	680	587	465	302	-	-	-	-
		BHP	0.03	0.04	0.05	0.04	-	-	-	-
		Sones	6.6	5.8	5.1	4.8	-	-	-	-
1/10	1250	CFM	708	620	507	366	-	-	-	-
		BHP	0.03	0.04	0.05	0.05	-	-	-	-
		Sones	7.1	6.4	5.5	5.3	-	-	-	-
1/10	1300	CFM	736	653	550	421	228	-	-	-
		BHP	0.04	0.05	0.06	0.06	0.05	-	-	-
		Sones	7.7	6.9	6.1	5.8	5.6	-	-	-
1/10	1350	CFM	765	686	591	469	299	-	-	-
		BHP	0.04	0.05	0.06	0.07	0.06	-	-	-
		Sones	8.3	7.5	6.7	6.3	6.1	-	-	-
1/10	1400	CFM	793	717	628	512	368	174	-	-
		BHP	0.05	0.06	0.07	0.08	0.07	0.05	-	-
		Sones	8.9	8.1	7.3	6.8	6.6	6.5	-	-
1/10	1450	CFM	821	749	663	554	430	250	-	-
		BHP	0.05	0.06	0.08	0.08	0.08	0.06	-	-
		Sones	9.5	8.7	8.0	7.3	7.1	7.0	-	-
1/10	1500	CFM	850	780	697	594	485	321	-	-
		BHP	0.06	0.07	0.08	0.09	0.09	0.08	-	-
		Sones	10.2	9.5	8.6	7.8	7.7	7.5	-	-
1/10	1550	CFM	878	811	731	637	533	391	216	-
		BHP	0.06	0.08	0.09	0.10	0.10	0.09	0.07	-
		Sones	10.8	9.9	9.2	8.2	8.0	7.9	7.8	-
1/10	1600	CFM	906	842	765	680	577	456	291	-
		BHP	0.07	0.08	0.10	0.11	0.11	0.11	0.09	-
		Sones	11.2	10.4	9.8	8.7	8.4	8.3	8.2	-
1/10	1650	CFM	877	810	729	636	531	389	213	-
		BHP	0.06	0.08	0.09	0.10	0.10	0.09	0.07	-
		Sones	11.7	10.9	10.3	9.3	8.8	8.7	8.6	-
1/4	1700	CFM	904	849	797	736	669	586	443	182
		BHP	0.09	0.10	0.11	0.12	0.12	0.13	0.12	0.08
		Sones	10.8	10.5	10.3	9.7	9.2	8.8	8.3	8.0
1/4	1750	CFM	935	881	832	773	712	636	536	312
		BHP	0.09	0.11	0.12	0.13	0.13	0.14	0.14	0.11
		Sones	11.4	10.9	10.8	10.2	9.7	9.2	8.8	8.4



JencoFan, Div. of Soler & Palau Ventilation Group, certifies that the Models STXD shown herein are licensed to bear the AMCA Seal. The ratings shown are based on test and procedures performed in accordance with AMCA Publication 211 and AMCA Publication 311 and comply with the requirement of the AMCA Certified Ratings Program.



STANDARD 705 for Electrical
STANDARD 762 for Grease Removal

Performance certified is for installation type A-free inlet, free outlet.
Performance ratings do not include the effects of birdscreen in the airstream.
The sound ratings shown are loudness values in fan sones @ 5' (1.5m) in a hemispherical free field calculated per AMCA Standard 301. Values shown are for Installation Type A-free inlet fan sone levels.

Speed (RPM) shown is nominal. Performance is based on actual speed of test.

Fan RPM performances may vary from actual current motor offerings for any given model. See Optimizer2 fan selection software for current motor RPM offerings



SIZE 10

HP	RPM		Static Pressure in Inches w.g.								
			0	.125	.25	.375	.5	.625	.75	.875	1
1/4	700	CFM	587	410	-	-	-	-	-	-	-
		BHP	0.02	0.03	-	-	-	-	-	-	-
		Sones	3.2	2.4	-	-	-	-	-	-	-
1/4	850	CFM	712	575	377	-	-	-	-	-	-
		BHP	0.04	0.04	0.05	-	-	-	-	-	-
		Sones	4.8	4.1	3.5	-	-	-	-	-	-
1/4	1000	CFM	838	726	591	360	-	-	-	-	-
		BHP	0.06	0.07	0.08	0.07	-	-	-	-	-
		Sones	6.5	5.8	5.4	4.8	-	-	-	-	-
1/4	1150	CFM	979	886	777	657	452	-	-	-	-
		BHP	0.09	0.10	0.11	0.12	0.12	-	-	-	-
		Sones	8.4	7.7	7.2	6.8	6.3	-	-	-	-
1/3	1200	CFM	1005	914	810	693	533	-	-	-	-
		BHP	0.07	0.08	0.09	0.09	0.09	-	-	-	-
		Sones	7.9	7.5	7.2	6.9	6.7	-	-	-	-
1/3	1250	CFM	1046	960	861	753	620	355	-	-	-
		BHP	0.08	0.09	0.10	0.10	0.11	0.10	-	-	-
		Sones	8.5	8.1	7.8	7.5	7.3	7.1	-	-	-
1/3	1300	CFM	1088	1006	911	811	691	499	-	-	-
		BHP	0.09	0.10	0.11	0.12	0.12	0.12	-	-	-
		Sones	9.1	8.7	8.4	8.1	7.9	7.7	-	-	-
1/3	1350	CFM	1130	1051	960	866	756	613	324	-	-
		BHP	0.10	0.11	0.12	0.13	0.13	0.13	0.12	-	-
		Sones	9.8	9.4	9.1	8.8	8.5	8.3	8.2	-	-
1/3	1400	CFM	1172	1096	1010	920	818	697	481	-	-
		BHP	0.12	0.12	0.13	0.14	0.15	0.15	0.14	-	-
		Sones	10.5	10.1	9.7	9.4	9.2	9.0	8.8	-	-
1/3	1450	CFM	1214	1141	1059	972	877	767	609	322	-
		BHP	0.13	0.13	0.14	0.15	0.16	0.17	0.16	0.14	-
		Sones	11.2	10.8	10.4	10.2	9.9	9.7	9.5	9.3	-
1/3	1500	CFM	1256	1186	1107	1023	935	834	710	484	-
		BHP	0.14	0.15	0.16	0.17	0.18	0.18	0.18	0.17	-
		Sones	11.9	11.5	11.2	10.9	10.7	10.4	10.2	10.0	-
1/3	1550	CFM	1298	1230	1155	1073	991	896	788	620	344
		BHP	0.16	0.16	0.17	0.18	0.19	0.20	0.20	0.20	0.17
		Sones	12.4	12.1	11.7	11.4	11.2	11.0	10.8	10.6	10.4
1/3	1600	CFM	1340	1275	1202	1123	1045	955	856	731	507
		BHP	0.17	0.18	0.19	0.20	0.21	0.22	0.22	0.22	0.21
		Sones	13.0	12.6	12.2	12.0	11.7	11.5	11.3	11.1	10.9
1/3	1650	CFM	1381	1319	1249	1173	1097	1014	922	815	645
		BHP	0.19	0.19	0.20	0.22	0.23	0.24	0.24	0.25	0.24
		Sones	13.6	13.2	12.8	12.5	12.3	12.0	11.8	11.7	11.5
1/3	1700	CFM	1445	1385	1319	1248	1175	1100	1015	922	809
		BHP	0.22	0.22	0.23	0.24	0.26	0.27	0.27	0.28	0.28
		Sones	14.2	13.8	13.4	13.1	12.8	12.6	12.4	12.2	12.0



JencoFan, Div. of Soler & Palau Ventilation Group, certifies that the Models STXD shown herein are licensed to bear the AMCA Seal. The ratings shown are based on test and procedures performed in accordance with AMCA Publication 211 and AMCA Publication 311 and comply with the requirement of the AMCA Certified Ratings Program.



STANDARD 705 for Electrical
STANDARD 762 for Grease Removal

Performance certified is for installation type A-free inlet, free outlet. Performance ratings do not include the effects of birdscreen in the airstream. The sound ratings shown are loudness values in fan sones @ 5' (1.5m) in a hemispherical free field calculated per AMCA Standard 301. Values shown are for Installation Type A-free inlet fan sone levels.

Speed (RPM) shown is nominal. Performance is based on actual speed of test.

Fan RPM performances may vary from actual current motor offerings for any given model. See Optimizer2 fan selection software for current motor RPM offerings



SIZE 12

HP	RPM		Static Pressure in Inches w.g.									
			0	.125	.25	.375	.5	.625	.75	.875	1	1.25
1/4	900	CFM	998	833	642	-	-	-	-	-	-	-
		BHP	0.05	0.06	0.07	-	-	-	-	-	-	-
		Sones	5.7	5.3	5.0	-	-	-	-	-	-	-
1/4	950	CFM	1053	897	729	470	-	-	-	-	-	-
		BHP	0.06	0.08	0.08	0.08	-	-	-	-	-	-
		Sones	6.2	5.9	5.7	5.3	-	-	-	-	-	-
1/4	1000	CFM	1109	959	808	601	-	-	-	-	-	-
		BHP	0.08	0.09	0.09	0.10	-	-	-	-	-	-
		Sones	6.8	6.5	6.3	5.9	-	-	-	-	-	-
1/4	1050	CFM	1164	1021	883	697	-	-	-	-	-	-
		BHP	0.09	0.10	0.11	0.11	-	-	-	-	-	-
		Sones	7.4	7.2	6.9	6.6	-	-	-	-	-	-
1/4	1100	CFM	1220	1083	953	782	552	-	-	-	-	-
		BHP	0.10	0.11	0.12	0.13	0.13	-	-	-	-	-
		Sones	8.1	7.8	7.6	7.3	6.9	-	-	-	-	-
1/4	1150	CFM	1284	1155	1031	883	701	-	-	-	-	-
		BHP	0.12	0.13	0.14	0.15	0.15	-	-	-	-	-
		Sones	8.7	8.5	8.2	7.9	7.6	-	-	-	-	-
1/2	1200	CFM	1337	1218	1091	955	795	524	-	-	-	-
		BHP	0.10	0.11	0.12	0.13	0.14	0.13	-	-	-	-
		Sones	8.8	8.5	8.2	7.7	7.5	7.3	-	-	-	-
1/2	1250	CFM	1393	1278	1157	1030	883	681	-	-	-	-
		BHP	0.11	0.12	0.13	0.14	0.15	0.15	-	-	-	-
		Sones	9.5	9.2	8.9	8.4	8.1	7.9	-	-	-	-
1/2	1300	CFM	1449	1338	1223	1103	967	806	522	-	-	-
		BHP	0.12	0.14	0.15	0.16	0.17	0.17	0.16	-	-	-
		Sones	10.2	9.9	9.6	9.1	8.8	8.6	8.4	-	-	-
1/2	1350	CFM	1505	1397	1288	1174	1047	904	690	-	-	-
		BHP	0.14	0.15	0.17	0.18	0.19	0.19	0.19	-	-	-
		Sones	10.9	10.6	10.2	9.9	9.5	9.3	9.0	-	-	-
1/2	1400	CFM	1560	1456	1353	1242	1125	991	828	-	-	-
		BHP	0.15	0.17	0.18	0.20	0.21	0.21	0.22	-	-	-
		Sones	11.6	11.3	11.0	10.6	10.2	10.0	9.8	-	-	-
1/2	1450	CFM	1616	1515	1417	1310	1200	1076	936	-	-	-
		BHP	0.17	0.19	0.20	0.21	0.23	0.23	0.24	-	-	-
		Sones	12.4	12.1	11.7	11.4	11.0	10.8	10.5	-	-	-
1/2	1500	CFM	1672	1573	1481	1376	1273	1156	1028	863	-	-
		BHP	0.19	0.20	0.22	0.23	0.25	0.26	0.26	0.26	-	-
		Sones	13.1	12.8	12.5	12.1	11.8	11.5	11.3	11.1	-	-
1/2	1550	CFM	1727	1632	1543	1442	1343	1234	1114	979	769	-
		BHP	0.21	0.22	0.24	0.26	0.27	0.28	0.29	0.29	0.29	-
		Sones	13.8	13.4	13.1	12.7	12.4	12.1	11.9	11.7	11.5	-
1/2	1600	CFM	1783	1690	1605	1508	1412	1310	1197	1075	913	-
		BHP	0.23	0.25	0.26	0.28	0.29	0.30	0.31	0.32	0.32	-
		Sones	14.4	14.0	13.7	13.4	13.1	12.7	12.5	12.3	12.1	-
1/2	1650	CFM	1839	1748	1665	1573	1480	1384	1277	1162	1032	-
		BHP	0.25	0.27	0.29	0.30	0.32	0.33	0.34	0.35	0.35	-
		Sones	15.0	14.7	14.3	14.0	13.7	13.4	13.1	12.9	12.7	-
1/2	1700	CFM	1918	1831	1751	1665	1574	1485	1387	1282	1168	822
		BHP	0.28	0.30	0.32	0.34	0.35	0.37	0.38	0.39	0.40	0.39
		Sones	15.6	15.3	15.0	14.7	14.3	14.0	13.7	13.5	13.3	13.0



JencoFan, Div. of Soler & Palau Ventilation Group, certifies that the Models STXD shown herein are licensed to bear the AMCA Seal. The ratings shown are based on test and procedures performed in accordance with AMCA Publication 211 and AMCA Publication 311 and comply with the requirement of the AMCA Certified Ratings Program.



STANDARD 705 for Electrical
STANDARD 762 for Grease Removal

Performance certified is for installation type A-free inlet, free outlet. Performance ratings do not include the effects of birdscreen in the airstream. The sound ratings shown are loudness values in fan sones @ 5' (1.5m) in a hemispherical free field calculated per AMCA Standard 301. Values shown are for Installation Type A-free inlet fan sone levels.

Speed (RPM) shown is nominal. Performance is based on actual speed of test.

Fan RPM performances may vary from actual current motor offerings for any given model. See Optimizer2 fan selection software for current motor RPM offerings



SIZE 14

HP	RPM		Static Pressure in Inches w.g.										
			0	.125	.25	.375	.5	.625	.75	.875	1	1.25	1.5
1/4	750	CFM	1479	1246	930	-	-	-	-	-	-	-	-
		BHP	0.07	0.08	0.09	-	-	-	-	-	-	-	-
		Sones	6.4	5.7	5.1	-	-	-	-	-	-	-	-
1/4	850	CFM	1677	1481	1240	868	-	-	-	-	-	-	-
		BHP	0.10	0.12	0.12	0.12	-	-	-	-	-	-	-
		Sones	8.1	7.4	6.7	6.3	-	-	-	-	-	-	-
1/4	950	CFM	1874	1702	1500	1244	-	-	-	-	-	-	-
		BHP	0.14	0.16	0.17	0.17	-	-	-	-	-	-	-
		Sones	10.0	9.3	8.5	8.0	-	-	-	-	-	-	-
1/4	1100	CFM	2148	1998	1830	1651	1411	1077	-	-	-	-	-
		BHP	0.21	0.23	0.25	0.26	0.26	0.25	-	-	-	-	-
		Sones	13.2	12.4	11.7	11.0	10.5	10.2	-	-	-	-	-
1	1725	CFM	3426	3352	3272	3188	3099	3002	2899	2794	2686	2448	2125
		BHP	0.65	0.67	0.69	0.73	0.76	0.79	0.81	0.83	0.86	0.89	0.89
		Sones	23.9	23.1	22.2	21.5	21.1	20.7	20.4	20.1	19.9	19.3	18.8

Performance certified is for installation type A-free inlet, free outlet.

Performance ratings do not include the effects of birdscreen in the airstream.

The sound ratings shown are loudness values in fan sones @ 5' (1.5m) in a hemispherical free field calculated per AMCA Standard 301. Values shown are for Installation Type A-free inlet fan sone levels.

Speed (RPM) shown is nominal. Performance is based on actual speed of test.

Fan RPM performances may vary from actual current motor offerings for any given model. See Optimizer2 fan selection software for current motor RPM offerings



JencoFan, Div. of Soler & Palau Ventilation Group, certifies that the Models STXD shown herein are licensed to bear the AMCA Seal. The ratings shown are based on test and procedures performed in accordance with AMCA Publication 211 and AMCA Publication 311 and comply with the requirement of the AMCA Certified Ratings Program.



STANDARD 705 for Electrical
STANDARD 762 for Grease Removal



SIZE 15

Motor HP	RPM		Static Pressure in Inches w.g.											
			0	0.125	0.25	0.375	0.5	0.625	0.75	0.875	1	1.25	1.5	1.75
1/2	750	CFM	1719	1515	1258	800	-	-	-	-	-	-	-	-
		BHP	0.08	0.09	0.10	0.10	-	-	-	-	-	-	-	-
		Sones	6.8	6.1	5.4	4.8	-	-	-	-	-	-	-	-
1/2	800	CFM	1834	1647	1404	1124	-	-	-	-	-	-	-	-
		BHP	0.10	0.11	0.12	0.13	-	-	-	-	-	-	-	-
		Sones	7.6	7.0	6.2	5.7	-	-	-	-	-	-	-	-
1/2	850	CFM	1948	1772	1548	1315	-	-	-	-	-	-	-	-
		BHP	0.11	0.13	0.14	0.15	-	-	-	-	-	-	-	-
		Sones	8.5	7.9	7.1	6.5	-	-	-	-	-	-	-	-
1/2	900	CFM	2063	1895	1691	1484	1194	-	-	-	-	-	-	-
		BHP	0.14	0.16	0.17	0.18	0.19	-	-	-	-	-	-	-
		Sones	9.4	8.7	8.1	7.4	6.9	-	-	-	-	-	-	-
1/2	950	CFM	2178	2016	1833	1634	1398	-	-	-	-	-	-	-
		BHP	0.16	0.18	0.19	0.21	0.22	-	-	-	-	-	-	-
		Sones	10.3	9.7	9.1	8.4	7.9	-	-	-	-	-	-	-
1/2	1000	CFM	2292	2137	1974	1778	1584	1301	-	-	-	-	-	-
		BHP	0.19	0.21	0.22	0.24	0.25	0.25	-	-	-	-	-	-
		Sones	11.3	10.7	10.1	9.4	8.8	8.4	-	-	-	-	-	-
1/2	1050	CFM	2407	2256	2113	1922	1747	1514	-	-	-	-	-	-
		BHP	0.22	0.24	0.26	0.27	0.29	0.29	-	-	-	-	-	-
		Sones	12.4	11.8	11.2	10.5	9.8	9.4	-	-	-	-	-	-
1/2	1100	CFM	2522	2375	2248	2065	1896	1707	1451	-	-	-	-	-
		BHP	0.25	0.27	0.29	0.31	0.32	0.33	0.34	-	-	-	-	-
		Sones	13.4	12.9	12.3	11.6	11.0	10.4	9.9	-	-	-	-	-
1/2	1150	CFM	2643	2501	2384	2215	2048	1887	1670	1298	-	-	-	-
		BHP	0.29	0.31	0.33	0.35	0.37	0.38	0.39	0.38	-	-	-	-
		Sones	14.6	14.0	13.5	12.8	12.1	11.5	11.0	10.6	-	-	-	-
1-1/2	1750	CFM	3997	3900	3806	3717	3628	3535	3436	3336	3237	3027	2781	2492
		BHP	0.78	0.82	0.86	0.90	0.94	0.97	1.01	1.04	1.08	1.13	1.18	1.21
		Sones	26.2	25.7	25.2	24.7	24.5	24.2	23.8	23.4	23.0	22.3	21.9	21.6

Performance certified is for installation type A-free inlet, free outlet.

Performance ratings do not include the effects of birdscreen in the airstream.

The sound ratings shown are loudness values in fan sones @ 5' (1.5m) in a hemispherical free field calculated per AMCA Standard 301. Values shown are for Installation Type A-free inlet fan sone levels.

Speed (RPM) shown is nominal. Performance is based on actual speed of test.

Fan RPM performances may vary from actual current motor offerings for any given model. See Optimizer2 fan selection software for current motor RPM offerings



JencoFan, Div. of Soler & Palau Ventilation Group, certifies that the Models STXD shown herein are licensed to bear the AMCA Seal. The ratings shown are based on test and procedures performed in accordance with AMCA Publication 211 and AMCA Publication 311 and comply with the requirement of the AMCA Certified Ratings Program.



STANDARD 705 for Electrical
STANDARD 762 for Grease Removal



SIZE 16

Motor HP	RPM		Static Pressure in Inches w.g.											
			0	0.125	0.25	0.375	0.5	0.625	0.75	0.875	1	1.25	1.5	1.75
1/2	750	CFM	2108	1894	1633	1272	-	-	-	-	-	-	-	-
		BHP	0.11	0.13	0.14	0.14	-	-	-	-	-	-	-	-
		Sones	7.9	7.7	6.7	6.3	-	-	-	-	-	-	-	-
1/2	800	CFM	2248	2048	1815	1515	-	-	-	-	-	-	-	-
		BHP	0.14	0.15	0.17	0.17	-	-	-	-	-	-	-	-
		Sones	8.6	8.4	7.6	7.0	-	-	-	-	-	-	-	-
1/2	850	CFM	2389	2200	1989	1730	1375	-	-	-	-	-	-	-
		BHP	0.16	0.18	0.20	0.20	0.21	-	-	-	-	-	-	-
		Sones	9.4	9.3	8.5	7.6	7.6	-	-	-	-	-	-	-
1/2	900	CFM	2529	2351	2159	1930	1637	-	-	-	-	-	-	-
		BHP	0.20	0.21	0.23	0.24	0.25	-	-	-	-	-	-	-
		Sones	10.1	9.9	9.3	8.5	8.2	-	-	-	-	-	-	-
1/2	950	CFM	2670	2500	2324	2117	1865	1535	-	-	-	-	-	-
		BHP	0.23	0.25	0.27	0.28	0.29	0.29	-	-	-	-	-	-
		Sones	10.9	10.7	10.2	9.3	8.8	8.9	-	-	-	-	-	-
1/2	1000	CFM	2810	2649	2486	2295	2074	1799	-	-	-	-	-	-
		BHP	0.27	0.29	0.31	0.33	0.33	0.34	-	-	-	-	-	-
		Sones	11.8	11.6	11.3	10.3	9.6	9.5	-	-	-	-	-	-
1/2	1050	CFM	2951	2796	2645	2467	2270	2032	1739	-	-	-	-	-
		BHP	0.31	0.33	0.35	0.37	0.38	0.39	0.39	-	-	-	-	-
		Sones	12.7	12.5	12.3	11.4	10.6	10.1	10.3	-	-	-	-	-
1/2	1100	CFM	3091	2944	2800	2636	2455	2245	1994	-	-	-	-	-
		BHP	0.36	0.38	0.40	0.42	0.44	0.44	0.45	-	-	-	-	-
		Sones	13.6	13.5	13.3	12.5	11.7	11.1	11.1	-	-	-	-	-
1/2	1150	CFM	3187	3043	2904	2749	2577	2383	2154	1877	-	-	-	-
		BHP	0.39	0.41	0.44	0.46	0.48	0.48	0.49	0.49	-	-	-	-
		Sones	14.6	14.4	14.2	13.7	12.9	12.4	12.0	12.2	-	-	-	-
1-1/2	1750	CFM	4781	4687	4591	4494	4396	4295	4192	4084	3973	3737	3489	3175
		BHP	1.20	1.24	1.28	1.32	1.35	1.39	1.42	1.45	1.48	1.55	1.60	1.63
		Sones	29.3	29.3	29.2	29.1	29.1	29.0	28.6	27.8	27.2	25.9	24.7	24.2

Performance certified is for installation type A-free inlet, free outlet.

Performance ratings do not include the effects of birdscreen in the airstream.

The sound ratings shown are loudness values in fan sones @ 5' (1.5m) in a hemispherical free field calculated per AMCA Standard 301. Values shown are for Installation Type A-free inlet fan sone levels.

Speed (RPM) shown is nominal. Performance is based on actual speed of test.

Fan RPM performances may vary from actual current motor offerings for any given model. See Optimizer2 fan selection software for current motor RPM offerings



JencoFan, Div. of Soler & Palau Ventilation Group, certifies that the Models STXD shown herein are licensed to bear the AMCA Seal. The ratings shown are based on test and procedures performed in accordance with AMCA Publication 211 and AMCA Publication 311 and comply with the requirement of the AMCA Certified Ratings Program.



STANDARD 705 for Electrical
STANDARD 762 for Grease Removal



CONSTRUCTION/SPECIFICATION CHECKLIST

Housing

- Curb cap with integral deep single piece spun inlet for efficient performance and prevention of leakage into ductwork.
- Lifting lugs for easy and safe placement of the fan on the roof.
- Heavy-gauge aluminum housing and curb cap for strength and rigidity. Curb cap is galvanized steel on all UL 762 units.
- Adjustable motor base for proper belt tension and ease of adjustment.
- Enclosed ventilated motor/drive compartment isolates motor and drives from exhaust air.
- Neoprene isolators for reduction of vibration and sound.
- Quick-Release latches on motor cover for easy access to motor compartment.
- Water-tight conduit tube for easy electrical connection without having to wire through the breather tube.
- NFPA - Model STXB is suitable for National Fire Protection Association installations. Contact factory for required accessories.

Centrifugal Wheel

- All aluminum wheel.
- Backward-inclined for efficiency at higher static pressure.
- Non-overloading for safe operation in ducted systems.
- Curved blades for efficiency and quiet operation.
- Dynamically balanced for smooth operation.

Motors

- Brands are nationally recognized and locally serviced.
- Single speed drip-proof motors are provided on standard models.
- Disconnect switch is standard with single speed open drip-proof and totally enclosed motors.
- Welded motor brackets designed for maximum strength.

Drives

- Sized for minimum 150% of drive horse power.
- Machined cast iron adjustable motor pulleys.
- Adjustable base for belt tensioning.
- Nonstatic oil resistant V-Belts.

Bearings

- 5 year bearing warranty.
- Heavy-duty ball bearing type.
- Air handling with grease fittings.
- Sized for a minimum L50 life in excess of 200,000 hours.

AMCA Seal

- Assures accuracy of Air and Sound Performance.

cULus Label

- cULus 705 Listed Power Roof Ventilator label assures electrical reliability.
- cUL762us Listed for Restaurant Exhaust Appliance available for applications where required.



SIZE 8

Motor HP	RPM		Static Pressure in Inches w.g.								
			0	0.125	0.25	0.375	0.5	0.625	0.75	0.875	1
1/4	700	CFM	376	201	-	-	-	-	-	-	-
		BHP	0.01	0.01	-	-	-	-	-	-	-
		Sones	2.1	1.3	-	-	-	-	-	-	-
1/4	800	CFM	430	302	-	-	-	-	-	-	-
		BHP	0.02	0.02	-	-	-	-	-	-	-
		Sones	2.9	2.2	-	-	-	-	-	-	-
1/4	900	CFM	483	377	-	-	-	-	-	-	-
		BHP	0.02	0.03	-	-	-	-	-	-	-
		Sones	3.9	3.0	-	-	-	-	-	-	-
1/4	1000	CFM	537	443	301	-	-	-	-	-	-
		BHP	0.03	0.03	0.04	-	-	-	-	-	-
		Sones	4.7	3.8	3.3	-	-	-	-	-	-
1/4	1100	CFM	591	507	400	-	-	-	-	-	-
		BHP	0.04	0.04	0.05	-	-	-	-	-	-
		Sones	5.6	4.8	4.3	-	-	-	-	-	-
1/4	1200	CFM	645	569	482	322	-	-	-	-	-
		BHP	0.05	0.06	0.06	0.06	-	-	-	-	-
		Sones	6.5	5.8	5.4	5.0	-	-	-	-	-
1/4	1300	CFM	698	629	552	445	-	-	-	-	-
		BHP	0.06	0.07	0.08	0.08	-	-	-	-	-
		Sones	7.5	6.9	6.5	6.1	-	-	-	-	-
1/4	1400	CFM	752	687	618	535	402	-	-	-	-
		BHP	0.08	0.09	0.09	0.10	0.10	-	-	-	-
		Sones	8.7	8.1	7.7	7.3	6.9	-	-	-	-
1/4	1500	CFM	806	744	682	612	512	-	-	-	-
		BHP	0.10	0.11	0.11	0.12	0.12	-	-	-	-
		Sones	10.0	9.5	9.0	8.6	8.2	-	-	-	-
1/4	1600	CFM	859	801	745	682	604	500	-	-	-
		BHP	0.12	0.13	0.13	0.14	0.15	0.15	-	-	-
		Sones	11.0	10.4	10.0	9.5	9.2	8.8	-	-	-
1/4	1700	CFM	913	857	807	748	683	595	462	-	-
		BHP	0.14	0.15	0.16	0.16	0.17	0.17	0.17	-	-
		Sones	12.0	11.5	11.0	10.5	10.2	9.8	9.6	-	-
1/4	1800	CFM	967	914	867	812	755	685	595	415	-
		BHP	0.17	0.18	0.19	0.19	0.20	0.21	0.21	0.20	-
		Sones	13.0	12.5	12.0	11.6	11.2	10.9	10.5	10.2	-
1/4	1900	CFM	1021	970	926	875	822	763	687	599	-
		BHP	0.20	0.21	0.22	0.22	0.23	0.24	0.24	0.24	-
		Sones	14.1	13.4	13.0	12.6	12.2	11.9	11.6	11.4	-
1/3	2000	CFM	1074	1026	983	938	887	835	773	693	601
		BHP	0.23	0.24	0.25	0.26	0.27	0.28	0.28	0.28	0.28
		Sones	15.2	14.4	14.0	13.6	13.3	13.0	12.7	12.5	12.2
1/3	2100	CFM	1128	1081	1041	999	951	903	850	785	705
		BHP	0.27	0.28	0.29	0.30	0.30	0.31	0.32	0.33	0.33
		Sones	16.4	15.7	15.0	14.6	14.3	14.0	13.8	13.6	13.4

Power Ratings (BHP) does not include transmission losses.
 Performance certified is for installation type A - free inlet, free outlet.
 Performance ratings do not include the effects of birdscreen in the airstream.
 The sound ratings shown are loudness values in fan sones @ 5' (1.5m) in a hemispherical free field calculated per AMCA Standard 301. Values shown are for: Installation Type A: free inlet hemispherical sone levels.



JencoFan, Div. of Soler & Palau Ventilation Group, certifies that the Models STXB shown herein are licensed to bear the AMCA Seal. The ratings shown are based on test and procedures performed in accordance with AMCA Publication 211 and AMCA Publication 311 and comply with the requirement of the AMCA Certified Ratings Program.



STANDARD 705 for Electrical
STANDARD 762 for Grease Removal



SIZE 10

Motor HP	RPM		Static Pressure in Inches w.g.								
			0	0.125	0.25	0.375	0.5	0.625	0.75	0.875	1
1/4	650	CFM	545	348	-	-	-	-	-	-	-
		BHP	0.01	0.02	-	-	-	-	-	-	-
		Sones	2.6	2.0	-	-	-	-	-	-	-
1/4	750	CFM	629	468	-	-	-	-	-	-	-
		BHP	0.02	0.03	-	-	-	-	-	-	-
		Sones	3.6	2.9	-	-	-	-	-	-	-
1/4	850	CFM	713	575	384	-	-	-	-	-	-
		BHP	0.03	0.04	0.04	-	-	-	-	-	-
		Sones	4.6	3.9	3.6	-	-	-	-	-	-
1/4	950	CFM	797	675	533	-	-	-	-	-	-
		BHP	0.04	0.05	0.05	-	-	-	-	-	-
		Sones	5.5	4.9	4.5	-	-	-	-	-	-
1/4	1050	CFM	881	771	651	488	-	-	-	-	-
		BHP	0.06	0.06	0.07	0.07	-	-	-	-	-
		Sones	6.5	6.0	5.6	5.4	-	-	-	-	-
1/4	1150	CFM	965	864	758	636	-	-	-	-	-
		BHP	0.07	0.08	0.09	0.10	-	-	-	-	-
		Sones	7.6	7.2	6.7	6.5	-	-	-	-	-
1/4	1250	CFM	1049	958	862	757	628	-	-	-	-
		BHP	0.09	0.10	0.11	0.12	0.12	-	-	-	-
		Sones	8.9	8.5	8.0	7.7	7.5	-	-	-	-
1/4	1350	CFM	1132	1050	961	866	762	619	-	-	-
		BHP	0.12	0.13	0.14	0.15	0.15	0.16	-	-	-
		Sones	10.2	9.9	9.4	8.9	8.8	8.7	-	-	-
1/4	1450	CFM	1216	1141	1057	973	881	774	610	-	-
		BHP	0.14	0.16	0.17	0.18	0.19	0.19	0.19	-	-
		Sones	11.7	11.4	10.9	10.4	10.2	10.0	9.9	-	-
1/4	1550	CFM	1300	1230	1151	1076	991	902	797	615	-
		BHP	0.18	0.19	0.20	0.21	0.22	0.23	0.24	0.23	-
		Sones	13.1	12.7	12.3	11.9	11.5	11.3	11.2	11.0	-
1/3	1650	CFM	1384	1319	1245	1174	1098	1018	930	825	638
		BHP	0.21	0.23	0.24	0.25	0.26	0.27	0.28	0.29	0.28
		Sones	14.3	13.9	13.5	13.1	12.6	12.4	12.3	12.1	12.0
1/3	1750	CFM	1468	1407	1338	1270	1201	1126	1050	962	860
		BHP	0.25	0.27	0.28	0.29	0.30	0.32	0.33	0.34	0.34
		Sones	15.5	15.1	14.8	14.4	13.9	13.5	13.4	13.3	13.2

Power Ratings (BHP) does not include transmission losses.
 Performance certified is for installation type A - free inlet, free outlet.
 Performance ratings do not include the effects of birdscreen in the airstream.
 The sound ratings shown are loudness values in fan sones @ 5' (1.5m) in a hemispherical free field calculated per AMCA Standard 301. Values shown are for: Installation Type A: free inlet hemispherical sone levels.



JencoFan, Div. of Soler & Palau Ventilation Group, certifies that the Models STXB shown herein are licensed to bear the AMCA Seal. The ratings shown are based on test and procedures performed in accordance with AMCA Publication 211 and AMCA Publication 311 and comply with the requirement of the AMCA Certified Ratings Program.



STANDARD 705 for Electrical
STANDARD 762 for Grease Removal



SIZE 12

Motor HP	RPM		Static Pressure in Inches w.g.									
			0	0.125	0.25	0.375	0.5	0.625	0.75	0.875	1	1.25
1/4	800	CFM	884	715	475	-	-	-	-	-	-	-
		BHP	0.03	0.04	0.04	-	-	-	-	-	-	-
		Sones	4.4	3.9	3.4	-	-	-	-	-	-	-
1/4	900	CFM	995	849	666	318	-	-	-	-	-	-
		BHP	0.05	0.06	0.06	0.06	-	-	-	-	-	-
		Sones	5.5	4.9	4.5	4.0	-	-	-	-	-	-
1/4	1000	CFM	1105	972	821	626	-	-	-	-	-	-
		BHP	0.06	0.07	0.08	0.09	-	-	-	-	-	-
		Sones	6.6	6.0	5.6	5.1	-	-	-	-	-	-
1/4	1100	CFM	1216	1092	967	811	595	-	-	-	-	-
		BHP	0.08	0.09	0.11	0.11	0.11	-	-	-	-	-
		Sones	7.7	7.2	6.8	6.5	6.1	-	-	-	-	-
1/4	1200	CFM	1326	1214	1108	969	813	-	-	-	-	-
		BHP	0.11	0.12	0.13	0.14	0.15	-	-	-	-	-
		Sones	8.9	8.5	8.1	7.8	7.4	-	-	-	-	-
1/4	1300	CFM	1437	1333	1235	1115	986	827	-	-	-	-
		BHP	0.14	0.15	0.17	0.18	0.18	0.19	-	-	-	-
		Sones	10.3	9.9	9.5	9.2	8.8	8.5	-	-	-	-
1/4	1400	CFM	1547	1452	1357	1260	1140	1013	854	-	-	-
		BHP	0.17	0.18	0.20	0.22	0.22	0.23	0.24	-	-	-
		Sones	11.8	11.4	11.0	10.7	10.4	10.0	9.6	-	-	-
1/3	1500	CFM	1658	1569	1477	1396	1285	1177	1050	896	-	-
		BHP	0.21	0.22	0.24	0.26	0.27	0.28	0.29	0.29	-	-
		Sones	13.4	13.0	12.6	12.3	12.0	11.7	11.3	10.9	-	-
1/3	1600	CFM	1768	1686	1599	1522	1431	1326	1221	1098	950	-
		BHP	0.25	0.27	0.29	0.31	0.32	0.33	0.34	0.35	0.35	-
		Sones	14.7	14.2	13.8	13.5	13.2	13.0	12.6	12.3	11.9	-
1/2	1700	CFM	1879	1801	1720	1644	1570	1471	1375	1272	1155	822
		BHP	0.30	0.32	0.34	0.36	0.38	0.39	0.40	0.41	0.42	0.41
		Sones	16.0	15.6	15.2	14.8	14.6	14.3	14.0	13.7	13.3	12.7
1/2	1800	CFM	1989	1916	1840	1765	1698	1616	1520	1431	1331	1086
		BHP	0.36	0.38	0.40	0.42	0.44	0.46	0.47	0.48	0.49	0.50
		Sones	17.3	16.9	16.5	16.2	15.9	15.7	15.4	15.2	14.8	14.1

Power Ratings (BHP) does not include transmission losses.
 Performance certified is for installation type A - free inlet, free outlet.
 Performance ratings do not include the effects of birdscreen in the airstream.
 The sound ratings shown are loudness values in fan sones @ 5' (1.5m) in a hemispherical free field calculated per AMCA Standard 301. Values shown are for: Installation Type A: free inlet hemispherical sone levels.



JencoFan, Div. of Soler & Palau Ventilation Group, certifies that the Models STXB shown herein are licensed to bear the AMCA Seal. The ratings shown are based on test and procedures performed in accordance with AMCA Publication 211 and AMCA Publication 311 and comply with the requirement of the AMCA Certified Ratings Program.



STANDARD 705 for Electrical
 STANDARD 762 for Grease Removal



SIZE 14

Motor HP	RPM		Static Pressure in Inches w.g.										
			0	0.125	0.25	0.375	0.5	0.625	0.75	0.875	1	1.25	1.5
1/4	550	CFM	1111	808	-	-	-	-	-	-	-	-	-
		BHP	0.03	0.03	-	-	-	-	-	-	-	-	-
		Sones	3.3	2.3	-	-	-	-	-	-	-	-	-
1/4	650	CFM	1313	1081	-	-	-	-	-	-	-	-	
		BHP	0.04	0.05	-	-	-	-	-	-	-	-	
		Sones	4.5	3.7	-	-	-	-	-	-	-	-	
1/4	750	CFM	1515	1324	1062	-	-	-	-	-	-	-	
		BHP	0.06	0.08	0.09	-	-	-	-	-	-	-	
		Sones	6.0	5.4	4.7	-	-	-	-	-	-	-	
1/4	850	CFM	1717	1552	1344	1070	-	-	-	-	-	-	
		BHP	0.09	0.11	0.12	0.13	-	-	-	-	-	-	
		Sones	7.5	6.8	6.0	5.8	-	-	-	-	-	-	
1/4	950	CFM	1920	1775	1607	1392	1049	-	-	-	-	-	
		BHP	0.13	0.15	0.16	0.18	0.18	-	-	-	-	-	
		Sones	8.9	8.2	7.4	6.8	6.9	-	-	-	-	-	
1/4	1050	CFM	2122	1993	1847	1671	1472	-	-	-	-	-	
		BHP	0.17	0.20	0.21	0.23	0.24	-	-	-	-	-	
		Sones	10.3	9.6	9.0	8.5	8.1	-	-	-	-	-	
1/3	1150	CFM	2324	2208	2077	1934	1758	1573	-	-	-	-	
		BHP	0.23	0.25	0.27	0.29	0.31	0.32	-	-	-	-	
		Sones	11.8	11.3	10.9	10.3	9.8	9.6	-	-	-	-	
1/2	1250	CFM	2526	2421	2303	2178	2030	1865	1691	-	-	-	
		BHP	0.29	0.32	0.34	0.37	0.39	0.40	0.41	-	-	-	
		Sones	13.6	13.2	12.9	12.4	11.8	11.3	11.2	-	-	-	
1/2	1350	CFM	2728	2631	2525	2411	2289	2142	1987	1826	-	-	
		BHP	0.37	0.40	0.42	0.45	0.47	0.49	0.51	0.52	-	-	
		Sones	15.6	15.2	15.0	14.6	13.9	13.4	12.9	12.9	-	-	
3/4	1450	CFM	2930	2841	2743	2639	2530	2408	2267	2123	1975	-	
		BHP	0.46	0.49	0.52	0.54	0.57	0.59	0.61	0.63	0.64	-	
		Sones	17.7	17.3	17.1	16.9	16.3	15.7	15.2	14.6	14.7	-	
3/4	1550	CFM	3132	3049	2960	2863	2763	2658	2537	2405	2269	1947	
		BHP	0.56	0.59	0.62	0.65	0.68	0.71	0.73	0.75	0.77	0.78	
		Sones	19.6	19.4	19.1	18.8	18.4	17.8	17.3	16.8	16.3	16.6	
1	1650	CFM	3334	3256	3174	3085	2991	2897	2795	2676	2551	2298	1856
		BHP	0.68	0.71	0.74	0.77	0.80	0.83	0.86	0.89	0.91	0.94	0.92
		Sones	21.3	21.1	20.8	20.6	20.4	19.8	19.3	18.7	18.1	17.7	18.1

Power Ratings (BHP) does not include transmission losses.
 Performance certified is for installation type A - free inlet, free outlet.
 Performance ratings do not include the effects of birdscreen in the airstream.
 The sound ratings shown are loudness values in fan sones @ 5' (1.5m) in a hemispherical free field calculated per AMCA Standard 301. Values shown are for: Installation Type A: free inlet hemispherical sone levels.



JencoFan, Div. of Soler & Palau Ventilation Group, certifies that the Models STXB shown herein are licensed to bear the AMCA Seal. The ratings shown are based on test and procedures performed in accordance with AMCA Publication 211 and AMCA Publication 311 and comply with the requirement of the AMCA Certified Ratings Program.



STANDARD 705 for Electrical
STANDARD 762 for Grease Removal



SIZE 15

Motor HP	RPM		Static Pressure in Inches w.g.											
			0	0.125	0.25	0.375	0.5	0.625	0.75	0.875	1	1.25	1.5	1.75
1/4	700	CFM	1612	1394	1126	-	-	-	-	-	-	-	-	-
		BHP	0.06	0.07	0.09	-	-	-	-	-	-	-	-	-
		Sones	5.5	4.8	4.4	-	-	-	-	-	-	-	-	-
1/4	800	CFM	1842	1656	1448	1162	-	-	-	-	-	-	-	
		BHP	0.09	0.11	0.12	0.13	-	-	-	-	-	-	-	-
		Sones	6.9	6.3	5.8	5.8	-	-	-	-	-	-	-	-
1/4	900	CFM	2072	1910	1729	1524	1249	-	-	-	-	-	-	
		BHP	0.12	0.15	0.16	0.18	0.19	-	-	-	-	-	-	-
		Sones	8.3	7.7	7.2	7.0	7.0	-	-	-	-	-	-	-
1/4	1000	CFM	2302	2160	1998	1832	1627	1366	-	-	-	-	-	
		BHP	0.17	0.19	0.22	0.24	0.25	0.26	-	-	-	-	-	
		Sones	9.7	9.1	8.6	8.3	8.3	8.3	-	-	-	-	-	
1/3	1100	CFM	2533	2405	2260	2111	1953	1757	1519	-	-	-	-	
		BHP	0.22	0.25	0.28	0.30	0.32	0.34	0.34	-	-	-	-	
		Sones	11.4	10.7	10.2	9.9	9.6	9.7	10.5	-	-	-	-	
1/2	1200	CFM	2763	2648	2517	2382	2244	2091	1907	1694	1147	-	-	
		BHP	0.29	0.32	0.35	0.38	0.40	0.42	0.44	0.44	0.40	-	-	
		Sones	13.2	12.7	12.3	11.9	11.5	11.3	12.3	11.5	11.6	-	-	
3/4	1300	CFM	2993	2888	2770	2646	2519	2391	2244	2073	1876	-	-	
		BHP	0.37	0.40	0.43	0.46	0.49	0.51	0.54	0.56	0.56	-	-	
		Sones	15.2	14.8	14.4	14.0	13.6	13.3	14.1	13.3	13.4	-	-	
3/4	1400	CFM	3223	3126	3019	2905	2788	2671	2549	2410	2252	1850	-	
		BHP	0.46	0.50	0.53	0.56	0.59	0.62	0.65	0.68	0.70	0.70	-	
		Sones	17.4	17.0	16.7	16.3	15.9	15.6	16.4	15.2	15.3	15.5	-	
1	1500	CFM	3453	3363	3266	3160	3052	2943	2833	2718	2588	2279	1750	
		BHP	0.56	0.60	0.64	0.68	0.71	0.74	0.77	0.80	0.83	0.87	0.84	
		Sones	19.8	19.4	19.0	18.6	18.3	18.0	18.5	17.3	17.3	17.5	17.7	
1	1600	CFM	3684	3600	3510	3412	3311	3210	3107	3004	2895	2638	2325	1669
		BHP	0.68	0.73	0.77	0.81	0.84	0.88	0.91	0.94	0.97	1.04	1.05	0.98
		Sones	21.5	21.2	20.9	20.5	20.2	19.8	19.4	19.1	18.7	18.9	19.1	19.3

Power Ratings (BHP) does not include transmission losses.
 Performance certified is for installation type A - free inlet, free outlet.
 Performance ratings do not include the effects of birdscreen in the airstream.
 The sound ratings shown are loudness values in fan sones @ 5' (1.5m) in a hemispherical free field calculated per AMCA Standard 301. Values shown are for: Installation Type A: free inlet hemispherical sone levels.



JencoFan, Div. of Soler & Palau Ventilation Group, certifies that the Models STXB shown herein are licensed to bear the AMCA Seal. The ratings shown are based on test and procedures performed in accordance with AMCA Publication 211 and AMCA Publication 311 and comply with the requirement of the AMCA Certified Ratings Program.



STANDARD 705 for Electrical
STANDARD 762 for Grease Removal



SIZE 15 HIGH PRESSURE

Motor HP	RPM		Static Pressure in Inches w.g.												
			0.25	0.375	0.5	0.625	0.75	0.875	1	1.25	1.5	1.75	2	2.25	2.5
1/4	750	CFM	881	483	-	-	-	-	-	-	-	-	-	-	-
		BHP	0.07	0.07	-	-	-	-	-	-	-	-	-	-	-
		Sones	4.4	4.3	-	-	-	-	-	-	-	-	-	-	-
1/4	850	CFM	1110	908	439	-	-	-	-	-	-	-	-	-	
		BHP	0.10	0.11	0.10	-	-	-	-	-	-	-	-	-	
		Sones	5.9	5.5	5.4	-	-	-	-	-	-	-	-	-	
1/4	950	CFM	1324	1154	960	488	-	-	-	-	-	-	-	-	
		BHP	0.13	0.14	0.15	0.13	-	-	-	-	-	-	-	-	
		Sones	7.4	6.7	6.6	6.4	-	-	-	-	-	-	-	-	
1/4	1050	CFM	1523	1379	1221	1035	606	-	-	-	-	-	-	-	
		BHP	0.16	0.18	0.20	0.20	0.19	-	-	-	-	-	-	-	
		Sones	9.0	8.3	7.8	7.7	7.6	-	-	-	-	-	-	-	
1/4	1150	CFM	1713	1594	1454	1308	1133	767	-	-	-	-	-	-	
		BHP	0.21	0.23	0.25	0.26	0.27	0.25	-	-	-	-	-	-	
		Sones	10.6	9.9	9.3	8.9	8.8	8.7	-	-	-	-	-	-	
1/3	1250	CFM	1898	1795	1675	1544	1409	1250	952	-	-	-	-	-	
		BHP	0.26	0.28	0.30	0.32	0.33	0.34	0.34	-	-	-	-	-	
		Sones	12.3	11.6	11.0	10.4	10.2	10.0	10.0	-	-	-	-	-	
1/2	1350	CFM	2079	1987	1886	1768	1647	1521	1377	-	-	-	-	-	
		BHP	0.32	0.34	0.36	0.39	0.41	0.42	0.43	-	-	-	-	-	
		Sones	14.1	13.4	12.9	12.2	11.6	11.5	11.4	-	-	-	-	-	
1/2	1450	CFM	2258	2175	2085	1985	1873	1760	1643	1336	-	-	-	-	
		BHP	0.38	0.41	0.44	0.46	0.48	0.50	0.52	0.54	-	-	-	-	
		Sones	16.0	15.4	14.8	14.2	13.7	13.2	13.0	13.0	-	-	-	-	
3/4	1550	CFM	2436	2359	2278	2191	2092	1987	1881	1652	1276	-	-	-	
		BHP	0.46	0.49	0.52	0.54	0.57	0.59	0.62	0.65	0.65	-	-	-	
		Sones	18.0	17.4	16.8	16.3	15.7	15.1	14.7	14.4	14.4	-	-	-	
3/4	1650	CFM	2612	2540	2466	2388	2303	2208	2109	1907	1677	1238	-	-	
		BHP	0.54	0.58	0.61	0.64	0.66	0.69	0.72	0.76	0.79	0.77	-	-	
		Sones	19.9	19.3	18.8	18.3	17.8	17.3	16.8	16.2	15.8	15.7	-	-	
1	1750	CFM	2787	2720	2651	2579	2503	2420	2330	2142	1947	1709	1235	-	
		BHP	0.64	0.68	0.71	0.75	0.77	0.80	0.83	0.88	0.92	0.94	0.91	-	
		Sones	21.8	21.2	20.7	20.2	19.7	19.3	18.9	18.1	17.6	17.3	17.0	-	
1	1850	CFM	2961	2898	2833	2767	2698	2624	2544	2370	2189	1998	1752	1270	
		BHP	0.75	0.79	0.82	0.86	0.89	0.92	0.95	1.01	1.06	1.10	1.12	1.06	
		Sones	23.7	23.2	22.6	22.1	21.7	21.3	20.9	20.0	19.3	19.0	18.7	18.5	

Power Ratings (BHP) does not include transmission losses.
 Performance certified is for installation type A - free inlet, free outlet.
 Performance ratings do not include the effects of birdscreen in the airstream.
 The sound ratings shown are loudness values in fan sones @ 5' (1.5m) in a hemispherical free field calculated per AMCA Standard 301. Values shown are for: Installation Type A: free inlet hemispherical sone levels.



JencoFan, Div. of Soler & Palau Ventilation Group, certifies that the Models STXB shown herein are licensed to bear the AMCA Seal. The ratings shown are based on test and procedures performed in accordance with AMCA Publication 211 and AMCA Publication 311 and comply with the requirement of the AMCA Certified Ratings Program.



STANDARD 705 for Electrical
STANDARD 762 for Grease Removal



SIZE 16

Motor HP	RPM		Static Pressure in Inches w.g.										
			0	0.125	0.25	0.375	0.5	0.625	0.75	0.875	1	1.25	1.5
1/4	700	CFM	1988	1762	1494	977	-	-	-	-	-	-	-
		BHP	0.09	0.10	0.12	0.12	-	-	-	-	-	-	-
		Sones	6.8	6.3	5.3	4.2	-	-	-	-	-	-	-
1/4	750	CFM	2130	1920	1683	1363	-	-	-	-	-	-	-
		BHP	0.10	0.12	0.14	0.15	-	-	-	-	-	-	-
		Sones	8.0	7.6	6.6	5.3	-	-	-	-	-	-	-
1/4	800	CFM	2272	2076	1863	1596	1006	-	-	-	-	-	-
		BHP	0.13	0.15	0.17	0.18	0.17	-	-	-	-	-	-
		Sones	8.7	8.3	7.5	6.4	5.3	-	-	-	-	-	-
1/4	850	CFM	2414	2231	2035	1801	1495	-	-	-	-	-	-
		BHP	0.15	0.17	0.20	0.22	0.22	-	-	-	-	-	-
		Sones	9.5	9.2	8.4	7.4	6.3	-	-	-	-	-	-
1/4	900	CFM	2555	2383	2201	1992	1740	1208	-	-	-	-	-
		BHP	0.18	0.20	0.23	0.25	0.26	0.24	-	-	-	-	-
		Sones	10.3	9.9	9.3	8.5	7.4	6.5	-	-	-	-	-
1/4	950	CFM	2697	2535	2364	2175	1952	1670	-	-	-	-	-
		BHP	0.21	0.24	0.26	0.29	0.30	0.31	-	-	-	-	-
		Sones	11.2	10.6	10.1	9.3	8.4	7.5	-	-	-	-	-
1/3	1000	CFM	2839	2685	2524	2352	2152	1917	1511	-	-	-	-
		BHP	0.25	0.27	0.30	0.33	0.35	0.36	0.35	-	-	-	-
		Sones	12.1	11.5	10.9	10.2	9.4	8.5	7.8	-	-	-	-
1/2	1050	CFM	2981	2835	2682	2522	2341	2132	1875	-	-	-	-
		BHP	0.29	0.32	0.34	0.37	0.39	0.41	0.42	-	-	-	-
		Sones	13.0	12.5	12.0	11.2	10.4	9.6	8.9	-	-	-	-
1/2	1100	CFM	3123	2984	2839	2688	2523	2335	2121	1822	-	-	-
		BHP	0.33	0.36	0.39	0.42	0.44	0.47	0.48	0.48	-	-	-
		Sones	13.9	13.4	13.0	12.3	11.5	10.8	10.0	9.3	-	-	-
3/4	1150	CFM	3265	3132	2994	2852	2699	2528	2334	2105	1687	-	-
		BHP	0.38	0.41	0.44	0.47	0.50	0.52	0.54	0.55	0.53	-	-
		Sones	14.9	14.4	14.0	13.4	12.8	12.2	11.3	10.6	9.9	-	-
3/4	1200	CFM	3407	3280	3148	3012	2871	2713	2539	2344	2103	-	-
		BHP	0.43	0.46	0.49	0.52	0.56	0.58	0.61	0.62	0.62	-	-
		Sones	15.9	15.5	15.1	14.7	14.1	13.5	12.8	11.9	11.2	-	-
3/4	1250	CFM	3549	3427	3301	3171	3038	2892	2732	2555	2355	-	-
		BHP	0.48	0.52	0.55	0.58	0.62	0.65	0.67	0.69	0.71	-	-
		Sones	17.0	16.8	16.5	16.2	15.5	14.9	14.3	13.4	12.6	-	-
1	1300	CFM	3691	3574	3453	3329	3202	3067	2919	2757	2579	2051	-
		BHP	0.54	0.58	0.61	0.65	0.68	0.72	0.75	0.77	0.79	0.78	-
		Sones	18.4	18.1	17.8	17.5	17.0	16.4	15.8	15.0	14.1	12.6	-
1	1350	CFM	3833	3720	3605	3485	3364	3238	3100	2950	2788	2394	-
		BHP	0.61	0.65	0.68	0.72	0.75	0.79	0.82	0.85	0.87	0.89	-
		Sones	19.8	19.5	19.2	18.9	18.4	17.8	17.3	16.6	15.7	14.0	-
1	1400	CFM	3975	3867	3755	3641	3524	3404	3276	3137	2988	2645	1953
		BHP	0.68	0.72	0.75	0.79	0.83	0.87	0.90	0.93	0.96	0.99	0.93
		Sones	21.1	20.9	20.7	20.4	20.1	19.4	18.8	18.2	17.4	15.7	14.1

Power Ratings (BHP) does not include transmission losses.
 Performance certified is for installation type A - free inlet, free outlet.
 Performance ratings do not include the effects of birdscreen in the airstream.
 The sound ratings shown are loudness values in fan sones @ 5' (1.5m) in a hemispherical free field calculated per AMCA Standard 301. Values shown are for: Installation Type A: free inlet hemispherical sone levels.



JencoFan, Div. of Soler & Palau Ventilation Group, certifies that the Models STXB shown herein are licensed to bear the AMCA Seal. The ratings shown are based on test and procedures performed in accordance with AMCA Publication 211 and AMCA Publication 311 and comply with the requirement of the AMCA Certified Ratings Program.



STANDARD 705 for Electrical
STANDARD 762 for Grease Removal



SIZE 16 HIGH PRESSURE

Motor HP	RPM		Static Pressure in Inches w.g.											
			0.25	0.375	0.5	0.625	0.75	0.875	1	1.25	1.5	1.75	2	2.25
1/4	800	CFM	1294	1054	-	-	-	-	-	-	-	-	-	-
		BHP	0.11	0.12	-	-	-	-	-	-	-	-	-	-
		Sones	6.2	5.7	-	-	-	-	-	-	-	-	-	-
1/4	900	CFM	1560	1362	1140	603	-	-	-	-	-	-	-	
		BHP	0.15	0.16	0.17	0.15	-	-	-	-	-	-	-	-
		Sones	7.9	7.4	6.9	6.4	-	-	-	-	-	-	-	-
1/4	1000	CFM	1797	1641	1458	1253	804	-	-	-	-	-	-	
		BHP	0.19	0.21	0.23	0.24	0.22	-	-	-	-	-	-	-
		Sones	9.4	8.9	8.6	8.1	7.7	-	-	-	-	-	-	-
1/3	1100	CFM	2027	1905	1742	1576	1389	1040	-	-	-	-	-	
		BHP	0.24	0.27	0.29	0.31	0.32	0.31	-	-	-	-	-	-
		Sones	10.9	10.5	10.2	9.8	9.4	9.0	-	-	-	-	-	-
1/2	1200	CFM	2257	2144	2017	1865	1712	1539	1283	-	-	-	-	
		BHP	0.30	0.33	0.36	0.38	0.40	0.41	0.41	-	-	-	-	-
		Sones	12.7	12.3	11.9	11.6	11.2	10.8	10.4	-	-	-	-	-
1/3	1300	CFM	2483	2374	2272	2143	2003	1861	1700	1119	-	-	-	
		BHP	0.37	0.40	0.43	0.46	0.48	0.50	0.52	0.50	-	-	-	-
		Sones	14.4	14.0	13.7	13.4	13.1	12.7	12.3	11.9	-	-	-	-
3/4	1400	CFM	2705	2604	2509	2409	2281	2152	2020	1721	995	-	-	
		BHP	0.46	0.49	0.52	0.55	0.58	0.60	0.63	0.65	0.59	-	-	-
		Sones	16.6	16.2	15.8	15.4	15.1	14.8	14.5	14.0	13.5	-	-	-
1	1500	CFM	2925	2833	2739	2652	2551	2430	2309	2056	1742	944	-	
		BHP	0.55	0.59	0.62	0.66	0.69	0.72	0.74	0.79	0.81	0.70	-	-
		Sones	18.8	18.4	18.2	17.8	17.5	17.1	16.8	16.1	15.5	15.2	-	-
1	1600	CFM	3142	3058	2969	2886	2802	2702	2588	2361	2109	1775	969	
		BHP	0.66	0.69	0.73	0.77	0.81	0.84	0.87	0.93	0.96	0.98	0.83	-
		Sones	20.9	20.5	20.0	19.7	19.4	19.1	18.8	18.3	17.6	17.0	16.6	-
1	1700	CFM	3357	3281	3198	3115	3039	2958	2861	2646	2430	2186	1834	1061
		BHP	0.78	0.82	0.86	0.90	0.94	0.98	1.01	1.07	1.13	1.16	1.17	1.01
		Sones	23.1	22.7	22.3	22.0	21.7	21.4	21.1	20.5	19.9	19.1	18.5	18.1

Power Ratings (BHP) does not include transmission losses.
 Performance certified is for installation type A - free inlet, free outlet.
 Performance ratings do not include the effects of birdscreen in the airstream.
 The sound ratings shown are loudness values in fan sones @ 5' (1.5m) in a hemispherical free field calculated per AMCA Standard 301. Values shown are for: Installation Type A: free inlet hemispherical sone levels.



JencoFan, Div. of Soler & Palau Ventilation Group, certifies that the Models STXB shown herein are licensed to bear the AMCA Seal. The ratings shown are based on test and procedures performed in accordance with AMCA Publication 211 and AMCA Publication 311 and comply with the requirement of the AMCA Certified Ratings Program.



STANDARD 705 for Electrical
STANDARD 762 for Grease Removal

MODEL TXB

BELT DRIVE CENTRIFUGAL UPBLAST ROOF EXHAUSTER



MODEL FEATURES

- Exhaust air up to 35,000 CFM in high static pressure applications up to 3-1/4" w.g.
- Attractive spun aluminum exterior
- Belt drives permit easy performance adjustments when needed
- Non-overloading backward inclined wheel for efficiency at higher static pressures
- Roof or sidewall mounting options
- AMCA Air and Sound Licensed
- cULus 705 or 762 Listed
- NFPA - suitable for National Fire Protection Association Installations


APPLICATION CONSTRUCTION OPTIONS

MODEL NAME	TYPICAL APPLICATIONS
TXB	Removal of clean or contaminated air in general applications
TXBRHUL	UL762 listed for grease removal
TXBHP	High Pressure version of TXB
TXBW	Wall mount version of TXB
TXBWRHUL	UL762 version of TXBW
TXBWHP	High Pressure version of TXBW
TXBWHPRHUL	UL762 High Pressure version of TXBW

MODEL OVERVIEW

Model TXB belt drive fans are designed to exhaust air up to 35,000 CFM in high static pressure applications to 3-1/4". The aluminum exterior provides an attractive appearance. Belt drive results in lower operating RPM and sound levels, making the Model TXB well suited to applications where quiet operation is important. Belt drive also permits easy performance adjustments when needed to balance the total ventilation system. The non-overloading backward inclined wheel with its higher static pressure capability makes this unit suitable for either ducted or nonducted applications. Its roof or sidewall mounting options permit location near the area to be ventilated, allowing short duct runs and more efficient operation.

Isolation of motor and drive components from the airstream and the high velocity vertical air discharge make the Model TXB ideally suited for the removal of dirty contaminated and/or high temperature air from processes and buildings. Typical applications include restaurant hoods and similar kitchen exhaust ventilation, fume and smoke removal, laboratory fume hood exhaust and chemical process exhaust. The TXB line of fans is available in a variety of construction options, see the chart above for the TXB that is right for your application.



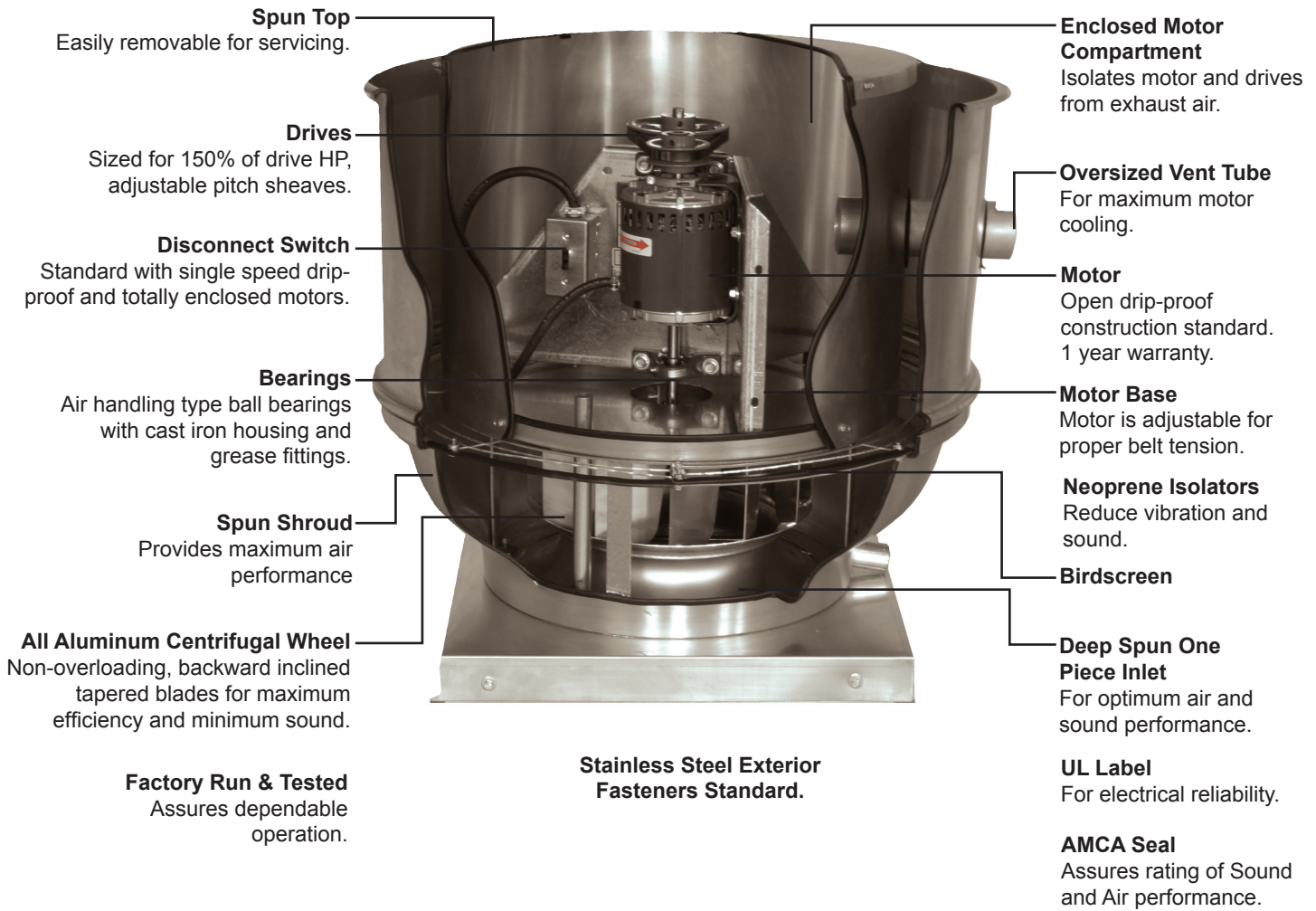
Model TXB-UL762 is available in our Quickship program. Sizes 18-36 are available for next day or 3-day shipping from stock.

Industry best 5 year fan housing warranty, 1 year motor warranty
TXBRHUL units have 2 year fan housing warranty



STANDARD CONSTRUCTION FEATURES AND OPTIONS

Model TXB



Industry best 5 year fan housing warranty, 1 year motor warranty



STANDARD CONSTRUCTION FEATURES AND OPTIONS

Model TXB-UL762 Restaurant Exhaust



2 year fan housing warranty, 1 year motor warranty



CONSTRUCTION/SPECIFICATION CHECKLIST

Housing

- Curb cap with integral deep single piece spun inlet for efficient performance and prevention of leakage into ductwork.
- Heavy-gauge aluminum housing and curb cap for strength and rigidity. Curb cap is galvanized steel on all UL 762 units.
- Adjustable motor base for proper belt tension and ease of adjustment.
- Enclosed ventilated motor/drive compartment isolates motor and drives from exhaust air.
- Neoprene isolators for reduction of vibration and sound.
- Quick-Release latches on motor cover for easy access to motor compartment.
- Water-tight conduit tube for easy electrical connection without having to wire through the breather tube.
- Birdscreen included on standard models (not included on UL762 units).

Centrifugal Wheel

- Backward inclined for efficiency at higher static pressure.
- Non-overloading for safe operation in ducted systems.
- Heavy aluminum hub for extra strength.
- Close running tolerance between inlet cone and wheel inlet for maximum efficiency.
- Statically and dynamically balanced for smooth quiet operation.

Motors

- Brands are nationally recognized and locally serviced.
- Single speed drip-proof motors are provided on standard models.
- Disconnect switch is standard with single speed open drip-proof and totally enclosed motors.
- Welded motor brackets designed for maximum strength.

Drives

- Sized for minimum 150% of drive horse power.
- Machined cast iron adjustable motor pulleys.
- Adjustable base for belt tensioning.
- Nonstatic oil resistant V-Belts.

Bearings

- 5 year bearing warranty.
- Heavy-duty ball bearing type.
- Prelubricated and permanently sealed.
- Sized for a minimum L50 life in excess of 200,000 hours.

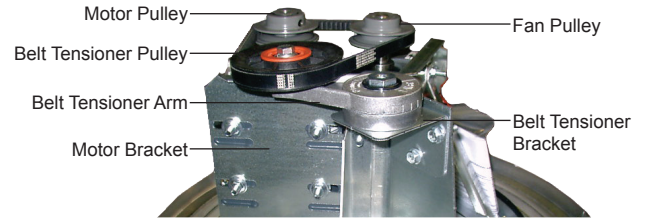
Certifications

- AMCA Air and Sound Licensed.
- cULus 705 Listed Power Roof Ventilator label assures electrical reliability.
- UL 762 Listed for Restaurant Exhaust Appliance available for applications where required.
- cULus 705 and UL 762 assure electrical reliability for Canadian use.
- cULus label must be specified when needed.
- NFPA - Model TXB is suitable for National Fire Protection Association installations. Contact factory for required accessories.

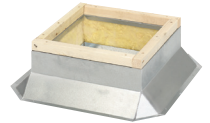


OPTIONS/ACCESSORIES

Automatic Belt Tensioner: Available on sizes 8-24, The Automatic Belt Tensioners eliminate the need for regular manual retensioning of drives, and the risk of inadvertently over-tensioning drive components is avoided and overall drive operating efficiency is enhanced. Benefits include reduction in startup and maintenance costs, increased belt life, increased drive efficiency, and ensure drive components do not snag obstructions.



Roof Curb: Prefabricated heavy-gauge galvanized steel, welded construction, 12" high (other heights are also available) with 1-1/2" wood nailer. Assures perfect fit of exhauster to roof opening. Options include burglar bars, single or double pitch construction and hinged curbs for easy duct access.



Common Curb: Designed to allow both the supply fan and exhaust fan to be mounted on the same curb. This curb requires only one roof opening and speeds installation time.

Motor Operated Damper: Motor operated aluminum damper for positive closure against backdraft. (Not for UL762 use).



Automatic Damper: Automatic aluminum damper for ease in installation and effective backdraft protection. (Not for UL762 use).

Grease Grabber or Aluminum Grease Trough: Trap designed for fast and inexpensive replacement. Grease collects in a container for safe and sanitary disposal. Keeps roof clean with proper use.

Wall Mount Kit: Kit allows 8-24" fans to be wall mounted. Assembled as standard on all TXDW units, not available for not wall mount units. See current submittal for details.

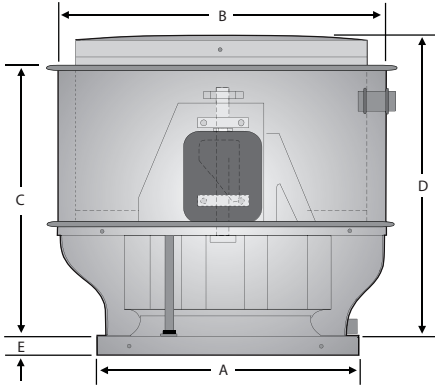
Special Coatings: Powered roof exhausters often require special coatings for protective and decorative purposes. Available coatings include: Synthetic Resin, Epoxy, and Heresite (air-dried phenolic). Contact your representative or the factory for more information on available coatings and colors.

Curb Hinge Arrangement: The curb hinge arrangement provides easy access to the exhaust fan, backdraft damper, and duct for servicing and cleaning.



PERFORMANCE/DIMENSIONS

SIZE 8



Dimensions (in.)				
A	B	C	D	E
16-1/2	24	24	27	1-3/4

Dimensional Data				Metal Thickness			Avg. Ship Wt. (lbs.)
Damper		Roof Opening	Curb OD	Curb Cap	Wind Band	Motor Cover	
ID	OD						
11	11	11-3/4	14-3/4	.063	.050	.050	68

CFM / BHP @ Static Pressure / Sones													RPM	HP	Tip Speed
0	1/8	1/4	3/8	1/2	5/8	3/4	1	1-1/4	1-1/2	1-3/4	2	Catalog Number			
431	301	-	-	-	-	-	-	-	-	-	-	TXB-801	800	1/4	2130
0.01/3.8	0.01/2.5	-	-	-	-	-	-	-	-	-	-	-	-	-	-
485	379	-	-	-	-	-	-	-	-	-	-	TXB-802	900	1/4	2396
0.02/4.6	0.02/3.5	-	-	-	-	-	-	-	-	-	-	-	-	-	-
512	409	224	-	-	-	-	-	-	-	-	-	TXB-803	950	1/4	2629
0.02/5.1	0.02/4.1	0.02/3.1	-	-	-	-	-	-	-	-	-	-	-	-	-
538	439	294	-	-	-	-	-	-	-	-	-	TXB-804	1000	1/4	2662
0.03/5.6	0.03/4.7	0.03/3.6	-	-	-	-	-	-	-	-	-	-	-	-	-
565	468	347	-	-	-	-	-	-	-	-	-	TXB-805	1050	1/4	2796
0.03/6.1	0.03/5.3	0.03/4.2	-	-	-	-	-	-	-	-	-	-	-	-	-
592	496	399	-	-	-	-	-	-	-	-	-	TXB-806	1100	1/4	2929
0.04/6.6	0.03/5.8	0.04/4.8	-	-	-	-	-	-	-	-	-	-	-	-	-
619	525	441	249	-	-	-	-	-	-	-	-	TXB-807	1150	1/4	3062
0.04/7.2	0.04/6.4	0.04/5.4	0.04/4.5	-	-	-	-	-	-	-	-	-	-	-	-
646	554	480	329	-	-	-	-	-	-	-	-	TXB-808	1200	1/4	3195
0.05/7.8	0.05/7.0	0.05/6.0	0.04/5.1	-	-	-	-	-	-	-	-	-	-	-	-
673	583	519	389	-	-	-	-	-	-	-	-	TXB-809	1250	1/4	3328
0.05/8.4	0.05/7.6	0.06/6.6	0.05/5.7	-	-	-	-	-	-	-	-	-	-	-	-
700	612	553	439	221	-	-	-	-	-	-	-	TXB-810	1300	1/4	3461
0.06/9.0	0.06/8.2	0.06/7.2	0.06/6.3	0.06/5.6	-	-	-	-	-	-	-	-	-	-	-
727	641	583	492	328	-	-	-	-	-	-	-	TXB-811	1350	1/4	3594
0.06/9.7	0.06/8.8	0.07/7.8	0.07/7.0	0.06/6.2	-	-	-	-	-	-	-	-	-	-	-
781	698	641	571	456	236	-	-	-	-	-	-	TXB-812	1450	1/4	3861
0.08/10.7	0.08/9.9	0.6/9.0	0.09/8.1	0.08/7.4	0.08/6.7	-	-	-	-	-	-	-	-	-	-
818	738	681	628	526	384	-	-	-	-	-	-	TXB-813	1520	1/4	4047
0.09/11.4	0.09/10.6	0.06/9.8	0.10/9.0	0.11/8.2	0.09/7.5	-	-	-	-	-	-	-	-	-	-
856	777	722	676	595	476	-	-	-	-	-	-	TXB-814	1590	1/4	4233
0.11/12.2	0.11/11.3	0.11/10.6	0.11/9.8	0.11/9.1	0.10/8.4	-	-	-	-	-	-	-	-	-	-
896	820	766	721	653	553	420	-	-	-	-	-	TXB-815	1665	1/4	4433
0.12/13.0	0.12/12.2	0.12/11.5	0.13/10.7	0.13/10.0	0.13/9.3	0.12/8.7	-	-	-	-	-	-	-	-	-
972	899	846	802	761	687	587	-	-	-	-	-	TXB-816	1805	1/4	4806
0.15/14.5	0.16/13.9	0.15/13.3	0.16/12.6	0.17/11.8	0.17/11.1	0.16/10.6	-	-	-	-	-	-	-	-	-
993	921	869	825	786	717	627	334	-	-	-	-	TXB-817	1845	1/4	4912
0.17/15.0	0.17/14.4	0.16/13.8	0.17/13.1	0.18/12.4	0.18/11.6	0.18/11.1	0.17/10.0	-	-	-	-	-	-	-	-
1034	962	912	869	831	777	706	481	-	-	-	-	TXB-818	1920	1/4	5112
0.19/16.0	0.19/15.4	0.19/14.8	0.19/14.1	0.19/13.4	0.20/12.8	0.20/12.1	0.18/11.0	-	-	-	-	-	-	-	-
1074	1005	955	912	875	834	766	583	-	-	-	-	TXB-819	1995	1/4	5312
0.21/17.1	0.21/16.4	0.21/15.9	0.21/15.2	0.21/14.5	0.22/13.8	0.22/13.2	0.20/12.1	-	-	-	-	-	-	-	-
1115	1047	998	955	918	883	824	664	390	-	-	-	TXB-820	2070	1/4	5511
0.23/18.1	0.24/17.5	0.23/16.9	0.23/16.3	0.27/15.6	0.25/14.9	0.25/14.3	0.24/13.1	0.23/12.1	-	-	-	-	-	-	-
1141	1075	1026	984	947	913	865	713	493	-	-	-	TXB-821	2120	1/3	5644
0.25/18.8	0.25/18.2	0.25/17.6	0.25/17.1	0.25/16.3	0.26/15.6	0.27/15.0	0.27/13.8	0.24/12.9	-	-	-	-	-	-	-
1222	1159	1111	1070	1034	1001	969	858	697	-	-	-	TXB-822	2270	1/3	6044
0.31/21	0.31/20	0.31/19.9	0.31/19.3	0.31/18.6	0.31/18.0	0.33/17.3	0.33/16.1	0.30/15.0	-	-	-	-	-	-	-

Power Ratings (BHP) does not include transmission losses.
 Performance certified is for installation type A - free inlet, free outlet.
 Performance ratings do not include the effects of birdscreen in the airstream.
 The sound ratings shown are loudness values in fan sones @ 5' (1.5m) in a hemispherical free field calculated per AMCA Standard 301. Values shown are for: Installation Type A: free inlet hemispherical sone levels.



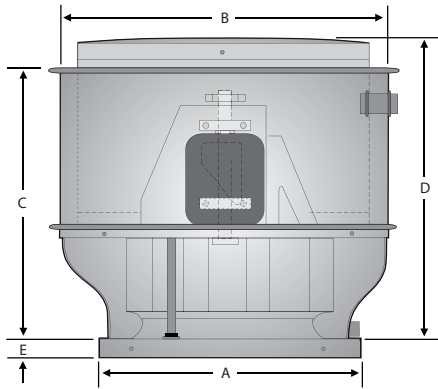
JencoFan, Div. of Soler & Palau Ventilation Group, certifies that the Models TXB shown herein are licensed to bear the AMCA Seal. The ratings shown are based on test and procedures performed in accordance with AMCA Publication 211 and AMCA Publication 311 and comply with the requirement of the AMCA Certified Ratings Program.



UL STANDARD 705 for Electrical
 UL STANDARD 762 for Grease Removal



SIZE 10



Dimensions (in.)				
A	B	C	D	E
16-1/2	27	26	29	1-3/4

Dimensional Data				Metal Thickness			Avg. Ship Wt. (lbs.)
Damper		Roof Opening	Curb OD	Curb Cap	Wind Band	Motor Cover	
ID	OD						
11	11	11-3/4	14-3/4	.063	.050	.050	70

CFM / BHP @ Static Pressure / Sones													RPM	HP	Tip Speed
0	1/8	1/4	3/8	1/2	5/8	3/4	1	1-1/4	1-1/2	1-3/4	2	Catalog Number			
628	386	-	-	-	-	-	-	-	-	-	-	TXB-1001	640	1/4	2052
0.02/2.9	0.02/1.9	-	-	-	-	-	-	-	-	-	-	-	-	-	-
667	448	-	-	-	-	-	-	-	-	-	-	TXB-1002	680	1/4	2181
0.03/3.3	0.03/2.3	-	-	-	-	-	-	-	-	-	-	-	-	-	-
706	506	-	-	-	-	-	-	-	-	-	-	TXB-1003	720	1/4	2309
0.03/3.7	0.03/2.8	-	-	-	-	-	-	-	-	-	-	-	-	-	-
746	560	-	-	-	-	-	-	-	-	-	-	TXB-1004	760	1/4	2437
0.04/4.2	0.04/3.3	-	-	-	-	-	-	-	-	-	-	-	-	-	-
785	612	349	-	-	-	-	-	-	-	-	-	TXB-1005	800	1/4	2566
0.05/4.8	0.05/3.8	0.04/3.5	-	-	-	-	-	-	-	-	-	-	-	-	-
863	711	504	-	-	-	-	-	-	-	-	-	TXB-1006	880	1/4	2822
0.06/5.8	0.06/4.9	0.06/4.4	-	-	-	-	-	-	-	-	-	-	-	-	-
903	758	570	-	-	-	-	-	-	-	-	-	TXB-1007	920	1/4	2950
0.07/6.3	0.07/5.5	0.07/4.9	-	-	-	-	-	-	-	-	-	-	-	-	-
981	851	689	471	-	-	-	-	-	-	-	-	TXB-1008	1000	1/4	3207
0.09/7.5	0.09/6.6	0.09/6.0	0.09/5.8	-	-	-	-	-	-	-	-	-	-	-	-
1020	896	745	550	242	-	-	-	-	-	-	-	TXB-1009	1040	1/4	3335
0.10/8.0	0.11/7.2	0.11/6.6	0.10/6.3	0.08/6.3	-	-	-	-	-	-	-	-	-	-	-
1099	985	851	687	468	-	-	-	-	-	-	-	TXB-1010	1120	1/4	3592
0.13/9.3	0.13/8.4	0.13/7.8	0.13/7.3	0.12/7.3	-	-	-	-	-	-	-	-	-	-	-
1128	1017	889	734	534	-	-	-	-	-	-	-	TXB-1011	1150	1/4	3688
0.14/9.7	0.14/8.8	0.14/8.2	0.14/7.7	0.13/7.6	-	-	-	-	-	-	-	-	-	-	-
1236	1136	1023	894	739	542	-	-	-	-	-	-	TXB-1012	1260	1/4	4041
0.18/11.1	0.19/10.3	0.19/9.6	0.19/9.1	0.18/8.8	0.17/8.8	-	-	-	-	-	-	-	-	-	-
1290	1195	1088	968	828	657	429	-	-	-	-	-	TXB-1013	1315	1/4	4217
0.21/12	0.21/11.1	0.21/10.4	0.21/9.9	0.21/9.5	0.20/9.4	0.18/9.4	-	-	-	-	-	-	-	-	-
1339	1248	1146	1033	903	750	558	-	-	-	-	-	TXB-1014	1365	1/4	4378
0.23/12.7	0.24/11.9	0.24/11.2	0.24/10.6	0.24/10.2	0.23/10.1	0.22/10.1	-	-	-	-	-	-	-	-	-
1393	1306	1209	1103	983	845	678	-	-	-	-	-	TXB-1015	1420	1/4	4554
0.26/13.5	0.26/12.8	0.27/12.1	0.27/11.5	0.27/11.1	0.26/10.7	0.25/10.7	-	-	-	-	-	-	-	-	-
1452	1368	1277	1177	1066	940	794	-	-	-	-	-	TXB-1016	1480	1/3	4746
0.29/14.5	0.30/13.8	0.30/13.2	0.30/12.5	0.30/12.1	0.30/11.6	0.29/11.6	-	-	-	-	-	-	-	-	-
1501	1421	1334	1238	1133	1015	881	530	-	-	-	-	TXB-1017	1530	1/3	4907
0.32/15.5	0.33/14.6	0.34/13.9	0.34/13.3	0.34/12.9	0.33/12.5	0.33/12.3	0.29/12.3	-	-	-	-	-	-	-	-
1540	1462	1377	1285	1185	1074	949	630	-	-	-	-	TXB-1018	1570	1/2	5033
0.35/16.2	0.36/15.5	0.36/14.8	0.36/14.1	0.36/13.6	0.36/13.2	0.36/12.9	0.33/12.9	-	-	-	-	-	-	-	-
1570	1493	1410	1321	1223	1116	997	699	-	-	-	-	TXB-1019	1600	1/2	5131
0.37/16.8	0.38/16.1	0.38/15.4	0.38/14.7	0.38/14.1	0.38/13.7	0.38/13.4	0.35/13.4	-	-	-	-	-	-	-	-
1599	1524	1443	1356	1261	1158	1044	763	-	-	-	-	TXB-1020	1630	1/2	5227
0.39/17.4	0.40/16.7	0.40/16.0	0.41/15.3	0.41/14.7	0.41/14.3	0.40/13.9	0.38/13.8	-	-	-	-	-	-	-	-
1638	1565	1486	1402	1311	1213	1104	844	471	-	-	-	TXB-1021	1670	1/2	5356
0.42/18.1	0.43/17.4	0.43/16.8	0.44/16.1	0.44/15.5	0.44/15.1	0.43/14.7	0.42/14.5	0.36/14.5	-	-	-	-	-	-	-
1731	1663	1589	1511	1428	1338	1240	1015	727	-	-	-	TXB-1022	1765	1/2	5660
0.50/20	0.51/19.2	0.51/18.4	0.52/17.8	0.52/17.4	0.52/16.9	0.51/16.6	0.50/16.1	0.47/16.1	-	-	-	-	-	-	-

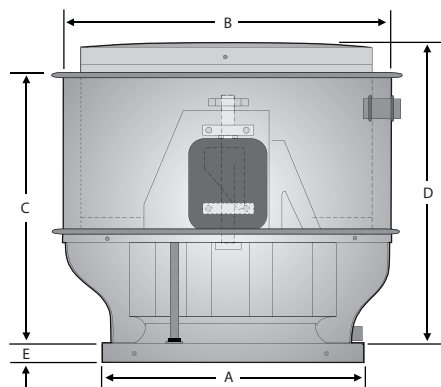
Power Ratings (BHP) does not include transmission losses. Performance certified is for installation type A - free inlet, free outlet. Performance ratings do not include the effects of birdscreen in the airstream. The sound ratings shown are loudness values in fan sones @ 5' (1.5m) in a hemispherical free field calculated per AMCA Standard 301. Values shown are for: Installation Type A: free inlet hemispherical sone levels.



JencoFan, Div. of Soler & Palau Ventilation Group, certifies that the Models TXB shown herein are licensed to bear the AMCA Seal. The ratings shown are based on test and procedures performed in accordance with AMCA Publication 211 and AMCA Publication 311 and comply with the requirement of the AMCA Certified Ratings Program.



UL STANDARD 705 for Electrical
UL STANDARD 762 for Grease Removal

SIZE 12


Dimensions (in.)				
A	B	C	D	E
24	31-1/2	26	29	2-1/2

Dimensional Data				Metal Thickness			Avg. Ship Wt. (lbs.)
Damper		Roof Opening	Curb OD	Curb Cap	Wind Band	Motor Cover	
ID	OD						
18	18	19-1/4	22-1/4	.063	.050	.050	90

CFM / BHP @ Static Pressure / Sones													RPM	HP	Tip Speed
0	1/8	1/4	3/8	1/2	5/8	3/4	1	1-1/4	1-1/2	1-3/4	2	Catalog Number			
1055 0.09/7.7	945 0.09/7.2	836 0.09/6.8	687 0.09/6.4	466 0.09/5.9	-	-	-	-	-	-	-	TXB-12161	1050	1/4	3367
1120 0.10/8.7	1016 0.11/8.2	916 0.11/7.8	789 0.11/7.3	623 0.11/6.9	-	-	-	-	-	-	-	TXB-12162	1115	1/4	3576
1185 0.12/9.8	1085 0.13/9.3	994 0.13/8.8	883 0.13/8.3	740 0.13/7.9	539 0.13/7.6	-	-	-	-	-	-	TXB-12163	1180	1/4	3784
1251 0.14/10.6	1154 0.15/10.1	1070 0.15/9.6	970 0.15/9.1	845 0.15/8.7	693 0.15/8.4	383 0.13/8.1	-	-	-	-	-	TXB-12164	1245	1/4	3993
1316 0.17/11.5	1223 0.17/11.0	1144 0.18/10.6	1054 0.18/10.2	945 0.18/9.8	812 0.18/9.4	638 0.17/9.0	-	-	-	-	-	TXB-12165	1310	1/4	4201
1346 0.18/12.0	1255 0.18/11.5	1177 0.19/11.1	1091 0.19/10.6	988 0.19/10.2	862 0.19/9.9	709 0.19/9.5	-	-	-	-	-	TXB-12251	1340	1/4	4297
1381 0.19/12.5	1292 0.20/12.1	1217 0.21/11.7	1134 0.21/11.2	1037 0.21/10.8	918 0.21/10.4	782 0.21/10.1	-	-	-	-	-	TXB-12252	1375	1/4	4410
1411 0.21/13.0	1323 0.21/12.6	1250 0.22/12.1	1170 0.22/11.7	1077 0.22/11.3	966 0.22/11.0	837 0.22/10.6	-	-	-	-	-	TXB-12253	1405	1/4	4506
1446 0.22/13.6	1360 0.23/13.6	1288 0.24/12.7	1211 0.24/12.3	1124 0.24/11.9	1019 0.24/11.6	898 0.24/11.2	461 0.20/10.7	-	-	-	-	TXB-12254	1440	1/4	4618
1477 0.24/14.1	1391 0.24/13.6	1321 0.25/13.2	1246 0.25/12.9	1163 0.25/12.5	1064 0.25/12.1	948 0.25/11.7	610 0.23/11.1	-	-	-	-	TXB-12255	1470	1/4	4714
1507 0.25/14.6	1423 0.26/14.2	1353 0.27/13.7	1281 0.27/13.3	1201 0.27/13.0	1107 0.27/12.6	996 0.27/12.3	703 0.26/11.6	-	-	-	-	TXB-12256	1500	1/4	4810
1542 0.27/15.2	1459 0.27/14.8	1391 0.28/14.4	1322 0.29/14.0	1245 0.29/13.6	1156 0.29/13.2	1051 0.29/12.9	791 0.28/12.2	-	-	-	-	TXB-12331	1535	1/3	4923
1577 0.29/15.9	1496 0.29/15.4	1429 0.30/15.0	1362 0.31/14.6	1288 0.31/14.3	1204 0.31/13.9	1105 0.31/13.5	867 0.31/12.9	-	-	-	-	TXB-12332	1570	1/3	5035
1617 0.31/16.6	1538 0.32/16.2	1472 0.33/15.8	1407 0.33/15.4	1336 0.33/15.0	1256 0.33/14.7	1165 0.33/14.3	944 0.33/13.6	515 0.28/13.1	-	-	-	TXB-12333	1610	1/3	5163
1652 0.33/17.2	1574 0.34/16.8	1509 0.35/17.0	1446 0.35/17.0	1378 0.35/16.0	1302 0.35/16.0	1215 0.35/16.0	1006 0.35/15.0	687 0.33/14.0	-	-	-	TXB-12334	1645	1/3	5275
1713 0.37/19.0	1636 0.37/19.0	1573 0.38/18.0	1513 0.39/18.0	1448 0.39/17.0	1378 0.39/17.0	1298 0.39/17.0	1106 0.39/16.0	858 0.39/16.0	-	-	-	TXB-12501	1705	1/2	5468
1773 0.41/20	1699 0.41/20	1637 0.42/20	1579 0.44/19.0	1517 0.44/19.0	1451 0.44/18.0	1378 0.44/18.0	1202 0.44/17.0	898 0.44/17.0	573 0.37/16.0	-	-	TXB-12502	1765	1/2	5660
1838 0.45/22	1766 0.46/22	1706 0.47/21	1650 0.48/21	1592 0.49/20	1529 0.49/20	1462 0.49/20	1302 0.49/19.0	1109 0.49/18.0	841 0.47/18.0	-	-	TXB-12503	1830	1/2	5869
1898 0.50/24	1828 0.51/23	1769 0.52/23	1715 0.53/22	1659 0.54/22	1600 0.54/21	1537 0.54/21	1390 0.54/20	1211 0.54/20	992 0.53/19.0	-	-	TXB-12504	1890	1/2	6061
1969 0.56/25	1900 0.56/25	1843 0.58/25	1790 0.59/24	1738 0.60/24	1681 0.60/23	1622 0.60/23	1487 0.60/22	1323 0.60/22	1134 0.60/21	858 0.57/21	-	TXB-12751	1960	3/4	6286
2039 0.62/27	1972 0.63/27	1917 0.64/26	1865 0.65/26	1815 0.66/26	1761 0.67/25	1705 0.67/25	1581 0.66/24	1432 0.66/24	1258 0.67/23	1045 0.65/22	601 0.54/22	TXB-12752	2030	3/4	6510
2104 0.68/29	2039 0.69/29	1985 0.70/28	1934 0.71/28	1886 0.73/28	1835 0.73/27	1781 0.73/27	1665 0.73/26	1528 0.73/25	1366 0.73/25	1184 0.73/24	917 0.69/24	TXB-12753	2095	3/4	6719
2175 0.75/32	2111 0.76/31	2058 0.77/31	2009 0.78/30	1961 0.80/30	1913 0.81/29	1862 0.81/29	1753 0.81/28	1627 0.81/27	1478 0.81/27	1312 0.81/26	1105 0.79/26	TXB-12754	2165	3/4	6943

Power Ratings (BHP) does not include transmission losses.

Performance certified is for installation type A - free inlet, free outlet.

Performance ratings do not include the effects of birdscreen in the airstream.

The sound ratings shown are loudness values in fan sones @ 5' (1.5m) in a hemispherical free field calculated per AMCA Standard 301. Values shown are for: Installation Type A: free inlet hemispherical sone levels.



JencoFan, Div. of Soler & Palau Ventilation Group, certifies that the Models TXB shown herein are licensed to bear the AMCA Seal. The ratings shown are based on test and procedures performed in accordance with AMCA Publication 211 and AMCA Publication 311 and comply with the requirement of the AMCA Certified Ratings Program.

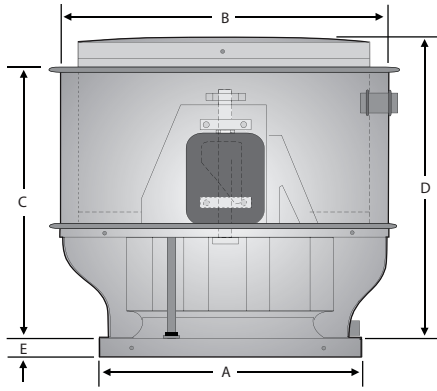


UL STANDARD 705 for Electrical
UL STANDARD 762 for Grease Removal



MODEL TXB
BELT DRIVE CENTRIFUGAL UPBLAST ROOF EXHAUSTER

SIZE 15



Dimensions (in.)				
A	B	C	D	E
24	31-1/2	26	29	2-1/2

Dimensional Data				Metal Thickness			Avg. Ship Wt. (lbs.)
Damper		Roof Opening	Curb OD	Curb Cap	Wind Band	Motor Cover	
ID	OD						
18	18	19-1/4	22-1/4	.063	.050	.050	95

CFM / BHP @ Static Pressure / Sones													RPM	HP	Tip Speed
0	1/8	1/4	3/8	1/2	5/8	3/4	1	1-1/4	1-1/2	1-3/4	2	Catalog Number			
1525	1301	1019	-	-	-	-	-	-	-	-	-	TXB-15161	700	1/4	2792
0.09/6.8	0.09/6.0	0.09/5.2	-	-	-	-	-	-	-	-	-	-	-	-	-
1710	1513	1286	972	-	-	-	-	-	-	-	-	TXB-15162	785	1/4	3134
0.12/8.3	0.13/7.4	0.13/6.9	0.12/5.9	-	-	-	-	-	-	-	-	-	-	-	-
1895	1719	1525	1291	944	-	-	-	-	-	-	-	TXB-15163	870	1/4	3473
0.17/9.9	0.17/9.0	0.18/8.4	0.17/7.7	0.16/6.9	-	-	-	-	-	-	-	-	-	-	-
1938	1767	1579	1356	1047	-	-	-	-	-	-	-	TXB-15251	890	1/4	3553
0.18/10.3	0.19/9.4	0.19/8.8	0.19/8.2	0.18/7.3	-	-	-	-	-	-	-	-	-	-	-
1982	1814	1632	1420	1137	544	-	-	-	-	-	-	TXB-15252	910	1/4	3633
0.19/10.7	0.20/9.8	0.20/9.2	0.20/8.7	0.19/7.7	0.15/7.4	-	-	-	-	-	-	-	-	-	-
2026	1862	1685	1481	1220	763	-	-	-	-	-	-	TXB-15253	930	1/4	3713
0.21/11.1	0.21/10.2	0.21/9.6	0.21/9.2	0.21/8.2	0.18/7.7	-	-	-	-	-	-	-	-	-	-
2080	1921	1750	1556	1317	951	-	-	-	-	-	-	TXB-15254	955	1/4	3813
0.22/11.6	0.23/10.8	0.23/10.1	0.23/9.7	0.23/8.8	0.21/8.1	-	-	-	-	-	-	-	-	-	-
2124	1968	1801	1615	1389	1068	-	-	-	-	-	-	TXB-15255	975	1/4	3893
0.24/12.1	0.24/11.2	0.25/10.6	0.25/10.1	0.24/9.3	0.23/8.4	-	-	-	-	-	-	-	-	-	-
2167	2015	1852	1672	1458	1170	572	-	-	-	-	-	TXB-15256	995	1/4	3972
0.25/12.5	0.26/11.6	0.26/11.1	0.26/10.6	0.26/9.8	0.25/8.9	0.19/8.8	-	-	-	-	-	-	-	-	-
2243	2096	1941	1770	1574	1325	929	-	-	-	-	-	TXB-15331	1030	1/3	4112
0.28/13.3	0.29/12.4	0.29/11.9	0.29/11.4	0.29/10.8	0.28/9.9	0.25/9.4	-	-	-	-	-	-	-	-	-
2309	2166	2016	1853	1668	1443	1125	-	-	-	-	-	TXB-15332	1060	1/3	4232
0.31/13.9	0.31/13.1	0.32/12.7	.32/12.2	0.32/11.6	0.31/10.7	0.29/9.9	-	-	-	-	-	-	-	-	-
2385	2247	2103	1947	1774	1570	1305	-	-	-	-	-	TXB-15333	1095	1/3	4372
0.34/14.7	0.34/13.9	0.35/13.5	0.35/13.1	0.35/12.6	0.34/11.7	0.33/10.8	-	-	-	-	-	-	-	-	-
2472	2339	2201	2053	1891	1706	1479	-	-	-	-	-	TXB-15501	1135	1/2	4531
0.38/15.7	0.38/14.9	0.39/14.5	0.39/14.0	0.39/13.6	0.39/12.9	0.38/12.0	-	-	-	-	-	-	-	-	-
2559	2431	2298	2157	2004	1833	1632	953	-	-	-	-	TXB-15502	1175	1/2	4691
0.42/16.7	0.42/16.0	0.43/15.6	0.43/15.1	0.43/14.6	0.43/14.1	0.42/13.2	0.35/12.1	-	-	-	-	-	-	-	-
2646	2522	2394	2260	2115	1956	1774	1247	-	-	-	-	TXB-15503	1215	1/2	4851
0.46/17.7	0.47/17.1	0.47/16.7	0.48/16.3	0.48/15.8	0.48/15.3	0.47/14.4	0.43/13.0	-	-	-	-	-	-	-	-
2733	2613	2490	2361	2223	2074	1906	1462	-	-	-	-	TXB-15504	1255	1/2	5011
0.51/18.7	0.52/18.2	0.52/17.8	0.52/17.4	0.53/16.9	0.53/16.4	0.52/15.7	0.49/14.0	-	-	-	-	-	-	-	-
2831	2715	2597	2473	2343	2203	2048	1664	928	-	-	-	TXB-15751	1300	3/4	5190
0.57/19.8	0.57/19.2	0.58/18.8	0.58/18.4	0.58/17.9	0.58/17.4	0.56/15.2	0.46/14.5	-	-	-	-	-	-	-	-
2929	2817	2703	2585	2460	2328	2184	1841	1308	-	-	-	TXB-15752	1345	3/4	5370
0.63/21	0.63/20	0.64/19.8	0.64/19.4	0.65/19.0	0.65/18.5	0.65/18.0	0.63/16.5	0.57/15.2	-	-	-	-	-	-	-
3027	2919	2809	2695	2576	2450	2316	2003	1569	-	-	-	TXB-15753	1390	3/4	5549
0.69/22	0.70/21	0.70/21	0.71/20	0.71/20	0.71/19.6	0.71/19.1	0.70/17.7	0.66/16.1	-	-	-	-	-	-	-
3125	3020	2914	2804	2690	2571	2444	2155	1782	1129	-	-	TXB-15754	1435	3/4	5729
0.76/23	0.77/22	0.77/22	0.78/21	0.78/21	0.79/21	0.79/20	0.78/19.0	0.75/17.4	0.64/16.7	-	-	-	-	-	-
3213	3110	3007	2901	2791	2676	2555	2284	1948	1444	-	-	TXB-15101	1475	1	5889
0.83/24	0.83/24	0.84/23	0.85/22	0.85/22	0.85/22	0.85/21	0.85/20	0.83/18.5	0.75/17.4	-	-	-	-	-	-
3330	3200	3100	2997	2891	2780	2664	2408	2100	1679	805	-	TXB-15102	1515	1	6049
0.90/25	0.90/25	0.91/24	0.92/23	0.92/23	0.92/23	0.93/22	0.92/21	0.91/19.7	0.85/18.2	0.64/18.1	-	-	-	-	-
3376	3279	3181	3080	2977	2870	2758	2513	2226	1853	1220	-	TXB-15103	1550	1	6188
0.96/26	0.97/25	0.97/25	0.98/24	0.98/24	0.99/24	0.99/23	0.99/22	0.98/21	0.93/19.3	0.80/18.8	-	-	-	-	-
3463	3368	3273	3175	3075	2972	2864	2631	2362	2029	1538	-	TXB-15104	1590	1	6348
1.04/27	1.04/27	1.05/26	1.06/25	1.06/25	1.07/25	1.07/24	1.07/23	1.06/22	1.03/21	0.94/19.6	-	-	-	-	-
3692	3603	3514	3423	3330	3235	3136	2927	2696	2428	2095	1612	TXB-15151	1695	1-1/2	6767
1.26/30	1.26/30	1.27/29	1.28/28	1.28/28	1.29/27	1.29/27	1.30/26	1.29/26	1.28/24	1.23/23	1.13/22	-	-	-	-
3931	3848	3764	3679	3593	3505	3414	3225	3020	2792	2530	2209	TXB-15152	1805	1-1/2	7206
1.52/34	1.53/33	1.53/32	1.54/32	1.55/31	1.55/31	1.56/30	1.56/30	1.57/29	1.56/28	1.53/26	1.49/25	-	-	-	-

Power Ratings (BHP) does not include transmission losses.
 Performance certified is for installation type A - free inlet, free outlet.
 Performance ratings do not include the effects of birdscreen in the airstream.
 The sound ratings shown are loudness values in fan sones @ 5' (1.5m) in a hemispherical free field calculated per AMCA Standard 301. Values shown are for: Installation Type A: free inlet hemispherical sone levels.



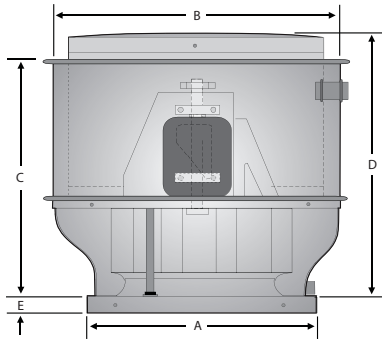
JencoFan, Div. of Soler & Palau Ventilation Group, certifies that the Models TXB shown herein are licensed to bear the AMCA Seal. The ratings shown are based on test and procedures performed in accordance with AMCA Publication 211 and AMCA Publication 311 and comply with the requirement of the AMCA Certified Ratings Program.



UL STANDARD 705 for Electrical
 UL STANDARD 762 for
 Grease Removal



SIZE 15 - HIGH PRESSURE



Dimensions (in.)				
A	B	C	D	E
24	31-1/2	26	29	2-1/2

Dimensional Data				Metal Thickness			Avg. Ship Wt. (lbs.)
Damper		Roof Opening	Curb OD	Curb Cap	Wind Band	Motor Cover	
ID	OD						
18	18	19-1/4	22-1/4	.063	.050	.050	95

CFM / BHP @ Static Pressure / Sones													Catalog Number	RPM	HP	Tip Speed
1/4	3/8	1/2	5/8	3/4	1	1-1/4	1-1/2	1-3/4	2	2-1/4	2-1/2					
1033	573	-	-	-	-	-	-	-	-	-	-	-	TXBHP-15161	740	1/4	2954
0.09/5.4	0.07/4.8	-	-	-	-	-	-	-	-	-	-	-	TXBHP-15162	825	1/4	3294
1266	1003	-	-	-	-	-	-	-	-	-	-	-	TXBHP-15163	910	1/4	3633
0.13/7.5	0.12/6.1	-	-	-	-	-	-	-	-	-	-	-	TXBHP-15251	935	1/4	3733
1479	1276	989	-	-	-	-	-	-	-	-	-	-	TXBHP-15252	955	1/4	3813
0.17/9.7	0.17/8.2	0.16/7.4	-	-	-	-	-	-	-	-	-	-	TXBHP-15253	980	1/4	3913
1539	1348	1092	-	-	-	-	-	-	-	-	-	-	TXBHP-15254	1000	1/4	3992
0.18/10.4	0.18/8.9	0.18/7.8	-	-	-	-	-	-	-	-	-	-	TXBHP-15255	1025	1/4	4092
1586	1403	1166	737	-	-	-	-	-	-	-	-	-	TXBHP-15256	1045	1/4	4172
0.19/11.0	0.19/9.5	0.19/8.2	0.16/8.2	-	-	-	-	-	-	-	-	-	TXBHP-15331	1080	1/3	4312
1645	1471	1253	916	-	-	-	-	-	-	-	-	-	TXBHP-15332	1110	1/3	4432
0.21/11.7	0.21/10.3	0.21/8.9	0.19/8.7	-	-	-	-	-	-	-	-	-	TXBHP-15333	1145	1/3	4571
1692	1524	1319	1024	-	-	-	-	-	-	-	-	-	TXBHP-15501	1190	1/2	4751
0.22/12.3	0.22/10.9	0.22/9.4	0.21/9.0	-	-	-	-	-	-	-	-	-	TXBHP-15502	1230	1/2	4911
1749	1589	1397	1138	-	-	-	-	-	-	-	-	-	TXBHP-15503	1270	1/2	5070
0.24/13.1	0.24/11.7	0.24/10.2	0.23/9.5	-	-	-	-	-	-	-	-	-	TXBHP-15504	1310	1/2	5230
1795	1640	1456	1219	796	-	-	-	-	-	-	-	-	TXBHP-15751	1360	3/4	5430
0.25/13.8	0.26/12.4	0.25/10.8	0.24/9.9	0.21/9.9	-	-	-	-	-	-	-	-	TXBHP-15752	1405	3/4	5609
1874	1727	1557	1348	1041	-	-	-	-	-	-	-	-	TXBHP-15753	1455	3/4	5809
0.28/14.9	0.28/13.6	0.28/11.8	0.27/10.6	0.25/10.6	-	-	-	-	-	-	-	-	TXBHP-15754	1500	3/4	5989
1941	1800	1640	1448	1190	-	-	-	-	-	-	-	-	TXBHP-15101	1545	1	6168
0.30/15.4	0.31/14.3	0.31/12.7	0.30/11.4	0.29/11.0	-	-	-	-	-	-	-	-	TXBHP-15102	1590	1	6348
2019	1885	1734	1558	1337	-	-	-	-	-	-	-	-	TXBHP-15103	1635	1	6527
0.33/16.2	0.33/15.1	0.34/13.7	.33/12.2	0.32/11.5	-	-	-	-	-	-	-	-	TXBHP-15104	1680	1	6707
2118	1991	1851	1691	1500	-	-	-	-	-	-	-	-	TXBHP-15151	1785	1-1/2	7127
0.37/17.1	0.37/16.3	0.38/14.9	.38/13.4	0.37/12.2	-	-	-	-	-	-	-	-	TXBHP-15152	1895	1-1/2	7568
2205	2084	1952	1804	1632	1100	-	-	-	-	-	-	-				
0.41/17.9	0.41/17.3	0.42/16.1	.42/14.6	0.41/13.3	0.36/12.7	-	-	-	-	-	-	-				
2292	2176	2050	1912	1755	1320	-	-	-	-	-	-	-				
0.45/18.7	0.45/18.4	.46/17.2	.46/15.8	0.46/14.5	0.42/13.4	-	-	-	-	-	-	-				
2378	2267	2147	2017	1871	1495	-	-	-	-	-	-	-				
0.49/19.5	0.50/19.4	0.50/18.3	.50/16.9	0.50/15.7	0.48/14.1	-	-	-	-	-	-	-				
2485	2379	2266	2144	2010	1683	1121	-	-	-	-	-	-				
0.55/20	0.55/20	0.56/19.6	.56/18.5	0.56/17.1	0.55/15.1	0.47/15.0	-	-	-	-	-	-				
2580	2479	2371	2256	2131	1835	1402	-	-	-	-	-	-				
0.60/21	0.61/21	0.62/21	0.62/19.8	0.62/18.6	0.61/16.4	0.56/15.9	-	-	-	-	-	-				
2686	2589	2486	2377	2261	1992	1632	824	-	-	-	-	-				
0.67/23	0.68/23	0.68/22	0.69/21	0.69/20	0.68/17.9	0.65/16.9	0.48/16.9	-	-	-	-	-				
2781	2687	2589	2485	2374	2124	1808	1303	-	-	-	-	-				
0.73/23	0.74/23	0.75/23	0.75/22	0.75/21	0.75/19.3	0.73/17.7	0.65/17.7	-	-	-	-	-				
2875	2784	2690	2591	2486	2252	1966	1566	-	-	-	-	-				
0.80/24	0.81/24	0.81/24	0.82/24	0.82/23	0.82/21	0.81/18.9	0.75/18.7	-	-	-	-	-				
2969	2881	2790	2695	2595	2374	2113	1772	1154	-	-	-	-				
0.87/26	0.88/26	0.89/26	0.89/25	0.90/24	0.90/22	0.89/20	0.85/19.6	0.71/19.6	-	-	-	-				
3062	2978	2890	2799	2703	2494	2251	1950	1504	-	-	-	-				
0.95/27	0.95/27	0.96/27	0.97/27	0.97/26	0.98/24	0.97/22	0.94/21	0.86/21	-	-	-	-				
3156	3074	2989	2901	2809	2610	2384	2111	1746	950	-	-	-				
1.03/29	1.03/29	1.04/29	1.05/29	1.05/28	1.06/26	1.06/24	1.04/22	0.98/21	0.74/21	-	-	-				
3372	3296	3217	3136	3052	2873	2674	2448	2176	1813	1067	-	-				
1.23/33	1.24/33	1.25/33	1.25/33	1.26/32	1.27/30	1.27/28	1.26/26	1.23/24	1.16/24	0.91/24	-	-				
3598	3527	3454	3378	3301	3137	2961	2765	2543	2278	1931	1318	-				
1.47/37	1.48/37	1.49/37	1.49/37	1.50/37	1.51/35	1.52/33	1.52/30	1.51/28	1.47/27	1.40/27	1.18/27	-				

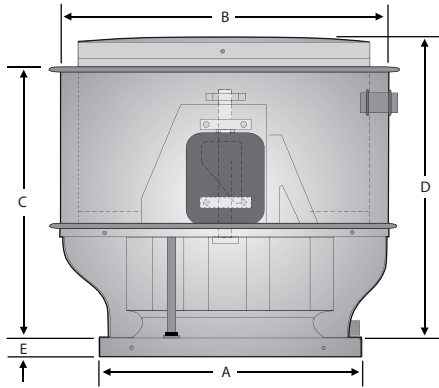
Power Ratings (BHP) does not include transmission losses.
 Performance certified is for installation type A - free inlet, free outlet.
 Performance ratings do not include the effects of birdscreen in the airstream.
 The sound ratings shown are loudness values in fan sones @ 5' (1.5m) in a hemispherical free field calculated per AMCA Standard 301. Values shown are for: Installation Type A: free inlet hemispherical sone levels.



JencoFan, Div. of Soler & Palau Ventilation Group, certifies that the Models TXB shown herein are licensed to bear the AMCA Seal. The ratings shown are based on test and procedures performed in accordance with AMCA Publication 211 and AMCA Publication 311 and comply with the requirement of the AMCA Certified Ratings Program.



SIZE 16



Dimensions (in.)				
A	B	C	D	E
24	31-1/2	26	29	2-1/2

Dimensional Data				Metal Thickness			Avg. Ship Wt. (lbs.)
Damper		Roof Opening	Curb OD	Curb Cap	Wind Band	Motor Cover	
ID	OD						
18	18	19-1/4	22-1/4	.063	.050	.050	100

CFM / BHP @ Static Pressure / Sones													RPM	HP	Tip Speed
0	1/8	1/4	3/8	1/2	5/8	3/4	7/8	1	1-1/4	1-1/2	1-3/4	Catalog Number			
2223 0.15/7.9	2016 0.16/7.5	1746 0.16/6.7	1375 0.15/5.2	-	-	-	-	-	-	-	-	TXB-1601	680	1/4	3202
2289 0.16/8.4	2086 0.17/7.9	1829 0.18/7.2	1490 0.17/5.7	-	-	-	-	-	-	-	-	TXB-1602	700	1/4	3297
2354 0.18/8.8	2156 0.19/8.3	1911 0.19/7.7	1594 0.19/6.3	1007 0.16/5.1	-	-	-	-	-	-	-	TXB-1603	720	1/4	3391
2485 0.21/9.8	2295 0.22/9.2	2071 0.23/8.8	1796 0.22/7.4	1410 0.21/6.2	-	-	-	-	-	-	-	TXB-1604	760	1/4	3580
2550 0.23/10.2	2364 0.24/9.8	2152 0.24/9.3	1897 0.24/8.1	1554 0.23/6.8	-	-	-	-	-	-	-	TXB-1605	780	1/4	3674
2616 0.24/10.7	2432 0.26/10.2	2235 0.26/9.8	1993 0.27/8.7	1676 0.25/7.3	1052 0.21/6.2	-	-	-	-	-	-	TXB-1606	800	1/4	3768
2681 0.26/11.2	2501 0.28/10.8	2317 0.28/10.3	2084 0.29/9.3	1782 0.28/8.0	1307 0.25/6.8	-	-	-	-	-	-	TXB-1607	820	1/3	3862
2747 0.28/11.7	2569 0.30/11.3	2397 0.30/10.9	2169 0.31/9.9	1884 0.30/8.6	1495 0.28/7.4	-	-	-	-	-	-	TXB-1608	840	1/3	3956
2877 0.32/12.8	2705 0.35/12.3	2553 0.35/11.9	2333 0.35/11.4	2087 0.35/9.9	1789 0.34/8.6	1208 0.28/7.5	-	-	-	-	-	TXB-1609	880	1/3	4145
2943 0.35/13.3	2773 0.37/12.9	2629 0.37/12.5	2413 0.38/12.1	2187 0.38/10.6	1904 0.36/9.3	1450 0.33/8.2	-	-	-	-	-	TXB-1610	900	1/2	4239
3057 0.39/14.3	2892 0.41/13.9	2757 0.41/13.9	2553 0.42/13.1	2353 0.42/11.9	2086 0.41/10.5	1759 0.39/9.3	1025 0.30/8.3	-	-	-	-	TXB-1611	935	1/2	4404
3172 0.43/15.3	3010 0.46/14.9	2881 0.47/14.6	2697 0.47/14.2	2505 0.48/13.1	2262 0.46/11.8	1997 0.45/10.5	1545 0.41/9.5	-	-	-	-	TXB-1612	970	1/2	4569
3270 0.48/16.2	3111 0.50/15.8	2986 0.51/15.5	2820 0.51/15.1	2628 0.52/14.4	2414 0.51/12.9	2161 0.50/11.7	1821 0.47/10.5	1105 0.37/9.5	-	-	-	TXB-1613	1000	1/2	4710
3335 0.51/16.8	3179 0.50/16.4	3056 0.54/16.1	2901 0.54/15.7	2709 0.55/15.2	2512 0.55/13.7	2264 0.53/12.4	1975 0.51/11.2	1448 0.45/10.1	-	-	-	TXB-1614	1020	1/2	4804
3433 0.55/17.7	3280 0.58/17.3	3160 0.59/17.0	3020 0.59/16.7	2830 0.60/16.3	2652 0.60/14.9	2413 0.59/13.5	2170 0.57/12.3	1780 0.53/11.2	-	-	-	TXB-1615	1050	3/4	4946
3531 0.60/18.6	3381 0.63/18.3	3263 0.64/18.0	3136 0.64/17.6	2949 0.65/17.3	2781 0.66/16.2	2567 0.64/14.8	2333 0.63/13.5	2034 0.60/12.4	-	-	-	TXB-1616	1080	3/4	5087
3629 0.65/19.6	3481 0.69/19.3	3367 0.70/19.0	3249 0.70/18.7	3073 0.70/18.4	2906 0.71/17.4	2716 0.71/16	2487 0.69/14.8	2243 0.67/13.5	-	-	-	TXB-1617	1110	3/4	5181
3728 0.71/21	3582 0.74/20	3469 0.75/19.9	3358 0.76/19.7	3197 0.76/19.4	3028 0.77/18.8	2858 0.77/17.3	2636 0.75/16.0	2417 0.74/14.8	1613 0.63/12.6	-	-	TXB-1618	1140	3/4	5369
3826 0.76/22	3682 0.80/21	3572 0.81/21	3465 0.82/21	3319 0.82/20	3148 0.83/20	2992 0.83/18.7	2790 0.82/17.3	2574 0.80/16.0	1953 0.73/13.8	-	-	TXB-1619	1170	1	5511
3907 0.81/22	3766 0.85/22	3657 0.87/22	3553 0.87/22	3419 0.87/21	3248 0.88/21	3097 0.89/19.9	2914 0.88/18.5	2700 0.86/17.1	2175 0.81/14.9	-	-	TXB-1620	1195	1	5628
4038 0.90/24	3900 0.94/24	3794 0.96/23	3693 0.96/23	3574 0.96/23	3410 0.97/23	3261 0.98/22	3104 0.98/20	2902 0.96/19.0	2469 0.92/16.5	1556 0.75/14.5	-	TXB-1621	1235	1	5817
4169 0.99/25	4034 1.03/25	3929 1.05/25	3832 1.06/24	3727 1.06/24	3576 1.07/24	3422 1.07/24	3279 1.08/22	3103 1.07/21	2704 1.03/18.2	2073 .93/16	-	TXB-1622	1275	1	6005
4218 1.02/26	4084 1.07/25	3980 1.09/25	3884 1.09/25	3783 1.09/24	3637 1.10/24	3482 1.11/24	3342 1.12/23	3176 1.11/21	2784 1.07/18.8	2218 .99/16.5	-	TXB-1623	1290	1	6076

Power Ratings (BHP) does not include transmission losses. Performance certified is for installation type A - free inlet, free outlet. Performance ratings do not include the effects of birdscreen in the airstream. The sound ratings shown are loudness values in fan sones @ 5' (1.5m) in a hemispherical free field calculated per AMCA Standard 301. Values shown are for: Installation Type A: free inlet hemispherical sone levels.



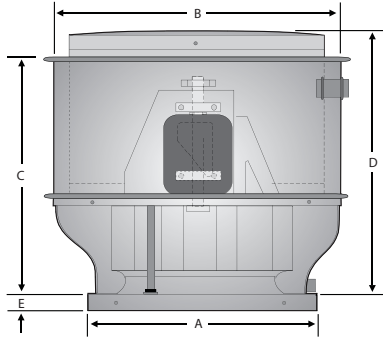
JencoFan, Div. of Soler & Palau Ventilation Group, certifies that the Models TXB shown herein are licensed to bear the AMCA Seal. The ratings shown are based on test and procedures performed in accordance with AMCA Publication 211 and AMCA Publication 311 and comply with the requirement of the AMCA Certified Ratings Program.



UL STANDARD 705 for Electrical UL STANDARD 762 for Grease Removal



SIZE 18



Dimensions (in.)				
A	B	C	D	E
29-1/2	37-3/4	28-1/2	32	2-1/2

Dimensional Data				Metal Thickness			Avg. Ship Wt. (lbs.)
Damper		Roof Opening	Curb OD	Curb Cap	Wind Band	Motor Cover	
ID	OD						
24	24	24-3/4	27-3/4	.080	.050	.050	120

CFM / BHP @ Static Pressure / Sones													RPM	HP	Tip Speed	
0	1/8	1/4	3/8	1/2	5/8	3/4	1	1-1/4	1-1/2	1-3/4	2	Catalog Number				
2247	2000	1707											TXB-18251	650	1/4	3127
0.16/7.8	0.17/6.9	0.17/6.3														
2350	2116	1844	1498										TXB-18252	680	1/4	3271
0.19/8.4	0.19/7.5	0.19/7.0	0.19/6.5													
2471	2250	1998	1691	1261									TXB-18253	715	1/4	3440
0.22/9.1	0.22/8.3	0.22/7.7	0.22/7.2	0.21/6.7												
2575	2364	2126	1845	1479									TXB-18254	745	1/4	3584
0.25/9.8	0.25/8.9	0.25/8.3	0.25/7.8	0.24/7.4												
2644	2439	2210	1944	1608									TXB-18331	765	1/3	3680
0.27/10.2	0.27/9.4	0.27/8.8	0.27/8.3	0.27/7.8												
2713	2514	2293	2039	1728									TXB-18332	785	1/3	3776
0.29/10.6	0.29/9.8	0.29/9.2	0.3/8.7	0.29/8.3												
2765	2570	2354	2109	1814	1415								TXB-18333	800	1/3	3848
0.31/11.0	0.31/10.1	0.31/9.5	0.31/9.0	0.31/8.6	0.29/8.1											
2834	2644	2436	2201	1923	1565								TXB-18334	820	1/3	3945
0.33/11.4	0.33/10.5	0.34/9.9	0.34/9.4	0.34/9.0	0.32/8.6											
2938	2755	2556	2335	2079	1765	1321							TXB-18501	850	1/2	4089
0.37/12.1	0.37/11.2	0.37/10.5	0.38/10.1	0.37/9.6	0.37/9.2	0.33/8.9										
3041	2866	2675	2466	2228	1946	1578							TXB-18502	880	1/2	4233
0.41/12.8	0.41/11.8	0.41/11.1	0.42/10.7	0.41/10.3	0.41/9.8	0.39/9.4										
3145	2976	2793	2594	2371	2114	1795							TXB-18503	910	1/2	4378
0.45/13.5	0.45/12.6	0.46/11.8	0.46/11.3	0.46/10.9	0.46/10.5	0.44/10.1										
3249	3085	2909	2719	2510	2272	1989							TXB-18504	940	1/2	4522
0.5/14.1	0.5/13.3	0.5/12.5	0.51/10.0	0.51/11.6	0.51/11.2	0.5/10.8										
3335	3176	3006	2823	2623	2398	2137							TXB-18751	965	3/4	4642
0.54/14.8	0.54/13.9	0.54/13.2	0.55/12.6	0.55/12.2	0.55/11.7	0.54/11.3										
3439	3285	3121	2945	2755	2545	2305							TXB-18752	995	3/4	4786
0.59/15.5	0.59/14.6	0.6/13.9	0.6/13.3	0.6/12.9	0.6/12.5	0.6/12.1										
3525	3376	3216	3046	2864	2663	2439	1852						TXB-18753	1020	3/4	4907
0.64/16.1	0.64/15.3	0.64/14.5	0.64/13.9	0.65/13.5	0.65/13.1	0.65/12.7	0.61/11.9									
3629	3484	3329	3166	2992	2802	2592	2068						TXB-18754	1050	3/4	5051
0.69/16.9	0.7/16.1	0.7/15.3	0.7/14.6	0.71/14.2	0.71/13.8	0.71/13.4	0.68/12.7									
3715	3574	3424	3265	3097	2915	2715	2231						TXB-18755	1075	3/4	5171
0.74/17.5	0.75/16.7	0.75/16.0	0.75/15.3	0.76/14.8	0.76/14.4	0.76/14.0	0.74/13.3									
3871	3736	3592	3442	3283	3113	2930	2501						TXB-18101	1120	1	5388
0.84/18.7	0.84/17.9	0.85/17.2	0.85/16.5	0.86/16.0	0.86/15.6	0.86/15.2	0.85/14.4									
4009	3879	3741	3597	3446	3285	3114	2722	2215					TXB-18102	1160	1	5580
0.93/19.7	0.94/19.0	0.94/18.3	0.94/17.6	0.95/17.1	0.95/16.7	0.96/16.3	0.95/15.7	0.91/14.8								
4147	4022	3889	3751	3606	3454	3293	2930	2483	1849				TXB-18103	1200	1	5773
1.03/21	1.04/20	1.04/19.4	1.04/18.8	1.05/18.2	1.05/17.8	1.06/17.4	1.05/16.6	1.03/15.9	0.93/15.9							
4320	4200	4073	3942	3805	3661	3510	3178	2784	2274				TXB-18151	1250	1-1/2	6013
1.17/22	1.17/22	1.17/21	1.18/20	1.18/19.6	1.19/19.2	1.19/18.8	1.2/18.1	1.18/17.4	1.12/16.7							
4493	4378	4256	4131	4001	3865	3723	3415	3059	2626	2034			TXB-18152	1300	1-1/2	6254
1.31/24	1.32/23	1.32/22	1.33/22	1.33/21	1.34/21	1.34/20	1.35/19.5	1.34/18.8	1.3/18.2	1.19/18.2						
4666	4555	4438	4318	4194	4066	3931	3643	3318	2937	2456	1748		TXB-18153	1350	1-1/2	6494
1.47/25	1.47/24	1.48/24	1.48/23	1.49/23	1.49/22	1.5/22	1.51/21	1.5/20	1.48/19.6	1.41/19	1.22/19					
4839	4732	4620	4505	4386	4263	4136	3865	3565	3221	2809	2269		TXB-18201	1400	2	6735
1.64/27	1.64/26	1.65/25	1.65/25	1.66/24	1.66/24	1.67/23	1.68/23	1.68/22	1.66/21	1.62/21	1.5/20					
5011	4909	4801	4690	4576	4459	4338	4082	3802	3488	3123	2676		TXB-18202	1450	2	6975
1.82/28	1.83/27	1.83/27	1.84/26	1.84/26	1.85/25	1.76/25	1.86/24	1.87/23	1.86/23	1.83/22	1.75/22					
5184	5085	4981	4875	4765	4653	4538	4294	4031	3741	3412	3025		TXB-18203	1500	2	7216
2.02/30	2.02/29	2.03/28	2.03/28	2.04/27	2.04/27	2.05/26	2.06/26	2.07/25	2.06/24	2.04/24	1.99/23					

Power Ratings (BHP) does not include transmission losses.
 Performance certified is for installation type A - free inlet, free outlet.
 Performance ratings do not include the effects of birdscreen in the airstream.
 The sound ratings shown are loudness values in fan sones @ 5' (1.5m) in a hemispherical free field calculated per AMCA Standard 301. Values shown are for: Installation Type A: free inlet hemispherical sone levels.



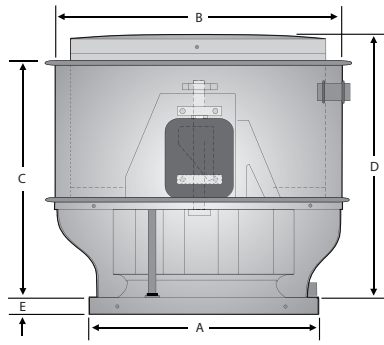
JencoFan, Div. of Soler & Palau Ventilation Group, certifies that the Models TXB shown herein are licensed to bear the AMCA Seal. The ratings shown are based on test and procedures performed in accordance with AMCA Publication 211 and AMCA Publication 311 and comply with the requirement of the AMCA Certified Ratings Program.



UL STANDARD 705 for Electrical
 UL STANDARD 762 for Grease Removal



SIZE 18 - HIGH PRESSURE



Dimensions (in.)				
A	B	C	D	E
29-1/2	37-3/4	28-1/2	32	2-1/2

Dimensional Data				Metal Thickness			Avg. Ship Wt. (lbs.)
Damper		Roof Opening	Curb OD	Curb Cap	Wind Band	Motor Cover	
ID	OD						
24	24	24-3/4	27-3/4	.080	.050	.050	120

CFM / BHP @ Static Pressure / Sones													Catalog Number	RPM	HP	Tip Speed
5/8	3/4	1	1-1/4	1-1/2	1-3/4	2	2-1/4	2-1/2	2-3/4	3	3-1/4					
1326	-	-	-	-	-	-	-	-	-	-	-	-	TXBHP-18254	805	1/3	3872
0.24/13.1	-	-	-	-	-	-	-	-	-	-	-	-	-	-	-	-
1479	-	-	-	-	-	-	-	-	-	-	-	-	TXBHP-18331	825	1/3	3969
0.26/13.5	-	-	-	-	-	-	-	-	-	-	-	-	-	-	-	-
1611	-	-	-	-	-	-	-	-	-	-	-	-	TXBHP-18332	845	1/3	4065
0.29/14.0	-	-	-	-	-	-	-	-	-	-	-	-	-	-	-	-
1731	1293	-	-	-	-	-	-	-	-	-	-	-	TXBHP-18333	865	1/3	4161
0.31/14.5	0.28/14.4	-	-	-	-	-	-	-	-	-	-	-	-	-	-	-
1842	1480	-	-	-	-	-	-	-	-	-	-	-	TXBHP-18334	885	1/3	4257
0.33/15.0	0.32/14.9	-	-	-	-	-	-	-	-	-	-	-	-	-	-	-
2021	1729	-	-	-	-	-	-	-	-	-	-	-	TXBHP-18501	920	1/2	4426
0.37/15.9	0.37/15.8	-	-	-	-	-	-	-	-	-	-	-	-	-	-	-
2164	1910	-	-	-	-	-	-	-	-	-	-	-	TXBHP-18502	950	1/2	4570
0.41/16.7	0.41/16.5	-	-	-	-	-	-	-	-	-	-	-	-	-	-	-
2323	2099	1244	-	-	-	-	-	-	-	-	-	-	TXBHP-18503	985	1/2	4738
0.45/17.8	0.46/17.7	0.38/17.5	-	-	-	-	-	-	-	-	-	-	-	-	-	-
2456	2249	1651	-	-	-	-	-	-	-	-	-	-	TXBHP-18504	1015	1/2	4883
0.50/19.4	0.50/19.2	0.47/18.9	-	-	-	-	-	-	-	-	-	-	-	-	-	-
2584	2391	1881	-	-	-	-	-	-	-	-	-	-	TXBHP-18751	1045	3/4	5027
0.54/21	0.55/21	0.53/21	-	-	-	-	-	-	-	-	-	-	-	-	-	-
2707	2527	2076	-	-	-	-	-	-	-	-	-	-	TXBHP-18752	1075	3/4	5171
0.58/23	0.59/23	0.59/22	-	-	-	-	-	-	-	-	-	-	-	-	-	-
2808	2639	2223	-	-	-	-	-	-	-	-	-	-	TXBHP-18753	1100	3/4	5292
0.62/24	0.63/24	0.64/24	-	-	-	-	-	-	-	-	-	-	-	-	-	-
2925	2768	2386	1802	-	-	-	-	-	-	-	-	-	TXBHP-18754	1130	3/4	5436
0.67/28	0.68/26	0.69/26	0.65/26	-	-	-	-	-	-	-	-	-	-	-	-	-
3040	2894	2538	2044	-	-	-	-	-	-	-	-	-	TXBHP-18755	1160	3/4	5580
0.72/29	0.73/29	0.75/30	0.72/28	-	-	-	-	-	-	-	-	-	-	-	-	-
3206	3076	2753	2340	-	-	-	-	-	-	-	-	-	TXBHP-18101	1205	1	5797
0.80/33	0.82/35	0.84/32	0.83/32	-	-	-	-	-	-	-	-	-	-	-	-	-
3388	3270	2980	2623	2120	-	-	-	-	-	-	-	-	TXBHP-18102	1255	1	6037
0.90/40	0.92/40	0.94/37	0.95/39	0.90/39	-	-	-	-	-	-	-	-	-	-	-	-
3548	3439	3176	2852	2439	-	-	-	-	-	-	-	-	TXBHP-18103	1300	1	6254
1.00/42	1.01/41	1.04/41	1.05/41	1.03/40	-	-	-	-	-	-	-	-	-	-	-	-
3742	3639	3405	3114	2766	2285	-	-	-	-	-	-	-	TXBHP-18151	1355	1-1/2	6518
1.12/44	1.14/44	1.17/44	1.19/43	1.19/43	1.14/43	-	-	-	-	-	-	-	-	-	-	-
3935	3837	3625	3362	3055	2671	2083	-	-	-	-	-	-	TXBHP-18152	1410	1-1/2	6783
1.25/44	1.27/47	1.31/46	1.33/46	1.35/45	1.32/45	1.22/45	-	-	-	-	-	-	-	-	-	-
4126	4032	3837	3600	3321	2995	2568	-	-	-	-	-	-	TXBHP-18153	1465	1-1/2	7047
1.39/49	1.42/49	1.46/49	1.49/48	1.51/48	1.51/48	1.45/48	-	-	-	-	-	-	-	-	-	-
4315	4224	4040	3828	3573	3284	2934	2453	-	-	-	-	-	TXBHP-18201	1520	2	7312
1.55/52	1.57/52	1.61/51	1.65/51	1.67/51	1.69/51	1.66/51	1.58/51	-	-	-	-	-	-	-	-	-
4503	4416	4240	4047	3816	3553	3250	2873	-	-	-	-	-	TXBHP-18202	1575	2	7576
1.71/55	1.74/54	1.78/54	1.82/54	1.85/54	1.87/53	1.87/53	1.83/53	-	-	-	-	-	-	-	-	-
4690	4606	4437	4259	4049	3806	3537	3219	2813	-	-	-	-	TXBHP-18203	1630	2	7841
1.88/57	1.91/57	1.97/56	2.01/56	2.04/56	2.06/56	2.08/56	2.06/56	1.99/56	-	-	-	-	-	-	-	-
5061	4983	4825	4665	4490	4287	4057	3807	3518	3168	2690	-	-	TXBHP-183001	1740	3	8370
2.27/62	2.30/62	2.36/62	2.41/62	2.45/62	2.49/62	2.51/61	2.53/61	2.52/61	2.46/61	2.34/61	-	-	-	-	-	-
5428	5356	5208	5059	4906	4735	4540	4323	4090	3829	3522	3141	-	TXBHP-183002	1850	3	8899
2.70/68	2.74/68	2.81/68	2.86/68	2.92/68	2.96/68	2.99/68	3.02/68	3.04/68	3.03/68	2.99/68	2.90/68	-	-	-	-	-

Power Ratings (BHP) does not include transmission losses.
 Performance certified is for installation type A - free inlet, free outlet.
 Performance ratings do not include the effects of birdscreen in the airstream.
 The sound ratings shown are loudness values in fan sones @ 5' (1.5m) in a hemispherical free field calculated per AMCA Standard 301. Values shown are for: Installation Type A: free inlet hemispherical sone levels.



JencoFan, Div. of Soler & Palau Ventilation Group, certifies that the Models TXB shown herein are licensed to bear the AMCA Seal. The ratings shown are based on test and procedures performed in accordance with AMCA Publication 211 and AMCA Publication 311 and comply with the requirement of the AMCA Certified Ratings Program.

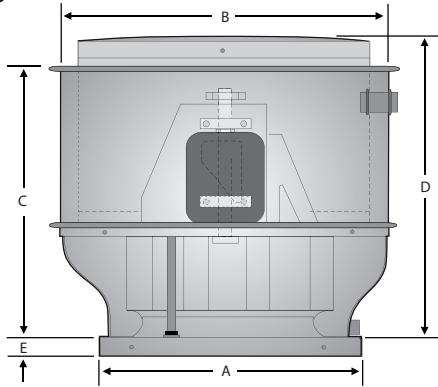


UL STANDARD 705 for Electrical
 UL STANDARD 762 for
 Grease Removal



MODEL TXB
BELT DRIVE CENTRIFUGAL UPBLAST ROOF EXHAUSTER

SIZE 20



Dimensions (in.)				
A	B	C	D	E
29-1/2	37-3/4	28-1/2	32	2-1/2

Dimensional Data				Metal Thickness			Avg. Ship Wt. (lbs.)
Damper		Roof Opening	Curb OD	Curb Cap	Wind Band	Motor Cover	
ID	OD						
24	24	24-3/4	27-3/4	.063	.050	.050	120

CFM / BHP @ Static Pressure / Sones											RPM	HP	Tip Speed
0	1/8	1/4	3/8	1/2	5/8	3/4	7/8	1	1-1/4	Catalog Number			
2813	2452	1962	-	-	-	-	-	-	-	TXB-20251	525	1/4	2935
0.15/7.6	0.16/6.7	0.17/6.4	-	-	-	-	-	-	-	TXB-20252	620	1/4	3466
3322	3023	2684	2182	1366	-	-	-	-	-	TXB-20331	640	1/3	3578
0.24/10.3	0.26/9.4	0.27/8.9	0.27/8.7	0.22/8.6	-	-	-	-	-	TXB-20332	675	1/3	3773
3429	3140	2818	2376	1660	-	-	-	-	-	TXB-20501	705	1/2	3941
0.26/10.7	0.28/9.8	0.30/9.3	0.30/9.1	0.26/9.0	-	-	-	-	-	TXB-20502	740	1/2	4137
3617	3345	3045	2676	2087	1191	-	-	-	-	TXB-20503	775	1/2	4332
0.31/11.4	0.33/10.6	0.35/10.0	0.36/9.8	0.33/9.7	0.26/9.5	-	-	-	-	TXB-20751	800	3/4	4472
3777	3518	3235	2906	2407	1708	-	-	-	-	TXB-20752	825	3/4	4612
0.35/11.9	0.38/11.2	0.39/10.6	0.41/10.4	0.39/10.2	0.34/10.0	-	-	-	-	TXB-20753	850	3/4	4752
3965	3719	3452	3155	2753	2165	1318	-	-	-	TXB-20754	875	3/4	4891
0.41/12.8	0.43/12	0.45/11.4	0.47/11.2	0.46/11.0	0.43/10.8	0.35/10.6	-	-	-	TXB-20101	905	1	5059
4152	3919	3666	3392	3054	2554	1910	-	-	-	TXB-20102	940	1	5255
0.47/13.7	0.49/13.2	0.52/12.5	0.53/12.2	0.54/12.0	0.51/11.8	0.46/11.6	-	-	-	TXB-20103	975	1	5450
4286	4060	3817	3557	3250	2813	2242	1439	-	-	TXB-20151	1010	1-1/2	5646
0.52/14.4	0.54/13.8	0.56/13.4	0.58/13.0	0.59/12.7	0.58/12.6	0.53/12.4	0.44/12.1	-	-	TXB-20152	1045	1-1/2	5842
4420	4202	3967	3718	3436	3056	2537	1883	-	-	TXB-20153	1080	1-1/2	6037
0.57/15.2	0.59/14.6	0.62/14.0	0.64/13.7	0.65/13.6	0.64/13.3	0.60/13.1	0.54/12.9	-	-	TXB-20154	1115	1-1/2	6233
4554	4343	4116	3877	3612	3278	2809	2241	1423	-	TXB-20201	1150	2	6429
0.62/16.0	0.65/15.4	0.67/14.8	0.69/14.4	0.71/14.2	0.71/14.2	0.68/14	0.62/13.8	0.51/13.6	-	TXB-20202	1175	2	6568
4688	4483	4264	4034	3784	3482	3067	2554	1902	-	TXB-20203	1200	2	6708
0.68/16.9	0.70/16.3	0.73/15.7	0.75/15.2	0.77/15.0	0.77/14.8	0.75/14.6	0.71/14.3	0.63/14.1	-	TXB-20204	1225	2	6848
4849	4651	4441	4220	3984	3713	3359	2894	2346	-				
0.75/17.8	0.78/17.3	0.80/16.7	0.83/16.2	0.85/16.0	0.86/15.6	0.85/15.6	0.81/15.3	0.75/15.1	-				
5037	4846	4645	4434	4212	3967	3665	3261	2785	-				
0.84/18.9	0.87/18.4	0.90/17.9	0.92/17.4	0.94/17.1	0.96/16.9	0.96/16.8	0.93/16.4	0.88/16.1	-				
5224	5041	4848	4646	4436	4208	3944	3605	3175	2072				
0.93/20	0.96/19.6	1.00/19.1	1.02/18.5	1.05/18.2	1.07/18	1.07/17.9	1.06/17.7	1.02/17.5	0.86/17.1				
5412	5235	5050	4856	4656	4442	4205	3915	3538	2598				
1.04/22	1.07/21	1.10/21	1.13/19.8	1.16/19.3	1.18/19.2	1.19/19.0	1.19/18.9	1.16/18.8	1.03/18.5				
5599	5429	5251	5065	4873	4671	4452	4197	3879	3043				
1.15/23	1.18/22	1.22/22	1.25/21	1.27/21	1.30/20	1.32/20	1.32/20	1.30/20	1.20/19.3				
5787	5622	5451	5272	5087	4895	4690	4462	4187	3441				
1.27/24	1.30/24	1.34/23	1.37/23	1.40/22	1.42/22	1.45/22	1.46/21	1.45/21	1.37/21				
5974	5815	5649	5477	5300	5116	4923	4713	4470	3808				
1.40/26	1.43/25	1.47/24	1.50/24	1.53/23	1.56/23	1.58/23	1.60/23	1.60/23	1.55/22				
6162	6008	5848	5682	5510	5335	5151	4954	4736	4163				
1.53/27	1.57/26	1.60/26	1.64/25	1.67/25	1.70/24	1.73/24	1.75/24	1.76/24	1.72/23				
6296	6145	5989	5827	5660	5489	5311	5123	4918	4398				
1.64/28	1.67/28	1.71/27	1.75/26	1.78/26	1.81/25	1.83/25	1.86/25	1.88/25	1.85/25				
6430	6282	6130	5972	5809	5642	5470	5289	5094	4618				
1.74/29	1.78/29	1.82/28	1.85/27	1.89/27	1.92/26	1.95/26	1.97/26	2.00/26	1.99/26				
6564	6419	6270	6116	5957	5795	5627	5452	5267	4825				
1.85/30	1.89/30	1.93/29	1.97/28	2.00/28	2.04/27	2.07/27	2.09/27	2.12/27	2.12/26				

Power Ratings (BHP) does not include transmission losses.
 Performance certified is for installation type A - free inlet, free outlet.
 Performance ratings do not include the effects of birdscreen in the airstream.
 The sound ratings shown are loudness values in fan sones @ 5' (1.5m) in a hemispherical free field calculated per AMCA Standard 301. Values shown are for: Installation Type A: free inlet hemispherical sone levels.

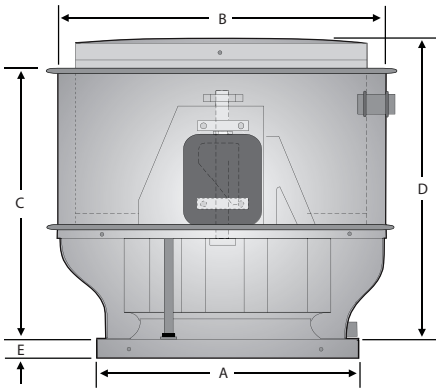


JencoFan, Div. of Soler & Palau Ventilation Group, certifies that the Models TXB shown herein are licensed to bear the AMCA Seal. The ratings shown are based on test and procedures performed in accordance with AMCA Publication 211 and AMCA Publication 311 and comply with the requirement of the AMCA Certified Ratings Program.





SIZE 20 - HIGH PRESSURE



Dimensions (in.)				
A	B	C	D	E
29-1/2	37-3/4	28-1/2	32	2-1/2

Dimensional Data				Metal Thickness			Avg. Ship Wt. (lbs.)
Damper		Roof Opening	Curb OD	Curb Cap	Wind Band	Motor Cover	
ID	OD						
24	24	24-3/4	27-3/4	.080	.050	.050	120

CFM / BHP @ Static Pressure / Sones													RPM	HP	Tip Speed
3/8	1/2	5/8	3/4	7/8	1	1-1/4	1-1/2	1-3/4	2	2-1/4	2-1/2	Catalog Number			
2313 0.30/9.4	1909 0.29/8.3	1373 0.26/7.4	-	-	-	-	-	-	-	-	-	TXBHP-20501	700	1/2	3940
2612 0.36/10.4	2286 0.36/9.6	1858 0.35/8.7	1316 0.31/8.0	-	-	-	-	-	-	-	-	TXBHP-20502	750	1/2	4222
2890 0.44/11.5	2619 0.44/10.7	2272 0.44/10.0	1837 0.41/9.3	1301 0.37/8.7	-	-	-	-	-	-	-	TXBHP-20503	800	1/2	4503
3156 0.52/12.7	2923 0.53/11.9	2635 0.53/11.2	2279 0.52/10.5	1848 0.49/9.9	1324 0.44/9.4	-	-	-	-	-	-	TXBHP-20504	850	1/2	4784
3284 0.57/13.4	3067 0.58/12.7	2803 0.58/12.0	2478 0.57/11.4	2086 0.55/10.7	1622 0.51/10.2	-	-	-	-	-	-	TXBHP-20751	875	3/4	4925
3437 0.63/14.6	3235 0.64/13.8	2994 0.64/13.1	2703 0.64/12.4	2352 0.62/11.8	1938 0.59/11.2	-	-	-	-	-	-	TXBHP-20752	905	3/4	5094
3586 0.69/15.8	3398 0.70/15.0	3177 0.71/14.3	2913 0.71/13.6	2598 0.69/12.9	2227 0.67/12.3	1268 0.55/11.4	-	-	-	-	-	TXBHP-20753	935	3/4	5263
3734 0.75/16.9	3558 0.77/16.2	3353 0.78/15.5	3112 0.78/14.8	2828 0.77/14.1	2493 0.75/13.5	1661 0.66/12.3	-	-	-	-	-	TXBHP-20754	965	3/4	5432
4000 0.88/19.2	3842 0.90/18.6	3662 0.91/17.8	3455 0.92/17.1	3215 0.92/16.4	2936 0.91/15.7	2248 0.85/14.4	1324 0.71/13.6	-	-	-	-	TXBHP-20101	1020	1	5741
4238 1.01/21	4093 1.03/21	3931 1.05/20	3747 1.06/19.4	3538 1.06/18.7	3298 1.06/18.0	2710 1.02/16.5	1968 0.93/15.3	-	-	-	-	TXBHP-20102	1070	1	6023
4427 1.13/23	4290 1.15/23	4139 1.17/22	3971 1.18/21	3781 1.18/21	3566 1.18/20	3045 1.16/18.5	2390 1.09/17.1	1555 0.94/16.2	-	-	-	TXBHP-20151	1110	1-1/2	6248
4614 1.25/25	4485 1.27/25	4344 1.29/24	4188 1.30/24	4014 1.31/23	3820 1.32/22	3354 1.30/20	2772 1.25/19.0	2061 1.14/17.6	-	-	-	TXBHP-20152	1150	1-1/2	6473
4799 1.38/28	4677 1.40/27	4545 1.42/27	4400 1.44/26	4240 1.45/25	4062 1.46/24	3643 1.45/23	3122 1.41/21	2492 1.33/19.6	1710 1.17/18.6	-	-	TXBHP-20153	1190	1-1/2	6698
4960 1.50/30	4844 1.52/29	4718 1.55/29	4581 1.56/28	4431 1.58/27	4266 1.59/27	3881 1.59/25	3408 1.56/23	2835 1.49/21	2153 1.37/20	1120 1.05/19.8	-	TXBHP-20154	1225	1-1/2	6895
5167 1.66/32	5057 1.69/31	4938 1.71/31	4810 1.74/31	4672 1.75/30	4520 1.77/29	4172 1.77/27	3750 1.76/26	3241 1.70/24	2642 1.61/22	1920 1.77/21	-	TXBHP-20201	1270	2	7148
5349 1.82/33	5244 1.85/33	5131 1.87/32	5011 1.90/32	4880 1.92/31	4739 1.93/30	4419 1.95/29	4035 1.94/27	3576 1.90/26	3034 1.82/24	2405 1.70/22	1596 1.46/22	TXBHP-20202	1310	2	7374
5531 1.98/34	5430 2.01/34	5323 2.04/34	5208 2.07/34	5086 2.09/33	4954 2.11/32	4656 2.13/31	4305 2.13/29	3888 2.10/27	3398 2.04/26	2832 1.94/24	2170 1.44/23	TXBHP-20203	1350	2	7599
5712 2.16/35	5615 2.19/35	5512 2.22/35	5404 2.25/35	5287 2.27/34	5163 2.29/33	4886 2.32/32	4563 2.33/30	4183 2.31/29	3737 2.26/27	3223 2.18/26	2637 2.05/24	TXBHP-20301	1390	3	7824
5869 2.32/36	5776 2.35/36	5677 2.38/36	5573 2.41/35	5462 2.44/35	5344 2.46/34	5082 2.49/33	4780 2.51/31	4428 2.50/30	4017 2.46/28	3543 2.39/27	3005 2.28/26	TXBHP-20302	1425	3	8021
6027 2.49/37	5936 2.52/37	5841 2.56/36	5741 2.59/36	5635 2.61/36	5522 2.64/35	5274 2.68/34	4990 2.69/33	4662 2.69/31	4283 2.66/30	3845 2.61/28	3349 2.51/27	TXBHP-20303	1460	3	8218
6184 2.67/38	6096 2.70/38	6004 2.74/37	5908 2.77/37	5806 2.80/37	5698 2.82/36	5462 2.86/35	5195 2.89/34	4888 2.89/32	4536 2.88/32	4131 2.83/30	3672 2.75/29	TXBHP-20304	1495	3	8415
6340 2.85/38	6255 2.89/38	6167 2.92/38	6073 2.96/38	5975 2.99/38	5872 3.02/37	5647 3.06/36	5394 3.09/35	5107 3.10/34	4779 3.09/32	4403 3.06/31	3977 2.99/30	TXBHP-20305	1530	3	8612

Power Ratings (BHP) does not include transmission losses. Performance certified is for installation type A - free inlet, free outlet. Performance ratings do not include the effects of birdscreen in the airstream. The sound ratings shown are loudness values in fan sones @ 5' (1.5m) in a hemispherical free field calculated per AMCA Standard 301. Values shown are for: Installation Type A: free inlet hemispherical sone levels.

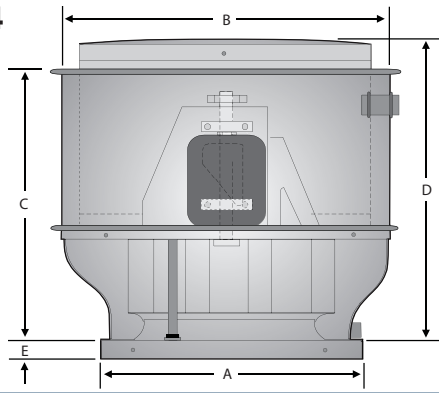
JencoFan, Div. of Soler & Palau Ventilation Group, certifies that the Models TXB shown herein are licensed to bear the AMCA Seal. The ratings shown are based on test and procedures performed in accordance with AMCA Publication 211 and AMCA Publication 311 and comply with the requirement of the AMCA Certified Ratings Program.

UL STANDARD 705 for Electrical
UL STANDARD 762 for Grease Removal



MODEL TXB
BELT DRIVE CENTRIFUGAL UPBLAST ROOF EXHAUSTER

SIZE 24



Dimensions (in.)				
A	B	C	D	E
35-1/2	47-1/4	31-1/2	42	2-1/2

Dimensional Data				Metal Thickness			Avg. Ship Wt. (lbs.)
Damper		Roof Opening	Curb OD	Curb Cap	Wind Band	Motor Cover	
ID	OD						
30	30	30-3/4	33-3/4	.10	.050	.050	245

CFM / BHP @ Static Pressure / Sones														RPM	HP	Tip Speed
0	1/8	1/4	3/8	1/2	5/8	3/4	1	1-1/4	1-1/2	1-3/4	2	Catalog Number				
3681	3200	2377	-	-	-	-	-	-	-	-	-	TXB-24251	400	1/4	2566	
0.15/7.3	0.17/6.0	0.17/4.6	-	-	-	-	-	-	-	-	-	-	-	-	-	
4141	3728	3170	-	-	-	-	-	-	-	-	-	TXB-24252	450	1/4	2886	
0.22/9.1	0.24/7.8	0.25/6.4	-	-	-	-	-	-	-	-	-	-	-	-	-	
4371	3985	3490	2537	-	-	-	-	-	-	-	-	TXB-24331	475	1/3	3047	
0.26/9.8	0.29/8.5	0.29/7.3	0.27/6.0	-	-	-	-	-	-	-	-	-	-	-	-	
4555	4188	3731	3018	-	-	-	-	-	-	-	-	TXB-24332	495	1/3	3175	
0.29/10.3	0.32/9.2	0.33/8.0	0.33/6.8	-	-	-	-	-	-	-	-	-	-	-	-	
4601	4238	3789	3114	-	-	-	-	-	-	-	-	TXB-24501	500	1/2	3207	
0.30/10.4	0.33/9.3	0.34/8.2	0.34/6.9	-	-	-	-	-	-	-	-	-	-	-	-	
4831	4488	4077	3516	2235	-	-	-	-	-	-	-	TXB-24502	525	1/2	3367	
0.35/11.1	0.38/10.0	0.40/9.0	0.40/7.8	0.34/6.8	-	-	-	-	-	-	-	-	-	-	-	
5015	4687	4300	3800	2825	-	-	-	-	-	-	-	TXB-24503	545	1/2	3496	
0.39/11.6	0.42/10.6	0.44/9.7	0.44/8.5	0.41/7.6	-	-	-	-	-	-	-	-	-	-	-	
5199	4884	4519	4063	3346	-	-	-	-	-	-	-	TXB-24504	565	1/2	3624	
0.44/12.2	0.47/11.2	0.49/10.3	0.50/9.2	0.48/8.3	-	-	-	-	-	-	-	-	-	-	-	
5291	4982	4626	4190	3552	1261	-	-	-	-	-	-	TXB-24751	575	3/4	3688	
0.46/12.6	0.49/11.5	0.52/10.6	0.52/9.5	0.52/8.6	0.28/7.8	-	-	-	-	-	-	-	-	-	-	
5705	5421	5103	4730	4259	3462	-	-	-	-	-	-	TXB-24752	620	3/4	3977	
0.58/14.3	0.61/13.3	0.64/12.4	0.65/11.4	0.66/10.4	0.62/9.5	-	-	-	-	-	-	-	-	-	-	
5935	5663	5362	5016	4596	4012	2813	-	-	-	-	-	TXB-24753	645	3/4	4137	
0.65/15.4	0.69/14.3	0.72/13.4	0.73/12.6	0.74/11.4	0.73/10.5	0.63/9.6	-	-	-	-	-	-	-	-	-	
5981	5712	5413	5072	4661	4099	2979	-	-	-	-	-	TXB-24754	650	3/4	4169	
0.66/15.6	0.70/14.5	0.73/13.6	0.75/12.8	0.75/11.6	0.75/10.7	0.66/9.8	-	-	-	-	-	-	-	-	-	
6212	5953	5669	5349	4975	4498	3680	-	-	-	-	-	TXB-24101	675	1	4329	
0.74/16.6	0.79/15.6	0.82/14.7	0.84/13.7	0.84/12.8	0.84/11.8	0.79/10.8	-	-	-	-	-	-	-	-	-	
6396	6145	5871	5567	5216	4787	4163	-	-	-	-	-	TXB-24102	695	1	4458	
0.81/17.4	0.86/16.5	0.89/15.6	0.91/14.7	0.92/13.6	0.92/12.6	0.90/11.7	-	-	-	-	-	-	-	-	-	
6580	6336	6073	5782	5451	5058	4541	-	-	-	-	-	TXB-24103	715	1	4586	
0.88/18.4	0.93/17.3	0.97/16.4	0.99/15.6	1.00/14.6	1.00/13.5	1.00/12.6	-	-	-	-	-	-	-	-	-	
6626	6384	6123	5835	5509	5124	4623	-	-	-	-	-	TXB-24104	720	1	4618	
0.90/18.6	0.95/17.6	0.98/16.6	1.01/15.8	1.02/14.8	1.03/13.7	1.02/12.8	-	-	-	-	-	-	-	-	-	
6856	6623	6373	6099	5794	5442	5011	3256	-	-	-	-	TXB-24151	745	1-1/2	4778	
1.00/19.8	1.05/18.8	1.09/17.8	1.11/16.9	1.13/16.0	1.13/14.9	1.14/13.9	0.97/12.2	-	-	-	-	-	-	-	-	
7178	6956	6720	6464	6183	5867	5498	4265	-	-	-	-	TXB-24152	780	1-1/2	5003	
1.15/21	1.120/20	1.24/19.5	1.27/18.6	1.29/17.7	1.30/16.7	1.30/15.6	1.22/13.8	-	-	-	-	-	-	-	-	
7362	7146	6917	6670	6401	6102	5759	4754	-	-	-	-	TXB-24153	800	1-1/2	5131	
1.24/23	1.29/21	1.33/21	1.37/19.6	1.39/18.7	1.40/17.7	1.41/16.6	1.37/14.7	-	-	-	-	-	-	-	-	
7546	7336	7113	6874	6616	6332	6010	5146	2245	-	-	-	TXB-24154	820	1-1/2	5259	
1.33/24	1.39/23	1.43/22	1.47/21	1.49/19.7	1.15/18.7	1.51/17.6	1.50/15.7	0.93/14.0	-	-	-	-	-	-	-	
7730	7525	7309	7078	6829	6557	6254	5477	3873	-	-	-	TXB-24201	840	2	5388	
1.43/25	1.49/24	1.54/23	1.57/22	1.60/21	1.62/19.8	1.63/18.7	1.62/16.7	1.43/15.0	-	-	-	-	-	-	-	
7960	7761	7552	7330	7092	6835	6552	5854	4566	-	-	-	TXB-24202	865	2	5548	
1.56/26	1.62/25	1.67/24	1.71/23	1.74/22	1.76/21	1.77/20	1.78/18	1.63/16.2	-	-	-	-	-	-	-	
8098	7903	7698	7481	7249	6999	6726	6067	4977	-	-	-	TXB-24203	880	2	5644	
1.65/27	1.71/26	1.76/25	1.80/24	1.83/23	1.85/22	1.87/21	1.87/18.8	1.78/17.0	-	-	-	-	-	-	-	
8282	8091	7892	7681	7457	7216	6956	6339	5433	-	-	-	TXB-24204	900	2	5773	
1.76/28	1.82/27	1.87/26	1.92/24	1.95/23	1.98/23	1.99/22	2.00/19.8	1.96/18.0	-	-	-	-	-	-	-	
8742	8562	8374	8178	7970	7750	7514	6979	6292	5073	-	-	TXB-24301	950	3	6093	
2.07/30	2.14/29	2.19/28	2.24/27	2.28/26	2.31/25	2.33/24	2.35/22	2.35/20	2.18/18.8	-	-	-	-	-	-	
9432	9266	9093	8914	8727	8531	8324	7869	7334	6649	5447	-	TXB-24302	1025	3	6574	
2.60/32	2.67/32	2.74/31	2.79/30	2.84/29	2.88/28	2.91/28	2.95/26	2.96/24	2.95/23	2.73/21	-	-	-	-	-	

Power Ratings (BHP) does not include transmission losses. Performance certified is for installation type A - free inlet, free outlet. Performance ratings do not include the effects of birdscreens in the airstream. The sound ratings shown are loudness values in fan sones @ 5' (1.5m) in a hemispherical free field calculated per AMCA Standard 301. Values shown are for: Installation Type A: free inlet hemispherical sone levels.

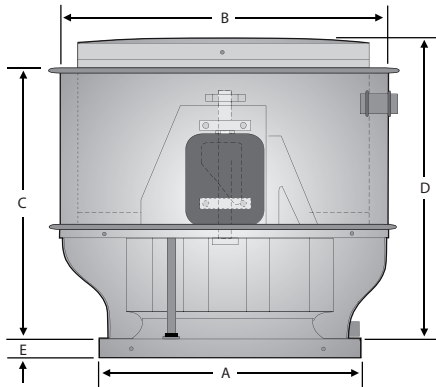


JencoFan, Div. of Soler & Palau Ventilation Group, certifies that the Models TXB shown herein are licensed to bear the AMCA Seal. The ratings shown are based on test and procedures performed in accordance with AMCA Publication 211 and AMCA Publication 311 and comply with the requirement of the AMCA Certified Ratings Program.



UL STANDARD 705 for Electrical
UL STANDARD 762 for Grease Removal

SIZE 24 - HIGH PRESSURE



Dimensions (in.)				
A	B	C	D	E
35-1/2	47-1/4	31-1/2	42	2-1/2

Dimensional Data				Metal Thickness			Avg. Ship Wt. (lbs.)
Damper		Roof Opening	Curb OD	Curb Cap	Wind Band	Motor Cover	
ID	OD						
30	30	30-3/4	33-3/4	.10	.050	.050	245

CFM / BHP @ Static Pressure / Sones													RPM	HP	Tip Speed
1/2	5/8	3/4	1	1-1/4	1-1/2	1-3/4	2	2-1/4	2-1/2	2-3/4	3	Catalog Number			
2597 0.38/7.7	1496 0.31/7.5	-	-	-	-	-	-	-	-	-	-	TXBHP-24501	580	1/2	3720
3129 0.47/9.0	2441 0.45/8.4	-	-	-	-	-	-	-	-	-	-	TXBHP-24503	620	1/2	3977
3364 0.52/9.7	2775 0.5/9.0	1785 0.44/8.9	-	-	-	-	-	-	-	-	-	TXBHP-24504	640	1/2	4105
3639 0.58/10.7	3137 0.57/10.0	2399 0.54/9.6	-	-	-	-	-	-	-	-	-	TXBHP-24751	665	3/4	4265
3848 0.63/11.5	3397 0.63/10.7	2777 0.61/10.1	-	-	-	-	-	-	-	-	-	TXBHP-24752	685	3/4	4394
4294 0.76/13.3	3922 0.77/12.6	3457 0.76/12.0	1766 0.61/11.5	-	-	-	-	-	-	-	-	TXBHP-24754	730	3/4	4682
4483 0.82/14.0	4138 0.83/13.5	3717 0.83/12.8	2362 0.73/12.1	-	-	-	-	-	-	-	-	TXBHP-24101	750	1	4810
4668 0.88/14.8	4345 0.9/14.3	3959 0.9/13.6	2814 0.84/12.7	-	-	-	-	-	-	-	-	TXBHP-24102	770	1	4939
4850 0.95/15.7	4546 0.96/15.2	4189 0.97/14.5	3190 0.93/13.3	439 0.43/13.3	-	-	-	-	-	-	-	TXBHP-24103	790	1	5067
5028 1.02/16.5	4741 1.04/16.0	4409 1.05/15.5	3518 1.02/14.1	1738 0.79/13.9	-	-	-	-	-	-	-	TXBHP-24104	810	1	5195
5291 1.13/17.7	5026 1.15/17.3	4724 1.16/16.9	3952 1.16/15.5	2678 1.04/15.0	-	-	-	-	-	-	-	TXBHP-24151	840	1-1/2	5388
5550 1.25/19.0	5302 1.27/18.5	5025 1.29/18.1	4341 1.29/16.9	3325 1.22/16.0	948 0.73/16.0	-	-	-	-	-	-	TXBHP-24152	870	1-1/2	5580
5762 1.35/20	5527 1.38/19.6	5267 1.4/19.2	4641 1.41/18.1	3764 1.37/16.9	2197 1.13/16.8	-	-	-	-	-	-	TXBHP-24153	895	1-1/2	5740
6013 1.49/22	5793 1.51/21	5550 1.53/21	4979 1.56/19.6	4221 1.54/18.4	3051 1.4/17.9	-	-	-	-	-	-	TXBHP-24154	925	1-1/2	5933
6221 1.6/23	6010 1.63/22	5780 1.66/22	5248 1.68/21	4564 1.68/19.6	3585 1.59/18.8	1671 1.17/18.8	-	-	-	-	-	TXBHP-24201	950	2	6093
6426 1.73/24	6224 1.76/23	6006 1.78/23	5506 1.82/22	4882 1.82/21	4034 1.76/19.7	2646 1.52/19.7	-	-	-	-	-	TXBHP-24202	975	2	6254
6589 1.83/25	6394 1.86/24	6184 1.89/24	5708 1.93/23	5122 1.94/22	4354 1.9/21	3196 1.73/20	-	-	-	-	-	TXBHP-24203	995	2	6382
6792 1.97/26	6605 2/25	6404 2.03/25	5953 2.07/24	5410 2.09/23	4719 2.06/22	3751 1.95/21	2000 1.52/21	-	-	-	-	TXBHP-24204	1020	2	6542
7353 2.38/28	7184 2.41/28	7005 2.45/28	6611 2.5/27	6156 2.54/26	5612 2.55/25	4930 2.51/24	4001 2.38/23	2463 1.97/23	-	-	-	TXBHP-24301	1090	3	6991
7945 2.88/32	7792 2.92/32	7631 2.96/31	7283 3.02/31	6891 3.08/30	6443 3.11/29	5915 3.11/28	5267 3.06/26	4419 2.93/26	3152 2.59/26	-	-	TXBHP-24302	1165	3	7472
8764 3.7/36	8628 3.74/36	8486 3.79/36	8185 3.87/36	7855 3.93/35	7490 3.99/34	7081 4.02/33	6612 4.03/32	6063 4/31	4524 3.92/30	3253 3.72/30	3253 3.28/30	TXBHP-245001	1270	5	8146
9611 4.71/42	9489 4.76/42	9362 4.81/42	9097 4.9/42	8812 4.98/41	8505 5.05/40	8169 5.11/39	7799 5.15/38	7386 5.17/37	6918 5.16/36	6375 5.11/35	5724 5/34	TXBHP-245002	1380	5	8851

Power Ratings (BHP) does not include transmission losses. Performance certified is for installation type A - free inlet, free outlet. Performance ratings do not include the effects of birdscreen in the airstream. The sound ratings shown are loudness values in fan sones @ 5' (1.5m) in a hemispherical free field calculated per AMCA Standard 301. Values shown are for: Installation Type A: free inlet hemispherical sone levels.



JencoFan, Div. of Soler & Palau Ventilation Group, certifies that the Models TXB shown herein are licensed to bear the AMCA Seal. The ratings shown are based on test and procedures performed in accordance with AMCA Publication 211 and AMCA Publication 311 and comply with the requirement of the AMCA Certified Ratings Program.

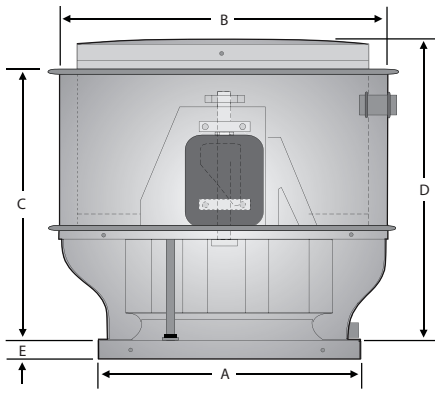




MODEL TXB

BELT DRIVE CENTRIFUGAL UPBLAST ROOF EXHAUSTER

SIZE 30



Dimensions (in.)				
A	B	C	D	E
42-1/2	56-3/4	41	45	2-1/2

Dimensional Data				Metal Thickness			Avg. Ship Wt. (lbs.)
Damper		Roof Opening	Curb OD	Curb Cap	Wind Band	Motor Cover	
ID	OD						
36	36	37-3/4	40-3/4	.090	.050	.050	365

CFM / BHP @ Static Pressure / Sones													RPM	HP	Tip Speed	
1/8	1/4	3/8	1/2	5/8	3/4	1	1-1/4	1-1/2	1-3/4	2	2-1/4	Catalog Number				
3720 0.16/3.8	-	-	-	-	-	-	-	-	-	-	-	-	TXB-30331	280	1/3	2236
4477 0.23/4.9	-	-	-	-	-	-	-	-	-	-	-	-	TXB-30332	315	1/3	2515
5280 0.32/6.2	4249 0.34/5.8	-	-	-	-	-	-	-	-	-	-	-	TXB-30333	355	1/3	2835
5572 0.36/6.7	4639 0.38/6.3	-	-	-	-	-	-	-	-	-	-	-	TXB-30501	370	1/2	2954
5860 0.41/7.2	5005 0.43/6.8	3594 0.41/6.3	-	-	-	-	-	-	-	-	-	-	TXB-30502	385	1/2	3074
6240 0.47/7.9	5466 0.50/7.5	4315 0.49/7.1	-	-	-	-	-	-	-	-	-	-	TXB-30503	405	1/2	3234
6615 0.54/8.6	5902 0.57/8.2	4931 0.58/7.8	3194 0.51/7.2	-	-	-	-	-	-	-	-	-	TXB-30751	425	3/4	3394
6987 0.62/9.3	6322 0.65/8.9	5474 0.67/8.5	4167 0.63/8.1	-	-	-	-	-	-	-	-	-	TXB-30752	445	3/4	3553
7356 0.70/10.0	6730 0.74/9.6	5973 0.76/9.3	4894 0.74/9.0	-	-	-	-	-	-	-	-	-	TXB-30753	465	3/4	3713
7631 0.77/10.7	7032 0.81/10.2	6328 0.83/9.8	5375 0.83/9.6	3866 .075/8.9	-	-	-	-	-	-	-	-	TXB-30101	480	1	3833
7904 0.84/11.3	7328 0.88/10.8	6671 0.91/10.4	5814 0.91/10.2	4598 0.86/9.7	-	-	-	-	-	-	-	-	TXB-30102	495	1	3952
8176 0.91/11.9	7622 0.96/11.5	7003 0.99/11.1	6221 1.00/10.7	5125 0.97/10.4	-	-	-	-	-	-	-	-	TXB-30103	510	1	4072
8628 1.05/13.1	8106 1.10/12.6	7534 1.13/12.2	6850 1.15/11.7	5959 1.15/11.5	4685 1.07/10.9	-	-	-	-	-	-	-	TXB-30151	535	1-1/2	4272
9078 1.20/14.2	8583 1.25/13.8	8050 1.29/13.3	7440 1.32/12.8	6682 1.32/12.5	5662 1.29/12.1	-	-	-	-	-	-	-	TXB-30152	560	1-1/2	4471
9525 1.36/15.3	9055 1.42/14.8	8555 1.46/14.4	8001 1.50/14.0	7334 1.51/13.6	6495 1.50/13.2	-	-	-	-	-	-	-	TXB-30153	585	1-1/2	4671
9881 1.50/16.2	9429 1.56/15.7	8951 1.61/15.2	8431 1.65/14.8	7824 1.67/14.4	7087 1.67/14.2	4766 1.50/13.1	-	-	-	-	-	-	TXB-30201	605	2	4831
10325 1.69/17.3	9894 1.75/16.8	9440 1.80/16.4	8954 1.85/15.9	8407 1.88/15.6	7758 1.89/15.2	5919 1.79/14.4	-	-	-	-	-	-	TXB-30202	630	2	5030
10680 1.85/18.1	10263 1.91/17.7	9827 1.97/17.3	9364 2.02/16.9	8855 2.05/16.5	8262 2.07/16.1	6658 2.02/15.4	-	-	-	-	-	-	TXB-30203	650	2	5190
11122 2.07/19.3	10721 2.13/18.8	10306 2.19/18.4	9868 2.25/18.1	9397 2.29/17.7	8860 2.31/17.3	7484 2.30/16.7	5245 2.08/15.6	-	-	-	-	-	TXB-30301	675	3	5390
11650 2.35/20	11268 2.42/20	10874 2.48/19.8	10462 2.54/19.5	10024 2.59/19.1	9545 2.62/18.8	8360 2.64/18.1	6643 2.52/17.2	-	-	-	-	-	TXB-30302	705	3	5629
12177 2.66/22	11812 2.73/22	11437 2.80/21	11047 2.86/20	10637 2.91/21	10199 2.96/20	9152 3.00/19.6	7730 2.94/19.0	5454 2.65/18.1	-	-	-	-	TXB-30303	735	3	5869
12966 3.17/24	12623 3.24/24	12273 3.32/23	11911 3.39/23	11535 3.45/23	11140 3.50/22	10244 3.57/22	9119 3.57/21	7571 3.44/21	-	-	-	-	TXB-305001	780	5	6228
13839 3.80/26	13518 3.89/26	13191 3.97/26	12856 4.04/25	12511 4.11/25	12152 4.17/25	11374 4.27/25	10439 4.32/24	9268 4.28/23	7696 4.09/23	-	-	-	TXB-305002	830	5	6627
14623 4.44/29	14319 4.53/28	14011 4.62/28	13696 4.70/27	13373 4.78/27	13040 4.85/27	12332 4.96/27	11522 5.04/26	10552 5.05/26	9325 4.97/25	7711 4.71/25	-	-	TXB-305003	875	5	6987
15752 5.50/32	15471 5.59/32	15185 5.69/31	14895 5.78/31	14599 5.86/30	14296 5.94/30	13661 6.08/30	12977 6.19/30	12187 6.26/29	11261 6.26/29	10120 6.17/29	8680 5.93/28	-	TXB-307501	940	7-1/2	7506
16792 6.60/36	16528 6.71/35	16261 6.81/35	15990 6.90/34	15715 7.00/34	15434 7.09/34	14854 7.25/34	14238 7.38/33	13564 7.49/33	12794 7.54/33	11905 7.54/32	10831 7.44/32	-	TXB-307502	1000	7-1/2	7985

Power Ratings (BHP) does not include transmission losses. Performance certified is for installation type A - free inlet, free outlet. Performance ratings do not include the effects of birdscreen in the airstream. The sound ratings shown are loudness values in fan sones @ 5' (1.5m) in a hemispherical free field calculated per AMCA Standard 301. Values shown are for: Installation Type A: free inlet hemispherical sone levels.

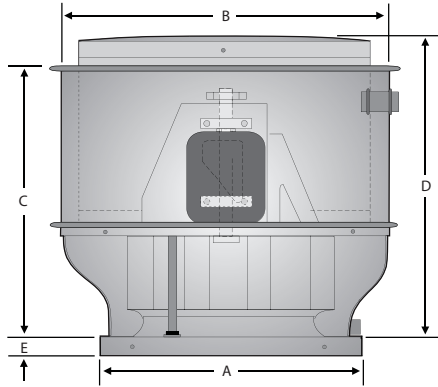


JencoFan, Div. of Soler & Palau Ventilation Group, certifies that the Models TXB shown herein are licensed to bear the AMCA Seal. The ratings shown are based on test and procedures performed in accordance with AMCA Publication 211 and AMCA Publication 311 and comply with the requirement of the AMCA Certified Ratings Program.





SIZE 30 - HIGH PRESSURE



Dimensions (in.)				
A	B	C	D	E
42-1/2	56-3/4	41	45	2-1/2

Dimensional Data				Metal Thickness			Avg. Ship Wt. (lbs.)
Damper		Roof Opening	Curb OD	Curb Cap	Wind Band	Motor Cover	
ID	OD						
36	36	37-3/4	40-3/4	.090	.050	.050	365

CFM / BHP @ Static Pressure / Sones													RPM	HP	Tip Speed
1/4	3/8	1/2	5/8	3/4	1	1-1/4	1-1/2	1-3/4	2	2-1/4	2-1/2	Catalog Number			
3328	-	-	-	-	-	-	-	-	-	-	-	TXBHP-30332	345	1/3	2755
0.24/4.3	-	-	-	-	-	-	-	-	-	-	-	-	-	-	-
4276	-	-	-	-	-	-	-	-	-	-	-	TXBHP-30333	385	1/3	3074
0.34/ 5.5	-	-	-	-	-	-	-	-	-	-	-	-	-	-	-
4666	3395	-	-	-	-	-	-	-	-	-	-	TXBHP-30501	405	1/2	3234
0.39/6.2	0.38/5.8	-	-	-	-	-	-	-	-	-	-	-	-	-	-
4942	3992	-	-	-	-	-	-	-	-	-	-	TXBHP-30502	420	1/2	3354
0.43/6.7	0.44/6.2	-	-	-	-	-	-	-	-	-	-	-	-	-	-
5298	4548	-	-	-	-	-	-	-	-	-	-	TXBHP-30503	440	1/2	3513
0.49/7.3	0.51/6.8	-	-	-	-	-	-	-	-	-	-	-	-	-	-
5643	4997	3645	-	-	-	-	-	-	-	-	-	TXBHP-30751	460	3/4	3673
0.56/8.0	0.58/7.4	0.54/7.1	-	-	-	-	-	-	-	-	-	-	-	-	-
5980	5407	4430	-	-	-	-	-	-	-	-	-	TXBHP-30752	480	3/4	3833
0.63/8.7	0.65/8.2	0.65/7.8	-	-	-	-	-	-	-	-	-	-	-	-	-
6311	5789	5053	3581	-	-	-	-	-	-	-	-	TXBHP-30753	500	3/4	3992
0.70/9.5	0.73/8.9	0.74/8.4	0.68/8.3	-	-	-	-	-	-	-	-	-	-	-	-
6638	6154	5527	4265	-	-	-	-	-	-	-	-	TXBHP-30101	520	1	4152
0.79/10.3	0.82/9.6	0.84/9.1	0.79/9.0	-	-	-	-	-	-	-	-	-	-	-	-
6880	6420	5851	4890	3348	-	-	-	-	-	-	-	TXBHP-30102	535	1	4272
0.85/10.9	0.89/10.3	0.91/9.7	0.89/9.4	0.77/9.5	-	-	-	-	-	-	-	-	-	-	-
7201	6767	6258	5545	4180	-	-	-	-	-	-	-	TXBHP-30103	555	1	4432
0.94/11.8	0.98/11.1	1.01/10.6	1.02/10.1	0.94/10.1	-	-	-	-	-	-	-	-	-	-	-
7597	7192	6734	6148	5113	-	-	-	-	-	-	-	TXBHP-30151	580	1-1/2	4631
1.07/12.7	1.11/12.2	1.14/11.5	1.16/11.0	1.13/10.9	-	-	-	-	-	-	-	-	-	-	-
7989	7608	7817	6684	5996	-	-	-	-	-	-	-	TXBHP-30152	605	1-1/2	4831
1.20/13.6	1.25/13.0	1.29/12.5	1.31/12.0	1.32/11.6	-	-	-	-	-	-	-	-	-	-	-
8379	8018	7627	7181	6614	4439	-	-	-	-	-	-	TXBHP-30153	630	1-1/2	5030
1.35/14.6	1.40/14.0	1.44/13.5	1.47/13.0	1.49/12.5	1.35/12.4	-	-	-	-	-	-	-	-	-	-
8765	8423	8055	7649	7161	5303	-	-	-	-	-	-	TXBHP-30201	655	2	5230
1.51/15.6	1.56/15.0	1.61/14.4	1.64/14.0	1.67/13.5	1.58/13.2	-	-	-	-	-	-	-	-	-	-
9073	8743	8393	8011	7570	6119	-	-	-	-	-	-	TXBHP-30202	675	2	5390
1.64/16.3	1.70/15.8	1.75/15.3	1.79/14.8	1.82/14.3	1.79/13.9	-	-	-	-	-	-	-	-	-	-
9456	9141	8808	8451	8055	6960	-	-	-	-	-	-	TXBHP-30203	700	2	5589
1.82/17.3	1.88/16.8	1.94/16.3	1.98/15.8	2.02/15.4	2.04/14.7	-	-	-	-	-	-	-	-	-	-
9988	9692	9381	9052	8696	7808	6018	-	-	-	-	-	TXBHP-30301	735	3	5869
2.09/18.7	2.16/18.2	2.22/17.8	2.27/17.3	2.31/16.9	2.36/16.1	2.24/16.3	-	-	-	-	-	-	-	-	-
10443	10159	9865	9556	9226	8449	7224	-	-	-	-	-	TXBHP-30302	765	3	6108
2.35/19.9	2.42/19.4	2.48/19.0	2.54/18.6	2.59/18.2	2.66/17.4	2.63/17.3	-	-	-	-	-	-	-	-	-
10970	10701	10423	10134	9828	9143	8224	6421	-	-	-	-	TXBHP-30303	800	3	6388
2.67/21	2.75/21	2.82/21	2.88/20	2.93/20	3.02/19.0	3.05/19.0	2.87/19.0	-	-	-	-	-	-	-	-
11720	11469	11211	10944	10667	10065	9337	8308	6462	-	-	-	TXBHP-305001	850	5	6787
3.18/23	3.26/23	3.34/23	3.41/22	3.47/22	3.58/21	3.65/21	3.64/21	3.39/21	-	-	-	-	-	-	-
12392	12155	11912	11663	11405	10855	10233	9445	8174	-	-	-	TXBHP-305002	895	5	7146
3.69/26	3.78/25	3.86/25	3.94/24	4.01/24	4.13/23	4.22/23	4.27/22	4.18/23	-	-	-	-	-	-	-
13135	12912	12684	12451	12211	11708	11156	10513	9692	8529	6658	-	TXBHP-305003	945	5	7546
4.32/28	4.42/28	4.51/27	4.59/27	4.67/26	4.81/26	4.92/25	4.96/25	5.03/25	4.85/25	4.54/25	-	-	-	-	-
14172	13964	13754	13541	13322	12868	12385	11856	11239	10477	9274	7691	TXBHP-307501	1015	7-1/2	8104
5.32/32	5.43/31	5.53/30	5.62/30	5.71/30	5.87/29	6.01/28	6.12/28	6.20/28	6.23/28	6.10/28	5.77/29	-	-	-	-
15130	14936	14740	14541	14338	13921	13483	13015	12504	11910	11193	10150	TXBHP-307502	1080	7-1/2	8623
6.38/36	6.49/35	6.60/35	6.71/34	6.81/34	6.99/33	7.15/32	7.28/31	7.39/31	7.47/31	7.50/31	7.40/31	-	-	-	-

Power Ratings (BHP) does not include transmission losses. Performance certified is for installation type A - free inlet, free outlet. Performance ratings do not include the effects of birdscreen in the airstream. The sound ratings shown are loudness values in fan sones @ 5' (1.5m) in a hemispherical free field calculated per AMCA Standard 301. Values shown are for: Installation Type A: free inlet hemispherical sone levels.

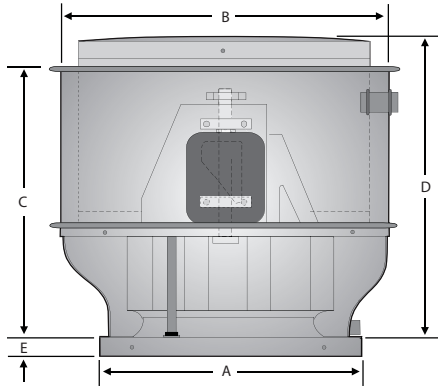


JencoFan, Div. of Soler & Palau Ventilation Group, certifies that the Models TXB shown herein are licensed to bear the AMCA Seal. The ratings shown are based on test and procedures performed in accordance with AMCA Publication 211 and AMCA Publication 311 and comply with the requirement of the AMCA Certified Ratings Program.



UL STANDARD 705 for Electrical
UL STANDARD 762 for Grease Removal

SIZE 36



Dimensions (in.)				
A	B	C	D	E
42-1/2	66	44	48	2-1/2

Dimensional Data				Metal Thickness			Avg. Ship Wt. (lbs.)
Damper		Roof Opening	Curb OD	Curb Cap	Wind Band	Motor Cover	
ID	OD						
36	36	37-3/4	40-3/4	.090	.050	.050	365

CFM / BHP @ Static Pressure / Sones													RPM	HP	Tip Speed	
0	1/8	1/4	3/8	1/2	5/8	3/4	1	1-1/4	1-1/2	1-3/4	2	Catalog Number				
7797 0.30/5.3	6629 0.33/4.9	4391 0.31/4.3	-	-	-	-	-	-	-	-	-	-	TXB-36501	270	1/2	2523
8953 0.45/6.8	8009 0.49/6.4	6496 0.50/6.0	3165 0.35/4.4	-	-	-	-	-	-	-	-	-	TXB-36502	310	1/2	2896
9386 0.52/7.3	8503 0.56/6.9	7139 0.57/6.6	5105 0.53/5.6	-	-	-	-	-	-	-	-	-	TXB-36751	325	3/4	3036
9819 0.60/7.9	8988 0.64/7.5	7771 0.66/7.2	5791 0.62/6.8	-	-	-	-	-	-	-	-	-	TXB-36852	340	3/4	3177
10252 0.68/8.5	9468 0.72/8.1	8369 0.75/7.7	6717 0.73/7.4	-	-	-	-	-	-	-	-	-	TXB-36753	355	3/4	3317
10685 0.77/9.1	9942 0.81/8.7	8940 0.85/8.3	7521 0.84/8.0	5459 0.76/6.8	-	-	-	-	-	-	-	-	TXB-36101	370	1	3457
10974 0.83/9.5	10255 0.88/9.1	9308 0.92/8.7	7971 0.91/8.4	6124 0.85/7.7	-	-	-	-	-	-	-	-	TXB-36102	380	1	3550
11407 0.93/10.2	10722 0.98/9.8	9844 1.02/9.4	8611 1.03/9.0	6793 0.97/8.7	-	-	-	-	-	-	-	-	TXB-36103	395	1	3690
11985 1.08/11.0	11339 1.14/10.6	10537 1.18/10.3	9459 1.20/9.9	8086 1.17/9.6	6251 1.08/8.4	-	-	-	-	-	-	-	TXB-36151	415	1-1/2	3877
12418 1.21/11.8	11799 1.26/11.3	11045 1.31/10.9	10063 1.33/10.6	8812 1.32/10.3	7081 1.24/9.7	-	-	-	-	-	-	-	TXB-36152	430	1-1/2	4017
12996 1.34/12.7	12410 1.44/12.4	11710 1.49/12.0	10832 1.53/11.5	9685 1.52/11.2	8075 1.46/10.9	6094 1.32/9.5	-	-	-	-	-	-	TXB-36153	450	1-1/2	4204
13285 1.48/13.2	12713 1.53/12.8	12037 1.59/12.5	11203 1.63/12.1	10113 1.63/11.7	8792 1.59/11.4	7239 1.50/10.3	-	-	-	-	-	-	TXB-36201	460	2	4298
13573 1.50/13.7	13016 1.63/13.3	12362 1.69/12.9	11566 1.73/12.7	10540 1.74/12.2	9344 1.71/11.9	7711 1.62/11.4	-	-	-	-	-	-	TXB-36202	470	2	4391
13862 1.68/14.2	13318 1.74/13.8	12685 1.79/13.4	11923 1.84/13.0	10955 1.86/12.8	9817 1.83/12.4	8152 1.74/12.2	-	-	-	-	-	-	TXB-36203	480	2	4484
14295 1.84/15.0	13770 1.90/14.6	13165 1.96/14.2	12449 2.01/13.8	11560 2.04/13.5	10483 2.02/13.3	8988 1.95/13.0	-	-	-	-	-	-	TXB-36204	495	2	4625
14873 2.07/15.9	14371 2.14/15.6	13799 2.20/15.2	13135 2.25/14.8	12334 2.29/14.5	11337 2.29/14.2	10243 2.25/14.0	-	-	-	-	-	-	TXB-36301	515	3	4811
15306 2.26/16.6	14819 2.32/16.3	14271 2.39/16.0	13640 2.45/15.6	12894 2.49/15.3	11973 2.50/15.1	10944 2.47/14.8	8299 2.29/13.4	-	-	-	-	-	TXB-36302	530	3	4952
15884 2.52/17.7	15416 2.59/17.3	14895 2.66/16.9	14304 2.72/16.6	13617 2.77/16.4	12788 2.79/16.2	11814 2.78/16.0	9226 2.61/15.5	-	-	-	-	-	TXB-36303	550	3	5138
16317 2.74/18.5	15863 2.81/18.1	15361 2.87/17.7	14795 2.94/17.4	14146 2.99/17.2	13377 3.03/17	12455 3.02/16.8	9936 2.87/16.3	-	-	-	-	-	TXB-36304	565	3	5279
16894 3.04/19.5	16458 3.11/19.1	15978 3.18/18.8	15443 3.25/18.5	14837 3.31/18.3	14135 3.35/18.1	13299 3.36/17.8	11336 3.28/17.4	8629 3.01/15.6	-	-	-	-	TXB-365001	585	5	5465
17472 3.36/21	17052 3.43/20	16592 3.51/20	16085 3.58/20	15516 3.64/19.0	14868 3.69/19.0	14109 3.72/19.0	12318 3.67/19.0	9875 3.45/18.0	-	-	-	-	TXB-365002	605	5	5652
18194 3.79/22	17792 3.87/22	17356 3.95/21	16877 4.02/21	16349 4.09/21	15756 4.15/21	15078 4.19/20	13425 4.17/20	11005 3.97/19.0	-	-	-	-	TXB-365003	630	5	5886
18772 4.17/23	18382 4.25/23	17963 4.33/22	17507 4.40/22	17006 4.48/22	16450 4.54/22	15824 4.59/21	14278 4.60/21	12396 4.48/21	10209 4.23/19	-	-	-	TXB-365004	650	5	6073
19349 4.56/24	18972 4.65/24	18568 4.73/24	18131 4.81/23	17654 4.88/23	17131 4.95/23	16548 5.01/23	15128 5.05/22	13471 4.97/22	11141 4.71/21	-	-	-	TXB-365005	670	5	6260
20793 5.66/27	20443 5.75/27	20074 5.84/26	19677 5.93/26	19252 6.01/26	18793 6.09/26	18292 6.16/26	17125 6.26/25	15671 6.24/25	14067 6.13/24	11871 5.83/23	-	-	TXB-367501	720	7-1/2	6727
22093 6.79/30	21765 6.89/30	21420 6.98/29	21055 7.07/29	20666 7.17/29	20252 7.25/29	19805 7.34/28	18797 7.47/28	17569 7.52/27	16160 7.46/27	14373 7.27/26	12478 6.97/26	-	TXB-367502	765	7-1/2	7147

Power Ratings (BHP) does not include transmission losses.
 Performance certified is for installation type A - free inlet, free outlet.
 Performance ratings do not include the effects of birdscreen in the airstream.
 The sound ratings shown are loudness values in fan sones @ 5' (1.5m) in a hemispherical free field calculated per AMCA Standard 301. Values shown are for: Installation Type A: free inlet hemispherical sone levels.



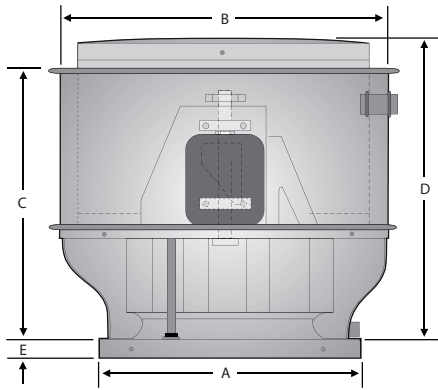
JencoFan, Div. of Soler & Palau Ventilation Group, certifies that the Models TXB shown herein are licensed to bear the AMCA Seal. The ratings shown are based on test and procedures performed in accordance with AMCA Publication 211 and AMCA Publication 311 and comply with the requirement of the AMCA Certified Ratings Program.



UL STANDARD 705 for Electrical
UL STANDARD 762 for Grease Removal



SIZE 36 - HIGH PRESSURE



Dimensions (in.)				
A	B	C	D	E
42-1/2	66	44	48	2-1/2

Dimensional Data				Metal Thickness			Avg. Ship Wt. (lbs.)
Damper		Roof Opening	Curb OD	Curb Cap	Wind Band	Motor Cover	
ID	OD						
36	36	37-3/4	40-3/4	.090	.050	.050	365

CFM / BHP @ Static Pressure / Sones													Catalog Number	RPM	HP	Tip Speed
1/2	5/8	3/4	1	1-1/4	1-1/2	1-3/4	2	2-1/4	2-1/2	2-3/4	3					
5889 0.83/7.6	-	-	-	-	-	-	-	-	-	-	-	-	TXBHP-36101	405	1	3784
6412 0.90/7.9	-	-	-	-	-	-	-	-	-	-	-	-	TXBHP-36102	415	1	3877
7078 1.02/8.4	-	-	-	-	-	-	-	-	-	-	-	-	TXBHP-36103	430	1	4017
7862 1.17/9.2	6415 1.13/9.1	-	-	-	-	-	-	-	-	-	-	-	TXBHP-36151	450	1-1/2	4204
8575 1.33/9.9	7448 1.32/9.7	5189 1.15/10.2	-	-	-	-	-	-	-	-	-	-	TXBHP-36152	470	1-1/2	4391
9240 1.50/10.7	8286 1.51/10.5	6822 1.44/10.7	-	-	-	-	-	-	-	-	-	-	TXBHP-36153	490	1-1/2	4578
9715 1.63/11.3	8860 1.66/11.1	7692 1.62/11.2	-	-	-	-	-	-	-	-	-	-	TXBHP-36201	505	2	4718
10021 1.72/11.8	9222 1.75/11.5	8166 1.74/11.5	-	-	-	-	-	-	-	-	-	-	TXBHP-36202	515	2	4811
10467 1.86/12.5	9741 1.91/12.1	8807 1.91/12.0	-	-	-	-	-	-	-	-	-	-	TXBHP-36203	530	2	4952
10760 1.96/13.0	10075 2.01/12.6	9204 2.02/12.4	5776 1.73/13.4	-	-	-	-	-	-	-	-	-	TXBHP-36204	540	2	5045
11335 2.16/13.7	10718 2.23/13.5	9953 2.26/13.3	7428 2.11/13.9	-	-	-	-	-	-	-	-	-	TXBHP-36301	560	3	5232
11899 2.37/14.6	11330 2.45/14.3	10651 2.50/14.0	8725 2.45/14.5	-	-	-	-	-	-	-	-	-	TXBHP-36302	580	3	5419
12456 2.60/15.4	11921 2.69/15.1	11312 2.75/14.9	9665 2.76/15.0	-	-	-	-	-	-	-	-	-	TXBHP-36303	600	3	5606
13005 2.85/16.3	12499 2.94/16.0	11946 3.01/15.7	10489 3.06/15.6	7767 2.79/16.5	-	-	-	-	-	-	-	-	TXBHP-36304	620	3	5792
13684 3.18/17.4	13207 3.27/17.2	12698 3.36/16.9	11484 3.45/16.4	9572 3.36/17.2	-	-	-	-	-	-	-	-	TXBHP-365001	645	5	6026
14222 3.46/18.3	13765 3.55/18.1	13283 3.65/17.8	12188 3.77/17.3	10548 3.74/17.7	-	-	-	-	-	-	-	-	TXBHP-365002	665	5	6213
14888 3.83/19.5	14454 3.93/19.2	14000 4.03/19.0	12971 4.18/18.5	11602 4.22/19.2	9428 3.99/20	-	-	-	-	-	-	-	TXBHP-365003	690	5	6446
15417 4.15/20	14998 4.25/20	14564 4.36/19.9	13608 4.53/19.4	12374 4.6/19.1	10667 4.5/19.8	-	-	-	-	-	-	-	TXBHP-365004	710	5	6633
16074 4.57/22	15673 4.68/21	15259 4.79/21	14372 4.98/21	13277 5.10/20	11884 5.07/21	9319 4.67/21	-	-	-	-	-	-	TXBHP-365005	735	5	6867
17506 5.60/24	17136 5.72/24	16761 5.84/24	15974 6.06/23	15095 6.25/23	14005 6.34/22	12622 6.29/23	10338 5.88/24	-	-	-	-	-	TXBHP-367501	790	7-1/2	7381
18794 6.66/26	18449 6.79/26	18099 6.92/26	17379 7.16/26	16608 7.39/25	15721 7.56/25	14638 7.62/25	13290 7.54/25	11142 7.12/26	-	-	-	-	TXBHP-367502	840	7-1/2	7848
19817 7.61/28	19488 7.74/28	19157 7.87/28	18479 8.14/28	17767 8.39/27	16993 8.61/27	16067 8.73/26	14959 8.75/27	13585 8.63/27	11274 8.06/28	-	-	-	TXBHP-361001	880	10	8222
20834 8.64/31	20520 8.78/30	20205 8.92/30	19563 9.20/30	18897 9.47/30	18188 9.71/29	17392 9.90/29	16453 9.99/29	15337 9.99/29	11556 9.13/29	8370 7.79/30	-	-	TXBHP-361002	920	10	8595

Power Ratings (BHP) does not include transmission losses.
 Performance certified is for installation type A - free inlet, free outlet.
 Performance ratings do not include the effects of birdscreen in the airstream.
 The sound ratings shown are loudness values in fan sones @ 5' (1.5m) in a hemispherical free field calculated per AMCA Standard 301. Values shown are for: Installation Type A: free inlet hemispherical sone levels.



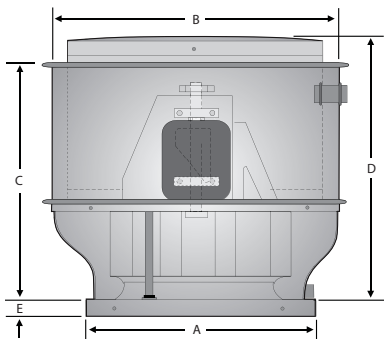
JencoFan, Div. of Soler & Palau Ventilation Group, certifies that the Models TXB shown herein are licensed to bear the AMCA Seal. The ratings shown are based on test and procedures performed in accordance with AMCA Publication 211 and AMCA Publication 311 and comply with the requirement of the AMCA Certified Ratings Program.



UL STANDARD 705 for Electrical
UL STANDARD 762 for Grease Removal



SIZE 42

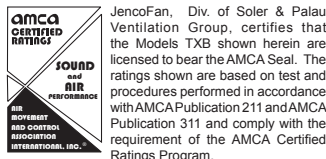


Dimensions (in.)				
A	B	C	D	E
55	72-1/2	48	52	2-1/2

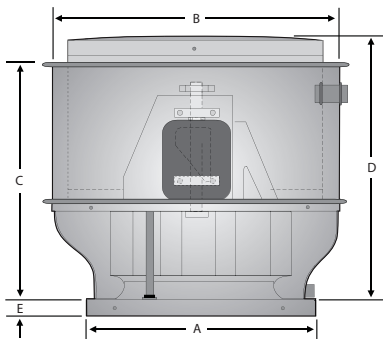
Dimensional Data				Metal Thickness			Avg. Ship Wt. (lbs.)
Damper		Roof Opening	Curb OD	Curb Cap	Wind Band	Motor Cover	
ID	OD						
48	48	50-1/4	53-1/4	.100	.050	.050	385

CFM / BHP @ Static Pressure / Sones													RPM	HP	Tip Speed
0	1/8	1/4	3/8	1/2	5/8	3/4	1	1-1/4	1-1/2	1-3/4	2	Catalog Number			
10306 0.28/6.8	7988 0.33/6.8	-	-	-	-	-	-	-	-	-	-	TXB-42501	200	1/2	2199
11852 0.43/8.2	10011 0.49/8.2	6471 0.45/8.2	-	-	-	-	-	-	-	-	-	TXB-42502	230	1/2	2829
12625 0.52/9.0	10926 0.59/8.9	7540 0.57/8.8	-	-	-	-	-	-	-	-	-	TXB-42751	245	3/4	2694
13656 0.66/10.0	12109 0.74/9.9	9589 0.76/9.8	-	-	-	-	-	-	-	-	-	TXB-42752	265	3/4	2914
14429 0.78/10.8	12977 0.86/10.6	11065 0.91/10.5	7791 0.81/10.4	-	-	-	-	-	-	-	-	TXB-42101	280	1	3079
14944 0.86/11.4	13549 0.95/11.2	11868 1.01/11.0	8543 0.93/10.8	-	-	-	-	-	-	-	-	TXB-42102	290	1	3189
15459 0.96/11.9	14116 1.05/11.8	12546 1.11/11.6	9230 1.04/11.4	-	-	-	-	-	-	-	-	TXB-42151	300	1-1/2	3299
16232 1.11/12.6	14959 1.20/12.4	13514 1.28/12.3	10696 1.26/12.2	8017 1.12/12.0	-	-	-	-	-	-	-	TXB-42152	315	1-1/2	3464
17005 1.27/13.4	15795 1.37/13.3	14449 1.46/13.1	12322 1.49/13.0	9513 1.35/12.8	-	-	-	-	-	-	-	TXB-42153	330	1-1/2	3628
17521 1.39/14.0	16349 1.50/13.8	15060 1.58/13.7	13278 1.63/13.5	10223 1.50/13.3	6983 1.22/13.0	-	-	-	-	-	-	TXB-42201	340	2	3738
18294 1.59/14.9	17174 1.69/14.7	15960 1.79/14.6	14521 1.86/14.4	11441 1.76/14.1	9452 1.92/13.8	-	-	-	-	-	-	TXB-42202	355	2	3903
18809 1.72/15.4	17772 1.83/15.3	16553 1.93/15.1	15207 2.01/15.0	12488 1.96/14.8	10337 1.81/14.3	6123 1.39/14.0	-	-	-	-	-	TXB-42203	365	2	4013
19582 1.95/16.3	18540 2.06/16.1	17430 2.17/15.9	16182 2.25/15.8	14122 2.27/15.6	11420 2.10/15.2	8695 1.85/14.8	-	-	-	-	-	TXB-42301	380	3	4178
20355 2.18/17.2	19354 2.31/17.0	18296 2.42/16.8	17129 2.51/16.6	15546 2.56/16.5	12609 2.42/16.2	10936 2.27/15.7	-	-	-	-	-	TXB-42302	395	3	4343
21128 2.44/18.0	20165 2.57/17.8	19154 2.68/17.7	18055 2.79/17.5	16774 2.86/17.3	14170 2.79/17.1	12073 2.61/16.6	-	-	-	-	-	TXB-42303	410	3	4508
21643 2.63/18.6	20705 2.75/18.4	19722 2.87/18.2	18661 2.98/18.1	17462 3.07/17.9	15269 3.04/17.7	12766 2.85/17.3	6656 2.09/16.4	-	-	-	-	TXB-425001	420	5	4618
22159 2.82/19.3	21243 2.95/19.1	20286 3.07/18.9	19262 3.18/18.7	18119 3.28/18.5	16303 3.29/1.83	13562 3.11/18.0	8822 2.47/17.0	-	-	-	-	TXB-425002	430	5	4728
22931 3.12/20	22048 3.26/20	21129 3.39/19.8	20153 3.51/19.6	19082 3.61/19.4	17681 3.67/19.3	15074 3.54/19.0	11238 3.14/18.0	-	-	-	-	TXB-425003	445	5	4893
23447 3.34/21	22538 3.48/21	21687 3.61/20	20740 3.73/20	19710 3.84/20	18484 3.91/19.9	16173 3.85/19.7	12535 3.47/18.6	-	-	-	-	TXB-425004	455	5	5003
24220 3.68/22	23384 3.83/22	22521 3.96/21	21614 4.09/21	20638 4.20/21	19551 4.29/21	17756 4.3/21	13694 3.92/19.7	-	-	-	-	TXB-425005	470	5	5168
24735 3.92/22	23917 4.07/22	23074 4.21/22	22181 4.34/22	21247 4.46/22	20208 4.56/21	18703 4.60/21	14400 4.23/20	9783 3.41/19.0	-	-	-	TXB-425006	480	5	5278
25508 4.30/23	24176 4.45/23	23901 4.60/23	23052 4.74/23	22152 4.86/23	21173 4.97/22	19975 5.04/22	15519 4.73/22	12017 4.24/20	-	-	-	TXB-425007	495	5	5443
26539 4.84/25	25778 5.00/25	24997 5.15/24	24188 5.30/24	23339 5.43/24	22429 5.55/24	21427 5.65/24	17525 5.50/23	14525 5.08/22	-	-	-	TXB-427501	515	7-1/2	5663
27312 5.28/26	26573 5.44/25	25817 5.60/25	25035 5.75/25	24218 5.89/25	23351 6.02/25	22410 6.13/25	19179 6.11/24	15634 5.65/23	11323 4.74/22	-	-	TXB-427502	530	7-1/2	5828
28342 5.90/27	27631 6.07/27	26904 6.23/26	26152 6.39/26	25378 6.54/26	24561 6.68/26	23684 6.80/26	21215 6.91/25	17031 6.45/24	14648 6.04/24	-	-	TXB-427503	530	7-1/2	6047
29115 6.39/28	28423 6.57/28	27717 6.74/27	26992 6.90/27	26241 7.06/27	25455 7.20/27	24621 7.33/27	22538 7.50/26	18467 7.15/26	15978 6.72/25	11004 5.45/24	-	TXB-427504	565	7-1/2	6212

Power Ratings (BHP) does not include transmission losses.
 Performance certified is for installation type A - free inlet, free outlet.
 Performance ratings do not include the effects of birdscreen in the airstream.
 The sound ratings shown are loudness values in fan sones @ 5' (1.5m) in a hemispherical free field calculated per AMCA Standard 301. Values shown are for Installation Type A: free inlet hemispherical sone levels.



SIZE 48



Dimensions (in.)				
A	B	C	D	E
55	78-3/4	52	55	2-1/2

Dimensional Data				Metal Thickness			Avg. Ship Wt. (lbs.)
Damper		Roof Opening	Curb OD	Curb Cap	Wind Band	Motor Cover	
ID	OD						
48	48	50-1/4	53-1/4	.100	.050	.050	490

CFM / BHP @ Static Pressure / Sones													RPM	HP	Tip Speed
0	1/8	1/4	3/8	1/2	5/8	3/4	1	1-1/4	1-1/2	1-3/4	2	Catalog Number			
11713	8527	-	-	-	-	-	-	-	-	-	-	TXB-48501	170	1/2	2114
0.33/3.5	0.37/3.1	-	-	-	-	-	-	-	-	-	-	-	-	-	-
12402	9664	-	-	-	-	-	-	-	-	-	-	TXB-48502	180	1/2	2238
0.39/3.9	0.44/3.6	-	-	-	-	-	-	-	-	-	-	-	-	-	-
13091	10066	-	-	-	-	-	-	-	-	-	-	TXB-48503	190	1/2	2363
0.46/4.3	0.52/4.0	-	-	-	-	-	-	-	-	-	-	-	-	-	-
13091	10666	-	-	-	-	-	-	-	-	-	-	TXB-48751	205	3/4	2549
0.46/4.3	0.52/4.7	-	-	-	-	-	-	-	-	-	-	-	-	-	-
14813	12737	8924	-	-	-	-	-	-	-	-	-	TXB-48752	215	3/4	2674
0.67/5.4	0.75/5.2	0.70/5.2	-	-	-	-	-	-	-	-	-	-	-	-	-
15847	13896	10899	-	-	-	-	-	-	-	-	-	TXB-48101	230	1	2860
0.82/6.1	0.91/5.9	0.90/5.6	-	-	-	-	-	-	-	-	-	-	-	-	-
16536	14656	12014	-	-	-	-	-	-	-	-	-	TXB-48102	240	1	2984
0.93/6.0	1.02/6.3	1.04/6.1	-	-	-	-	-	-	-	-	-	-	-	-	-
17225	15408	13163	-	-	-	-	-	-	-	-	-	TXB-48151	250	1-1/2	3109
1.05/7.0	1.15/6.7	1.19/6.5	-	-	-	-	-	-	-	-	-	-	-	-	-
17914	16154	14236	10299	-	-	-	-	-	-	-	-	TXB-48152	260	1-1/2	3233
1.18/7.4	1.29/7.2	1.34/7.0	1.22/7.0	-	-	-	-	-	-	-	-	-	-	-	-
18603	16895	15206	11919	-	-	-	-	-	-	-	-	TXB-48153	270	1-1/2	3358
1.32/7.9	1.44/7.6	1.50/7.4	1.41/7.3	-	-	-	-	-	-	-	-	-	-	-	-
19636	17999	16495	13726	9349	-	-	-	-	-	-	-	TXB-48201	285	2	3544
1.56/8.5	1.68/8.3	1.75/8.1	1.72/7.9	1.48/8.3	-	-	-	-	-	-	-	-	-	-	-
20670	19097	17694	15399	11849	-	-	-	-	-	-	-	TXB-48202	300	2	3731
1.87/9.2	1.95/9.0	2.03/8.8	2.04/8.5	1.87/8.6	-	-	-	-	-	-	-	-	-	-	-
21359	19825	18476	16546	13528	8885	-	-	-	-	-	-	TXB-48301	310	3	3855
2.00/9.8	2.14/9.5	2.23/9.3	2.26/9.1	2.12/9.0	1.77/9.9	-	-	-	-	-	-	-	-	-	-
22048	20551	19249	17592	14793	10661	-	-	-	-	-	-	TXB-48302	320	3	3979
2.20/10.3	2.35/10.1	2.44/9.8	2.49/9.6	2.39/9.5	2.11/10.0	-	-	-	-	-	-	-	-	-	-
22737	21275	20013	18560	15952	12193	-	-	-	-	-	-	TXB-48303	330	3	4104
2.42/10.8	2.57/10.6	2.67/10.4	2.73/10.2	2.67/10.0	2.44/10.3	-	-	-	-	-	-	-	-	-	-
23426	21997	20771	19458	17054	14121	9830	-	-	-	-	-	TXB-48304	340	3	4228
2.64/11.5	2.80/11.2	2.91/11.0	2.98/10.8	2.95/10.6	2.76/10.7	2.34/10.7	-	-	-	-	-	-	-	-	-
24459	23071	21898	20682	18779	16204	12357	-	-	-	-	-	TXB-485001	355	5	4415
3.01/12.4	3.18/12.1	3.29/11.8	3.38/11.6	3.40/11.5	3.25/11.4	2.95/12.0	-	-	-	-	-	-	-	-	-
25837	24513	23387	22266	20855	18507	15915	-	-	-	-	-	TXB-485002	375	5	4663
3.55/13.8	3.73/13.5	3.86/13.3	3.95/13.1	4.01/13.0	3.94/12.9	3.72/13.0	-	-	-	-	-	-	-	-	-
26871	25587	24495	23428	22250	20201	17886	10701	-	-	-	-	TXB-485003	390	5	4850
3.99/14.8	4.18/14.6	4.32/14.5	4.42/14.3	4.50/14.2	4.49/14.1	4.31/14.1	3.44/15.0	-	-	-	-	-	-	-	-
27904	26658	25598	24574	23485	21877	19631	13520	-	-	-	-	TXB-485004	405	5	5036
4.47/15.8	4.67/15.7	4.82/15.5	4.93/15.4	5.02/15.4	5.05/15.4	4.94/15.5	4.28/15.6	-	-	-	-	-	-	-	-
29282	28083	27061	26086	25081	23863	21866	16901	8340	-	-	-	TXB-487501	425	7-1/2	5285
5.16/17.3	5.38/17.2	5.54/17.1	5.66/17.1	5.77/17.0	5.84/17.1	5.84/17.0	5.33/17.0	3.81/17.8	-	-	-	-	-	-	-
30316	29150	28153	27209	26253	25207	23573	19343	12941	-	-	-	TXB-487502	440	7-1/2	5471
5.73/18.5	5.95/18.4	6.12/18.3	6.26/18.3	6.37/18.1	6.46/18	6.48/17.8	6.09/17.7	5.12/18.4	-	-	-	-	-	-	-
31694	30569	29604	29697	27792	26837	25611	21797	16210	-	-	-	TXB-487503	460	7-1/2	5720
6.55/19.9	6.78/19.8	6.96/19.6	7.12/19.4	7.24/19.3	7.3/19.1	7.40/19.0	7.17/18.7	6.47/19.2	-	-	-	-	-	-	-
33072	31984	31049	30174	29311	28422	27448	24028	19817	13705	-	-	TXB-481001	480	10	5969
7.44/21	7.69/21	7.88/21	8.05/21	8.18/21	8.30/20	8.39/20	8.31/19.9	7.75/20	6.55/20.9	-	-	-	-	-	-
34105	33045	32130	31276	30441	29589	28681	25750	22031	16402	-	-	TXB-481002	495	10	6155
8.16/22	8.42/22	8.62/22	8.79/22	8.94/21	9.07/21	9.17/21	9.19/21	8.72/21	7.79/21	-	-	-	-	-	-
35139	34105	33209	32375	31563	30747	29887	27429	23870	18697	12370	-	TXB-481003	510	10	6342
8.92/23	9.19/23	9.40/23	9.59/23	9.74/22	9.88/22	9.99/22	10.09/22	9.73/21	8.99/22	7.27/23	-	-	-	-	-

Power Ratings (BHP) does not include transmission losses.
Performance certified is for installation type A - free inlet, free outlet.
Performance ratings do not include the effects of birdscreen in the airstream.
The sound ratings shown are loudness values in fan sones @ 5' (1.5m) in a hemispherical free field calculated per AMCA Standard 301. Values shown are for:
Installation Type A: free inlet hemispherical sone levels.



JencoFan, Div. of Soler & Palau Ventilation Group, certifies that the Models TXB shown herein are licensed to bear the AMCA Seal. The ratings shown are based on test and procedures performed in accordance with AMCA Publication 211 and AMCA Publication 311 and comply with the requirement of the AMCA Certified Ratings Program.



MODEL TXD

DIRECT DRIVE CENTRIFUGAL UPBLAST ROOF EXHAUSTER



MODEL FEATURES

- Exhaust air up to 3,400 CFM in high static pressure applications up to 1-1/4" w.g.
- Attractive spun aluminum exterior
- Direct drive units have low sound levels and quiet operation
- Non-overloading backward inclined wheel for efficiency at higher static pressures
- Roof or sidewall mounting options
- AMCA Air and Sound Licensed
- cULus 705 or 762 Listed

APPLICATION CONSTRUCTION OPTIONS

MODEL NAME	TYPICAL APPLICATIONS
TXD	Removal of clean or contaminated air in general applications
TXDRHUL	UL762 listed for grease removal
TXDW	Wall mount version of TXD
TXDWRHUL	UL762 version of TXDW

MODEL OVERVIEW

Model TXD direct drive fans are designed to exhaust air up to 3,400 CFM in high static pressure applications to 1-1/4". The aluminum exterior provides an attractive appearance. The non-overloading backward inclined wheel with its higher static pressure capability makes this unit suitable for either ducted or nonducted applications. Its roof or wall mounting permits location near the area to be ventilated, allowing short duct runs and more efficient operation. Direct drive units use smaller diameter wheels with lower rpm's, resulting in low sound levels and quiet operation. They have no belts or fan bearings to maintain or adjust and consequently require very little maintenance.

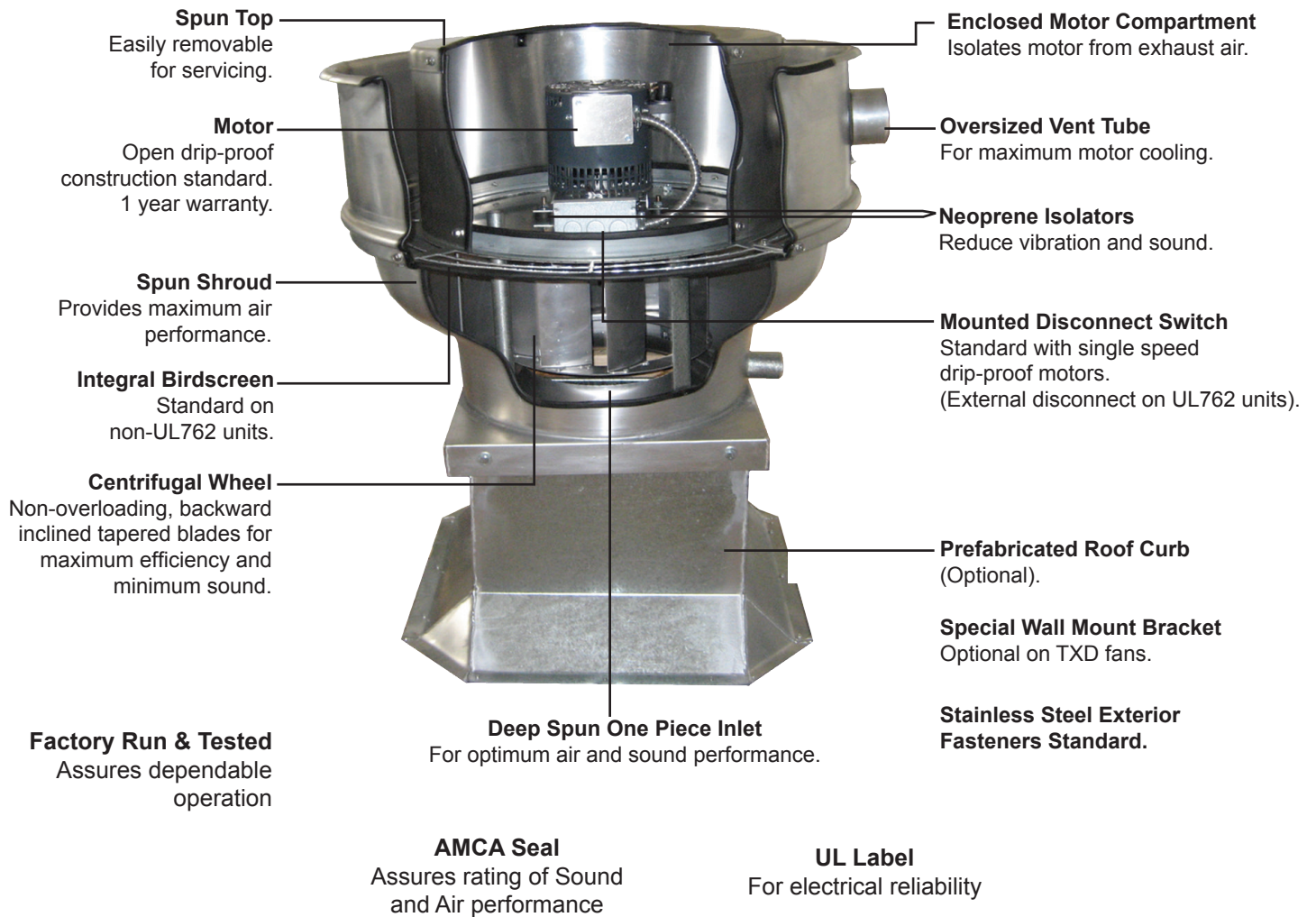
Isolation of the motor from the air stream and the high velocity vertical (roof) or horizontal (wall) air discharge make the Model TXD ideally suited for the removal of dirty, contaminated and/or high temperature air from processes and buildings. Typical applications include restaurant hoods and similar kitchen exhaust ventilation, fume and smoke removal, laboratory fume hood exhaust and chemical process exhaust.

**Industry best 5 year fan housing warranty, 1 year motor warranty
TXDRHUL units have 2 year fan housing warranty**



STANDARD CONSTRUCTION FEATURES AND OPTIONS

Model TXD





CONSTRUCTION/SPECIFICATION CHECKLIST

Housing

- Curb cap with integral deep single piece spun inlet for efficient performance and prevention of leakage into ductwork.
- Heavy-gauge aluminum housing and curb cap for strength and rigidity. Curb cap is galvanized steel on all UL762 units.
- Stainless steel alloy exterior fasteners.
- Enclosed, ventilated motor compartment isolates motor from exhaust air.
- Neoprene isolators for reduction of vibration and sound.
- Quick-Release latches on motor cover for easy access to motor compartment.
- Water-tight conduit tube for easy electrical connection without having to wire through the breather tube.
- Birdscreen included on standard models (not included on UL762 units).

Centrifugal Wheel

- Backward inclined for efficiency at higher static pressure.
- Non-overloading for safe operation in ducted systems.
- Heavy aluminum hub for extra strength.
- Close running tolerance between inlet cone and wheel inlet for maximum efficiency.
- Statically and dynamically balanced for smooth quiet operation.

Speed Controllable Motors

- Brands are nationally recognized and locally serviced.
- Standard motors are single speed, speed controllable and drip-proof.
- All motors are rated for continuous duty.
- Disconnect switch is standard with drip-proof motors.
- Heavy-gauge steel motor brackets designed for maximum strength.

Certifications

- AMCA Air and Sound Licensed.
- cULus 705 Listed Power Roof Ventilator label assures electrical reliability.
- UL762 Listed for Restaurant Exhaust Appliance available for applications where required.
- UL label must be specified when needed.
- NFPA - Model TXD is suitable for National Fire Protection Association installations. Contact factory for required accessories.

Fan RPM performances may vary from actual current motor offerings for any given model. See price publications or software for current motor RPM offerings.

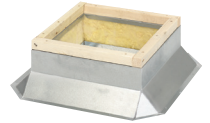


OPTIONS/ACCESSORIES

Solid State Speed Control: JencoFan's solid state control is matched to allow smooth RPM variation and adjustment of airflow for system balancing. CFM is reduced in direct proportion to motor speed reduction. Speed controllers available for 115/1 or 230/1 operation. Exhauster performance can be controlled from the ventilated area.



Roof Curb: Prefabricated heavy-gauge galvanized steel, welded construction, 12" high (other heights are also available) with 1-1/2" wood nailer. Assures perfect fit of exhauster to roof opening. Options include burglar bars, single or double pitch construction and hinged curbs for easy duct access.



Motor Operated Damper: Motor operated aluminum damper for positive closure against backdraft (Not for UL762 use).



Automatic Damper: Automatic aluminum damper for ease in installation and effective backdraft protection (Not for UL762 use).

Grease Grabber: Trap designed for fast and inexpensive replacement. Grease collects in a container for safe and sanitary disposal. Keeps roof clean with proper use.

Wall Mount Kit: Kit allows 6-15" fans to be wall mounted. Assembled as standard on all TXDW units, not available for not wall mount units. See current submittal for details.

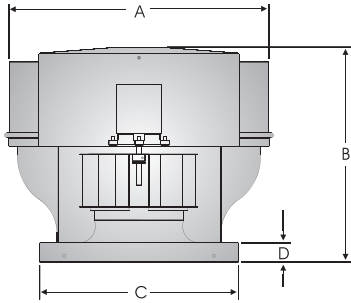
Curb Hinge Arrangement: The curb hinge arrangement provides easy access to the exhaust fan, backdraft damper, and duct for servicing and cleaning.

Special Coatings: Powered roof exhausters often require special coatings for protective and decorative purposes. Available coatings include: Synthetic Resin, Epoxy, and Heresite (air-dried phenolic). Contact your representative or the factory for more information on available coatings and colors.



PERFORMANCE/DIMENSIONS

TXD 6 AND 8



DAMPER OD	ROOF OPENING	CURB OD	A	B	C	D	FAN WT	SHIP WT
11	12	15	24	22	16-1/2	2	45	76

	CFM / BHP @ Static Pressure / Sones									HP	RPM	Tip Speed	
	0	1/8	1/4	3/8	1/2	5/8	3/4	7/8	1				Catalog Number
TXD 6	253	185	-	-	-	-	-	-	-	TXD-6SC	1/10	1110	2345
	.02/3.1	.02/2.4	-	-	-	-	-	-	-	TXD-6SC	1/10	1200	2535
	274	212	-	-	-	-	-	-	-	TXD-6SC	1/10	1290	2725
	.03/3.6	.03/3.0	-	-	-	-	-	-	-	TXD-6SC	1/10	1380	2915
	294	237	154	-	-	-	-	-	-	TXD-6SC	1/10	1470	3105
	.03/4.2	.03/3.7	.03/3.2	-	-	-	-	-	-	TXD-6SC	1/10	1560	3296
	315	262	193	-	-	-	-	-	-	TXD-6SC	1/10	1650	3486
	.04/4.9	.04/4.4	.04/3.9	-	-	-	-	-	-	TXD-6SC	1/10	1740	3676
	335	286	227	115	-	-	-	-	-	TXD-6SC	1/10	1795	3792
	.05/5.6	.05/5.1	.05/4.6	.05/4.4	-	-	-	-	-	TXD-6	1/10	1795	3792
356	310	258	179	-	-	-	-	-	TXD-6SC	1/10	1795	3792	
.06/6.3	.06/5.8	.06/5.3	.06/5.1	-	-	-	-	-	TXD-6SC	1/10	1795	3792	
377	334	286	220	-	-	-	-	-	TXD-6SC	1/10	1795	3792	
.07/7.0	.07/6.5	.07/6.0	.07/5.8	-	-	-	-	-	TXD-6SC	1/10	1795	3792	
397	357	312	256	168	-	-	-	-	TXD-6SC	1/10	1795	3792	
.08/7.8	.08/7.3	.08/6.8	.08/6.5	.08/6.3	-	-	-	-	TXD-6SC	1/10	1795	3792	
410	370	328	276	203	-	-	-	-	TXD-6	1/10	1795	3792	
.09/8.2	.09/7.7	.09/7.3	.09/6.9	.09/6.7	-	-	-	-	TXD-6	1/10	1795	3792	
533	302	-	-	-	-	-	-	-	TXD-8SC	1/4	680	1989	
.01/2.3	.01/1.2	-	-	-	-	-	-	-	TXD-8SC	1/4	770	2252	
604	420	-	-	-	-	-	-	-	TXD-8SC	1/4	860	2516	
.02/3.2	.02/2.2	-	-	-	-	-	-	-	TXD-8SC	1/4	950	2779	
674	525	-	-	-	-	-	-	-	TXD-8SC	1/4	1040	3042	
.03/4.1	.03/3.2	-	-	-	-	-	-	-	TXD-8SC	1/4	1130	3305	
745	616	407	-	-	-	-	-	-	TXD-8SC	1/4	1225	3583	
.03/5.0	.04/4.2	.04/3.2	-	-	-	-	-	-	TXD-8SC	1/4	1315	3846	
815	701	536	-	-	-	-	-	-	TXD-8SC	1/4	1405	4109	
.04/5.9	.05/5.2	.05/4.3	-	-	-	-	-	-	TXD-8SC	1/4	1495	4373	
886	783	644	441	-	-	-	-	-	TXD-8SC	1/4	1585	4636	
.06/6.8	.06/6.2	.07/5.5	.06/4.5	-	-	-	-	-	TXD-8SC	1/4	1675	4899	
960	867	752	594	348	-	-	-	-	TXD-8SC	1/4	1740	5090	
.07/7.8	.08/7.2	.08/6.6	.08/5.7	.07/5.0	-	-	-	-	TXD-8SC	1/4	1740	5090	
1031	944	844	705	527	-	-	-	-	TXD-8SC	1/4	1740	5090	
.09/8.8	.10/8.2	.10/7.6	.10/6.9	.10/6.1	-	-	-	-	TXD-8SC	1/4	1740	5090	
1101	1021	930	814	673	468	-	-	-	TXD-8SC	1/4	1740	5090	
.11/9.9	.12/9.3	.12/8.7	.13/8.1	.13/7.3	.12/6.7	-	-	-	TXD-8SC	1/4	1740	5090	
1172	1097	1014	916	786	631	414	-	-	TXD-8SC	1/4	1740	5090	
.13/11.0	.14/10.4	.15/9.8	.15/9.2	.15/8.6	.15/7.9	.13/7.3	-	-	TXD-8SC	1/4	1740	5090	
1242	1172	1095	1008	895	772	600	361	-	TXD-8SC	1/4	1740	5090	
.16/12.1	.17/11.6	.17/11.0	.18/10.5	.18/9.9	.18/9.2	.17/8.6	.15/8.1	-	TXD-8SC	1/4	1740	5090	
1313	1247	1175	1096	1002	883	754	579	309	TXD-8SC	1/4	1740	5090	
.19/13.5	.19/12.8	.20/12.3	.21/11.8	.21/11.2	.22/10.6	.21/9.9	.20/9.4	.16/8.9	TXD-8SC	1/4	1740	5090	
1364	1300	1232	1158	1072	960	851	698	510	TXD-8	1/4	1740	5090	
.21/14.3	.22/13.8	.23/13.2	.23/12.7	.24/12.2	.24/11.6	.24/11.0	.23/10.4	.21/9.9	TXD-8	1/4	1740	5090	

Performance certified is for installation type A - free inlet, free outlet.
Performance ratings include the effects of birdscreen.
The sound ratings shown are loudness values in fan sones @ 5' (1.5m) in a hemispherical free field calculated per AMCA Standard 301. Values shown are for: Installation Type A: free inlet hemispherical sone levels.
Base Unit - AMCA Seal does not apply to units with speed control (bolded).
SC RPM range capable with solid state speed control.
Speed (RPM) shown is nominal. Performance is based on actual speed of test.



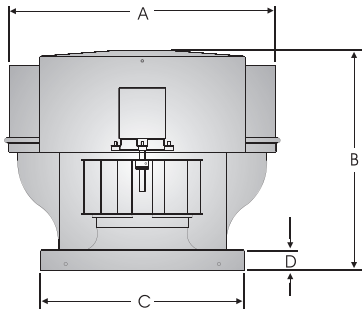
JencoFan, Div. of Soler & Palau Ventilation Group certifies that the Models TXD shown herein are licensed to bear the AMCA Seal. The ratings shown are based on test and procedures performed in accordance with AMCA Publication 211 and AMCA Publication 311 and comply with the requirement of the AMCA Certified Ratings Program.



UL STANDARD 705 for Electrical
UL STANDARD 762 for Grease Removal



TXD 10



DAMPER OD	ROOF OPENING	CURB OD	A	B	C	D	FAN WT	SHIP WT
11	12	15	27-1/4	22	16-1/2	2	70	105

CFM / BHP @ Static Pressure / Sones										HP	RPM	Tip Speed
0	1/8	1/4	3/8	1/2	5/8	3/4	7/8	1	Catalog Number			
580	357	-	-	-	-	-	-	-	TXD-102511SC	1/4	680	2122
.02/2.7	.02/3.0	-	-	-	-	-	-	-	TXD-102511SC	1/4	770	2402
656	468	139	-	-	-	-	-	-	TXD-102511SC	1/4	815	2543
.02/3.9	.03/4.2	.02/3.8	-	-	-	-	-	-	TXD-102511SC	1/4	860	2683
695	518	268	-	-	-	-	-	-	TXD-102511SC	1/4	905	2824
.03/4.5	.03/4.8	.03/4.5	-	-	-	-	-	-	TXD-102511SC	1/4	950	2964
733	567	354	-	-	-	-	-	-	TXD-102511SC	1/4	995	3104
.03/5.0	.04/5.4	.04/5.2	-	-	-	-	-	-	TXD-102511SC	1/4	1040	3245
772	615	426	-	-	-	-	-	-	TXD-102511SC	1/4	1085	3385
.04/5.6	.04/6.0	.04/6.0	-	-	-	-	-	-	TXD-102511SC	1/4	1130	3526
810	662	489	197	-	-	-	-	-	TXD-102511SC	1/4	1140	3557
.04/6.3	.05/6.7	.05/6.8	.04/6.3	-	-	-	-	-	TXD-102511SC	1/4	1185	3697
848	707	548	321	-	-	-	-	-	TXD-102511SC	1/4	1230	3838
.05/6.9	.05/7.4	.06/7.6	.05/7.1	-	-	-	-	-	TXD-102511SC	1/4	1320	4118
887	752	604	411	-	-	-	-	-	TXD-102511SC	1/4	1410	4399
.05/7.7	.06/8.1	.07/8.5	.06/8.0	-	-	-	-	-	TXD-102511SC	1/4	1500	4680
925	797	657	486	181	-	-	-	-	TXD-102511SC	1/4	1545	4820
.06/8.4	.07/9.0	.07/9.5	.07/9.0	.06/8.5	-	-	-	-	TXD-102511SC	1/4	1590	4961
963	840	708	553	326	-	-	-	-	TXD-102511SC	1/4	1635	5101
.07/9.1	.08/9.6	.08/10.1	.08/9.8	.08/9.3	-	-	-	-	TXD-102511SC	1/4	1650	5148
972	850	719	567	350	-	-	-	-	TXD-102511	1/4	1680	5242
.07/9.2	.08/9.7	.08/10.2	.09/9.9	.08/9.4	-	-	-	-	TXD-1025	1/4	1700	5304
1010	893	769	628	445	-	-	-	-	TXD-1025SC	1/4	1700	5304
.08/8.5	.09/7.8	.09/7.1	.10/6.2	.09/5.3	-	-	-	-	TXD-1025SC	1/4	1700	5304
1049	936	817	686	524	267	-	-	-	TXD-1025SC	1/4	1700	5304
.09/9.1	.10/8.3	.10/7.7	.11/6.8	.11/5.9	.09/5.2	-	-	-	TXD-1025SC	1/4	1700	5304
1125	1021	912	794	660	488	180	-	-	TXD-1025SC	1/4	1700	5304
.11/10.4	.12/9.6	.13/8.9	.13/8.1	.14/7.2	.13/6.5	.10/5.8	-	-	TXD-1025SC	1/4	1700	5304
1202	1105	1003	896	779	642	461	102	-	TXD-1025SC	1/4	1700	5304
.13/11.7	.14/10.9	.15/10.2	.16/9.5	.16/8.6	.16/7.8	.15/7.1	.10/6.5	-	TXD-1025SC	1/4	1700	5304
1279	1188	1093	994	888	771	631	444	-	TXD-1025SC	1/4	1700	5304
.16/13.0	.17/12.3	.18/11.6	.19/11.0	.20/10.1	.20/9.2	.19/8.5	.18/7.8	-	TXD-1025SC	1/4	1700	5304
1317	1230	1137	1042	941	830	703	544	298	TXD-1025SC	1/4	1700	5304
.18/13.7	.19/13.0	.20/12.3	.21/11.7	.22/10.8	.22/10.0	.21/9.2	.20/8.5	.17/7.9	TXD-1025SC	1/4	1700	5304
1356	1271	1181	1089	992	888	770	630	440	TXD-1025SC	1/4	1700	5304
.19/14.5	.20/13.7	.22/13.0	.22/12.4	.23/11.6	.23/10.8	.23/10.0	.23/9.2	.21/8.6	TXD-1025SC	1/4	1700	5304
1394	1312	1224	1135	1042	943	833	706	547	TXD-1025SC	1/4	1700	5304
.21/15.2	.22/14.5	.23/13.7	.24/13.1	.25/12.4	.25/11.6	.26/10.7	.25/10.0	.24/9.4	TXD-1025SC	1/4	1700	5304
1407	1325	1239	1151	1059	961	854	731	579	TXD-1025	1/4	1700	5304
.22/15.5	.23/14.7	.24/14.0	.25/13.3	.26/12.7	.26/11.8	.26/11.0	.26/10.3	.25/9.6	TXD-1025	1/4	1700	5304
1432	1353	1268	1181	1092	997	893	777	637	TXD-1033SC	1/3	1680	5242
.23/16.0	.24/15.2	.25/14.5	.26/13.8	.27/13.2	.27/12.3	.28/11.6	.28/10.8	.27/10.2	TXD-1033SC	1/3	1680	5242
1449	1371	1287	1201	1113	1020	919	807	674	TXD-1033	1/3	1700	5304
.24/16.3	.25/15.6	.26/14.9	.27/14.2	.28/13.5	.28/12.7	.29/11.9	.29/11.2	.28/10.5	TXD-1033	1/3	1700	5304

Performance certified is for installation type A - free inlet, free outlet.
 Performance ratings include the effects of birdscreen.
 The sound ratings shown are loudness values in fan sones @ 5' (1.5m) in a hemispherical free field calculated per AMCA Standard 301. Values shown are for: Installation Type A: free inlet hemispherical sone levels.
Base Unit - AMCA Seal does not apply to units with speed control (bolded).
 SC RPM range capable with solid state speed control.
 Speed (RPM) shown is nominal. Performance is based on actual speed of test.



JenCoFan, Div. of Soler & Palau Ventilation Group certifies that the Models TXD shown herein are licensed to bear the AMCA Seal. The ratings shown are based on test and procedures performed in accordance with AMCA Publication 211 and AMCA Publication 311 and comply with the requirement of the AMCA Certified Ratings Program.

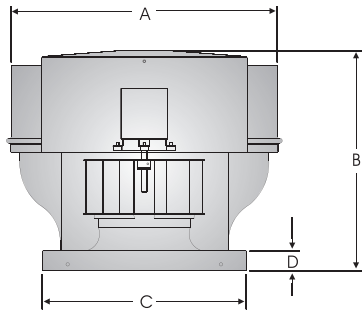


UL STANDARD 705 for Electrical
UL STANDARD 762 for Grease Removal



MODEL TXD
DIRECT DRIVE CENTRIFUGAL UPBLAST ROOF EXHAUSTER

TXD 12



DAMPER OD	ROOF OPENING	CURB OD	A	B	C	D	FAN WT	SHIP WT
18	19-1/4	22-1/4	31-1/2	23	24	2	80	115

CFM / BHP @ Static Pressure / Sones											HP	RPM	Tip Speed
0	1/8	1/4	3/8	1/2	5/8	3/4	7/8	1	1-1/4	Catalog Number			
964	712	352	-	-	-	-	-	-	-	TXD-1225SC	1/4	680	2519
.03/4.3	.03/3.3	.03/2.5	-	-	-	-	-	-	-				
1028	797	492	-	-	-	-	-	-	-	TXD-1225SC	1/4	725	2686
.03/4.9	.03/3.9	.04/3.1	-	-	-	-	-	-	-				
1092	881	610	-	-	-	-	-	-	-	TXD-1225SC	1/4	770	2853
.04/5.5	.05/4.5	.05/3.7	-	-	-	-	-	-	-				
1156	962	715	-	-	-	-	-	-	-	TXD-1225SC	1/4	815	3020
.05/6.2	.05/5.2	.06/4.4	-	-	-	-	-	-	-				
1219	1040	809	520	-	-	-	-	-	-	TXD-1225SC	1/4	860	3186
.06/6.8	.06/5.9	.07/5.2	.06/4.6	-	-	-	-	-	-				
1283	1116	897	649	-	-	-	-	-	-	TXD-1225SC	1/4	905	3353
.07/7.4	.07/6.5	.08/5.8	.08/5.1	-	-	-	-	-	-				
1347	1190	985	764	455	-	-	-	-	-	TXD-1225SC	1/4	950	3520
.08/7.9	.08/7.0	.09/6.4	.09/5.7	.08/5.3	-	-	-	-	-				
1411	1262	1071	869	607	-	-	-	-	-	TXD-1225SC	1/4	995	3686
.09/8.4	.10/7.6	.10/6.9	.10/6.4	.10/5.9	-	-	-	-	-				
1475	1332	1155	964	736	419	-	-	-	-	TXD-1225SC	1/4	1040	3853
.10/9.0	.11/8.2	.12/7.6	.12/7.0	.12/6.5	.10/6.5	-	-	-	-				
1538	1402	1239	1053	852	590	-	-	-	-	TXD-1225SC	1/4	1085	4020
.12/9.5	.12/8.8	.13/8.2	.14/7.6	.14/7.1	.12/6.6	-	-	-	-				
1616	1487	1338	1161	983	760	462	-	-	-	TXD-1225	1/4	1140	4224
.13/10.3	.14/9.6	.15/9.1	.16/8.5	.16/8.0	.15/7.4	.13/7.2	-	-	-				
1666	1540	1399	1228	1060	855	599	-	-	-	TXD-1250SC	1/2	1175	4353
.15/10.8	.16/10.2	.16/9.7	.17/9.1	.17/8.5	.17/8.0	.15/7.8	-	-	-				
1794	1676	1553	1399	1240	1078	877	632	-	-	TXD-1250SC	1/2	1265	4687
.18/12.4	.20/11.7	.20/11.2	.21/10.7	.22/10.2	.22/9.5	.21/9.0	.19/8.7	-	-				
1921	1811	1701	1565	1415	1269	1108	916	685	-	TXD-1250SC	1/2	1355	5022
.22/14.0	.24/13.3	.25/12.8	.25/12.3	.26/11.8	.26/11.2	.26/10.7	.26/10.2	.23/9.8	-				
1985	1878	1773	1645	1501	1359	1213	1038	836	-	TXD-1250SC	1/2	1400	5187
.25/14.7	.26/14.1	.27/13.6	.28/13.1	.29/12.6	.29/12.1	.29/11.6	.29/11.1	.27/10.7	-				
2049	1945	1844	1724	1586	1446	1310	1152	969	-	TXD-1250SC	1/2	1445	5354
.27/15.6	.29/14.9	.30/14.5	.30/13.9	.31/13.5	.32/12.9	.32/12.4	.32/12.0	.31/11.5	-				
2113	2011	1914	1802	1670	1534	1402	1259	1092	673	TXD-1250SC	1/2	1490	5520
.30/16.5	.32/15.8	.32/15.3	.33/14.9	.34/14.3	.35/13.8	.35/13.3	.35/12.8	.35/12.4	.30/11.8				
2177	2078	1984	1878	1753	1620	1491	1361	1207	837	TXD-1250SC	1/2	1535	5687
.33/17.3	.34/16.7	.35/16.2	.36/16.7	.37/15.3	.37/15.3	.38/14.2	.38/13.7	.38/13.3	.35/12.7				
2240	2144	2053	1953	1834	1706	1578	1455	1316	980	TXD-1250SC	1/2	1580	5854
.36/18.2	.37/17.5	.38/17.1	.39/16.6	.40/16.2	.41/15.8	.42/15.3	.42/14.7	.42/14.2	.40/13.4				
2304	2210	2122	2027	1915	1791	1666	1545	1419	1110	TXD-1250SC	1/2	1625	6021
.39/19.1	.41/18.4	.42/17.9	.42/17.5	.43/17.1	.44/16.6	.45/16.2	.46/15.7	.46/15.3	.45/14.3				
2410	2320	2236	2148	2045	1930	1810	1692	1577	1308	TXD-1250SC	1/2	1700	6299
.44/21	.46/19.9	.48/19.5	.48/19.0	.49/18.6	.50/18.2	.51/17.7	.52/17.2	.52/16.8	.52/16.0				
2453	2364	2281	2196	2097	1985	1867	1751	1638	1384	TXD-1250	1/2	1730	6410
.47/21	.49/21	.50/20	.51/19.6	.52/19.2	.53/18.7	.54/18.3	.55/17.8	.55/17.4	.55/16.6				

Performance certified is for installation type A - free inlet, free outlet.
 Performance ratings include the effects of birdscreen.
 The sound ratings shown are loudness values in fan sones @ 5' (1.5m) in a hemispherical free field calculated per AMCA Standard 301. Values shown are for: Installation Type A: free inlet hemispherical sone levels.
Base Unit - AMCA Seal does not apply to units with speed control (bolded).
 SC RPM range capable with solid state speed control.
 Speed (RPM) shown is nominal. Performance is based on actual speed of test.



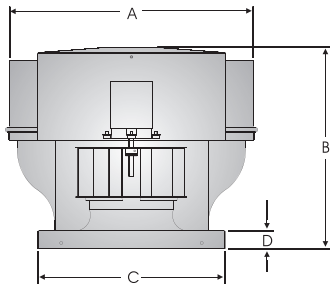
JencoFan, Div. of Soler & Palau Ventilation Group certifies that the Models TXD shown herein are licensed to bear the AMCA Seal. The ratings shown are based on test and procedures performed in accordance with AMCA Publication 211 and AMCA Publication 311 and comply with the requirement of the AMCA Certified Ratings Program.



UL STANDARD 705 for Electrical
UL STANDARD 762 for Grease Removal



TXD 14 AND 15



DAMPER OD	ROOF OPENING	CURB OD	A	B	C	D	FAN WT	SHIP WT
18	19-1/4	22-1/4	31-1/2	23	24	2	85	120

	CFM / BHP @ Static Pressure / Sones										HP	RPM	Tip Speed	
	0	1/8	1/4	3/8	1/2	5/8	3/4	7/8	1	1-1/4				Catalog Number
TXD 14	983 .04/3.6	680 .05/3.1	338 .04/16	-	-	-	-	-	-	-	TXD-1425SC	1/4	650	2514
	1058 .05/4.4	784 .06/3.9	461 .06/3.6	-	-	-	-	-	-	-	TXD-1425SC	1/4	700	2707
	1134 .06/5.2	884 .07/4.7	580 .07/4.4	298 .10/4.2	-	-	-	-	-	-	TXD-1425SC	1/4	750	2901
	1210 .07/5.9	980 .08/5.3	697 .09/5.1	424 .10/4.8	-	-	-	-	-	-	TXD-1425SC	1/4	800	3094
	1285 .09/6.5	1073 .10/6.1	810 .10/5.9	547 .10/5.6	303 .08/5.4	-	-	-	-	-	TXD-1425SC	1/4	850	3287
	1361 .10/7.3	1164 .11/6.8	920 .12/6.6	667 .10/6.4	430 .11/6.1	-	-	-	-	-	TXD-1425SC	1/4	900	3481
	1436 .12/8.1	1253 .13/7.7	1026 .14/7.4	784 .10/7.2	554 .13/6.9	338 .11/6.9	-	-	-	-	TXD-1425SC	1/4	950	3674
	1512 .14/8.9	1340 .15/8.5	1129 .16/8.2	900 .20/8.1	676 .16/7.8	466 .14/7.6	262 .10/7.6	-	-	-	TXD-1425SC	1/4	1000	3868
TXD 15	1918 .11/7.6	1702 .12/6.8	1414 .13/6.0	1065 .13/6.0	-	-	-	-	-	-	TXD-1550SC	1/2	795	3359
	2135 .15/9.0	1948 .17/8.2	1710 .18/7.5	1406 .18/7.1	1087 .17/7.5	-	-	-	-	-	TXD-1550SC	1/2	885	3739
	2352 .20/10.5	2188 .22/9.8	1983 .23/9.1	1736 .24/8.6	1444 .24/8.6	1145 .23/9.5	-	-	-	-	TXD-1550SC	1/2	975	4119
	2461 .23/11.3	2305 .25/10.6	2114 .26/9.9	1888 .27/9.4	1616 .28/9.1	1349 .27/10.0	981 .24/11.2	-	-	-	TXD-1550SC	1/2	1020	4310
	2569 .26/12.1	2422 .28/11.4	2241 .30/10.8	2034 .31/10.2	1787 .32/9.7	1522 .31/10.6	1239 .30/11.7	777 .24/13.1	-	-	TXD-1550SC	1/2	1065	4500
	2786 .33/13.9	2653 .36/13.2	2491 .38/12.6	2313 .39/12.0	2104 .40/11.5	1863 .41/11.8	1623 .40/12.9	1362 .38/14.2	969 .33/15.7	-	TXD-1550	1/2	1155	4880
	3443 1.30/31	3372 1.31/30	3299 1.31/29	3222 1.32/29	3141 1.33/28	3055 1.33/27	2964 1.34/26	2866 1.33/26	2758 1.33/26	2508 1.30/25	TXD1515	1-1/2	1760	7055

Performance certified is for installation type A - free inlet, free outlet.
Performance ratings include the effects of birdscreen.
The sound ratings shown are loudness values in fan sones @ 5' (1.5m) in a hemispherical free field calculated per AMCA Standard 301. Values shown are for: Installation Type A: free inlet hemispherical sone levels.

Base Unit - AMCA Seal does not apply to units with speed control (bolded).
SC RPM range capable with solid state speed control.
Speed (RPM) shown is nominal. Performance is based on actual speed of test.



JencoFan, Div. of Soler & Palau Ventilation Group certifies that the Models TXD shown herein are licensed to bear the AMCA Seal. The ratings shown are based on test and procedures performed in accordance with AMCA Publication 211 and AMCA Publication 311 and comply with the requirement of the AMCA Certified Ratings Program.



UL STANDARD 705 for Electrical
UL STANDARD 762 for Grease Removal

MODEL CWD

DIRECT DRIVE CENTRIFUGAL SIDEWALL EXHAUSTER



MODEL FEATURES

- Exhaust air up to 3,360 CFM in high static pressure applications up to 1" w.g.
- Attractive spun aluminum exterior
- Direct drive units have low sound levels and quiet operation
- Non-overloading backward inclined wheel for efficiency at higher static pressures
- AMCA Air and Sound Licensed
- UL 705 Listed

MODEL OVERVIEW

Model CWD direct drive fans are designed to exhaust air up to 3,360 CFM in high static pressure applications to 1". The spun aluminum exterior provides a pleasing appearance, weatherproof construction and resistance to corrosion. The low silhouette design is less noticeable on the building exterior and the removable dome provides easy access to the fan interior for service and cleaning. The non-overloading backward inclined centrifugal wheel with its high static pressure capability, makes it suitable for either ducted or nonducted applications. It should be used where a sidewall mounted location is preferred to roof mounting. Direct drive units use smaller diameter wheels with lower rpm's, resulting in low sound levels and quiet operation. They have no belts or fan bearings to maintain or adjust and consequently require very little maintenance.

CWDs are used to exhaust relatively clean air from a variety of industrial, commercial and institutional buildings such as machinery and equipment rooms, storage areas, office buildings, restaurants, retail stores, schools and similar buildings.

CONSTRUCTION FEATURES AND OPTIONS

Spun Aluminum Shell
Maximum weather protection.

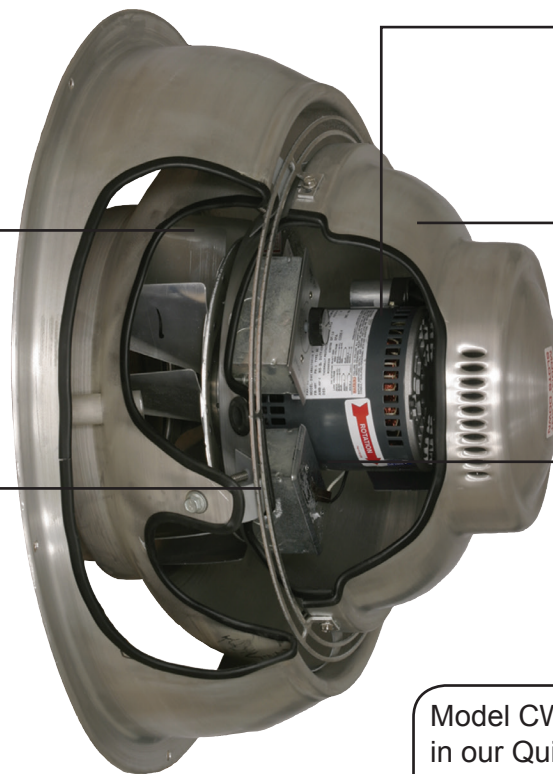
Centrifugal Wheel
Non-overloading, backward inclined blades for maximum efficiency.

Duct Connection
At wheel inlet.

Aluminum Birdscreen
(optional)
Protection from birds and other objects

Factory Run & Tested
Assures dependable operation

AMCA Seal
Assures rating of Sound and Air performance



Motor
Open drip-proof standard and speed controllable.

Spun Aluminum Dome
Provides compartment for out-of-airstream motor location.

Disconnect
Standard with ODP single speed motors.

UL Label
For electrical reliability

Model CWD is available in our Quickship program. Sizes 7-14 are available for next day or 10-day shipping from stock.



Industry best 5 year fan housing warranty, 1 year motor warranty

All specifications are subject to change without notice unless approved in submittal by JencoFan.



CONSTRUCTION/SPECIFICATION CHECKLIST

Housing

- Integral spun inlet for efficient performance.
- Spun aluminum dome for weather protection and attractive appearance.
- Motor support of heavy-gauge aluminum for rigidity and strength.
- Ventilated motor compartment with motor out of air stream for long trouble-free service.
- Dome easily removes for access to motor compartment.
- Water-tight construction.
- Duct connection provided at wheel inlet.

Centrifugal Wheel

- Backward inclined for efficiency at higher static pressure.
- Non-overloading for safe operation in ducted systems.
- Statically and dynamically balanced for smooth, quiet operation.
- Heavy aluminum hub for extra strength.
- All aluminum construction.

Motors

- Speed controllable motors available on most models.
- Brands are nationally recognized and locally serviced.
- Single speed open drip-proof are standard.
- Two speed drip-proof and single speed explosion-proof motors are available for most models.
- Disconnect switch standard with single speed drip-proof motors.

AMCA Seal

- Models CWD are licensed for Air and Sound Performance.

UL Label

- UL 705 available when specified.



OPTIONS/ACCESSORIES

Solid State Speed Control: Available with direct drive models. Control is matched to the motor and blower wheel to allow reduction in performance from full motor speed to 60% of full speed. CFM is reduced in direct proportion to motor speed reduction. Exhauster performance can be controlled from the ventilated area.



Motor Operated Damper: Motor operated aluminum damper for positive closure against backdraft.



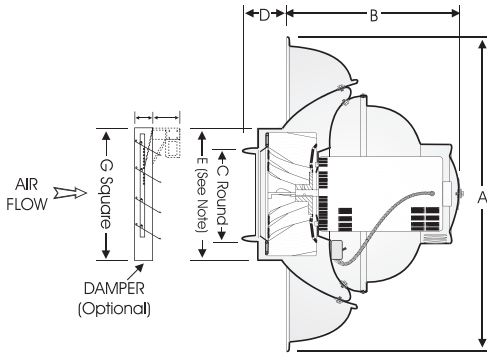
Automatic Damper: Automatic aluminum damper for ease in installation and effective backdraft protection.

Special Coatings: For protective and decorative purposes. Available coatings include: Synthetic Resin, Epoxy, and Heresite (air-dried phenolic). Contact your representative or the factory for more information on available coatings and colors.



PERFORMANCE/DIMENSIONS

SIZES 7, 8 & 9



Size	A	B	C	D	E	G	Avg. Ship Wt. (lbs.)
7	15	8	5-15/16	1-1/2	8	8	12
8	20	9	9-15/16	2	12	11	20
9	26	13-1/2	11-15/16	3	15	14	37

	CFM / BHP @ Static Pressure / Sones									Catalog Number	HP	RPM	Tip Speed
	0	1/8	1/4	3/8	1/2	5/8	3/4	7/8	1				
CWD 7	152 .02/2.3	84 .01/1.5	-	-	-	-	-	-	-	070A S	1/25	930	1723
	175 .02/3.1	120 .02/2.3	-	-	-	-	-	-	-	070A S	1/25	1070	1982
	202 .02/4.1	156 .02/3.4	93 .02/3.2	-	-	-	-	-	-	070A S	1/25	1230	2279
	228 .03/5.2	189 .03/4.6	139 .03/4.1	75 .02/4.3	-	-	-	-	-	070A S	1/25	1390	2575
	254 .04/6.5	220 .04/5.9	179 .03/5.3	127 .03/5.3	66 .03/5.4	-	-	-	-	070A *	1/25	1550	2871
CWD 8	320 .03/4.0	209 .02/3.5	98 .02/4.0	-	-	-	-	-	-	080A S	1/15	930	2267
	369 .04/5.0	275 .03/4.7	175 .02/5.0	-	-	-	-	-	-	080A S	1/15	1075	2620
	421 .05/6.7	339 .04/6.4	251 .04/6.3	167 .03/6.8	-	-	-	-	-	080A S	1/15	1225	2986
	473 .06/8.9	403 .06/8.5	324 .05/8.2	243 .05/8.3	172 .04/8.7	92 .04/9.1	-	-	-	080A S	1/15	1375	3352
	524 .07/11.8	463 .07/11.4	390 .06/11.1	320 .06/10.7	249 .05/10.9	186 .04/11.1	132 .04/11.4	-	-	080A *	1/15	1550	3778
CWD 9	540 .03/2.5	258 .02/1.9	-	-	-	-	-	-	-	091A S	1/4	685	2004
	630 .05/3.5	392 .04/2.9	-	-	-	-	-	-	-	091A S	1/4	800	2340
	741 .08/4.9	554 .06/4.3	330 .05/4.0	-	-	-	-	-	-	091A S	1/4	940	2750
	804 .09/5.7	637 .08/5.1	426 .07/4.7	236 .05/4.6	-	-	-	-	-	091A S	1/4	1020	2984
	898 .12/7.0	755 .11/6.4	564 .09/5.9	390 .08/5.8	221 .07/5.6	-	-	-	-	091A *	1/4	1140	3335
	811 .09/6.1	651 .08/5.6	467 .07/4.8	313 .06/4.7	-	-	-	-	-	090A S	1/4	1030	3012
	965 .14/8.1	834 .13/7.5	687 .12/7.0	528 .10/6.4	401 .09/5.8	-	-	-	-	090A S	1/4	1225	3583
	1083 .19/9.7	970 .18/9.2	842 .17/8.7	704 .16/8.2	565 .14/7.8	454 .12/7.4	-	-	-	090A S	1/4	1375	4021
	1221 .26/12.1	1126 .25/11.4	1009 .25/10.9	894 .23/10.5	771 .22/10.2	645 .20/9.8	545 .18/9.5	-	-	090A *	1/4	1550	4534
	1320 .34/13.8	1255 .33/13.4	1149 .32/13.1	1047 .31/12.8	937 .30/12.5	823 .28/12.1	709 .26/11.6	617 .24/11.6	532 .23/11.5	090A 33*	1/3	1700	4973

Performance certified is for installation type A - free inlet, free outlet.
 Performance ratings include the effects of birdscreen in the airstream.
 The sound ratings shown are loudness values in fan sones @ 5' (1.5m) in a hemispherical free field calculated per AMCA Standard 301. Values shown are for: Installation Type A: free inlet hemispherical sone levels.
 * Base Unit- AMCA Seal for Sound Rating does not apply to units with speed control.
 S RPM range capable with solid state speed control.
 Speed (RPM) shown is nominal. Performance is based on actual speed of test.
 Note: For round duct connection directly to unit without damper, cut a circular hole equal to dimension E above.



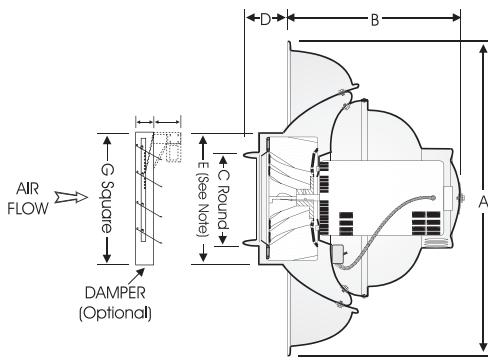
JencoFan, Div. of Soler & Palau Ventilation Group, certifies that the Models CWD shown herein are licensed to bear the AMCA Seal. The ratings shown are based on test and procedures performed in accordance with AMCA Publication 211 and AMCA Publication 311 and comply with the requirement of the AMCA Certified Ratings Program.



UL STANDARD 705



SIZES 10 & 11



Size	A	B	C	D	E	G	Avg. Ship Wt. (lbs.)
10	26	13-1/2	11-15/16	3	15	14	37
11	30	15-1/2	13-15/16	3	17-1/2	14	50

CWD 10

CWD 11

CFM / BHP @ Static Pressure / Sones									Catalog Number	HP	RPM	Tip Speed
0	1/8	1/4	3/8	1/2	5/8	3/4	7/8	1				
629	326	-	-	-	-	-	-	-	101A S	1/4	685	2093
.04/3.0	.03/2.6	-	-	-	-	-	-	-	101A S	1/4	800	2444
734	474	224	-	-	-	-	-	-	101A S	1/4	900	2750
.05/4.2	.04/3.7	.04/3.6	-	-	-	-	-	-	101A S	1/4	1020	3116
826	618	369	142	-	-	-	-	-	101A S	1/4	1140	3483
.07/5.3	.07/4.9	.05/4.7	.05/4.6	-	-	-	-	-	101A *	1/4	1030	3147
936	773	527	335	128	-	-	-	-	100A S	1/3	1200	3666
.10/6.7	.10/6.3	.08/6.1	.07/6.0	.06/6.0	-	-	-	-	100A S	1/3	1375	4201
1046	903	682	503	329	143	-	-	-	100A *	1/3	1575	4812
.14/8.1	.13/7.7	.11/7.5	.10/7.4	.09/7.4	.08/7.3	-	-	-	100A50*	1/2	1725	5269
950	794	540	357	173	-	-	-	-	100A S	1/3	705	2291
.10/7.5	.09/7.2	.08/6.5	.07/5.7	.06/5.4	-	-	-	-	111A S	1/4	800	2600
1107	976	777	581	427	274	-	-	-	111A S	1/4	900	2925
.15/9.7	.15/9.3	.12/9.0	.11/8.2	.10/7.5	.09/6.8	-	-	-	111A S	1/4	1020	3315
1268	1155	1028	813	657	523	391	250	-	111A *	1/4	1140	3705
.23/12.2	.22/12.0	.20/11.8	.18/11.3	.16/10.5	.15/9.7	.14/9.1	.13/9.0	-	110A S	1/2	1200	3900
1453	1355	1252	1118	921	785	663	548	433	110A S	1/2	1325	4306
.33/15.6	.33/15.4	.32/15.3	.30/15.2	.26/14.7	.24/13.8	.23/13.0	.21/12.3	.20/11.6	110A S	1/2	1450	4713
1591	1502	1409	1308	1144	981	859	748	642	110A *	1/2	1600	5200
.45/18.1	.44/18.0	.43/17.9	.42/17.8	.38/17.7	.34/17.0	.32/16.2	.31/15.6	.29/14.9	110A S	1/2	1200	3900
810	525	240	-	-	-	-	-	-	110A S	1/2	1325	4306
.06/3.9	.05/3.3	.04/3.1	-	-	-	-	-	-	110A S	1/2	1450	4713
919	684	410	164	-	-	-	-	-	110A S	1/2	1600	5200
.08/5.3	.07/4.6	.06/4.5	.06/4.3	-	-	-	-	-	110A S	1/2	1200	3900
1034	837	579	362	134	-	-	-	-	110A S	1/2	1325	4306
.11/6.5	.11/6.0	.09/5.7	.08/5.6	.08/5.4	-	-	-	-	110A S	1/2	1450	4713
1171	1019	783	571	382	183	-	-	-	110A S	1/2	1600	5200
.16/8.1	.15/7.5	.14/7.2	.13/7.1	.11/7.0	.11/6.9	-	-	-	110A S	1/2	1200	3900
1309	1182	981	772	595	427	251	-	-	110A S	1/2	1325	4306
.24/9.7	.23/9.2	.21/8.7	.19/8.6	.17/8.6	.16/8.5	.15/8.4	-	-	110A S	1/2	1450	4713
1162	1010	813	620	439	-	-	-	-	110A S	1/2	1600	5200
.14/9.1	.13/8.6	.12/7.8	.11/6.9	.08/6.6	-	-	-	-	110A S	1/2	1200	3900
1354	1243	1069	900	733	577	-	-	-	110A S	1/2	1325	4306
.22/11.6	.21/11.1	.19/10.6	.18/9.6	.17/8.7	.15/8.6	-	-	-	110A S	1/2	1450	4713
1495	1405	1245	1095	941	792	651	-	-	110A S	1/2	1600	5200
.29/13.5	.28/13.1	.26/12.6	.25/11.8	.23/11.0	.22/10.9	.20/10.8	-	-	110A S	1/2	1200	3900
1636	1560	1419	1281	1140	1001	865	736	-	110A S	1/2	1325	4306
.38/15.6	.37/15.2	.35/14.8	.33/14.4	.32/13.5	.30/12.6	.29/11.8	.28/11.6	-	110A S	1/2	1450	4713
1805	1741	1624	1493	1370	1242	1116	991	873	110A *	1/2	1600	5200
.50/18.4	.49/18.0	.48/17.7	.45/17.3	.44/16.8	.42/15.9	.39/15.0	.38/14.4	.36/13.6	110A *	1/2	1600	5200

Performance certified is for installation type A - free inlet, free outlet.
Performance ratings include the effects of birdscreens in the airstream.
The sound ratings shown are loudness values in fan sones @ 5' (1.5m) in a hemispherical free field calculated per AMCA Standard 301. Values shown are for: Installation Type A: free inlet hemispherical sone levels.
* Base Unit- AMCA Seal for Sound Rating does not apply to units with speed control.
S RPM range capable with solid state speed control.
Speed (RPM) shown is nominal. Performance is based on actual speed of test.
Note: For round duct connection directly to unit without damper, cut a circular hole equal to dimension E above.

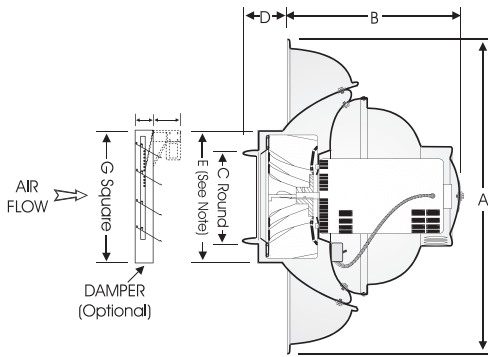


JencoFan, Div. of Soler & Palau Ventilation Group, certifies that the Models CWD shown herein are licensed to bear the AMCA Seal. The ratings shown are based on test and procedures performed in accordance with AMCA Publication 211 and AMCA Publication 311 and comply with the requirement of the AMCA Certified Ratings Program.





SIZES 12, 14 & 16



Size	A	B	C	D	E	G	Avg. Ship Wt. (lbs.)
12	30	15-1/2	13-15/16	3	17-1/2	14	50
14	36	16-1/2	17-15/16	4	22	18	84
16	36	16-1/2	17-15/16	4	22	18	84

	CFM / BHP @ Static Pressure / Sones								Catalog Number	HP	RPM	Tip Speed	
	0	1/8	1/4	3/8	1/2	5/8	3/4	7/8					1
CWD 12	986 .07/5.4	670 .06/3.6	365 .05/3.1	-	-	-	-	-	-	121A S	1/4	685	2471
	1152 .12/6.9	885 .10/5.4	621 .09/4.1	348 .08/4.5	-	-	-	-	-	121A S	1/4	800	2886
	1296 .15/8.5	1058 .13/7.0	816 .12/5.8	589 .11/5.3	340 .10/5.8	-	-	-	-	121A S	1/4	900	3247
	1439 .21/10.2	1227 .20/8.7	1007 .17/7.4	801 .15/6.5	591 .13/6.5	363 .13/7.0	-	-	-	121A S	1/4	1000	3608
	1583 .26/12.0	1393 .25/10.6	1195 .24/9.2	995 .22/8.3	813 .20/7.4	618 .18/7.8	410 .18/8.3	193 .17/8.8	-	121A *	1/4	1100	3968
CWD 14	1640 .14/7.0	1382 .12/6.7	913 .10/6.2	498 .09/5.5	-	-	-	-	-	141A S	1/2	685	2939
	1915 .21/9.2	1714 .20/8.8	1366 .18/8.4	971 .15/7.6	614 .14/6.8	-	-	-	-	141A S	1/2	800	3432
	2154 .30/11.4	1987 .29/11.0	1730 .27/10.7	1346 .25/10.1	1028 .22/9.5	711 .21/8.8	390 .20/8.7	-	-	141A S	1/2	900	3861
	2394 .41/13.7	2249 .40/13.4	2049 .38/13.1	1749 .35/12.8	1407 .32/12.3	1124 .28/11.7	839 .27/11.2	551 .26/10.7	-	141A S	1/2	1000	4290
CWD 16	2585 .50/15.9	2454 .49/15.7	2281 .47/15.3	2040 .44/15.0	1722 .41/14.7	1433 .38/14.2	1170 .36/13.8	906 .34/13.3	670 .33/12.9	141A *	1/2	1080	4633
	3360 .75/19.2	3158 .73/18.3	2937 .72/17.4	2669 .68/16.5	2349 .63/15.7	2005 .58/14.6	1692 .54/13.5	1364 .49/12.4	1032 .44/11.6	161A *	3/4	1140	4835

Performance certified is for installation type A - free inlet, free outlet.
 Performance ratings include the effects of birdscreen in the airstream.
 The sound ratings shown are loudness values in fan sones @ 5' (1.5m) in a hemispherical free field calculated per AMCA Standard 301. Values shown are for: Installation Type A: free inlet hemispherical sone levels.

* Base Unit- AMCA Seal for Sound Rating does not apply to units with speed control.
 S RPM range capable with solid state speed control.

Speed (RPM) shown is nominal. Performance is based on actual speed of test.
 Note: For round duct connection directly to unit without damper, cut a circular hole equal to dimension E above.



JencoFan, Div. of Soler & Palau Ventilation Group, certifies that the Models CWD shown herein are licensed to bear the AMCA Seal. The ratings shown are based on test and procedures performed in accordance with AMCA Publication 211 and AMCA Publication 311 and comply with the requirement of the AMCA Certified Ratings Program.



MODEL KSF

BELT DRIVE CENTRIFUGAL FILTERED SUPPLY FAN



MODEL FEATURES

- Supply air to over 12,000 CFM in static pressure capabilities to 2" w.g.
- Heavy-galvanized construction
- Belt drives permit easy performance adjustments when needed
- Forward curved centrifugal blower for efficient air flow at low sound levels
- Filters are washable and reusable
- AMCA Air and Sound Licensed
- cULus 705 Listed

MODEL OVERVIEW

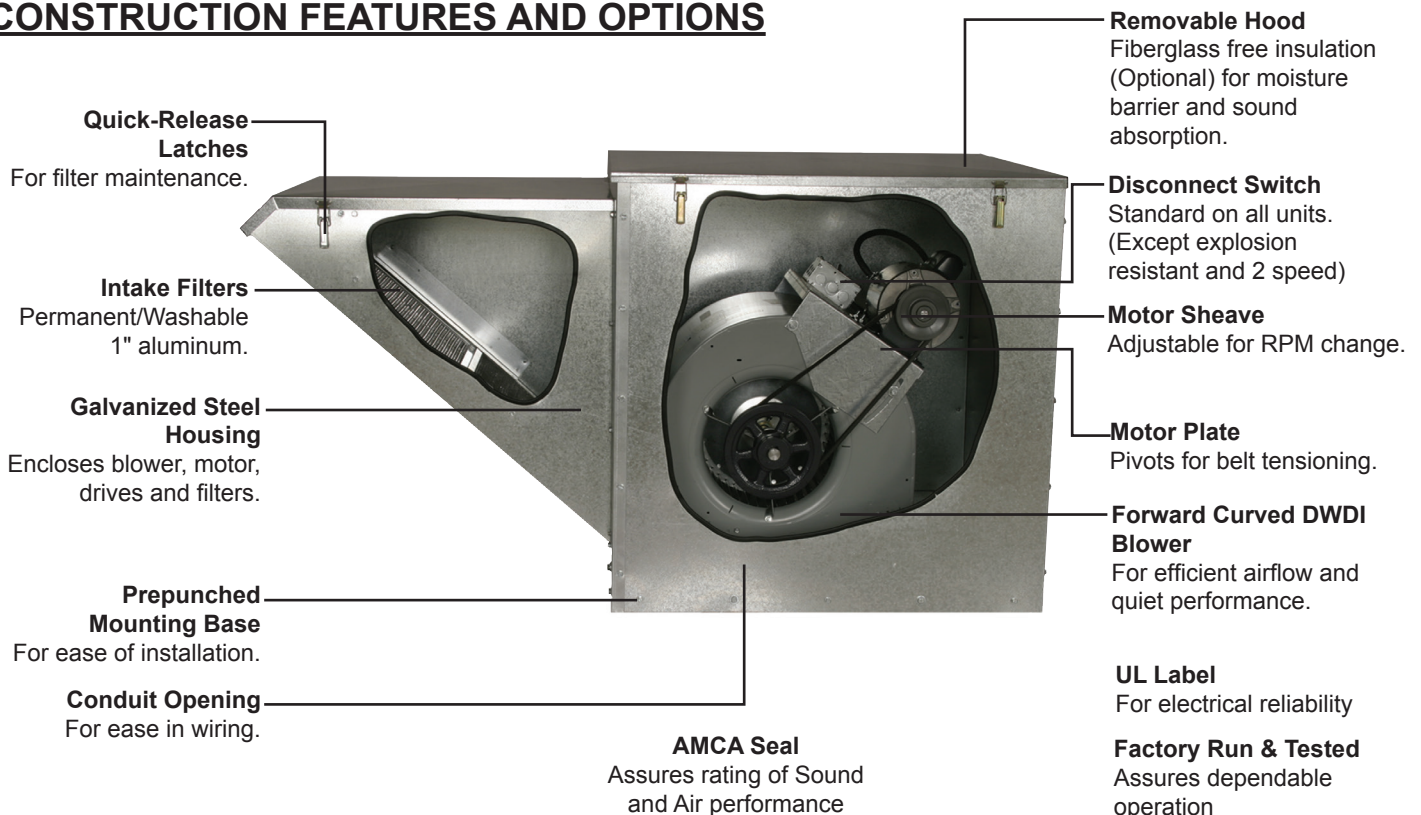
Model KSF fans are roof curb or curb cap mounted filtered supply fans rated from 375 to over 12,000 CFM, with static pressure capabilities to 2". They are specifically designed for filtered make-up air in kitchen hood applications. Model KSF's rugged design with heavy-gauge galvanized construction provides maximum weather protection, long life and the utmost in performance efficiency. The forward curved centrifugal blower provides efficient air flow at low sound levels with static pressure capabilities to handle ducted air systems or hoods within a building. The filters are washable and are reusable to reduce maintenance costs. Quick release hood latches make routine cleaning and maintenance fast and easy.

Model KSF is available in our Quickship program. Sizes 9-18 are available for next day or 3-day shipping from stock.



The primary use of these fans is for filtered make-up air in kitchen hood applications but may also be specified for make-up air in commercial and industrial applications such as manufacturing and assembly areas.

CONSTRUCTION FEATURES AND OPTIONS



Industry best 5 year fan housing warranty, 1 year motor warranty

All specifications are subject to change without notice unless approved in submittal by JencoFan.



CONSTRUCTION/SPECIFICATION CHECKLIST

Blower

- Statically and dynamically balanced forward curved wheel.
- 12-gauge galvanized steel blower plate/discharge opening.
- 18-gauge galvanized steel housing.
- Prepunched mounting holes.
- Conduit opening for wiring from below unit.

Motors

- 1 year warranty.
- Brands are nationally recognized and locally serviced.
- Single speed open drip-proof are standard.
- Explosion-proof, totally enclosed and two-speed motors are available.
- All motors are rated for continuous duty.
- 182T and larger motors shipped unmounted for field installation.
- Disconnect switch standard with single speed drip-proof and totally enclosed motors.

Hood

- Heavy-gauge galvanized steel hood.
- Quick-release latches for removal from housing.
- 1 inch washable aluminum mesh filters.

Drives

- Adjustable motor pulleys are standard.
- Sized for minimum 150% of drive horsepower.
- Machined cast iron adjustable motor pulleys.
- Pivoting motor plate for belt tensioning.
- Nonstatic oil resistant V-belts.

Certifications

- AMCA Air and Sound Licensed.
- cULus Standard 705 Listed Power Roof Ventilator label assures electrical reliability.
- cULus label must be specified when needed.

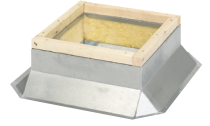


OPTIONS/ACCESSORIES

Insulated Hood: High performance and ecologically friendly fiberglass free insulation only.

Intake Extension: Extensions are available for all size KSF fans to provide NFPA required clearance from the exhaust fan on factory supplied common curbs. Extensions are made from heavy-gauge galvanized steel and require equipment supports on the intake end.

Roof Curb: Prefabricated heavy-gauge galvanized steel, welded construction, 12" high with 1-1/2" wood nailer. Options include single and double pitch construction and additional curb heights.



Motor Operated Damper: Motor operated aluminum damper for positive closure against backdraft (counter balanced).



Automatic Damper: Automatic aluminum damper for ease in installation and effective backdraft protection (counter balanced).

Duct Adapter: For ease in connecting discharge duct to fan outlet.

Common Curb: Designed to allow both the supply fan and exhaust fan to be mounted on the same curb. This curb requires only one roof opening and speeds installation time.

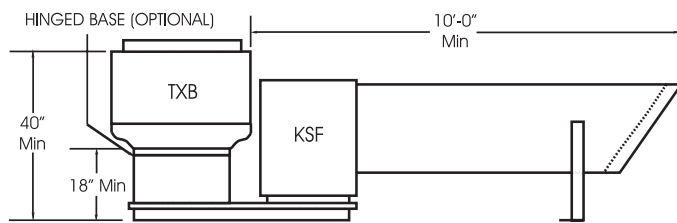
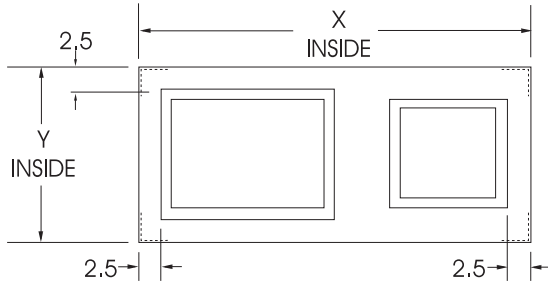
Special Coatings: For protective and decorative purposes. Available coatings include: Epoxy, Synthetic Resin, and Heresite (air-dried phenolic). Contact your JencoFan representative or the factory for more information on available coatings and colors.



NFPA96 INSTALLATION AND COMMON CURB ADAPTOR

Typical Installation

NFPA96 requires a 10 foot minimum distance between the exhaust fan and supply fan intake. The intake extension (optional) provides this clearance. Also required are hinged curb caps on the exhaust fan and some areas require a vented curb extension.



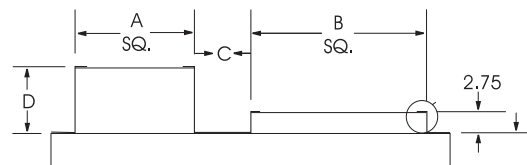
NFPA96 Alternate Installation

Where space limitations absolutely prevent a 10 foot separation from the air intake, a vertical separation may be permitted with the exhaust outlet being a minimum of 3 feet above any air intake located within 10 feet horizontally.

Important: Always check with the authority having jurisdiction to verify local codes and requirements.

Common Curb and Adaptor

The common curb and adaptor allows for mounting both the exhaust fan and supply fans onto one roof opening. Follow the chart below for sizing and ordering common curbs and adaptors.



Common Curb Adaptor

MODEL		STOCK NO. 8" HIGH COMMON CURB	COMMON CURB L x W OD	STOCK NO. CURB CAP ADAPTOR	CURB CAP ADAPTOR X x Y OD	CURB CAP OPENING	
TXB	KSF					EXHAUST FAN OUTLET A Sq	SUPPLY FAN OUTLET B Sq
8/10	9	2302.BC10X9	55-3/4 x 27-1/2	2302.BA10X9	56-3/4 x 29	14-3/4	23-3/4
12	9	2302.BC12X9	59-1/4 x 27-1/2	2302.BA12X9	60-3/4 x 29	22-1/4	23-3/4
15/16	10	2302.BC15X10	65 x 31-1/4	2302.BA15X10	66-1/2 x 32-3/4	22-1/4	27-3/4
15/16	12	2302.BC15X12	69 x 35-1/4	2302.BA15X12	70-1/4 x 36-3/4	22-1/4	31-3/4
15/16	15	2302.BC15X15	69 x 35-1/4	2302.BA15X15	70-1/4 x 36-3/4	22-1/4	31-3/4
18	12	2302.BC18X12/15	74-1/2 x 35-1/4	2302.BA18X12	76 x 36-3/4	27-3/4	31-3/4
18	15	2302.BC18X12/15	74-1/2 x 35-1/4	2302.BA18X15	76 x 36-3/4	27-3/4	31-3/4
20	12	2302.BC20X12	74-1/2 x 35-1/4	2302.BA20X12	76 x 36-3/4	27-3/4	31-3/4
20	15	2302.BC20X15	74-1/2 x 35-1/4	2302.BA20X15	76 x 36-3/4	27-3/4	31-3/4
24	15	2302.BC24X15	82-1/2 x 38-1/2	2302.BA24X15	84 x 40	33-3/4	31-3/4
24	18	2302.BC24X18	86-1/2 x 39-1/4	2302.BA24X18	88 x 40-3/4	33-3/4	35-3/4
30	18	2302.BC30X18	94-1/2 x 45-3/4	2302.BA30X18	96 x 47-1/4	40-3/4	35-3/4
30	20	2302.BC30X20	108-1/2 x 54-1/4	2302.BA30X20	110 x 55-3/4	40-3/4	50-1/4
36	20	2302.BC36X20	113-1/2 x 54-1/4	2302.BA36X20	115 x 55-3/4	40-3/4	50-1/4



PERFORMANCE/DIMENSIONS

KSF9

MODEL KSF	CFM	OV		Static Pressure in Inches w.g.										
				1/8	1/4	3/8	1/2	5/8	3/4	1	1 1/4	1 1/2	2	
9	375	426	RPM	486	-	-	-	-	-	-	-	-	-	-
			BHP	0.03	-	-	-	-	-	-	-	-	-	-
			Sones	4.4	-	-	-	-	-	-	-	-	-	-
	475	540	RPM	502	-	-	-	-	-	-	-	-	-	-
			BHP	0.04	-	-	-	-	-	-	-	-	-	-
			Sones	4.9	-	-	-	-	-	-	-	-	-	-
	575	653	RPM	526	694	-	-	-	-	-	-	-	-	-
			BHP	0.05	0.09	-	-	-	-	-	-	-	-	-
			Sones	5.7	9.9	-	-	-	-	-	-	-	-	-
	675	767	RPM	558	711	846	-	-	-	-	-	-	-	-
			BHP	0.07	0.11	0.17	-	-	-	-	-	-	-	-
			Sones	6.8	10.4	13.9	-	-	-	-	-	-	-	-
	775	881	RPM	597	733	861	-	-	-	-	-	-	-	-
			BHP	0.09	0.13	0.19	-	-	-	-	-	-	-	-
			Sones	8.1	11.2	14.5	-	-	-	-	-	-	-	-
	875	994	RPM	640	762	880	-	-	-	-	-	-	-	-
			BHP	0.11	0.16	0.22	-	-	-	-	-	-	-	-
			Sones	9.8	12.2	15.3	-	-	-	-	-	-	-	-
	975	1108	RPM	688	796	904	1009	-	-	-	-	-	-	-
			BHP	0.15	0.19	0.25	0.32	-	-	-	-	-	-	-
			Sones	11.3	13.3	16.3	19.5	-	-	-	-	-	-	-
	1075	1222	RPM	737	835	934	1031	1125	1214	-	-	-	-	-
			BHP	0.19	0.24	0.29	0.36	0.44	0.52	-	-	-	-	-
			Sones	12.8	15.1	17.6	21	24	28	-	-	-	-	-
	1175	1335	RPM	789	878	968	1058	1146	1232	-	-	-	-	-
			BHP	0.23	0.28	0.35	0.41	0.49	0.58	-	-	-	-	-
			Sones	14.6	16.9	19.1	22	25	29	-	-	-	-	-
	1275	1449	RPM	842	923	1006	1089	1172	1253	1407	-	-	-	-
			BHP	0.29	0.34	0.4	0.48	0.55	0.64	0.83	-	-	-	-
			Sones	16.5	18.7	21	24	27	30	36	-	-	-	-
1375	1563	RPM	895	971	1047	1124	1202	1278	1426	1565	-	-	-	
		BHP	0.35	0.41	0.47	0.55	0.62	0.71	0.9	1.12	-	-	-	
		Sones	18.6	21	23	26	29	32	37	42	-	-	-	
1475	1676	RPM	950	1020	1091	1163	1235	1307	1447	1582	1710	-	-	
		BHP	0.43	0.49	0.55	0.63	0.71	0.79	0.99	1.2	1.44	-	-	
		Sones	21	23	25	28	31	34	38	46	48	-	-	
1575	1790	RPM	1005	1071	1137	1204	1271	1339	1472	1602	1726	1956	-	
		BHP	0.51	0.57	0.64	0.72	0.8	0.89	1.08	1.3	1.54	2.06	-	
		Sones	23	25	27	30	33	35	39	44	49	60	-	
1675	1903	RPM	1061	1122	1184	1247	1310	1374	1500	1624	1745	1970	-	
		BHP	0.61	0.67	0.74	0.82	0.9	0.99	1.19	1.41	1.65	2.18	-	
		Sones	26	28	30	33	35	37	41	46	50	61	-	
1775	2017	RPM	1118	1175	1233	1292	1352	1412	1531	1650	1766	1986	-	
		BHP	0.72	0.78	0.86	0.93	1.02	1.11	1.31	1.53	1.77	2.31	-	
		Sones	29	31	33	36	37	39	43	47	52	62	-	
1875	2131	RPM	1175	1229	1283	1339	1395	1452	1565	1678	1789	-	-	
		BHP	0.84	0.91	0.98	1.06	1.15	1.24	1.44	1.66	1.91	-	-	
		Sones	31	33	35	38	39	41	45	49	53	-	-	
1975	2244	RPM	1232	1283	1335	1387	1440	1494	1601	1709	1816	-	-	
		BHP	0.97	1.04	1.12	1.2	1.29	1.38	1.59	1.81	2.06	-	-	
		Sones	34	36	38	40	42	43	47	50	55	-	-	
2075	2358	RPM	1289	1337	1387	1437	1487	1538	1640	1742	1844	-	-	
		BHP	1.12	1.19	1.27	1.36	1.45	1.54	1.75	1.98	2.22	-	-	
		Sones	37	39	41	42	44	46	49	52	56	-	-	
2175	2472	RPM	1346	1393	1440	1487	1535	1583	1680	1778	-	-	-	
		BHP	1.28	1.36	1.44	1.53	1.62	1.72	1.93	2.16	-	-	-	
		Sones	40	41	43	44	46	48	51	54	-	-	-	
2275	2585	RPM	1404	1448	1493	1538	1584	1630	1723	-	-	-	-	
		BHP	1.46	1.54	1.62	1.71	1.81	1.91	2.12	-	-	-	-	
		Sones	43	44	45	47	48	50	54	-	-	-	-	
2375	2699	RPM	1462	1504	1547	1590	1634	1678	-	-	-	-	-	
		BHP	1.65	1.74	1.82	1.92	2.01	2.11	-	-	-	-	-	
		Sones	45	46	48	49	51	53	-	-	-	-	-	



JencoFan, Div. of Soler & Palau Ventilation Group, certifies that the Models KSF shown herein are licensed to bear the AMCA Seal. The ratings shown are based on test and procedures performed in accordance with AMCA Publication 211 and AMCA Publication 311 and comply with the requirement of the AMCA Certified Ratings Program.



Performance certified is for installation type B: free inlet, ducted outlet. Power rating (BHP) does not include transmission losses. Performance ratings do not include the effects of appurtenances (accessories). The sound ratings shown are loudness values in fan sones at a distance of 1.5 m (5 ft) in a hemispherical free field calculated per AMCA International Standard 301. Values shown are for installation type B: ducted outlet hemispherical sone levels. Ratings do not include the effect of duct end correction.



KSF10

MODEL KSF	CFM	OV		Static Pressure in Inches w.g.									
				1/8	1/4	3/8	1/2	5/8	3/4	1	1 1/4	1 1/2	
10	1050	981	RPM	533	-	-	-	-	-	-	-	-	-
			BHP	0.11	-	-	-	-	-	-	-	-	-
			Sones	7.4	-	-	-	-	-	-	-	-	-
	1150	1075	RPM	564	662	756	-	-	-	-	-	-	-
			BHP	0.14	0.18	0.24	-	-	-	-	-	-	-
			Sones	8.4	10.6	13.4	-	-	-	-	-	-	-
	1250	1168	RPM	596	687	776	860	-	-	-	-	-	-
			BHP	0.17	0.22	0.27	0.34	-	-	-	-	-	-
			Sones	9.6	11.6	14.2	16.7	-	-	-	-	-	-
	1350	1262	RPM	628	714	797	877	955	-	-	-	-	-
			BHP	0.2	0.25	0.31	0.38	0.45	-	-	-	-	-
			Sones	10.9	12.8	14.9	17.3	19.9	-	-	-	-	-
	1450	1355	RPM	662	743	821	897	970	1042	-	-	-	-
			BHP	0.24	0.3	0.36	0.42	0.5	0.58	-	-	-	-
			Sones	12.4	13.9	15.9	18.1	21	23	-	-	-	-
	1550	1449	RPM	697	773	847	918	989	1057	-	-	-	-
			BHP	0.29	0.34	0.41	0.47	0.55	0.63	-	-	-	-
			Sones	13.8	15.2	17.1	18.9	22	24	-	-	-	-
	1650	1542	RPM	732	804	874	942	1009	1074	1200	-	-	-
			BHP	0.34	0.4	0.46	0.53	0.61	0.69	0.87	-	-	-
			Sones	15.3	16.6	18.1	19.9	22	25	30	-	-	-
	1750	1636	RPM	767	836	903	967	1031	1093	1214	1330	-	-
			BHP	0.4	0.46	0.53	0.6	0.67	0.76	0.94	1.14	-	-
			Sones	16.7	17.8	19.4	21	23	26	31	35	-	-
	1850	1729	RPM	803	869	932	994	1054	1114	1230	1342	1449	-
			BHP	0.46	0.53	0.6	0.67	0.75	0.83	1.02	1.22	1.45	-
			Sones	18.2	19.3	21	23	24	27	31	36	40	-
1950	1822	RPM	839	902	963	1022	1080	1137	1248	1356	1460	-	
		BHP	0.53	0.6	0.67	0.75	0.83	0.91	1.1	1.31	1.53	-	
		Sones	19.5	21	22	24	26	28	32	37	40	-	
2050	1916	RPM	876	936	994	1051	1106	1161	1268	1372	1473	-	
		BHP	0.61	0.68	0.76	0.84	0.92	1	1.19	1.4	1.63	-	
		Sones	21	23	24	25	27	29	33	37	41	-	
2150	2009	RPM	913	971	1026	1080	1134	1186	1289	1390	1488	-	
		BHP	0.7	0.77	0.85	0.93	1.01	1.1	1.29	1.51	1.73	-	
		Sones	23	24	25	27	28	30	34	38	42	-	
2250	2103	RPM	950	1005	1059	1111	1162	1213	1312	1409	1504	-	
		BHP	0.79	0.87	0.95	1.03	1.12	1.21	1.41	1.62	1.85	-	
		Sones	24	26	27	28	30	32	35	39	42	-	
2350	2196	RPM	987	1040	1092	1142	1192	1240	1336	1430	1522	-	
		BHP	0.9	0.98	1.06	1.15	1.23	1.33	1.53	1.74	1.97	-	
		Sones	26	27	28	30	32	33	36	40	43	-	
2450	2290	RPM	1024	1076	1126	1175	1222	1269	1361	1452	1541	-	
		BHP	1.01	1.09	1.18	1.27	1.36	1.45	1.65	1.87	2.11	-	
		Sones	28	29	30	32	33	35	38	41	44	-	
2550	2383	RPM	1062	1112	1160	1207	1253	1298	1388	1475	-	-	
		BHP	1.13	1.22	1.31	1.4	1.49	1.59	1.79	2.01	-	-	
		Sones	30	31	32	34	35	36	39	42	-	-	
2650	2477	RPM	1099	1148	1195	1240	1284	1328	1415	-	-	-	
		BHP	1.26	1.35	1.45	1.54	1.63	1.73	1.94	-	-	-	
		Sones	32	33	34	35	37	38	40	-	-	-	
2750	2570	RPM	1137	1184	1229	1273	1316	1359	1443	-	-	-	
		BHP	1.4	1.5	1.59	1.69	1.79	1.89	2.1	-	-	-	
		Sones	34	35	36	37	38	40	42	-	-	-	
2850	2664	RPM	1175	1221	1265	1307	1349	1390	-	-	-	-	
		BHP	1.56	1.65	1.75	1.85	1.95	2.06	-	-	-	-	
		Sones	35	37	38	39	40	41	-	-	-	-	
2950	2757	RPM	1213	1257	1300	1341	-	-	-	-	-	-	
		BHP	1.72	1.82	1.92	2.02	-	-	-	-	-	-	
		Sones	37	39	40	41	-	-	-	-	-	-	
3050	2850	RPM	1251	1294	1336	-	-	-	-	-	-	-	
		BHP	1.89	2	2.1	-	-	-	-	-	-	-	
		Sones	39	41	42	-	-	-	-	-	-	-	



JencoFan, Div. of Soler & Palau Ventilation Group, certifies that the Models KSF shown herein are licensed to bear the AMCA Seal. The ratings shown are based on test and procedures performed in accordance with AMCA Publication 211 and AMCA Publication 311 and comply with the requirement of the AMCA Certified Ratings Program.



Performance certified is for installation type B: free inlet, ducted outlet. Power rating (BHP) does not include transmission losses. Performance ratings do not include the effects of appurtenances (accessories). The sound ratings shown are loudness values in fan sones at a distance of 1.5 m (5 ft) in a hemispherical free field calculated per AMCA International Standard 301. Values shown are for installation type B: ducted outlet hemispherical sone levels. Ratings do not include the effect of duct end correction.



KSF12

MODEL KSF	CFM	OV		Static Pressure in Inches w.g.									
				1/8	1/4	3/8	1/2	5/8	3/4	1	1 1/4	1 1/2	
12	1150	767	RPM	378	495	-	-	-	-	-	-	-	-
			BHP	0.1	0.17	-	-	-	-	-	-	-	-
			Sones	3.5	5.9	-	-	-	-	-	-	-	-
	1350	900	RPM	404	508	604	-	-	-	-	-	-	-
			BHP	0.13	0.21	0.3	-	-	-	-	-	-	-
			Sones	4.1	6.3	8.9	-	-	-	-	-	-	-
	1600	1067	RPM	444	532	618	-	-	-	-	-	-	-
			BHP	0.2	0.27	0.36	-	-	-	-	-	-	-
			Sones	5.6	6.9	9.3	-	-	-	-	-	-	-
	1800	1200	RPM	479	556	635	711	-	-	-	-	-	-
			BHP	0.26	0.34	0.43	0.54	-	-	-	-	-	-
			Sones	6.9	7.6	9.7	11.9	-	-	-	-	-	-
	2000	1333	RPM	516	585	656	726	794	-	-	-	-	-
			BHP	0.34	0.42	0.51	0.62	0.75	-	-	-	-	-
			Sones	8.3	8.7	10.3	12.4	14.6	-	-	-	-	-
	2200	1467	RPM	555	617	681	745	808	870	-	-	-	-
			BHP	0.43	0.52	0.62	0.73	0.85	0.99	-	-	-	-
			Sones	9.9	10.1	10.9	13.1	15.2	17.3	-	-	-	-
	2400	1600	RPM	594	651	709	768	827	885	-	-	-	-
			BHP	0.54	0.63	0.74	0.85	0.97	1.11	-	-	-	-
			Sones	11.6	11.5	12.3	13.9	15.9	17.8	-	-	-	-
	2600	1733	RPM	635	687	740	794	849	903	1009	-	-	-
			BHP	0.67	0.77	0.88	0.99	1.12	1.26	1.57	-	-	-
			Sones	13.4	13.2	13.8	14.8	16.6	18.4	22	-	-	-
	2700	1800	RPM	655	705	757	808	861	913	1016	1114	-	-
			BHP	0.75	0.85	0.96	1.07	1.2	1.34	1.65	1.99	-	-
			Sones	14.3	14.1	14.7	15.6	17.1	18.8	23	27	-	-
	2800	1867	RPM	676	724	773	823	874	924	1024	1120	1212	-
			BHP	0.83	0.93	1.04	1.16	1.29	1.43	1.74	2.08	2.46	-
			Sones	15.2	15.1	15.5	16.3	17.5	19.2	23	27	31	-
2900	1933	RPM	697	743	790	839	887	936	1033	1127	1218	-	
		BHP	0.91	1.02	1.13	1.25	1.38	1.52	1.83	2.18	2.56	-	
		Sones	16.1	16.1	16.4	17.1	18.1	19.7	24	27	31	-	
3000	2000	RPM	718	762	808	854	901	948	1042	1134	1223	-	
		BHP	1	1.11	1.22	1.35	1.48	1.62	1.93	2.28	2.67	-	
		Sones	17.1	16.9	17.3	17.9	18.7	20	24	28	32	-	
3100	2067	RPM	739	782	826	871	916	961	1053	1142	1230	-	
		BHP	1.1	1.21	1.33	1.45	1.59	1.73	2.04	2.39	2.78	-	
		Sones	18.2	17.9	18.1	18.7	19.5	21	24	28	32	-	
3200	2133	RPM	760	802	844	887	931	975	1063	1151	1236	-	
		BHP	1.2	1.31	1.43	1.56	1.7	1.84	2.16	2.51	2.89	-	
		Sones	19.2	19.1	19.1	19.4	20	21	25	29	32	-	
3400	2267	RPM	803	842	881	922	962	1004	1087	1170	-	-	
		BHP	1.42	1.54	1.67	1.8	1.94	2.09	2.41	2.76	-	-	
		Sones	21	21	21	22	22	23	26	29	-	-	
3600	2400	RPM	845	882	919	957	996	1035	1113	1191	-	-	
		BHP	1.67	1.8	1.93	2.07	2.21	2.37	2.69	3.05	-	-	
		Sones	23	23	23	24	24	25	27	30	-	-	
3800	2533	RPM	888	923	958	994	1030	1067	1141	-	-	-	
		BHP	1.95	2.09	2.22	2.37	2.51	2.67	3	-	-	-	
		Sones	26	25	25	26	26	27	28	-	-	-	
4000	2667	RPM	931	964	998	1032	1066	1100	-	-	-	-	
		BHP	2.26	2.4	2.55	2.69	2.85	3.01	-	-	-	-	
		Sones	28	28	27	28	28	29	-	-	-	-	
4200	2800	RPM	975	1006	1038	1070	-	-	-	-	-	-	
		BHP	2.61	2.75	2.9	3.05	-	-	-	-	-	-	
		Sones	30	30	30	30	-	-	-	-	-	-	
4400	2933	RPM	1018	1048	-	-	-	-	-	-	-	-	
		BHP	2.98	3.13	-	-	-	-	-	-	-	-	
		Sones	32	32	-	-	-	-	-	-	-	-	



JencoFan, Div. of Soler & Palau Ventilation Group, certifies that the Models KSF shown herein are licensed to bear the AMCA Seal. The ratings shown are based on test and procedures performed in accordance with AMCA Publication 211 and AMCA Publication 311 and comply with the requirement of the AMCA Certified Ratings Program.



Performance certified is for installation type B: free inlet, ducted outlet. Power rating (BHP) does not include transmission losses. Performance ratings do not include the effects of appurtenances (accessories). The sound ratings shown are loudness values in fan sones at a distance of 1.5 m (5 ft) in a hemispherical free field calculated per AMCA International Standard 301. Values shown are for installation type B: ducted outlet hemispherical sone levels. Ratings do not include the effect of duct end correction.



KSF15

MODEL KSF	CFM	OV		Static Pressure in Inches w.g.											
				1/8	1/4	3/8	1/2	5/8	3/4	1	1 1/4	1 1/2	2		
15	1625	763	RPM	355	441	517	-	-	-	-	-	-	-	-	-
			BHP	0.12	0.18	0.25	-	-	-	-	-	-	-	-	-
			Sones	5.3	6.5	8.1	-	-	-	-	-	-	-	-	-
	2025	951	RPM	403	475	543	606	-	-	-	-	-	-	-	-
			BHP	0.19	0.26	0.34	0.43	-	-	-	-	-	-	-	-
			Sones	7.7	8.2	9.3	10.6	-	-	-	-	-	-	-	-
	2425	1138	RPM	456	517	576	633	688	-	-	-	-	-	-	-
			BHP	0.29	0.37	0.46	0.56	0.66	-	-	-	-	-	-	-
			Sones	9.9	10.4	11.1	12.1	13.4	-	-	-	-	-	-	-
	2825	1326	RPM	512	565	617	668	717	765	-	-	-	-	-	-
			BHP	0.44	0.52	0.62	0.72	0.83	0.95	-	-	-	-	-	-
			Sones	12.4	13.3	13.6	14.3	15.3	16.5	-	-	-	-	-	-
	3230	1516	RPM	572	617	663	708	753	797	-	-	-	-	-	-
			BHP	0.62	0.72	0.82	0.93	1.05	1.17	-	-	-	-	-	-
			Sones	15.1	15.9	16.5	16.9	17.8	18.7	-	-	-	-	-	-
3640	1709	RPM	633	674	714	755	795	835	875	913	-	-	-	-	
		BHP	0.87	0.97	1.08	1.2	1.32	1.45	1.73	-	-	-	-	-	
		Sones	18.2	19.1	20	21	21	22	23	-	-	-	-	-	
3840	1803	RPM	664	702	741	779	817	855	890	930	1002	-	-	-	
		BHP	1.01	1.11	1.23	1.35	1.48	1.61	1.9	2.21	-	-	-	-	
		Sones	19.9	21	22	22	22	23	24	26	-	-	-	-	
4045	1899	RPM	695	731	768	805	841	877	913	949	1018	1085	-	-	
		BHP	1.16	1.27	1.39	1.52	1.65	1.79	2.08	2.4	2.73	-	-	-	
		Sones	22	22	23	24	24	25	26	27	29	-	-	-	
4245	1993	RPM	726	761	795	830	865	900	936	972	1008	1044	1080	1116	
		BHP	1.33	1.45	1.57	1.7	1.84	1.98	2.28	2.6	2.94	3.28	3.62	3.96	
		Sones	24	24	25	26	26	26	27	28	30	31	32	33	
4445	2087	RPM	757	790	823	857	890	923	956	989	1022	1055	1088	1121	
		BHP	1.52	1.64	1.77	1.9	2.04	2.18	2.49	2.82	3.17	3.51	3.85	4.19	
		Sones	25	26	26	27	28	28	28	30	31	32	33	34	
4645	2181	RPM	788	820	851	883	915	947	979	1010	1041	1072	1103	1134	
		BHP	1.72	1.85	1.98	2.11	2.26	2.41	2.72	3.06	3.41	3.75	4.10	4.44	
		Sones	27	27	28	29	29	30	30	31	31	32	33	34	
4850	2277	RPM	820	850	881	911	942	972	1003	1033	1063	1093	1123	1153	
		BHP	1.95	2.08	2.21	2.35	2.5	2.66	2.98	3.32	3.66	4.00	4.34	4.68	
		Sones	28	29	30	30	31	32	32	33	34	35	36	37	
5050	2371	RPM	851	880	910	939	968	998	1027	1056	1085	1114	1143	1172	
		BHP	2.19	2.32	2.46	2.61	2.76	2.92	3.25	3.6	3.97	4.34	4.71	5.08	
		Sones	30	31	31	32	33	34	34	35	36	37	38	39	
5200	2441	RPM	875	903	932	960	989	1017	1045	1073	1101	1129	1157	1185	
		BHP	2.38	2.52	2.66	2.81	2.96	3.12	3.46	3.82	4.19	4.55	4.92	5.28	
		Sones	32	32	33	33	34	35	35	36	37	38	39	40	
5400	2535	RPM	907	934	961	988	1016	1043	1070	1097	1124	1151	1178	1205	
		BHP	2.66	2.8	2.94	3.1	3.26	3.42	3.76	4.13	4.51	4.88	5.25	5.62	
		Sones	33	34	34	35	36	37	37	38	39	40	41	42	
5600	2629	RPM	938	964	991	1017	1043	1070	1097	1123	1149	1175	1201	1227	
		BHP	2.95	3.1	3.25	3.41	3.57	3.74	4.09	4.46	4.85	5.23	5.61	5.99	
		Sones	35	36	36	37	37	38	39	40	41	42	43	44	
5800	2723	RPM	970	995	1020	1046	1071	1097	1123	1148	1173	1198	1223	1248	
		BHP	3.27	3.42	3.58	3.74	3.9	4.07	4.43	4.81	5.19	5.57	5.95	6.33	
		Sones	37	38	38	39	40	40	42	42	43	44	45	46	
6000	2817	RPM	1001	1026	1050	1075	1100	1124	1148	1172	1196	1220	1244	1268	
		BHP	3.61	3.76	3.92	4.09	4.26	4.44	4.8	5.16	5.52	5.88	6.24	6.60	
		Sones	39	40	40	41	41	42	44	44	45	46	47	48	
6400	3005	RPM	1065	1088	1111	1134	1157	-	-	-	-	-	-	-	
		BHP	4.36	4.52	4.69	4.86	5.04	-	-	-	-	-	-	-	
		Sones	44	44	45	45	46	-	-	-	-	-	-	-	



JencoFan, Div. of Soler & Palau Ventilation Group, certifies that the Models KSF shown herein are licensed to bear the AMCA Seal. The ratings shown are based on test and procedures performed in accordance with AMCA Publication 211 and AMCA Publication 311 and comply with the requirement of the AMCA Certified Ratings Program.



Performance certified is for installation type B: free inlet, ducted outlet. Power rating (BHP) does not include transmission losses. Performance ratings do not include the effects of appurtenances (accessories). The sound ratings shown are loudness values in fan sones at a distance of 1.5 m (5 ft) in a hemispherical free field calculated per AMCA International Standard 301. Values shown are for installation type B: ducted outlet hemispherical sone levels. Ratings do not include the effect of duct end correction.



KSF18

MODEL KSF	CFM	OV		Static Pressure in Inches w.g.													
				1/8	1/4	3/8	1/2	5/8	3/4	1	1 1/4	1 1/2	2				
18	2200	748	RPM	324	386	-	-	-	-	-	-	-	-	-	-	-	
			BHP	0.15	0.21	-	-	-	-	-	-	-	-	-	-	-	-
			Sones	5.3	6.6	-	-	-	-	-	-	-	-	-	-	-	-
	2400	816	RPM	341	400	454	-	-	-	-	-	-	-	-	-	-	
			BHP	0.18	0.25	0.32	-	-	-	-	-	-	-	-	-	-	-
			Sones	5.9	7.2	8.8	-	-	-	-	-	-	-	-	-	-	-
	2800	952	RPM	379	431	480	526	570	611	-	-	-	-	-	-	-	
			BHP	0.26	0.33	0.41	0.5	0.6	0.7	-	-	-	-	-	-	-	-
			Sones	7.5	8.4	9.9	11.8	13.9	15.8	-	-	-	-	-	-	-	-
	3000	1020	RPM	398	448	495	539	581	621	696	-	-	-	-	-	-	
			BHP	0.31	0.38	0.47	0.56	0.66	0.76	0.99	-	-	-	-	-	-	-
			Sones	8.3	9.2	10.5	12.4	14.4	16.6	19.7	-	-	-	-	-	-	-
	3400	1156	RPM	438	483	526	566	605	643	714	780	842	-	-	-	-	
			BHP	0.42	0.51	0.6	0.7	0.8	0.91	1.15	1.4	1.68	-	-	-	-	-
			Sones	10.1	10.9	11.9	13.5	15.5	17.6	21	24	27	-	-	-	-	-
	3600	1224	RPM	458	502	542	581	619	655	724	789	849	961	-	-	-	
			BHP	0.49	0.58	0.67	0.78	0.88	0.99	1.24	1.5	1.78	2.38	-	-	-	-
			Sones	10.9	11.8	12.7	14.2	16.1	18.1	22	25	27	33	-	-	-	-
4200	1429	RPM	520	559	595	630	664	696	759	819	876	983	-	-	-		
		BHP	0.74	0.84	0.95	1.06	1.18	1.3	1.56	1.83	2.13	2.77	-	-	-	-	
		Sones	14.1	14.9	15.7	16.9	18.4	19.8	23	26	30	36	-	-	-	-	
4600	1565	RPM	562	599	632	665	696	727	786	842	897	999	-	-	-		
		BHP	0.95	1.06	1.18	1.3	1.42	1.55	1.82	2.1	2.41	3.07	-	-	-	-	
		Sones	16.2	17.1	17.8	18.9	19.9	21	25	27	31	37	-	-	-	-	
5200	1769	RPM	626	659	690	720	749	776	830	883	933	1029	-	-	-		
		BHP	1.34	1.47	1.59	1.73	1.86	2	2.28	2.59	2.91	3.6	-	-	-	-	
		Sones	19.9	21	22	22	23	24	27	29	33	39	-	-	-	-	
5400	1837	RPM	648	680	710	739	767	794	846	897	946	1041	-	-	-		
		BHP	1.49	1.62	1.75	1.89	2.03	2.17	2.46	2.77	3.1	3.8	-	-	-	-	
		Sones	21	22	23	24	24	25	27	30	34	40	-	-	-	-	
5800	1973	RPM	691	721	750	777	803	829	879	927	974	1064	-	-	-		
		BHP	1.82	1.96	2.11	2.25	2.4	2.55	2.86	3.18	3.52	4.24	-	-	-	-	
		Sones	24	24	25	26	26	27	29	32	35	41	-	-	-	-	
6000	2041	RPM	713	742	770	796	822	847	896	943	989	1077	-	-	-		
		BHP	2	2.15	2.3	2.45	2.6	2.75	3.07	3.4	3.74	4.47	-	-	-	-	
		Sones	25	25	26	27	28	29	30	33	36	42	-	-	-	-	
6400	2177	RPM	756	784	810	836	861	885	931	976	1020	1104	-	-	-		
		BHP	2.41	2.57	2.73	2.89	3.05	3.21	3.54	3.88	4.24	4.99	-	-	-	-	
		Sones	27	28	28	29	30	31	33	34	37	44	-	-	-	-	
6600	2245	RPM	778	805	831	856	880	903	949	993	1035	1118	-	-	-		
		BHP	2.63	2.8	2.96	3.12	3.29	3.45	3.79	4.14	4.51	5.27	-	-	-	-	
		Sones	28	29	30	31	32	32	34	36	38	45	-	-	-	-	
7000	2381	RPM	822	848	872	896	919	942	985	1027	1068	1147	-	-	-		
		BHP	3.11	3.29	3.47	3.64	3.81	3.99	4.35	4.71	5.09	5.88	-	-	-	-	
		Sones	31	32	33	33	34	35	37	38	40	46	-	-	-	-	
7200	2449	RPM	844	869	893	917	939	961	1004	1045	1085	1163	-	-	-		
		BHP	3.38	3.56	3.74	3.92	4.1	4.28	4.64	5.02	5.4	6.2	-	-	-	-	
		Sones	33	33	34	35	36	37	38	40	41	47	-	-	-	-	
7600	2585	RPM	888	912	935	958	979	1000	1041	1081	1119	1194	-	-	-		
		BHP	3.95	4.14	4.33	4.52	4.71	4.9	5.28	5.67	6.07	6.9	-	-	-	-	
		Sones	36	36	37	38	39	39	41	43	45	50	-	-	-	-	
7800	2653	RPM	910	934	956	978	999	1020	1060	1099	1137	1210	-	-	-		
		BHP	4.26	4.46	4.65	4.85	5.04	5.24	5.63	6.03	6.43	7.27	-	-	-	-	
		Sones	37	38	39	40	40	41	43	44	46	51	-	-	-	-	
8400	2857	RPM	977	999	1020	1040	1061	1080	1118	1155	1191	-	-	-	-		
		BHP	5.29	5.5	5.71	5.92	6.13	6.34	6.76	7.18	7.61	-	-	-	-		
		Sones	42	43	44	44	45	46	48	49	51	-	-	-	-	-	
8800	2993	RPM	1021	1042	1063	1082	1102	1121	1157	-	-	-	-	-			
		BHP	6.06	6.28	6.5	6.72	6.94	7.16	7.6	-	-	-	-	-			
		Sones	46	47	48	48	49	50	52	-	-	-	-	-			
9200	3129	RPM	1066	1086	1106	1125	-	-	-	-	-	-	-				
		BHP	6.9	7.13	7.36	7.6	-	-	-	-	-	-	-				
		Sones	49	50	51	52	-	-	-	-	-	-	-				



JencoFan, Div. of Soler & Palau Ventilation Group, certifies that the Models KSF shown herein are licensed to bear the AMCA Seal. The ratings shown are based on test and procedures performed in accordance with AMCA Publication 211 and AMCA Publication 311 and comply with the requirement of the AMCA Certified Ratings Program.



Performance certified is for installation type B: free inlet, ducted outlet. Power rating (BHP) does not include transmission losses. Performance ratings do not include the effects of appurtenances (accessories). The sound ratings shown are loudness values in fan sones at a distance of 1.5 m (5 ft) in a hemispherical free field calculated per AMCA International Standard 301. Values shown are for installation type B: ducted outlet hemispherical sone levels. Ratings do not include the effect of duct end correction.



KSF20

MODEL KSF	CFM	OV		Static Pressure in Inches w.g.										
				1/8	1/4	3/8	1/2	5/8	3/4	1	1 1/4	1 1/2	2	
20	2600	652	RPM	245	307	359	-	-	-	-	-	-	-	-
			BHP	0.14	0.23	0.32	-	-	-	-	-	-	-	-
			Sones	4.1	5.8	7.4	-	-	-	-	-	-	-	-
	3000	752	RPM	263	321	371	415	455	-	-	-	-	-	-
			BHP	0.19	0.28	0.38	0.49	0.59	-	-	-	-	-	-
			Sones	4.8	6.3	7.9	9.4	11.1	-	-	-	-	-	-
	3400	852	RPM	282	336	384	426	465	501	-	-	-	-	-
			BHP	0.25	0.35	0.46	0.57	0.69	0.81	-	-	-	-	-
			Sones	5.6	6.9	8.4	9.9	11.5	12.9	-	-	-	-	-
	3800	952	RPM	302	352	398	439	477	512	575	632	684	776	
			BHP	0.33	0.44	0.55	0.68	0.8	0.93	1.2	1.48	1.77	2.37	
			Sones	6.4	7.6	9.1	10.5	12.1	13.4	16.1	18.7	21	26	
	4600	1153	RPM	346	389	429	467	502	536	597	652	703	795	
			BHP	0.53	0.65	0.79	0.92	1.07	1.22	1.53	1.85	2.18	2.86	
			Sones	8.3	9.4	10.5	11.8	13.1	14.5	17.1	19.7	22	27	
	5000	1253	RPM	368	409	447	483	517	549	609	663	714	804	
			BHP	0.66	0.79	0.93	1.08	1.23	1.39	1.72	2.06	2.41	3.13	
			Sones	9.3	10.3	11.4	12.7	13.8	15.2	17.8	21	23	27	
	5400	1353	RPM	391	429	465	499	532	563	621	675	724	814	
			BHP	0.8	0.94	1.09	1.25	1.41	1.58	1.93	2.28	2.66	3.42	
Sones			10.4	11.3	12.4	13.5	14.6	15.7	18.4	21	23	28		
5800	1454	RPM	415	450	484	517	548	578	635	687	736	825		
		BHP	0.97	1.12	1.28	1.44	1.61	1.79	2.15	2.53	2.92	3.73		
		Sones	11.6	12.5	13.4	14.5	15.5	16.5	19.1	22	24	29		
6600	1654	RPM	462	494	525	555	583	611	664	714	760	847		
		BHP	1.39	1.55	1.72	1.9	2.09	2.28	2.68	3.1	3.53	4.41		
		Sones	14.1	14.9	15.7	16.7	17.6	18.6	21	23	25	30		
7000	1754	RPM	486	517	546	574	602	629	680	728	774	859		
		BHP	1.64	1.81	1.99	2.18	2.37	2.57	2.99	3.42	3.87	4.79		
		Sones	15.4	16.1	16.9	17.8	18.8	19.7	22	24	26	31		
7400	1855	RPM	511	539	567	595	621	647	696	743	788	871		
		BHP	1.91	2.09	2.28	2.48	2.68	2.89	3.32	3.77	4.23	5.19		
		Sones	16.7	17.5	18.2	19.1	19.9	21	23	25	27	31		
8200	2055	RPM	560	586	612	637	661	685	731	775	818	897		
		BHP	2.56	2.75	2.96	3.17	3.39	3.61	4.08	4.56	5.06	6.09		
		Sones	19.6	21	21	22	23	24	25	27	29	33		
8600	2155	RPM	585	610	634	658	682	705	749	792	834	912		
		BHP	2.93	3.13	3.35	3.57	3.79	4.03	4.51	5.01	5.52	6.59		
		Sones	21	22	23	23	24	25	27	28	30	34		
9200	2306	RPM	622	646	669	691	714	735	778	819	858	934		
		BHP	3.56	3.77	4	4.23	4.47	4.71	5.22	5.74	6.28	7.4		
		Sones	24	24	25	26	26	27	29	30	32	35		
9600	2406	RPM	647	670	692	714	735	756	797	837	876	949		
		BHP	4.02	4.25	4.48	4.72	4.97	5.22	5.74	6.28	6.83	7.99		
		Sones	26	26	27	27	28	29	30	32	33	36		
10000	2506	RPM	672	694	715	736	757	777	817	856	893	965		
		BHP	4.52	4.76	5	5.25	5.5	5.76	6.3	6.85	7.43	8.61		
		Sones	27	28	28	29	29	30	32	33	35	38		
10800	2707	RPM	722	743	763	782	802	821	858	895	930	999		
		BHP	5.66	5.91	6.17	6.43	6.7	6.98	7.55	8.13	8.74	9.99		
		Sones	30	31	32	32	33	34	35	36	38	41		
11200	2807	RPM	748	767	787	806	824	843	879	915	949	-		
		BHP	6.29	6.55	6.82	7.09	7.37	7.65	8.24	8.84	9.46	-		
		Sones	32	33	33	34	35	35	37	38	39	-		
11600	2907	RPM	773	792	811	829	847	865	901	935	-	-		
		BHP	6.97	7.24	7.51	7.79	8.08	8.37	8.97	9.59	-	-		
		Sones	34	35	35	36	36	37	39	40	-	-		
12000	3008	RPM	798	817	835	853	870	888	922	-	-	-		
		BHP	7.7	7.97	8.26	8.55	8.84	9.14	9.76	-	-	-		
		Sones	36	37	37	38	38	39	40	-	-	-		
12200	3058	RPM	811	829	847	865	882	899	-	-	-	-		
		BHP	8.08	8.36	8.65	8.94	9.24	9.54	-	-	-	-		
		Sones	37	38	38	39	40	40	-	-	-	-		



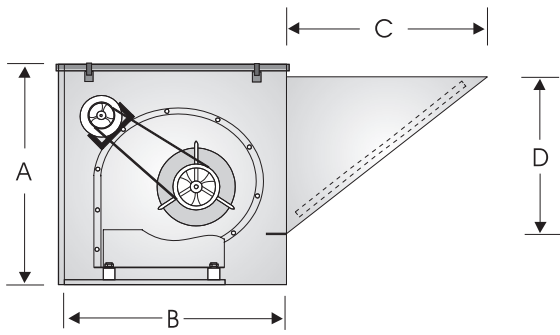
JencoFan, Div. of Soler & Palau Ventilation Group, certifies that the Models KSF shown herein are licensed to bear the AMCA Seal. The ratings shown are based on test and procedures performed in accordance with AMCA Publication 211 and AMCA Publication 311 and comply with the requirement of the AMCA Certified Ratings Program.



Performance certified is for installation type B: free inlet, ducted outlet. Power rating (BHP) does not include transmission losses. Performance ratings do not include the effects of appurtenances (accessories). The sound ratings shown are loudness values in fan sones at a distance of 1.5 m (5 ft) in a hemispherical free field calculated per AMCA International Standard 301. Values shown are for installation type B: ducted outlet hemispherical sone levels. Ratings do not include the effect of duct end correction.



DIMENSIONS



Model Size	Damper OD	Roof Opening	Curb OD	Curb Cap ID	A	B	C	D	Ship Wt
KSF 9	16	19-1/2	22-3/4	24	24-1/4	24-1/2	17-7/8	19	215
KSF 10	20	23-1/2	26-1/2	28	27-3/8	28-1/2	21-1/8	22-1/2	245
KSF 12	24	28	30-1/2	32	32-3/4	32-1/2	26-1/2	27-7/8	255
KSF 15	24	28	30-1/2	32	37-3/8	32-1/2	34-1/4	30-1/8	310
KSF 18	27	32	34-5/8	36	41-3/8	36-1/2	38-1/4	33-3/8	350
KSF 20	42	46-1/2	49	51	49-1/2	51-1/2	37-1/2	38-3/4	650

MODELS CSF & LSF

BELT DRIVE CENTRIFUGAL FILTERED SUPPLY FANS



**Model CSF
Hooded Design**



**Model LSF
Louvered Penthouse Design**

MODEL FEATURES

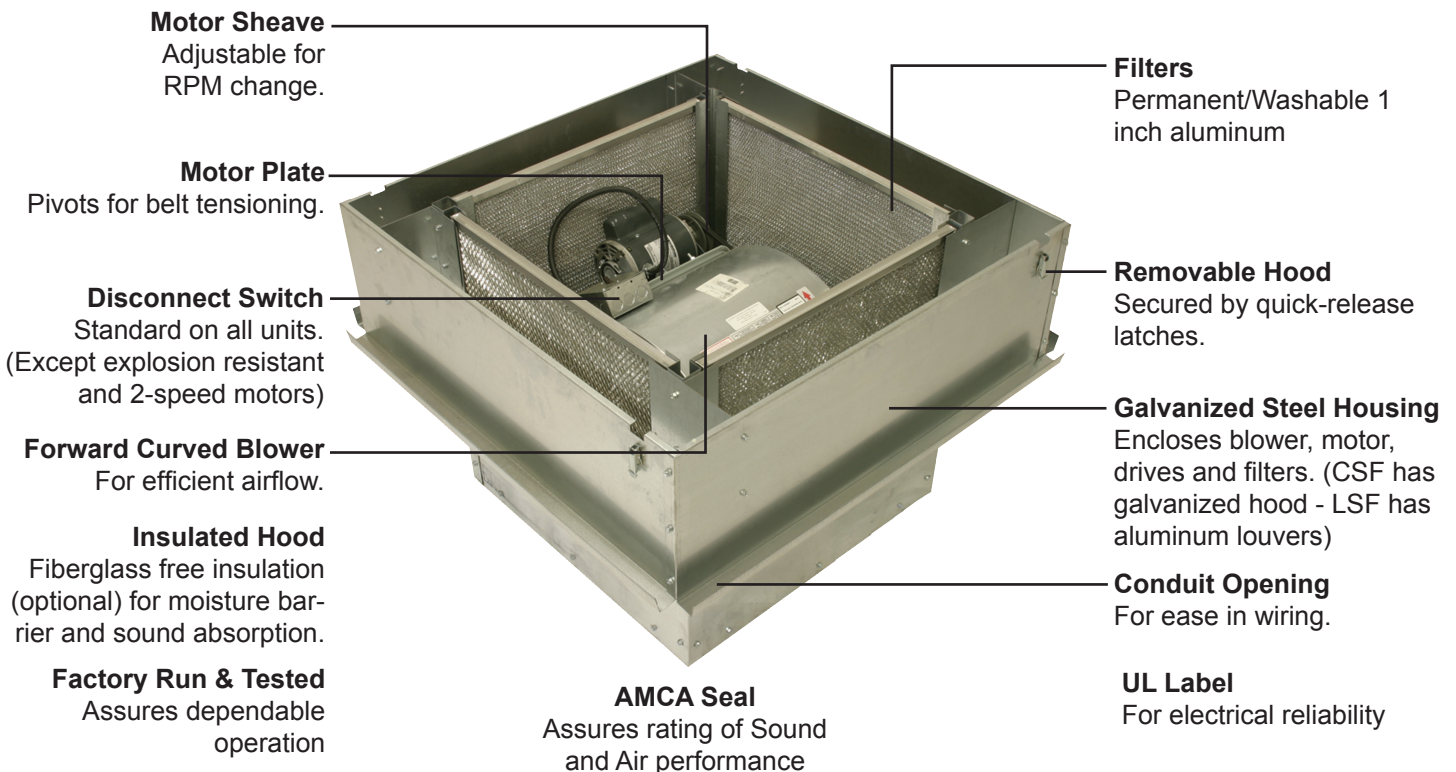
- Supply air to over 13,000 CFM in static pressure capabilities to 2" w.g.
- Heavy-galvanized construction
- Belt drives permit easy performance adjustments when needed
- Forward curved centrifugal blower for efficient air flow at low sound levels
- Filters are washable and reusable
- AMCA Air and Sound Licensed
- cULus 705 Listed

MODEL OVERVIEW

Models CSF and LSF units are roof mounted, filtered supply fans rated from 375 to over 13,000 CFM, with static pressure capabilities to 2". Model CSF's rugged, heavy-gauge galvanized hood and stack provide maximum weather protection and long life. Model LSF's architecturally pleasing, heavy-gauge aluminum louver design provides long life and the utmost in performance efficiency. All models are belt driven for easier performance adjustment and quieter operation. Adjustable motor pulleys further simplify fan speed changes.

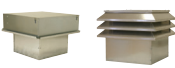
JencoFan's Centrifugal Filtered Supply Fans are used to replace exhausted fumes, vapors and gases with fresh, filtered make-up air in commercial and industrial applications such as manufacturing and assembly areas, kitchens, athletic clubs and many others.

CONSTRUCTION FEATURES AND OPTIONS



Industry best 5 year fan housing warranty, 1 year motor warranty

All specifications are subject to change without notice unless approved in submittal by JencoFan.



CONSTRUCTION/SPECIFICATION CHECKLIST

Blower/Housing

- Statically and dynamically balanced forward curved wheel.
- 12-gauge galvanized steel blower plate/discharge opening.
- Heavy-gauge galvanized steel housing.
- Prepunched mounting holes.
- Conduit opening for wiring from below unit.

Hooded/Louvered Top

- Heavy-gauge aluminum louvered design. (LSF)
- Heavy-gauge galvanized steel hood. (CSF)
- Quick-release latches for removal from housing.
- Insulated for sound absorption and moisture barrier.
- Oversized for weather protection.
- 1" washable aluminum mesh filters.
- Mitered cut and welded corners. (LSF)

Drives

- Adjustable motor pulleys are standard.
- Sized for minimum 150% of drive horsepower.
- Pivoting motor plate for belt tensioning.
- Non-static oil resistant V-belts.

Bearings

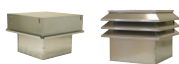
- Five year warranty.
- Heavy-duty ball bearing type.
- Prelubricated and permanently sealed.

Motors

- One year warranty.
- Brands are nationally recognized and locally serviced.
- Open drip-proof construction is standard.
- Disconnect switch standard with single speed drip-proof and totally enclosed motors.
- Optional motor enclosures and types can be specified.

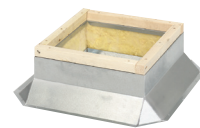
Certifications

- AMCA Air and Sound Licensed.
- cULus Standard 705 Listed Power Roof Ventilator label assures electrical reliability.
- cULus label must be specified when needed.



OPTIONS/ACCESSORIES

Roof Curb: Prefabricated heavy-gauge galvanized steel, welded construction, 12" high with 1-1/2" wood nailer. Options include burglar bars, single and double pitch construction, and additional curb heights.



Motor Operated Damper: Motor operated aluminum damper for positive closure against backdraft (counter balanced).



Automatic Damper: Automatic aluminum damper for ease in installation and effective backdraft protection (counter balanced).

Duct Adaptor: For ease in connecting discharge duct to fan outlet.

Side Discharge: For convenient connection to a supply duct when mounted on roof where the inside ceiling height is limited (CSF). Not available on CSF9.

Special Coatings: For protective and decorative purposes. Available coatings include: Epoxy, Synthetic Resin, and Heresite (air-dried phenolic). Contact your JencoFan representative or the factory for more information on available coatings and colors.



CSF PERFORMANCE

CSF 9

MODEL CSF	CFM	OV		Static Pressure in Inches w.g.						
				1/8	1/4	3/8	1/2	5/8	3/4	1
475	540	RPM	440	-	-	-	-	-	-	-
		BHP	0.03	-	-	-	-	-	-	-
		Sones	12.3	-	-	-	-	-	-	-
575	653	RPM	445	-	-	-	-	-	-	-
		BHP	0.04	-	-	-	-	-	-	-
		Sones	12.3	-	-	-	-	-	-	-
675	767	RPM	461	622	-	-	-	-	-	-
		BHP	0.05	0.09	-	-	-	-	-	-
		Sones	12.6	15.4	-	-	-	-	-	-
775	881	RPM	485	625	-	-	-	-	-	-
		BHP	0.07	0.1	-	-	-	-	-	-
		Sones	13.1	15.5	-	-	-	-	-	-
875	994	RPM	512	637	762	-	-	-	-	-
		BHP	0.08	0.12	0.18	-	-	-	-	-
		Sones	13.5	15.8	18.2	-	-	-	-	-
975	1108	RPM	544	656	768	880	-	-	-	-
		BHP	0.11	0.15	0.2	0.26	-	-	-	-
		Sones	13.9	16.3	18.3	21	-	-	-	-
1075	1222	RPM	578	680	781	883	984	-	-	-
		BHP	0.13	0.18	0.23	0.29	0.36	-	-	-
		Sones	14.3	16.9	18.7	21	23	-	-	-
1175	1335	RPM	613	706	800	892	986	-	-	-
		BHP	0.17	0.21	0.26	0.33	0.39	-	-	-
		Sones	14.9	17.6	19.3	21	23	-	-	-
1275	1449	RPM	650	735	823	907	993	1079	-	-
		BHP	0.2	0.25	0.31	0.37	0.44	0.51	-	-
		Sones	15.8	18.2	20	22	24	25	-	-
1375	1563	RPM	687	768	847	927	1006	1086	1244	-
		BHP	0.25	0.3	0.35	0.42	0.49	0.56	0.73	-
		Sones	16.8	19.1	21	22	24	26	30	-
1475	1676	RPM	726	801	875	951	1023	1097	1247	-
		BHP	0.29	0.35	0.41	0.47	0.54	0.62	0.79	-
		Sones	17.8	19.8	22	23	25	26	30	-
1575	1790	RPM	765	836	905	975	1045	1113	1253	-
		BHP	0.35	0.41	0.47	0.54	0.61	0.68	0.86	-
		Sones	19.2	21	23	24	25	27	30	-
1675	1903	RPM	804	872	937	1002	1069	1134	1263	-
		BHP	0.41	0.48	0.54	0.61	0.68	0.76	0.93	-
		Sones	20	22	24	25	26	27	31	-
1775	2017	RPM	844	908	970	1031	1093	1157	1278	-
		BHP	0.48	0.55	0.62	0.69	0.76	0.84	1.01	-
		Sones	22	23	24	26	27	28	32	-
1875	2131	RPM	884	946	1005	1063	1120	1181	-	-
		BHP	0.56	0.63	0.7	0.78	0.85	0.93	-	-
		Sones	23	24	26	27	28	29	-	-
1975	2244	RPM	925	984	1040	1095	1150	1205	-	-
		BHP	0.65	0.72	0.8	0.87	0.95	1.03	-	-
		Sones	25	26	27	28	29	30	-	-
2075	2358	RPM	966	1022	1076	1129	1181	-	-	-
		BHP	0.74	0.82	0.9	0.98	1.06	-	-	-
		Sones	26	27	28	29	30	-	-	-
2175	2472	RPM	1007	1061	1113	1163	-	-	-	-
		BHP	0.85	0.93	1.01	1.09	-	-	-	-
		Sones	27	29	29	30	-	-	-	-
2275	2585	RPM	1048	1100	-	-	-	-	-	-
		BHP	0.96	1.05	-	-	-	-	-	-
		Sones	29	30	-	-	-	-	-	-
2375	2699	RPM	1089	-	-	-	-	-	-	-
		BHP	1.09	-	-	-	-	-	-	-
		Sones	30	-	-	-	-	-	-	-

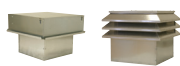
9



JencoFan, Div. of Soler & Palau Ventilation Group, certifies that the Model CSF shown herein are licensed to bear the AMCA Seal. The ratings shown are based on test and procedures performed in accordance with AMCA Publication 211 and AMCA Publication 311 and comply with the requirement of the AMCA Certified Ratings Program.



Performance certified is for installation type B: free inlet, ducted outlet. Power rating (BHP) does not include transmission losses. Performance ratings do not include the effects of appurtenances (accessories). The sound ratings shown are loudness values in fan sones at a distance of 1.5 m (5 ft) in a hemispherical free field calculated per AMCA International Standard 301. Values shown are for installation type B: ducted outlet hemispherical sone levels. Ratings do not include the effect of duct end correction.



CSF 10

MODEL CSF	CFM	OV		Static Pressure in Inches w.g.											
				1/8	1/4	3/8	1/2	5/8	3/4	1	1-1/4	1-1/2	2		
10	700	654	RPM	377	516	-	-	-	-	-	-	-	-	-	-
			BHP	0.04	0.07	-	-	-	-	-	-	-	-	-	-
			Sones	3.3	5.8	-	-	-	-	-	-	-	-	-	-
	825	771	RPM	393	521	-	-	-	-	-	-	-	-	-	-
			BHP	0.05	0.09	-	-	-	-	-	-	-	-	-	-
			Sones	3.9	5.9	-	-	-	-	-	-	-	-	-	-
	950	888	RPM	412	530	635	-	-	-	-	-	-	-	-	-
			BHP	0.07	0.1	0.14	-	-	-	-	-	-	-	-	-
			Sones	4.7	6.3	9.2	-	-	-	-	-	-	-	-	-
	1075	1005	RPM	436	543	642	733	-	-	-	-	-	-	-	-
			BHP	0.09	0.13	0.17	0.22	-	-	-	-	-	-	-	-
			Sones	5.7	7.1	9.6	12.6	-	-	-	-	-	-	-	-
	1200	1121	RPM	462	560	652	739	819	-	-	-	-	-	-	-
			BHP	0.11	0.15	0.2	0.25	0.3	-	-	-	-	-	-	-
			Sones	6.8	7.8	10.1	12.9	15.1	-	-	-	-	-	-	-
	1325	1238	RPM	491	580	666	748	825	898	-	-	-	-	-	-
			BHP	0.14	0.18	0.23	0.29	0.34	0.4	-	-	-	-	-	-
			Sones	7.9	8.7	11.1	13.3	15.3	17.5	-	-	-	-	-	-
	1450	1355	RPM	521	603	683	760	833	904	1034	-	-	-	-	-
			BHP	0.17	0.22	0.27	0.33	0.39	0.45	0.58	-	-	-	-	-
			Sones	9.3	9.8	11.9	13.9	15.8	17.8	22	-	-	-	-	-
	1575	1472	RPM	552	628	702	774	844	912	1039	1155	-	-	-	-
			BHP	0.21	0.26	0.32	0.38	0.44	0.5	0.64	0.79	-	-	-	-
			Sones	10.7	11.2	13.2	14.7	16.4	18.2	22	27	-	-	-	-
	1700	1589	RPM	584	655	724	792	858	923	1045	1159	1264	-	-	-
			BHP	0.26	0.31	0.37	0.43	0.5	0.56	0.71	0.86	1.02	-	-	-
			Sones	12.1	12.7	14.3	15.6	17.2	18.7	22	27	32	-	-	-
	1825	1706	RPM	616	683	748	812	875	936	1053	1164	1268	1457	-	-
			BHP	0.31	0.37	0.43	0.49	0.56	0.63	0.78	0.94	1.1	1.45	-	-
			Sones	13.5	14.4	15.5	16.7	17.9	19.5	23	28	33	43	-	-
1950	1822	RPM	650	712	773	834	893	951	1064	1171	1273	1460	-	-	
		BHP	0.37	0.43	0.5	0.56	0.63	0.71	0.86	1.02	1.19	1.55	-	-	
		Sones	15.1	16.1	16.8	17.9	19.1	20	23	28	33	43	-	-	
2075	1939	RPM	684	742	800	857	913	969	1077	1181	1279	-	-	-	
		BHP	0.44	0.5	0.57	0.64	0.71	0.79	0.95	1.12	1.29	-	-	-	
		Sones	16.7	17.6	18.2	19.1	20	21	24	29	34	-	-	-	
2200	2056	RPM	718	773	828	882	935	988	1092	1192	1288	-	-	-	
		BHP	0.51	0.58	0.65	0.73	0.8	0.88	1.04	1.22	1.4	-	-	-	
		Sones	18.6	19.1	19.6	21	21	22	25	30	34	-	-	-	
2325	2173	RPM	752	805	857	908	959	1009	1108	1205	1298	-	-	-	
		BHP	0.6	0.67	0.74	0.82	0.9	0.98	1.15	1.33	1.52	-	-	-	
		Sones	20	21	21	22	23	24	27	30	35	-	-	-	
2450	2290	RPM	787	837	887	936	984	1032	1127	1219	-	-	-	-	
		BHP	0.69	0.77	0.84	0.92	1	1.09	1.26	1.45	-	-	-	-	
		Sones	22	22	23	23	24	25	28	32	-	-	-	-	
2575	2407	RPM	822	870	917	964	1010	1056	1147	1236	-	-	-	-	
		BHP	0.8	0.87	0.95	1.04	1.12	1.21	1.39	1.58	-	-	-	-	
		Sones	23	24	24	25	25	27	29	33	-	-	-	-	
2700	2523	RPM	858	903	949	993	1037	1081	1168	-	-	-	-	-	
		BHP	0.91	0.99	1.08	1.16	1.25	1.34	1.52	-	-	-	-	-	
		Sones	25	26	26	27	27	28	31	-	-	-	-	-	
2825	2640	RPM	893	937	980	1023	1065	1107	-	-	-	-	-	-	
		BHP	1.03	1.12	1.21	1.3	1.39	1.48	-	-	-	-	-	-	
		Sones	27	27	28	28	29	30	-	-	-	-	-	-	
2950	2757	RPM	929	971	1012	1053	1094	-	-	-	-	-	-	-	
		BHP	1.17	1.26	1.35	1.44	1.53	-	-	-	-	-	-	-	
		Sones	28	29	29	30	31	-	-	-	-	-	-	-	
3075	2874	RPM	965	1005	1045	1084	-	-	-	-	-	-	-	-	
		BHP	1.32	1.41	1.5	1.6	-	-	-	-	-	-	-	-	
		Sones	30	31	31	32	-	-	-	-	-	-	-	-	
3200	2991	RPM	1001	1040	-	-	-	-	-	-	-	-	-	-	
		BHP	1.48	1.57	-	-	-	-	-	-	-	-	-	-	
		Sones	32	33	-	-	-	-	-	-	-	-	-	-	

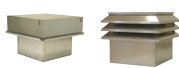


JencoFan, Div. of Soler & Palau Ventilation Group, certifies that the Model CSF shown herein are licensed to bear the AMCA Seal. The ratings shown are based on test and procedures performed in accordance with AMCA Publication 211 and AMCA Publication 311 and comply with the requirement of the AMCA Certified Ratings Program.



UL STANDARD 705

Performance certified is for installation type B: free inlet, ducted outlet. Power rating (BHP) does not include transmission losses. Performance ratings do not include the effects of appurtenances (accessories). The sound ratings shown are loudness values in fan sones at a distance of 1.5 m (5 ft) in a hemispherical free field calculated per AMCA International Standard 301. Values shown are for installation type B: ducted outlet hemispherical sone levels. Ratings do not include the effect of duct end correction.



CSF12

MODEL CSF	CFM	OV		Static Pressure in Inches w.g.											
				1/8	1/4	3/8	1/2	5/8	3/4	1	1-1/4	1-1/2	2		
12	1150	767	RPM	338	-	-	-	-	-	-	-	-	-	-	-
			BHP	0.08	-	-	-	-	-	-	-	-	-	-	-
			Sones	3.3	-	-	-	-	-	-	-	-	-	-	-
	1300	867	RPM	353	459	-	-	-	-	-	-	-	-	-	-
			BHP	0.1	0.14	-	-	-	-	-	-	-	-	-	-
			Sones	4.1	5.4	-	-	-	-	-	-	-	-	-	-
	1450	967	RPM	372	464	-	-	-	-	-	-	-	-	-	-
			BHP	0.12	0.17	-	-	-	-	-	-	-	-	-	-
			Sones	4.9	5.7	-	-	-	-	-	-	-	-	-	-
	1600	1067	RPM	394	475	563	-	-	-	-	-	-	-	-	-
			BHP	0.15	0.2	0.27	-	-	-	-	-	-	-	-	-
			Sones	6.2	6.3	7.9	-	-	-	-	-	-	-	-	-
	1750	1167	RPM	417	490	567	649	-	-	-	-	-	-	-	-
			BHP	0.19	0.24	0.3	0.38	-	-	-	-	-	-	-	-
			Sones	7.5	7.1	8.2	10.5	-	-	-	-	-	-	-	-
	1900	1267	RPM	441	507	577	651	-	-	-	-	-	-	-	-
			BHP	0.23	0.28	0.35	0.43	-	-	-	-	-	-	-	-
			Sones	8.5	8.1	8.7	10.7	-	-	-	-	-	-	-	-
	2050	1367	RPM	465	527	590	657	726	-	-	-	-	-	-	-
			BHP	0.28	0.34	0.4	0.48	0.57	-	-	-	-	-	-	-
			Sones	9.5	9.2	9.5	11.1	12.8	-	-	-	-	-	-	-
	2200	1467	RPM	491	548	606	667	730	795	-	-	-	-	-	-
			BHP	0.33	0.4	0.46	0.54	0.63	0.73	-	-	-	-	-	-
			Sones	10.6	10.5	10.5	11.8	13.1	14.9	-	-	-	-	-	-
	2350	1567	RPM	517	570	624	680	738	798	-	-	-	-	-	-
			BHP	0.4	0.46	0.53	0.61	0.7	0.79	-	-	-	-	-	-
			Sones	11.6	11.9	11.9	12.7	13.6	15.1	-	-	-	-	-	-
2500	1667	RPM	544	593	643	695	748	804	918	-	-	-	-	-	
		BHP	0.47	0.54	0.61	0.69	0.78	0.87	1.1	-	-	-	-	-	
		Sones	12.9	13.7	13.2	13.6	14.3	15.5	19.1	-	-	-	-	-	
2650	1767	RPM	570	617	664	712	762	813	919	1029	-	-	-	-	
		BHP	0.55	0.62	0.7	0.78	0.87	0.96	1.18	1.44	-	-	-	-	
		Sones	14.2	14.9	14.9	14.8	15.2	16.1	19.1	24	-	-	-	-	
2800	1867	RPM	597	642	686	731	778	825	924	1026	-	-	-	-	
		BHP	0.64	0.72	0.8	0.88	0.97	1.06	1.28	1.53	-	-	-	-	
		Sones	15.6	16.4	16.3	16.1	16.3	16.9	19.5	24	-	-	-	-	
2950	1967	RPM	625	667	709	752	795	839	932	1028	-	-	-	-	
		BHP	0.74	0.82	0.9	0.99	1.08	1.18	1.39	1.64	-	-	-	-	
		Sones	17.1	17.9	18.1	17.5	17.4	17.8	20	24	-	-	-	-	
3100	2067	RPM	652	693	733	773	814	855	942	1032	1124	-	-	-	
		BHP	0.85	0.93	1.02	1.11	1.2	1.3	1.52	1.76	2.04	-	-	-	
		Sones	18.6	19.2	19.7	19.1	18.9	19.1	21	24	28	-	-	-	
3250	2167	RPM	680	718	757	795	834	873	954	1039	-	-	-	-	
		BHP	0.97	1.06	1.15	1.24	1.34	1.44	1.65	1.9	-	-	-	-	
		Sones	20	20	21	21	21	20	22	25	-	-	-	-	
3400	2267	RPM	708	745	781	818	855	892	969	1048	-	-	-	-	
		BHP	1.1	1.19	1.29	1.38	1.48	1.58	1.8	2.05	-	-	-	-	
		Sones	21	22	22	23	22	22	23	25	-	-	-	-	
3550	2367	RPM	736	771	806	841	876	912	984	-	-	-	-	-	
		BHP	1.24	1.34	1.44	1.54	1.64	1.74	1.97	-	-	-	-	-	
		Sones	23	24	24	25	24	24	25	-	-	-	-	-	
3700	2467	RPM	764	798	832	865	899	933	1002	-	-	-	-	-	
		BHP	1.4	1.5	1.6	1.71	1.81	1.92	2.14	-	-	-	-	-	
		Sones	25	25	25	26	26	25	26	-	-	-	-	-	
3850	2567	RPM	792	825	857	890	922	954	-	-	-	-	-	-	
		BHP	1.57	1.67	1.78	1.89	2	2.1	-	-	-	-	-	-	
		Sones	26	26	27	27	27	26	-	-	-	-	-	-	
4000	2667	RPM	820	852	883	914	-	-	-	-	-	-	-	-	
		BHP	1.75	1.86	1.97	2.08	-	-	-	-	-	-	-	-	
		Sones	27	28	28	29	-	-	-	-	-	-	-	-	
4150	2767	RPM	849	879	-	-	-	-	-	-	-	-	-	-	
		BHP	1.94	2.06	-	-	-	-	-	-	-	-	-	-	
		Sones	28	29	-	-	-	-	-	-	-	-	-	-	



JencoFan, Div. of Soler & Palau Ventilation Group, certifies that the Model CSF shown herein are licensed to bear the AMCA Seal. The ratings shown are based on test and procedures performed in accordance with AMCA Publication 211 and AMCA Publication 311 and comply with the requirement of the AMCA Certified Ratings Program.



UL STANDARD 705

Performance certified is for installation type B: free inlet, ducted outlet. Power rating (BHP) does not include transmission losses. Performance ratings do not include the effects of appurtenances (accessories). The sound ratings shown are loudness values in fan sones at a distance of 1.5 m (5 ft) in a hemispherical free field calculated per AMCA International Standard 301. Values shown are for installation type B: ducted outlet hemispherical sone levels. Ratings do not include the effect of duct end correction.



CSF 15

MODEL CSF	CFM	OV		Static Pressure in Inches w.g.											
				1/8	1/4	3/8	1/2	5/8	3/4	1	1-1/4	1-1/2	2		
15	1625	763	RPM	285	-	-	-	-	-	-	-	-	-	-	-
			BHP	0.1	-	-	-	-	-	-	-	-	-	-	-
			Sones	3.6	-	-	-	-	-	-	-	-	-	-	-
	1825	857	RPM	296	389	-	-	-	-	-	-	-	-	-	-
			BHP	0.12	0.2	-	-	-	-	-	-	-	-	-	-
			Sones	4.1	6.4	-	-	-	-	-	-	-	-	-	-
	2125	998	RPM	319	398	475	-	-	-	-	-	-	-	-	-
			BHP	0.17	0.25	0.34	-	-	-	-	-	-	-	-	-
			Sones	4.9	6.8	9.1	-	-	-	-	-	-	-	-	-
	2325	1092	RPM	337	403	479	548	-	-	-	-	-	-	-	-
			BHP	0.22	0.29	0.38	0.49	-	-	-	-	-	-	-	-
			Sones	5.9	7.1	9.2	11.6	-	-	-	-	-	-	-	-
	2625	1232	RPM	367	421	488	550	-	-	-	-	-	-	-	-
			BHP	0.29	0.36	0.46	0.57	-	-	-	-	-	-	-	-
			Sones	7.2	7.9	9.8	11.7	-	-	-	-	-	-	-	-
2825	1326	RPM	388	436	493	559	614	-	-	-	-	-	-	-	
		BHP	0.36	0.43	0.52	0.63	0.75	-	-	-	-	-	-	-	
		Sones	8.2	8.6	10.1	12.3	14.2	-	-	-	-	-	-	-	
3125	1467	RPM	420	462	510	566	624	673	-	-	-	-	-	-	
		BHP	0.47	0.54	0.63	0.74	0.87	1	-	-	-	-	-	-	
		Sones	9.7	9.9	10.9	12.6	14.8	16.9	-	-	-	-	-	-	
3325	1561	RPM	442	481	524	572	629	680	775	-	-	-	-	-	
		BHP	0.55	0.63	0.72	0.83	0.95	1.09	1.39	-	-	-	-	-	
		Sones	10.8	11.1	11.7	13.1	15.2	17.5	21	-	-	-	-	-	
3625	1702	RPM	476	510	548	590	637	688	777	-	-	-	-	-	
		BHP	0.7	0.78	0.87	0.98	1.11	1.24	1.55	-	-	-	-	-	
		Sones	12.6	12.6	13.1	14.2	15.7	18.1	22	-	-	-	-	-	
3825	1796	RPM	499	531	566	604	646	693	782	867	-	-	-	-	
		BHP	0.82	0.9	0.99	1.1	1.22	1.36	1.67	2.02	-	-	-	-	
		Sones	13.8	13.9	14.3	15.1	16.3	18.4	22	26	-	-	-	-	
4125	1937	RPM	534	562	594	628	665	704	793	869	-	-	-	-	
		BHP	1.01	1.1	1.19	1.3	1.42	1.56	1.87	2.22	-	-	-	-	
		Sones	15.6	15.7	16.1	16.7	17.8	19.2	23	26	-	-	-	-	
4325	2031	RPM	557	584	613	645	679	715	798	877	951	-	-	-	
		BHP	1.16	1.25	1.34	1.45	1.58	1.71	2.02	2.37	2.76	-	-	-	
		Sones	16.9	17.1	17.3	17.8	18.9	19.8	23	26	29	-	-	-	
4625	2171	RPM	593	617	644	672	703	735	807	887	957	-	-	-	
		BHP	1.4	1.49	1.6	1.71	1.83	1.97	2.27	2.62	3.01	-	-	-	
		Sones	19.1	19.3	19.4	19.9	21	22	24	27	30	-	-	-	
4825	2265	RPM	616	640	664	691	720	750	816	892	964	-	-	-	
		BHP	1.59	1.68	1.78	1.9	2.02	2.16	2.46	2.81	3.2	-	-	-	
		Sones	21	21	21	22	22	23	25	27	31	-	-	-	
5125	2406	RPM	652	673	697	721	747	775	834	898	-	-	-	-	
		BHP	1.89	1.99	2.09	2.21	2.33	2.47	2.78	3.12	-	-	-	-	
		Sones	23	24	24	24	24	25	26	28	-	-	-	-	
5325	2500	RPM	676	696	718	742	766	792	848	-	-	-	-	-	
		BHP	2.11	2.21	2.32	2.44	2.57	2.7	3.01	-	-	-	-	-	
		Sones	25	25	25	25	25	26	27	-	-	-	-	-	
5625	2641	RPM	712	731	751	773	796	820	-	-	-	-	-	-	
		BHP	2.48	2.58	2.69	2.81	2.94	3.08	-	-	-	-	-	-	
		Sones	27	27	27	27	27	28	-	-	-	-	-	-	
5825	2735	RPM	736	754	774	794	-	-	-	-	-	-	-	-	
		BHP	2.74	2.85	2.97	3.09	-	-	-	-	-	-	-	-	
		Sones	28	29	28	29	-	-	-	-	-	-	-	-	
6125	2876	RPM	772	789	-	-	-	-	-	-	-	-	-	-	
		BHP	3.17	3.29	-	-	-	-	-	-	-	-	-	-	
		Sones	31	32	-	-	-	-	-	-	-	-	-	-	

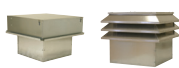


JencoFan, Div. of Soler & Palau Ventilation Group, certifies that the Model CSF shown herein are licensed to bear the AMCA Seal. The ratings shown are based on test and procedures performed in accordance with AMCA Publication 211 and AMCA Publication 311 and comply with the requirement of the AMCA Certified Ratings Program.



UL STANDARD 705

Performance certified is for installation type B: free inlet, ducted outlet. Power rating (BHP) does not include transmission losses. Performance ratings do not include the effects of appurtenances (accessories). The sound ratings shown are loudness values in fan zones at a distance of 1.5 m (5 ft) in a hemispherical free field calculated per AMCA International Standard 301. Values shown are for installation type B: ducted outlet hemispherical zone levels. Ratings do not include the effect of duct end correction.



CSF18

MODEL CSF	CFM	OV		Static Pressure in Inches w.g.																		
				1/8	1/4	3/8	1/2	5/8	3/4	1	1-1/4	1-1/2	2									
18	2250	765	RPM	253	-	-	-	-	-	-	-	-	-	-	-	-	-	-	-	-	-	
			BHP	0.14	-	-	-	-	-	-	-	-	-	-	-	-	-	-	-	-	-	-
			Sones	2.1	-	-	-	-	-	-	-	-	-	-	-	-	-	-	-	-	-	-
	2600	884	RPM	269	336	-	-	-	-	-	-	-	-	-	-	-	-	-	-	-	-	
			BHP	0.18	0.26	-	-	-	-	-	-	-	-	-	-	-	-	-	-	-	-	-
			Sones	2.8	3.4	-	-	-	-	-	-	-	-	-	-	-	-	-	-	-	-	-
	2950	1003	RPM	283	346	404	459	509	-	-	-	-	-	-	-	-	-	-	-	-	-	
			BHP	0.23	0.32	0.42	0.54	0.66	-	-	-	-	-	-	-	-	-	-	-	-	-	-
			Sones	3.5	3.9	4.7	5.9	7.1	-	-	-	-	-	-	-	-	-	-	-	-	-	-
	3300	1122	RPM	302	359	413	465	513	558	-	-	-	-	-	-	-	-	-	-	-	-	
			BHP	0.3	0.4	0.5	0.62	0.75	0.89	-	-	-	-	-	-	-	-	-	-	-	-	-
			Sones	4.4	4.5	5.2	6.3	7.3	8.7	-	-	-	-	-	-	-	-	-	-	-	-	-
	3650	1241	RPM	323	375	426	473	519	563	643	716	-	-	-	-	-	-	-	-	-	-	
			BHP	0.38	0.49	0.6	0.72	0.86	1	1.31	1.65	-	-	-	-	-	-	-	-	-	-	-
			Sones	5.5	5.4	6.1	6.7	7.7	9.1	12.4	14.5	-	-	-	-	-	-	-	-	-	-	-
	4000	1361	RPM	344	392	438	483	527	568	647	719	-	-	-	-	-	-	-	-	-	-	
			BHP	0.48	0.59	0.71	0.84	0.98	1.13	1.45	1.79	-	-	-	-	-	-	-	-	-	-	-
			Sones	6.8	6.3	6.7	7.3	8.2	9.4	12.6	14.7	-	-	-	-	-	-	-	-	-	-	-
	4350	1480	RPM	365	410	453	497	536	576	652	722	787	-	-	-	-	-	-	-	-	-	
			BHP	0.6	0.72	0.84	0.98	1.12	1.27	1.6	1.96	2.34	-	-	-	-	-	-	-	-	-	-
			Sones	7.9	7.4	7.6	8.2	8.9	10.1	13.1	14.9	16.7	-	-	-	-	-	-	-	-	-	-
	4700	1599	RPM	387	429	470	509	550	586	658	726	790	-	-	-	-	-	-	-	-	-	
			BHP	0.73	0.86	1	1.14	1.28	1.44	1.78	2.15	2.54	-	-	-	-	-	-	-	-	-	-
			Sones	9.7	8.6	8.7	9.1	9.9	11.1	13.4	15.3	17.2	-	-	-	-	-	-	-	-	-	-
	5050	1718	RPM	410	450	488	525	563	597	666	732	794	909	-	-	-	-	-	-	-	-	
			BHP	0.88	1.02	1.17	1.31	1.47	1.63	1.98	2.35	2.76	3.63	-	-	-	-	-	-	-	-	-
			Sones	12.1	10.2	10.1	10.4	11.2	11.9	14.1	15.8	17.6	21	-	-	-	-	-	-	-	-	-
5400	1837	RPM	433	470	506	541	576	611	675	739	799	912	-	-	-	-	-	-	-	-		
		BHP	1.06	1.21	1.36	1.52	1.68	1.84	2.2	2.58	3	3.89	-	-	-	-	-	-	-	-	-	
		Sones	14.6	12.1	11.7	11.8	12.3	13.3	14.7	16.3	17.9	22	-	-	-	-	-	-	-	-	-	
5750	1956	RPM	456	492	526	559	591	624	686	747	806	916	-	-	-	-	-	-	-	-		
		BHP	1.25	1.42	1.58	1.74	1.91	2.08	2.45	2.84	3.26	4.17	-	-	-	-	-	-	-	-	-	
		Sones	17.7	13.9	13.5	13.4	13.7	14.5	15.6	16.9	18.5	22	-	-	-	-	-	-	-	-	-	
6100	2075	RPM	479	513	546	577	608	639	701	757	813	921	-	-	-	-	-	-	-	-		
		BHP	1.47	1.65	1.82	1.99	2.17	2.35	2.72	3.13	3.56	4.48	-	-	-	-	-	-	-	-	-	
		Sones	21	16.1	15.5	15.1	15.3	15.8	16.7	17.7	19.1	22	-	-	-	-	-	-	-	-	-	
6450	2194	RPM	503	535	566	596	626	655	714	768	822	927	-	-	-	-	-	-	-	-		
		BHP	1.72	1.91	2.09	2.27	2.45	2.64	3.03	3.44	3.88	4.83	-	-	-	-	-	-	-	-	-	
		Sones	24	18.7	17.3	16.8	16.9	17.1	17.8	18.6	19.7	23	-	-	-	-	-	-	-	-	-	
6800	2313	RPM	527	558	587	616	644	672	727	782	833	934	-	-	-	-	-	-	-	-		
		BHP	1.99	2.19	2.38	2.57	2.76	2.96	3.36	3.79	4.23	5.2	-	-	-	-	-	-	-	-	-	
		Sones	26	21	19.1	18.6	18.8	18.4	18.9	19.7	21	23	-	-	-	-	-	-	-	-	-	
7150	2432	RPM	551	580	609	636	663	690	742	794	844	942	-	-	-	-	-	-	-	-		
		BHP	2.3	2.5	2.7	2.9	3.11	3.31	3.73	4.16	4.62	5.6	-	-	-	-	-	-	-	-	-	
		Sones	28	24	21	21	20	19.9	20	21	22	24	-	-	-	-	-	-	-	-	-	
7500	2551	RPM	575	603	630	657	683	709	759	808	859	951	-	-	-	-	-	-	-	-		
		BHP	2.63	2.85	3.06	3.27	3.48	3.69	4.12	4.57	5.04	6.04	-	-	-	-	-	-	-	-	-	
		Sones	30	27	23	22	22	22	22	22	22	23	25	-	-	-	-	-	-	-	-	
7850	2670	RPM	599	626	652	678	703	728	776	824	871	961	-	-	-	-	-	-	-	-		
		BHP	2.99	3.22	3.44	3.66	3.88	4.1	4.55	5.01	5.5	6.52	-	-	-	-	-	-	-	-	-	
		Sones	32	29	25	24	24	24	24	24	24	25	26	-	-	-	-	-	-	-	-	
8200	2789	RPM	623	649	675	699	723	747	794	840	885	973	-	-	-	-	-	-	-	-		
		BHP	3.38	3.63	3.86	4.09	4.32	4.55	5.02	5.49	5.99	7.03	-	-	-	-	-	-	-	-	-	
		Sones	34	32	27	26	25	25	25	25	25	26	27	-	-	-	-	-	-	-	-	

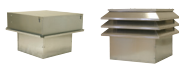


JencoFan, Div. of Soler & Palau Ventilation Group, certifies that the Model CSF shown herein are licensed to bear the AMCA Seal. The ratings shown are based on test and procedures performed in accordance with AMCA Publication 211 and AMCA Publication 311 and comply with the requirement of the AMCA Certified Ratings Program.



UL STANDARD 705

Performance certified is for installation type B: free inlet, ducted outlet. Power rating (BHP) does not include transmission losses. Performance ratings do not include the effects of appurtenances (accessories). The sound ratings shown are loudness values in fan sones at a distance of 1.5 m (5 ft) in a hemispherical free field calculated per AMCA International Standard 301. Values shown are for installation type B: ducted outlet hemispherical sone levels. Ratings do not include the effect of duct end correction.



CSF18 Cont.

MODEL CSF	CFM	OV		Static Pressure in Inches w.g.									
				1/8	1/4	3/8	1/2	5/8	3/4	1	1-1/4	1-1/2	2
18	8550	2908	RPM	647	673	697	721	744	767	812	856	900	987
			BHP	3.81	4.07	4.31	4.55	4.79	5.03	5.51	6.01	6.51	7.58
			Sones	36	35	30	28	27	27	27	27	27	28
	8900	3027	RPM	672	696	720	743	766	788	831	874	916	-
			BHP	4.28	4.54	4.8	5.05	5.3	5.55	6.05	6.56	7.08	-
			Sones	39	39	34	30	29	29	29	29	29	-
	9250	3146	RPM	696	720	743	765	787	808	851	892	933	-
			BHP	4.78	5.06	5.33	5.59	5.85	6.11	6.63	7.15	7.69	-
			Sones	41	42	37	33	31	31	31	31	31	-
	9600	3265	RPM	721	744	766	788	809	829	870	910	-	-
			BHP	5.32	5.61	5.89	6.16	6.43	6.7	7.24	7.78	-	-
			Sones	44	45	41	37	34	34	34	34	-	-
	9950	3384	RPM	745	768	789	810	831	851	-	-	-	-
			BHP	5.9	6.2	6.49	6.78	7.06	7.34	-	-	-	-
				48	49	45	41	37	36	-	-	-	-
	10300	3503	RPM	771	796	819	840	862	-	-	-	-	-
			BHP	6.5	6.9	7.2	7.5	7.8	-	-	-	-	-
			Sones	52	53	51	46	42	-	-	-	-	-
	10650	3622	RPM	796	820	842	-	-	-	-	-	-	-
			BHP	7.3	7.6	7.8	-	-	-	-	-	-	-
			Sones	56	57	56	-	-	-	-	-	-	-

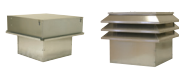


JencoFan, Div. of Soler & Palau Ventilation Group, certifies that the Model CSF shown herein are licensed to bear the AMCA Seal. The ratings shown are based on test and procedures performed in accordance with AMCA Publication 211 and AMCA Publication 311 and comply with the requirement of the AMCA Certified Ratings Program.



UL STANDARD 705

Performance certified is for installation type B: free inlet, ducted outlet. Power rating (BHP) does not include transmission losses. Performance ratings do not include the effects of appurtenances (accessories). The sound ratings shown are loudness values in fan sones at a distance of 1.5 m (5 ft) in a hemispherical free field calculated per AMCA International Standard 301. Values shown are for installation type B: ducted outlet hemispherical sone levels. Ratings do not include the effect of duct end correction.



CSF20

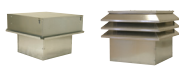
MODEL CSF	CFM	OV		Static Pressure in Inches w.g.											
				1/8	1/4	3/8	1/2	5/8	3/4	1	1-1/4	1-1/2	2		
20	2800	698	RPM	223	288	342	-	-	-	-	-	-	-	-	-
			BHP	0.16	0.25	0.35	-	-	-	-	-	-	-	-	-
			Sones	3.7	5.4	7.6	-	-	-	-	-	-	-	-	-
	3340	833	RPM	241	299	351	397	-	-	-	-	-	-	-	-
			BHP	0.22	0.32	0.44	0.56	-	-	-	-	-	-	-	-
			Sones	4.8	6.2	8.5	10.8	-	-	-	-	-	-	-	-
	3880	968	RPM	262	313	361	405	-	-	-	-	-	-	-	-
			BHP	0.31	0.42	0.55	0.68	-	-	-	-	-	-	-	-
			Sones	6.1	7.2	9.3	11.7	-	-	-	-	-	-	-	-
	4420	1102	RPM	285	331	375	416	455	-	-	-	-	-	-	-
			BHP	0.42	0.55	0.68	0.83	0.98	-	-	-	-	-	-	-
			Sones	7.6	8.6	10.6	12.9	14.8	-	-	-	-	-	-	-
	4960	1237	RPM	310	350	390	429	465	500	-	-	-	-	-	-
			BHP	0.57	0.7	0.84	1	1.16	1.33	-	-	-	-	-	-
			Sones	9.3	10.3	12.1	14.3	15.8	17.3	-	-	-	-	-	-
	5500	1372	RPM	335	372	408	444	478	511	-	-	-	-	-	-
			BHP	0.74	0.88	1.03	1.2	1.37	1.55	-	-	-	-	-	-
			Sones	11.3	12.4	13.9	15.7	16.9	18.4	-	-	-	-	-	-
	6040	1506	RPM	361	394	428	461	493	524	-	-	-	-	-	-
			BHP	0.96	1.1	1.26	1.44	1.62	1.81	-	-	-	-	-	-
Sones			13.9	14.8	16.3	17.3	18.4	19.6	-	-	-	-	-	-	
6580	1641	RPM	388	418	449	479	510	539	596	649	-	-	-	-	
		BHP	1.21	1.36	1.53	1.71	1.91	2.11	2.53	2.98	-	-	-	-	
		Sones	16.8	17.5	18.4	19.1	20	21	24	27	-	-	-	-	
7120	1776	RPM	415	443	471	499	527	557	609	661	709	800	-	-	
		BHP	1.51	1.67	1.85	2.04	2.24	2.45	2.89	3.36	3.85	4.85	-	-	
		Sones	19.8	20	20	21	22	23	25	28	32	40	-	-	
7660	1910	RPM	442	468	494	521	547	573	624	673	721	809	-	-	
		BHP	1.85	2.02	2.21	2.4	2.61	2.83	3.3	3.79	4.29	5.36	-	-	
		Sones	22	22	22	23	24	25	27	30	34	42	-	-	
8200	2045	RPM	470	494	518	543	568	592	641	687	733	819	-	-	
		BHP	2.25	2.43	2.62	2.82	3.04	3.27	3.75	4.26	4.79	5.9	-	-	
		Sones	25	25	25	26	26	27	29	32	35	43	-	-	
8740	2180	RPM	497	520	543	566	589	612	658	703	746	830	-	-	
		BHP	2.7	2.88	3.09	3.3	3.52	3.76	4.26	4.78	5.33	6.49	-	-	
		Sones	27	28	28	28	28	29	31	34	37	45	-	-	
9280	2314	RPM	525	547	568	590	612	634	677	719	761	842	-	-	
		BHP	3.2	3.4	3.61	3.83	4.06	4.31	4.82	5.36	5.93	7.13	-	-	
		Sones	30	31	30	31	31	32	34	36	40	47	-	-	
9820	2449	RPM	554	574	594	615	635	656	697	737	777	855	-	-	
		BHP	3.77	3.98	4.2	4.43	4.67	4.92	5.45	6.01	6.6	7.84	-	-	
		Sones	33	34	33	33	34	34	37	39	42	50	-	-	
10360	2584	RPM	582	601	620	640	659	678	717	756	795	-	-	-	
		BHP	4.41	4.62	4.85	5.09	5.33	5.59	6.14	6.71	7.32	-	-	-	
		Sones	35	37	37	36	37	37	40	42	45	-	-	-	
10900	2718	RPM	610	628	647	665	683	702	739	776	-	-	-	-	
		BHP	5.11	5.33	5.57	5.81	6.07	6.34	6.9	7.49	-	-	-	-	
		Sones	38	39	39	39	40	41	43	46	-	-	-	-	
11440	2853	RPM	639	656	673	691	708	726	761	-	-	-	-	-	
		BHP	5.88	6.12	6.36	6.62	6.88	7.16	7.73	-	-	-	-	-	
		Sones	41	43	43	44	44	45	47	-	-	-	-	-	
11980	2988	RPM	667	684	700	717	734	-	-	-	-	-	-	-	
		BHP	6.73	6.97	7.23	7.49	7.77	-	-	-	-	-	-	-	
		Sones	45	47	48	48	49	-	-	-	-	-	-	-	
12520	3122	RPM	696	-	-	-	-	-	-	-	-	-	-	-	
		BHP	7.66	-	-	-	-	-	-	-	-	-	-	-	
		Sones	50	-	-	-	-	-	-	-	-	-	-	-	



JencoFan, Div. of Soler & Palau Ventilation Group, certifies that the Model CSF shown herein are licensed to bear the AMCA Seal. The ratings shown are based on test and procedures performed in accordance with AMCA Publication 211 and AMCA Publication 311 and comply with the requirement of the AMCA Certified Ratings Program.



Performance certified is for installation type B: free inlet, ducted outlet. Power rating (BHP) does not include transmission losses. Performance ratings do not include the effects of appurtenances (accessories). The sound ratings shown are loudness values in fan sones at a distance of 1.5 m (5 ft) in a hemispherical free field calculated per AMCA International Standard 301. Values shown are for installation type B: ducted outlet hemispherical sone levels. Ratings do not include the effect of duct end correction.



LSF PERFORMANCE

LSF 9

MODEL LSF	CFM	OV		Static Pressure in Inches w.g.							
				1/8	1/4	3/8	1/2	5/8	3/4	1	
9	475	540	RPM	431	-	-	-	-	-	-	-
			BHP	0.03	-	-	-	-	-	-	-
			Sones	4.1	-	-	-	-	-	-	-
	575	653	RPM	437	-	-	-	-	-	-	-
			BHP	0.04	-	-	-	-	-	-	-
			Sones	4.3	-	-	-	-	-	-	-
	675	767	RPM	455	-	-	-	-	-	-	-
			BHP	0.05	-	-	-	-	-	-	-
			Sones	4.9	-	-	-	-	-	-	-
	775	881	RPM	480	614	-	-	-	-	-	-
			BHP	0.06	0.1	-	-	-	-	-	-
			Sones	5.8	10.3	-	-	-	-	-	-
	875	994	RPM	509	628	-	-	-	-	-	-
			BHP	0.08	0.12	-	-	-	-	-	-
			Sones	6.9	11	-	-	-	-	-	-
	975	1108	RPM	540	647	755	-	-	-	-	-
			BHP	0.1	0.14	0.19	-	-	-	-	-
			Sones	8.3	11.9	15.2	-	-	-	-	-
	1075	1222	RPM	574	672	769	867	-	-	-	-
			BHP	0.13	0.17	0.22	0.27	-	-	-	-
			Sones	9.8	13	15.7	18.9	-	-	-	-
	1175	1335	RPM	610	700	789	878	-	-	-	-
			BHP	0.16	0.2	0.25	0.31	-	-	-	-
			Sones	11.7	14	16.4	19.3	-	-	-	-
	1275	1449	RPM	646	731	814	894	976	-	-	-
			BHP	0.2	0.24	0.29	0.35	0.41	-	-	-
			Sones	13.7	15.3	17.4	20	25	-	-	-
1375	1563	RPM	683	763	840	915	991	1067	-	-	
		BHP	0.24	0.29	0.34	0.4	0.46	0.53	-	-	
		Sones	15.3	16.7	18.5	22	26	32	-	-	
1475	1676	RPM	721	796	868	939	1009	1080	1223		
		BHP	0.29	0.34	0.39	0.45	0.52	0.59	0.75		
		Sones	16.8	18.1	19.7	23	28	33	48		
1575	1790	RPM	759	832	899	965	1031	1098	1231		
		BHP	0.34	0.4	0.46	0.52	0.58	0.65	0.81		
		Sones	18.4	19.8	21	25	29	35	49		
1675	1903	RPM	797	867	931	994	1056	1118	1243		
		BHP	0.41	0.47	0.52	0.59	0.65	0.72	0.88		
		Sones	20	22	24	27	32	36	50		
1775	2017	RPM	837	903	965	1024	1084	1142	1259		
		BHP	0.48	0.54	0.6	0.66	0.73	0.81	0.96		
		Sones	22	24	26	30	34	39	52		
1875	2131	RPM	876	940	999	1056	1112	1168	1279		
		BHP	0.55	0.62	0.68	0.75	0.82	0.9	1.06		
		Sones	24	26	29	33	37	42	55		
1975	2244	RPM	915	978	1034	1089	1142	1195	-		
		BHP	0.64	0.71	0.78	0.85	0.92	0.99	-		
		Sones	26	29	32	36	40	45	-		
2075	2358	RPM	955	1015	1070	1123	1174	1224	-		
		BHP	0.73	0.81	0.88	0.95	1.03	1.1	-		
		Sones	29	32	36	40	44	49	-		
2175	2472	RPM	995	1053	1107	1157	-	-	-		
		BHP	0.84	0.91	0.99	1.07	-	-	-		
		Sones	33	36	39	44	-	-	-		
2275	2585	RPM	1035	1092	-	-	-	-	-		
		BHP	0.95	1.03	-	-	-	-	-		
		Sones	36	40	-	-	-	-	-		
2375	2699	RPM	1075	-	-	-	-	-	-		
		BHP	1.07	-	-	-	-	-	-		
		Sones	40	-	-	-	-	-	-		

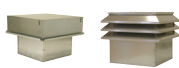


JencoFan, Div. of Soler & Palau Ventilation Group, certifies that the Model LSF shown herein are licensed to bear the AMCA Seal. The ratings shown are based on test and procedures performed in accordance with AMCA Publication 211 and AMCA Publication 311 and comply with the requirement of the AMCA Certified Ratings Program.



UL STANDARD 705

Performance certified is for installation type B: free inlet, ducted outlet. Power rating (BHP) does not include transmission losses. Performance ratings do not include the effects of appurtenances (accessories). The sound ratings shown are loudness values in fan sones at a distance of 1.5 m (5 ft) in a hemispherical free field calculated per AMCA International Standard 301. Values shown are for installation type B: ducted outlet hemispherical sone levels. Ratings do not include the effect of duct end correction.



LSF 10

MODEL LSF	CFM	OV		Static Pressure in Inches w.g.									
				1/8	1/4	3/8	1/2	5/8	3/4	1	1-1/4	1-1/2	
10	950	888	RPM	421	-	-	-	-	-	-	-	-	-
			BHP	0.07	-	-	-	-	-	-	-	-	-
			Sones	5.5	-	-	-	-	-	-	-	-	-
	1075	1005	RPM	444	-	-	-	-	-	-	-	-	-
			BHP	0.09	-	-	-	-	-	-	-	-	-
			Sones	6.3	-	-	-	-	-	-	-	-	-
	1200	1121	RPM	470	572	-	-	-	-	-	-	-	-
			BHP	0.11	0.16	-	-	-	-	-	-	-	-
			Sones	7.2	10.3	-	-	-	-	-	-	-	-
	1325	1238	RPM	498	592	682	-	-	-	-	-	-	-
			BHP	0.14	0.19	0.25	-	-	-	-	-	-	-
			Sones	8.3	11.4	14.5	-	-	-	-	-	-	-
	1450	1355	RPM	528	615	698	-	-	-	-	-	-	-
			BHP	0.18	0.23	0.29	-	-	-	-	-	-	-
			Sones	9.6	12.6	15.1	-	-	-	-	-	-	-
	1575	1472	RPM	559	639	717	793	866	-	-	-	-	-
			BHP	0.22	0.28	0.34	0.4	0.47	-	-	-	-	-
			Sones	11	13.9	16.2	18.3	22	-	-	-	-	-
	1700	1589	RPM	591	666	739	810	879	947	1074	-	-	-
			BHP	0.27	0.33	0.39	0.46	0.53	0.61	0.78	-	-	-
			Sones	12.5	15.1	17.1	19.2	23	24	31	-	-	-
	1825	1706	RPM	623	694	762	829	895	959	1082	1196	-	-
			BHP	0.32	0.39	0.45	0.52	0.6	0.68	0.85	1.04	-	-
			Sones	14.3	16.4	18.3	20	23	25	31	38	-	-
	1950	1822	RPM	657	723	787	851	913	974	1092	1203	1308	-
			BHP	0.39	0.45	0.52	0.59	0.67	0.75	0.93	1.13	1.33	-
			Sones	15.7	17.9	19.5	21	24	26	32	38	45	-
	2075	1939	RPM	691	753	814	874	933	991	1104	1212	1315	-
			BHP	0.46	0.52	0.6	0.67	0.75	0.83	1.02	1.22	1.43	-
			Sones	17	19.5	21	22	25	27	33	39	46	-
	2200	2056	RPM	725	784	841	898	954	1010	1118	1223	1323	-
			BHP	0.54	0.61	0.68	0.76	0.84	0.93	1.11	1.32	1.53	-
			Sones	18.5	21	22	24	26	28	34	40	46	-
	2325	2173	RPM	759	815	870	924	978	1030	1134	1235	-	-
			BHP	0.63	0.7	0.78	0.86	0.94	1.03	1.22	1.43	-	-
			Sones	20	22	24	25	28	29	35	41	-	-
	2450	2290	RPM	794	847	900	951	1002	1053	1152	1249	-	-
			BHP	0.72	0.8	0.88	0.96	1.05	1.14	1.34	1.55	-	-
			Sones	22	24	25	27	30	31	36	42	-	-
	2575	2407	RPM	829	880	930	979	1028	1076	1172	-	-	-
			BHP	0.83	0.91	1	1.08	1.17	1.27	1.46	-	-	-
			Sones	25	26	27	28	31	33	38	-	-	-
	2700	2523	RPM	865	913	961	1008	1055	1101	-	-	-	-
			BHP	0.95	1.03	1.12	1.21	1.3	1.4	-	-	-	-
			Sones	26	27	29	30	33	34	-	-	-	-
	2825	2640	RPM	900	947	993	1038	1083	1127	-	-	-	-
			BHP	1.08	1.17	1.26	1.35	1.45	1.55	-	-	-	-
			Sones	28	29	31	32	35	36	-	-	-	-
	2950	2757	RPM	936	981	1025	1068	-	-	-	-	-	-
			BHP	1.22	1.31	1.41	1.5	-	-	-	-	-	-
			Sones	30	31	33	34	-	-	-	-	-	-
	3075	2874	RPM	972	1015	1057	-	-	-	-	-	-	-
			BHP	1.37	1.47	1.57	-	-	-	-	-	-	-
			Sones	32	33	35	-	-	-	-	-	-	-
	3200	2991	RPM	1008	-	-	-	-	-	-	-	-	-
			BHP	1.54	-	-	-	-	-	-	-	-	-
			Sones	34	-	-	-	-	-	-	-	-	-

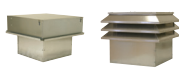


JencoFan, Div. of Soler & Palau Ventilation Group, certifies that the Model LSF shown herein are licensed to bear the AMCA Seal. The ratings shown are based on test and procedures performed in accordance with AMCA Publication 211 and AMCA Publication 311 and comply with the requirement of the AMCA Certified Ratings Program.



UL STANDARD 705

Performance certified is for installation type B: free inlet, ducted outlet. Power rating (BHP) does not include transmission losses. Performance ratings do not include the effects of appurtenances (accessories). The sound ratings shown are loudness values in fan sones at a distance of 1.5 m (5 ft) in a hemispherical free field calculated per AMCA International Standard 301. Values shown are for installation type B: ducted outlet hemispherical sone levels. Ratings do not include the effect of duct end correction.



LSF 12

MODEL LSF	CFM	OV		Static Pressure in Inches w.g.								
				1/8	1/4	3/8	1/2	5/8	3/4	1	1-1/4	
12	1450	967	RPM	391	478	575	-	-	-	-	-	-
			BHP	0.14	0.2	0.28	-	-	-	-	-	-
			Sones	6.4	8	11.1	-	-	-	-	-	-
	1600	1067	RPM	414	492	576	-	-	-	-	-	-
			BHP	0.18	0.24	0.31	-	-	-	-	-	-
			Sones	7.5	8.6	11.2	-	-	-	-	-	-
	1750	1167	RPM	439	510	583	663	-	-	-	-	-
			BHP	0.22	0.28	0.36	0.46	-	-	-	-	-
			Sones	8.6	9.4	11.6	14.1	-	-	-	-	-
	1900	1267	RPM	465	530	596	667	742	-	-	-	-
			BHP	0.27	0.33	0.41	0.5	0.62	-	-	-	-
			Sones	9.8	10.5	12.4	14.5	16.8	-	-	-	-
	2050	1367	RPM	491	552	613	676	743	-	-	-	-
			BHP	0.33	0.4	0.47	0.56	0.67	-	-	-	-
			Sones	11.2	11.7	13.1	14.9	16.9	-	-	-	-
	2200	1467	RPM	518	576	632	689	749	813	-	-	-
			BHP	0.4	0.47	0.54	0.63	0.74	0.86	-	-	-
			Sones	12.7	13.1	13.9	15.3	17.2	20	-	-	-
	2350	1567	RPM	545	600	652	705	760	818	-	-	-
			BHP	0.47	0.55	0.63	0.72	0.82	0.94	-	-	-
			Sones	13.9	14.5	15.1	16.2	17.7	20	-	-	-
	2500	1667	RPM	573	625	675	724	775	827	938	-	-
			BHP	0.56	0.64	0.72	0.81	0.91	1.03	1.3	-	-
			Sones	15.4	15.7	16.2	17.3	18.6	21	26	-	-
	2650	1767	RPM	601	651	698	744	791	840	941	-	-
			BHP	0.65	0.74	0.82	0.92	1.02	1.13	1.39	-	-
			Sones	16.8	17.3	17.7	18.6	20	22	26	-	-
	2800	1867	RPM	629	677	722	766	810	855	949	1049	-
			BHP	0.76	0.85	0.94	1.04	1.14	1.25	1.51	1.82	-
			Sones	18.1	18.9	19.2	20	21	22	27	31	-
	2950	1967	RPM	657	703	747	789	830	873	960	1052	-
			BHP	0.87	0.97	1.07	1.17	1.27	1.38	1.63	1.94	-
			Sones	19.4	20	20	21	22	23	27	32	-
	3100	2067	RPM	685	730	772	812	852	892	973	1059	-
			BHP	1	1.11	1.21	1.31	1.42	1.53	1.78	2.07	-
			Sones	21	22	22	23	23	25	28	32	-
3250	2167	RPM	714	758	798	836	874	912	989	-	-	
		BHP	1.14	1.25	1.36	1.47	1.58	1.69	1.94	-	-	
		Sones	22	23	24	24	25	26	29	-	-	
3400	2267	RPM	742	785	824	861	898	934	-	-	-	
		BHP	1.3	1.42	1.53	1.64	1.75	1.87	-	-	-	
		Sones	24	25	25	26	26	27	-	-	-	
3550	2367	RPM	771	813	850	886	921	956	-	-	-	
		BHP	1.47	1.59	1.71	1.82	1.94	2.06	-	-	-	
		Sones	25	26	27	27	28	29	-	-	-	
3700	2467	RPM	800	840	877	912	-	-	-	-	-	
		BHP	1.65	1.78	1.9	2.02	-	-	-	-	-	
		Sones	27	28	28	28	-	-	-	-	-	
3850	2567	RPM	829	868	904	-	-	-	-	-	-	
		BHP	1.85	1.98	2.11	-	-	-	-	-	-	
		Sones	28	29	30	-	-	-	-	-	-	
4000	2667	RPM	858	-	-	-	-	-	-	-	-	
		BHP	2.06	-	-	-	-	-	-	-	-	
		Sones	30	-	-	-	-	-	-	-	-	



JencoFan, Div. of Soler & Palau Ventilation Group, certifies that the Model LSF shown herein are licensed to bear the AMCA Seal. The ratings shown are based on test and procedures performed in accordance with AMCA Publication 211 and AMCA Publication 311 and comply with the requirement of the AMCA Certified Ratings Program.



UL STANDARD 705

Performance certified is for installation type B: free inlet, ducted outlet. Power rating (BHP) does not include transmission losses. Performance ratings do not include the effects of appurtenances (accessories). The sound ratings shown are loudness values in fan sones at a distance of 1.5 m (5 ft) in a hemispherical free field calculated per AMCA International Standard 301. Values shown are for installation type B: ducted outlet hemispherical sone levels. Ratings do not include the effect of duct end correction.



LSF 15

MODEL LSF	CFM	OV		Static Pressure in Inches w.g.										
				1/8	1/4	3/8	1/2	5/8	3/4	1	1-1/4	1-1/2		
15	1625	763	RPM	293	-	-	-	-	-	-	-	-	-	-
			BHP	0.1	-	-	-	-	-	-	-	-	-	-
			Sones	4.5	-	-	-	-	-	-	-	-	-	-
	1825	857	RPM	305	390	-	-	-	-	-	-	-	-	-
			BHP	0.13	0.19	-	-	-	-	-	-	-	-	-
			Sones	5.1	6.8	-	-	-	-	-	-	-	-	-
	2125	998	RPM	330	403	475	-	-	-	-	-	-	-	-
			BHP	0.18	0.25	0.33	-	-	-	-	-	-	-	-
			Sones	6.3	7.6	9.6	-	-	-	-	-	-	-	-
	2325	1092	RPM	348	416	480	547	-	-	-	-	-	-	-
			BHP	0.22	0.29	0.37	0.47	-	-	-	-	-	-	-
			Sones	7.2	8.2	9.8	11.7	-	-	-	-	-	-	-
	2625	1232	RPM	377	434	495	552	612	-	-	-	-	-	-
			BHP	0.3	0.37	0.46	0.55	0.67	-	-	-	-	-	-
			Sones	8.7	9.3	10.5	12.1	14.1	-	-	-	-	-	-
	2825	1326	RPM	397	451	508	559	615	670	-	-	-	-	-
			BHP	0.36	0.43	0.53	0.62	0.73	0.86	-	-	-	-	-
			Sones	9.6	10.2	11.3	12.4	14.3	16.4	-	-	-	-	-
	3125	1467	RPM	428	477	525	578	624	674	-	-	-	-	-
			BHP	0.47	0.55	0.64	0.74	0.85	0.97	-	-	-	-	-
			Sones	11.4	11.6	12.4	13.8	14.9	16.8	-	-	-	-	-
	3325	1561	RPM	449	495	541	590	634	680	-	-	-	-	-
			BHP	0.55	0.64	0.73	0.84	0.94	1.07	-	-	-	-	-
			Sones	12.7	12.8	13.4	14.6	15.7	17.1	-	-	-	-	-
3625	1702	RPM	482	524	566	608	655	694	779	-	-	-	-	
		BHP	0.7	0.79	0.89	0.99	1.11	1.23	1.51	-	-	-	-	
		Sones	14.4	14.6	14.9	15.7	17.1	18.2	21	-	-	-	-	
3825	1796	RPM	504	544	584	623	666	707	785	866	-	-	-	
		BHP	0.81	0.91	1.01	1.11	1.23	1.36	1.63	1.95	-	-	-	
		Sones	15.7	15.7	16.1	16.6	18.1	19.3	22	25	-	-	-	
4125	1937	RPM	537	575	612	648	685	726	797	873	948	-	-	
		BHP	1	1.1	1.21	1.32	1.44	1.57	1.85	2.16	2.52	-	-	
		Sones	17.7	17.9	18.2	18.4	19.2	20	23	26	29	-	-	
4325	2031	RPM	559	595	631	666	701	737	810	879	951	-	-	
		BHP	1.14	1.25	1.36	1.48	1.6	1.73	2.01	2.32	2.67	-	-	
		Sones	19.3	19.2	19.1	19.6	21	21	24	26	29	-	-	
4625	2171	RPM	593	627	660	693	726	759	830	892	959	-	-	
		BHP	1.37	1.49	1.61	1.73	1.86	1.99	2.28	2.59	2.94	-	-	
		Sones	20	21	21	22	22	23	25	27	30	-	-	
4825	2265	RPM	616	649	681	712	743	775	841	905	966	-	-	
		BHP	1.55	1.67	1.8	1.92	2.05	2.19	2.48	2.79	3.14	-	-	
		Sones	23	23	23	23	24	24	26	28	30	-	-	
5125	2406	RPM	650	681	711	741	771	800	860	925	-	-	-	
		BHP	1.84	1.97	2.1	2.23	2.37	2.51	2.81	3.13	-	-	-	
		Sones	25	25	25	25	26	26	27	29	-	-	-	
5325	2500	RPM	673	703	732	761	789	818	875	-	-	-	-	
		BHP	2.05	2.19	2.32	2.46	2.6	2.74	3.05	-	-	-	-	
		Sones	27	27	27	27	27	27	28	-	-	-	-	
5625	2641	RPM	707	736	764	791	818	845	-	-	-	-	-	
		BHP	2.4	2.54	2.69	2.83	2.98	3.13	-	-	-	-	-	
		Sones	29	29	29	29	29	29	-	-	-	-	-	
5825	2735	RPM	730	758	785	812	-	-	-	-	-	-	-	
		BHP	2.65	2.8	2.95	3.1	-	-	-	-	-	-	-	
		Sones	31	31	31	31	-	-	-	-	-	-	-	
6125	2876	RPM	765	-	-	-	-	-	-	-	-	-	-	
		BHP	3.07	-	-	-	-	-	-	-	-	-	-	
			Sones	33	-	-	-	-	-	-	-	-	-	

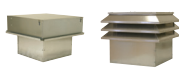


JencoFan, Div. of Soler & Palau Ventilation Group, certifies that the Model LSF shown herein are licensed to bear the AMCA Seal. The ratings shown are based on test and procedures performed in accordance with AMCA Publication 211 and AMCA Publication 311 and comply with the requirement of the AMCA Certified Ratings Program.



UL STANDARD 705

Performance certified is for installation type B: free inlet, ducted outlet. Power rating (BHP) does not include transmission losses. Performance ratings do not include the effects of appurtenances (accessories). The sound ratings shown are loudness values in fan sones at a distance of 1.5 m (5 ft) in a hemispherical free field calculated per AMCA International Standard 301. Values shown are for installation type B: ducted outlet hemispherical sone levels. Ratings do not include the effect of duct end correction.



LSF 18

MODEL LSF	CFM	OV		Static Pressure in Inches w.g.										
				1/8	1/4	3/8	1/2	5/8	3/4	1	1-1/4	1-1/2	2	
2250	765	RPM	253	-	-	-	-	-	-	-	-	-	-	-
		BHP	0.13	-	-	-	-	-	-	-	-	-	-	-
		Sones	4.2	-	-	-	-	-	-	-	-	-	-	-
2600	884	RPM	269	336	-	-	-	-	-	-	-	-	-	-
		BHP	0.17	0.25	-	-	-	-	-	-	-	-	-	-
		Sones	5.3	8.3	-	-	-	-	-	-	-	-	-	-
2950	1003	RPM	287	348	404	-	-	-	-	-	-	-	-	-
		BHP	0.23	0.31	0.41	-	-	-	-	-	-	-	-	-
		Sones	6.3	6.9	8	-	-	-	-	-	-	-	-	-
3300	1122	RPM	306	362	415	-	-	-	-	-	-	-	-	-
		BHP	0.3	0.39	0.49	-	-	-	-	-	-	-	-	-
		Sones	7.5	8	8.8	-	-	-	-	-	-	-	-	-
3650	1241	RPM	326	379	427	474	-	-	-	-	-	-	-	-
		BHP	0.38	0.48	0.59	0.7	-	-	-	-	-	-	-	-
		Sones	8.6	9.3	9.8	10.8	-	-	-	-	-	-	-	-
4000	1361	RPM	347	396	442	485	527	-	-	-	-	-	-	-
		BHP	0.48	0.59	0.7	0.82	0.95	-	-	-	-	-	-	-
		Sones	9.8	10.4	11.1	11.7	12.8	-	-	-	-	-	-	-
4350	1480	RPM	369	415	458	499	538	-	-	-	-	-	-	-
		BHP	0.59	0.71	0.83	0.96	1.09	-	-	-	-	-	-	-
		Sones	11.1	11.7	12.4	12.9	13.7	-	-	-	-	-	-	-
4700	1599	RPM	391	435	475	514	551	588	657	-	-	-	-	-
		BHP	0.72	0.85	0.99	1.12	1.26	1.4	1.7	-	-	-	-	-
		Sones	12.3	13.1	13.7	14.4	14.9	15.8	17.9	-	-	-	-	-
5050	1718	RPM	414	455	493	530	565	600	667	730	-	-	-	-
		BHP	0.87	1.02	1.16	1.3	1.45	1.59	1.91	2.24	-	-	-	-
		Sones	13.7	14.6	15	15.8	16.3	17.1	19.1	21	-	-	-	-
5400	1837	RPM	437	476	512	547	581	614	678	739	797	-	-	-
		BHP	1.04	1.2	1.35	1.5	1.65	1.81	2.14	2.48	2.84	-	-	-
		Sones	14.9	16	16.7	17.3	17.9	18.5	20	22	24	-	-	-
5750	1956	RPM	460	497	532	565	597	629	690	749	805	912	-	-
		BHP	1.24	1.4	1.57	1.73	1.89	2.05	2.39	2.75	3.12	3.9	-	-
		Sones	16.6	17.5	18	18.7	19.6	20	21	23	25	29	-	-
6100	2075	RPM	483	519	552	584	615	645	703	760	814	918	-	-
		BHP	1.45	1.63	1.81	1.98	2.15	2.32	2.67	3.04	3.43	4.23	-	-
		Sones	18	19.1	20	20	21	22	23	24	26	30	-	-
6450	2194	RPM	506	541	573	603	633	662	718	772	825	925	-	-
		BHP	1.69	1.89	2.07	2.25	2.43	2.61	2.98	3.36	3.76	4.59	-	-
		Sones	19.7	21	21	22	23	23	24	25	27	31	-	-
6800	2313	RPM	530	563	594	623	652	680	733	786	836	934	-	-
		BHP	1.96	2.17	2.36	2.55	2.74	2.93	3.32	3.71	4.12	4.98	-	-
		Sones	21	22	23	24	24	25	26	27	28	31	-	-
7150	2432	RPM	554	586	615	644	671	698	750	800	849	943	-	-
		BHP	2.26	2.47	2.68	2.88	3.08	3.28	3.68	4.1	4.52	5.4	-	-
		Sones	23	24	25	26	26	26	28	28	30	32	-	-
7500	2551	RPM	577	608	637	665	691	717	767	815	863	954	-	-
		BHP	2.58	2.81	3.03	3.24	3.45	3.66	4.08	4.51	4.95	5.86	-	-
		Sones	25	25	26	27	28	28	29	30	31	34	-	-
7850	2670	RPM	601	631	659	686	711	736	785	831	877	966	-	-
		BHP	2.93	3.18	3.41	3.63	3.86	4.07	4.51	4.96	5.41	6.35	-	-
		Sones	26	27	28	29	29	30	31	32	33	35	-	-
8200	2789	RPM	625	654	681	707	732	756	803	848	892	978	-	-
		BHP	3.32	3.58	3.82	4.06	4.29	4.52	4.98	5.44	5.9	6.87	-	-
		Sones	28	29	30	30	31	32	32	33	34	37	-	-
8550	2908	RPM	650	678	704	729	753	776	822	866	908	992	-	-
		BHP	3.74	4.01	4.27	4.51	4.76	5	5.47	5.95	6.44	7.43	-	-
		Sones	30	31	32	32	33	33	34	35	36	38	-	-
8900	3027	RPM	674	701	727	751	774	797	841	884	925	-	-	-
		BHP	4.19	4.48	4.75	5.01	5.26	5.51	6.01	6.5	7.01	-	-	-
		Sones	32	33	34	34	35	36	36	37	38	-	-	-
9250	3146	RPM	698	725	749	773	796	818	861	902	942	-	-	-
		BHP	4.68	4.98	5.26	5.53	5.8	6.06	6.58	7.09	7.61	-	-	-
		Sones	34	35	35	36	37	37	38	39	40	-	-	-
9600	3265	RPM	723	748	772	795	817	839	881	921	-	-	-	-
		BHP	5.21	5.52	5.82	6.1	6.38	6.65	7.19	7.72	-	-	-	-
		Sones	36	37	37	38	39	39	40	41	-	-	-	-
9950	3384	RPM	747	772	795	818	839	860	901	-	-	-	-	-
		BHP	5.78	6.1	6.41	6.71	7	7.28	7.84	-	-	-	-	-
		Sones	38	39	39	40	40	41	43	-	-	-	-	-
10300	3503	RPM	771	796	819	840	862	-	-	-	-	-	-	-
		BHP	6.38	6.72	7.04	7.35	7.65	-	-	-	-	-	-	-
		Sones	40	40	41	42	43	-	-	-	-	-	-	-
10650	3622	RPM	796	820	842	-	-	-	-	-	-	-	-	-
		BHP	7.03	7.38	7.72	-	-	-	-	-	-	-	-	-
		Sones	42	43	44	-	-	-	-	-	-	-	-	-

18

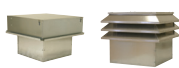


JencoFan, Div. of Soler & Palau Ventilation Group, certifies that the Model LSF shown herein are licensed to bear the AMCA Seal. The ratings shown are based on test and procedures performed in accordance with AMCA Publication 211 and AMCA Publication 311 and comply with the requirement of the AMCA Certified Ratings Program.



UL STANDARD 705

Performance certified is for installation type B: free inlet, ducted outlet. Power rating (BHP) does not include transmission losses. Performance ratings do not include the effects of appurtenances (accessories). The sound ratings shown are loudness values in fan sones at a distance of 1.5 m (5 ft) in a hemispherical free field calculated per AMCA International Standard 301. Values shown are for installation type B: ducted outlet hemispherical sone levels. Ratings do not include the effect of duct end correction.



LSF 20

MODEL LSF	CFM	OV		Static Pressure in Inches w.g.												
				1/8	1/4	3/8	1/2	5/8	3/4	1	1-1/4	1-1/2	2			
20	2800	698	RPM	222	-	-	-	-	-	-	-	-	-	-	-	-
			BHP	0.15	-	-	-	-	-	-	-	-	-	-	-	-
			Sones	3.5	-	-	-	-	-	-	-	-	-	-	-	-
	3340	833	RPM	239	297	350	-	-	-	-	-	-	-	-	-	
			BHP	0.21	0.31	0.42	-	-	-	-	-	-	-	-	-	
			Sones	4.6	5.8	7.2	-	-	-	-	-	-	-	-	-	
	3880	968	RPM	259	312	359	405	-	-	-	-	-	-	-		
			BHP	0.3	0.4	0.53	0.66	-	-	-	-	-	-	-		
			Sones	5.8	6.8	7.8	9.3	-	-	-	-	-	-	-		
	4420	1102	RPM	282	328	372	414	454	-	-	-	-	-	-		
			BHP	0.41	0.52	0.65	0.79	0.94	-	-	-	-	-	-		
			Sones	7.1	7.8	8.8	10	11.9	-	-	-	-	-	-		
	4960	1237	RPM	306	346	388	425	463	499	-	-	-	-	-		
			BHP	0.55	0.67	0.8	0.95	1.11	1.28	-	-	-	-	-		
			Sones	8.6	8.9	9.9	10.9	12.7	14.6	-	-	-	-	-		
	5500	1372	RPM	332	367	405	441	475	509	572	-	-	-	-		
			BHP	0.72	0.84	0.99	1.15	1.31	1.49	1.86	-	-	-	-		
			Sones	10.1	10.3	11.2	12.5	13.9	15.7	19	-	-	-	-		
	6040	1506	RPM	358	390	423	457	490	520	581	638	-	-	-		
			BHP	0.93	1.06	1.21	1.37	1.55	1.74	2.13	2.54	-	-	-		
Sones			11.8	11.9	12.6	13.9	15.5	16.8	19.7	22	-	-	-			
6580	1641	RPM	384	414	443	474	506	535	592	647	699	-				
		BHP	1.17	1.31	1.47	1.64	1.82	2.02	2.43	2.86	3.31	-				
		Sones	13.6	13.8	14.3	15.5	16.9	18.4	21	23	26	-				
7120	1776	RPM	412	438	466	493	523	552	604	657	707	800				
		BHP	1.46	1.61	1.77	1.95	2.14	2.34	2.77	3.22	3.7	4.68				
		Sones	15.9	15.7	16.2	17.1	18.6	20	22	24	26	32				
7660	1910	RPM	439	464	489	514	540	568	620	669	717	808				
		BHP	1.8	1.95	2.12	2.3	2.5	2.71	3.15	3.62	4.12	5.16				
		Sones	18.5	18.1	18.3	19.3	20	22	24	25	27	33				
8200	2045	RPM	467	489	513	537	561	585	637	682	728	816				
		BHP	2.19	2.35	2.52	2.71	2.91	3.12	3.58	4.07	4.59	5.67				
		Sones	21	21	21	22	22	23	25	26	28	34				
8740	2180	RPM	495	516	538	560	582	605	653	699	741	826				
		BHP	2.62	2.79	2.97	3.17	3.38	3.59	4.06	4.57	5.1	6.23				
		Sones	24	24	24	24	24	25	26	28	30	35				
9280	2314	RPM	523	542	563	584	605	626	670	715	756	837				
		BHP	3.12	3.3	3.48	3.69	3.9	4.12	4.61	5.12	5.67	6.84				
		Sones	28	27	26	26	26	26	28	30	32	36				
9820	2449	RPM	551	569	589	608	628	648	688	731	773	849				
		BHP	3.68	3.86	4.05	4.26	4.48	4.71	5.21	5.74	6.3	7.5				
		Sones	30	29	29	28	28	28	29	31	34	38				
10360	2584	RPM	579	597	615	633	652	671	709	748	789	-				
		BHP	4.3	4.49	4.69	4.9	5.13	5.37	5.87	6.42	6.99	-				
		Sones	33	32	31	31	30	30	31	33	35	-				
10900	2718	RPM	607	624	641	659	676	694	730	767	805	-				
		BHP	4.98	5.18	5.39	5.61	5.85	6.09	6.61	7.16	7.75	-				
		Sones	36	35	34	33	33	33	33	35	37	-				
11440	2853	RPM	636	652	668	685	701	718	752	-	-	-				
		BHP	5.74	5.95	6.16	6.39	6.63	6.88	7.41	-	-	-				
		Sones	39	37	36	36	35	35	35	-	-	-				
11980	2988	RPM	664	680	695	711	727	743	-	-	-	-				
		BHP	6.57	6.79	7.01	7.25	7.49	7.75	-	-	-	-				
		Sones	42	40	39	39	38	38	-	-	-	-				
12520	3122	RPM	693	708	-	-	-	-	-	-	-	-				
		BHP	7.48	7.7	-	-	-	-	-	-	-	-				
		Sones	45	43	-	-	-	-	-	-	-	-				



JencoFan, Div. of Soler & Palau Ventilation Group, certifies that the Model LSF shown herein are licensed to bear the AMCA Seal. The ratings shown are based on test and procedures performed in accordance with AMCA Publication 211 and AMCA Publication 311 and comply with the requirement of the AMCA Certified Ratings Program.

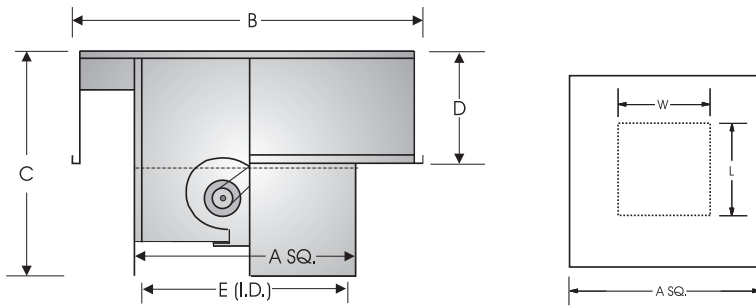


UL STANDARD 705

Performance certified is for installation type B: free inlet, ducted outlet. Power rating (BHP) does not include transmission losses. Performance ratings do not include the effects of appurtenances (accessories). The sound ratings shown are loudness values in fan sones at a distance of 1.5 m (5 ft) in a hemispherical free field calculated per AMCA International Standard 301. Values shown are for installation type B: ducted outlet hemispherical sone levels. Ratings do not include the effect of duct end correction.

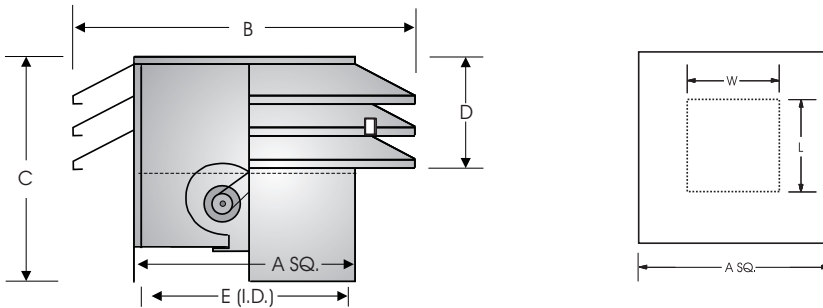


DIMENSIONS



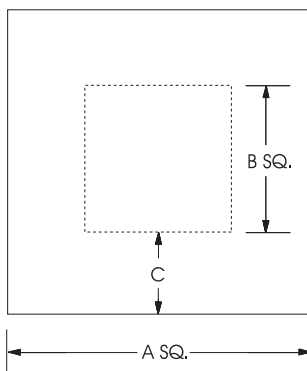
CSF Discharge Opening

Model Size	A Housing OD	B Overall Width	C Overall Height	D Intake Height	Roof Opening	E Curb Cap ID	Damper OD	Discharge Opening	Filter Size/No.	No. Tiers	Avg. Ship Weight (lbs.)
CSF-9	24 -1/2	37-1/2	23-1/2	16	19-1/2	24 X 24	16	12 X 10-1/2	16 X 20 X 1 (4)	N/A	265
CSF-10	28-1/2	43	23-1/2	16	23-1/2	28 X 28	20	13-1/4 X 11-5/8	16 X 25 X 1 (4)	N/A	290
CSF-12	28-1/2	43	30-1/2	16	23-1/2	28 X 28	20	15-7/8 X 13-5/8	16 X 25 X 1 (4)	N/A	340
CSF-15	32-1/2	50-1/2	32	16	27-1/2	32 X 32	24	18-7/8 X 16-1/4	16 X 25 X 1 (4)	N/A	380
CSF-18	36-1/2	56-1/2	38-1/2	22	31-3/8	36 X 36	27	22-1/4 X 19	20 X 25 X 1 (4)	N/A	540
CSF-20	51-1/4	74-1/2	46-3/4	26	46	51 X 51	42	23-1/8 X 25	20 X 25 X 1 (8)	N/A	890



LSF Discharge Opening

Model Size	A Housing OD	B Overall Width	C Overall Height	D Intake Height	Roof Opening	E Curb Cap ID	Damper OD	Discharge Opening	Filter Size/No.	No. Tiers	Avg. Ship Weight (lbs.)
LSF-9	24 -1/2	37-3/4	23-3/4	16-1/8	19-1/2	24 X 24	16	12 X 10-1/2	16 X 20 X 1 (4)	3	265
LSF-10	28-1/2	41-3/4	23-3/4	16	23-1/2	28 X 28	20	13-1/4 X 11-5/8	16 X 25 X 1 (4)	3	290
LSF-12	28-1/2	41-3/4	30-1/2	16	23-1/2	28 X 28	20	15-7/8 X 13-5/8	16 X 25 X 1 (4)	3	340
LSF-15	32-1/2	45-3/4	32	18	27-1/2	32 X 32	24	18-7/8 X 16-1/4	21-1/2 X 28 X 1 (4)	4	380
LSF-18	36-1/2	50	38-5/8	23	31-3/8	36 X 36	27	22-1/4 X 19	24 X 30 X 1 (4)	5	540
LSF-20	51-1/2	65	47	26	46	51 X 51	42	23-1/8 X 25	25-1/2 x 45-1/2 X (4)	5	890



Duct Adaptor Dimensions

Model/Size CSF/LSF	A SQ.	B SQ.	C
CSF/LSF-9	18-1/2	14-1/2	2
CSF/LSF-10	22-1/2	18-1/2	2
CSF/LSF-12	22-1/2	18-1/2	2
CSF/LSF-15	26-1/2	20-1/2	3
CSF/LSF-18	30-1/2	24-1/2	3
CSF/LSF-20	45	30	7-1/2

MODEL SQB

BELT DRIVE SQUARE INLINE CENTRIFUGAL DUCT FAN



MODEL FEATURES

- Exhaust air up to 24,000 CFM in high static pressure applications up to 3-1/2" w.g.
- Belt drives permit easy performance adjustments when needed
- Ideal for applications where space is limited
- Non-overloading backward inclined wheel for efficiency at higher static pressures
- AMCA Air and Sound Licensed
- cULus 705 Listed

APPLICATION CONSTRUCTION OPTIONS

MODEL NAME	TYPICAL APPLICATIONS
SQB	Removal of clean air in general applications
SQBHP	High Pressure version of SQB

MODEL OVERVIEW

Model SQB fans are available in sizes 7 through 42, moving from 100 to over 24,000 CFM, with high static pressure capabilities to 3-1/2". SQB units are the perfect selection for clean air applications where space is a leading consideration. The compact housing, with removable access doors (2), can be mounted in any orientation.

CONSTRUCTION FEATURES AND OPTIONS

Motor mounting plate with integral belt tensioning device.

Heavy-gauge galvanized steel housing (aluminum optional).

Deep spun venturi inlet.

Aluminum non-overloading backward inclined wheel.

Corrosion resistant fasteners.

Factory Run & Tested
Assures dependable operation

AMCA Seal
Assures rating of Sound and Air performance

Open drip-proof motor (many options available).

Adjustable motor sheave.

Cast iron pillow block air handling bearings.

Removable access panels (2) with neoprene gaskets.

Integral inlet and outlet duct flanges.

Removable drive and bearing covers.

UL Label
For electrical reliability

Model SQB is available in our Quickship program. Sizes 7-24 are available for next day or 3-day shipping from stock.

2 year fan housing warranty, 1 year motor warranty

All specifications are subject to change without notice unless approved in submittal by JencoFan.



CONSTRUCTION/SPECIFICATION CHECKLIST

Blower/Housing

- Aluminum, non-overloading, backward inclined centrifugal wheel statically and dynamically balanced.
- Deep spun venturi inlet.
- Heavy-gauge galvanized steel housing.
- Integral inlet and outlet duct collars.
- Universal mounting - horizontal, vertical, or any angle.
- Motors and drives out of the airstream.
- Removable drive and bearing covers for easy access.
- Easy access to interior of unit with removable side panels (two per unit) with closed cell neoprene gasketing.
- Motor, drives, wheel, shaft, and bearings removable from unit without disconnecting duct.
- Motor mount plate with integral belt tensioning device.

Shaft and Bearings

- Precision turned, ground, and polished steel fan shaft and keyed.
- Self aligning cast iron air handling pillow block bearings with re-lube fitting, double sealed and pre-lubricated, designed for 200,000 hour life, L50.

Motor and Drives

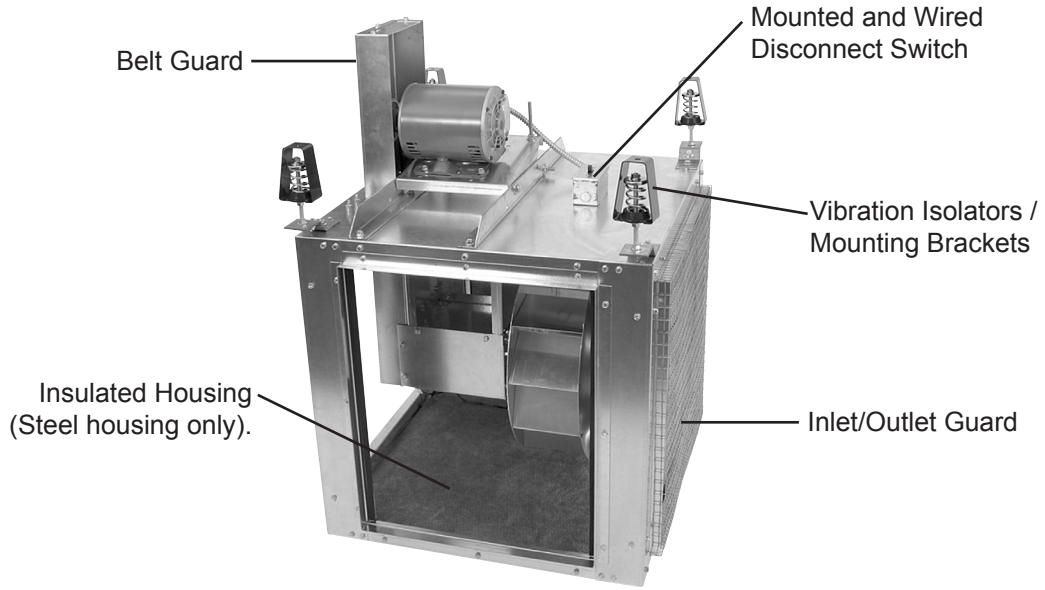
- Permanently sealed ball bearing type motor furnished to the specified voltage, phase, and enclosure.
- Open drip-proof is standard. Two speed, totally enclosed, and explosion proof motors can be specified for most models.
- Drives are specified for a minimum of 150% of driven horsepower. Cast iron motor pulleys are factory set to the required RPM and are adjustable for final system balancing.
- Disconnect switch standard on single speed drip-proof and totally enclosed motors.

Certifications

- AMCA - the AMCA Seal on all units assures certified rating of air and sound performance.
- cULus - most models are available as listed by Underwriters Laboratories under Standard 705 when specified.



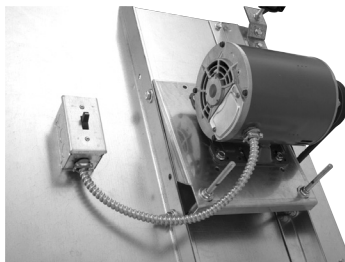
OPTIONS/ACCESSORIES



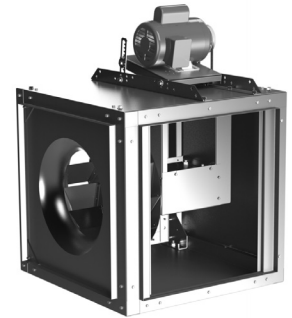
External Grease Fittings



Mounted and Wired Disconnect



Side Discharge



Belt Guard



Motor Cover



Inlet/Outlet Guard





**Hanging Bracket/
Mounting Foot with
Hanging Spring Isolator**



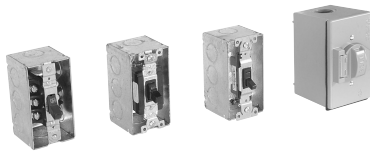
Hanging Spring Isolators



**Hanging Rubber in
Shear Isolators**



Assorted Disconnects



Heavy-duty Disconnect



Backdraft Damper



Insulated Housing



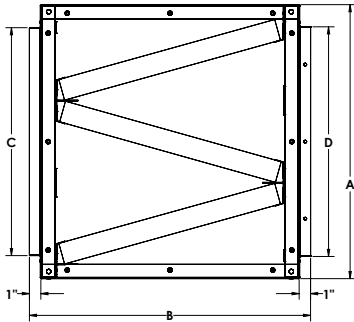


FILTER BOX OPTIONS



Features

- Designed for use with SQB Fans
- Designed to handle 1" or 2" filters
- Galvanized or aluminum construction up to size 24
- Galvanized construction sizes 30-42
- Standard filter is washable aluminum
- MERV 7 (1") or MERV 8 (2") disposable pleated filters available by special quote
- Removable side panels for easy access to filters



Dimensions - Filter Box with 1" Aluminum Filters

Fan Size	Filter Box Dimensions				Avg. Ship Wgt. (lbs)		No. of Filters	1" Filter Nominal Size
	A	B	C	D	Galv.	Alum.		
07-08	25	25	11-7/8	12	28	15	2	15x20x1
10	18	24-1/2	13-7/8	14	35	17	2	16x20x1
12	22	29-1/8	17-7/8	18	48	24	2	20x25x1
15	24	24-5/8	21-7/8	22	47	23	3	20x25x1
18	28	24-5/8	23-7/8	24	62	31	4	20x25x1
20	32	29-1/8	27-7/8	28	72	36	6	16x25x1
24	39	29-1/8	34-7/8	35	96	47	6	20x25x1
30	44	30-3/8	39-7/8	40	131	-	8	20x25x1
36	52	27-1/8	47-7/8	48	149	-	10	20x25x1
42	58	32-1/8	53-7/8	54	180	-	15	20x25x1

Dimensions - Filter Box with 2" Aluminum Filters

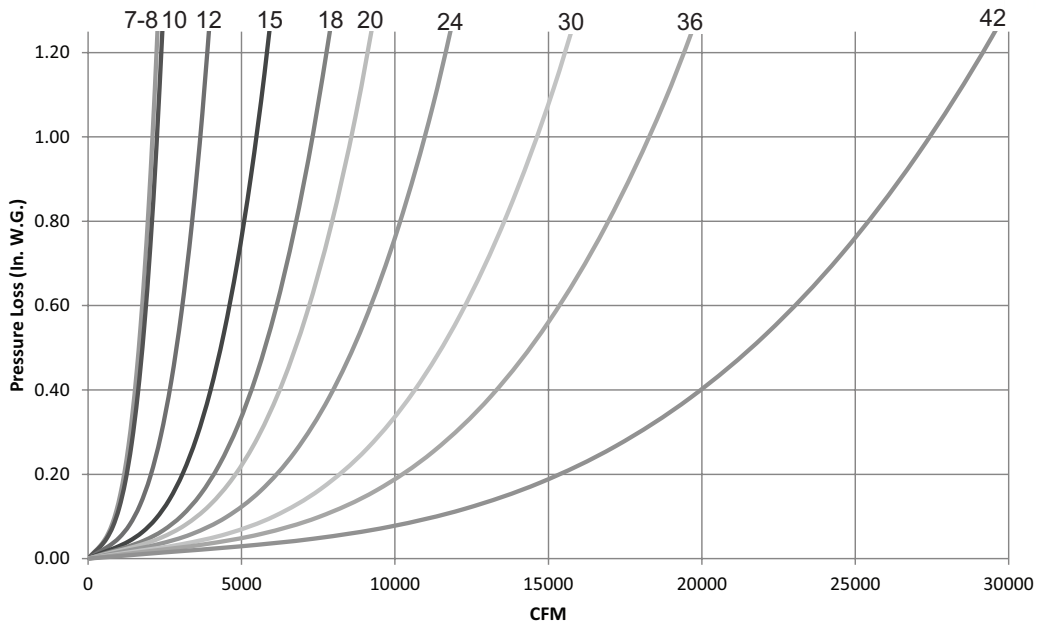
Fan Size	Filter Box Dimensions				Avg. Ship Wgt. (lbs)		No. of Filters	2" Filter Nominal Size
	A	B	C	D	Galv.	Alum.		
07-08	25	25	11-7/8	12	29	16	2	15x20x2
10	18	24-1/2	13-7/8	14	37	19	2	16x20x2
12	22	29-1/8	17-7/8	18	50	26	2	20x25x2
15	24	24-5/8	21-7/8	22	49	25	3	20x25x2
18	28	24-5/8	23-7/8	24	65	34	4	20x25x2
20	32	29-1/8	27-7/8	28	75	39	6	16x25x2
24	39	29-1/8	34-7/8	35	100	51	6	20x25x2
30	44	30-3/8	39-7/8	40	135	-	8	20x25x2
36	52	27-1/8	47-7/8	48	154	-	10	20x25x2
42	58	32-1/8	53-7/8	54	185	-	15	20x25x2



FILTER BOX OPTIONS Cont.

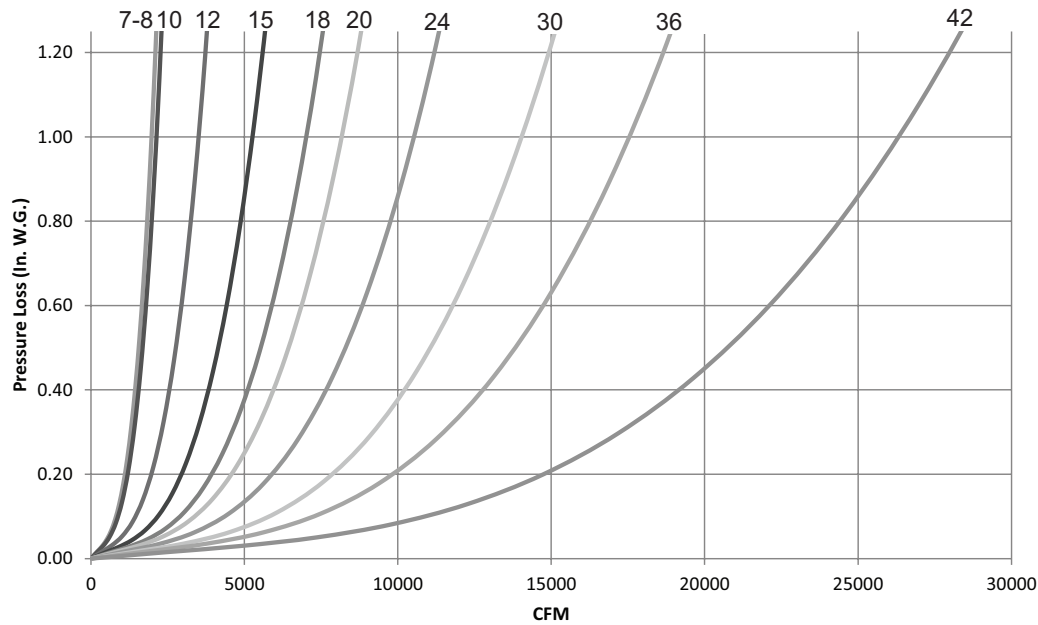
PRESSURE LOSS GUIDE FOR 1" FILTER BOX

Use the estimated pressure drop graphs to help select the proper fan that will deliver the desired airflow. Enter the graph from the bottom at the specified CFM and move vertically upward to the fan curve for the desired size, then horizontally to the left and read the estimated static pressure drop resulting from these typical accessory packages. Add the accessory pressure loss to the system (or building) design static pressure loss to obtain the total static pressure loss to be used for the proper fan selection.



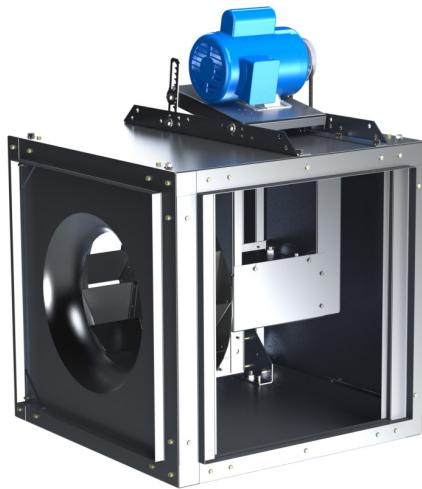
PRESSURE LOSS GUIDE FOR 2" FILTER BOX

Use the estimated pressure drop graphs to help select the proper fan that will deliver the desired airflow. Enter the graph from the bottom at the specified CFM and move vertically upward to the fan curve for the desired size, then horizontally to the left and read the estimated static pressure drop resulting from these typical accessory packages. Add the accessory pressure loss to the system (or building) design static pressure loss to obtain the total static pressure loss to be used for the proper fan selection.



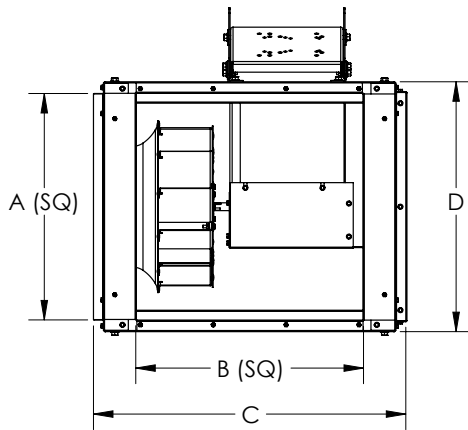


SIDE DISCHARGE OPTION



Dimensions (in.)

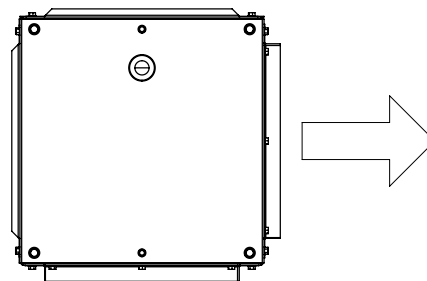
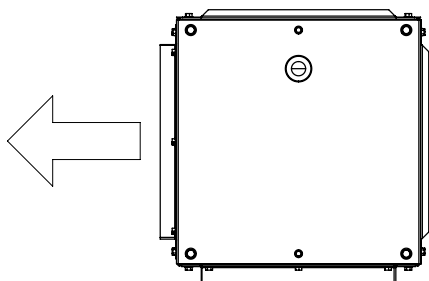
MODEL	A(IN)	B(IN)	C(IN)	D(IN)
SQB 7	11-7/8	11-7/8	23	15
SQB 8	11-7/8	11-7/8	23	15
SQB 10	13-7/8	13-7/8	23	17
SQB 12	17-7/8	17-7/8	23	21
SQB 15	21-7/8	21-7/8	30	24
SQB 15 HP	21-7/8	21-7/8	30	24
SQB 18	23-7/8	23-7/8	30	28
SQB 18 HP	23-7/8	23-7/8	30	28
SQB 20	27-7/8	27-7/8	34	32
SQB 20 HP	27-7/8	23-7/8	34	32
SQB 24	34-7/8	34-7/8	38	39
SQB 24 HP	34-7/8	34-7/8	38	39
SQB 30	39-7/8	39-7/8	40	44
SQB 30 HP	39-7/8	39-7/8	40	44
SQB 36	47-7/8	NA	45	52
SQB 36 HP	47-7/8	NA	45	52
SQB 42	53-7/8	NA	53	58



Side Discharge Directions

SIDE DISCHARGE LEFT

SIDE DISCHARGE RIGHT



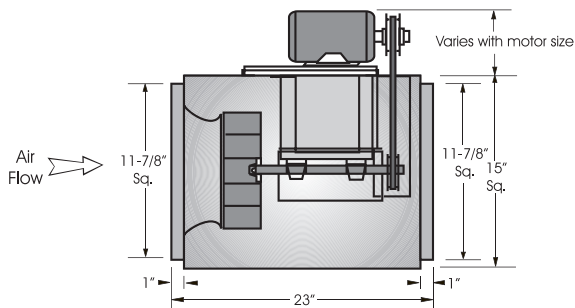
AIRFLOW

AIRFLOW



PERFORMANCE/DIMENSIONS

SQB 7



Outlet Velocity = CFM x 1.02
 Tip Speed = RPM x 2.6835
 Maximum Motor Frame Size = 145T
 Maximum RPM = 2430
 Maximum BHP at a Given RPM = (RPM/3022)³

Unit Specifications
 Housing Metal Thickness = 18 GA.
 Approximate Weight = 75 lbs.

CFM / BHP @ Static Pressure / Sones										Drive Range	RPM	HP	Tip Speed
1/8	1/4	3/8	1/2	5/8	3/4	1	1-1/4	1-1/2	1-3/4				
151	98	-	-	-	-	-	-	-	-	DP 1	1070	1/4	2871
.04/4.4	.04/4.4	-	-	-	-	-	-	-	-		1150	1/4	3086
169	122	-	-	-	-	-	-	-	-		1210	1/4	3247
.06/5.5	.06/5.4	-	-	-	-	-	-	-	-		1290	1/4	3462
182	138	86	-	-	-	-	-	-	-		1370	1/4	3676
.06/6.2	.06/6.1	.06/6.1	-	-	-	-	-	-	-		1450	1/4	3891
199	159	113	-	-	-	-	-	-	-		1530	1/4	4106
.08/7.1	.08/7.0	.08/7.0	-	-	-	-	-	-	-		1610	1/4	4320
216	179	138	89	-	-	-	-	-	-		1690	1/4	4535
.09/7.9	.09/7.7	.09/7.7	.09/7.7	-	-	-	-	-	-		1730	1/4	4642
233	199	161	118	-	-	-	-	-	-	1770	1/4	4750	
.11/8.6	.11/8.5	.11/8.4	.11/8.4	-	-	-	-	-	-	1810	1/4	4857	
249	217	182	144	99	-	-	-	-	-	1850	1/4	4964	
.13/9.4	.13/9.2	.13/9.1	.13/9.1	.12/9.1	-	-	-	-	-	1890	1/4	5072	
265	235	203	167	128	-	-	-	-	-	1930	1/4	5179	
.15/10.2	.15/10.1	.15/9.9	.15/9.9	.15/9.9	-	-	-	-	-	1970	1/3	5286	
281	253	223	190	154	114	-	-	-	-	2050	1/3	5501	
.18/11.2	.18/11.0	.18/10.8	.18/10.8	.17/10.8	.17/10.8	-	-	-	-	2110	1/3	5662	
289	262	232	201	167	129	-	-	-	-	2190	1/2	5877	
.19/11.8	.19/11.7	.19/11.4	.19/11.3	.19/11.3	.18/11.3	-	-	-	-	2270	1/2	6091	
297	270	242	211	178	143	-	-	-	-	2350	1/2	6306	
.20/12.4	.20/12.3	.20/12.0	.20/11.9	.20/11.9	.20/11.9	-	-	-	-	2430	1/2	6521	
304	279	251	222	190	156	-	-	-	-				
.22/13.0	.22/12.9	.22/12.6	.22/12.4	.22/12.4	.21/12.4	-	-	-	-				
312	287	260	232	201	169	-	-	-	-				
.23/13.6	.23/13.5	.23/13.2	.23/12.9	.23/12.9	.23/12.9	-	-	-	-				
320	296	270	242	212	181	105	-	-	-				
.25/14.2	.25/14.2	.25/13.9	.25/13.6	.25/13.5	.24/13.5	.22/13.5	-	-	-				
328	304	279	252	223	193	123	-	-	-				
.26/14.9	.26/14.8	.26/14.5	.26/14.3	.26/14.2	.26/14.2	.24/14.2	-	-	-				
335	312	288	261	234	205	138	-	-	-				
.28/15.5	.28/15.5	.28/15.2	.28/14.9	.28/14.8	.28/14.8	.26/14.8	-	-	-				
351	329	305	281	254	227	167	-	-	-				
.32/16.8	.31/16.7	.31/16.6	.31/16.3	.31/16.1	.31/16.1	.31/16.1	-	-	-				
362	341	319	295	270	243	186	116	-	-				
.34/17.8	.34/17.7	.34/17.6	.34/17.3	.34/17.1	.34/17.0	.34/17.0	.31/17.0	-	-				
377	357	336	313	289	264	211	150	-	-				
.39/19.1	.38/19.0	.38/18.9	.38/18.7	.38/18.5	.38/18.3	.38/18.3	.36/18.3	-	-				
393	373	353	331	309	285	235	179	107	-				
.43/20	.43/20	.42/20	.42/20	.43/19.9	.43/19.7	.43/19.7	.41/19.7	.38/19.7	-				
408	389	370	349	327	305	257	206	145	-				
.48/22	.47/22	.47/22	.47/22	.47/21	.47/21	.47/21	.46/21	.44/21	-				
423	405	386	366	346	324	279	231	176	102				
.53/24	.52/24	.52/24	.52/23	.52/23	.52/23	.52/23	.52/23	.50/23	.46/23				

Performance certified is for installation type B - free inlet, ducted outlet.
 Power Ratings (BHP) does not include drive losses.
 Performance ratings do not include the effects of appurtenances in the airstream.

The sound ratings shown are loudness values in fan sones @ 5' (1.5m) in a hemispherical free field calculated per AMCA Standard 301. Values shown are for installation type A - free inlet fan sone levels.

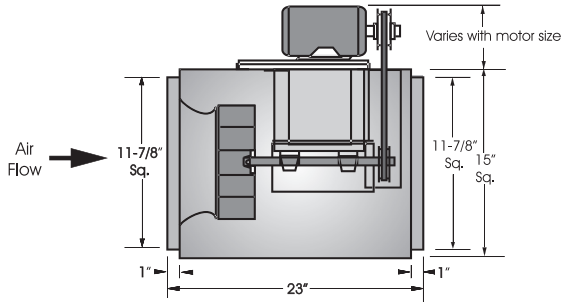


JencoFan, Div. of Soler & Palau Ventilation Group, certifies that the Models SQB shown herein are licensed to bear the AMCA Seal. The ratings shown are based on test and procedures performed in accordance with AMCA Publication 211 and AMCA Publication 311 and comply with the requirement of the AMCA Certified Ratings Program.





SQB 8



Outlet Velocity = CFM x 1.02

Tip Speed = RPM x 2.6835

Maximum Motor Frame Size = 145T

Maximum RPM = 2625

Maximum BHP at a Given RPM = (RPM/2876)³

Unit Specifications

Housing Metal Thickness = 18 GA.

Approximate Weight = 75 lbs.

CFM / BHP @ Static Pressure / Sones										Drive Range	RPM	HP	Tip Speed
1/8	1/4	3/8	1/2	5/8	3/4	1	1-1/4	1-1/2	1-3/4				
453	347	-	-	-	-	-	-	-	-	DP5	1050	1/4	2818
.05/5.0	.05/4.8	-	-	-	-	-	-	-	-		1125	1/4	3019
542	460	336	-	-	-	-	-	-	-		1200	1/4	3220
.07/7.0	.08/6.8	.07/6.8	-	-	-	-	-	-	-		1275	1/4	3421
585	510	415	-	-	-	-	-	-	-		1350	1/4	3623
.09/8.0	.09/7.8	.09/7.8	-	-	-	-	-	-	-		1425	1/4	3824
627	558	477	331	-	-	-	-	-	-		1500	1/4	4025
.10/8.7	.11/8.5	.11/8.4	.10/8.6	-	-	-	-	-	-		1575	1/4	4226
669	604	532	434	-	-	-	-	-	-		1650	1/4	4428
.12/9.5	.12/9.4	.13/9.2	.13/9.3	-	-	-	-	-	-		1725	1/4	4629
711	650	584	503	346	-	-	-	-	-	DP6	1800	1/4	4830
.14/10.2	.14/10.1	.15/10.0	.15/9.9	.14/10.0	-	-	-	-	-		1850	1/3	4964
753	695	633	563	465	-	-	-	-	-	DP7	1900	1/3	5099
.16/11.1	.16/10.9	.17/10.8	.17/10.7	.17/10.8	-	-	-	-	-		1950	1/3	5233
794	738	681	618	539	397	-	-	-	-	DP8	2025	1/3	5434
.18/12.0	.19/11.9	.19/11.7	.20/11.6	.20/11.7	.18/12.0	-	-	-	-		2075	1/2	5568
835	782	728	669	602	509	-	-	-	-	DP9	2125	1/2	5702
.21/13.1	.21/13.0	.22/12.8	.22/12.7	.23/12.6	.22/12.9	-	-	-	-		2175	1/2	5836
876	825	774	719	658	584	-	-	-	-	DP9	2275	1/2	6105
.24/14.3	.24/14.1	.25/13.9	.25/13.8	.26/13.7	.26/13.8	-	-	-	-		2325	1/2	6239
903	853	804	752	694	627	-	-	-	-	DP9	2475	3/4	6642
.26/15.0	.26/14.9	.27/14.7	.27/14.6	.28/14.4	.28/14.4	-	-	-	-		2625	3/4	7044
930	882	833	783	729	667	445	-	-	-	DP9			
.28/15.8	.28/15.7	.29/15.5	.30/15.4	.30/15.2	.30/15.1	.28/15.6	-	-	-				
957	910	863	815	763	705	536	-	-	-	DP9			
.30/16.6	.31/16.5	.31/16.3	.32/16.2	.32/16.1	.33/15.9	.32/16.3	-	-	-				
998	952	907	861	812	759	623	-	-	-	DP9			
.34/17.8	.34/17.7	.35/17.6	.35/17.4	.36/17.3	.36/17.2	.36/17.3	-	-	-				
1024	980	936	891	844	794	671	-	-	-	DP9			
.37/18.7	.37/18.5	.37/18.4	.38/18.3	.39/18.1	.39/18.0	.39/18.0	-	-	-				
1051	1008	965	921	876	828	715	500	-	-	DP9			
.39/19.5	.40/19.4	.40/19.3	.41/19.1	.41/19.1	.42/18.9	.42/18.8	.39/19.2	-	-				
1078	1036	993	951	907	861	755	592	-	-	DP9			
.42/20	.42/20	.43/20	.44/19.9	.44/19.9	.45/19.8	.45/19.6	.44/20	-	-				
1132	1091	1051	1010	969	926	831	708	-	-	DP9			
.48/22	.48/22	.49/22	.50/22	.50/22	.51/22	.52/21	.52/22	-	-				
1158	1118	1079	1039	999	958	868	755	540	-	DP9			
.51/24	.52/23	.52/23	.53/23	.53/23	.54/23	.55/23	.55/23	.51/23	-				
1238	1200	1163	1126	1089	1051	971	878	758	-	DP9			
.62/27	.62/27	.63/27	.63/27	.64/27	.65/27	.66/26	.67/26	.66/26	-				
1318	1282	1247	1212	1177	1142	1068	988	894	766	DP9			
.74/30	.74/30	.75/30	.75/29	.76/29	.77/29	.78/29	.79/29	.80/29	.79/29				

Performance certified is for installation type B - free inlet, ducted outlet.
 Power Ratings (BHP) does not include drive losses.
 Performance ratings do not include the effects of appurtenances in the airstream.

The sound ratings shown are loudness values in fan sones @ 5' (1.5m) in a hemispherical free field calculated per AMCA Standard 301. Values shown are for installation type A - free inlet fan sone levels.

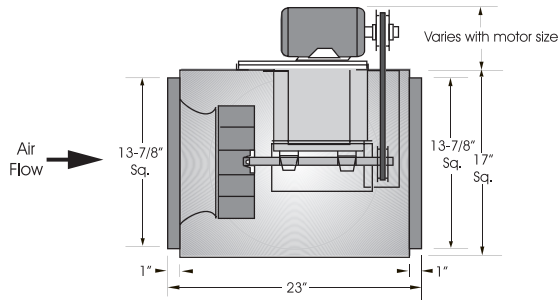


JencoFan, Div. of Soler & Palau Ventilation Group, certifies that the Models SQB shown herein are licensed to bear the AMCA Seal. The ratings shown are based on test and procedures performed in accordance with AMCA Publication 211 and AMCA Publication 311 and comply with the requirement of the AMCA Certified Ratings Program.





SQB 10



Outlet Velocity = CFM x 0.74
Tip Speed = RPM x 3.207
Maximum Motor Frame Size = 145T
Maximum RPM = 2400
Maximum BHP at a Given RPM = $(RPM/2376)^3$

Unit Specifications
Housing Metal Thickness = 18 GA.
Approximate Weight = 85 lbs.

CFM / BHP @ Static Pressure / Sones											Drive Range	RPM	HP	Tip Speed	
1/8	1/4	3/8	1/2	5/8	3/4	1	1-1/4	1-1/2	1-3/4	2					
798	687	540	-	-	-	-	-	-	-	-	DP 10	1050	1/4	3367	
.09/5.5	.09/5.2	.09/5.1	-	-	-	-	-	-	-	-		1100	1/4	3528	
917	821	712	557	-	-	-	-	-	-	-		1175	1/4	3768	
.12/7.2	.12/6.8	.12/6.6	.12/6.6	-	-	-	-	-	-	-		1250	1/4	4009	
988	897	800	681	436	-	-	-	-	-	-		1300	1/4	4169	
.14/8.3	.15/7.9	.15/7.5	.15/7.5	.12/7.5	-	-	-	-	-	-		1350	1/4	4330	
1035	948	856	750	594	-	-	-	-	-	-		1400	1/4	4490	
.16/8.8	.17/8.4	.17/8.0	.17/8.0	.16/8.0	-	-	-	-	-	-		1450	1/4	4650	
1081	997	911	814	688	-	-	-	-	-	-		1500	1/4	4811	
.18/9.4	.18/8.9	.19/8.6	.19/8.4	.18/8.4	-	-	-	-	-	-		1550	1/3	4971	
1127	1046	964	874	765	593	-	-	-	-	-	DP 11	1600	1/3	5131	
.20/10.0	.21/9.5	.21/9.1	.21/8.9	.21/8.9	.19/8.9	-	-	-	-	-		1650	1/3	5292	
1173	1095	1016	932	834	702	-	-	-	-	-		1700	1/2	5452	
.22/10.5	.23/10.2	.23/9.7	.23/9.4	.23/9.4	.22/9.4	-	-	-	-	-		1775	1/2	5692	
1219	1143	1068	988	898	787	-	-	-	-	-		1850	1/2	5933	
.25/11.1	.25/10.7	.26/10.4	.26/10.0	.26/9.9	.25/9.9	-	-	-	-	-		1900	1/2	6093	
1265	1191	1118	1042	959	861	-	-	-	-	-		1950	3/4	6254	
.27/11.7	.28/11.3	.28/10.9	.28/10.6	.29/10.4	.28/10.4	-	-	-	-	-		2025	3/4	6494	
1310	1239	1169	1096	1018	929	634	-	-	-	-		2100	3/4	6735	
.30/12.4	.30/12.0	.31/11.6	.31/11.2	.31/11.0	.31/11.0	.27/10.9	-	-	-	-		2175	3/4	6975	
1356	1286	1216	1148	1074	992	763	-	-	-	-	DP 12	2250	1	7216	
.33/13.1	.33/12.7	.34/12.3	.34/11.9	.34/11.6	.34/11.5	.32/11.5	-	-	-	-		2400	1	7697	
1401	1334	1267	1200	1130	1053	857	-	-	-	-		DP 13			
.36/13.9	.36/13.5	.37/13.1	.37/12.7	.38/12.4	.38/12.3	.36/12.1	-	-	-	-					
1469	1404	1340	1276	1210	1140	973	654	-	-	-					
.41/14.9	.41/14.6	.42/14.3	.42/13.9	.43/13.6	.43/13.3	.42/13.3	.36/13.2	-	-	-					
1536	1474	1413	1352	1289	1224	1076	864	-	-	-					
.46/16.2	.47/15.8	.47/15.5	.48/15.1	.48/14.8	.48/14.5	.48/14.4	.46/14.3	-	-	-					
1581	1520	1461	1401	1341	1278	1139	957	-	-	-					
.50/17.0	.50/16.7	.51/16.3	.51/16.0	.52/15.7	.52/15.3	.53/15.1	.51/15.1	-	-	-					
1626	1566	1508	1451	1392	1332	1200	1037	741	-	-	DP 14				
.54/17.9	.54/17.5	.55/17.2	.56/16.9	.56/16.5	.57/16.2	.57/15.9	.56/15.9	.49/15.9	-	-					
1693	1636	1579	1524	1468	1411	1288	1145	943	-	-					
.60/19.2	.61/18.8	.61/18.5	.62/18.2	.63/17.9	.63/17.6	.64/17.1	.63/17.1	.60/17.1	-	-					
1760	1704	1650	1597	1543	1488	1373	1243	1079	773	-					
.67/21	.68/20	.68/19.9	.69/19.6	.70/19.3	.70/19.0	.71/18.4	.71/18.3	.69/18.2	.60/18.3	-					
1827	1773	1720	1669	1617	1564	1456	1336	1194	993	-					
.75/22	.75/22	.76/21	.76/21	.77/21	.78/20	.79/19.8	.79/19.5	.78/19.5	.74/19.4	-					
1894	1841	1790	1740	1690	1640	1536	1424	1297	1135	849					
.83/24	.83/23	.84/23	.84/23	.85/22	.86/22	.87/21	.87/21	.87/21	.85/21	.74/21					
2027	1977	1929	1882	1835	1788	1693	1593	1484	1360	1205					
1.00/27	1.01/27	1.01/26	1.02/26	1.03/26	1.03/25	1.05/25	1.06/24	1.06/24	1.06/24	1.03/24					

Performance certified is for installation type B - free inlet, ducted outlet.
 Power Ratings (BHP) does not include drive losses.
 Performance ratings do not include the effects of appurtenances in the airstream.

The sound ratings shown are loudness values in fan sones @ 5' (1.5m) in a hemispherical free field calculated per AMCA Standard 301. Values shown are for installation type A - free inlet fan sone levels.

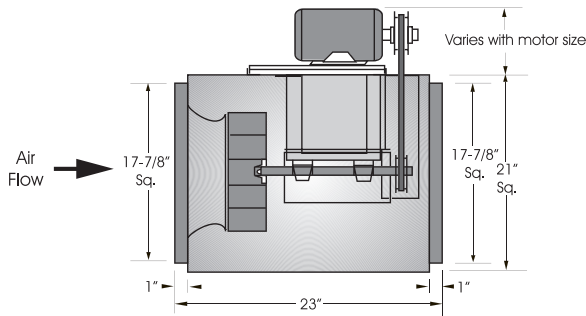


JencoFan, Div. of Soler & Palau Ventilation Group, certifies that the Models SQB shown herein are licensed to bear the AMCA Seal. The ratings shown are based on test and procedures performed in accordance with AMCA Publication 211 and AMCA Publication 311 and comply with the requirement of the AMCA Certified Ratings Program.





SQB 12



- Outlet Velocity = CFM x 0.45
- Tip Speed = RPM x 3.534
- Maximum Motor Frame Size = 145T
- Maximum RPM = 2125
- Maximum BHP at a Given RPM = (RPM/1821)³

- Unit Specifications**
- Housing Metal Thickness = 18 GA.
 - Approximate Weight = 95 lbs.

CFM / BHP @ Static Pressure / Sones											Drive Range	RPM	HP	Tip Speed
1/8	1/4	3/8	1/2	5/8	3/4	1	1-1/4	1-1/2	1-3/4	2				
1293	1098	769	-	-	-	-	-	-	-	-	DP 15	900	1/4	3181
.12/5.9	.12/5.6	.11/5.4	-	-	-	-	-	-	-	-		DP 16	1000	1/4
1474	1309	1102	-	-	-	-	-	-	-	-	DP 17		1025	1/4
.16/7.3	.16/7.0	.16/6.8	-	-	-	-	-	-	-	-		DP 18	1075	1/4
1518	1359	1165	806	-	-	-	-	-	-	-	DP 19		1120	1/4
.17/7.6	.18/7.4	.18/7.1	.15/6.9	-	-	-	-	-	-	-		DP 20	1170	1/4
1607	1458	1284	1036	-	-	-	-	-	-	-	DP 15		1225	1/3
.20/8.4	.20/8.1	.21/7.9	.20/7.7	-	-	-	-	-	-	-		DP 16	1275	1/3
1686	1544	1384	1177	-	-	-	-	-	-	-	DP 17		1325	1/2
.22/9.1	.23/8.9	.23/8.6	.23/8.4	-	-	-	-	-	-	-		DP 18	1400	1/2
1773	1639	1491	1312	1032	-	-	-	-	-	-	DP 19		1475	1/2
.25/10.0	.26/9.7	.26/9.4	.26/9.3	.24/9.1	-	-	-	-	-	-		DP 20	1525	3/4
1868	1741	1604	1445	1235	-	-	-	-	-	-	DP 15		1575	3/4
.29/11.0	.30/10.8	.30/10.5	.30/10.3	.30/10.1	-	-	-	-	-	-		DP 16	1625	3/4
1954	1833	1704	1558	1380	1099	-	-	-	-	-	DP 17		1675	3/4
.33/12.0	.33/11.8	.34/11.5	.34/11.3	.34/11.1	.31/10.9	-	-	-	-	-		DP 18	1700	1
2040	1924	1801	1667	1509	1297	-	-	-	-	-	DP 19		1750	1
.37/13.1	.37/12.8	.38/12.5	.39/12.3	.38/12.1	.37/11.9	-	-	-	-	-		DP 20	1800	1
2168	2059	1945	1822	1685	1520	-	-	-	-	-	DP 15		1850	1
.43/14.6	.44/14.3	.45/14.1	.45/13.8	.45/13.7	.45/13.5	-	-	-	-	-		DP 16	1900	1-1/2
2296	2192	2085	1973	1850	1710	1282	-	-	-	-	DP 17		1950	1-1/2
.51/15.8	.51/15.5	.52/15.3	.53/15.1	.53/14.9	.53/14.7	.48/14.5	-	-	-	-		DP 18	2000	1-1/2
2380	2280	2178	2070	1955	1827	1481	-	-	-	-	DP 19		2125	1-1/2
.56/16.6	.57/16.3	.57/16.1	.58/15.9	.59/15.7	.59/15.6	.56/15.3	-	-	-	-		DP 20	-	-
2465	2368	2269	2167	2057	1938	1639	-	-	-	-	DP 15		-	-
.62/17.3	.62/17.1	.63/16.9	.64/16.7	.64/16.5	.65/16.4	.63/16.1	-	-	-	-		DP 16	-	-
2549	2456	2360	2262	2158	2046	1778	1303	-	-	-	DP 17		-	-
.68/18.2	.68/18.0	.69/17.8	.70/17.6	.71/17.4	.71/17.2	.70/17.0	.62/16.7	-	-	-		DP 18	-	-
2633	2543	2450	2356	2256	2151	1906	1545	-	-	-	DP 19		-	-
.74/19.0	.75/18.8	.76/18.6	.76/18.4	.77/18.2	.78/18.0	.78/17.8	.73/17.6	-	-	-		DP 20	-	-
2675	2586	2495	2402	2305	2202	1967	1638	-	-	-	DP 15		-	-
.77/19.4	.78/19.2	.79/19.0	.80/18.6	.80/18.6	.81/18.5	.81/18.2	.78/18.0	-	-	-		DP 16	-	-
2759	2672	2585	2495	2402	2304	2084	1800	1111	-	-	DP 17		-	-
.84/21	.85/20	.86/20	.87/19.9	.88/19.6	.88/19.4	.89/19.1	.87/18.9	.66/18.7	-	-		DP 18	-	-
2843	2758	2673	2586	2497	2403	2197	1943	1539	-	-	DP 19		-	-
.92/22	.93/21	.93/21	.94/21	.95/21	.96/21	.97/20	.95/19.7	.87/19.5	-	-		DP 20	-	-
2926	2844	2762	2678	2591	2501	2306	2074	1751	-	-	DP 15		-	-
1.00/23	1.00/22	1.01/22	1.02/22	1.03/22	1.04/22	1.05/21	1.04/21	.99/20	-	-		DP 16	-	-
3010	2930	2850	2768	2684	2598	2412	2197	1920	1356	-	DP 17		-	-
1.08/24	1.09/24	1.09/23	1.10/23	1.11/23	1.12/23	1.13/22	1.13/22	1.10/22	.91/21	-		DP 18	-	-
3176	3101	3024	2947	2869	2788	2618	2428	2203	1897	-	DP 19		-	-
1.26/26	1.27/26	1.27/26	1.28/26	1.29/25	1.30/25	1.32/25	1.33/24	1.32/24	1.26/24	-		DP 20	-	-
3384	3313	3241	3169	3096	3022	2866	2699	2510	2286	1979	DP 15		-	-
1.51/29	1.52/29	1.52/29	1.53/29	1.54/29	1.55/28	1.57/28	1.59/28	1.59/27	1.57/27	1.50/26		DP 16	-	-

Performance certified is for installation type B - free inlet, ducted outlet.
 Power Ratings (BHP) does not include drive losses.
 Performance ratings do not include the effects of appurtenances in the airstream.

The sound ratings shown are loudness values in fan sones @ 5' (1.5m) in a hemispherical free field calculated per AMCA Standard 301. Values shown are for installation type A - free inlet fan sone levels.

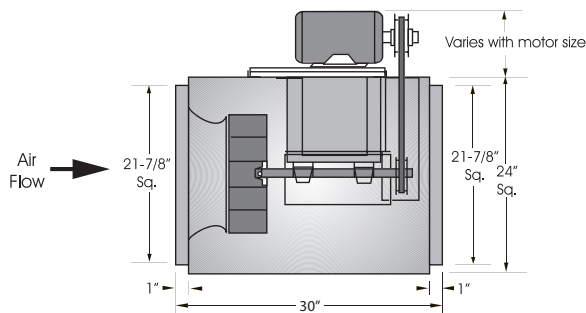


JencoFan, Div. of Soler & Palau Ventilation Group, certifies that the Models SQB shown herein are licensed to bear the AMCA Seal. The ratings shown are based on test and procedures performed in accordance with AMCA Publication 211 and AMCA Publication 311 and comply with the requirement of the AMCA Certified Ratings Program.





SQB 15



Outlet Velocity = CFM x 0.30
 Tip Speed = RPM x 4.058
 Maximum Motor Frame Size = 184T
 Maximum RPM = 1910
 Maximum BHP at a Given RPM = (RPM/1492)³

Unit Specifications
 Housing Metal Thickness = 18 GA.
 Approximate Weight = 140 lbs.

CFM / BHP @ Static Pressure / Sones												Drive Range	RPM	HP	Tip Speed	
1/8	1/4	3/8	1/2	5/8	3/4	1	1-1/4	1-1/2	1-3/4	2	2-1/4					
1611	1408	1135	-	-	-	-	-	-	-	-	-	-	DP 21	770	1/4	3126
.13/6.4	.14/5.8	.14/5.0	-	-	-	-	-	-	-	-	-	-		825	1/4	3348
1753	1567	1349	-	-	-	-	-	-	-	-	-	-	DP 22	880	1/4	3571
.16/7.3	.16/6.8	.17/6.1	-	-	-	-	-	-	-	-	-	-		950	1/4	3855
1894	1721	1531	1269	-	-	-	-	-	-	-	-	-	DP 23	990	1/3	4017
.19/8.3	.20/7.7	.20/7.1	.20/6.3	-	-	-	-	-	-	-	-	-		1060	1/3	4301
2071	1911	1745	1548	1227	-	-	-	-	-	-	-	-	DP 24	1105	1/2	4484
.23/9.6	.24/9.0	.25/8.4	.26/7.7	.24/7.0	-	-	-	-	-	-	-	-		1160	1/2	4707
2172	2018	1861	1684	1447	-	-	-	-	-	-	-	-	DP 25	1205	1/2	4890
.26/10.3	.27/9.7	.29/9.2	.29/8.6	.29/7.8	-	-	-	-	-	-	-	-		1260	3/4	5113
2347	2203	2058	1904	1723	1464	-	-	-	-	-	-	-	DP 26	1335	3/4	5417
.32/11.7	.33/11.1	.35/10.6	.36/10.2	.36/9.4	.35/8.7	-	-	-	-	-	-	-		1375	3/4	5580
2459	2320	2182	2038	1877	1674	-	-	-	-	-	-	-	DP 27	1445	1	5864
.36/12.6	.38/12.1	.39/11.6	.40/11.1	.41/10.5	.40/9.7	-	-	-	-	-	-	-		1530	1	6209
2595	2462	2331	2197	2052	1884	-	-	-	-	-	-	-	DP 27	1560	1-1/2	6330
.42/13.7	.43/13.3	.45/12.9	.46/12.4	.47/12.0	.47/11.1	-	-	-	-	-	-	-		1625	1-1/2	6594
2707	2577	2452	2324	2189	2038	1576	-	-	-	-	-	-	DP 27	1675	1-1/2	6797
.47/14.9	.48/14.3	.50/13.9	.51/13.5	.52/13.1	.53/12.4	.49/10.8	-	-	-	-	-	-		1735	1-1/2	7040
2842	2718	2597	2476	2350	2214	1865	-	-	-	-	-	-	DP 27	1745	2	7081
.54/16.0	.55/15.6	.56/15.1	.58/14.6	.59/14.2	.60/13.7	.59/12.2	-	-	-	-	-	-		1785	2	7243
3026	2908	2794	2680	2564	2442	2159	1668	-	-	-	-	-	DP 27	1840	2	7467
.64/17.7	.65/17.2	.66/16.7	.68/16.3	.69/15.9	.71/15.4	.72/14.1	.66/12.7	-	-	-	-	-		1910	2	7751
3124	3009	2897	2787	2675	2559	2298	1925	-	-	-	-	-	DP 27			
.70/18.5	.71/18.1	.72/17.6	.74/17.2	.75/16.8	.77/16.4	.78/15.1	.76/13.8	-	-	-	-	-				
3295	3184	3078	2973	2868	2760	2526	2236	1585	-	-	-	-	DP 27			
.81/20	.82/19.6	.83/19.2	.85/18.8	.87/18.4	.88/18.0	.90/17.1	.91/15.6	.76/14.3	-	-	-	-				
3502	3396	3295	3196	3097	2996	2786	2545	2225	-	-	-	-	DP 27			
.96/22	.97/22	.98/21	1.00/21	1.02/20	1.03/19.9	1.06/19.2	1.08/18.0	1.06/16.7	-	-	-	-				
3575	3471	3371	3274	3177	3079	2874	2645	2356	1672	-	-	-	DP 27			
1.01/23	1.03/22	1.04/22	1.06/21	1.08/21	1.09/21	1.12/19.9	1.14/18.8	1.13/17.5	.93/16.2	-	-	-				
3732	3632	3536	3442	3349	3255	3063	2853	2608	2268	-	-	-	DP 27			
1.14/24	1.16/24	1.17/24	1.19/23	1.21/23	1.23/22	1.26/21	1.29/21	1.29/19.3	1.25/18.1	-	-	-				
3854	3756	3662	3570	3480	3390	3205	3007	2784	2503	1963	-	-	DP 27			
1.25/26	1.27/25	1.28/25	1.30/24	1.32/24	1.34/24	1.37/23	1.40/22	1.42/21	1.40/19.5	1.24/18.4	-	-				
3999	3904	3813	3724	3636	3549	3372	3187	2983	2742	2413	-	-	DP 27			
1.39/27	1.40/27	1.42/26	1.44/26	1.46/25	1.48/25	1.51/24	1.55/24	1.57/22	1.57/21	1.52/20	-	-				
4023	3928	3838	3749	3662	3576	3400	3216	3015	2780	2465	-	-	DP 27			
1.42/27	1.43/27	1.44/26	1.46/26	1.48/26	1.50/25	1.54/25	1.57/24	1.60/23	1.60/22	1.56/20	-	-				
4119	4027	3938	3851	3766	3681	3510	3333	3141	2923	2651	2181	-	DP 27			
1.52/28	1.53/28	1.54/28	1.56/27	1.58/27	1.60/26	1.64/26	1.68/25	1.70/24	1.71/23	1.69/22	1.54/20	-				
4252	4162	4075	3991	3908	3826	3660	3490	3310	3110	2876	2558	-	DP 27			
1.66/30	1.67/29	1.69/29	1.71/29	1.73/28	1.75/28	1.79/27	1.82/26	1.86/26	1.88/24	1.87/23	1.81/22	-				
4421	4333	4249	4168	4087	4008	3849	3688	3518	3336	3131	2884	-	DP 27			
1.85/32	1.87/31	1.88/31	1.90/31	1.92/30	1.94/30	1.98/29	2.03/28	2.06/27	2.09/27	2.10/25	2.08/24	-				

Performance certified is for installation type B - free inlet, ducted outlet.
 Power Ratings (BHP) does not include drive losses.
 Performance ratings do not include the effects of appurtenances in the airstream.

The sound ratings shown are loudness values in fan sones @ 5' (1.5m) in a hemispherical free field calculated per AMCA Standard 301. Values shown are for installation type A - free inlet fan sone levels.

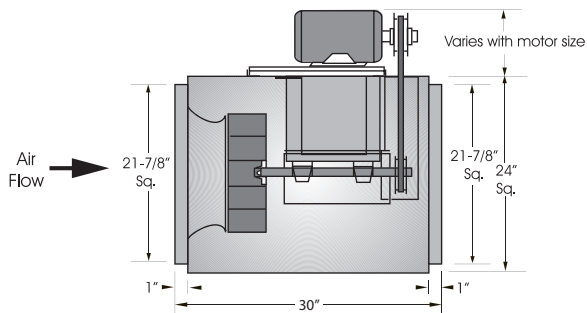


JencoFan, Div. of Soler & Palau Ventilation Group, certifies that the Models SQB shown herein are licensed to bear the AMCA Seal. The ratings shown are based on test and procedures performed in accordance with AMCA Publication 211 and AMCA Publication 311 and comply with the requirement of the AMCA Certified Ratings Program.





SQBHP 15



Outlet Velocity = CFM x 0.30
Tip Speed = RPM x 4.058
Maximum Motor Frame Size = 184T
Maximum RPM = 2130
Maximum BHP at a Given RPM = (RPM/1708)^3

Unit Specifications
Housing Metal Thickness = 18 GA.
Approximate Weight = 140 lbs.

Table with columns for CFM / BHP @ Static Pressure / Sones (3/4, 1, 1-1/4, 1-1/2, 1-3/4, 2, 2-1/4, 2-1/2, 2-3/4, 3, 3-1/4, 3-1/2), Drive Range (DP 28, DP 29, DP 30, DP 31, DP 32, DP 33), RPM, HP, and Tip Speed.

Performance certified is for installation type B - free inlet, ducted outlet. Power Ratings (BHP) does not include drive losses. Performance ratings do not include the effects of appurtenances in the airstream.

The sound ratings shown are loudness values in fan sones @ 5' (1.5m) in a hemispherical free field calculated per AMCA Standard 301. Values shown are for installation type A - free inlet fan sone levels.

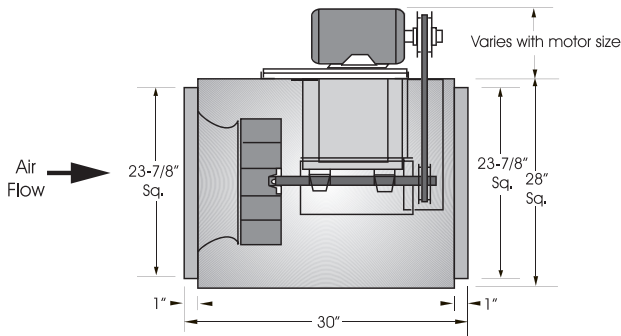


JencoFan, Div. of Soler & Palau Ventilation Group, certifies that the Models SQB shown herein are licensed to bear the AMCA Seal. The ratings shown are based on test and procedures performed in accordance with AMCA Publication 211 and AMCA Publication 311 and comply with the requirement of the AMCA Certified Ratings Program.





SQB 18



Outlet Velocity = CFM x 0.25
Tip Speed = RPM x 4.843
Maximum Motor Frame Size = 184T
Maximum RPM = 1640
Maximum BHP at a Given RPM = (RPM/1122)³

Unit Specifications
Housing Metal Thickness = 18 GA.
Approximate Weight = 190 lbs.

Table with columns for CFM / BHP @ Static Pressure / Sones (1/8 to 2-1/4), Drive Range (DP 34-40), RPM, HP, and Tip Speed. Rows list various fan models and their performance metrics.

Performance certified is for installation type B - free inlet, ducted outlet.
Power Ratings (BHP) does not include drive losses.
Performance ratings do not include the effects of appurtenances in the airstream.

The sound ratings shown are loudness values in fan sones @ 5' (1.5m) in a hemispherical free field calculated per AMCA Standard 301. Values shown are for installation type A - free inlet fan sone levels.

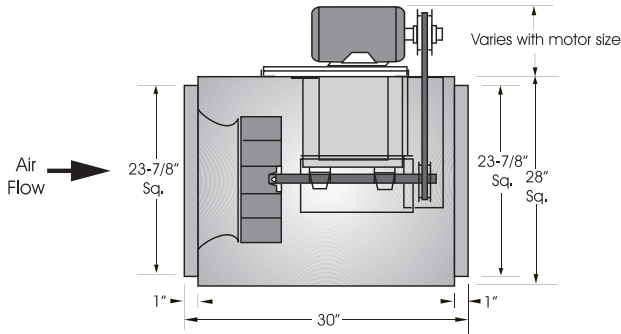


JencoFan, Div. of Soler & Palau Ventilation Group, certifies that the Models SQB shown herein are licensed to bear the AMCA Seal. The ratings shown are based on test and procedures performed in accordance with AMCA Publication 211 and AMCA Publication 311 and comply with the requirement of the AMCA Certified Ratings Program.





SQBHP 18



Outlet Velocity = CFM x 0.25
Tip Speed = RPM x 4.843
Maximum Motor Frame Size = 184T
Maximum RPM = 1800
Maximum BHP at a Given RPM = (RPM/1251)³

Unit Specifications
Housing Metal Thickness = 18 GA.
Approximate Weight = 190 lbs.

Table with columns for CFM / BHP @ Static Pressure / Sones (3/4, 1, 1-1/4, 1-1/2, 1-3/4, 2, 2-1/4, 2-1/2, 2-3/4, 3, 3-1/4), Drive Range (DP 41-46), RPM, HP, and Tip Speed. Rows list various fan models and their performance metrics.

Performance certified is for installation type B - free inlet, ducted outlet. Power Ratings (BHP) does not include drive losses. Performance ratings do not include the effects of appurtenances in the airstream.

The sound ratings shown are loudness values in fan sones @ 5' (1.5m) in a hemispherical free field calculated per AMCA Standard 301. Values shown are for installation type A - free inlet fan sone levels.

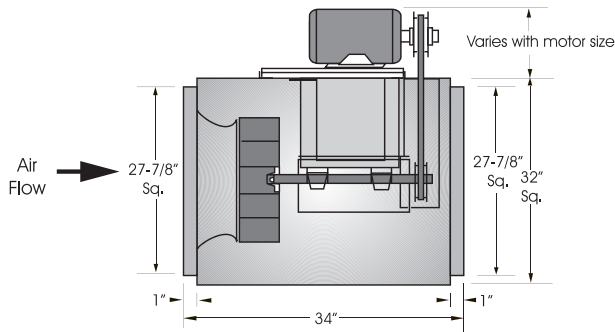


JencoFan, Div. of Soler & Palau Ventilation Group, certifies that the Models SQB shown herein are licensed to bear the AMCA Seal. The ratings shown are based on test and procedures performed in accordance with AMCA Publication 211 and AMCA Publication 311 and comply with the requirement of the AMCA Certified Ratings Program.





SQB 20



Outlet Velocity = CFM x 0.18
Tip Speed = RPM x 5.629
Maximum Motor Frame Size = 184T
Maximum RPM = 1275
Maximum BHP at a Given RPM = (RPM/870)³

Unit Specifications
Housing Metal Thickness = 18 GA.
Approximate Weight = 220 lbs.

Table with columns for CFM / BHP @ Static Pressure / Sones (1/8 to 2-1/4) and rows for Drive Range (DP 47 to DP 53) with RPM, HP, and Tip Speed values.

Performance certified is for installation type B - free inlet, ducted outlet.
Power Ratings (BHP) does not include drive losses.
Performance ratings do not include the effects of appurtenances in the airstream.

The sound ratings shown are loudness values in fan sones @ 5' (1.5m) in a hemispherical free field calculated per AMCA Standard 301. Values shown are for installation type A - free inlet fan sone levels.

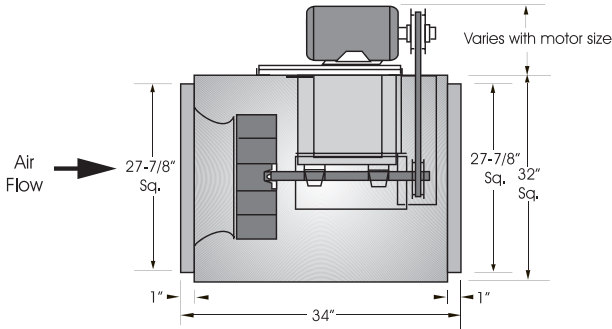


JencoFan, Div. of Soler & Palau Ventilation Group, certifies that the Models SQB shown herein are licensed to bear the AMCA Seal. The ratings shown are based on test and procedures performed in accordance with AMCA Publication 211 and AMCA Publication 311 and comply with the requirement of the AMCA Certified Ratings Program.





SQBHP 20



Outlet Velocity = CFM x 0.18
Tip Speed = RPM x 5.629
Maximum Motor Frame Size = 184T
Maximum RPM = 1440
Maximum BHP at a Given RPM = (RPM/988)^3

Unit Specifications
Housing Metal Thickness = 18 GA.
Approximate Weight = 220 lbs.

Table with columns: CFM / BHP @ Static Pressure / Sones (3/4, 1, 1-1/4, 1-1/2, 1-3/4, 2, 2-1/4, 2-1/2, 2-3/4), Drive Range (DP-54 to DP-58), RPM, HP, Tip Speed.

Performance certified is for installation type B - free inlet, ducted outlet. Power Ratings (BHP) does not include drive losses. Performance ratings do not include the effects of appurtenances in the airstream.

The sound ratings shown are loudness values in fan sones @ 5' (1.5m) in a hemispherical free field calculated per AMCA Standard 301. Values shown are for installation type A - free inlet fan sone levels.

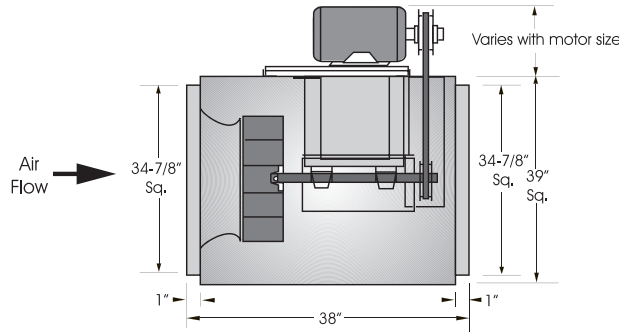


JencoFan, Div. of Soler & Palau Ventilation Group, certifies that the Models SQB shown herein are licensed to bear the AMCA Seal. The ratings shown are based on test and procedures performed in accordance with AMCA Publication 211 and AMCA Publication 311 and comply with the requirement of the AMCA Certified Ratings Program.





SQB 24



Outlet Velocity = CFM x 0.11
Tip Speed = RPM x 6.48
Maximum Motor Frame Size = 215T
Maximum RPM = 1235
Maximum BHP at a Given RPM = (RPM/711)³

Unit Specifications
Housing Metal Thickness = 18 GA.
Approximate Weight = 320 lbs.

Table with columns: CFM / BHP @ Static Pressure / Sones (1/8 to 2-1/4), Drive Range (DP 59 to DP 65), RPM, HP, Tip Speed. Rows list performance data for various fan models.

Performance certified is for installation type B - free inlet, ducted outlet. Power Ratings (BHP) does not include drive losses. Performance ratings do not include the effects of appurtenances in the airstream.

The sound ratings shown are loudness values in fan sones @ 5' (1.5m) in a hemispherical free field calculated per AMCA Standard 301. Values shown are for installation type A - free inlet fan sone levels.

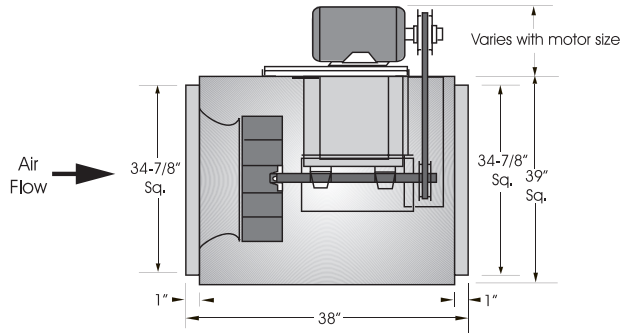


JencoFan, Div. of Soler & Palau Ventilation Group, certifies that the Models SQB shown herein are licensed to bear the AMCA Seal. The ratings shown are based on test and procedures performed in accordance with AMCA Publication 211 and AMCA Publication 311 and comply with the requirement of the AMCA Certified Ratings Program.





SQBHP 24



Outlet Velocity = CFM x 0.11
Tip Speed = RPM x 6.48
Maximum Motor Frame Size = 215T
Maximum RPM = 1515
Maximum BHP at a Given RPM = (RPM/774)³

Unit Specifications
Housing Metal Thickness = 18 GA.
Approximate Weight = 320 lbs.

Table with columns for CFM / BHP @ Static Pressure / Sones (3/4, 1, 1-1/4, 1-1/2, 1-3/4, 2, 2-1/4, 2-1/2, 2-3/4, 3, 3-1/4, 3-1/2), Drive Range (DP 66, DP 67, DP 68, DP 69, DP 70, DP 71), RPM, HP, and Tip Speed. Rows list various model numbers and their corresponding performance metrics.

Performance certified is for installation type B - free inlet, ducted outlet.
Power Ratings (BHP) does not include drive losses.
Performance ratings do not include the effects of appurtenances in the airstream.

The sound ratings shown are loudness values in fan sones @ 5' (1.5m) in a hemispherical free field calculated per AMCA Standard 301. Values shown are for installation type A - free inlet fan sone levels.

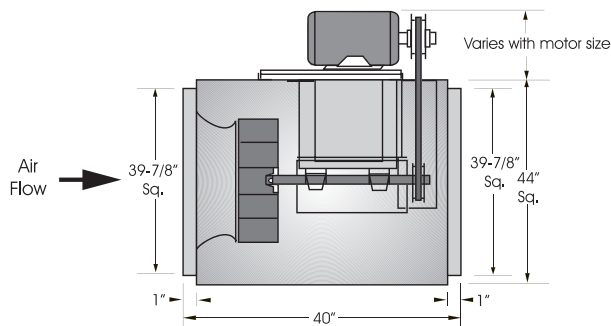


JencoFan, Div. of Soler & Palau Ventilation Group, certifies that the Models SQB shown herein are licensed to bear the AMCA Seal. The ratings shown are based on test and procedures performed in accordance with AMCA Publication 211 and AMCA Publication 311 and comply with the requirement of the AMCA Certified Ratings Program.





SQB 30



- Outlet Velocity = CFM x 0.09
- Tip Speed = RPM x 8.017
- Maximum Motor Frame Size = 215T
- Maximum RPM = 1000
- Maximum BHP at a Given RPM = (RPM/510)³

- Unit Specifications
- Housing Metal Thickness = 16 GA.
- Approximate Weight = 420 lbs.

CFM / BHP @ Static Pressure / Sones											Drive Range	RPM	HP	Tip Speed	
1/8	1/4	3/8	1/2	5/8	3/4	1	1-1/4	1-1/2	1-3/4	2					2-1/4
5919	5239	4395	-	-	-	-	-	-	-	-	-	DP 72	425	3/4	3407
.53/7.6	.57/7.1	.58/6.4	-	-	-	-	-	-	-	-	-				
6341	5711	4978	3879	-	-	-	-	-	-	-	-	DP 73	450	3/4	3608
.63/8.5	.67/8.0	.69/7.3	.65/6.5	-	-	-	-	-	-	-	-				
6675	6079	5408	4526	-	-	-	-	-	-	-	-	DP 74	470	3/4	3768
.71/9.3	.75/8.8	.78/8.1	.77/7.3	-	-	-	-	-	-	-	-				
7174	6619	6017	5300	4214	-	-	-	-	-	-	-	DP 75	500	1	4009
.85/10.6	.90/10.0	.93/9.5	.94/8.6	.89/7.8	-	-	-	-	-	-	-				
7503	6972	6406	5757	4900	-	-	-	-	-	-	-	DP 76	520	1	4169
.95/11.6	1.00/10.9	1.04/10.4	1.06/9.6	1.04/8.7	-	-	-	-	-	-	-				
7995	7496	6973	6397	5707	4707	-	-	-	-	-	-	DP 77	550	1-1/2	4410
1.12/13.0	1.17/12.4	1.22/11.9	1.25/11.2	1.25/10.2	1.19/9.4	-	-	-	-	-	-				
8403	7926	7433	6901	6294	5525	-	-	-	-	-	-	DP 78	575	1-1/2	4610
1.28/14.3	1.33/13.7	1.38/13.2	1.42/12.6	1.43/11.7	1.41/10.7	-	-	-	-	-	-				
8646	8182	7705	7196	6625	5935	-	-	-	-	-	-	DP 79	590	1-1/2	4730
1.37/15.1	1.43/14.5	1.48/14.0	1.52/13.4	1.55/12.5	1.54/11.6	-	-	-	-	-	-				
9212	8775	8330	7863	7358	6784	5002	-	-	-	-	-	DP 80	625	2	5011
1.63/16.8	1.69/16.3	1.75/15.8	1.79/15.3	1.83/14.7	1.84/13.7	1.69/11.8	-	-	-	-	-				
9615	9195	8770	8328	7857	7337	5958	-	-	-	-	-	DP 81	650	2	5211
1.82/17.9	1.89/17.4	1.95/16.9	2.00/16.4	2.04/15.9	2.07/15.0	2.01/13.2	-	-	-	-	-				
10417	10027	9635	9233	8815	8369	7324	5651	-	-	-	-	DP 82	700	3	5612
2.27/20	2.34/19.5	2.40/19.0	2.47/18.6	2.52/18.2	2.56/17.8	2.58/16.0	2.38/14.4	-	-	-	-				
10817	10440	10062	9677	9279	8860	7909	6605	-	-	-	-	DP 83	725	3	5813
2.51/21	2.59/21	2.66/20	2.72/19.7	2.78/19.3	2.83/18.9	2.88/17.4	2.78/15.9	-	-	-	-				
11215	10851	10487	10116	9736	9339	8461	7349	5116	-	-	-	DP 84	750	3	6013
2.78/22	2.85/22	2.93/21	3.00/21	3.06/20	3.11/20	3.18/18.9	3.15/17.4	2.65/16.0	-	-	-				
12010	11669	11327	10983	10632	10271	9497	8601	7420	-	-	-	DP 85	800	5	6414
3.36/25	3.44/24	3.52/24	3.60/24	3.67/23	3.73/23	3.83/22	3.86/20	3.76/19.1	-	-	-				
12407	12075	11744	11412	11074	10727	9993	9165	8144	6529	-	-	DP 86	825	5	6615
3.68/26	3.76/26	3.85/25	3.92/25	4.00/25	4.07/24	4.18/24	4.24/22	4.19/21	3.86/19.3	-	-				
12803	12481	12160	11837	11511	11178	10478	9704	8791	7552	-	-	DP 87	850	5	6815
4.02/27	4.10/27	4.19/27	4.27/26	4.35/26	4.42/26	4.54/25	4.62/24	4.62/22	4.45/21	-	-				
13198	12885	12573	12260	11945	11623	10953	10224	9390	8344	6595	-	DP 88	875	5	7015
4.38/29	4.47/28	4.56/28	4.64/28	4.72/27	4.80/27	4.93/26	5.03/25	5.06/24	4.96/22	4.48/21	-				
13356	13046	12738	12429	12117	11800	11141	10428	9620	8629	7128	-	DP 89	885	5	7096
4.53/29	4.62/29	4.71/29	4.79/28	4.88/28	4.95/28	5.09/27	5.19/26	5.23/25	5.16/23	4.80/22	-				
13987	13691	13396	13100	12803	12503	11883	11224	10500	9665	8607	6796	DP 90	925	7 1/2	7416
5.16/32	5.26/32	5.35/31	5.44/31	5.53/30	5.61/30	5.76/29	5.89/29	5.96/27	5.96/26	5.82/24	5.21/23				
14381	14092	13805	13518	13229	12937	12339	11708	11025	10256	9332	8049	DP 91	950	7 1/2	7617
5.58/34	5.68/33	5.78/33	5.87/32	5.96/32	6.05/32	6.21/31	6.35/30	6.44/29	6.47/28	6.40/26	6.09/25				
14775	14493	14213	13933	13652	13369	12790	12184	11535	10819	9988	8936	DP 92	975	7 1/2	7817
6.03/35	6.13/35	6.23/35	6.33/34	6.42/34	6.51/33	6.68/33	6.83/32	6.94/31	6.99/29	6.97/28	6.79/27				
15168	14893	14620	14347	14074	13798	13237	12654	12034	11360	10599	9686	DP 93	1000	7 1/2	8018
6.50/37	6.61/37	6.71/36	6.81/36	6.91/35	7.00/35	7.18/34	7.33/34	7.45/33	7.53/31	7.54/30	7.44/28				

Performance certified is for installation type B - free inlet, ducted outlet.
 Power Ratings (BHP) does not include drive losses.
 Performance ratings do not include the effects of appurtenances in the airstream.

The sound ratings shown are loudness values in fan sones @ 5' (1.5m) in a hemispherical free field calculated per AMCA Standard 301. Values shown are for installation type A - free inlet fan sone levels.

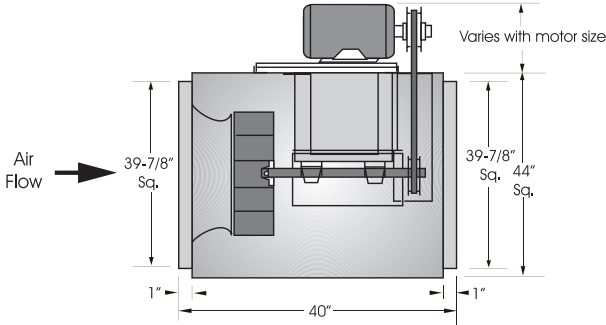


JencoFan, Div. of Soler & Palau Ventilation Group, certifies that the Models SQB shown herein are licensed to bear the AMCA Seal. The ratings shown are based on test and procedures performed in accordance with AMCA Publication 211 and AMCA Publication 311 and comply with the requirement of the AMCA Certified Ratings Program.





SQBHP 30



Outlet Velocity = CFM x 0.09
Tip Speed = RPM x 8.017
Maximum Motor Frame Size = 215T
Maximum RPM = 1120
Maximum BHP at a Given RPM = (RPM/572)³

Unit Specifications
Housing Metal Thickness = 16 GA.
Approximate Weight = 420 lbs.

Table with columns for CFM / BHP @ Static Pressure / Sones (3/4, 1, 1-1/4, 1-1/2, 1-3/4, 2, 2-1/4, 2-1/2, 2-3/4, 3, 3-1/4, 3-1/2), Drive Range (DP 79, DP 80, DP 81, DP 82, DP 83), RPM, HP, and Tip Speed. Rows list various model numbers and their corresponding performance metrics.

Performance certified is for installation type B - free inlet, ducted outlet.
Power Ratings (BHP) does not include drive losses.
Performance ratings do not include the effects of appurtenances in the airstream.

The sound ratings shown are loudness values in fan sones @ 5' (1.5m) in a hemispherical free field calculated per AMCA Standard 301. Values shown are for installation type A - free inlet fan sone levels.

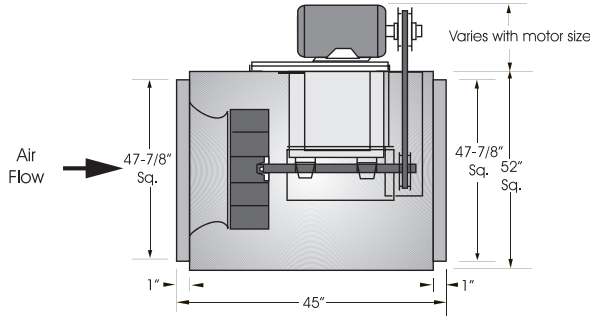


JencoFan, Div. of Soler & Palau Ventilation Group, certifies that the Models SQB shown herein are licensed to bear the AMCA Seal. The ratings shown are based on test and procedures performed in accordance with AMCA Publication 211 and AMCA Publication 311 and comply with the requirement of the AMCA Certified Ratings Program.





SQB 36



Outlet Velocity = CFM x 0.06
Tip Speed = RPM x 9.344
Maximum Motor Frame Size = 215T
Maximum RPM = 725
Maximum BHP at a Given RPM = (RPM/375)³

Unit Specifications
Housing Metal Thickness = 16 GA.
Approximate Weight = 600 lbs.

Table with columns: CFM / BHP @ Static Pressure / Sones (1/8 to 2), Drive Range (DP 84-89), RPM, HP, Tip Speed. Rows list performance data for various fan models.

Performance certified is for installation type B - free inlet, ducted outlet.
Power Ratings (BHP) does not include drive losses.
Performance ratings do not include the effects of appurtenances in the airstream.

The sound ratings shown are loudness values in fan sones @ 5' (1.5m) in a hemispherical free field calculated per AMCA Standard 301. Values shown are for installation type A - free inlet fan sone levels.

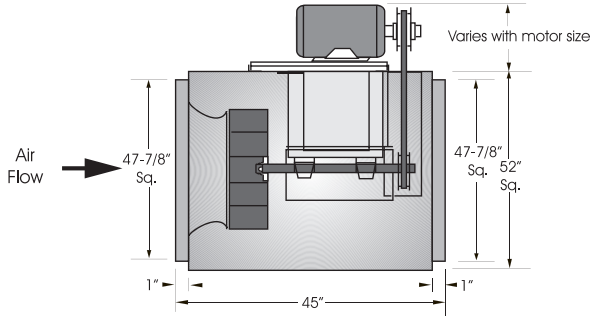


JencoFan, Div. of Soler & Palau Ventilation Group, certifies that the Models SQB shown herein are licensed to bear the AMCA Seal. The ratings shown are based on test and procedures performed in accordance with AMCA Publication 211 and AMCA Publication 311 and comply with the requirement of the AMCA Certified Ratings Program.





SQBHP 36



Outlet Velocity = CFM x 0.06
 Tip Speed = RPM x 9.344
 Maximum Motor Frame Size = 215T
 Maximum RPM = 840
 Maximum BHP at a Given RPM = (RPM/426)³

Unit Specifications
 Housing Metal Thickness = 16 GA.
 Approximate Weight = 600 lbs.

CFM / BHP @ Static Pressure / Sones								Drive Range	RPM	HP	Tip Speed
3/4	1	1-1/4	1-1/2	1-3/4	2	2-1/4	2-1/2				
5958	-	-	-	-	-	-	-	DP 91	475	1-1/2	4430
1.32/10.3	-	-	-	-	-	-	-				
6880	-	-	-	-	-	-	-	DP 92	495	1-1/2	4617
1.55/11.2	-	-	-	-	-	-	-				
7969	-	-	-	-	-	-	-	DP 93	525	2	4896
1.87/12.7	-	-	-	-	-	-	-				
8761	6961	-	-	-	-	-	-	DP 94	550	2	5130
2.15/14.0	2.05/13.4	-	-	-	-	-	-				
9495	8081	-	-	-	-	-	-	DP 95	575	3	5363
2.44/15.3	2.43/14.6	-	-	-	-	-	-				
10192	8992	6855	-	-	-	-	-	DP 96	600	3	5596
2.75/16.7	2.79/16.0	2.53/15.6	-	-	-	-	-				
10863	9806	8278	-	-	-	-	-	DP 97	625	3	5829
3.08/18.2	3.15/17.5	3.07/16.8	-	-	-	-	-				
11514	10561	9310	6845	-	-	-	-	DP 98	650	5	6062
3.43/19.5	3.53/18.8	3.53/18.2	3.06/18.0	-	-	-	-				
12150	11276	10195	8598	-	-	-	-	DP 99	675	5	6295
3.81/21	3.93/20	3.97/19.6	3.81/19.1	-	-	-	-				
12773	11964	11001	9728	7136	-	-	-	DP 100	700	5	6529
4.21/22	4.35/22	4.43/21	4.37/20	3.74/20	-	-	-				
13386	12631	11756	10671	9070	-	-	-	DP 101	725	5	6762
4.64/24	4.80/23	4.91/22	4.91/22	4.68/21	-	-	-				
13508	12762	11903	10847	9334	-	-	-	DP 102	730	5	6808
4.73/24	4.89/23	5.00/23	5.02/22	4.82/22	-	-	-				
13750	13023	12192	11188	9817	-	-	-	DP 103	740	5	6902
4.91/24	5.08/24	5.20/23	5.24/23	5.10/22	-	-	-				
14589	13918	13169	12304	11235	9693	-	-	DP 104	775	7 1/2	7228
5.58/27	5.77/26	5.92/25	6.01/25	5.99/24	5.72/24	-	-				
15181	14544	13842	13048	12108	10889	8781	-	DP 105	800	7 1/2	7461
6.10/28	6.30/27	6.47/27	6.58/26	6.62/26	6.49/25	5.86/25	-				
15768	15160	14499	13763	12915	11881	10442	-	DP 106	825	7 1/2	7694
6.64/30	6.86/29	7.04/28	7.18/28	7.26/27	7.22/27	6.93/26	-				
16117	15526	14887	14180	13378	12422	11174	8932	DP 107	840	7 1/2	7834
6.98/31	7.21/30	7.40/29	7.56/29	7.65/28	7.65/28	7.46/27	6.65/27				

Performance certified is for installation type B - free inlet, ducted outlet.
 Power Ratings (BHP) does not include drive losses.
 Performance ratings do not include the effects of appurtenances in the airstream.

The sound ratings shown are loudness values in fan sones @ 5' (1.5m) in a hemispherical free field calculated per AMCA Standard 301. Values shown are for installation type A - free inlet fan sone levels.

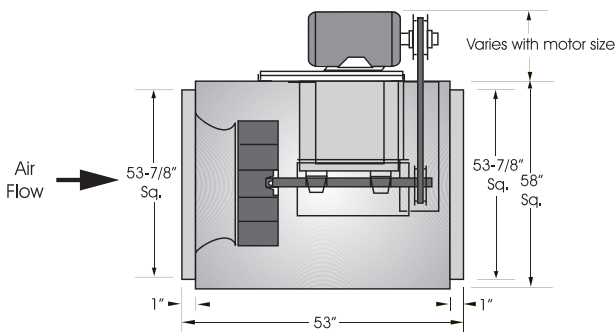


JencoFan, Div. of Soler & Palau Ventilation Group, certifies that the Models SQB shown herein are licensed to bear the AMCA Seal. The ratings shown are based on test and procedures performed in accordance with AMCA Publication 211 and AMCA Publication 311 and comply with the requirement of the AMCA Certified Ratings Program.





SQB 42



- Outlet Velocity = CFM x 0.04
- Tip Speed = RPM x 10.995
- Maximum Motor Frame Size = 215T
- Maximum RPM = 565
- Maximum BHP at a Given RPM = (RPM/289)³

Unit Specifications

- Housing Metal Thickness = 16 GA.
- Approximate Weight = 725 lbs.

CFM / BHP @ Static Pressure / Sones								Drive Range	RPM	HP	Tip Speed		
1/8	1/4	3/8	1/2	5/8	3/4	1	1-1/4						
11079 .96/7.9	8897 .94/8.3	-	-	-	-	-	-	DP 97	285	2	3134		
12360 1.23/9.6	10509 1.23/10.2	7767 1.13/10.9	-	-	-	-	-		310	2	3409		
13114 1.41/10.4	11406 1.42/11.1	9110 1.36/11.7	-	-	-	-	-		325	2	3574		
14353 1.76/11.6	12829 1.77/12.2	10961 1.74/12.8	8114 1.58/13.5	-	-	-	-		350	2	3848		
14843 1.91/12.1	13379 1.93/12.6	11629 1.91/13.3	9169 1.78/13.9	-	-	-	-		360	2	3958		
15087 1.99/12.4	13651 2.01/12.9	11953 1.99/13.5	9638 1.88/14.1	-	-	-	-		365	2	4013		
15573 2.16/12.9	14190 2.18/13.4	12583 2.17/14.0	10497 2.08/14.6	6669 1.71/15.4	-	-	-		DP 98	375	3	4123	
16299 2.42/13.7	14986 2.45/14.2	13494 2.45/14.7	11656 2.38/15.3	8917 2.17/16.0	-	-	-			390	3	4288	
17498 2.91/15.1	16287 2.95/15.5	14945 2.96/15.9	13383 2.92/16.5	11381 2.80/17.2	8066 2.42/17.8	-	-			415	3	4563	
17737 3.02/15.4	16543 3.06/15.7	15228 3.07/16.2	13708 3.03/16.8	11796 2.93/17.4	8831 2.60/18.0	-	-			420	3	4618	
18213 3.24/16.0	17054 3.28/16.3	15786 3.29/16.8	14342 3.27/17.3	12581 3.18/17.9	10091 2.94/18.5	-	-	430		5	4728		
18925 3.59/17.0	17813 3.63/17.2	16609 3.65/17.7	15262 3.63/18.2	13676 3.57/18.8	11618 3.40/19.3	-	-	DP 99		445	5	4893	
20106 4.22/18.8	19064 4.27/19.0	17950 4.29/19.3	16732 4.29/19.7	15353 4.25/20	13703 4.15/21	7488 3.17/22	-			470	5	5168	
21046 4.77/21	20053 4.83/21	19001 4.86/21	17865 4.87/21	16607 4.84/22	15158 4.77/22	10870 4.24/23	-			490	5	5388	
21281 4.92/21	20299 4.97/21	19261 5.01/22	18144 5.02/22	16911 5.00/22	15503 4.93/23	11477 4.46/24	-			DP 100	495	5	5443
22683 5.86/24	21765 5.92/24	20803 5.96/24	19782 5.99/25	18680 5.98/25	17463 5.94/26	14401 5.67/27	8269 4.39/28				525	7 1/2	5773
23615 6.55/26	22734 6.62/26	21816 6.66/26	20849 6.69/27	19815 6.70/27	18692 6.68/28	15997 6.48/29	11784 5.76/30		545		7 1/2	5993	
24312 7.11/28	23457 7.17/28	22569 7.22/28	21638 7.26/28	20649 7.27/29	19584 7.25/30	17095 7.10/31	13563 6.57/32		560		7 1/2	6158	
24544 7.30/28	23697 7.36/28	22819 7.42/28	21899 7.45/29	20924 7.47/30	19877 7.45/30	17447 7.31/31	14082 6.83/33		565		7 1/2	6212	

Performance certified is for installation type B - free inlet, ducted outlet.
 Power Ratings (BHP) does not include drive losses.
 Performance ratings do not include the effects of appurtenances in the airstream.

The sound ratings shown are loudness values in fan sones @ 5' (1.5m) in a hemispherical free field calculated per AMCA Standard 301. Values shown are for installation type A - free inlet fan sone levels.



JencoFan, Div. of Soler & Palau Ventilation Group, certifies that the Models SQB & SQD shown herein are licensed to bear the AMCA Seal. The ratings shown are based on test and procedures performed in accordance with AMCA Publication 211 and AMCA Publication 311 and comply with the requirement of the AMCA Certified Ratings Program.



MODEL SQD & eSQD

DIRECT DRIVE SQUARE INLINE CENTRIFUGAL DUCT FAN



MODEL FEATURES

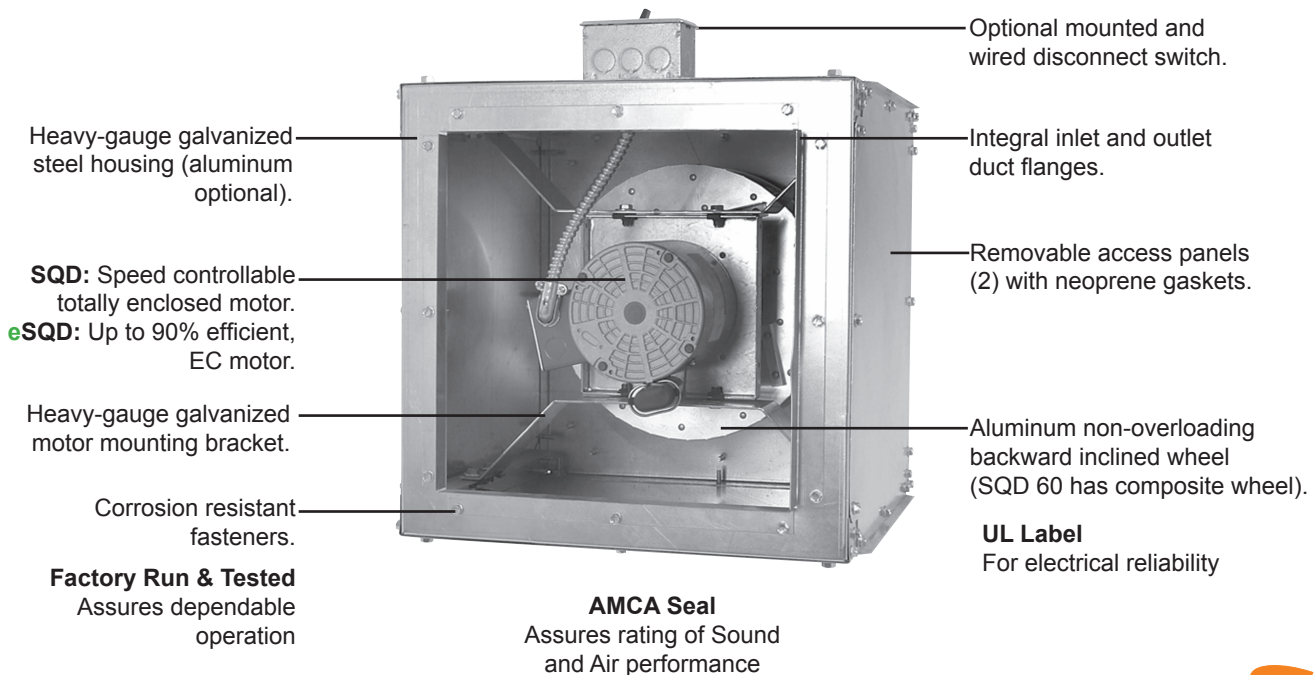
- Exhaust air up to 2,800 CFM in high static pressure applications up to 1" w.g.
- Direct drive units have low sound levels and quiet operation
- Ideal for applications where space is limited
- Non-overloading backward inclined wheel for efficiency at higher static pressures
- AMCA Air and Sound Licensed
- cULus 705 Listed

MODEL OVERVIEW

Model SQD fans are available in sizes 6 through 15, moving up to 2,800 CFM, with static pressure capabilities to 1". SQD units are the perfect selection for clean air applications where space is a leading consideration. The compact housing with removable access doors can be mounted in any orientation.

The eSQD comes with JencoFan's electronically commutated (EC) motor (eMotor) which offers the energy efficiency of a DC motor with the ease of maintenance of DD motors. The eMotor has a motor mounted potentiometer, and can be controlled by a 0-10V signal. Model eSQD is available in sizes 8, 10 and 12.

CONSTRUCTION FEATURES AND OPTIONS



Model SQD is available in our Quickship program. Sizes 6-15 are available for next day, 3-day or 10-day shipping from stock.

2 year fan housing warranty, 1 year motor warranty

All specifications are subject to change without notice unless approved in submittal by JencoFan.



CONSTRUCTION/SPECIFICATION CHECKLIST

Blower/Housing

- Aluminum, non-overloading, backward inclined centrifugal wheel statically and dynamically balanced. SQD 60 has composite wheel.
- Deep spun venturi inlet.
- Heavy-gauge galvanized steel housing.
- Integral inlet and outlet duct collars.
- Universal mounting - horizontal, vertical, or any angle.
- Easy access to interior of unit with removable side panels with closed cell neoprene gasketing
- Motor and wheel removable from unit without disconnecting duct.

Speed Controllable Motors (SQD)

- Brands are nationally recognized and locally serviced.
- Standard motors are single speed, speed controllable and totally enclosed.
- All motors are rated for continuous duty.
- Disconnect is standard with totally enclosed motors.
- Motors ship mounted as standard.

Electronically Commutated Motors (eSQD)

- Brands are nationally recognized and locally serviced.
- Motor mounted potentiometer for easy speed adjustment.
- Easy speed control by DC 0-10 V variation.
- Motor has 80% usable turndown vs. 30% on a PSC motor.
- Internal motor circuitry converts 115V single phase AC power to DC voltage for increased efficiencies.
- All motors are rated for continuous duty.
- Motor is 115V and 60 Hz.
- Disconnect is standard.
- Motors ship mounted as standard.

Certifications

- AMCA - the AMCA Seal on all units assures certified rating of air and sound performance.
- cULus - most models are available as listed by Underwriters Laboratories under Standard 705 when specified.



eMotor - Electronically Commutated Motor

JencoFan's eMotor is 115V and 60 Hz and is available in 1/4, 1/3 and 1/2 HP. This fully controllable motor offers both reliability and low maintenance in one of the most efficient motor fan combinations in the industry.

When used in JencoFan's eSQD inline fan, the eMotor is the ideal solution for a low cost, fully controlled ventilation system. This motor in the eSQD can move air volumes up to 2,300 CFM, equal to that of a belt drive fan, with all the benefits and low maintenance of a direct drive fan.

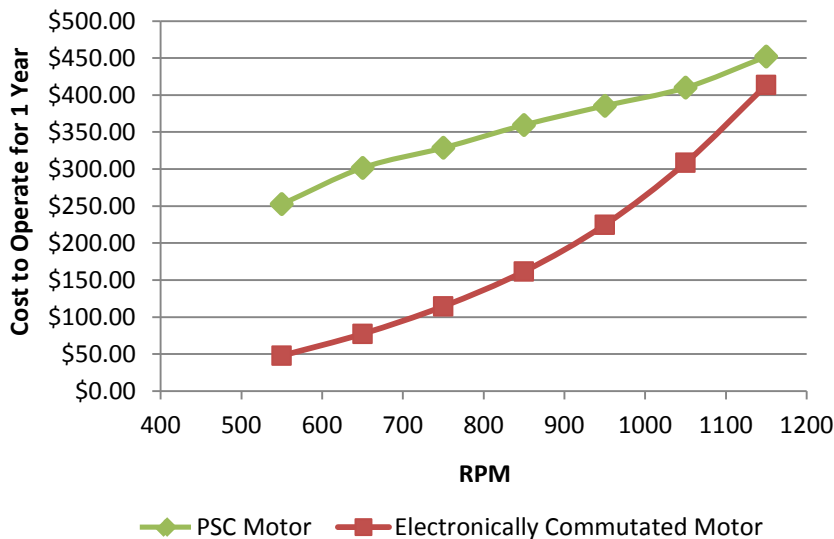


Features and Advantages

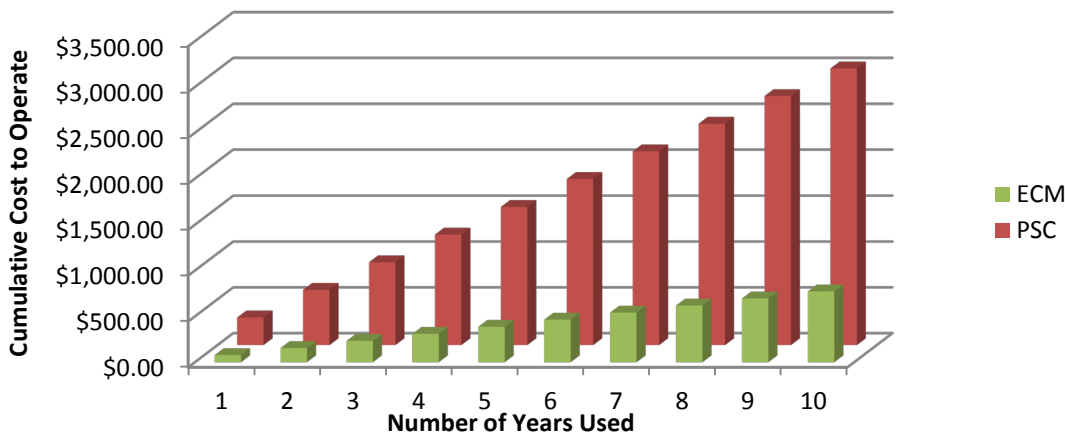
- Motor mounted potentiometer for easy speed adjustment.
- Easy speed control by DC 0-10 V variation.
- Motor has 80% usable turndown vs. 30% on a PSC motor.
- Internal motor circuitry converts 115V single phase AC power to DC voltage for increased efficiencies.
- Motor is 115V and 60 Hz.
- cULus 705 Listing.

Energy Savings = \$ Savings

eSQD with 1/2 HP Motor - Continuous Ventilation



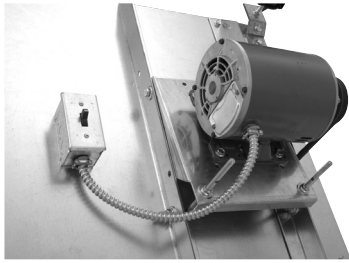
Cost to Operate Motors @ 650 RPM Continuous Ventilation



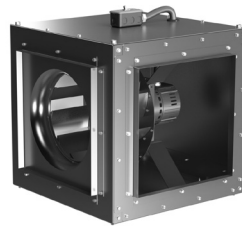


OPTIONS/ACCESSORIES

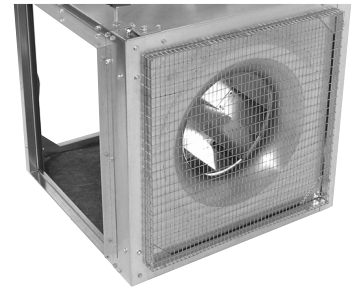
Mounted and Wired Disconnect



Side Discharge



Inlet/Outlet Guard



**Hanging Bracket/
Mounting Foot with
Hanging Spring Isolator**



Hanging Spring Isolators



**Hanging Rubber in
Shear Isolators**



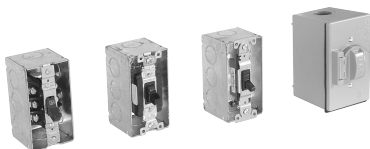
Backdraft Damper



Insulated Housing



Assorted Disconnects



Speed Controls

For SQD models only, not compatible with eSQD



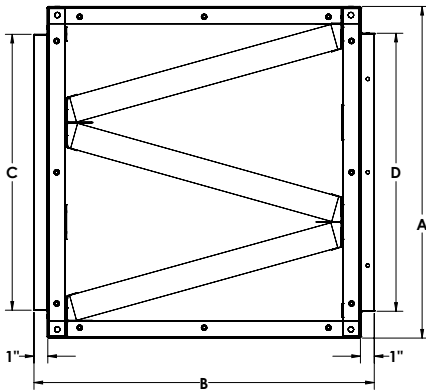


FILTER BOX OPTIONS



Features

- Designed for use with SQD Fans
- Designed to handle 1" or 2" filters
- Galvanized or aluminum construction
- Standard filter is washable aluminum
- MERV 7 (1") or MERV 8 (2") disposable pleated filters available by special quote
- Removable side panels for easy access to filters



Dimensions - Filter Box with 1" Aluminum Filters

Fan Size	Filter Box Dimensions				Avg. Ship Wgt. (lbs)		No. of Filters	1" Filter Nominal Size
	A	B	C	D	Galv.	Alum.		
06	12	17-3/16	8-7/8	9	16	8	1	11x14x1
07-08	15	25	11-7/8	12	28	15	2	15x20x1
10	18	24-1/2	13-7/8	14	35	17	2	16x20x1
12	22	29-1/8	15-7/8	16	48	24	2	20x25x1
15	24	24-5/8	19-7/8	20	49	24	3	20x25x1

Dimensions - Filter Box with 2" Aluminum Filters

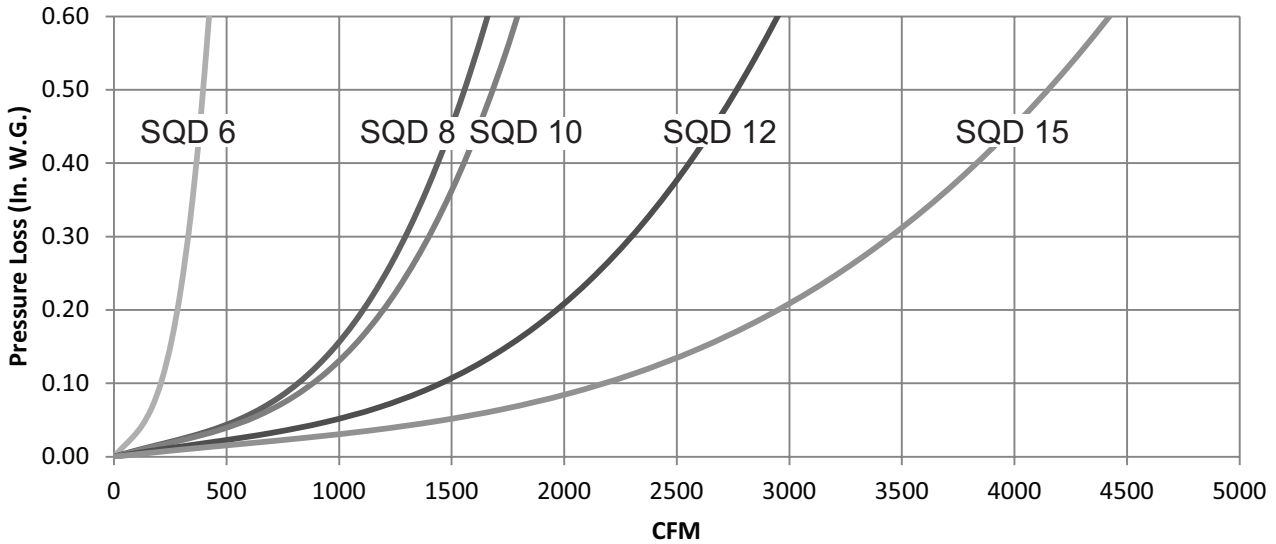
Fan Size	Filter Box Dimensions				Avg. Ship Wgt. (lbs)		No. of Filters	2" Filter Nominal Size
	A	B	C	D	Galv.	Alum.		
06	12	17-3/16	8-7/8	9	17	9	1	11x14x2
07-08	15	25	11-7/8	12	29	16	2	15x20x2
10	18	24-1/2	13-7/8	14	37	19	2	16x20x2
12	22	29-1/8	15-7/8	16	52	27	2	20x25x2
15	24	24-5/8	19-7/8	20	51	26	3	20x25x2



FILTER BOX OPTIONS Cont.

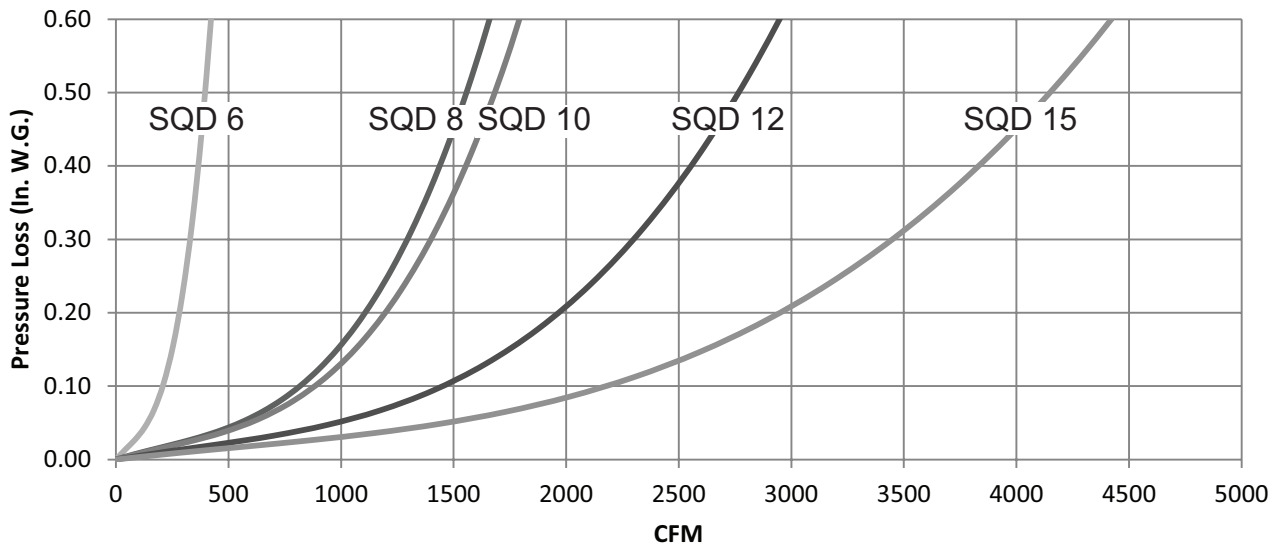
PRESSURE LOSS GUIDE FOR 1" FILTER BOX

Use the estimated pressure drop graphs to help select the proper fan that will deliver the desired airflow. Enter the graph from the bottom at the specified CFM and move vertically upward to the fan curve for the desired size, then horizontally to the left and read the estimated static pressure drop resulting from these typical accessory packages. Add the accessory pressure loss to the system (or building) design static pressure loss to obtain the total static pressure loss to be used for the proper fan selection.



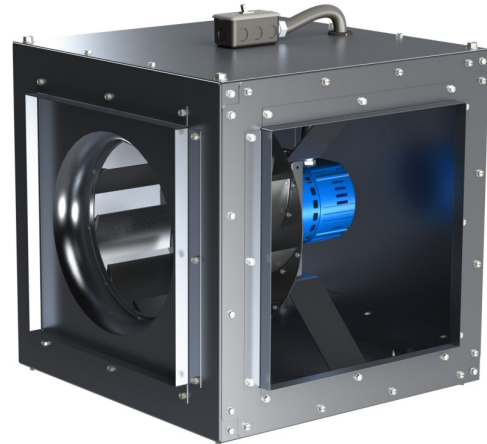
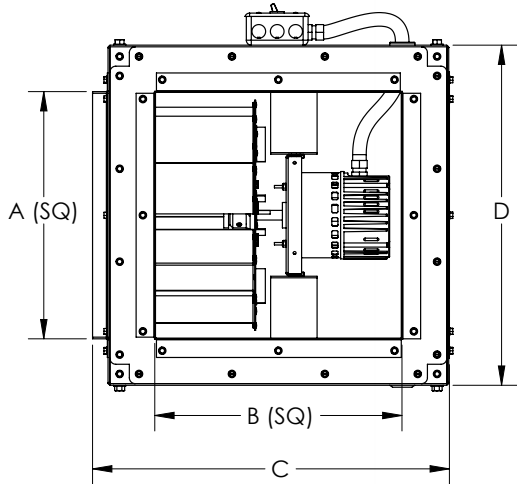
PRESSURE LOSS GUIDE FOR 2" FILTER BOX

Use the estimated pressure drop graphs to help select the proper fan that will deliver the desired airflow. Enter the graph from the bottom at the specified CFM and move vertically upward to the fan curve for the desired size, then horizontally to the left and read the estimated static pressure drop resulting from these typical accessory packages. Add the accessory pressure loss to the system (or building) design static pressure loss to obtain the total static pressure loss to be used for the proper fan selection.





SIDE DISCHARGE OPTION



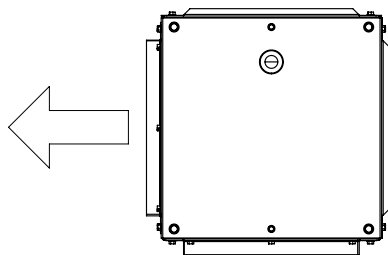
Side Discharge Dimensions

MODEL	A (IN)	B (IN)	C (IN)	D (IN)
SQD 60	8-7/8	8-7/8	13-3/4	13
SQD 610	8-7/8	8-7/8	13-3/4	13
SQD 8125	11-7/8	17-7/8	16-3/4	16
SQD 825	11-7/8	17-7/8	16-3/4	16
SQD 1025	13-7/8	13-7/8	19-3/4	19
SQD 1050	13-7/8	13-7/8	19-3/4	19
SQD 1225	15-7/8	15-7/8	23	23
SQD 1250	15-7/8	15-7/8	23	23
SQD 1550	19-7/8	19-7/8	28-3/8	28

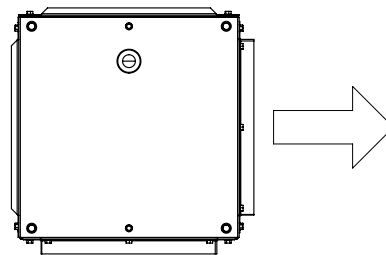
Side Discharge Directions

SIDE DISCHARGE LEFT

SIDE DISCHARGE RIGHT



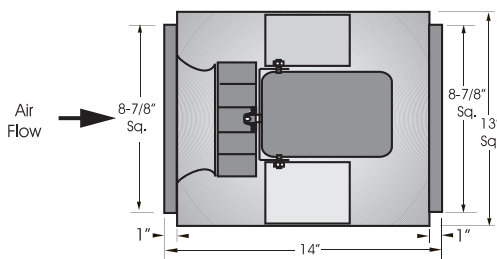
AIRFLOW



AIRFLOW



PERFORMANCE/DIMENSIONS



Unit Specifications

- 18 Ga. galvanized housing.
- Approximate unit weight 30 lbs.
- Aluminum backward inclined wheel. (SQD 60 has composite wheel)
- Removable access panels.
- Integral inlet & outlet duct collars.
- AMCA Licensed Air & Sound.
- Disconnect switch.
- Universal/any angle mounting.

SQD 60

Motor HP	CFM / Sones @ Static Pressure								RPM
	0	1/8	1/4	3/8	1/2	5/8	3/4	1	
100 WATT 2700 RPM	151	93	-	-	-	-	-	-	950
	1.9	1.0	-	-	-	-	-	-	
	199	162	102	-	-	-	-	-	1250
	3.4	2.5	2.2	-	-	-	-	-	
.95 Max Amps @ 115/60/1	238	208	174	116	-	-	-	-	1500
	4.6	3.7	3.5	3.4	-	-	-	-	
	294	269	245	215	170	130	-	-	1850
	6.6	5.6	5.4	5.3	5.2	5.1	-	-	
	334	312	290	268	240	201	158	-	2100
	8.1	7.1	6.8	6.7	6.6	6.5	6.5	-	
	382	362	343	324	304	281	250	176	2400
	10.1	9.2	8.6	8.5	8.5	8.4	8.3	8.3	
	424	406	389	372	355	337	316	257	2700*
	12.0	11.1	10.4	10.3	10.2	10.2	10.1	10.0	

SQD 610

Motor HP	CFM / BHP / Sones @ Static Pressure					RPM
	0	1/8	1/4	3/8	1/2	
1/10 HP 1550 RPM	198	109	-	-	-	950
	.01/2.3	.01/1.8	-	-	-	
	229	158	-	-	-	1100
	.01/3.3	.01/3.0	-	-	-	
	260	200	115	-	-	1250
	.01/4.8	.01/4.6	.01/4.1	-	-	
	291	239	174	-	-	1400
	.01/5.8	.01/5.6	.01/5.2	-	-	
	322	276	222	150	-	1550
	.02/6.8	.02/6.7	.02/6.3	.02/5.9	-	
	343	300	251	190	-	1650
	.02/7.5	.02/7.3	.02/7.1	.02/6.7	-	
	357	316	269	214	137	1710*
	.03/8.0	.03/7.8	.03/7.6	.02/7.2	.02/6.8	



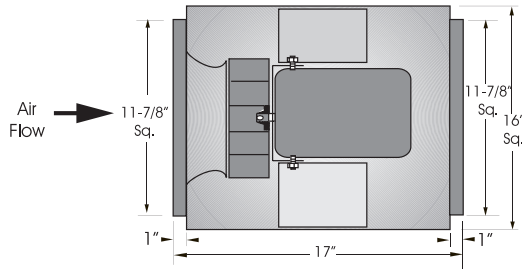
JencoFan, Div. of Soler & Palau Ventilation Group, certifies that the Models SQD shown herein are licensed to bear the AMCA Seal. The ratings shown are based on test and procedures performed in accordance with AMCA Publication 211 and AMCA Publication 311 and comply with the requirement of the AMCA Certified Ratings Program.



* Base Unit-AMCA seal for sound Rating does not apply to units with speed control installed.
 + RPM range capable with solid state speed control.
 Speed (RPM) shown is nominal. Performance is based on actual speed of test.

Performance certified is for installation type B - free inlet, ducted outlet.
 Power Ratings (BHP) does not include drive losses.
 Performance ratings do not include the effects of appurtenances in the airstream.

The sound ratings shown are loudness values in fan sones @ 5' (1.5m) in a hemispherical free field calculated per AMCA Standard 301. Values shown are for installation type A - free inlet fan sone levels.



Unit Specifications

- 18 Ga. galvanized housing.
- Approximate unit weight 60 lbs.
- Aluminum backward inclined wheel.
- Removable access panels.
- Integral inlet & outlet duct collars.
- AMCA Licensed Air & Sound.
- Disconnect switch.
- Universal/any angle mounting.

SQD 8125

Motor HP	CFM / BHP / Sones @ Static Pressure			RPM
	0	1/8	1/4	
1/25 HP 1050 RPM	329	149	-	700
	.01/1.6	.01/1.0	-	
	376	235	-	800
	.01/2.5	.02/1.8	-	
	423	304	-	900
	.02/3.3	.02/2.7	-	
	446	336	164	950
	.03/3.8	.03/3.1	.02/2.7	
	470	336	221	1000
	.03/4.2	.03/3.6	.03/3.1	
	493	396	267	1050
	.03/4.7	.03/4.1	.03/3.6	
	503	407	284	1070*
	.04/4.9	.04/4.3	.04/3.8	

SQD 825 / eSQD 825

Motor HP	CFM / BHP / Sones @ Static Pressure							RPM
	0	1/8	1/4	3/8	1/2	5/8	3/4	
1/4 HP 1625 RPM	352	202	-	-	-	-	-	750
	.01/2.2	.01/1.6	-	-	-	-	-	
	423	308	-	-	-	-	-	900
	.03/3.4	.03/2.8	-	-	-	-	-	
	493	398	276	-	-	-	-	1050
	.04/4.7	.04/4.1	.04/3.8	-	-	-	-	
	564	482	388	259	-	-	-	1200
	.06/6.4	.06/5.7	.06/5.4	.06/5.1	-	-	-	
	658	588	514	427	313	-	-	1400
	.09/8.3	.09/7.6	.09/7.2	.09/7.0	.09/6.7	-	-	
eSQD 1/4 HP 1725 RPM	728	665	600	528	444	335	-	1550
	.13/9.6	.13/9.0	.13/8.5	.13/8.3	.13/8.0	.13/7.8	-	
	820	763	706	646	580	504	412	1740*
	.18/11.7	.18/11.1	.18/10.5	.18/10.3	.18/10.0	.18/9.8	.18/9.6	



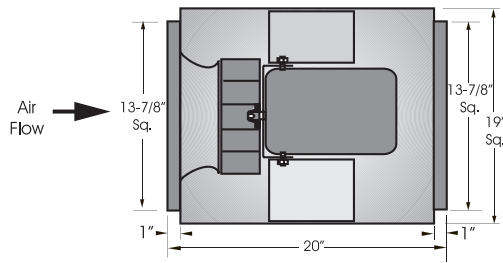
JencoFan, Div. of Soler & Palau Ventilation Group, certifies that the Models SQD shown herein are licensed to bear the AMCA Seal. The ratings shown are based on test and procedures performed in accordance with AMCA Publication 211 and AMCA Publication 311 and comply with the requirement of the AMCA Certified Ratings Program.



* Base Unit-AMCA seal for sound Rating does not apply to units with speed control installed.
 + RPM range capable with solid state speed control.
 Speed (RPM) shown is nominal. Performance is based on actual speed of test.

Performance certified is for installation type B - free inlet, ducted outlet.
 Power Ratings (BHP) does not include drive losses.
 Performance ratings do not include the effects of appurtenances in the airstream.

The sound ratings shown are loudness values in fan sones @ 5' (1.5m) in a hemispherical free field calculated per AMCA Standard 301. Values shown are for installation type A - free inlet fan sone levels.



Unit Specifications

- 18 Ga. galvanized housing.
- Approximate unit weight 75 lbs.
- Aluminum backward inclined wheel.
- Removable access panels.
- Integral inlet & outlet duct collars.
- AMCA Licensed Air & Sound.
- Disconnect switch.
- Universal/any angle mounting.

SQD 1025

Motor HP	CFM / BHP / Sones @ Static Pressure					RPM
	0	1/8	1/4	3/8	1/2	
1/4 HP 1075 RPM	562	305	-	-	-	600
	.02/2.3	.02/1.5	-	-	-	
	655	451	-	-	-	700
	.04/3.3	.04/2.7	-	-	-	
	749	575	-	-	-	800
	.05/4.5	.05/3.9	-	-	-	
	842	692	514	-	-	900
	.08/5.8	.08/5.2	.08/4.5	-	-	
	936	804	651	434	-	1000
	.10/7.1	.11/6.6	.11/6.0	.10/5.2	-	
983	858	714	547	-	1050	
.12/7.8	.12/7.2	.12/6.8	.12/6.0	-		
1076	964	836	698	473	1150*	
.16/9.2	.16/8.7	.16/8.3	.16/7.7	.16/7.0		

SQD 1050 / eSQD 1050

Motor HP	CFM / BHP / Sones @ Static Pressure								RPM
	0	1/8	1/4	3/8	1/2	5/8	3/4	1	
1/2 HP 1625 RPM	553	292	-	-	-	-	-	-	600
	.02/2.2	.02/1.5	-	-	-	-	-	-	
	738	567	321	-	-	-	-	-	800
	.04/4.2	.04/3.5	.03/3.1	-	-	-	-	-	
	968	845	703	524	-	-	-	-	1050
	.08/7.1	.09/6.4	.09/6.0	.08/5.6	-	-	-	-	
	1106	1000	883	748	584	-	-	-	1200
	.13/9.1	.13/8.5	.13/8.1	.13/7.7	.12/7.3	-	-	-	
	1245	1151	1050	940	815	667	-	-	1350
	.18/11.0	.19/10.5	.19/10.1	.19/9.6	.18/9.3	.18/8.9	-	-	
1337	1250	1158	1058	949	826	680	-	1450	
.22/12.3	.23/11.7	.23/11.2	.23/10.9	.23/10.6	.22/10.2	.21/9.9	-		
1521	1445	1366	1283	1194	1098	993	740	1650	
.33/15.2	.34/14.5	.34/13.9	.34/13.6	.34/13.2	.34/12.9	.33/12.6	.31/12.0		
1578	1505	1430	1350	1266	1175	1078	852	1710*	
.37/16.2	.38/15.4	.38/14.7	.38/14.4	.38/14.1	.38/13.8	.38/13.5	.36/13.0		

* Base Unit-AMCA seal for sound Rating does not apply to units with speed control installed.
 + RPM range capable with solid state speed control.
 Speed (RPM) shown is nominal. Performance is based on actual speed of test.

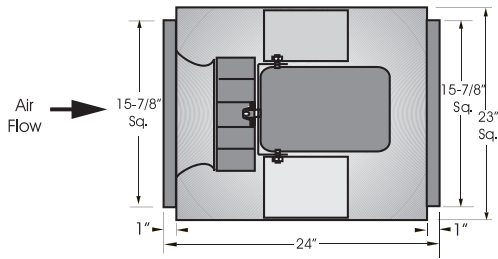
Performance certified is for installation type B - free inlet, ducted outlet.
 Power Ratings (BHP) does not include drive losses.
 Performance ratings do not include the effects of appurtenances in the airstream.

The sound ratings shown are loudness values in fan sones @ 5' (1.5m) in a hemispherical free field calculated per AMCA Standard 301. Values shown are for installation type A - free inlet fan sone levels.



JencoFan, Div. of Soler & Palau Ventilation Group, certifies that the Models SQD shown herein are licensed to bear the AMCA Seal. The ratings shown are based on test and procedures performed in accordance with AMCA Publication 211 and AMCA Publication 311 and comply with the requirement of the AMCA Certified Ratings Program.





Unit Specifications

- 18 Ga. galvanized housing.
• Approximate unit weight 90 lbs.
• Aluminum backward inclined wheel.
• Removable access panels.
• Integral inlet & outlet duct collars.
• AMCA Licensed Air & Sound.
• Disconnect switch.
• Universal/any angle mounting.

SQD 1225

Table with 7 columns: Motor HP, CFM / BHP / Sones @ Static Pressure (0, 1/8, 1/4, 3/8, 1/2), RPM. Rows include 1/4 HP and 1075 RPM configurations.

SQD 1250 / eSQD 1275

Table with 10 columns: Motor HP, CFM / BHP / Sones @ Static Pressure (0, 1/8, 1/4, 3/8, 1/2, 5/8, 3/4, 1), RPM. Rows include 1/2 HP and 1625 RPM configurations.

* Base Unit-AMCA seal for sound Rating does not apply to units with speed control installed.
+ RPM range capable with solid state speed control.
Speed (RPM) shown is nominal. Performance is based on actual speed of test.

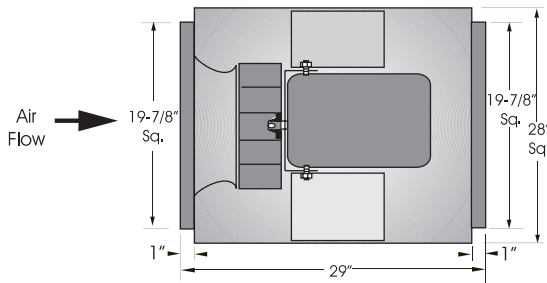
Performance certified is for installation type B - free inlet, ducted outlet.
Power Ratings (BHP) does not include drive losses.
Performance ratings do not include the effects of appurtenances in the airstream.

The sound ratings shown are loudness values in fan sones @ 5' (1.5m) in a hemispherical free field calculated per AMCA Standard 301. Values shown are for installation type A - free inlet fan sone levels.



JencoFan, Div. of Soler & Palau Ventilation Group, certifies that the Models SQD shown herein are licensed to bear the AMCA Seal. The ratings shown are based on test and procedures performed in accordance with AMCA Publication 211 and AMCA Publication 311 and comply with the requirement of the AMCA Certified Ratings Program.





Unit Specifications

- 18 Ga. galvanized housing.
- Approximate unit weight 120 lbs.
- Aluminum backward inclined wheel.
- Removable access panels.
- Integral inlet & outlet duct collars.
- AMCA Licensed Air & Sound.
- Disconnect switch.
- Universal/any angle mounting.

SQD 1550

Motor HP	CFM / BHP / Sones @ Static Pressure							RPM
	0	1/8	1/4	3/8	1/2	5/8	3/4	
1/2 HP 1075 RPM	1348	847	-	-	-	-	-	500
	.05/3.8	.05/3.1	-	-	-	-	-	
	1618	1187	797	-	-	-	-	600
	.09/5.5	.09/4.8	.08/4.3	-	-	-	-	
	1887	1517	1174	793	-	-	-	700
	.14/7.2	.14/6.6	.14/6.1	.12/5.8	-	-	-	
	2157	1839	1515	1233	833	-	-	800
	.22/9.2	.22/8.6	.21/8.0	.20/7.7	.18/7.4	-	-	
	2426	2152	1849	1585	1335	994	-	900
	.31/11.5	.31/10.8	.31/10.2	.30/9.8	.29/9.5	.26/9.2	-	
2696	2456	2178	1924	1695	1469	1187	1000	
.42/14.0	.42/13.4	.42/12.7	.42/12.2	.41/11.8	.39/11.5	.37/11.2		
2879	2658	2399	2151	1928	1719	1501	1060*	
.51/15.8	.51/15.2	.51/14.6	.51/14.1	.51/13.7	.49/13.3	.47/13.0		

* Base Unit-AMCA seal for sound Rating does not apply to units with speed control installed.
 + RPM range capable with solid state speed control.
 Speed (RPM) shown is nominal. Performance is based on actual speed of test.

Performance certified is for installation type B - free inlet, ducted outlet.
 Power Ratings (BHP) does not include drive losses.
 Performance ratings do not include the effects of appurtenances in the airstream.

The sound ratings shown are loudness values in fan sones @ 5' (1.5m) in a hemispherical free field calculated per AMCA Standard 301. Values shown are for installation type A - free inlet fan sone levels.



JencoFan, Div. of Soler & Palau Ventilation Group, certifies that the Models SQD shown herein are licensed to bear the AMCA Seal. The ratings shown are based on test and procedures performed in accordance with AMCA Publication 211 and AMCA Publication 311 and comply with the requirement of the AMCA Certified Ratings Program.



MODEL CFD

Forward Curved Belt Driven Inline Duct Blower



MODEL FEATURES

- Rated up to 5,800 CFM in static pressure applications up to 2-1/2" w.g.
- 5 sizes ranging from 7 to 15
- Single DWDI forward curved blower assembly with the motor located in the air stream
- Belt drives permit easy performance adjustments when needed
- Can be used in both horizontal & vertical air flow positions
- Removable access panels provide easy access for service
- AMCA Air & Sound Certified
- cULus Listed

MODEL OVERVIEW

JencoFan's Forward Curved Belt Driven Inline Duct Blowers are designed for supply, exhaust or ducted return applications. The CFD is an economical fan model designed to run quietly and efficiently in cooling, heating, and ventilating applications.

The CFD was designed with several features to make life easier for the user. These features include: removable access panels with handles, adjustable motor pulleys for easy field adjusting, tight seals, and hanging rod connections.

A wide range of accessories and motors are available to meet special applications. These include: totally enclosed and two speed motors. Some of the accessory options available are: filter housings, hanging and floor mount isolators and insulated housings.

STANDARD CONSTRUCTION FEATURES

Horizontal Hanging Brackets

Factory Run & Tested
For quality assurance and dependable operation.

Galvanized Steel Housing
Encloses blower, motor and drives.

Bearings
Heavy-duty, ball bearing are designed for minimum 200,000 hours of operation, L50.

Forward Curved DWDI Blower
For efficient airflow and quiet performance.

Inlet and Outlet Duct Connectors

Removable Access Panel
For easy access for service

AMCA Seal
Assures certified rating of air and sound performance.

cULus 705 Listed
For electrical reliability. US

Model CFD is available in our Quickship program. All sizes are available for next day shipping from stock.

2 year fan housing warranty, 1 year motor warranty

All specifications are subject to change without notice unless approved in submittal by JencoFan.



CONSTRUCTION/SPECIFICATION CHECKLIST

Fan Housing

- Statically and dynamically balanced forward curved wheel
- 12-gauge galvanized steel blower plate/discharge opening
- 18-gauge galvanized steel housing
- Prepunched mounting holes
- Conduit opening for wiring from below unit

Drives

- Adjustable motor pulleys are standard
- Sized for minimum 150% of drive horsepower
- Machined cast iron adjustable motor pulleys
- Pivoting motor plate for belt tensioning
- Nonstatic oil resistant V-belts

Bearings

- Heavy-duty bearings are designed for minimum 200,000 hour life, L50
- Bearings are sealed and prelubricated

Motors

- 1 year warranty.
- Brands are nationally recognized and locally serviced
- Single speed open drip-proof are standard
- Totally enclosed and two-speed motors are available
- All motors are rated for continuous duty
- 182T and larger motors shipped unmounted for field installation
- Disconnect switch standard with single speed drip-proof and totally enclosed motor

Certifications

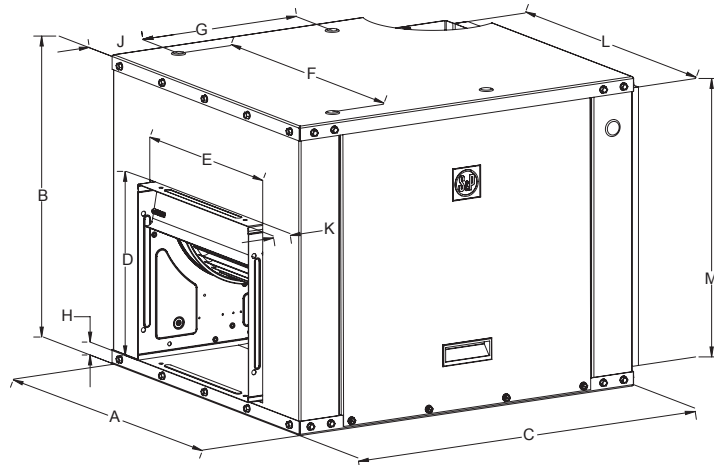
- AMCA Air and Sound Certified
- cULus 705 Listed

Entire Fan Unit

- Factory assembled and tested prior to shipment for quality assurance

Dimensional Data

Dimensions in Inches



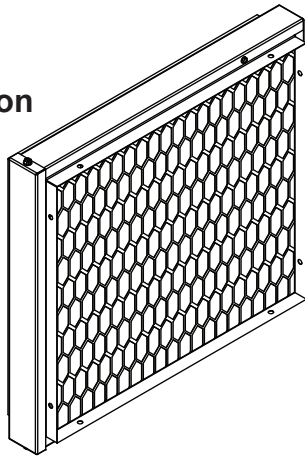
Model	A	B	C	D	E	F	G	H	J	K	L	M	Shaft (MM/IN)	WT (LBS)
7	18	15-3/8	23	8-1/4	9-1/4	14	7-11/16	1-1/4	1-7/8	5/8	15-7/8	13-3/8	20/.75	43
9	21	18	23	10-1/4	11-13/16	17	10-1/4	1-1/4	3-1/8	7/8	19	16	20/.75	55
10	22-1/4	20	24-3/4	11-1/4	13-1/8	18-1/4	11-3/8	1-1/4	3-11/16	15/16	20-1/4	18	20/.75	65
12	27	23	27-1/2	13-7/16	15-5/8	23	13-1/8	1-1/4	2-3/4	1-1/4	25	21	25/1	82
15	33-1/2	28	32	15-7/8	18-5/8	29-1/2	17-11/16	2-5/8	3	1	30-1/2	25	25/1	140

Metric Shafts have 'H' bushings installed to accommodate common pulleys



OPTIONS/ACCESSORIES

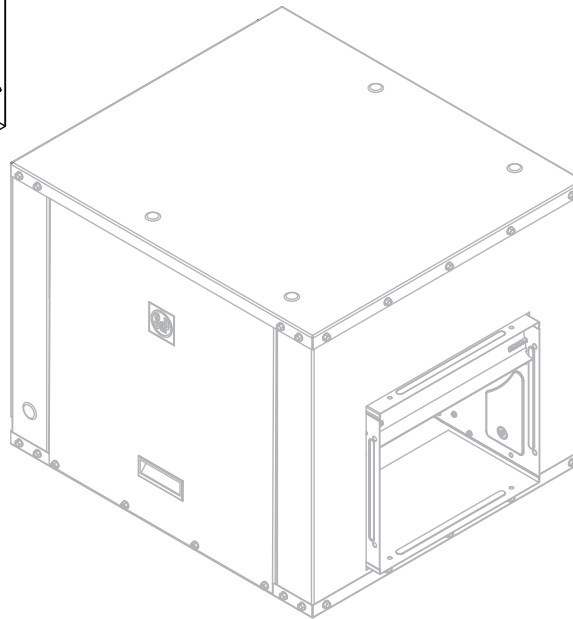
Filter Section



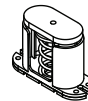
Rubber Isolator (Hanging)



Spring Isolator (Hanging)



Rubber Isolator (Floor)



Spring Isolator (Floor)

Hanging & Floor Brackets: For base or ceiling mounting. Neoprene and spring isolators are available.

Filter Section: For applications with dusty or dirt laden air. The filters are easily removable for cleaning.

Insulated Housing: Used for condensation control or noise reduction.

Disconnect Switch: Nonfused safety disconnect available for all motor sizes and enclosures. Specify prewired if desired. (Wiring not available on explosion proof and two speed motors).



Filter Section

Special Coatings: For protective and decorative purposes. Available coatings include: Epoxy, Synthetic Resin and Heresite (air-dried phenolic). Contact your representative or the factory for more information on available coatings and colors.



PERFORMANCE DATA

CFD07

CFM	OV	0.125" SP		0.25" SP		0.375" SP		0.5" SP		0.625" SP		0.75" SP		1" SP		1.25" SP		1.5" SP		1.75" SP		2" SP		2.25" SP		2.5" SP	
		RPM	BHP	RPM	BHP	RPM	BHP	RPM	BHP	RPM	BHP	RPM	BHP	RPM	BHP	RPM	BHP	RPM	BHP	RPM	BHP	RPM	BHP	RPM	BHP	RPM	BHP
200	467	507	0.01	706	0.03	856	0.04	980	0.05	1088	0.07	1184	0.09	1354	0.13	1502	0.17	1634	0.21	1756	0.26	1869	0.31	1975	0.36	2074	0.42
300	701	530	0.02	719	0.03	872	0.05	1001	0.07	1114	0.09	1214	0.11	1391	0.16	1544	0.2	1682	0.26	1807	0.31	1923	0.37	2031	0.43	2133	0.49
400	934	579	0.03	741	0.05	886	0.06	1013	0.09	1127	0.11	1230	0.13	1412	0.19	1571	0.24	1712	0.3	1841	0.36	1960	0.42	2071	0.49	2176	0.56
500	1168	645	0.04	783	0.06	912	0.08	1031	0.11	1141	0.13	1242	0.16	1425	0.22	1586	0.28	1731	0.34	1863	0.41	1985	0.48	2099	0.56	2206	0.63
600	1401	720	0.06	840	0.08	953	0.11	1061	0.13	1163	0.16	1260	0.19	1438	0.25	1598	0.32	1744	0.39	1878	0.47	2002	0.54	2118	0.62	2227	0.71
700	1635	801	0.09	907	0.11	1007	0.14	1104	0.17	1197	0.2	1287	0.23	1456	0.29	1612	0.37	1756	0.45	1890	0.53	2015	0.61	2132	0.7	-	-
800	1868	885	0.12	981	0.15	1071	0.18	1158	0.21	1243	0.24	1325	0.27	1483	0.34	1632	0.42	1772	0.5	1903	0.59	2027	0.68	2144	0.77	-	-
900	2102	972	0.17	1059	0.2	1141	0.23	1221	0.26	1298	0.29	1374	0.33	1520	0.4	1660	0.49	1793	0.57	1920	0.66	2041	0.76	-	-	-	-
1000	2335	1061	0.22	1141	0.26	1217	0.29	1290	0.32	1361	0.36	1430	0.4	1566	0.48	1697	0.56	1823	0.65	1944	0.74	-	-	-	-	-	-
1100	2569	1150	0.29	1225	0.33	1296	0.36	1363	0.4	1429	0.44	1494	0.48	1620	0.56	1742	0.65	1861	0.74	-	-	-	-	-	-	-	-
1200	2802	1241	0.37	1311	0.41	1377	0.45	1440	0.49	1502	0.53	1562	0.57	1679	0.66	1794	0.75	-	-	-	-	-	-	-	-	-	-
1300	3036	1333	0.46	1398	0.51	1460	0.55	1520	0.59	1577	0.63	1634	0.68	1744	0.77	-	-	-	-	-	-	-	-	-	-	-	-
1400	3270	1426	0.57	1487	0.62	1545	0.66	1601	0.71	1655	0.75	-	-	-	-	-	-	-	-	-	-	-	-	-	-	-	-
1500	3503	1519	0.69	1576	0.74	-	-	-	-	-	-	-	-	-	-	-	-	-	-	-	-	-	-	-	-	-	-

CFD09

CFM	OV	0.125" SP		0.25" SP		0.375" SP		0.5" SP		0.625" SP		0.75" SP		1" SP		1.25" SP	
		RPM	BHP	RPM	BHP	RPM	BHP	RPM	BHP	RPM	BHP	RPM	BHP	RPM	BHP	RPM	BHP
500	749	442	0.04	-	-	-	-	-	-	-	-	-	-	-	-	-	-
600	899	455	0.05	-	-	-	-	-	-	-	-	-	-	-	-	-	-
700	1049	481	0.06	624	0.1	-	-	-	-	-	-	-	-	-	-	-	-
800	1199	513	0.08	634	0.12	-	-	-	-	-	-	-	-	-	-	-	-
900	1349	550	0.1	655	0.14	766	0.2	-	-	-	-	-	-	-	-	-	-
1000	1499	588	0.13	683	0.17	780	0.23	883	0.3	-	-	-	-	-	-	-	-
1100	1648	628	0.16	715	0.21	801	0.26	891	0.33	987	0.41	-	-	-	-	-	-
1200	1798	669	0.2	751	0.25	829	0.31	909	0.37	993	0.45	-	-	-	-	-	-
1300	1948	711	0.25	788	0.3	860	0.36	933	0.42	1008	0.5	1086	0.58	-	-	-	-
1400	2098	753	0.31	826	0.36	894	0.42	962	0.48	1030	0.55	1100	0.64	1248	0.83	-	-
1500	2248	795	0.37	866	0.43	930	0.49	993	0.55	1056	0.62	1120	0.7	1254	0.89	1397	1.12
1600	2398	838	0.44	906	0.5	968	0.56	1027	0.63	1086	0.7	1145	0.78	1267	0.96	-	-
1700	2548	881	0.51	947	0.58	1006	0.65	1063	0.72	1118	0.79	1173	0.87	1286	1.05	-	-
1800	2697	924	0.6	989	0.67	1046	0.74	1100	0.82	1152	0.89	1204	0.97	-	-	-	-
1900	2847	967	0.7	1031	0.77	1086	0.85	1138	0.93	1188	1	1237	1.09	-	-	-	-
2000	2997	1010	0.8	1073	0.89	1127	0.97	1176	1.05	1225	1.13	-	-	-	-	-	-
2100	3147	1054	0.92	1115	1.01	1167	1.09	-	-	-	-	-	-	-	-	-	-
2200	3297	1098	1.05	1158	1.14	-	-	-	-	-	-	-	-	-	-	-	-

Performance shown is for installation Type B free inlet, ducted outlet. Performance ratings do not include the effects of appurtenances. Power rating (BHP) does not include transmission losses.



JencoFan, Div. of Soler & Palau Ventilation Group certifies that the Models CFD shown herein are licensed to bear the AMCA Seal. The ratings shown are based on test and procedures performed in accordance with AMCA Publication 211 and AMCA Publication 311 and comply with the requirement of the AMCA Certified Ratings Program.





CFD10

CFM	OV	0.125" SP		0.25" SP		0.375" SP		0.5" SP		0.625" SP		0.75" SP		1" SP		1.25" SP		1.5" SP		1.75" SP		2" SP		2.25" SP		2.5" SP	
		RPM	BHP	RPM	BHP	RPM	BHP	RPM	BHP	RPM	BHP	RPM	BHP	RPM	BHP	RPM	BHP	RPM	BHP	RPM	BHP	RPM	BHP	RPM	BHP	RPM	BHP
400	474	372	0.02	512	0.04	617	0.07	707	0.09	785	0.12	856	0.15	982	0.21	1093	0.28	1193	0.36	1286	0.44	1371	0.52	1452	0.61	1528	0.71
500	593	380	0.03	521	0.05	627	0.08	718	0.1	795	0.13	866	0.17	992	0.23	1103	0.31	1204	0.39	1296	0.47	1382	0.56	1463	0.66	1539	0.76
600	711	389	0.04	529	0.06	637	0.09	728	0.12	807	0.15	877	0.19	1003	0.26	1114	0.34	1214	0.42	1307	0.51	1392	0.61	1473	0.71	1549	0.81
700	830	398	0.04	537	0.07	645	0.11	735	0.14	816	0.17	886	0.21	1014	0.29	1124	0.37	1226	0.46	1317	0.56	1403	0.66	1483	0.76	1560	0.87
800	949	408	0.05	546	0.09	653	0.12	744	0.16	825	0.2	897	0.24	1024	0.32	1134	0.41	1234	0.51	1327	0.61	1413	0.71	1494	0.82	1570	0.93
900	1067	420	0.06	554	0.1	662	0.14	752	0.18	832	0.22	904	0.27	1033	0.36	1144	0.45	1246	0.55	1339	0.66	1423	0.77	1504	0.88	1580	0.99
1000	1186	435	0.08	563	0.12	670	0.16	761	0.21	841	0.25	913	0.3	1042	0.4	1153	0.5	1254	0.6	1348	0.71	1435	0.83	1514	0.94	1590	1.07
1100	1304	452	0.1	574	0.14	679	0.18	769	0.23	849	0.28	921	0.33	1049	0.44	1162	0.54	1265	0.66	1358	0.77	1444	0.89	1524	1.01	-	-
1200	1423	472	0.11	585	0.16	688	0.21	777	0.26	857	0.31	930	0.37	1058	0.48	1171	0.59	1274	0.71	1367	0.83	1454	0.96	1535	1.09	-	-
1300	1541	493	0.14	598	0.18	697	0.24	786	0.29	866	0.35	938	0.41	1066	0.53	1179	0.65	1281	0.77	1376	0.9	1463	1.03	-	-	-	-
1400	1660	513	0.16	613	0.21	708	0.27	795	0.33	874	0.39	946	0.45	1075	0.57	1188	0.7	1290	0.83	1383	0.97	1470	1.11	-	-	-	-
1500	1779	536	0.19	631	0.24	720	0.3	805	0.36	883	0.43	955	0.49	1083	0.63	1196	0.76	1298	0.9	1392	1.04	-	-	-	-	-	-
1600	1897	561	0.22	649	0.28	733	0.34	816	0.4	893	0.47	964	0.54	1091	0.68	1204	0.82	1307	0.97	1400	1.12	-	-	-	-	-	-
1700	2016	586	0.26	667	0.31	748	0.38	828	0.44	903	0.52	973	0.59	1100	0.74	1213	0.89	1315	1.04	-	-	-	-	-	-	-	-
1800	2134	612	0.3	688	0.36	764	0.42	840	0.49	914	0.57	982	0.64	1108	0.8	1221	0.96	1323	1.12	-	-	-	-	-	-	-	-
1900	2253	638	0.34	708	0.4	783	0.47	854	0.54	925	0.62	993	0.7	1117	0.86	1229	1.03	-	-	-	-	-	-	-	-	-	-
2000	2371	665	0.39	730	0.45	801	0.53	869	0.6	938	0.68	1004	0.76	1127	0.93	1238	1.11	-	-	-	-	-	-	-	-	-	-
2100	2490	692	0.45	754	0.51	821	0.58	886	0.66	952	0.74	1016	0.83	1137	1.01	-	-	-	-	-	-	-	-	-	-	-	-
2200	2608	720	0.51	778	0.58	841	0.65	905	0.73	966	0.81	1029	0.9	1147	1.08	-	-	-	-	-	-	-	-	-	-	-	-
2300	2727	747	0.58	802	0.64	861	0.72	923	0.8	982	0.88	1042	0.98	-	-	-	-	-	-	-	-	-	-	-	-	-	-
2400	2846	776	0.65	828	0.72	883	0.79	941	0.88	999	0.96	1057	1.06	-	-	-	-	-	-	-	-	-	-	-	-	-	-
2500	2964	804	0.73	853	0.8	906	0.88	961	0.96	1017	1.05	-	-	-	-	-	-	-	-	-	-	-	-	-	-	-	-
2600	3083	832	0.82	879	0.89	929	0.97	982	1.05	-	-	-	-	-	-	-	-	-	-	-	-	-	-	-	-	-	-
2700	3201	861	0.91	906	0.98	954	1.06	1004	1.15	-	-	-	-	-	-	-	-	-	-	-	-	-	-	-	-	-	-
2800	3320	889	1.01	933	1.08	-	-	-	-	-	-	-	-	-	-	-	-	-	-	-	-	-	-	-	-	-	-
2900	3438	918	1.12	-	-	-	-	-	-	-	-	-	-	-	-	-	-	-	-	-	-	-	-	-	-	-	-

Performance shown is for installation Type B free inlet, ducted outlet. Performance ratings do not include the effects of appurtenances. Power rating (BHP) does not include transmission losses.



JencoFan, Div. of Soler & Palau Ventilation Group certifies that the Models CFD shown herein are licensed to bear the AMCA Seal. The ratings shown are based on test and procedures performed in accordance with AMCA Publication 211 and AMCA Publication 311 and comply with the requirement of the AMCA Certified Ratings Program.





CFD12

CFM	OV	0.125" SP		0.25" SP		0.375" SP		0.5" SP		0.625" SP		0.75" SP		1" SP		1.25" SP		1.5" SP		1.75" SP		2" SP		2.25" SP		2.5" SP	
		RPM	BHP	RPM	BHP	RPM	BHP	RPM	BHP	RPM	BHP	RPM	BHP	RPM	BHP	RPM	BHP	RPM	BHP	RPM	BHP	RPM	BHP	RPM	BHP	RPM	BHP
800	678	345	0.05	475	0.09	573	0.13	654	0.18	724	0.23	787	0.28	896	0.39	992	0.51	1077	0.64	1155	0.77	1228	0.91	1296	1.05	1360	1.2
900	763	349	0.06	478	0.1	578	0.15	660	0.2	731	0.25	795	0.31	906	0.43	1003	0.55	1089	0.69	1168	0.82	1241	0.97	1309	1.12	1374	1.27
1000	848	351	0.06	481	0.11	582	0.16	666	0.22	738	0.27	802	0.34	915	0.46	1012	0.59	1100	0.73	1179	0.88	1253	1.03	1322	1.19	1387	1.35
1100	932	357	0.07	484	0.12	585	0.18	670	0.24	743	0.3	809	0.36	923	0.5	1021	0.64	1109	0.78	1190	0.94	1264	1.1	1333	1.26	1399	1.43
1200	1017	365	0.08	489	0.14	588	0.19	674	0.26	748	0.32	814	0.39	929	0.53	1029	0.68	1118	0.84	1199	1	1274	1.16	1344	1.33	1410	1.51
1300	1102	374	0.1	492	0.15	591	0.21	677	0.28	752	0.35	819	0.42	935	0.57	1036	0.73	1126	0.89	1208	1.05	1284	1.23	1354	1.41	-	-
1400	1187	384	0.11	495	0.17	596	0.23	680	0.3	755	0.38	823	0.45	941	0.61	1043	0.77	1134	0.94	1216	1.12	1292	1.3	1364	1.48	-	-
1500	1272	398	0.13	501	0.19	600	0.25	684	0.33	758	0.4	826	0.48	945	0.65	1048	0.82	1140	0.99	1224	1.18	1300	1.36	1372	1.56	-	-
1600	1356	415	0.15	508	0.21	603	0.28	688	0.35	761	0.43	829	0.52	949	0.69	1053	0.87	1146	1.05	1230	1.24	1308	1.44	-	-	-	-
1700	1441	425	0.17	516	0.23	606	0.3	691	0.38	764	0.46	832	0.55	953	0.73	1058	0.91	1151	1.11	1236	1.3	1314	1.51	-	-	-	-
1800	1526	435	0.2	525	0.26	612	0.33	695	0.41	769	0.5	835	0.59	956	0.77	1062	0.97	1156	1.17	1242	1.37	1321	1.58	-	-	-	-
1900	1611	450	0.22	535	0.29	618	0.36	699	0.45	772	0.53	840	0.63	959	0.82	1065	1.02	1160	1.23	1247	1.44	1326	1.66	-	-	-	-
2000	1695	465	0.25	545	0.32	625	0.4	702	0.48	776	0.57	844	0.67	962	0.87	1068	1.07	1164	1.29	1251	1.51	-	-	-	-	-	-
2100	1780	481	0.29	557	0.36	633	0.43	707	0.52	779	0.61	848	0.71	965	0.91	1071	1.13	1167	1.35	1255	1.58	-	-	-	-	-	-
2200	1865	496	0.32	571	0.4	642	0.47	714	0.56	783	0.66	851	0.76	969	0.97	1074	1.19	1171	1.42	1259	1.65	-	-	-	-	-	-
2300	1950	513	0.36	585	0.44	652	0.52	721	0.61	788	0.7	853	0.81	973	1.02	1077	1.25	1174	1.48	-	-	-	-	-	-	-	-
2400	2034	529	0.4	597	0.48	662	0.56	729	0.66	794	0.75	857	0.86	978	1.08	1080	1.31	1177	1.55	-	-	-	-	-	-	-	-
2500	2119	546	0.45	609	0.52	674	0.61	738	0.71	801	0.81	862	0.91	982	1.14	1085	1.38	1179	1.63	-	-	-	-	-	-	-	-
2600	2204	563	0.5	624	0.57	685	0.67	747	0.76	808	0.87	868	0.97	985	1.2	1089	1.45	-	-	-	-	-	-	-	-	-	-
2700	2289	580	0.55	638	0.62	701	0.73	757	0.82	817	0.93	875	1.04	989	1.27	1093	1.52	-	-	-	-	-	-	-	-	-	-
2800	2373	597	0.61	653	0.7	715	0.79	768	0.89	825	0.99	882	1.1	991	1.34	1097	1.6	-	-	-	-	-	-	-	-	-	-
2900	2458	615	0.67	669	0.76	729	0.86	779	0.96	835	1.06	890	1.17	996	1.42	-	-	-	-	-	-	-	-	-	-	-	-
3000	2543	632	0.74	684	0.83	740	0.93	791	1.03	845	1.14	898	1.25	1002	1.5	-	-	-	-	-	-	-	-	-	-	-	-
3100	2628	650	0.81	700	0.9	752	1	806	1.1	855	1.21	907	1.33	1009	1.58	-	-	-	-	-	-	-	-	-	-	-	-
3200	2713	668	0.88	716	0.98	766	1.08	821	1.19	866	1.3	917	1.42	-	-	-	-	-	-	-	-	-	-	-	-	-	-
3300	2797	685	0.96	733	1.06	781	1.16	834	1.27	878	1.39	927	1.51	-	-	-	-	-	-	-	-	-	-	-	-	-	-
3400	2882	703	1.05	749	1.15	796	1.25	846	1.36	890	1.48	937	1.6	-	-	-	-	-	-	-	-	-	-	-	-	-	-
3500	2967	721	1.14	766	1.24	811	1.35	857	1.46	906	1.58	-	-	-	-	-	-	-	-	-	-	-	-	-	-	-	-
3600	3052	740	1.23	783	1.34	826	1.45	871	1.56	-	-	-	-	-	-	-	-	-	-	-	-	-	-	-	-	-	-
3700	3136	758	1.33	800	1.44	842	1.55	885	1.67	-	-	-	-	-	-	-	-	-	-	-	-	-	-	-	-	-	-
3800	3221	776	1.44	817	1.55	858	1.66	-	-	-	-	-	-	-	-	-	-	-	-	-	-	-	-	-	-	-	-
3900	3306	794	1.55	834	1.66	-	-	-	-	-	-	-	-	-	-	-	-	-	-	-	-	-	-	-	-	-	-
4000	3391	813	1.66	-	-	-	-	-	-	-	-	-	-	-	-	-	-	-	-	-	-	-	-	-	-	-	-

Performance shown is for installation Type B free inlet, ducted outlet. Performance ratings do not include the effects of appurtenances. Power rating (BHP) does not include transmission losses.



JencoFan, Div. of Soler & Palau Ventilation Group certifies that the Models CFD shown herein are licensed to bear the AMCA Seal. The ratings shown are based on test and procedures performed in accordance with AMCA Publication 211 and AMCA Publication 311 and comply with the requirement of the AMCA Certified Ratings Program.





CFD15

CFM	OV	0.125" SP		0.25" SP		0.375" SP		0.5" SP		0.625" SP		0.75" SP		1" SP		1.25" SP	
		RPM	BHP	RPM	BHP	RPM	BHP	RPM	BHP	RPM	BHP	RPM	BHP	RPM	BHP	RPM	BHP
1700	1039	283	0.11	-	-	-	-	-	-	-	-	-	-	-	-	-	-
1800	1100	289	0.12	-	-	-	-	-	-	-	-	-	-	-	-	-	-
1900	1161	295	0.13	-	-	-	-	-	-	-	-	-	-	-	-	-	-
2000	1222	302	0.15	-	-	-	-	-	-	-	-	-	-	-	-	-	-
2100	1283	310	0.16	-	-	-	-	-	-	-	-	-	-	-	-	-	-
2200	1345	318	0.18	-	-	-	-	-	-	-	-	-	-	-	-	-	-
2300	1406	326	0.2	396	0.27	-	-	-	-	-	-	-	-	-	-	-	-
2400	1467	335	0.22	401	0.29	-	-	-	-	-	-	-	-	-	-	-	-
2500	1528	344	0.25	406	0.31	-	-	-	-	-	-	-	-	-	-	-	-
2600	1589	354	0.27	412	0.34	-	-	-	-	-	-	-	-	-	-	-	-
2700	1650	363	0.3	418	0.37	-	-	-	-	-	-	-	-	-	-	-	-
2800	1711	373	0.33	425	0.4	-	-	-	-	-	-	-	-	-	-	-	-
2900	1772	383	0.36	433	0.43	489	0.52	549	0.62	-	-	-	-	-	-	-	-
3000	1834	393	0.4	441	0.47	494	0.55	551	0.65	-	-	-	-	-	-	-	-
3100	1895	403	0.44	449	0.5	499	0.59	554	0.69	-	-	-	-	-	-	-	-
3200	1956	414	0.48	457	0.54	505	0.62	558	0.73	-	-	-	-	-	-	-	-
3300	2017	424	0.52	466	0.58	512	0.67	562	0.77	615	0.88	-	-	-	-	-	-
3400	2078	434	0.56	475	0.63	519	0.71	567	0.81	618	0.93	-	-	-	-	-	-
3500	2139	445	0.61	484	0.68	526	0.76	572	0.86	621	0.98	672	1.1	-	-	-	-
3600	2200	456	0.66	493	0.72	534	0.81	578	0.91	625	1.03	674	1.15	-	-	-	-
3700	2261	466	0.71	502	0.78	542	0.86	584	0.96	629	1.08	676	1.22	-	-	-	-
3800	2322	477	0.77	512	0.83	550	0.92	590	1.02	634	1.14	679	1.26	770	1.54	-	-
3900	2384	488	0.82	522	0.89	558	0.98	597	1.08	639	1.19	683	1.33	774	1.6	-	-
4000	2445	499	0.88	532	0.96	567	1.04	604	1.14	645	1.25	687	1.39	775	1.66	-	-
4100	2506	510	0.95	541	1.02	575	1.11	612	1.21	651	1.32	691	1.45	777	1.73	-	-
4200	2567	521	1.02	552	1.09	585	1.17	620	1.28	657	1.39	696	1.52	779	1.8	-	-
4300	2628	532	1.09	562	1.17	594	1.25	628	1.35	664	1.46	701	1.58	781	1.88	-	-
4400	2689	543	1.16	572	1.24	603	1.32	636	1.42	671	1.54	707	1.66	785	1.96	865	2.27
4500	2750	554	1.24	582	1.32	612	1.4	644	1.5	678	1.62	713	1.74	788	2.03	867	2.35
4600	2811	565	1.31	593	1.4	622	1.48	653	1.59	685	1.7	720	1.82	792	2.11	869	2.43
4700	2873	576	1.4	603	1.48	632	1.57	662	1.67	693	1.79	726	1.91	796	2.2	871	2.52
4800	2934	587	1.48	614	1.57	641	1.66	670	1.76	701	1.94	733	2	801	2.28	873	2.61
4900	2995	599	1.58	624	1.66	651	1.75	679	1.86	709	2.03	740	2.1	806	2.38	876	2.71
5000	3056	610	1.67	635	1.76	661	1.85	689	1.95	718	2.13	748	2.19	812	2.47	880	2.81
5100	3117	621	1.77	645	1.86	671	1.95	698	2.05	726	2.23	755	2.3	818	2.58	884	2.91
5200	3178	632	1.87	656	1.97	681	2.05	707	2.16	735	2.35	763	2.4	824	2.68	888	3.01
5300	3239	644	1.98	667	2.07	691	2.16	717	2.27	744	2.39	771	2.51	830	2.79	893	3.12
5400	3300	655	2.09	678	2.19	702	2.28	727	2.38	753	2.5	780	2.63	837	2.91	898	3.23
5500	3361	666	2.2	689	2.3	712	2.4	736	2.5	762	2.62	788	2.75	844	3.03	-	-
5600	3423	677	2.32	699	2.42	722	2.52	746	2.62	771	2.74	797	2.87	851	3.15	-	-
5700	3484	689	2.44	710	2.55	733	2.65	756	2.75	780	2.87	805	3	-	-	-	-
5800	3545	700	2.57	721	2.67	743	2.78	766	2.88	790	3	814	3.13	-	-	-	-

Performance shown is for installation Type B free inlet, ducted outlet. Performance ratings do not include the effects of appurtenances. Power rating (BHP) does not include transmission losses.



JencoFan, Div. of Soler & Palau Ventilation Group certifies that the Models CFD shown herein are licensed to bear the AMCA Seal. The ratings shown are based on test and procedures performed in accordance with AMCA Publication 211 and AMCA Publication 311 and comply with the requirement of the AMCA Certified Ratings Program.





SOUND DATA

CFD07

RPM	Sound Performance Sones (Inches w.g.)												
	0.125	0.25	0.375	0.5	0.625	0.75	1	1.25	1.5	1.75	2	2.25	2.5
500	2	-	-	-	-	-	-	-	-	-	-	-	-
600	3.8	-	-	-	-	-	-	-	-	-	-	-	-
700	5.5	4.3	-	-	-	-	-	-	-	-	-	-	-
800	7.4	6.2	5.3	-	-	-	-	-	-	-	-	-	-
900	11.3	8.2	7.2	6.5	-	-	-	-	-	-	-	-	-
1000	11.7	10.4	9.3	8.5	7.9	-	-	-	-	-	-	-	-
1100	13.7	12.9	11.7	10.8	10	9.4	-	-	-	-	-	-	-
1200	27	15.9	14.3	13.3	12.5	11.8	-	-	-	-	-	-	-
1300	31	19.9	16.8	15.6	14.8	14.1	13.3	-	-	-	-	-	-
1400	34	24	19.2	18.2	17.3	16.5	15.7	-	-	-	-	-	-
1500	37	28	23	21	20	19.2	18.1	17.6	-	-	-	-	-
1600	39	32	27	23	23	22	21	20	19.6	-	-	-	-
1700	42	35	31	27	26	25	24	23	22	22	-	-	-
1800	43	38	34	31	29	28	27	26	25	24	24	-	-
1900	45	41	38	35	33	32	30	29	28	27	27	26	26
2000	47	44	41	39	38	36	34	32	31	30	30	30	29
2100	50	48	46	44	43	41	39	37	35	34	33	33	32
2200	55	53	51	50	48	46	43	41	39	38	37	36	36

CFD09

RPM	Sound Performance Sones (Inches w.g.)							
	0.125	0.25	0.375	0.5	0.625	0.75	1	1.25
400	4.4	-	-	-	-	-	-	-
450	5.5	-	-	-	-	-	-	-
500	6.8	-	-	-	-	-	-	-
550	8.3	8.1	-	-	-	-	-	-
600	10	9.4	-	-	-	-	-	-
650	12.2	11.5	-	-	-	-	-	-
700	14.4	13.8	13.4	-	-	-	-	-
750	16.8	16.2	15.6	-	-	-	-	-
800	19.1	18.6	18	17.8	-	-	-	-
850	21	21	20	20	20	-	-	-
900	24	23	23	23	22	-	-	-
950	26	26	26	25	25	-	-	-
1000	29	29	29	28	28	28	-	-
1050	32	32	32	31	31	31	-	-
1100	35	35	34	34	34	33	-	-
1150	37	37	37	36	36	36	36	-
1200	40	40	39	39	39	39	38	-
1250	43	43	42	42	42	41	41	41
1300	47	46	46	45	45	44	44	43



JencoFan, Div. of Soler & Palau Ventilation Group certifies that the Models CFD shown herein are licensed to bear the AMCA Seal. The ratings shown are based on test and procedures performed in accordance with AMCA Publication 211 and AMCA Publication 311 and comply with the requirement of the AMCA Certified Ratings Program.

The sound ratings shown are in loudness values in fan sones at 1.5 m (5 ft) in a hemispherical free field calculated per AMCA International Standard 301. Values shown are for Installation type B: free inlet hemispherical sone levels.



CFD10

RPM	Sound Performance Sones (Inches w.g.)												
	0.125	0.25	0.375	0.5	0.625	0.75	1	1.25	1.5	1.75	2	2.25	2.5
400	2.7	-	-	-	-	-	-	-	-	-	-	-	-
450	4.4	-	-	-	-	-	-	-	-	-	-	-	-
500	6	3.1	-	-	-	-	-	-	-	-	-	-	-
550	7.6	4.8	-	-	-	-	-	-	-	-	-	-	-
600	9.3	6.7	4.6	-	-	-	-	-	-	-	-	-	-
650	11	8.8	6.2	-	-	-	-	-	-	-	-	-	-
700	12.8	10.7	8	6.2	-	-	-	-	-	-	-	-	-
750	14.4	12.5	10.2	7.8	6.9	-	-	-	-	-	-	-	-
800	16.2	14.4	12.5	9.9	7.9	-	-	-	-	-	-	-	-
850	18	16.4	14.5	12.2	9.9	8.6	-	-	-	-	-	-	-
900	19.8	18.5	16.6	14.6	12.2	10.2	-	-	-	-	-	-	-
950	22	21	18.8	17.1	14.7	12.5	-	-	-	-	-	-	-
1000	24	23	21	19.3	17.3	15	11.5	-	-	-	-	-	-
1050	26	25	23	21	20	17.6	13.8	-	-	-	-	-	-
1100	28	27	25	24	22	20	16.2	13.7	-	-	-	-	-
1150	30	29	28	26	25	23	18.9	15.7	-	-	-	-	-
1200	32	31	30	29	27	26	22	18.3	16.2	-	-	-	-
1250	34	33	32	31	29	28	25	21	18.1	-	-	-	-
1300	37	36	35	34	32	30	28	24	21	18.7	-	-	-
1350	39	38	37	36	35	33	30	26	23	20	19.8	-	-
1400	42	41	40	39	37	36	33	30	26	23	21	-	-
1450	44	43	42	42	40	39	36	33	29	26	23	22	22
1500	47	46	45	44	43	42	38	36	32	29	26	24	24
1550	50	49	48	47	46	45	41	39	35	32	29	27	25
1600	53	52	51	50	49	48	45	42	39	35	32	30	27

The sound ratings shown are in loudness values in fan sones at 1.5 m (5 ft) in a hemispherical free field calculated per AMCA International Standard 301. Values shown are for Installation type B: free inlet hemispherical sone levels.



JencoFan, Div. of Soler & Palau Ventilation Group certifies that the Models CFD shown herein are licensed to bear the AMCA Seal. The ratings shown are based on test and procedures performed in accordance with AMCA Publication 211 and AMCA Publication 311 and comply with the requirement of the AMCA Certified Ratings Program.



CFD12

RPM	Sound Performance Sones (Inches w.g.)												
	0.125	0.25	0.375	0.5	0.625	0.75	1	1.25	1.5	1.75	2	2.25	2.5
400	3.9	-	-	-	-	-	-	-	-	-	-	-	-
450	5.3	4	-	-	-	-	-	-	-	-	-	-	-
500	6.8	5.4	4.4	-	-	-	-	-	-	-	-	-	-
550	8.6	6.9	5.9	-	-	-	-	-	-	-	-	-	-
600	10.5	8.6	7.4	6.6	-	-	-	-	-	-	-	-	-
650	12.6	10.5	9.1	8.2	7.4	-	-	-	-	-	-	-	-
700	14.7	12.6	11	9.9	9.2	8.4	-	-	-	-	-	-	-
750	16.8	14.9	13	11.7	10.8	10	-	-	-	-	-	-	-
800	18.9	17.2	15.2	13.7	12.6	11.7	10.2	-	-	-	-	-	-
850	21	19.4	17.5	15.8	14.7	13.7	12	10.4	-	-	-	-	-
900	23	22	19.9	18.2	16.8	15.8	14	12.5	-	-	-	-	-
950	26	24	22	21	19.1	18	16.1	14.6	-	-	-	-	-
1000	28	27	25	23	22	20	18.4	16.7	15.3	-	-	-	-
1050	31	29	28	26	24	23	21	19	17.4	16.1	-	-	-
1100	33	32	30	29	27	25	23	21	19.8	18.4	-	-	-
1150	36	34	33	32	30	28	25	24	22	21	19.6	-	-
1200	39	37	36	35	33	31	28	26	25	23	22	21	-
1250	42	41	39	38	36	34	31	29	27	26	24	23	22
1300	45	44	42	41	40	38	34	32	30	28	27	26	25
1350	49	47	46	44	43	41	38	35	33	31	30	28	27
1400	52	51	49	48	47	45	41	39	36	34	33	31	30

CFD15

RPM	Sound Performance Sones (Inches w.g.)							
	0.125	0.25	0.375	0.5	0.625	0.75	1	1.25
300	3.8	-	-	-	-	-	-	-
350	5.5	-	-	-	-	-	-	-
400	7.5	6.3	-	-	-	-	-	-
450	9.6	8.3	-	-	-	-	-	-
500	11.9	10.7	9.6	-	-	-	-	-
550	14.3	13.2	12.1	11.3	-	-	-	-
600	17	15.8	14.8	13.9	13.1	-	-	-
650	19.5	18.4	17.4	16.5	15.6	-	-	-
700	22	21	20	19.2	18.3	17.5	-	-
750	25	24	23	22	21	20	18.7	-
800	28	27	26	25	24	23	22	20
850	31	30	29	28	27	26	25	23
900	34	33	33	32	31	30	28	27
950	38	37	36	35	35	34	32	31
1000	42	41	40	40	39	38	36	35
1050	47	46	45	44	43	42	41	39
1100	51	50	50	49	48	47	46	44
1150	56	56	55	54	53	52	51	49
1200	62	61	60	59	58	58	56	55
1250	66	65	64	63	63	62	60	59
1300	70	69	69	68	67	66	65	63

The sound ratings shown are in loudness values in fan sones at 1.5 m (5 ft) in a hemispherical free field calculated per AMCA International Standard 301. Values shown are for Installation type B: free inlet hemispherical sone levels.



JencoFan, Div. of Soler & Palau Ventilation Group certifies that the Models CFD shown herein are licensed to bear the AMCA Seal. The ratings shown are based on test and procedures performed in accordance with AMCA Publication 211 and AMCA Publication 311 and comply with the requirement of the AMCA Certified Ratings Program.

MODEL CTB

TUBULAR CENTRIFUGAL INLINE BELT DRIVEN FAN



MODEL FEATURES

- Rated up to 20,000 CFM in static pressure applications up to 2-1/2" w.g.
- Motor and drives are located outside of the airstream
- Ideal for applications where space is limited
- Belt drives permit easy performance adjustments when needed
- Continuously welded and epoxy painted steel housing
- AMCA Air & Sound Certified
- cULus 705 or 762 Listed

MODEL OVERVIEW

JencoFan's inline tubular centrifugal line offers one of the widest range of sizes, horsepower and performance in the industry. Models CTB are high capacity belt drive tubular centrifugal fans rated from 300 to 20,000 CFM, with static pressure capability up to 2-1/2". Designed for commercial and industrial in-line applications that demand quiet, efficient and reliable air movement, they are used to exhaust air from or supply air to such typical commercial and industrial applications as general building ventilation, enclosed garages, paint spray booths, heat and smoke ventilation systems, restaurant and kitchen exhaust ventilation, historical buildings with limited roof space and restrictive duct lengths, and other applications where air is moved through a duct system against moderate static pressure. The CTBRHUL is specifically suited for restaurant exhaust where roof space is limited, sidewall mounted fans are prohibited or duct lengths are restricted. The CTBRHUL is also perfect in areas where extreme weather and outside air temperature is a concern when maintenance on the fan is needed.

The centrifugal wheel is designed to provide higher efficiencies and lower sound levels than propeller type fans when used in medium pressure ducted systems. Tubular centrifugal fans can be mounted in any position from horizontal to vertical providing for installations in the smallest possible space.

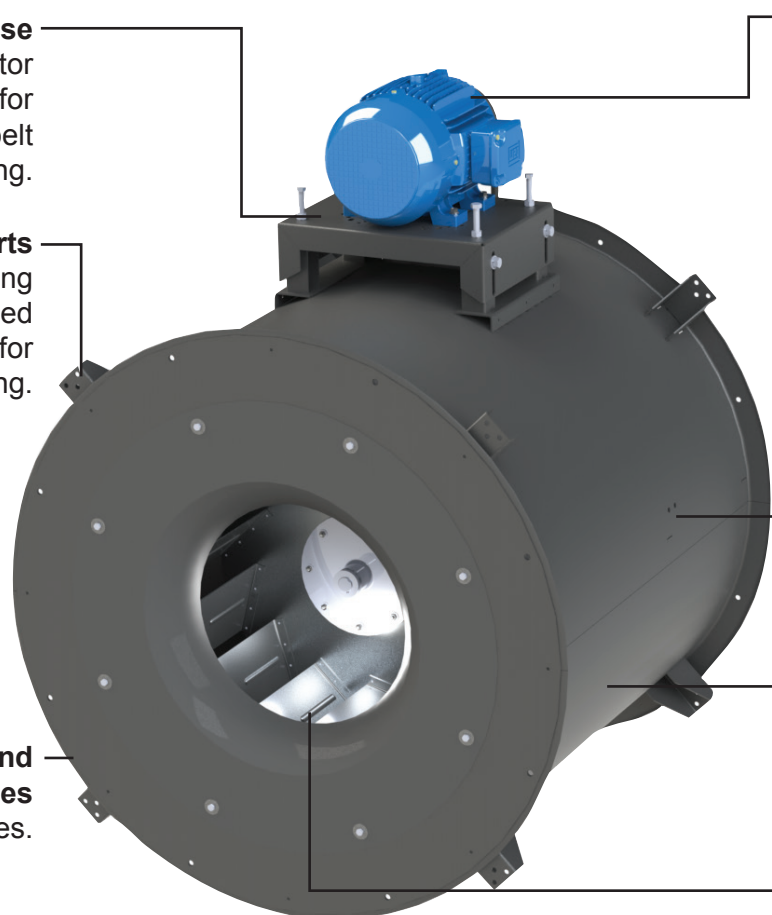
APPLICATION CONSTRUCTION OPTIONS

MODEL NAME	TYPICAL APPLICATIONS
CTB	Removal of clean or contaminated air in general applications
CTBRHUL	cULus 762 listed for grease removal

All specifications are subject to change without notice unless approved in submittal by JencoFan.

STANDARD CONSTRUCTION FEATURES

Model CTB



Motor Base

Adjustable steel motor base is designed for strength and ease of belt tensioning.

Motor

National brands with local service. Standard motors are heavy-duty open drip-proof. Other options available.

Mounting Supports

Eight (8) mounting supports are welded to each fan to allow for universal mounting.

Drives

Sized for a minimum 150% of motor horsepower. Drives are variable pitch as standard through 7-1/2 HP.

Extended Lubrication Lines

Extend from bearings to the outside of the unit.

Integral Inlet and Outlet Flanges

With mounting holes.

Housing

Heavy-gauge rolled steel with continuous welded seam and epoxy coating for maximum strength.

All Aluminum Centrifugal Wheel

Non-overloading, backward inclined tapered blades for maximum efficiency and minimum sound.

Bearings

Heavy-duty, ball bearing cast pillow blocks are designed for minimum 200,000 hours of operation, L50.

Factory Run & Tested
For quality assurance and dependable operation.

AMCA Seal

Assures certified rating of air and sound performance.



cULus 705 Listed
For electrical reliability.

2 year fan housing warranty, 1 year motor warranty



STANDARD CONSTRUCTION FEATURES

Model CTBRHUL Restaurant Exhaust

Motor Base
Adjustable steel motor base is designed for strength and ease of belt tensioning.

Mounting Supports
Eight (8) mounting supports are welded to each fan to allow for universal mounting.

Housing
Heavy-gauge rolled steel with continuous welded seam and epoxy coating for maximum strength.

Integral Duct Flanges
With bolt locations per NFPA 96

Bearing Cover Gasket and Shaft Seal
Come standard to protect bearings and belts from steam, grease, and moisture

Motor
National brands with local service. Standard motors are heavy-duty open drip-proof. Other options available.

Drives
Sized for a minimum 150% of motor horsepower. Drives are variable pitch as standard through 7-1/2 HP.

Extended Lubrication Lines
Extend from bearings to the outside of the unit.

Two Threaded Drain Connections Aid maintenance and serviceability operations

All Aluminum Centrifugal Wheel
Non-overloading, backward inclined tapered blades for maximum efficiency and minimum sound.

Factory Run & Tested
For quality assurance and dependable operation.

AMCA Seal
Assures certified rating of air and sound performance.

AMCA CERTIFIED RATINGS
SOUND and AIR PERFORMANCE
AIR MOVEMENT AND CONTROL ASSOCIATION INTERNATIONAL, INC.

cULus 762 Listed
For Grease Laden Air

2 year fan housing warranty, 1 year motor warranty



CONSTRUCTION/SPECIFICATION CHECKLIST

Fan Housing

- Heavy-gauge rolled steel construction.
- Integral inlet and outlet flanges with mounting holes.
- Continuously welded and epoxy coated.
- Belt and bearing tube to protect drive components.
- Removable bearing cover for ease of maintenance.
- Eight mounting supports welded to each fan.
- Adjustable motor base for belt tensioning.
- Extended lube lines.

Centrifugal Wheel

- All aluminum wheel
- Backward inclined for efficiency at higher static pressures
- Non-overloading for safe operation in ducted systems
- Tapered blades for efficiency and quiet operation
- Heavy aluminum hub for extra strength
- Statically and dynamically balanced for smooth operation

Drives

- Sized for minimum 150% of drive horsepower.
- Single belt adjustable pitch sheaves through 3HP.
- Multiple belts are used on adjustable sheaves 5HP through 7-1/2HP as required for drive horsepower
- Variable pitch as standard.
- Adjustable tension rods for belt adjustment.
- Nonstatic oil resistant v-belts.
- Keyed, turned, ground and polished shafts.

Bearings

- Bearings are designed for minimum 200,000 hour life, L50.
- Cast iron self-aligning pillow block ball bearings.
- Bearings are sealed and prelubricated.

Motors

- One year motor warranty.
- Brands are nationally recognized and locally serviced.
- NEMA base-mounted motors are standard.
- Open drip-proof construction is standard.
- Premium-efficiency, explosion proof, totally enclosed fan cooled (TEFC) and corrosion duty motors can be specified.

Certifications

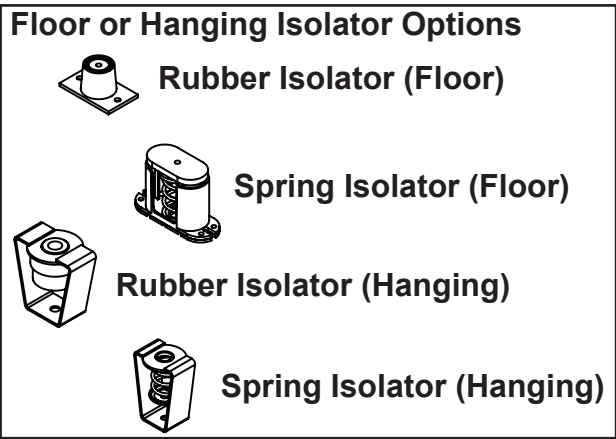
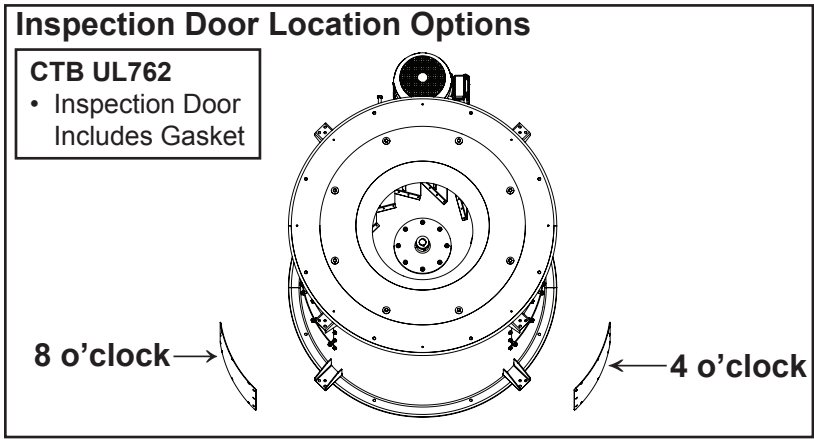
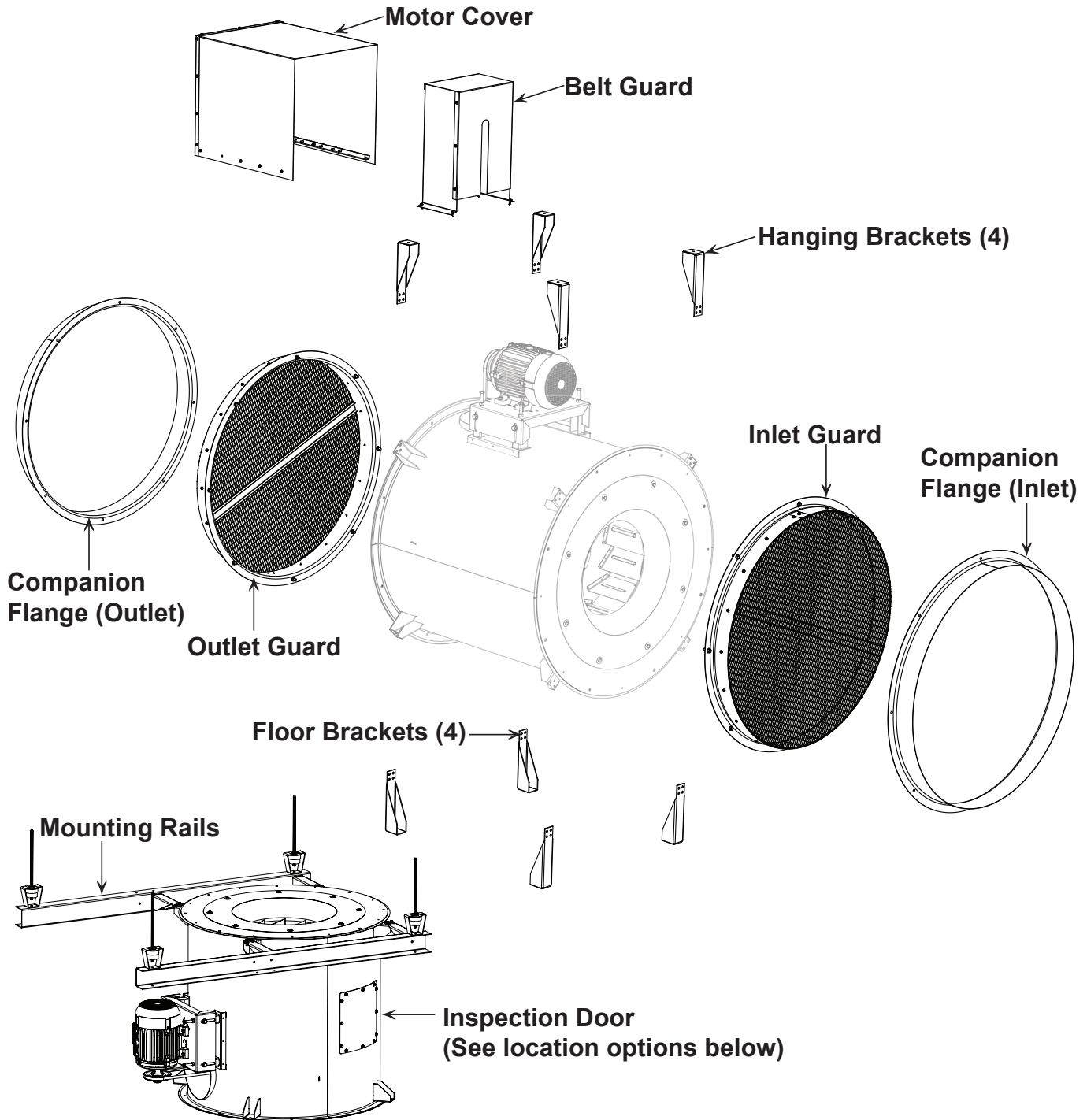
- AMCA Air and Sound Certified
- cULus 705 Listed
- cULus 762 Listed for grease removal

Entire Fan Unit

- Factory assembled and tested prior to shipment for quality assurance.



OPTIONS/ACCESSORIES





OPTIONS/ACCESSORIES

Hanging & Floor Brackets: For base or ceiling mounting. Neoprene and spring isolators are available.

Mounting Rails: Designed for vertical and horizontal mounting. Rail kits include mounting brackets.

Inlet/Outlet Guard: Prevents objects from entering the fan inlet or outlet. Includes companion flange.

Inspection Door: For inspection and blade service/cleaning. Bolted. UL762 inspection door option includes gasket.

Companion Flanges: Inlet and/or outlet flanges are available for duct connection.

Belt Guard: Encloses belt and motor sheave on exterior of fan.

Motor Cover: Three sided guard that covers motor, sheave and belt. Motor may extend past cover on sizes 9 and 11.

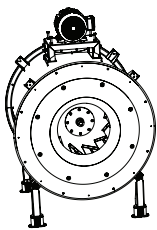
Shaft Seal: Protects bearings and belts when fan is handling dirty or contaminated air.

Disconnect Switch: Nonfused safety disconnect available for all motor sizes and enclosures. Specify prewired if desired. (Wiring not available on explosion proof and two speed motors).

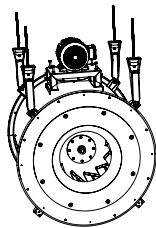
Special Coatings (*Epoxy Coating is Standard*): For protective and decorative purposes. Available coatings include: Synthetic Resin and Heresite (air-dried phenolic). Contact your representative or the factory for more information on available coatings and colors.

MOUNTING CONFIGURATIONS

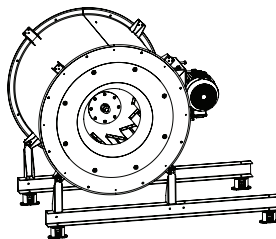
Floor Mount



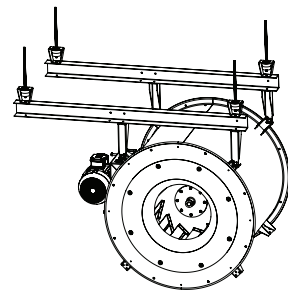
Hanging Mount



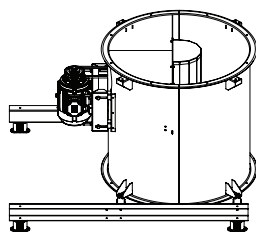
Rail Floor Mount



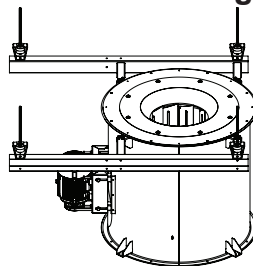
Rail Hanging Mount



Vertical Rail Floor Mount

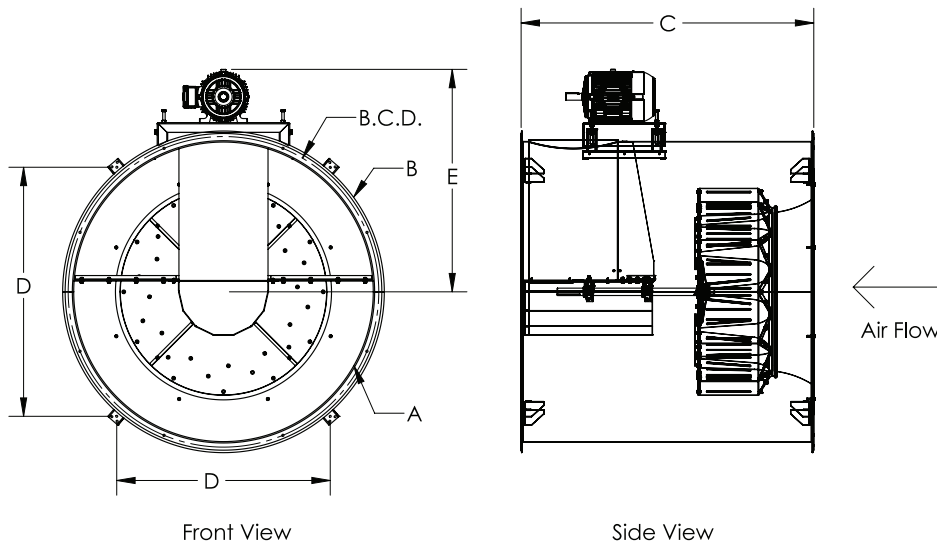


Vertical Rail Hanging Mount





DIMENSIONS/PHYSICAL DATA



Model No.	Housings				B.C.D.	E (Max)	Holes			Shaft Size	Max Motor Frame	Steel Housing Gauges	Avg. Ship Wt. (Lbs)
	I.D. A	O.D. B	Length C	D			Dia.	CTB #	CTBRHUL #				
9	18-3/8	22-1/2	23*	17-15/16	19-3/4	24	7/16"	8	16	5/8"	56	14	125
11	18-3/8	22-1/2	23*	17-15/16	19-3/4	24	7/16"	8	16	5/8"	143T	14	126
13	20-3/8	24-1/2	24-1/2	18-3/8	21-3/4	25	7/16"	8	18	3/4"	145T	14	130
15	24-3/8	28-9/16	25-1/2	21-1/4	25-3/4	29	7/16"	8	20	3/4"	182T	12	170
18	30-3/8	34-9/16	31	25-1/2	32	31	7/16"	8	26	1"	182T	12	236
22	36-3/8	40-9/16	35-1/2	29-13/16	38	33-1/2	7/16"	8	30	1-3/16"	182T	12	296
24	42-1/2	47	42	34-1/8	44-1/4	34-1/2	7/16"	8	36	1-1/2"	184T	10	420
30	48-1/2	53	48-1/2	38-3/8	50-3/4	40-1/2	7/16"	8	40	1-1/2"	213T	10	544
36	55	59-1/2	54	43	57-1/4	44	7/16"	8	46	1-1/2"	215T	10	694
42	61	65-1/2	59-1/2	47-1/4	63-1/4	45	7/16"	8	52	1-1/2"	215T	10	879

*Motor may extend past unit



PERFORMANCE/DIMENSIONS

Size 9

CFM	OV	Static Pressure (Inches W.G.)																	
		0.125		0.25		0.5		0.75		1		1.25		1.5		1.75		2	
		RPM	BHP	RPM	BHP	RPM	BHP	RPM	BHP	RPM	BHP	RPM	BHP	RPM	BHP	RPM	BHP	RPM	BHP
		Sones		Sones		Sones		Sones		Sones		Sones		Sones		Sones		Sones	
300	164	843	0.02	1025	0.04	1329	0.08	1587	0.13										
		3.3		4.9		8.7		12.4											
350	191	921	0.03	1087	0.05	1370	0.09	1615	0.14	1834	0.19	2034	0.26						
		4.1		5.5		9		12.8		16.9		21							
400	219	1003	0.04	1157	0.05	1421	0.10	1653	0.15	1862	0.21	2055	0.27	2234	0.34				
		4.9		6.3		9.4		13.3		17.3		21		25					
450	246	1088	0.05	1231	0.06	1480	0.11	1699	0.16	1899	0.23	2084	0.29	2257	0.37	2421	0.44	2575	0.52
		5.9		7.3		10		14		17.8		21		25		29		33	
500	273	1175	0.06	1310	0.08	1544	0.13	1751	0.18	1943	0.25	2120	0.31	2288	0.39	2446	0.47	2596	0.55
		6.8		8.2		10.8		14.7		18.4		22		26		29		33	
550	301	1264	0.07	1391	0.09	1613	0.14	1810	0.20	1992	0.27	2163	0.34	2325	0.41	2478	0.50	2624	0.58
		7.9		9.1		11.8		15.6		19.1		23		27		30		34	
600	328	1354	0.08	1475	0.11	1686	0.16	1874	0.22	2048	0.29	2212	0.36	2368	0.44	2516	0.53		
		8.8		10		13.2		16.5		19.9		24		27		31			
650	355	1445	0.10	1561	0.13	1762	0.19	1942	0.25	2109	0.32	2266	0.39	2416	0.47	2559	0.56		
		9.8		11.1		14.4		17.7		21		25		28		32			
700	383	1538	0.12	1648	0.15	1841	0.21	2012	0.28	2174	0.35	2325	0.43	2469	0.51	2607	0.6		
		10.8		12.5		15.8		18.8		22		26		29		33			
750	410	1631	0.14	1736	0.18	1922	0.24	2088	0.31	2242	0.39	2388	0.46	2526	0.55				
		12.2		13.9		17.2		20		24		27		30					
800	437	1724	0.17	1826	0.2	2004	0.27	2164	0.35	2313	0.42	2454	0.5	2588	0.59				
		13.9		15.6		18.7		22		25		28		31					
850	464	1819	0.2	1917	0.24	2088	0.31	2242	0.38	2386	0.46	2522	0.55						
		15.5		17.2		20		23		27		30							
900	492	1915	0.23	2007	0.27	2174	0.35	2323	0.43	2461	0.51	2594	0.6						
		17.2		18.8		22		25		28		31							
950	519	2009	0.27	2100	0.31	2259	0.39	2405	0.47	2539	0.56								
		18.9		20		24		27		29									
1000	546	2106	0.31	2192	0.35	2348	0.44	2487	0.52	2619	0.61								
		21		22		25		28		31									
1050	574	2202	0.35	2285	0.4	2436	0.49	2573	0.58										
		23		24		27		30											
1100	601	2297	0.4	2378	0.45	2526	0.54												
		24		26		29													
1150	628	2395	0.45	2473	0.5	2616	0.6												
		27		28		31													
1200	656	2491	0.51	2568	0.56														
		29		30															
1250	683	2589	0.57																
		31																	

Performance certified is for installation type B: Free inlet, Ducted outlet. Power rating (bhp) includes transmission losses. Performance ratings do not include the effects of appurtenances.

The sound ratings shown are loudness values in fan sones at 5 ft. (1.5 m) in a hemispherical free field calculated per AMCA Standard 301. Values shown are for installation type: B free inlet hemispherical sone levels.



JencoFan, Div. of Soler & Palau Ventilation Group certifies that the Models CTB shown herein are licensed to bear the AMCA Seal. The ratings shown are based on test and procedures performed in accordance with AMCA Publication 211 and AMCA Publication 311 and comply with the requirement of the AMCA Certified Ratings Program.



UL STANDARD 705 for Electrical
UL STANDARD 762 for Grease Removal



Size 11

CFM	OV	Static Pressure (Inches W.G.)																			
		0.125		0.25		0.5		0.75		1		1.25		1.5		1.75		2		2.25	
		RPM	BHP	RPM	BHP	RPM	BHP	RPM	BHP	RPM	BHP	RPM	BHP	RPM	BHP	RPM	BHP	RPM	BHP	RPM	BHP
		Sones		Sones		Sones		Sones		Sones		Sones		Sones		Sones		Sones		Sones	
500	275	733	0.04	864	0.06																
		5.1		6.6																	
600	330	830	0.05	941	0.07	1156	0.13														
		6.6		7.7		11															
650	357	880	0.06	985	0.08	1184	0.14	1378	0.21												
		7.1		8.4		11.4		15.2													
750	412	984	0.08	1077	0.1	1253	0.17	1423	0.24	1591	0.32										
		8.5		9.9		12.7		16.1		19.4											
800	440	1036	0.09	1125	0.12	1291	0.18	1452	0.26	1611	0.34	1767	0.43								
		9.3		10.8		13.4		16.5		19.7		24									
900	495	1144	0.12	1224	0.15	1375	0.22	1520	0.3	1663	0.39	1803	0.48	1942	0.58						
		11.1		12.3		15.1		17.7		21		25		28							
950	522	1198	0.13	1276	0.17	1419	0.24	1558	0.32	1694	0.41	1827	0.51	1960	0.61	2091	0.72				
		12.1		13.3		15.7		18.5		22		25		29		33					
1000	549	1253	0.15	1328	0.19	1466	0.26	1598	0.34	1727	0.44	1855	0.54	1982	0.64	2107	0.75	2231	0.87		
		12.9		14.2		16.7		19.2		22		26		29		34		38			
1050	577	1308	0.17	1380	0.21	1512	0.29	1639	0.37	1763	0.46	1886	0.57	2007	0.67	2127	0.79	2246	0.91	2364	1.03
		14.1		15.3		17.7		20		23		26		30		34		39		43	
1100	604	1363	0.19	1432	0.23	1560	0.31	1682	0.4	1801	0.49	1919	0.6	2035	0.71	2150	0.82	2265	0.94	2378	1.07
		15.1		16.2		18.6		21		24		27		30		35		39		44	
1150	632	1418	0.22	1486	0.26	1609	0.34	1727	0.43	1841	0.53	1954	0.63	2065	0.74	2176	0.86	2287	0.98		
		16.2		17.3		19.6		22		25		28		31		35		39			
1250	687	1531	0.27	1593	0.31	1708	0.4	1818	0.5	1925	0.6	2029	0.71	2133	0.82	2236	0.94	2338	1.07		
		18.5		19.5		22		24		27		30		33		36		40			
1350	742	1643	0.33	1702	0.38	1811	0.47	1914	0.57	2013	0.68	2111	0.79	2208	0.91	2304	1.04				
		21		22		24		27		29		32		35		39					
1400	769	1700	0.37	1756	0.42	1862	0.51	1962	0.62	2059	0.73	2154	0.84	2248	0.96	2340	1.09				
		23		24		26		28		30		33		37		40					
1500	824	1813	0.45	1866	0.5	1966	0.6	2062	0.71	2153	0.82	2242	0.94	2331	1.07						
		25		27		29		31		33		36		39							
1550	852	1869	0.49	1921	0.54	2019	0.65	2111	0.76	2201	0.87	2288	1								
		28		28		30		32		35		38									
1600	879	1926	0.54	1977	0.59	2072	0.7	2162	0.81	2250	0.93	2334	1.05								
		29		30		32		34		36		39									
1650	907	1984	0.58	2033	0.64	2126	0.75	2213	0.87	2298	0.99										
		30		31		33		35		38											
1700	934	2040	0.64	2089	0.69	2179	0.81	2265	0.93	2348	1.05										
		32		33		35		37		39											
1800	989	2155	0.75	2200	0.81	2287	0.93	2369	1.05												
		36		37		39		41													
1850	1016	2213	0.81	2257	0.87	2342	0.99														
		38		39		41															
1900	1044	2270	0.87	2313	0.93	2396	1.06														
		40		41		43															
1950	1071	2327	0.94	2370	1																
		42		43																	

Performance certified is for installation type B: Free inlet, Ducted outlet. Power rating (bhp) includes transmission losses. Performance ratings do not include the effects of appurtenances.

The sound ratings shown are loudness values in fan sones at 5 ft. (1.5 m) in a hemispherical free field calculated per AMCA Standard 301. Values shown are for installation type: B free inlet hemispherical sone levels.



JencoFan, Div. of Soler & Palau Ventilation Group certifies that the Models CTB shown herein are licensed to bear the AMCA Seal. The ratings shown are based on test and procedures performed in accordance with AMCA Publication 211 and AMCA Publication 311 and comply with the requirement of the AMCA Certified Ratings Program.



UL STANDARD 705 for Electrical
UL STANDARD 762 for
Grease Removal



Size 13

CFM	OV	Static Pressure (Inches W.G.)																	
		0.125		0.25		0.5		0.75		1		1.25		1.5		1.75		2	
		RPM	BHP	RPM	BHP	RPM	BHP	RPM	BHP	RPM	BHP	RPM	BHP	RPM	BHP	RPM	BHP	RPM	BHP
		Sones		Sones		Sones		Sones		Sones		Sones		Sones		Sones		Sones	
600	268	603	0.04	754	0.07														
		2.9		4.8															
700	313	655	0.05	788	0.08														
		3.8		5.3															
800	357	711	0.06	830	0.09	1054	0.17												
		4.7		6.1		9.3													
900	402	771	0.08	879	0.11	1082	0.19												
		5.6		6.7		9.8													
1000	446	832	0.09	932	0.13	1118	0.22	1296	0.32										
		6.4		7.6		10.5		14.1											
1100	491	895	0.11	988	0.15	1160	0.25	1325	0.35	1483	0.48	1636	0.62						
		7.3		8.5		11.3		14.8		18.3		22							
1200	536	959	0.14	1046	0.18	1207	0.28	1360	0.39	1508	0.52	1652	0.65	1792	0.81	1926	0.97		
		8.3		9.5		12.3		15.7		18.9		23		27		30			
1300	580	1024	0.17	1106	0.22	1257	0.32	1400	0.43	1539	0.56	1675	0.7	1807	0.85	1936	1.02	2060	1.19
		9.4		10.6		13.5		16.7		19.7		23		27		31		35	
1400	625	1089	0.2	1168	0.25	1310	0.36	1445	0.48	1576	0.61	1704	0.75	1829	0.91	1951	1.07	2071	1.25
		10.6		11.9		14.8		17.7		21		24		28		31		35	
1500	670	1156	0.24	1230	0.3	1366	0.41	1493	0.53	1617	0.66	1737	0.81	1856	0.97	1972	1.13	2087	1.31
		12		13.3		16.1		18.8		22		25		28		32		36	
1600	714	1222	0.28	1294	0.34	1423	0.46	1544	0.59	1661	0.73	1775	0.87	1888	1.03	1999	1.2	2108	1.38
		13.4		14.7		17.4		20		23		26		29		33		37	
1700	759	1290	0.33	1357	0.39	1481	0.52	1597	0.65	1708	0.79	1817	0.94	1924	1.11	2030	1.28		
		14.9		16.2		18.7		21		24		27		31		34			
1800	804	1357	0.39	1422	0.45	1541	0.58	1652	0.72	1758	0.87	1862	1.02	1964	1.19	2065	1.36		
		16.4		17.7		20		23		26		28		32		35			
1900	848	1425	0.45	1488	0.52	1602	0.65	1708	0.8	1810	0.95	1910	1.11	2007	1.28	2104	1.45		
		17.9		19.2		22		24		27		30		33		37			
2000	893	1493	0.51	1553	0.59	1663	0.73	1766	0.88	1864	1.04	1959	1.2	2053	1.37				
		19.5		21		23		26		29		32		35					
2100	938	1562	0.59	1620	0.66	1726	0.82	1825	0.97	1919	1.13	2011	1.3	2101	1.48				
		21		23		25		28		30		33		36					
2200	982	1630	0.67	1686	0.75	1789	0.91	1884	1.07	1976	1.24	2065	1.41						
		23		24		27		29		32		35							
2300	1027	1700	0.75	1753	0.84	1853	1.01	1945	1.17	2033	1.35	2119	1.52						
		25		26		29		31		34		37							
2400	1071	1769	0.85	1821	0.94	1917	1.11	2006	1.29	2092	1.46								
		27		28		30		33		36									
2500	1116	1838	0.95	1889	1.04	1981	1.22	2069	1.41										
		29		30		32		35											
2600	1161	1907	1.06	1956	1.16	2047	1.35												
		30		32		35													
2700	1205	1977	1.18	2024	1.28	2112	1.48												
		33		34		37													
2800	1250	2046	1.31	2092	1.41														
		35		36															
2900	1295	2116	1.45																
		37																	

Performance certified is for installation type B: Free inlet, Ducted outlet. Power rating (bhp) includes transmission losses. Performance ratings do not include the effects of appurtenances.

The sound ratings shown are loudness values in fan sones at 5 ft. (1.5 m) in a hemispherical free field calculated per AMCA Standard 301. Values shown are for installation type: B free inlet hemispherical sone levels.



JencoFan, Div. of Soler & Palau Ventilation Group certifies that the Models CTB shown herein are licensed to bear the AMCA Seal. The ratings shown are based on test and procedures performed in accordance with AMCA Publication 211 and AMCA Publication 311 and comply with the requirement of the AMCA Certified Ratings Program.



UL STANDARD 705 for Electrical
UL STANDARD 762 for Grease Removal



Size 15

CFM	OV	Static Pressure (Inches W.G.)																					
		0.125		0.25		0.5		0.75		1		1.25		1.5		1.75		2		2.25		2.5	
		RPM	BHP	RPM	BHP	RPM	BHP	RPM	BHP	RPM	BHP	RPM	BHP	RPM	BHP	RPM	BHP	RPM	BHP	RPM	BHP	RPM	BHP
		Sones		Sones		Sones		Sones		Sones		Sones		Sones		Sones		Sones		Sones		Sones	
900	281	586	0.05	699	0.08	890	0.16	1052	0.23	1195	0.32	1323	0.41										
		3.3		4.7		7.6		10.3		13.1		16.1											
1000	313	625	0.06	731	0.09	913	0.17	1070	0.26	1209	0.35	1335	0.45	1451	0.55	1559	0.66						
		3.8		5.2		7.9		10.6		13.3		16.2		19		22							
1100	344	666	0.07	765	0.11	938	0.19	1090	0.28	1225	0.38	1349	0.48	1463	0.59	1570	0.7	1670	0.82	1765	0.94		
		4.4		5.6		8.3		10.9		13.7		16.6		19.3		22		25		27			
1200	375	707	0.09	801	0.13	966	0.21	1112	0.31	1244	0.41	1365	0.52	1477	0.63	1582	0.75	1681	0.87	1775	1	1864	1.13
		4.9		6.1		8.7		11.3		14.1		16.9		19.6		23		25		27		30	
1300	406	750	0.1	839	0.15	996	0.23	1137	0.34	1265	0.45	1382	0.56	1492	0.68	1596	0.8	1693	0.93	1786	1.06	1874	1.19
		5.6		6.7		9.2		11.7		14.4		17.3		19.9		23		25		28		30	
1500	469	839	0.14	918	0.19	1062	0.29	1192	0.4	1312	0.52	1424	0.64	1529	0.77	1629	0.9	1723	1.04	1813	1.18	1899	1.33
		6.9		7.9		10.2		12.8		15.5		18.2		21		24		26		29		31	
1700	531	929	0.19	1002	0.24	1134	0.35	1255	0.47	1367	0.6	1473	0.73	1573	0.87	1669	1.01	1759	1.16	1847	1.32		
		8.2		9.3		11.6		14.2		16.8		19.3		22		25		27		30			
1900	594	1022	0.25	1088	0.3	1210	0.43	1323	0.56	1428	0.69	1529	0.84	1624	0.98	1715	1.14	1802	1.3	1886	1.46		
		9.9		10.8		13.2		15.5		18.1		21		23		26		28		31			
2000	625	1068	0.28	1132	0.34	1249	0.47	1358	0.6	1461	0.75	1558	0.89	1651	1.05	1740	1.2	1826	1.37	1908	1.53		
		10.7		11.8		14.1		16.4		18.8		22		24		27		29		32			
2100	656	1116	0.32	1176	0.38	1289	0.51	1395	0.65	1495	0.8	1589	0.95	1680	1.11	1767	1.27	1850	1.44				
		11.6		12.6		14.9		17.3		19.7		22		25		27		30					
2300	719	1210	0.41	1266	0.47	1372	0.62	1471	0.77	1565	0.92	1655	1.09	1741	1.25	1824	1.43	1904	1.6				
		13.6		14.6		16.7		19.1		22		24		26		29		31					
2400	750	1258	0.45	1312	0.53	1414	0.67	1511	0.83	1602	0.99	1689	1.16	1773	1.33	1854	1.51						
		14.7		15.6		17.7		20		23		25		27		30							
2500	781	1306	0.51	1358	0.58	1457	0.74	1550	0.9	1639	1.06	1724	1.23	1806	1.41	1885	1.59						
		15.7		16.7		18.8		21		24		26		28		31							
2700	844	1402	0.63	1451	0.71	1544	0.87	1632	1.04	1716	1.22	1797	1.4	1875	1.59								
		17.8		18.8		21		23		26		28		30									
2800	875	1450	0.69	1498	0.77	1588	0.94	1673	1.12	1755	1.3	1834	1.49	1911	1.68								
		19.1		20		22		24		27		29		32									
2900	906	1499	0.76	1544	0.85	1632	1.02	1716	1.2	1795	1.39	1873	1.58										
		20		21		23		25		28		30											
3100	969	1596	0.92	1639	1.01	1722	1.2	1801	1.39	1877	1.58												
		23		24		26		28		30													
3300	1031	1693	1.09	1734	1.19	1813	1.39	1888	1.59														
		26		27		28		30															
3500	1094	1791	1.29	1830	1.4	1904	1.6																
		28		29		31																	
3600	1125	1840	1.4	1878	1.51																		
		30		31																			

Performance certified is for installation type B: Free inlet, Ducted outlet. Power rating (bhp) includes transmission losses. Performance ratings do not include the effects of appurtenances.

The sound ratings shown are loudness values in fan sones at 5 ft. (1.5 m) in a hemispherical free field calculated per AMCA Standard 301. Values shown are for installation type: B free inlet hemispherical sone levels.



JencoFan, Div. of Soler & Palau Ventilation Group certifies that the Models CTB shown herein are licensed to bear the AMCA Seal. The ratings shown are based on test and procedures performed in accordance with AMCA Publication 211 and AMCA Publication 311 and comply with the requirement of the AMCA Certified Ratings Program.



**UL STANDARD 705 for Electrical
UL STANDARD 762 for
Grease Removal**



Size 18

CFM	OV	Static Pressure (Inches W.G.)																					
		0.125		0.25		0.5		0.75		1		1.25		1.5		1.75		2		2.25		2.5	
		RPM	BHP	RPM	BHP	RPM	BHP	RPM	BHP	RPM	BHP	RPM	BHP	RPM	BHP	RPM	BHP	RPM	BHP	RPM	BHP	RPM	BHP
		Sones		Sones		Sones		Sones		Sones		Sones		Sones		Sones		Sones		Sones		Sones	
1200	240	448	0.06	540	0.1	708	0.21																
		3.8		5.6		9.1																	
1500	300	515	0.09	593	0.14	736	0.25	869	0.39	992	0.54												
		4.9		6.4		9.6		12.7		15.8													
1800	360	588	0.13	655	0.19	779	0.31	896	0.45	1008	0.62	1114	0.79	1214	0.97								
		6.3		7.3		10.2		13.2		16.2		19.1		22									
2100	420	663	0.18	723	0.25	834	0.38	938	0.53	1038	0.72	1134	0.89	1227	1.09	1317	1.29	1403	1.5				
		7.7		8.5		11		13.8		16.6		19.4		22		25		28					
2400	480	741	0.25	795	0.32	895	0.47	989	0.63	1079	0.81	1166	1	1252	1.22	1335	1.44	1415	1.66	1494	1.89		
		9.2		9.9		12.1		14.7		17.4		20		23		26		28		31			
2700	540	820	0.33	870	0.41	961	0.58	1046	0.75	1129	0.94	1209	1.14	1287	1.36	1364	1.59	1438	1.83	1512	2.08	1583	2.33
		10.7		11.4		13.4		15.8		18.4		21		24		26		29		32		34	
3000	600	899	0.44	946	0.52	1030	0.7	1109	0.89	1185	1.09	1259	1.31	1331	1.53	1401	1.76	1471	2.01	1539	2.27	1607	2.54
		12.5		13.2		14.9		17.2		19.6		22		25		27		29		32		35	
3300	660	980	0.56	1023	0.66	1102	0.85	1175	1.05	1246	1.27	1314	1.49	1381	1.73	1447	1.97	1512	2.22	1575	2.49	1638	2.76
		14.3		15.1		16.7		18.7		21		23		26		28		30		33		35	
3600	720	1061	0.71	1101	0.81	1175	1.02	1244	1.24	1310	1.47	1374	1.7	1437	1.95	1498	2.2	1558	2.47	1618	2.74		
		16.2		16.9		18.6		20		23		25		27		29		31		34			
3900	780	1143	0.88	1181	0.99	1250	1.22	1315	1.45	1377	1.69	1438	1.94	1496	2.2	1554	2.47	1611	2.74				
		18.3		18.8		20		22		24		26		28		30		33					
4200	840	1225	1.08	1261	1.2	1326	1.45	1388	1.69	1447	1.95	1504	2.21	1559	2.48	1614	2.76						
		20		21		22		24		26		28		29		32							
4500	900	1307	1.3	1341	1.44	1403	1.7	1462	1.97	1518	1.97	1572	2.51	1625	2.79								
		23		23		24		26		27		29		31									
4800	960	1390	1.56	1422	1.7	1481	1.99	1537	2.27	1591	2.55												
		25		25		26		28		29													
5100	1020	1473	1.86	1503	2.01	1560	2.3	1613	2.6														
		27		27		28		30															
5400	1080	1556	2.18	1585	2.34	1639	2.66																
		29		30		31																	
5700	1140	1639	2.55																				
		32																					

Performance certified is for installation type B: Free inlet, Ducted outlet. Power rating (bhp) includes transmission losses. Performance ratings do not include the effects of appurtenances.

The sound ratings shown are loudness values in fan sones at 5 ft. (1.5 m) in a hemispherical free field calculated per AMCA Standard 301. Values shown are for installation type: B free inlet hemispherical sone levels.



JencoFan, Div. of Soler & Palau Ventilation Group certifies that the Models CTB shown herein are licensed to bear the AMCA Seal. The ratings shown are based on test and procedures performed in accordance with AMCA Publication 211 and AMCA Publication 311 and comply with the requirement of the AMCA Certified Ratings Program.



UL STANDARD 705 for Electrical
UL STANDARD 762 for Grease Removal



Size 22

CFM	OV	Static Pressure (Inches W.G.)																	
		0.125		0.25		0.5		0.75		1		1.25		1.5		1.75		2	
		RPM	BHP	RPM	BHP	RPM	BHP	RPM	BHP	RPM	BHP	RPM	BHP	RPM	BHP	RPM	BHP	RPM	BHP
		Sones		Sones		Sones		Sones		Sones		Sones		Sones		Sones		Sones	
1200	166	346	0.06	443	0.11	607	0.23	741	0.37										
		1.9		3.4		6.2		8.8											
1600	222	397	0.08	478	0.14	621	0.29	746	0.44	857	0.62	957	0.81						
		2.9		4.1		6.5		8.9		11.4		13.9							
2000	277	455	0.12	526	0.19	650	0.35	763	0.53	866	0.72	961	0.93	1050	1.16	1132	1.39	1210	1.63
		4.1		5.1		7.1		9.3		11.6		14.1		16.4		18.7		21	
2400	332	517	0.17	580	0.25	691	0.42	792	0.63	886	0.84	975	1.06	1059	1.31	1138	1.56	1213	1.82
		5.3		6.1		7.9		10.1		12.1		14.4		16.7		18.9		21	
2800	388	580	0.24	639	0.33	740	0.52	831	0.73	917	0.97	999	1.22	1077	1.47	1152	1.74	1223	2.02
		6.6		7.4		9.1		11.1		13.1		15.2		17.3		19.3		22	
3200	443	646	0.33	700	0.43	793	0.64	877	0.87	956	1.12	1031	1.39	1104	1.66	1174	1.95	1241	2.24
		7.9		8.8		10.4		12.3		14.2		16.1		18.2		20		22	
3600	499	712	0.43	763	0.55	850	0.78	928	1.03	1001	1.29	1071	1.57	1139	1.88	1204	2.18	1267	2.5
		9.5		10.3		12.1		13.7		15.6		17.4		19.2		21		23	
4000	554	779	0.57	827	0.69	910	0.95	983	1.22	1051	1.5	1117	1.79	1179	2.1	1241	2.42		
		11.2		12		13.8		15.5		17.2		18.9		21		22			
4400	609	846	0.72	892	0.86	971	1.14	1040	1.43	1105	1.73	1166	2.04	1225	2.37				
		13		13.8		15.6		17.3		18.9		21		22					
4800	665	914	0.91	958	1.06	1033	1.37	1099	1.68	1160	2	1219	2.33	1275	2.67				
		14.9		15.8		17.5		19.2		21		22		24					
5200	720	982	1.12	1024	1.29	1097	1.62	1160	1.96	1218	2.3	1274	2.65						
		16.9		17.9		19.7		21		22		24							
5600	776	1050	1.36	1091	1.55	1161	1.91	1222	2.27										
		19.2		20		22		23											
6000	831	1119	1.64	1159	1.85	1226	2.24												
		21		22		23													
6400	886	1188	1.96	1226	2.18														
		23		24															
6800	942	1258	2.32																
		26																	

Performance certified is for installation type B: Free inlet, Ducted outlet. Power rating (bhp) includes transmission losses. Performance ratings do not include the effects of appurtenances.

The sound ratings shown are loudness values in fan sones at 5 ft. (1.5 m) in a hemispherical free field calculated per AMCA Standard 301. Values shown are for installation type: B free inlet hemispherical sone levels.



JencoFan, Div. of Soler & Palau Ventilation Group certifies that the Models CTB shown herein are licensed to bear the AMCA Seal. The ratings shown are based on test and procedures performed in accordance with AMCA Publication 211 and AMCA Publication 311 and comply with the requirement of the AMCA Certified Ratings Program.



UL STANDARD 705 for Electrical UL STANDARD 762 for Grease Removal



Size 24

CFM	OV	Static Pressure (Inches W.G.)																					
		0.125		0.25		0.5		0.75		1		1.25		1.5		1.75		2		2.25		2.5	
		RPM	BHP	RPM	BHP	RPM	BHP	RPM	BHP	RPM	BHP	RPM	BHP	RPM	BHP	RPM	BHP	RPM	BHP	RPM	BHP	RPM	BHP
		Sones		Sones		Sones		Sones		Sones		Sones		Sones		Sones		Sones		Sones		Sones	
2000	201	339	0.09	412	0.16	542	0.32	652	0.5	748	0.7	834	0.92	912	1.14	984	1.37						
		5.2		7.3		13.2		18.9		24		28		33		37							
2500	252	383	0.13	449	0.21	564	0.39	665	0.6	756	0.82	840	1.06	916	1.31	987	1.57	1054	1.84				
		6.6		8.8		14.5		19.5		24		28		33		38		42					
3000	302	434	0.19	492	0.27	595	0.47	687	0.7	772	0.95	851	1.21	925	1.48	994	1.77	1059	2.07	1121	2.37		
		8.4		10.8		16.2		21		25		29		34		38		43		48			
3500	352	486	0.25	539	0.36	632	0.58	717	0.82	795	1.09	869	1.37	939	1.67	1006	1.98	1069	2.3	1129	2.63	1187	2.97
		10.7		13.4		18.1		22		26		30		34		39		43		49		55	
4000	402	540	0.34	588	0.46	678	0.7	752	0.97	825	1.25	894	1.56	960	1.87	1023	2.21	1083	2.55	1141	2.91	1197	3.27
		13.7		16.1		20		24		27		32		35		40		45		50		56	
4500	453	595	0.46	640	0.58	719	0.85	794	1.14	859	1.44	924	1.76	986	2.1	1046	2.45	1103	2.82	1158	3.2	1212	3.58
		16.7		18.8		23		26		29		33		37		41		46		52		58	
5000	503	651	0.59	693	0.73	767	1.02	838	1.33	898	1.66	958	2	1017	2.36	1073	2.73	1128	3.11	1180	3.51	1232	3.92
		19.6		21		25		28		32		35		39		44		49		55		60	
5500	553	708	0.76	747	0.91	816	1.23	880	1.56	944	1.9	996	2.26	1051	2.64	1105	3.03	1156	3.44	1207	3.85		
		23		24		28		31		35		38		42		47		52		57		62	
6000	604	765	0.95	802	1.12	867	1.46	927	1.81	987	2.18	1042	2.56	1089	2.96	1140	3.37	1189	3.79				
		26		27		31		34		37		42		45		50		55		60		65	
6500	654	823	1.18	857	1.36	919	1.73	976	2.1	1030	2.49	1085	2.9	1135	3.32	1178	3.75	1225	4.19				
		29		31		34		37		41		45		50		54		60		65		70	
7000	704	881	1.44	913	1.63	972	2.03	1026	2.43	1077	2.84	1126	3.27	1179	3.71	1224	4.16						
		33		34		38		41		45		49		55		60		65		70		75	
7500	755	939	1.74	970	1.95	1026	2.37	1078	2.8	1126	3.23	1173	3.68	1218	4.14								
		36		38		42		45		50		54		59		64		69		74		79	
8000	805	998	2.08	1027	2.3	1080	2.75	1130	3.21	1177	3.67	1221	4.14										
		40		42		46		51		55		60		65		70		75		80		85	
8500	855	1056	2.46	1084	2.7	1135	3.18	1183	3.66	1228	4.14												
		45		47		52		56		61		66		71		76		81		86		91	
9000	905	1115	2.89	1142	3.15	1191	3.65																
		50		53		58		63		68		73		78		83		88		93		98	
9500	956	1174	3.37	1199	3.64																		
		56		59		64		69		74		79		84		89		94		99		104	
10000	1006	1233	3.9																				
		63		68		73		78		83		88		93		98		103		108		113	

Performance certified is for installation type B: Free inlet, Ducted outlet. Power rating (bhp) includes transmission losses. Performance ratings do not include the effects of appurtenances.

The sound ratings shown are loudness values in fan sones at 5 ft. (1.5 m) in a hemispherical free field calculated per AMCA Standard 301. Values shown are for installation type: B free inlet hemispherical sone levels.



JencoFan, Div. of Soler & Palau Ventilation Group certifies that the Models CTB shown herein are licensed to bear the AMCA Seal. The ratings shown are based on test and procedures performed in accordance with AMCA Publication 211 and AMCA Publication 311 and comply with the requirement of the AMCA Certified Ratings Program.



UL STANDARD 705 for Electrical
UL STANDARD 762 for Grease Removal



Size 30

CFM	OV	Static Pressure (Inches W.G.)																					
		0.125		0.25		0.5		0.75		1		1.25		1.5		1.75		2		2.25		2.5	
		RPM	BHP	RPM	BHP	RPM	BHP	RPM	BHP	RPM	BHP	RPM	BHP	RPM	BHP	RPM	BHP	RPM	BHP	RPM	BHP	RPM	BHP
		Sones		Sones		Sones		Sones		Sones		Sones		Sones		Sones		Sones		Sones		Sones	
2250	177	246	0.1	316	0.19	425	0.41	512	0.67														
		4.3		6.6		11.1		15.6															
3000	236	279	0.14	341	0.25	442	0.5	525	0.8	598	1.12												
		5.6		7.6		11.9		16.4		20													
3750	295	316	0.21	372	0.33	465	0.62	544	0.94	613	1.3	676	1.68	733	2.08	787	2.5						
		6.9		8.8		13.1		17.4		21		24		28		31							
4500	354	357	0.29	407	0.44	493	0.76	567	1.11	633	1.5	693	1.91	749	2.35	801	2.81	850	3.28	896	3.77	941	4.28
		8.6		10.6		14.5		18.5		22		25		28		32		36		40		44	
5250	413	399	0.41	444	0.57	524	0.92	593	1.31	656	1.73	714	2.17	768	2.64	818	3.13	866	3.64	911	4.17	954	4.71
		10.6		12.6		16.5		19.6		23		26		30		33		37		41		45	
6000	472	443	0.55	484	0.73	558	1.12	623	1.55	683	1.99	738	2.47	790	2.97	838	3.49	885	4.04	929	4.6	971	5.17
		12.9		14.9		18.5		21		25		28		31		35		39		43		47	
6750	531	488	0.73	526	0.94	594	1.36	656	1.82	712	2.3	765	2.81	815	3.34	862	3.89	906	4.47	949	5.06	990	5.67
		15.4		17.6		21		23		26		29		33		36		40		45		49	
7500	591	534	0.95	569	1.18	632	1.64	690	2.13	744	2.66	794	3.19	842	3.75	887	4.34	931	4.94	972	5.56	1012	6.21
		18.2		19.8		23		26		28		32		35		39		42		46		51	
8250	650	581	1.22	613	1.46	672	1.97	727	2.49	778	3.04	826	3.62	872	4.22	915	4.83	957	5.47	997	6.12	1036	6.79
		21		22		25		28		31		34		37		40		44		49		54	
9000	709	628	1.53	657	1.8	713	2.34	765	2.9	813	3.49	859	4.1	903	4.73	945	5.38	985	6.04				
		23		25		28		31		34		37		40		43		47					
9750	768	675	1.9	703	2.18	755	2.77	804	3.37	850	3.99	894	4.64	936	5.3	977	5.98						
		26		28		31		34		37		40		43		47							
10500	827	723	2.32	749	2.63	798	3.25	844	3.89	889	4.56	931	5.23	971	5.93								
		29		31		34		37		41		44		47									
11250	886	771	2.81	795	3.13	842	3.8	886	4.48	928	5.18	968	5.9										
		33		34		38		41		44		47											
12000	945	819	3.36	842	3.71	886	4.42	928	5.14	968	5.87												
		36		38		42		45		48													
12750	1004	868	3.98	889	4.35	931	5.1	971	5.86														
		40		42		45		49															
13500	1063	916	4.67	937	5.07	976	5.86																
		45		46		50																	
14250	1122	965	5.45	984	5.86																		
		49		51																			

Performance certified is for installation type B: Free inlet, Ducted outlet. Power rating (bhp) includes transmission losses. Performance ratings do not include the effects of appurtenances.

The sound ratings shown are loudness values in fan sones at 5 ft. (1.5 m) in a hemispherical free field calculated per AMCA Standard 301. Values shown are for installation type: B free inlet hemispherical sone levels.



JencoFan, Div. of Soler & Palau Ventilation Group certifies that the Models CTB shown herein are licensed to bear the AMCA Seal. The ratings shown are based on test and procedures performed in accordance with AMCA Publication 211 and AMCA Publication 311 and comply with the requirement of the AMCA Certified Ratings Program.



UL STANDARD 705 for Electrical
UL STANDARD 762 for Grease Removal



Size 36

CFM	OV	Static Pressure (Inches W.G.)															
		0.125		0.25		0.5		0.75		1		1.25		1.5		1.75	
		RPM	BHP	RPM	BHP	RPM	BHP	RPM	BHP	RPM	BHP	RPM	BHP	RPM	BHP	RPM	BHP
		Sones		Sones		Sones		Sones		Sones		Sones		Sones		Sones	
4600	276	247	0.23	307	0.4	402	0.79	478	1.21	543	1.66	600	2.13				
		4.3		6.3		10.4		15.3		18.4		21					
5400	324	269	0.3	323	0.5	415	0.93	489	1.4	553	1.89	610	2.41	662	2.95	710	3.51
		5.2		6.9		11.2		16		18.9		22		25		28	
6200	372	293	0.39	342	0.6	429	1.08	502	1.6	565	2.14	621	2.71	672	3.3	719	3.9
		6		7.8		12.3		16.7		19.7		23		26		29	
7000	420	319	0.5	362	0.73	444	1.25	515	1.82	577	2.41	632	3.02	683	3.66		
		7.2		8.7		13.7		17.4		21		23		26			
7800	468	346	0.63	385	0.88	461	1.44	529		590	2.69	644	3.36	694	4.04		
		8.6		9.8		15.1		18.2		21		24		27			
8600	517	374	0.79	409	1.06	479	1.65	544	2.31	603	3	657	3.71	707	4.44		
		10.2		11.2		16.1		19.1		22		25		28			
9400	565	403	0.98	435	1.26	499	1.89	561	2.59	618	3.32	671	4.08	720	4.86		
		12.2		13.3		17.2		20		23		26		29			
10200	613	432	1.21	461	1.5	521	2.17	579	2.9	634	3.68	685	4.48				
		14.4		15.9		18.2		21		24		27					
11000	661	462	1.46	488	1.78	544	2.47	599	3.24	651	4.06	701	4.91				
		17.2		17.5		19.4		22		25		28					
11800	709	492	1.76	516	2.09	567	2.82	619	3.62	669	4.48	717	5.37				
		18.9		19.2		21		23		27		30					
12600	757	522	2.09	545	2.44	592	3.2	641	4.04	689	4.93						
		21		21		22		25		28							
13400	805	552	2.47	573	2.84	618	3.63	664	4.5	709	5.42						
		23		23		24		26		29							
14200	853	582	2.9	603	3.28	644	4.1	687	5								
		25		25		25		28									
15000	901	613	3.37	632	3.77	671	4.63	712	5.56								
		27		27		28		30									
16100	967	656	4.1	673	4.53	709	5.43										
		29		30		31											
16900	1015	687	4.7	703	5.14												
		32		33													
17700	1063	717	5.36														
		35															

Performance certified is for installation type B: Free inlet, Ducted outlet. Power rating (bhp) includes transmission losses. Performance ratings do not include the effects of appurtenances.

The sound ratings shown are loudness values in fan sones at 5 ft. (1.5 m) in a hemispherical free field calculated per AMCA Standard 301. Values shown are for installation type: B free inlet hemispherical sone levels.



JencoFan, Div. of Soler & Palau Ventilation Group certifies that the Models CTB shown herein are licensed to bear the AMCA Seal. The ratings shown are based on test and procedures performed in accordance with AMCA Publication 211 and AMCA Publication 311 and comply with the requirement of the AMCA Certified Ratings Program.



UL STANDARD 705 for Electrical UL STANDARD 762 for Grease Removal



Size 42

CFM	OV	Static Pressure (Inches W.G.)									
		0.25		0.5		0.75		1		1.25	
		RPM	BHP	RPM	BHP	RPM	BHP	RPM	BHP	RPM	BHP
		Sones		Sones		Sones		Sones		Sones	
8300	414	308	1.01	383	1.79	446	2.64	500	3.53	549	4.48
		8.7		12		15.2		18.8		23	
9300	464	325	1.21	397	2.06	458	2.97	511	3.94	559	4.95
		9.8		12.8		16		20		24	
10300	514	344	1.44	412	2.36	471	3.34	523	4.38		
		10.8		13.8		17.2		21			
11300	564	363	1.71	428	2.69	485	3.74	536	4.85		
		11.8		14.9		18.4		23			
12300	613	383	2.02	445	3.07	501	4.18	550	5.35		
		12.9		15.9		19.8		24			
13300	663	403	2.38	463	3.49	516	4.67	564	5.91		
		14.2		17.3		22		26			
14300	713	426	2.78	481	3.95	532	5.2				
		15.7		18.8		23					
15300	763	448	3.23	500	4.46	548	5.78				
		17.2		21		25					
16300	813	470	3.73	520	5.03						
		18.6		23							
17300	863	493	4.29	540	5.66						
		21		25							
18300	913	516	4.92	561	6.35						
		23		27							
19300	963	540	5.6								
		26									
20300	1012	563	6.36								
		28									

Performance certified is for installation type B: Free inlet, Ducted outlet. Power rating (bhp) includes transmission losses. Performance ratings do not include the effects of appurtenances.

The sound ratings shown are loudness values in fan sones at 5 ft. (1.5 m) in a hemispherical free field calculated per AMCA Standard 301. Values shown are for installation type: B free inlet hemispherical sone levels.



JencoFan, Div. of Soler & Palau Ventilation Group certifies that the Models CTB shown herein are licensed to bear the AMCA Seal. The ratings shown are based on test and procedures performed in accordance with AMCA Publication 211 and AMCA Publication 311 and comply with the requirement of the AMCA Certified Ratings Program.



UL STANDARD 705 for Electrical
UL STANDARD 762 for
Grease Removal

MODELS LCE/LCS, L2E/L2S, L3E/L3S

BELT DRIVE SIDEWALL PROPELLER FANS

LINE OVERVIEW




JencoFan's Belt Drive Sidewall Propeller Fan line is designed to exhaust or supply large volumes of air at relatively low static pressures. With 3 levels of construction, the belt drive models are for use in a variety of applications for commercial, industrial and agricultural buildings such as manufacturing and assembly plants, warehouses, parking garages, gymnasiums, equipment rooms, distribution centers, foundries, boiler rooms, greenhouses and OEM applications. The direct drive models provide general ventilation for a wide variety of buildings and enclosed areas within buildings. Examples include factories, assembly plants, warehouses, gymnasiums, garages, jails, machine rooms and many others.

These Sidewall Propeller Fans are rated from 3,000 to 85,000 CFM with static pressures to 1" w.g. Models range from 20 to 72". A wide range of accessories are available to meet any need or specification. See the below Model Comparison to find the right Belt Drive Sidewall Propeller Fan for your application.

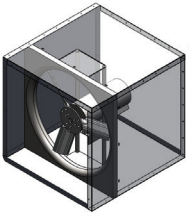
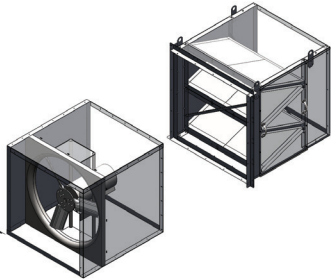
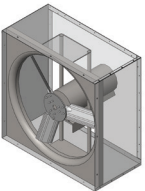
Models LCE & LCS are available in our Quickship program. Most sizes are available for next day or 10-day shipping from stock.



MODEL COMPARISON

Construction Level		Model	Size Range	Performance
1	 G90 galvanized steel blades bolted to an epoxy coated hub	LCE LCS	20 to 60"	3,000 to 40,000 CFM up to .625" w.g.
2	 G90 galvanized steel blade bolted to a welded, structural steel hub plate	L2E L2S	24 to 60"	5,000 to 47,000 CFM up to .75" w.g.
3	 G90 galvanized steel with double 16 gauge laminations bolted to a welded, structural steel hub plate	L3E L3S	42 to 72"	35,000 to 85,000 CFM up to 1" w.g..

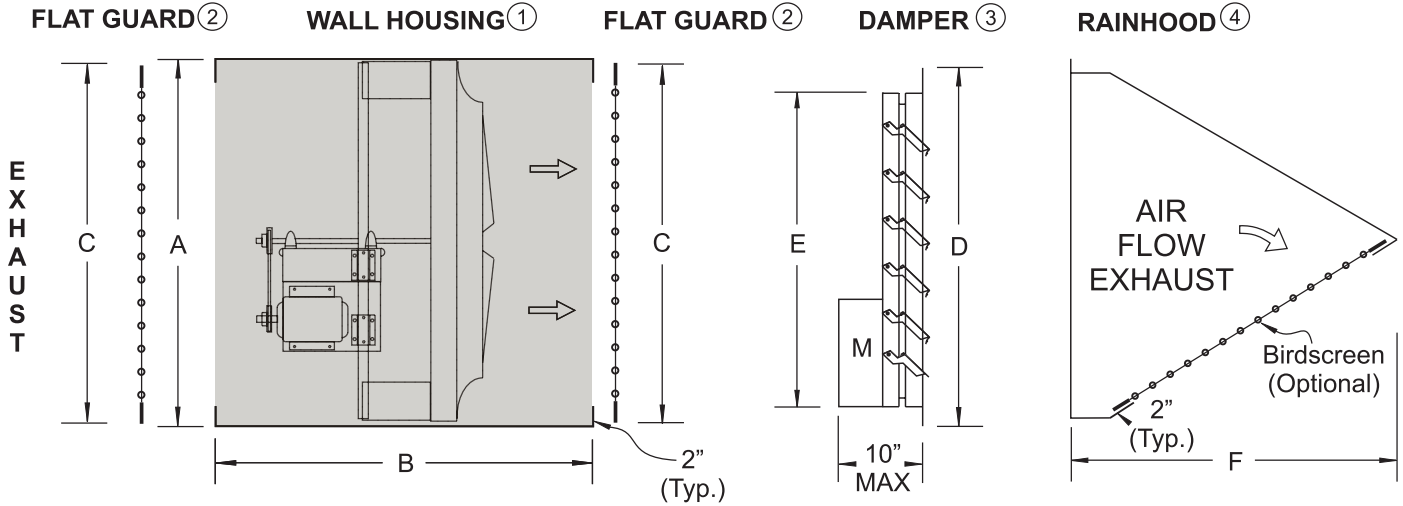
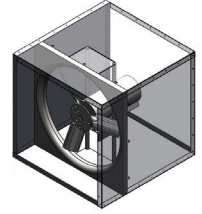
MOUNTING ARRANGEMENT OPTIONS

Mounting Arrangement	Description
Wall Housing 	Heavy-gauge, all galvanized G-90 steel housing provides a simple solution to installing a fan and all required accessories in a rough wall opening. It can be used in exhaust or supply applications and in fan sizes 20 through 72 inch.
Filtered Wall Housing 	For installations where filtering is required. Heavy-gauge, all galvanized G-90 steel filtered wall housings are available in both supply and exhaust configurations. They are available in eight (8) sizes for fans ranging from size 20 to 60 inches. They are designed with the draw-thru concept to achieve the highest filter and fan efficiencies.
Wall Collar 	Heavy-gauge, all G-90 galvanized mounting collar provides a simple solution to installing a fan in a rough wall opening when a rear safety guard is NOT required.

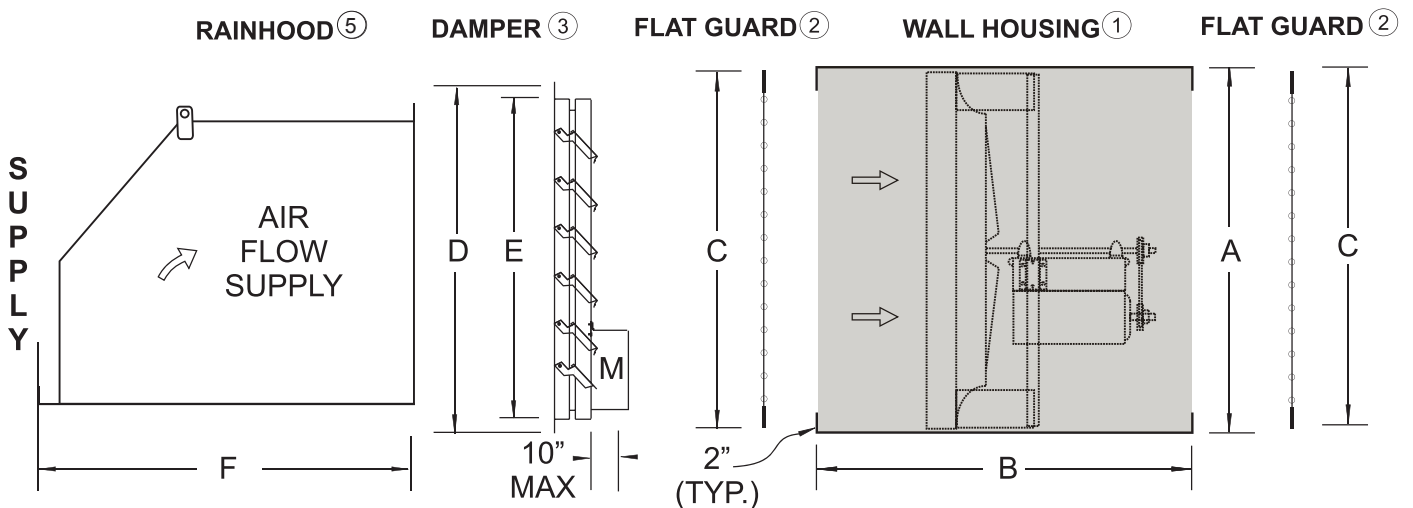


WALL HOUSING MOUNTING OPTION

This heavy-gauge, all galvanized G-90 steel housing provides a simple solution to installing a fan and all required accessories in a rough wall opening. It can be used in exhaust or supply applications and in fan sizes 20 through 72 inch. Depending on space and maintenance requirements, the wall housing may be installed inward or outward of the building. All housings ship assembled with the fan to lessen job site installation costs. Wire guards, shutters and and/or rainhoods may be attached to the prepunched flange. We strongly recommend rainhoods and motorized shutters for all supply applications and whenever additional weather protection is desired.



Fan Size	Wall Housing ①		Minimum Wall Opening	Flat Guard ②	Damper ③		Exhaust	Supply
	A (Sq. O.D)	B Length			Optional Rainhood 45 Deg. ④	Required Rainhood 90 Deg. ⑤		
		Exh/Sup						
	LC, L2 & L3	(Sq)	C (Sq)	D (O.D)	E	F	F	
20	25	44	25 1/2	24	22 1/2	20	24 1/4	27 3/4
24	31	44	31 1/2	30	28 1/2	26	28 1/2	38 1/2
30	37	44	37 1/2	36	34 1/2	32	34 1/2	44 1/2
36	43	44	43 1/2	42	40 1/2	38	40 1/2	49
42	49	44	49 1/2	48	46 1/2	44	44 1/2	56 1/2
48	55	44	55 1/2	54	52 1/2	50	49 1/2	62 1/2
54	61	44	61 1/2	60	58 1/2	56	55	73
60	67	44	67 1/2	66	64 1/2	62	69	73
72	81	44	81 1/2	80	78 1/2	76	75 1/2	73

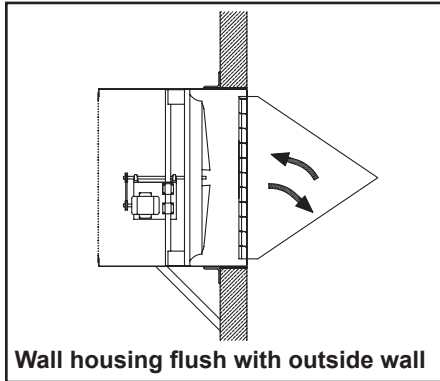


Rainhood recommended for supply applications.

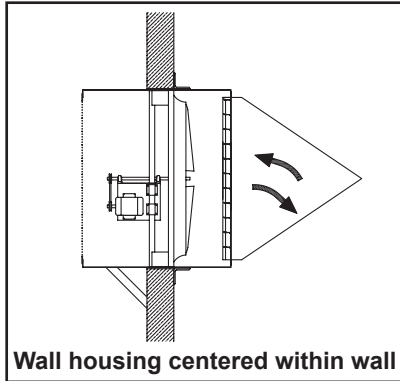


WALL HOUSING STANDARD MOUNTING ARRANGEMENTS

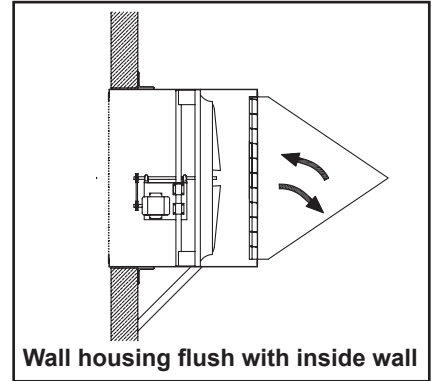
The most common mounting arrangement (below left) leaves a clean building exterior and allows access to the fan, motor and drives from inside the building. Additional bracing angle, rod or cable (field provided) should be used in addition to the mounting angles to support the fan and wall housing assembly.



Wall housing flush with outside wall



Wall housing centered within wall

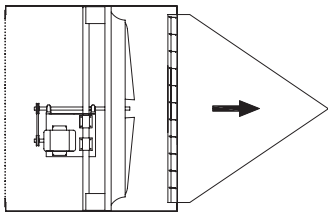


Wall housing flush with inside wall

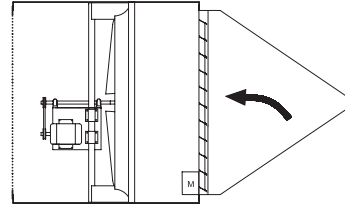
NOTE: Supply applications have the fan venturi spun on the opposite side of the fans shown above. The fans shown are exhaust. Rainhoods are required on supply applications and recommended on exhaust applications where additional weather protection is desired. Exhaust and/or supply fans installed as shown should be serviced from the interior of the building. Where service is required from the exterior of the building, consult the factory or representative for recommendations. All bracing shown is field provided. Field flashing and caulking of wall housing seams and unused mounting holes, will ensure a weather resistant installation.

PRESSURE LOSS GUIDE FOR WALL HOUSING ACCESSORIES

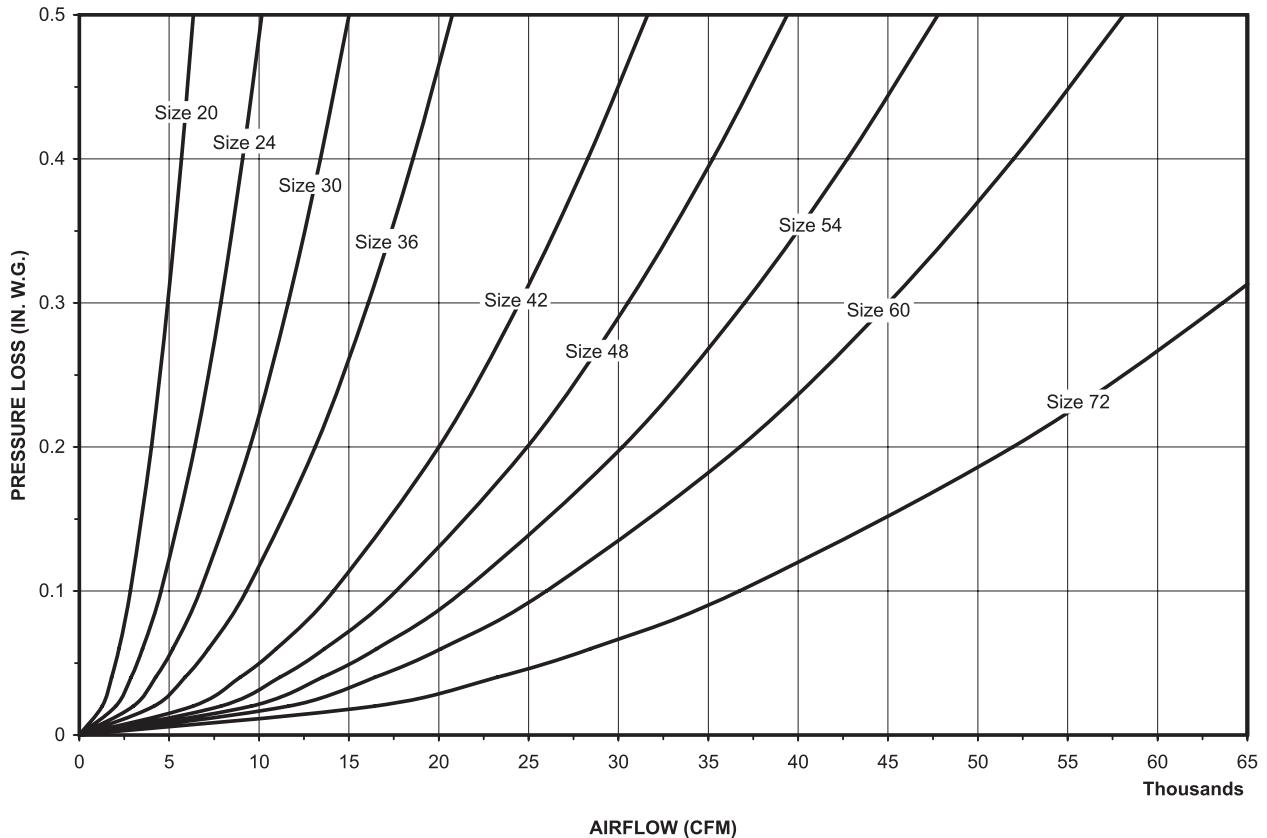
Use the estimated pressure drop graphs to help select the proper exhaust or supply fan package that will deliver the desired airflow. Enter the graph from the bottom at the specified CFM and move vertically upward to the fan curve for the desired fan size, then horizontally to the left and read the estimated static pressure drop resulting from these typical accessory packages. Add the accessory pressure loss to the system (or building) design static pressure loss to obtain the total static pressure loss to be used for the proper fan selection.



Exhaust Airflow
with Wall Housing
Gravity Damper
Rainhood
Motorside Guard



Supply Airflow
with Wall Housing
Gravity Damper
Rainhood
Motorside Guard

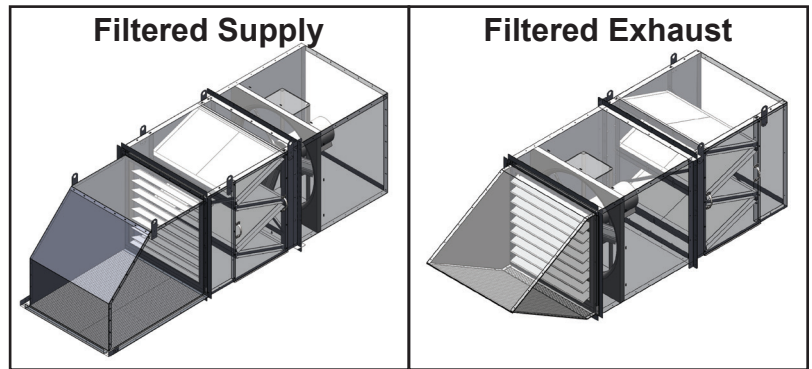




FILTERED WALL HOUSING MOUNTING OPTIONS

Filtered wall housings are available in both supply and exhaust configurations. They are available in eight (8) sizes for fans ranging from size 20 to 60 inches. They are designed with the draw-thru concept to achieve the highest filter and fan efficiencies.

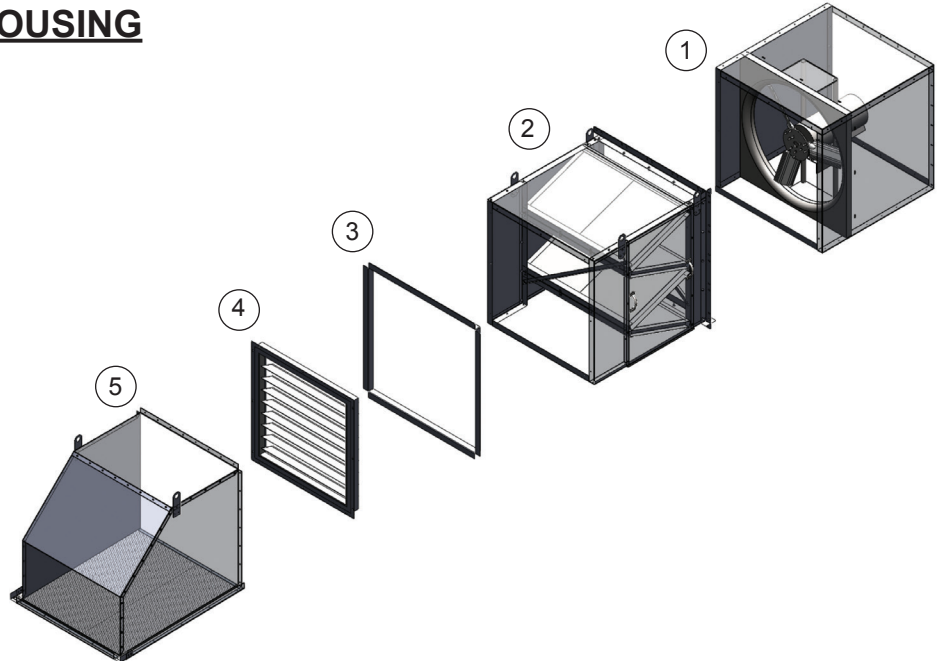
Standard construction is galvanized steel. Mounting flanges are factory installed for either flush exterior or flush interior. Permanent 2-inch (51 mm) washable filters are accessed through a bolted or hinged panel and can be easily removed for cleaning.



FILTERED SUPPLY WALL HOUSING

Standard Features and Options

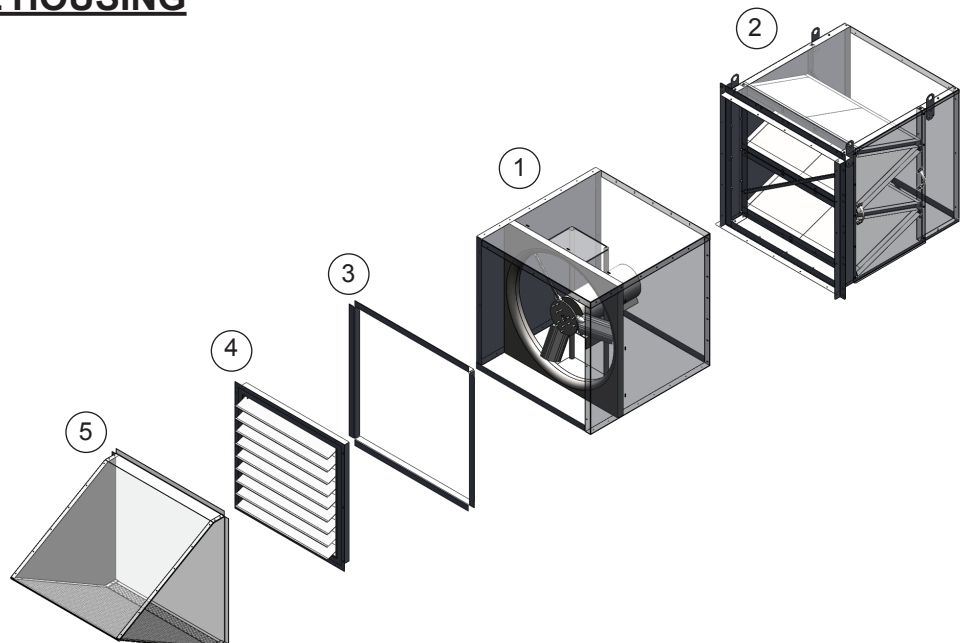
- 1. Wall Housing Box (Standard)**
- 2. Filter Box (Standard)**
 - Bolted or Hinged Door
 - Includes 2 sets of flanges for mounting filter box to wall housing.
- 3. Wall Mount Flanges (Standard)**
 - Set of 4 - shipped loose
- 4. Damper (Optional)**
 - Supply Type
 - Gravity, Motorized, or Center Pivot
- 5. Rain Hood (Optional)**
 - 90 Degree - Supply Type



FILTERED EXHAUST WALL HOUSING

Standard Features and Options

- 1. Wall Housing Box (Standard)**
- 2. Filter Box (Standard)**
 - Bolted or Hinged Door
 - Includes 2 sets of flanges for mounting filter box to wall housing.
- 3. Wall Mount Flanges (Standard)**
 - 1 set of 4 - shipped loose
- 4. Damper (Optional)**
 - Exhaust Type
 - Gravity, Motorized, or Center Pivot
- 5. Rain Hood (Optional)**
 - 45 Degree - Exhaust Type

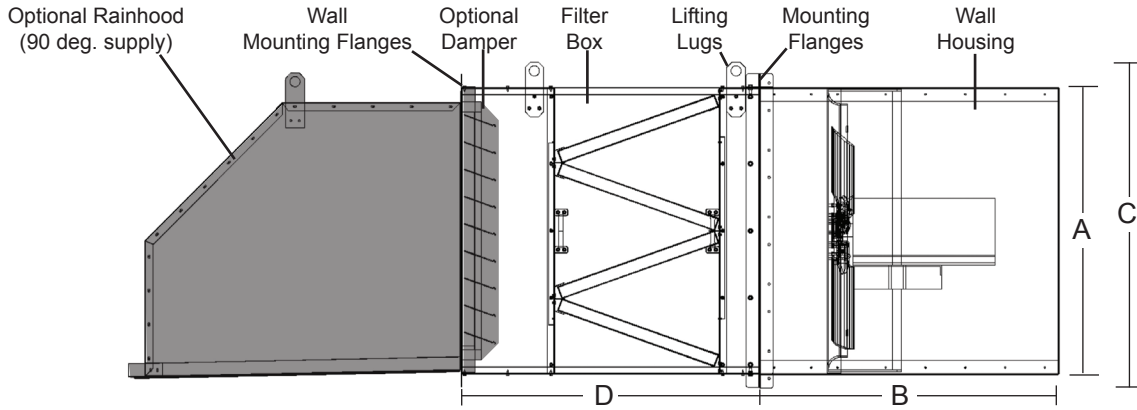




FILTERED WALL HOUSING MOUNTING OPTIONS Cont.

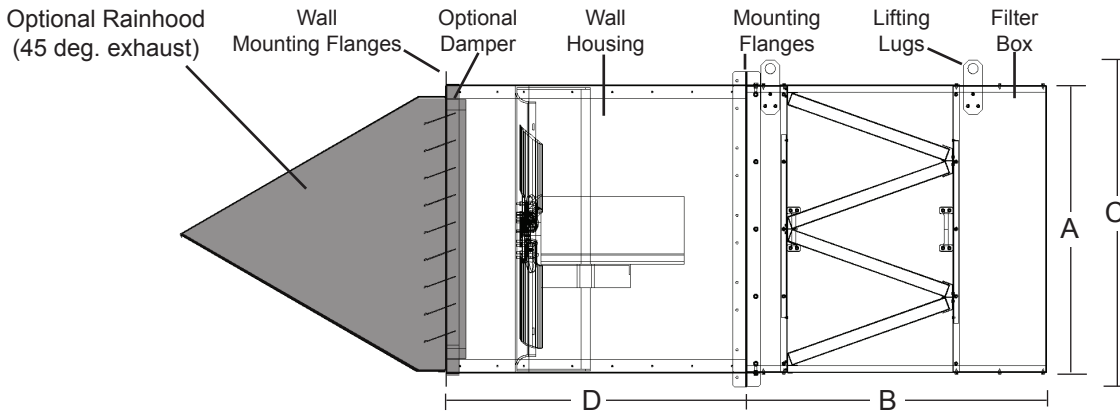
Filtered Wall Housing Dimensions

Filtered Supply



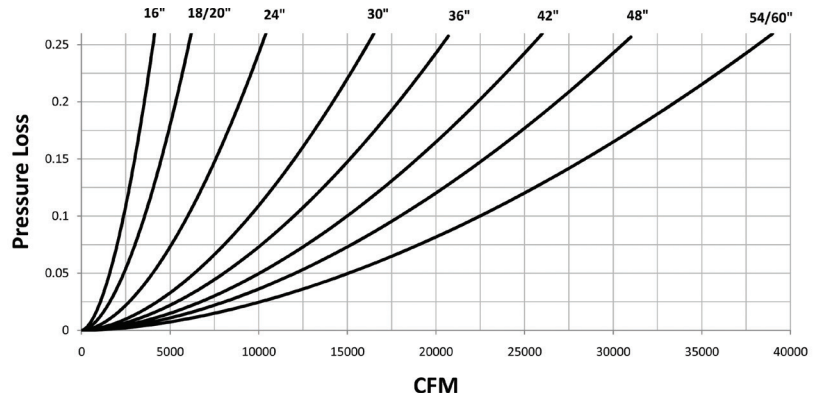
Fan Size	Wall Housing		Minimum Wall Opening Sq	Filter Box			
	A	B Length LC & L2		C	D	# of Filters	Filter Actual Dimensions
20	25	44	25 1/2	25	44 1/8	3	19 5/8 x 24 5/8 x 1 7/8
24	31	44	31 1/2	31	41 1/8	4	19 5/8 x 24 5/8 x 1 7/8
30	37	44	37 1/2	37	44 1/8	8	15 5/8 x 24 5/8 x 1 7/8
36	43	44	43 1/2	43	44 1/8	8	19 5/8 x 24 5/8 x 1 7/8
42	49	44	49 1/2	49	44 1/8	10	19 5/8 x 24 5/8 x 1 7/8
48	55	44	55 1/2	55	40 1/2	12	19 5/8 x 24 5/8 x 1 7/8
54	61	44	61 1/2	61	44 1/8	15	19 5/8 x 24 5/8 x 1 7/8
60	67	44	67 1/2	67	44 1/8	15	19 5/8 x 24 5/8 x 1 7/8

Filtered Exhaust



PRESSURE LOSS GUIDE FOR FILTER BOX

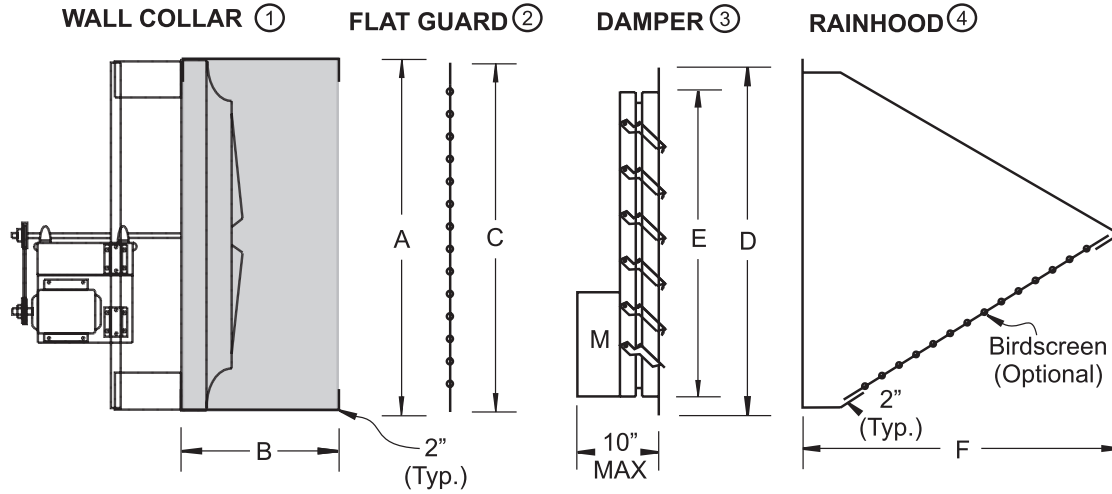
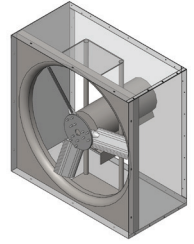
Use the estimated pressure drop graphs to help select the proper exhaust or supply fan that will deliver the desired airflow. Enter the graph from the bottom at the specified CFM and move vertically upward to the fan curve for the desired size, then horizontally to the left and read the estimated static pressure drop resulting from these typical accessory packages. Add the accessory pressure loss to the system (or building) design static pressure loss to obtain the total static pressure loss to be used for the proper fan selection.





WALL COLLAR MOUNTING OPTION

The heavy-gauge, all G-90 galvanized mounting collar provides a simple solution to installing a fan in a rough wall opening when a rear safety guard is **NOT** required. A front wire guard, shutter, and/or rainhood can be attached to the front prepunched flanges. The wall collar can be used in exhaust or supply applications for all fan sizes. The wall collar is mounted with the fan on the interior side of the building. All collars ship fully assembled with the fan to lessen jobsite installation costs. We strongly recommend rainhoods and motorized shutter for all supply applications as well as for exhaust applications where additional weather protection is desired.



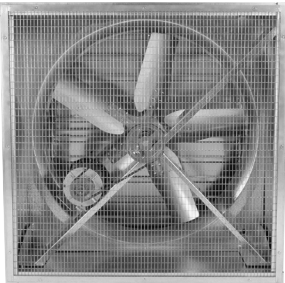


Dimensions

Fan Size	Wall Collar ①		Minimum Wall Opening	Flat Guard ②	Damper ③		Rainhood ④
	A	B	Sq	C	D (O.D)	E	F
20	24 1/4	21	25 1/2	24	22 1/2	20	24 1/4
24	30 1/4	21	31 1/2	30	28 1/2	26	28 1/2
30	36 1/4	21	37 1/2	36	34 1/2	32	34 1/2
36	42 1/4	21	43 1/2	42	40 1/2	38	40 1/2
42	48 1/8	21	49 1/2	48	46 1/2	44	44 1/2
48	54 1/8	21	55 1/2	54	52 1/2	50	49 1/2
54	60 1/8	21	61 1/2	60	58 1/2	56	55
60	66 1/8	21	67 1/2	66	64 1/2	62	69
72	80 1/8	26	81 1/2	80	78 1/2	76	75 1/2

(a) Level 3 Construction requires a deeper motorside guard as shown. Unless shown otherwise supply and exhaust dimensions are similar.



ACCESSORIES & OPTIONS FOR MOUNTING ARRANGEMENTS

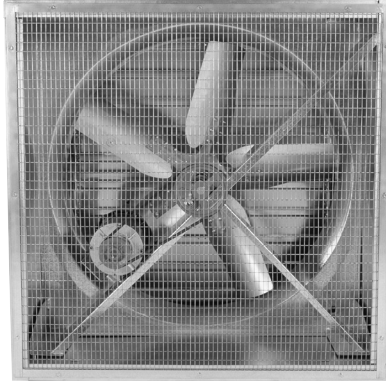
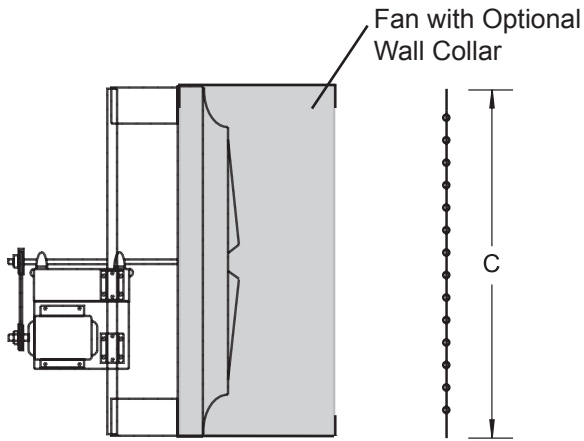
Accessory or Option	
	<p>Safety Guards Safety Guards (Standard or Heavy-Duty Flat Guards) are strongly recommended to protect personnel from accidental injury and to prevent debris from entering the fan. OSHA approved guards are required in many installations including when the fans are within 7 feet of the floor or work/access area.</p>
	<p>Rainhoods or Weatherhoods Designed to provide additional weather protection by partially shielding the wall opening and should be used for all supply applications and whenever additional weather resistance is desired. The galvanized (aluminum optional) hood attaches to the wall housing or wall collar flanges. Field flashing and caulking will reduce moisture penetration. Shown with optional birdscreen.</p>
	<p>Dampers Used alone or in conjunction with the wall housing or wall collar, a complete line of dampers are available for exhaust or supply configurations.</p>



ACCESSORIES & OPTIONS FOR MOUNTING ARRANGEMENTS Cont.

Safety Guards

Safety guards are strongly recommended to protect personnel from accidental injury and to prevent debris from entering the fan. OSHA approved guards are required in many installations including when the fans are within 7 feet of the floor or work/access area.

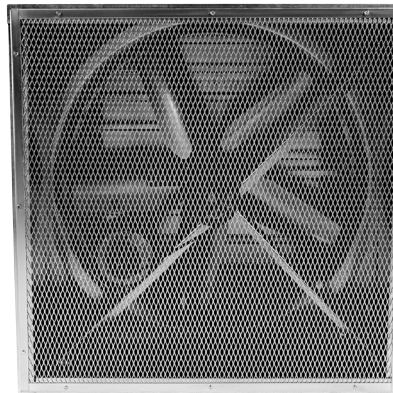


Standard Duty Flat Wire Guard

The removable safety guard satisfies OSHA requirements when used with the optional wall housing as a motor-side (rear) guard. The 16 ga. 1/2" X 1" welded wire mesh is mounted in a galvanized frame and attaches to the inward flanges of the wall housing.

Dimensions

Fan Size	C
20	24
24	30
30	36
36	42
42	48
48	54
54	60
60	66
72	80



Heavy-Duty Flat Wire Guard

The removable safety guard satisfies OSHA requirements when used with the optional wall housing as a motor-side (rear) guard. The H.D. expanded aluminum mesh is mounted in a galvanized frame and attaches to the inward flanges of the wall housing.

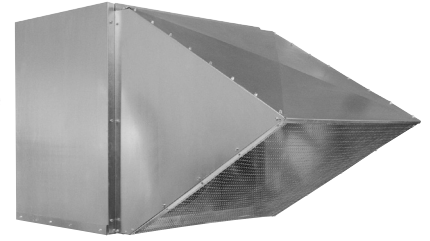


ACCESSORIES & OPTIONS

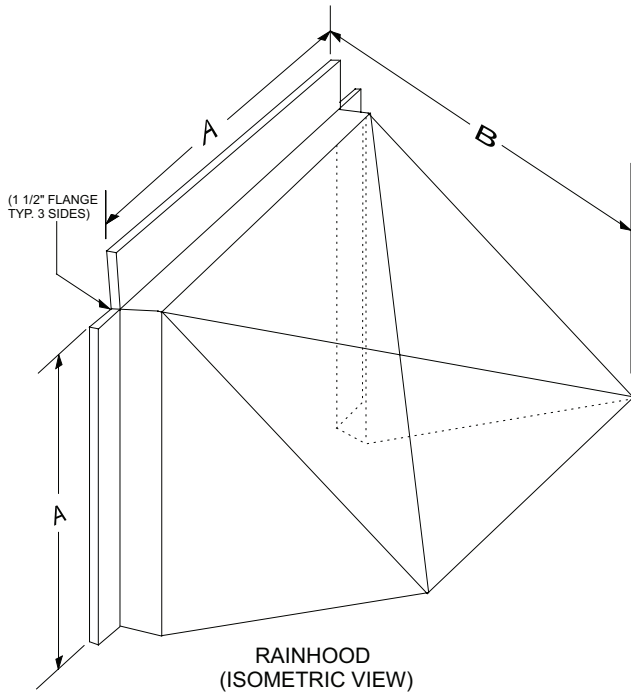
FOR MOUNTING ARRANGEMENTS Cont.

Rainhoods or Weatherhoods

Designed to provide additional weather protection by partially shielding the wall opening and should be used for all supply applications and whenever additional weather resistance is desired. The galvanized (aluminum optional) hood attaches to the wall housing or wall collar flanges. Field flashing and caulking will reduce moisture penetration. Shown with optional birdscreen.



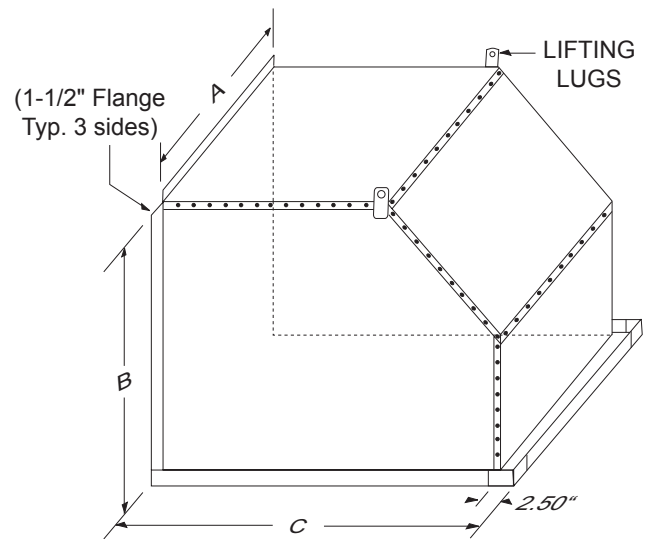
45 Degree Exhaust



RAINHOOD
(ISOMETRIC VIEW)

Fan Size	A	B	GAUGE (2)	AVG. WT.
20	22	24-1/4	18	25
24	28	28-1/2	18	30
30	34	34-1/2	18	40
36	40	40-1/2	18	50
42	46	46-1/2	18	60
48	52	49-1/2	16	70
54	58	58-1/2	16	120
60	64	64-1/2	16	175
72	78	64-1/2	16	200

90 Degree Supply



Fan Size	A	B	C	GAUGE (2)	AVG. WT.
20	22	22	27-3/4	18	25
24	27-1/4	26-1/2	38-1/2	18	30
30	32-1/2	33-1/2	44-1/2	18	40
36	38-1/2	39-1/4	49	18	50
42	44-1/2	45-1/4	56-1/2	18	60
48	50-1/2	51-1/2	62-1/2	18	70
54	56-3/4	57	73	18	120
60	62-3/4	63	73	18	175
72	76-3/4	76-3/4	73	18	200



ACCESSORIES & OPTIONS **FOR MOUNTING ARRANGEMENTS Cont.**

Damper Types (Shutters)

Heavy-Duty Galvanized Exhaust Motorized Shutter



This damper has a flanged frame and is designed to fit the inside flanges of the optional wall housing or wall mounting collar. The frame and blades are constructed of galvanized steel and are rated to 3000 FPM with proper clearance as provided by all factory accessories. The damper body recesses into the opening for a flush appearance.

Standard Duty Aluminum Exhaust Gravity Shutter



This damper can greatly reduce the infiltration of outside air and although not completely watertight, will provide weather protection in an economical fashion. Constructed with a galvanized frame and aluminum blades this damper is rated to 2000 FPM with the proper clearance as provided by all factory accessories. The damper body is recessed into the opening for a flush appearance.

Heavy-Duty Galvanized Supply Motorized Shutter



The motorized option improves weather protection by providing a tighter closure seal and is recommended for all supply applications. Heavy-duty dampers are constructed with galvanized frames and blades and are rated to 3000 FPM. The damper body is not recessed providing extra clearance between the fan and damper blades.

Standard Duty Aluminum Supply Motorized Shutter



The motorized option improves weather protection by providing a tighter closure seal and is recommended for all supply applications. Standard duty dampers are constructed with galvanized frames and aluminum blades and are rated to 2000 FPM. The damper body is not recessed providing extra clearance between the fan and damper blades.

Center Pivot Motorized Damper - Supply or Exhaust



The flanged frame damper is designed to recess inside the flanges of the optional wall housing or wall mounting collar. The center pivot style damper provides superior weather resistance. Galvanized (optional aluminum) construction is rated to 3500 FPM with proper clearance as provided by all factory accessories.

Electric Damper Operators

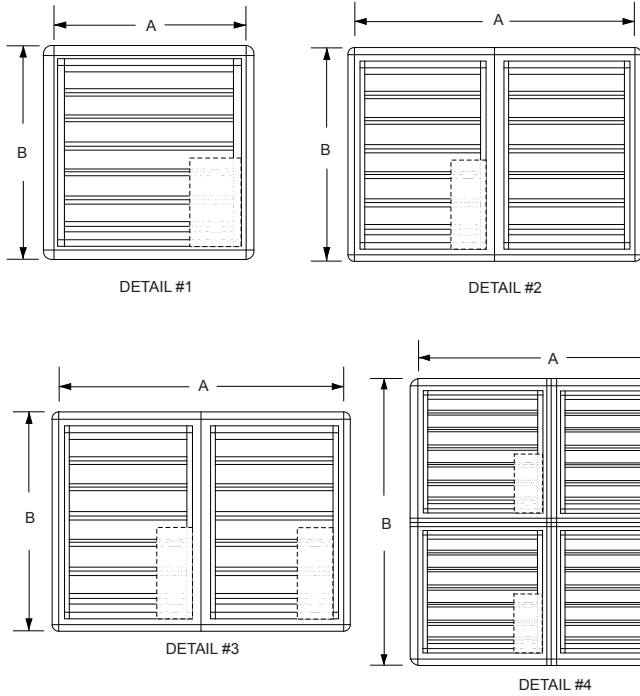
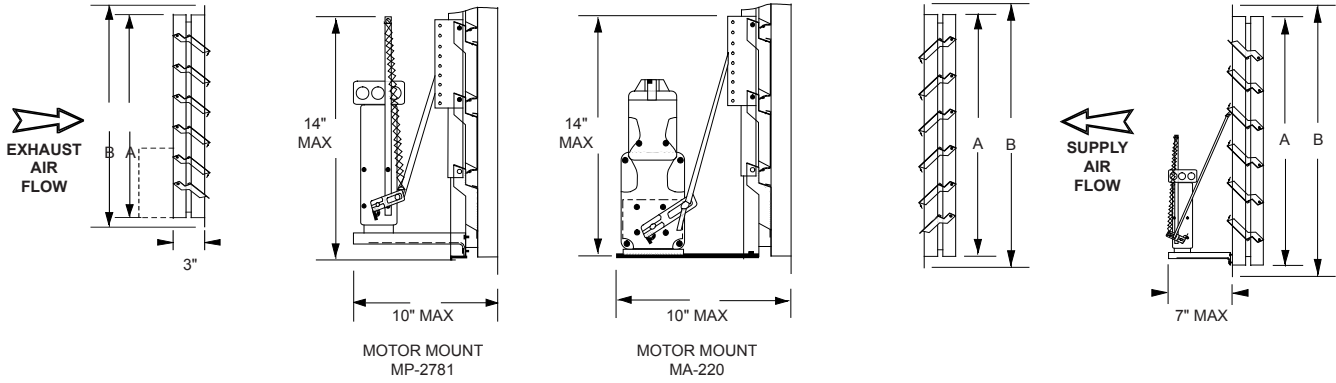
Electric damper operators provide more positive open and closed damper positions which helps increase weather resistance. Power open - spring close (POSC) motor and linkage kits are field installed (except for center pivot style) and are available in 24, 120/240, or 460 volts (single phase) and require approximately 0.5 amps at 120/1/60 power supply. Transformers are available for voltage reduction. For fan motors 5HP and larger, we recommend a factory tilt switch or "delay-on" timer in the control circuit (by others) to allow the damper to open prior to allowing fan operation, which will protect the damper blades and fan from damage when the fan is first energized.



ACCESSORIES & OPTIONS

FOR MOUNTING ARRANGEMENTS Cont.

Dimensions (Standard and Heavy-Duty Dampers)



Fan Size	A Sq. Size	B Sq. OD Flange	Panels (Detail)	Motor Type			
				Exhaust		Supply	
				Type	Qty	Type	Qty
20	20	22 1/2	1	MP-2781	1	MP-2781-S	1
24	26	28 1/2	1	MP-2781	1	MP-2781-S	1
30	32	34 1/2	1	MP-2781	1	MA-220-S	1
36	38	40 1/2	1	MA-220	1	MA-220-S	1
42	44	46 1/2	2	MA-220	1	MA-220-S	2
48	50	52 1/2	2	MA-220	1	MA-220-S	2
54	56	58 1/2	3	MA-220	2	MA-220-S	2
60	62	64 1/2	3	MA-220	2	MA-220-S	2
72	77	79 1/2	4	MA-220	4	MA-220-S	4

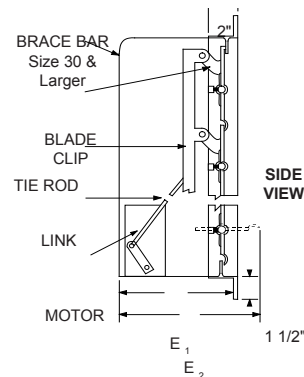
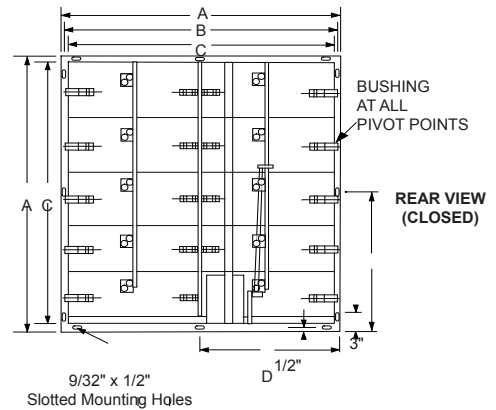
Heavy Duty Dampers required on all units with 7 1/2HP motors and above.

Dimensions (Center Pivot Motorized Damper)

Fan Size	Opening Required	A O.D.	B (1)	C "Size"	D (Center of Holes)	# of Panels	G	
							Closed (E-1)	Open (E-2)
24	27	29	24-1/2	26	-	1 x 1	7-1/4	8-1/2
30	33	35	30-1/2	32	-	1 x 1	10-1/4	13-3/4
36	39	41	36-1/2	38	19-1/2	1 x 1	10-1/4	13-3/4
42	45	47	42-1/2	44	22-1/2	1 x 1	10-1/4	13-3/4
48	51	53	48-1/2	50	25-1/2	2 x 1	10-1/4	13-3/4
54	57	59	54-1/2	56	28-1/2	2 x 1	10-1/4	12-3/4
60	63	65	60-1/2	62	31-1/2	2 x 1	10-1/4	12-3/4
72	77	79	76-1/2	76	39-1/2	2 x 1	10-1/4	12-3/4

Fan Size	Motor (2)		
	Power Supply	Max Amps	Stall Torque (in. lbs)
24-48	120-240V 60Hz	0.3/0.6	25
54-60	240V 60Hz	0.5	60

(1) Minimum opening to clear pins.
(2) Motor is 60 Hz, single phase continuous duty with 104°F (40°C), maximum ambient temperature





ACCESSORIES & OPTIONS

Electrical Accessories are available to simplify the installation and reduce the total project cost.

Disconnect Switches can be shipped loose or factory mounted and wired (except explosion proof and two speed) in NEMA 1, 3R, 4X, or other enclosures. Two-speed and explosion proof disconnects are available but may be subject to more stringent code requirements. It is the responsibility of the buyer and the installer to comply with all local and national codes.

Aluminum Construction is available for most models and typically includes propeller blades, fan panel, motor and drive support (large frame motors may have steel reinforcement) and accessories. When an explosion proof motor is specified, aluminum fan construction must be used for additional spark resistance.

cULus705 or UL705 Listing is available for sidewall propeller fans with most motors and should be specified for electrical safety and reliability.

Extended Lube Lines provide convenient access for routine bearing lubrication. Lubrication lines are installed from the fan shaft bearings to the exterior of the wall housing or sheet metal motorside guard and are provided with zerk fittings.

Paints and Coatings for protective and decorative purposes. Available coatings include: Epoxy, Synthetic Resin, and Heresite (air-dried phenolic). Contact your Soler & Palau representative or the factory for more information on available coatings and colors.

Mounting Angles facilitate the installation and a secure attachment of the wall housing or wall collar into the framed wall opening. Galvanized or aluminum angles are available and are pre-cut to the proper length. Additional bracing, mounting hardware, flashing and caulking are typically provided by the installer.

Factory Wiring can simplify jobsite installation and reduce the overall project cost. Optional services include wiring of motor, disconnect switch, damper actuator, and other custom controls. Please note that some wiring options may not be available in conjunction with the cULus705 and UL705 listing option (for example explosion proof, two speed and special motors).



MODEL LC - CONSTRUCTION LEVEL 1

Application

Model LCE (exhaust) and LCS (supply) are high capacity belt driven propeller fans rated from 3,000 to 40,000 cfm to .625" w.g. static pressure. Their primary application is the exhaust or supply of large volumes of air at relatively low static pressures from commercial, light industrial and agricultural buildings such as manufacturing and assembly plants, warehouses, parking garages, gymnasiums, equipment rooms, distribution centers, poultry and greenhouses.

Wall mounting provides an easy, economical installation. Belt driven fans provide large volumes of air at low fan speeds and low noise levels and afford quick, easy performance adjustments. All necessary accessories are available to meet any need or specification.

When suspended from the ceiling, thus keeping floor spaces open, model LC can be installed to direct large volumes of air downward toward work centers improving employee comfort and productivity.

When mounted in portable housings with OSHA guards, Model LC-P can be used as a mancooler and rolled to hot spots to provide needed employee relief from heat or fumes and help increase productivity.

Construction/Specification Checklist

Belt Drive, Wall Exhaust (or Supply) Propeller Fan shall be provided as follows:

CERTIFICATIONS: Fans shall be AMCA Licensed for air and sound performance. Fans shall be UL and CUL 705 listed for electrical safety and reliability (Optional).

PANEL ASSEMBLY: Panels shall be heavy-gauge G90 galvanized (optional aluminum) with spun one piece venturi. Motor and bearing plate shall be a minimum of 12 gauge galvanized steel except size 20. Panel end support frame assembly shall be of welded, not bolted, construction with prepunched mounting holes for easy installation.

PROPELLER: Blades shall be die formed galvanized G90 steel of minimum 16 gauge. Blades shall be bolted to an epoxy coated hub which is keyed to the fan shaft. Propeller assembly shall be statically balanced.

DRIVES: All sheaves shall be sized to a minimum 150% of driven horsepower, machined cast iron adjustable pitch through 3 horsepower, keyed to both the motor and fan shaft. Fan shaft shall be precision turned, ground and polished steel. Belts shall be nonstatic oil and heat resistant V-belts.

BEARINGS: All bearings shall be self-aligning cast iron pillow block type with relube fitting and of the air handling design. Bearing design shall be for a minimum of L-50 200,000 hour average life.

MOTORS: Permanently sealed ball bearing type furnished to the specified voltage, phase and enclosure. All motors shall be mounted and factory run tested.



Standard 705
(Optional)

Fan Size	Material (Ga. or inches)					Shaft Diameter (in.)	Max Motor Frame Size	Avg. Weight (lbs.)
	Fan Panel	Drive Frame	Motor & Bearing Supports	Propeller				
				Spider Steel	Blade Steel			
20	18	16	16	14	18	3/4	56H	85
24	16	12	12	10	16	1	145T	90
30	16	12	12	10	16	1	145T	100
36	16	12	12	7	16	1	145T	105
42	16	12	12	7	14	1	145T	110
48	16	12	12	7	14	1	145T	125
54	14	12	12	1/4	12	1 3/16	182T	240
60	14	12	12	1/4	12	1 3/16	182T	285

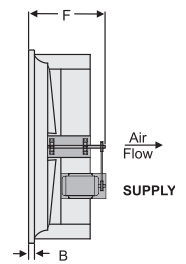
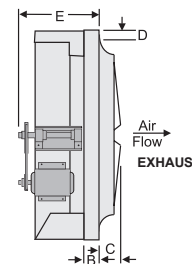
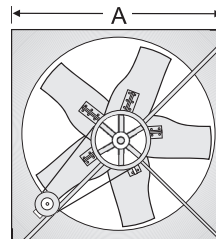
Motor Service Factor

Motor service factors are utilized in some performance selections shown. This is a safe and common industry practice that provides more performance for the investment. BHP is shown at the maximum catalog performance point. BHP at all other static pressures listed is less than that shown, in most cases substantially less. Because the motors are in the air stream there are no negative effects on motor life. 2 speed motor applications are recommended at or below their nominal BHP levels. If desired, pick the next higher horsepower to eliminate this service factor usage. Refer to the Optisizer Fan Selection Program for actual BHP at any performance point.

DIMENSIONS

Fan Size	A Sq	B	C	D	E	F	Damper O.D. Sq Flange
20	24	2	5	1 1/4	15	23	22 1/2
24	30	2	7 1/2	1 1/4	15	23	28 1/2
30	36	2	7 1/2	1 1/4	15	24	34 1/2
36	42	2	7 1/2	1 1/4	15	24	40 1/2
42	48	2	7 1/2	1 1/4	16	24	46 1/2
48	54	2	7 1/2	1 1/4	16	24	52 1/2
54	60	2	7 1/2	1 1/4	20	26	58 1/2
60	66	2	7 1/2	1 1/4	20	26	64 1/2

Dimensions shown in inches.



2 year fan housing warranty, 1 year motor warranty



MODEL L2 - CONSTRUCTION LEVEL 2

Application

Models L2E (exhaust) and L2S (supply) are high capacity wall mounted belt driven propeller fans rated from 5000 to 47,000 CFM and to .75" w.g. static pressure. Their primary application is the exhaust of large volumes of ventilation air from commercial and light industrial buildings such as manufacturing and assembly plants, warehouses, parking garages, gymnasiums, equipment rooms, distribution centers and OEM applications.

Wall mounting provides an easy and economical installation. All necessary accessories are available. Belt driven fans provide large volumes of air at low fan speed and low noise levels and afford quick, easy performance adjustments.

See Model L - Construction level 3 for higher static pressures and heavier construction designs or models LC for your lighter duty ventilation requirements.

Construction/Specification Checklist

Belt Drive, Wall Exhaust (or Supply) Propeller Fan shall be provided as follows:

CERTIFICATIONS: Fans shall be AMCA Licensed for air and sound performance. Fans shall be UL and cUL 705 listed for electrical safety and reliability (Optional).

PANEL ASSEMBLY: Panels shall be heavy-gauge G90 galvanized

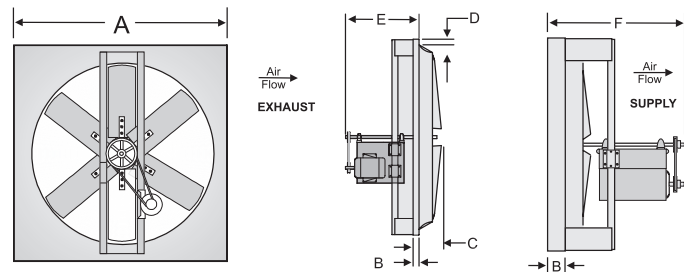
Fan Size	Material (Ga. or inches th.)								Max Shaft Diameter (in.)	Max Motor Frame Size	Avg. Weight (lbs.)
	Fan Panel	Drive Frame	Motor & Bearing Supports		Propeller						
			Galv	Alum	Spider	Blade					
						Steel	Steel	Alum			
24	18	10	10	1/4	1/4	16	.080	1	182T	180	
30	16	10	10	1/4	1/4	16	.080	1	182T	180	
36	16	10	10	1/4	1/4	16	.080	1 3/16	184T	215	
42	16	10	10	1/4	3/8	16	.080	1 3/16	184T	235	
48	16	10	10	1/4	3/8	16	.080	1 3/16	184T	300	
54	14	10	10	1/4	3/8	16	.080	1 3/16	184T	400	
60	14	10	10	1/4	3/8	16	.080	1 3/16	184T	490	



DIMENSIONS

Fan Size	A Sq	B	C	D	E	F	Damper O.D. Sq Flange
24	30	2	7 1/2	1 1/4	22	26	28 1/2
30	36	2	7 1/2	1 1/4	22	26	34 1/2
36	42	2	7 1/2	1 1/4	22	26	40 1/2
42	48	2	7 1/2	1 1/4	22	26	46 1/2
48	54	2	7 1/2	1 1/4	22	26	52 1/2
54	60	2	7 1/2	1 1/4	22	26	58 1/2
60	66	2	7 1/2	1 1/4	24	28	64 1/2

Dimensions shown in inches.



(optional aluminum) with spun one piece venturi. Motor and bearing plate shall be a minimum of 10 gauge G90 galvanized steel. Panel end support frame assembly shall be of welded, not bolted, construction with pre-punched mounting holes for easy installation.

PROPELLER: Propellers shall be six-bladed, die-formed, minimum 16 gauge, G90 galvanized steel bolted to a welded, structural steel hub plate and keyed to the fan shaft. Blades shall incorporate multiple laminations for 3 horsepower motors and larger. Propeller assembly shall be statically balanced.

DRIVES: All sheaves shall be sized to a minimum 150% of driven horsepower, machined cast iron adjustable pitch (through 3HP), keyed to both the motor and fan shaft. Fan shaft shall be precision turned, ground and polished steel. Belts shall be nonstatic oil and heat resistant V-belts.

BEARINGS: All bearings shall be self-aligning cast iron pillow block type with relube fitting and of the air handling design. Bearing design shall be for a minimum of L-50 200,000 hour average life.

MOTORS: Permanently sealed ball bearing type furnished to the specified voltage, phase and enclosure. All motors shall be mounted and factory run tested.

Motor Service Factor

Motor service factors are utilized in some performance selections shown. This is a safe and common industry practice that provides more performance for the investment. BHP is shown at the maximum catalog performance point. BHP at all other static pressures listed is less than that shown, in most cases substantially less. Because the motors are in the air stream there are no negative effects on motor life. Explosion proof and 2 speed motor applications are recommended at or below their nominal BHP levels. If desired, pick the next higher horsepower to eliminate this service factor usage. Refer to the Optimizer Fan Selection Program for actual BHP at any performance point.

2 year fan housing warranty, 1 year motor warranty



MODEL L3 - CONSTRUCTION LEVEL 3

Application

Models L3E (exhaust) and L3S (supply) are high capacity wall mounted belt driven propeller fans rated from 35,000 to 85,000 and to 1.0" w.g. static pressure. Their primary application is the exhaust of large volumes of air at relatively moderate static pressure from commercial, industrial and agricultural buildings such as manufacturing and assembly plants, warehouses, foundries, mills, boiler rooms and equipment rooms.

Wall mounting provides an easy and economical installation. Belt driven fans provide large volumes of air at low fan speed and low noise levels and afford quick, easy performance adjustments. All required accessories are available with Model L.

See Models LC and L - level 2 construction, for lower static pressures and lighter duty requirements which are generally more economical.

Construction/Specification Checklist

Belt Drive, Wall Exhaust (or Supply) Propeller Fan shall be provided as follows:

CERTIFICATIONS: Fans shall be AMCA Licensed for air and sound performance. Fans shall be UL and CUL 705 listed for electrical safety and reliability (optional).

PANEL ASSEMBLY: Panels shall be heavy-gauge G-90 galvanized (optional aluminum) with spun one piece venturi. Motor and bearing plate shall be a minimum of 10 gauge G90 galvanized steel structurally secured to minimum 1.25 inch schedule 40 galvanized steel pipe by means of 12 gauge galvanized steel pipe brackets. Panel end support frame assembly shall be of welded, not bolted, construction with pre-punched mounting holes for easy installation.

PROPELLER: Propellers shall be six-bladed, die-formed, minimum 16 gauge, G90 galvanized steel with double 16 gauge laminations bolted to a welded, structural steel hub plate and keyed to the fan shaft. Fan shaft shall be precision turned, ground and polished steel. Props shall be statically balanced.

DRIVES: All sheaves shall be sized to a minimum 150% of drive horsepower, machined cast iron adjustable pitch through 3 horsepower, keyed to both the motor and fan shaft. Fan shaft shall be precision turned, ground and polished steel. Belts shall be non-static oil and heat resistant V-belts.

BEARINGS: All bearing shall be self-aligning cast iron pillow block type with relube fitting and of the air handling style. Bearing design shall be for a minimum of L-50 200,000 hour average life.

MOTORS: Permanently sealed ball bearing type furnished to the specified voltage, phase and enclosure. All motors shall be mounted and factory run tested.

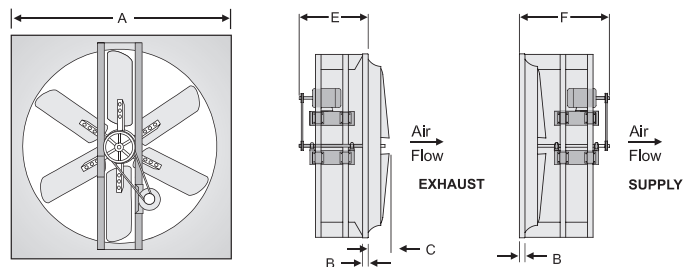
Fan Size	Material (Ga. or inches th.)						Max Shaft Diameter (in.)	Max Motor Frame Size	Avg. Weight (lbs.)
	Fan Panel	Drive Frame	Motor & Bearing Supports	Propeller					
				Spider	Blade				
				Steel	Alum				
42	16	10	10	3/8	16	0.080	1 7/16	213T	260
48	16	10	10	3/8	16	0.080	1 7/16	215T	330
54	14	10	10	3/8	16	0.080	2 3/16	256T	500
60	14	10	10	3/8	16	0.080	2 3/16	256T	530
72	12	10	10	3/8	16	0.080	2 3/16	256T	600



DIMENSIONS

Fan Size	A Sq	B	C	D	E	F	Damper O.D. Sq Flange
42	48	2	7 1/2	1 1/4	24	28	46 1/2
48	54	2	7 1/2	1 1/4	24	28	52 1/2
54	60	2	7 1/2	1 1/4	24	28	58 1/2
60	66	2	7 1/2	1 1/4	24	28	64 1/2
72	80	2	8	1 1/4	24	28	78 1/2

Dimensions shown in inches.



Motor Service Factor

Motor service factors are utilized in some performance selections shown. This is a safe and common industry practice that provides more performance for the investment. BHP is shown at the maximum catalog performance point. BHP at all other static pressures listed is less than that shown, in most cases substantially less. Because the motors are in the air stream there are no negative effects on motor life. Explosion proof and 2 speed motor applications are recommended at or below their nominal BHP levels. If desired, pick the next higher horsepower to eliminate this service factor usage. Refer to the Optimizer Fan Selection Program for actual BHP at any performance point.

2 year fan housing warranty, 1 year motor warranty



PERFORMANCE

Model LC Size 20

Limits			Panel OD Square	Min. Wall Opening	Damper OD	Approx. Wt
Model	RPM	Motor Frame				
LC	1350	56H	24	25 1/2	22 1/2	85

	Size	Motor HP	Max BHP	Fan RPM	Sones (0.00" SP)	Static Pressure (Inches W.G)								
						.000	.100	.125	.150	.200	.250	.300	.375	.500
Level 1 Construction	Model LC 20	1/4	0.25	905	10.5	3774	3364	3247	3113	-	-	-	-	-
			0.27	920	10.8	3837	3435	3321	3193	2829	-	-	-	-
			0.28	930	11.0	3879	3482	3370	3246	2900	-	-	-	-
			0.29	945	11.3	3941	3553	3442	3324	3002	-	-	-	-
			0.30	955	11.5	3983	3600	3491	3375	3067	-	-	-	-
		1/3	0.33	990	12.2	4129	3762	3658	3550	3283	-	-	-	-
			0.34	1000	12.5	4171	3809	3706	3599	3341	-	-	-	-
			0.36	1015	12.8	4233	3878	3776	3673	3428	-	-	-	-
			0.38	1030	13.1	4296	3947	3847	3746	3512	3173	-	-	-
			0.40	1050	13.5	4379	4038	3941	3842	3621	3312	-	-	-
	1/2	0.47	1110	14.8	4629	4311	4221	4128	3933	3689	-	-	-	
		0.50	1125	15.1	4692	4378	4291	4199	4009	3776	3452	-	-	
		0.55	1145	15.5	4775	4468	4383	4293	4108	3890	3593	2783	-	
		0.57	1160	15.9	4838	4536	4451	4364	4182	3973	3694	2959	-	
		0.60	1180	16.4	4921	4625	4543	4457	4280	4081	3822	3182	-	
	3/4	0.70	1260	18.3	5255	4981	4905	4827	4664	4493	4293	3875	-	
		0.75	1295	19.1	5401	5135	5062	4987	4829	4666	4484	4117	-	
		0.79	1320	19.7	5505	5245	5174	5101	4947	4788	4616	4278	-	
		0.82	1335	20	5568	5311	5241	5169	5018	4861	4693	4371	-	
		0.90	1350	20	5630	5377	5308	5237	5088	4934	4770	4462	3538	

Performance ratings do not include the effects of appurtenances (accessories).

Power ratings (BHP) do not include transmission losses.

Performance certified is for installation type A-free inlet, free outlet.

The sound ratings shown are loudness values in fan sones @ 5' (1.5m) in a hemispherical free field calculated per AMCA Standard 301. Values shown are for installation Type A-Free inlet fan sone levels.

Due to air stream cooling, the motor loading into the service factor shown does not overheat the motor and is within NEMA recommended limits. BHP at most static pressure points is less than the maximum power shown - in many cases substantially less. Use Optimizer to see the exact BHP for your selection.



JencoFan, Div. of Soler & Palau Ventilation Group, certifies that the models shown herein are licensed to bear the AMCA Seal. The ratings shown are based on test and procedures performed in accordance with AMCA Publication 211 and AMCA Publication 311 and comply with the requirement of the AMCA Certified Ratings Program.



Standard 705
(Optional)



Model LC and Model L2

Size 24



JencoFan, Div. of Soler & Palau Ventilation Group, certifies that the models shown herein are licensed to bear the AMCA Seal. The ratings shown are based on test and procedures performed in accordance with AMCA Publication 211 and AMCA Publication 311 and comply with the requirement of the AMCA Certified Ratings Program.



Limits			Panel OD Square	Min. Wall Opening	Damper OD	Approx. Wt.
Model	RPM	Motor Frame				
LC	1100	145T	30	31 1/2	28 1/2	90
L2	1145	145T	30	31 1/2	28 1/2	120

Size	Motor HP	Max BHP	Fan RPM	Sones (0.00" SP)	Static Pressure (Inches W.G)									
					.000	.100	.125	.150	.200	.250	.300	.375	.500	.625
Level 1 Construction Model LC 24	1/4	0.25	555	9.0	4931	4168	3905	3574	2256	-	-	-	-	-
		0.27	570	9.4	5065	4332	4085	3787	2460	-	-	-	-	-
		0.30	600	10.2	5331	4652	4431	4180	3501	2269	-	-	-	-
	1/3	0.33	625	10.9	5553	4912	4709	4482	3891	-	-	-	-	-
		0.36	645	11.6	5731	5117	4926	4715	4187	-	-	-	-	-
		0.41	660	12.1	5864	5268	5086	4885	4398	3702	-	-	-	-
	1/2	0.50	715	14.0	6353	5815	5658	5487	5097	4592	-	-	-	-
		0.54	735	14.7	6531	6011	5861	5699	5332	4877	-	-	-	-
		0.58	750	15.3	6664	6157	6012	5856	5504	5081	4535	-	-	-
	3/4	0.60	760	15.7	6753	6254	6112	5959	5617	5212	4686	-	-	-
		0.75	820	17.9	7286	6831	6704	6570	6276	5941	5577	-	-	-
		0.80	840	18.6	7464	7021	6898	6770	6489	6170	5804	-	-	-
	1	0.85	855	19.1	7597	7163	7044	6918	6646	6340	5991	5316	-	-
		0.90	875	19.8	7775	7352	7237	7116	6855	6562	6234	5600	-	-
		1.00	905	21	8041	7635	7524	7409	7163	6890	6586	6040	-	-
	1 1/2	1.10	935	22	8308	7916	7810	7700	7467	7211	6927	6437	-	-
		1.20	950	22	8441	8057	7953	7845	7618	7369	7094	6625	5559	-
		1.50	1035	25	9196	8847	8754	8658	8458	8244	8013	7628	6836	-
2	1.65	1070	27	9507	9170	9081	8989	8798	8595	8378	8019	7308	-	
	1.82	1100	28	9774	9447	9361	9272	9088	8894	8687	8347	7688	6808	
Level 2 Construction Model L2 24	1/4	0.25	540	9.9	5317	4075	3362	2733	-	-	-	-	-	
		0.27	555	10.9	5464	4290	3707	2948	-	-	-	-	-	
		0.30	575	12.2	5661	4559	4098	3307	-	-	-	-	-	
	1/3	0.33	590	13.2	5809	4753	4346	3647	-	-	-	-	-	
		0.36	605	14.3	5957	4943	4574	3995	2908	-	-	-	-	
		0.40	630	16.3	6203	5255	4926	4491	3247	-	-	-	-	
	1/2	0.50	670	17.9	6597	5740	5446	5116	3951	3168	-	-	-	
		0.57	685	18.5	6744	5917	5634	5326	4299	3364	2859	-	-	
		0.60	700	19.0	6892	6090	5822	5528	4645	3568	3043	-	-	
	3/4	0.75	740	21	7286	6543	6310	6042	5396	4220	3549	2883	-	
		0.80	765	22	7532	6816	6605	6354	5782	4786	3882	3186	-	
		0.86	795	23	7827	7138	6951	6724	6205	5455	4325	3555	-	
	1	0.90	815	24	8024	7350	7177	6964	6471	5827	4716	3807	-	
		1.00	855	26	8418	7772	7618	7432	6983	6460	5636	4337	-	
		1.05	870	27	8566	7930	7779	7604	7170	6677	5958	4551	-	
	1 1/2	1.11	890	28	8763	8139	7933	7831	7420	6953	6335	4853	-	
		1.20	910	29	8960	8347	8205	8055	7667	7220	6668	5246	-	
		1.50	975	33	9600	9021	8890	8756	8440	8045	7618	6707	4842	
2	1.66	1015	35	9994	9434	9308	9180	8899	8542	8145	7416	5409		
	1.80	1045	38	10289	9742	9620	9496	9236	8905	8526	7880	5900		
	2.00	1075	41	10584	10050	9930	9811	9566	9260	8900	8300	6600		
3	2.20	1115	46	10978	10459	10343	10229	9995	9724	9396	8848	7521	5700	
	2.37	1145	51	11273	10766	10652	10540	10315	10065	9758	9237	8108	6204	

Performance ratings do not include the effects of appurtenances (accessories).

Power ratings (BHP) do not include transmission losses.

Performance certified is for installation type A-free inlet, free outlet.

The sound ratings shown are loudness values in fan sones @ 5' (1.5m) in a hemispherical free field calculated per AMCA Standard 301. Values shown are for installation Type A-Free inlet fan sone levels.

Due to air stream cooling, the motor loading into the service factor shown does not overheat the motor and is within NEMA recommended limits. BHP at most static pressure points is less than the maximum power shown - in many cases substantially less. Use Optimizer to see the exact BHP for your selection.



Model LC and Model L2

Size 30



JencoFan, Div. of Soler & Palau Ventilation Group, certifies that the models shown herein are licensed to bear the AMCA Seal. The ratings shown are based on test and procedures performed in accordance with AMCA Publication 211 and AMCA Publication 311 and comply with the requirement of the AMCA Certified Ratings Program.

LC:



Standard 705
(Optional)

L2:



Standard 705
(Optional)

Model	Limits		Panel OD Square	Min. Wall Opening	Damper OD	Approx. Wt
	RPM	Motor Frame				
LC	815	145T	36	37 1/2	34 1/2	100
L2	1070	182T	36	37 1/2	34 1/2	180

Size	Motor HP	Max BHP	Fan RPM	Sones (0.00" SP)	Static Pressure (Inches W.G)									
					.000	.100	.125	.150	.200	.250	.300	.375	.500	
Level 1 Construction	Model LC 30	1/4	0.25	425	8.3	6956	5509	4962	4215	-	-	-	-	-
			0.27	435	8.6	7119	5735	5212	4608	-	-	-	-	-
			0.30	450	9.0	7365	6062	5572	5034	-	-	-	-	-
		1/3	0.33	465	9.5	7610	6370	5922	5422	-	-	-	-	-
			0.36	480	9.9	7856	6665	6270	5794	-	-	-	-	-
			0.40	495	10.5	8101	6954	6603	6152	5073	-	-	-	-
	1/2	0.50	535	12.0	8756	7709	7419	7074	6211	-	-	-	-	
		0.55	550	12.7	9001	7988	7709	7400	6586	5511	-	-	-	
		0.59	565	13.3	9247	8271	7995	7712	6949	6052	-	-	-	
	3/4	0.75	610	15.3	9983	9117	8839	8589	7995	7242	6351	-	-	
		0.82	630	16.2	10311	9487	9216	8968	8436	7728	6945	-	-	
		0.90	650	17.1	10638	9853	9594	9343	8857	8198	7473	-	-	
	1	1.00	670	18.0	10965	10216	9969	9716	9253	8665	7978	6549	-	
		1.11	695	19.3	11375	10665	10434	10188	9738	9228	8581	7501	-	
		1.20	715	20	11702	11021	10802	10565	10120	9659	9098	8052	-	
	1 1/2	1.50	770	23	12602	11990	11798	11589	11151	10752	10298	9427	-	
1.63		790	23	12929	12339	12156	11956	11526	11135	10723	9899	8281		
1.78		815	24	13339	12773	12599	12411	12000	11609	11223	10482	9013		
Level 2 Construction	Model L2 30	1/3	0.33	480	9.7	7675	6417	5879	5284	-	-	-	-	
			0.36	495	10.3	7915	6706	6243	5678	-	-	-	-	
			0.40	505	10.7	8075	6895	6481	5932	4378	-	-	-	
		1/2	0.50	550	12.6	8794	7720	7432	7025	5986	-	-	-	
			0.56	570	13.6	9114	8078	7809	7479	6516	-	-	-	
			0.60	585	14.4	9354	8345	8087	7799	6896	-	-	-	
	3/4	0.75	630	17.6	10073	9146	8902	8659	7991	7096	-	-		
		0.83	650	18.4	10393	9499	9258	9026	8455	7609	6642	-		
		0.90	670	19.2	10713	9850	9614	9390	8890	8101	7200	-		
	1	1.00	685	19.9	10953	10112	9882	9659	9194	8460	7638	5700	-	
		1.10	710	21	11352	10546	10325	10106	9672	9068	8284	6802	-	
		1.20	735	22	11752	10978	10766	10550	10137	9637	8900	7679	-	
	1 1/2	1.50	795	25	12711	12004	11812	11615	11226	10836	10331	9292	-	
		1.65	820	26	13111	12428	12243	12054	11672	11302	10876	9908	-	
		1.80	845	27	13511	12851	12673	12490	12116	11760	11378	10510	-	
	2	2.00	875	29	13991	13356	13185	13010	12651	12303	11948	11233	9600	
2.22		905	31	14470	13859	13696	13528	13183	12840	12504	11907	10399		
2.40		930	32	14870	14278	14119	13957	13623	13284	12961	12435	11029		
3	3.00	1005	37	16069	15525	15381	15234	14930	14618	14308	13855	12846		
	3.30	1040	41	16629	16105	15967	15825	15534	15235	14930	14495	13600		
	3.60	1070	44	17109	16601	16467	16330	16049	15761	15465	15038	14279		

Performance ratings do not include the effects of appurtenances (accessories).

Power ratings (BHP) do not include transmission losses.

Performance certified is for installation type A-free inlet, free outlet.

The sound ratings shown are loudness values in fan sones @ 5' (1.5m) in a hemispherical free field calculated per AMCA Standard 301. Values shown are for installation Type A-Free inlet fan sone levels.

Due to air stream cooling, the motor loading into the service factor shown does not overheat the motor and is within NEMA recommended limits. BHP at most static pressure points is less than the maximum power shown - in many cases substantially less. Use Optimizer to see the exact BHP for your selection.



Model LC and Model L2

Size 36



JencoFan, Div. of Soler & Palau Ventilation Group, certifies that the models shown herein are licensed to bear the AMCA Seal. The ratings shown are based on test and procedures performed in accordance with AMCA Publication 211 and AMCA Publication 311 and comply with the requirement of the AMCA Certified Ratings Program.

Limits			Panel OD Square	Min. Wall Opening	Damper OD	Approx. Wt
Model	RPM	Motor Frame				
LC	695	145T	42	43 1/2	40 1/2	105
L2	845	184T	42	43 1/2	40 1/2	215



Construction	Model	Size	Motor HP	Max BHP	Fan RPM	Sones (0.00" SP)	Static Pressure (Inches W.G)									
							.000	.100	.125	.150	.200	.250	.300	.375	.500	.625
Level 1 Construction	Model LC 36	1/3	0.33	360	8.5	9927	7580	6735	5537	-	-	-	-	-	-	-
			0.35	370	8.9	10203	7973	7153	6222	-	-	-	-	-	-	-
			0.41	390	9.7	10755	8745	7976	7190	-	-	-	-	-	-	-
		1/2	0.50	415	10.8	11444	9631	8967	8237	6333	-	-	-	-	-	-
			0.55	430	11.5	11858	10126	9550	8849	7340	-	-	-	-	-	-
			0.59	440	11.9	12133	10449	9923	9248	7840	-	-	-	-	-	-
		3/4	0.75	475	13.7	13098	11556	11133	10611	9337	7872	-	-	-	-	-
			0.82	490	14.5	13512	12022	11620	11162	9954	8675	-	-	-	-	-
			0.90	505	15.3	13926	12485	12100	11686	10557	9348	7384	-	-	-	-
		1	1.00	525	16.4	14477	13103	12731	12348	11345	10187	8897	-	-	-	-
			1.09	540	17.3	14891	13562	13199	12834	11930	10809	9653	-	-	-	-
			1.19	555	18.1	15305	14018	13663	13312	12495	11419	10317	-	-	-	-
		1 1/2	1.50	600	20	16545	15373	15048	14720	14055	13195	12186	10619	-	-	-
			1.58	610	21	16821	15671	15353	15029	14381	13577	12590	11076	-	-	-
			1.79	635	22	17511	16413	16111	15801	15186	14497	13578	12146	-	-	-
		2	2.00	655	23	18062	17003	16713	16415	15819	15189	14366	12975	9909	-	-
2.22	680		24	18751	17737	17461	17177	16600	16014	15313	13996	11612	-	-		
2.37	695		25	19165	18176	17907	17631	17065	16499	15859	14594	12363	-	-		
Level 2 Construction	Model L2 36	1/2	0.49	410	11.5	10401	9012	8530	7939	6101	3751	2429	-	-	-	
			0.52	420	11.9	10655	9315	8862	8318	6704	4304	2801	-	-	-	
			0.56	430	12.4	10908	9615	9187	8682	7248	4924	3207	-	-	-	
		3/4	0.74	470	14.5	11923	10781	10428	10030	9033	7519	5326	3148	-	-	
			0.83	490	15.6	12430	11349	11024	10663	9790	8565	6673	3997	-	-	
			0.88	500	16.1	12684	11631	11317	10971	10148	9030	7335	4483	-	-	
		1	1.02	520	17.3	13191	12189	11896	11578	10836	9880	8524	5609	2815	-	
			1.12	540	18.5	13699	12742	12467	12171	11495	10656	9537	6926	3530	-	
			1.17	550	19.1	13952	13017	12750	12464	11815	11024	9994	7606	3926	-	
		1.5	1.48	590	22	14967	14106	13867	13613	13054	12403	11615	9987	5858	3443	
			1.60	610	23	15474	14646	14418	14178	13654	13053	12345	10952	7086	4191	
			1.83	630	24	15982	15183	14966	14738	14243	13685	13040	11820	8438	5041	
		2	1.97	650	25	16489	15718	15510	15292	14824	14302	13708	12619	9756	6021	
			2.12	670	27	16997	16251	16051	15843	15399	14907	14356	13370	10932	7161	
			2.30	690	28	17504	16782	16590	16391	15967	15502	14987	14084	11969	8455	
		3	2.84	740	31	18772	18102	17927	17746	17366	16956	16511	15758	14158	11709	
			3.14	765	33	19407	18759	18592	18419	18057	17669	17251	16554	15119	13062	
			3.53	795	35	20168	19546	19386	19222	18879	18514	18125	17483	16202	14476	
5	4.86	890	43	22578	22023	21883	21741	21447	21139	20816	20298	19323	18155			
	5.33	920	46	23339	22801	22667	22531	22249	21955	21648	21158	20249	19182			
	5.66	940	48	23846	23320	23189	23056	22782	22497	22199	21727	20856	19845			

Performance ratings do not include the effects of appurtenances (accessories).

Power ratings (BHP) do not include transmission losses.

Performance certified for installation type A-free inlet, free outlet.

The sound ratings shown are loudness values in fan sones @ 5' (1.5m) in a hemispherical free field calculated per AMCA Standard 301. Values shown are for installation Type A-Free inlet fan sone levels.

Due to air stream cooling, the motor loading into the service factor shown does not overheat the motor and is within NEMA recommended limits. BHP at most static pressure points is less than the maximum power shown - in many cases substantially less. Use Optimizer to see the exact BHP for your selection.



Model LC, Model L2 and Model L3

Size 42

Model	Limits		Panel OD Square	Min. Wall Opening	Damper OD	Approx. Wt
	RPM	Motor Frame				
LC	550	145T	48	49 1/2	46 1/2	110
L2	745	184T	48	49 1/2	46 1/2	235
L3	850	213T	48	49 1/2	46 1/2	260



JencoFan, Div. of Soler & Palau Ventilation Group, certifies that the models shown herein are licensed to bear the AMCA Seal. The ratings shown are based on test and procedures performed in accordance with AMCA Publication 211 and AMCA Publication 311 and comply with the requirement of the AMCA Certified Ratings Program.



LC:



L2 & L3:

Size	Motor HP	Max BHP	Fan RPM	Sones (0.10" SP)	Static Pressure (Inches W.G)												
					.000	.100	.125	.150	.200	.250	.300	.375	.500	.625	.750		
Level 1 Construction Model LC 42	1/3	0.33	285	8.3	12309	8342	6281	-	-	-	-	-	-	-	-	-	-
		0.37	295	8.3	12741	8967	7579	-	-	-	-	-	-	-	-	-	-
		0.41	305	8.4	13173	9658	8439	5438	-	-	-	-	-	-	-	-	-
	1/2	0.50	325	8.8	14037	10969	9725	8483	-	-	-	-	-	-	-	-	-
		0.54	335	9.3	14469	11549	10380	9305	-	-	-	-	-	-	-	-	-
		0.60	345	9.8	14901	12109	11073	9960	-	-	-	-	-	-	-	-	-
	3/4	0.75	375	11.4	16197	13705	12938	11928	9768	-	-	-	-	-	-	-	-
		0.83	385	12.0	16629	14218	13498	12606	10619	-	-	-	-	-	-	-	-
		0.90	395	12.6	17060	14724	14044	13252	11285	7292	-	-	-	-	-	-	-
	1	1.00	410	13.4	17708	15474	14842	14128	12233	9895	-	-	-	-	-	-	-
		1.11	425	14.3	18356	16214	15618	14966	13217	11433	6467	-	-	-	-	-	-
		1.20	435	14.9	18788	16703	16128	15508	13911	12182	8485	-	-	-	-	-	-
	1 1/2	1.50	470	16.9	20300	18400	17874	17336	16118	14419	12885	-	-	-	-	-	-
		1.65	485	17.9	20948	19119	18609	18095	16964	15460	13900	9198	-	-	-	-	-
		1.81	500	18.8	21596	19833	19339	18845	17784	16470	14848	11827	-	-	-	-	-
	2	2.00	515	19.8	22243	20543	20067	19587	18583	17410	15805	13517	-	-	-	-	-
		2.22	535	21	23107	21482	21029	20566	19623	18561	17190	15068	-	-	-	-	-
		2.40	550	22	23755	22182	21746	21295	20388	19393	18190	16034	-	-	-	-	-
	Level 2 Construction Model L2 42	1/3	0.33	285	7.8	10509	7477	5671	3612	-	-	-	-	-	-	-	-
			0.36	290	8.0	10694	7789	6342	4014	-	-	-	-	-	-	-	-
0.40			300	8.1	11062	8381	7206	4906	-	-	-	-	-	-	-	-	
1/2		0.50	325	8.9	11984	9671	8755	7643	-	-	-	-	-	-	-	-	
		0.55	335	9.4	12353	10149	9347	8304	-	-	-	-	-	-	-	-	
		0.60	345	10.0	12722	10621	9901	8910	-	-	-	-	-	-	-	-	
3/4		0.75	370	11.5	13644	11823	11131	10411	8367	-	-	-	-	-	-	-	
		0.84	385	12.4	14197	12521	11841	11206	9474	6112	-	-	-	-	-	-	
		0.90	395	13.0	14566	12972	12316	11697	10087	7124	-	-	-	-	-	-	
1		1.00	405	13.7	14934	13406	12803	12178	10697	8279	-	-	-	-	-	-	
		1.10	420	14.6	15487	14041	13516	12889	11606	9898	6533	-	-	-	-	-	
		1.20	435	15.7	16041	14664	14206	13604	12449	10877	8053	-	-	-	-	-	
1 1/2		1.50	470	18.0	17331	16089	15716	15265	14174	13001	11506	7343	-	-	-	-	
		1.66	485	19.0	17884	16689	16339	15942	14884	13846	12428	8858	-	-	-	-	
		1.81	495	19.6	18253	17088	16750	16375	15354	14366	13037	9983	-	-	-	-	
2		2.00	515	21	18990	17880	17564	17222	16325	15345	14250	12166	-	-	-	-	
		2.24	535	22	19728	18666	18369	18052	17271	16299	15368	13458	-	-	-	-	
		2.42	550	23	20281	19253	18969	18666	17959	17006	16121	14360	9183	-	-	-	
3		3.00	590	26	21756	20806	20549	20280	19690	18928	18041	16738	13692	8037	-	-	
		3.33	610	27	22494	21578	21333	21077	20524	19855	18985	17781	15060	9786	6188		
	3.60	625	28	23047	22156	21918	21671	21141	20531	19717	18517	15977	11312	7195			
	5.00	700	34	25812	25024	24818	24606	24164	23687	23156	22103	20314	17936	14112			
	5.52	720	36	26550	25785	25586	25382	24957	24503	24005	23060	21299	19163	16540			
	6.07	745	38	27472	26734	26542	26347	25942	25513	25049	24222	22500	20666	18311			
Level 3 Model L3 42	7 1/2	7.50	800	43	29500	28816	28639	28460	28091	27705	27298	26628	25120	23570	21683		
		8.17	825	46	30422	29759	29589	29416	29061	28692	28305	27676	26325	24778	23147		
		8.93	850	48	31344	30701	30537	30369	30027	29673	29304	28710	27497	25965	24512		

Performance ratings do not include the effects of appurtenances (accessories).

Power ratings (BHP) do not include transmission losses.

Performance certified is for installation type A-free inlet, free outlet.

The sound ratings shown are loudness values in fan sones @ 5' (1.5m) in a hemispherical free field calculated per AMCA Standard 301. Values shown are for installation Type A-Free inlet fan sone levels.

Due to air stream cooling, the motor loading into the service factor shown does not overheat the motor and is within NEMA recommended limits. BHP at most static pressure points is less than the maximum power shown - in many cases substantially less. Use Optimizer to see the exact BHP for your selection.



Model LC, Model L2 and Model L3

Size 48



JencoFan, Div. of Soler & Palau Ventilation Group, certifies that the models shown herein are licensed to bear the AMCA Seal. The ratings shown are based on test and procedures performed in accordance with AMCA Publication 211 and AMCA Publication 311 and comply with the requirement of the AMCA Certified Ratings Program.



Model	Limits		Panel OD Square	Min. Wall Opening	Damper OD	Approx. Wt
	RPM	Motor Frame				
LC	455	145T	54	55 1/2	52 1/2	125
L2	605	184T	54	55 1/2	52 1/2	300
L3	765	215T	54	55 1/2	52 1/2	330

Size	Motor HP	Max BHP	Fan RPM	Sones (0.10" SP)	Static Pressure (Inches W.G)												
					.000	.100	.125	.150	.200	.250	.300	.375	.500	.625	.750		
Level 1 Construction Model LC 48	1/2	0.50	270	9.5	16739	11961	9933	-	-	-	-	-	-	-	-	-	-
		0.56	280	9.7	17359	12936	11133	6659	-	-	-	-	-	-	-	-	-
		0.62	290	10.0	17979	13841	12199	10077	-	-	-	-	-	-	-	-	-
	3/4	0.69	300	10.4	18599	14684	13193	11413	-	-	-	-	-	-	-	-	-
		0.75	310	10.9	19219	15459	14171	12556	-	-	-	-	-	-	-	-	-
		0.83	320	11.6	19839	16210	15101	13600	-	-	-	-	-	-	-	-	-
	1	0.91	330	12.1	20459	16949	15969	14584	10759	-	-	-	-	-	-	-	-
		1.00	340	12.7	21079	17678	16778	15563	12363	-	-	-	-	-	-	-	-
		1.09	350	13.4	21699	18411	17542	16493	13606	-	-	-	-	-	-	-	-
	1 1/2	1.14	355	13.7	22009	18777	17917	16936	14174	-	-	-	-	-	-	-	-
		1.23	365	14.3	22629	19504	18659	17784	15243	10868	-	-	-	-	-	-	-
		1.50	390	15.9	24179	21296	20488	19711	17720	15058	-	-	-	-	-	-	-
	2	1.63	400	16.7	24799	22004	21219	20452	18668	16187	11973	-	-	-	-	-	-
		1.82	415	17.8	25729	23054	22306	21548	19994	17746	14950	-	-	-	-	-	-
		2.00	430	18.9	26659	24093	23381	22647	21217	19215	16819	-	-	-	-	-	-
	Level 2 Construction Model L2 48	1/2	2.16	440	19.6	27279	24779	24091	23377	21983	20194	17929	-	-	-	-	-
			2.39	455	21	28209	25800	25148	24463	23107	21574	19479	15382	-	-	-	-
			0.51	265	8.9	14897	11015	9603	7178	-	-	-	-	-	-	-	-
3/4		0.55	270	9.1	15178	11448	10050	8090	-	-	-	-	-	-	-	-	
		0.60	280	9.3	15740	12285	10907	9442	-	-	-	-	-	-	-	-	
		0.69	295	10.1	16584	13462	12204	10941	-	-	-	-	-	-	-		
1		0.75	300	10.4	16865	13840	12639	11376	7002	-	-	-	-	-	-		
		0.82	310	11.2	17427	14578	13485	12223	9041	-	-	-	-	-			
		0.90	320	11.9	17989	15300	14290	13092	10504	-	-	-	-	-			
1 1/2		0.93	325	12.2	18270	15656	14681	13530	11096	-	-	-	-	-			
		1.00	335	13.0	18832	16352	15443	14388	12128	7739	-	-	-	-			
		1.13	345	13.8	19394	17033	16183	15213	13014	9825	-	-	-	-			
2		1.23	355	14.6	19957	17701	16908	16003	13866	11386	-	-	-	-			
		1.50	380	16.4	21362	19320	18656	17879	16032	14051	11129	-	-	-			
		1.68	395	17.5	22205	20262	19664	18958	17294	15342	13239	-	-	-			
3		1.80	405	18.2	22767	20884	20322	19661	18094	16184	14339	-	-	-			
		2.00	420	19.4	23611	21808	21293	20689	19252	17504	15719	-	-	-			
		2.20	430	20	24173	22419	21926	21361	20000	18365	16577	13276	-	-			
5	2.40	445	21	25016	23331	22864	22350	21095	19608	17847	15192	-	-				
	3.00	480	24	26983	25436	25020	24580	23553	22305	20871	18470	12309	-				
	3.36	495	25	27827	26331	25932	25514	24564	23402	22080	19734	15092	-				
7 1/2	3.62	510	27	28670	27222	26838	26439	25556	24479	23245	21054	17098	-				
	5.00	565	31	31762	30464	30127	29781	29053	28231	27262	25589	22235	18481				
	5.44	585	33	32886	31635	31311	30980	30290	29535	28650	27105	23969	20741				
Level 3 Construction Model L3 48	10	6.13	605	35	34010	32802	32491	32174	31516	30811	30001	28571	25707	22582	14450		
		7.50	650	40	36540	35419	35132	34841	34243	33616	32945	31753	29362	26441	23603		
		8.11	670	42	37664	36578	36300	36020	35444	34844	34209	33113	30886	28190	25367		
	12	9.05	695	45	39070	38023	37757	37487	36937	36367	35770	34774	32730	30306	27485		
		10.00	720	48	40475	39466	39210	38951	38423	37880	37314	36401	34530	32304	29666		
		10.88	740	50	41600	40618	40369	40118	39607	39083	38540	37674	35937	33846	31401		
12.00	765	52	43005	42056	41816	41574	41083	40580	40061	39243	37651	35714	33496				

Performance ratings do not include the effects of appurtenances (accessories).

Power ratings (BHP) do not include transmission losses.

Performance certified is for installation type A-free inlet, free outlet.

The sound ratings shown are loudness values in fan sones @ 5' (1.5m) in a hemispherical free field calculated per AMCA Standard 301. Values shown are for installation Type A-Free inlet fan sone levels.

Due to air stream cooling, the motor loading into the service factor shown does not overheat the motor and is within NEMA recommended limits. BHP at most static pressure points is less than the maximum power shown - in many cases substantially less. Use Optimizer to see the exact BHP for your selection.



Model LC, Model L2 and Model L3

Size 54



JencoFan, Div. of Soler & Palau Ventilation Group, certifies that the models shown herein are licensed to bear the AMCA Seal. The ratings shown are based on test and procedures performed in accordance with AMCA Publication 211 and AMCA Publication 311 and comply with the requirement of the AMCA Certified Ratings Program.

Model	Limits		Panel OD Square	Min. Wall Opening	Damper OD	Approx. Wt
	RPM	Motor Frame				
LC	425	182T	60	61 1/2	58 1/2	240
L2	515	184T	60	61 1/2	58 1/2	400
L3	740	256T	60	61 1/2	58 1/2	500



Size	Motor HP	Max BHP	Fan RPM	Sones (0.15" SP)	Static Pressure (Inches W.G)											
					.000	.125	.150	.200	.250	.300	.375	.500	.625	.750		
Level 1 Construction	Model LC 54	3/4	0.75	250	9.8	21652	14977	10311	-	-	-	-	-	-	-	
			0.82	260	10.4	22518	16507	13479	-	-	-	-	-	-	-	
			0.92	270	11.0	23384	17932	15352	10232	-	-	-	-	-	-	
		1	1.00	275	11.4	23817	18559	16095	11620	-	-	-	-	-	-	
			1.09	285	12.3	24683	19720	17561	14816	-	-	-	-	-	-	
			1.20	295	13.1	25550	20825	19097	16699	-	-	-	-	-	-	
		1 1/2	1.50	315	14.8	27282	22932	21633	19683	12699	-	-	-	-	-	
			1.61	325	15.5	28148	23950	22757	21183	15785	-	-	-	-	-	
			1.84	340	16.8	29447	25449	24372	23109	19183	-	-	-	-	-	
	2	2.00	350	17.7	30313	26434	25414	24259	20671	13599	-	-	-	-		
		2.19	360	18.5	31179	27408	26437	25365	22133	16456	-	-	-	-		
		2.38	370	19.4	32045	28375	27445	26439	23692	19651	-	-	-	-		
	3	3.00	400	22	34643	31236	30401	29530	27543	24351	20039	-	-	-		
		3.35	415	23	35943	32648	31852	31029	29213	26686	23274	-	-	-		
		3.60	425	24	36809	33585	32812	32015	30290	28100	24785	15677	-	-		
	Level 2 Construction	Model L2 54	1	1.00	280	12.9	22680	17068	15430	10747	-	-	-	-	-	
				1.08	290	12.8	23490	18289	16585	13352	-	-	-	-	-	
				1.20	300	13.3	24300	19435	17847	14940	-	-	-	-	-	
1 1/2			1.50	325	14.7	26325	22071	20881	18012	15063	-	-	-	-		
			1.66	335	15.3	27135	23051	21991	19167	16645	-	-	-	-		
			1.82	345	15.9	27945	24009	23055	20429	17977	13943	-	-	-		
2			2.00	355	16.5	28755	24951	24076	21693	19167	16320	-	-	-		
			2.14	370	17.4	29970	26337	25543	23506	20904	18665	-	-	-		
			2.42	380	18.1	30780	27250	26496	24642	22110	19943	12875	-	-		
3		3.00	405	19.8	32805	29495	28822	27307	25251	22863	19592	-	-			
		3.26	420	21	34020	30816	30188	28793	27006	24696	21705	-	-			
		3.63	435	22	35235	32123	31538	30237	28662	26595	23500	-	-			
5		5.00	485	27	39285	36430	35924	34861	33677	32300	29567	25066	-			
		5.35	495	28	40095	37284	36789	35763	34624	33339	30803	26276	19008			
		6.04	515	29	41715	38988	38510	37550	36487	35323	33144	28610	24012			
Level 3 Construction		Model L3 54	7 1/2	6.94	540	31	43740	41110	40651	39742	38772	37717	35876	31600	27746	19763
				7.50	555	33	44955	42378	41930	41046	40126	39121	37436	33508	29564	24604
				8.60	580	35	46980	44488	44055	43206	42356	41424	39902	36579	32473	28797
	10		10.00	610	38	49410	47011	46594	45782	44978	44138	42758	39973	36128	32626	
			11.06	630	40	51030	48690	48283	47491	46713	45923	44619	42105	38653	34954	
			12.15	650	42	52650	50364	49967	49195	48439	47682	46454	44142	41077	37264	
	15		15.00	700	48	56700	54541	54164	53434	52725	52024	50955	48962	46617	43558	
			16.45	720	51	58320	56207	55837	55123	54430	53747	52721	50830	48684	45923	
			17.85	740	53	59940	57872	57509	56809	56130	55464	54469	52675	50659	48179	

Performance ratings do not include the effects of appurtenances (accessories).

Power ratings (BHP) do not include transmission losses.

Performance certified for installation type A-free inlet, free outlet.

The sound ratings shown are loudness values in fan sones @ 5' (1.5m) in a hemispherical free field calculated per AMCA Standard 301. Values shown are for installation Type A-Free inlet fan sone levels.

Due to air stream cooling, the motor loading into the service factor shown does not overheat the motor and is within NEMA recommended limits. BHP at most static pressure points is less than the maximum power shown - in many cases substantially less. Use Optimizer to see the exact BHP for your selection.



Model LC, Model L2 and Model L3

Size 60

Model	Limits		Panel OD Square	Min. Wall Opening	Damper OD	Approx. Wt
	RPM	Motor Frame				
LC	380	182T	66	67 1/2	64 1/2	285
L2	460	184T	66	67 1/2	64 1/2	490
L3	700	256T	66	67 1/2	64 1/2	530



JencoFan, Div. of Soler & Palau Ventilation Group, certifies that the models shown herein are licensed to bear the AMCA Seal. The ratings shown are based on test and procedures performed in accordance with AMCA Publication 211 and AMCA Publication 311 and comply with the requirement of the AMCA Certified Ratings Program.



Construction	Size	Motor HP	Max BHP	Fan RPM	Sones (0.00" SP)	Static Pressure (Inches W.G)										
						.000	.125	.150	.200	.250	.375	.500	.625	.750	1.000	
Level 1 Construction	Model LC 60	1	1.00	250	10.3	26878	20089	16672	-	-	-	-	-	-	-	
			1.08	255	10.7	27416	20835	18009	-	-	-	-	-	-	-	
			1.21	265	11.5	28491	22275	20109	-	-	-	-	-	-	-	
		1 1/2	1.50	285	13.0	30641	25041	23280	20999	-	-	-	-	-	-	
			1.69	295	13.9	31717	26369	24721	22844	-	-	-	-	-	-	
			1.75	300	14.3	32254	27023	25433	23649	-	-	-	-	-	-	
	2	2.00	310	15.1	33329	28317	26824	25176	18811	-	-	-	-	-		
		2.23	325	16.3	34942	30222	28846	27344	23361	-	-	-	-	-		
		2.44	335	17.1	36017	31464	30159	28751	25399	-	-	-	-	-		
	3	3.03	360	19.1	38705	34490	33367	32125	29373	25314	-	-	-	-		
		3.29	370	20	39780	35672	34618	33430	30822	27531	-	-	-	-		
		3.56	380	21	40855	36826	35849	34723	32244	29351	-	-	-	-		
Level 2 Construction	Model L2 60	1	1.00	250	9.9	25631	17744	15842	-	-	-	-	-	-		
			1.08	260	10.6	26656	19351	17368	-	-	-	-	-	-		
			1.21	270	11.3	27681	20986	18860	15136	-	-	-	-	-		
		1 1/2	1.50	290	12.7	29732	23756	22062	18500	-	-	-	-	-		
			1.67	300	13.4	30757	25033	23639	20021	16501	-	-	-	-		
			1.83	310	14.2	31782	26280	25017	21513	18376	-	-	-	-		
	2	2.00	320	15.0	32808	27513	26324	23013	20017	-	-	-	-			
		2.11	325	15.4	33320	28131	26963	23823	20803	-	-	-	-			
		2.22	330	15.8	33833	28744	27594	24667	21569	-	-	-	-			
	3	3.00	365	19.0	37421	32929	31915	29813	26912	19530	-	-	-			
		3.38	380	20	38959	34674	33724	31731	29390	22561	-	-	-			
		3.64	390	21	39984	35821	34914	32979	30912	24209	-	-	-			
5	5.00	435	25	44598	40862	40121	38488	36744	31031	25399	-	-				
	5.60	450	26	46136	42519	41809	40275	38594	33461	27901	-	-				
	5.98	460	27	47161	43618	42926	41454	39830	35125	29479	-	-				
Level 3 Construction	Model L3 60	7 1/2	7.03	485	29	49724	46353	45700	44359	42869	38864	33248	28162	-		
			7.50	495	30	50749	47441	46803	45502	44065	40196	34740	29870	-		
			7.91	505	31	51774	48527	47902	46633	45252	41497	36241	31497	-		
		10	9.09	530	34	54338	51231	50636	49437	48180	44658	40368	35343	30623		
			10.00	545	35	55875	52847	52268	51107	49912	46512	42747	37583	33176		
			10.78	560	37	57413	54459	53895	52767	51617	48365	44872	39824	35577		
	15	11.98	580	39	59464	56603	56058	54969	53868	50812	47513	43039	38629			
		15.00	625	44	64077	61406	60896	59886	58874	56189	53177	50021	45397	37596		
		16.48	645	47	66128	63532	63037	62056	61078	58529	55646	52673	48763	40825		
				17.98	665	49	68178	65654	65173	64219	63271	60843	58098	55240	51973	43894

Performance ratings do not include the effects of appurtenances (accessories).

Power ratings (BHP) do not include transmission losses.

Performance certified for installation type A-free inlet, free outlet.

The sound ratings shown are loudness values in fan sones @ 5' (1.5m) in a hemispherical free field calculated per AMCA Standard 301. Values shown are for installation Type A-Free inlet fan sone levels.

Due to air stream cooling, the motor loading into the service factor shown does not overheat the motor and is within NEMA recommended limits. BHP at most static pressure points is less than the maximum power shown - in many cases substantially less. Use Optimizer to see the exact BHP for your selection.



Model L3

Size 72



JencoFan, Div. of Soler & Palau Ventilation Group, certifies that the models shown herein are licensed to bear the AMCA Seal. The ratings shown are based on test and procedures performed in accordance with AMCA Publication 211 and AMCA Publication 311 and comply with the requirement of the AMCA Certified Ratings Program.

Limits			Panel OD Square	Min. Wall Opening	Damper OD	Approx. Wt
Model	RPM	Motor Frame				
L3	545	256T	80	81 1/2	78 1/2	600



Standard 705
(Optional)

Size	Motor HP	Max BHP	Fan RPM	Sones (0.00" SP)	Static Pressure (Inches W.G)										
					.000	.125	.200	.250	.300	.375	.500	.625	.750	1.000	
Level 3 Construction Model L3 72	1 1/2	1.29	225	22	35129	20805	-	-	-	-	-	-	-	-	-
		1.50	235	23	36690	23490	11736	-	-	-	-	-	-	-	-
		1.77	250	25	39032	28557	16766	-	-	-	-	-	-	-	-
	2	2.00	260	27	40593	30797	19872	12185	-	-	-	-	-	-	-
		2.23	270	28	42154	33105	22720	15591	-	-	-	-	-	-	-
		2.36	275	29	42935	34370	23988	17268	-	-	-	-	-	-	-
	3	3.00	295	34	46058	38778	28928	23480	16818	-	-	-	-	-	-
		3.22	305	36	47619	40624	32722	26224	20149	-	-	-	-	-	-
		3.54	315	39	49180	42421	35839	28644	23303	-	-	-	-	-	-
	5	4.26	335	44	52303	45927	40304	34243	28943	20547	-	-	-	-	-
		5.00	350	48	54645	48505	44011	39490	32581	25385	-	-	-	-	-
		5.98	375	56	58548	52752	49397	45162	40602	32470	19719	-	-	-	-
	7	6.44	385	60	60109	54439	52140	47621	43710	34888	23115	-	-	-	-
		7.50	405	64	63232	57793	54820	52395	48197	39949	29577	17215	-	-	-
		8.71	425	67	66354	61123	58310	56291	52989	47294	35402	24005	-	-	-
10	10.00	445	69	69477	64435	61744	59908	57687	52162	40392	30620	19305	-	-	
	11.04	460	71	71819	66908	64294	62555	60633	55471	44092	35242	24397	-	-	
	12.15	475	74	74160	69373	66838	65165	63387	59202	48920	39535	29471	-	-	
15	15.00	510	79	79625	75100	72720	71154	69590	66984	59376	48219	40396	-	-	
	16.41	525	81	81967	77547	75223	73700	72190	69767	62695	52353	44585	26079	-	
	18.36	545	85	85089	80799	78545	77078	75619	73370	67480	59891	49467	32867	-	

Performance ratings do not include the effects of appurtenances (accessories).

Power ratings (BHP) do not include transmission losses.

Performance certified is for installation type A-free inlet, free outlet.

The sound ratings shown are loudness values in fan sones @ 5' (1.5m) in a hemispherical free field calculated per AMCA Standard 301. Values shown are for installation Type A-Free inlet fan sone levels.

Due to air stream cooling, the motor loading into the service factor shown does not overheat the motor and is within NEMA recommended limits. BHP at most static pressure points is less than the maximum power shown - in many cases substantially less. Use Optimizer to see the exact BHP for your selection.

MODELS GED/GSD, DFE/DFS, DDE/DDS

DIRECT DRIVE SIDEWALL PROPELLER FANS

LINE OVERVIEW




JencoFan's Direct Drive Sidewall Propeller Fan line is designed to exhaust or supply large volumes of air at relatively low static pressures. With 3 types of construction, the direct drive models are designed for use in a variety of applications for commercial, industrial and agricultural buildings such as manufacturing and assembly plants, warehouses, parking garages, gymnasiums, equipment rooms, distribution centers, foundries, boiler rooms, greenhouses and OEM applications. The direct drive models provide general ventilation for a wide variety of buildings and enclosed areas within buildings. Examples include factories, assembly plants, warehouses, gymnasiums, garages, jails, machine rooms and many others.

These Sidewall Propeller Fans are rated from 300 to 55,000 CFM with static pressures to 1" w.g. Models range from 10 to 60". A full line of accessories is available to meet any need or specification. See the below Model Comparison to find the right Direct Drive Sidewall Propeller Fan for your application.

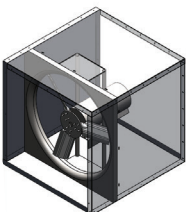
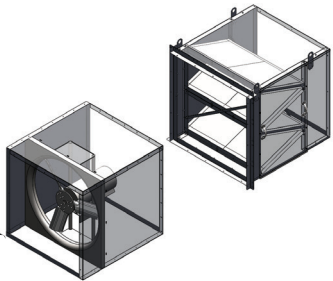
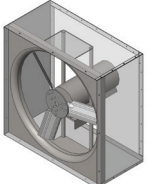
Model GED is available in our Quickship program. Most sizes are available for next day or 10-day shipping from stock.



MODEL COMPARISON

Construction Type	Model	Size Range	Performance
	GED GSD	10 to 20"	300 to 3,500 CFM up to 3/4" w.g.
	DFE DFS	10 to 30"	500 to 12,000 CFM up to 1" w.g.
	DDE DDS	24 to 60"	3,500 to 55,000 CFM up to 1" w.g..

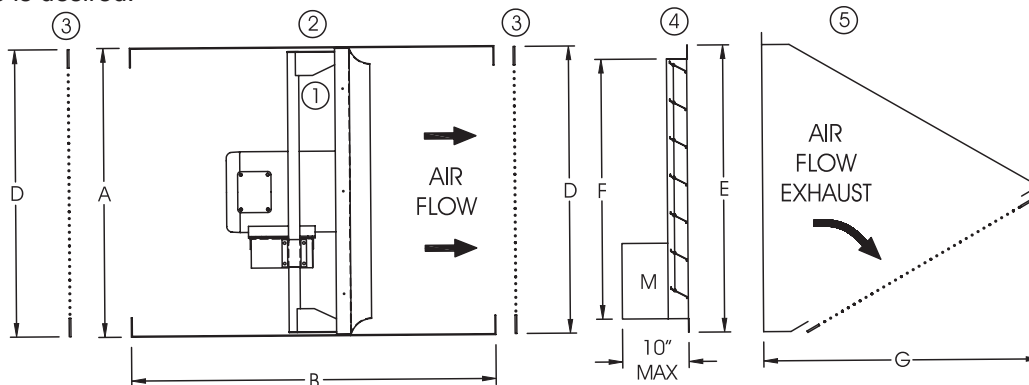
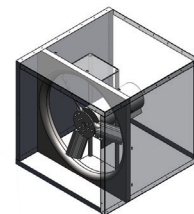
MOUNTING ARRANGEMENT OPTIONS

Mounting Arrangement	Description
Wall Housing 	Heavy-gauge, all galvanized G-90 steel housing provides a simple solution to installing a fan and all required accessories in a rough wall opening. It can be used in exhaust or supply applications and in fan sizes 10 through 60 inch.
Filtered Wall Housing 	For installations where filtering is required. Heavy-gauge, all galvanized G-90 steel filtered wall housings are available in both supply and exhaust configurations. They are available in nine (9) sizes for fans ranging from size 14 to 60 inches. They are designed with the draw-thru concept to achieve the highest filter and fan efficiencies.
Wall Collar 	Heavy-gauge, all G-90 galvanized mounting collar provides a simple solution to installing a fan in a rough wall opening when a rear safety guard is NOT required.

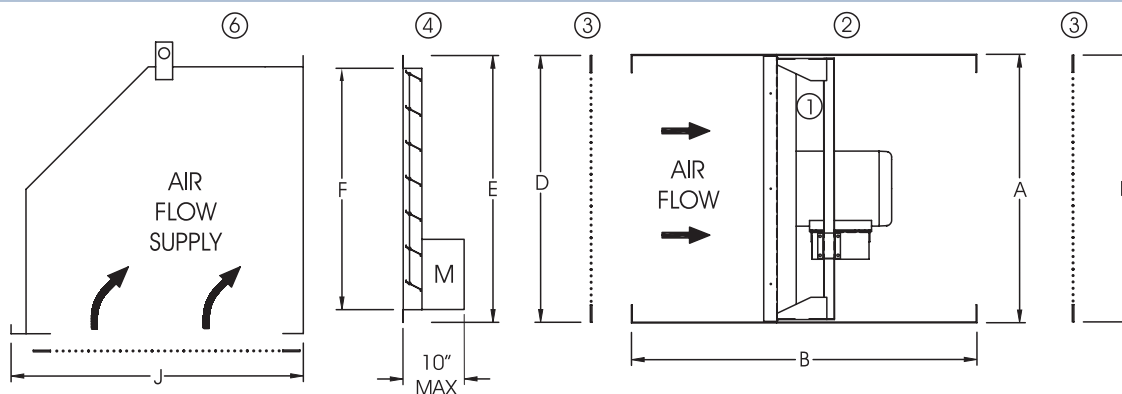


WALL HOUSING MOUNTING OPTIONS

WALL HOUSING: This heavy-gauge, all galvanized G-90 steel (aluminum optional) housing provides a simple solution to installing a fan and all specified accessories in a rough wall opening. It can be used in exhaust or supply applications and maintains the proper clearance between the fan and damper. Depending on space and maintenance requirements, the wall housing may be installed projecting inside or outside of the building. All housings ship assembled with the fan to lessen job site installation costs. Wire motorside guard, damper or propeller side guard and rainhood may be attached to the flange. We strongly recommend a rainhood and motorized shutter for all supply applications and whenever additional weather resistance is desired.



Fan Size	A (S.Q.) O.D. ①	Wall Housing ②				Minimum Wall Opening	Flat Guard ③	Damper ④		Rainhood Exhaust 45 Deg. ⑤		
		B Length						Square	D (SQ.)		E (O.D.)	F
		GED & DFE Only		DDE/DDS								
		Exhaust	Supply	Exhaust	Supply							
10/12	17	26	26	N/A	N/A	17 1/2	16	14 1/2	12	16 3/4		
14/16	21	26	26	N/A	N/A	21 1/2	20	18 1/2	16	20 1/4		
18/20	25	26	26	N/A	N/A	25 1/2	24	22 1/2	20	24 1/4		
24	31	44	44	44	44	31 1/2	30	28 1/2	26	28 1/2		
30	37	44	44	44	44	37 1/2	36	34 1/2	32	34 1/2		
36	43	N/A	N/A	44	44	43 1/2	42	40 1/2	38	40 1/2		
42	49	N/A	N/A	44	44	49 1/2	48	46 1/2	44	44 1/2		
48	55	N/A	N/A	44	44	55 1/2	54	52 1/2	50	49 1/2		
54	61	N/A	N/A	44	44	61 1/2	60	58 1/2	56	55		
60	67	N/A	N/A	44	44	67 1/2	66	64 1/2	62	69		



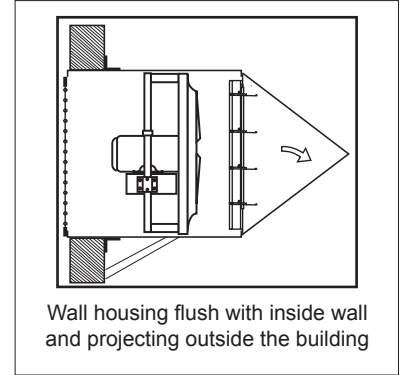
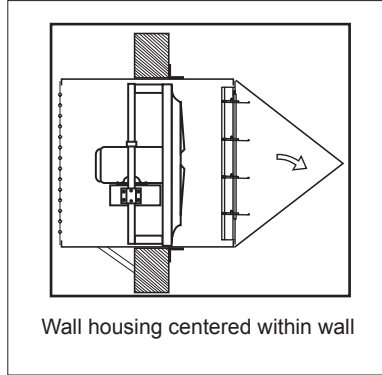
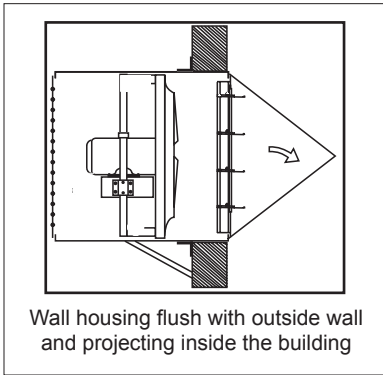
90 Deg. Supply Rainhood - Sizes 20 Thru 60

Fan Size	Width	Height	J	Gauge	Degree
20	22	22	27 3/4	18	90
24	27 1/4	26 1/2	38 1/2	18	90
30	32 1/2	33 1/2	44 1/2	18	90
36	38 1/2	39 1/4	49	18	90
42	44 1/2	45 1/4	56 1/2	18	90
48	50 1/2	51 1/2	62 1/2	18	90
54	56 3/4	57	73	18	90
60	62 3/4	63	73	18	90



WALL HOUSING STANDARD MOUNTING ARRANGEMENTS

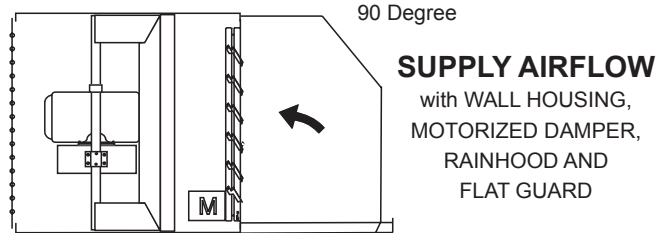
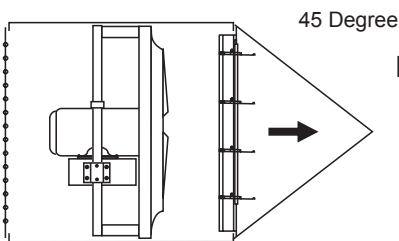
The most common mounting arrangement (below left) leaves a clean building exterior and allows access to the fan, motor and drives from inside the building. Additional bracing angle, rod or cable (field provided) should be used in addition to the mounting angles to support the fan and wall housing assembly.



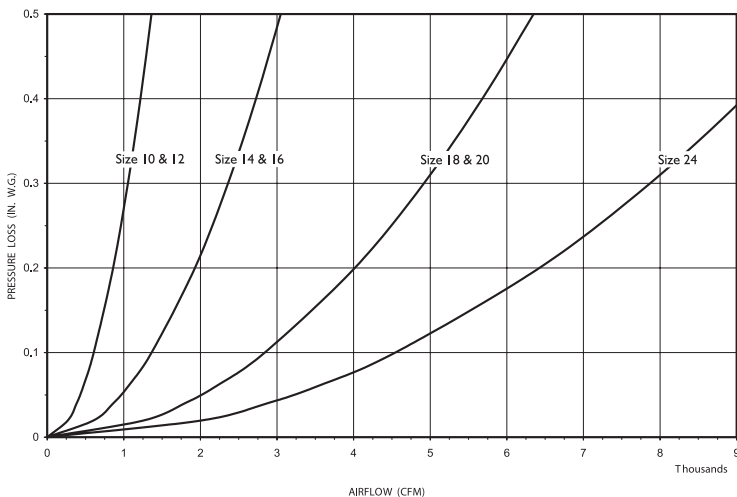
NOTE: Supply applications have the fan venturi spun on the opposite side of the fans shown above. The fans shown are exhaust. Rainhoods are required on supply applications and recommended on exhaust applications where additional weather protection is desired. Exhaust and/or supply fans installed as shown should be serviced from the interior of the building. Where service is required from the exterior of the building, consult the factory or representative for recommendations. All bracing shown is field provided. Field flashing and caulking of wall housing seams and unused mounting holes, will ensure a weather resistant installation.

PRESSURE LOSS GUIDE FOR ACCESSORIES

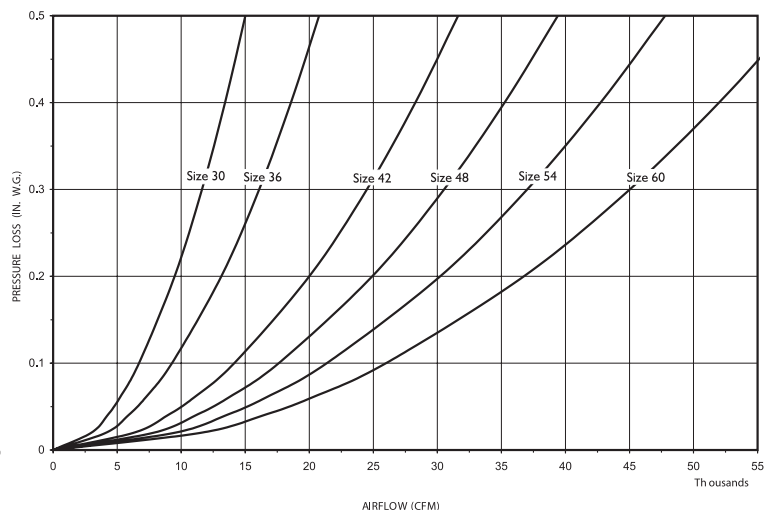
Use the estimated pressure drop graphs to help select the proper exhaust or supply fan that will deliver the desired airflow. Enter the graph from the bottom at the specified CFM and move vertically upward to the fan curve for the desired size, then horizontally to the left and read the estimated static pressure drop resulting from these typical accessory packages. Add the accessory pressure loss to the system (or building) design static pressure loss to obtain the total static pressure loss to be used for the proper fan selection.



SIZES 10 THROUGH 24



SIZES 30 THROUGH 60

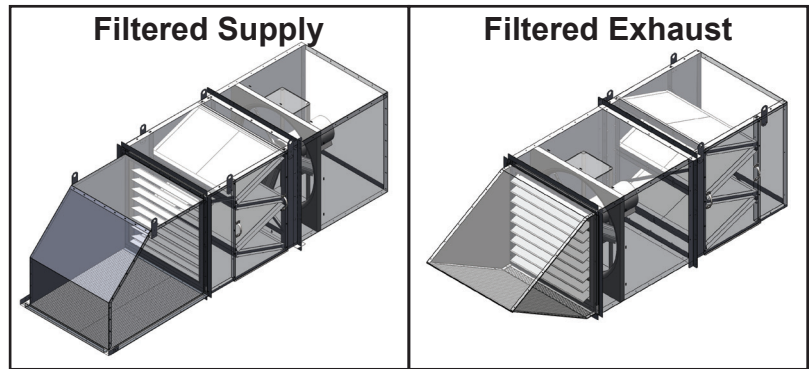




FILTERED WALL HOUSING MOUNTING OPTIONS

Filtered wall housings are available in both supply and exhaust configurations. They are available in nine (9) sizes for fans ranging from size 14 to 60 inches. They are designed with the draw-thru concept to achieve the highest filter and fan efficiencies.

Standard construction is galvanized steel. Mounting flanges are factory installed for either flush exterior or flush interior. Permanent 2-inch (51 mm) washable filters are accessed through a bolted or hinged panel and can be easily removed for cleaning.



FILTERED SUPPLY WALL HOUSING

Standard Features and Options

1. **Wall Housing Box (Standard)**

2. **Filter Box (Standard)**

- Bolted or Hinged Door
- Includes 2 sets of flanges for mounting filter box to wall housing.

3. **Wall Mount Flanges**

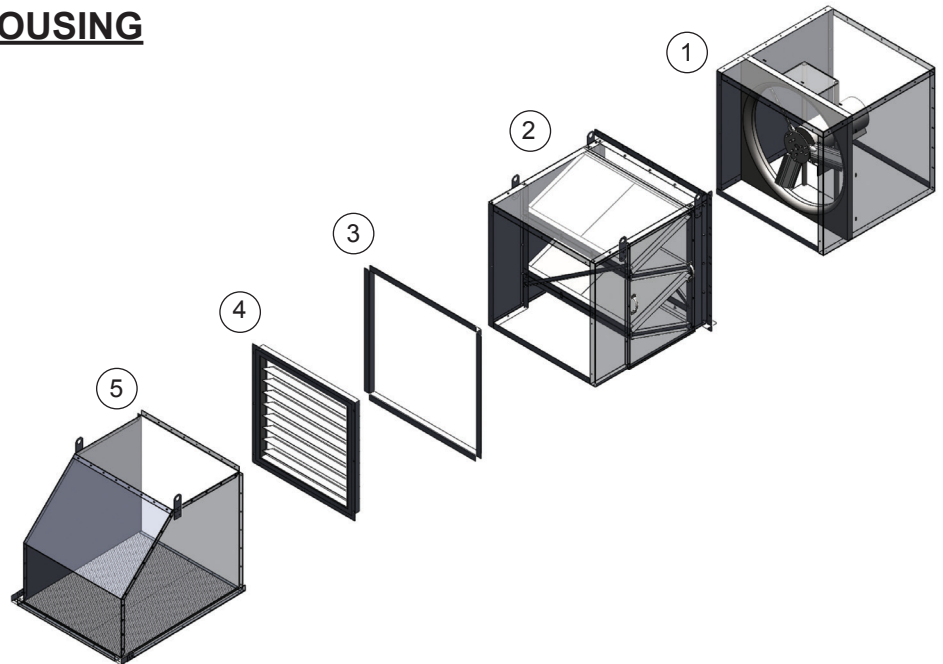
- Set of 4 - shipped loose

4. **Damper (Optional)**

- Supply Type
- Gravity, Motorized, or Center Pivot

5. **Rain Hood (Optional)**

- 90 Degree - Supply Type



FILTERED EXHAUST WALL HOUSING

Standard Features and Options

1. **Wall Housing Box (Standard)**

2. **Filter Box (Standard)**

- Bolted or Hinged Door
- Includes 2 sets of flanges for mounting filter box to wall housing.

3. **Wall Mount Flanges**

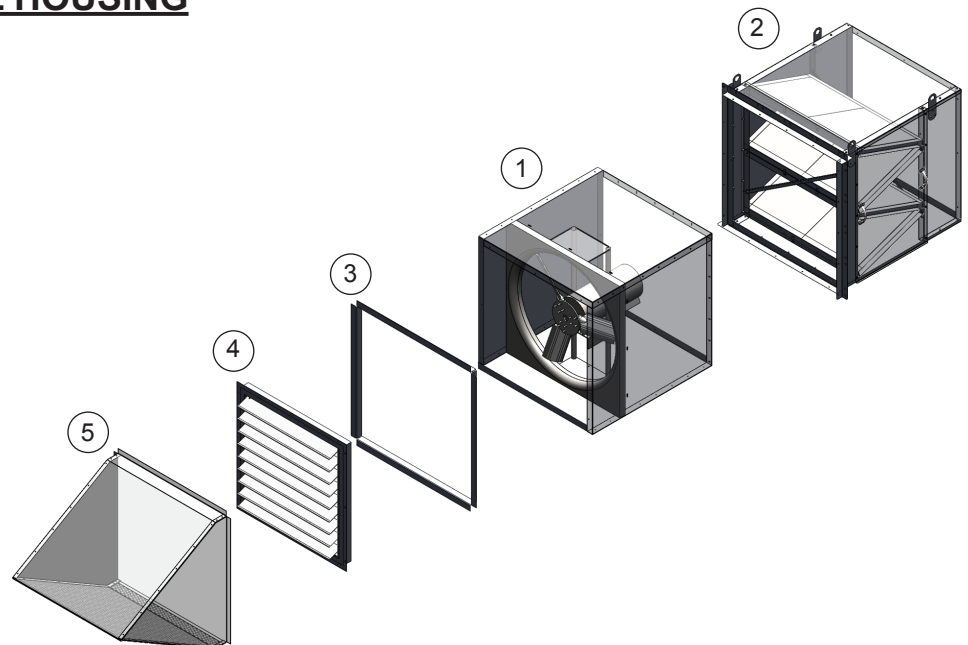
- Set of 4 - shipped loose

4. **Damper (Optional)**

- Exhaust Type
- Gravity, Motorized, or Center Pivot

5. **Rain Hood (Optional)**

- 45 Degree - Exhaust Type

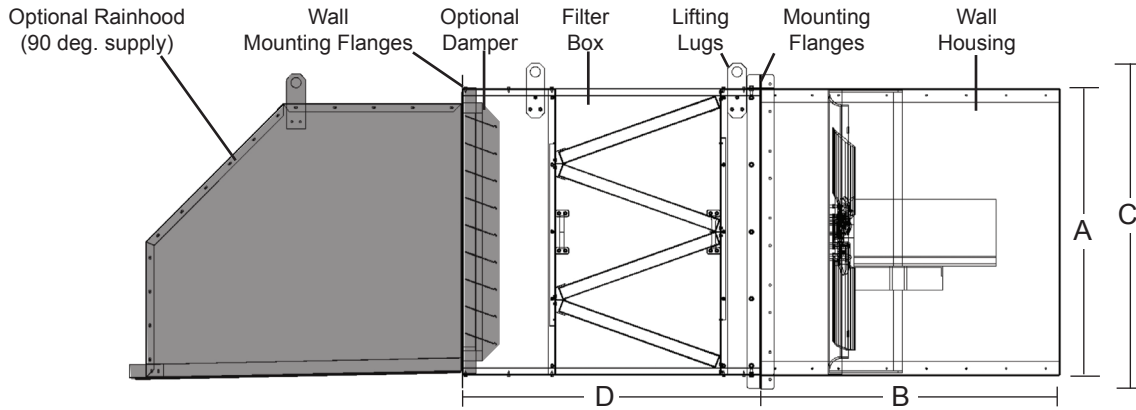




FILTERED WALL HOUSING MOUNTING OPTIONS Cont.

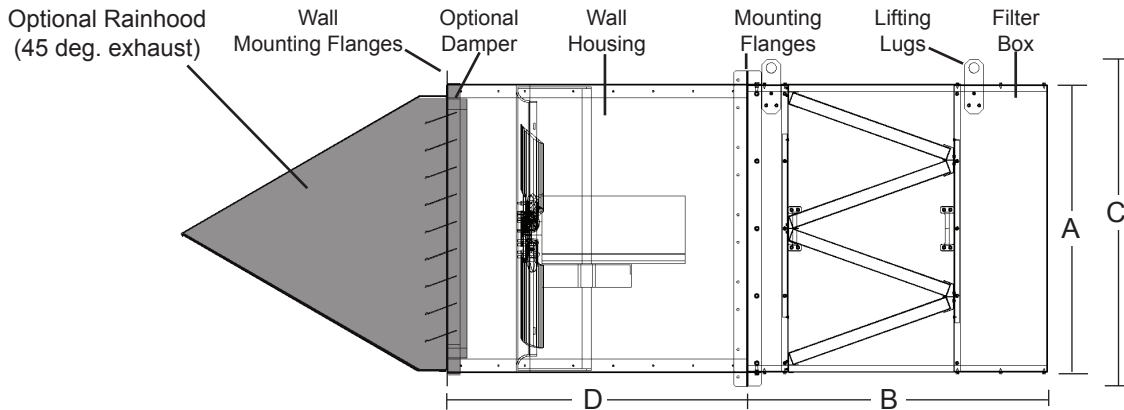
Filtered Wall Housing Dimensions

Filtered Supply



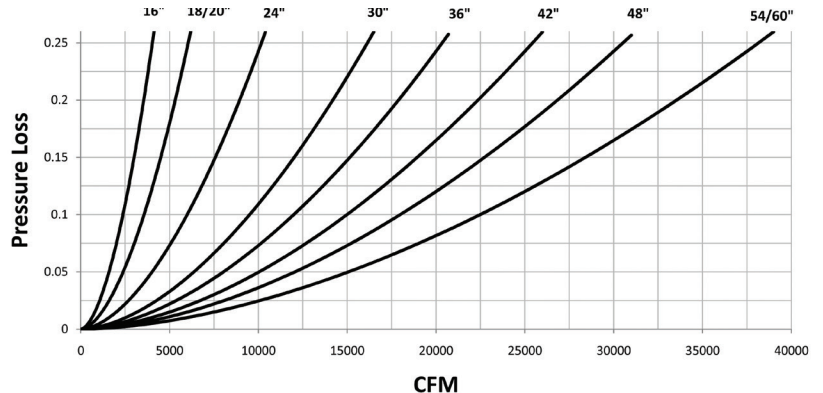
Fan Size	A (S.Q.) O.D.	Wall Housing B Length				Minimum Wall Opening Square	Filter Box			
		GED & DFE Only		DDE/DDS			C	D	# of Filters	Filter Actual Dimensions
		Exhaust	Supply	Exhaust	Supply					
14/16	21	26	26	N/A	N/A	21 1/2	21	39	2	19 5/8 x 19 5/8 x 1 7/8
18/20	25	26	26	N/A	N/A	25 1/2	25	44 1/8	3	19 5/8 x 24 5/8 x 1 7/8
24	31	44	44	44	44	31 1/2	31	41 1/8	4	19 5/8 x 24 5/8 x 1 7/8
30	37	44	44	44	44	37 1/2	37	44 1/8	8	15 5/8 x 24 5/8 x 1 7/8
36	43	N/A	N/A	44	44	43 1/2	43	44 1/8	8	19 5/8 x 24 5/8 x 1 7/8
42	49	N/A	N/A	44	44	49 1/2	49	44 1/8	10	19 5/8 x 24 5/8 x 1 7/8
48	55	N/A	N/A	44	44	55 1/2	55	40 1/2	12	19 5/8 x 24 5/8 x 1 7/8
54	61	N/A	N/A	44	44	61 1/2	61	44 1/8	15	19 5/8 x 24 5/8 x 1 7/8
60	67	N/A	N/A	44	44	67 1/2	67	44 1/8	15	19 5/8 x 24 5/8 x 1 7/8

Filtered Exhaust



PRESSURE LOSS GUIDE FOR FILTER BOX

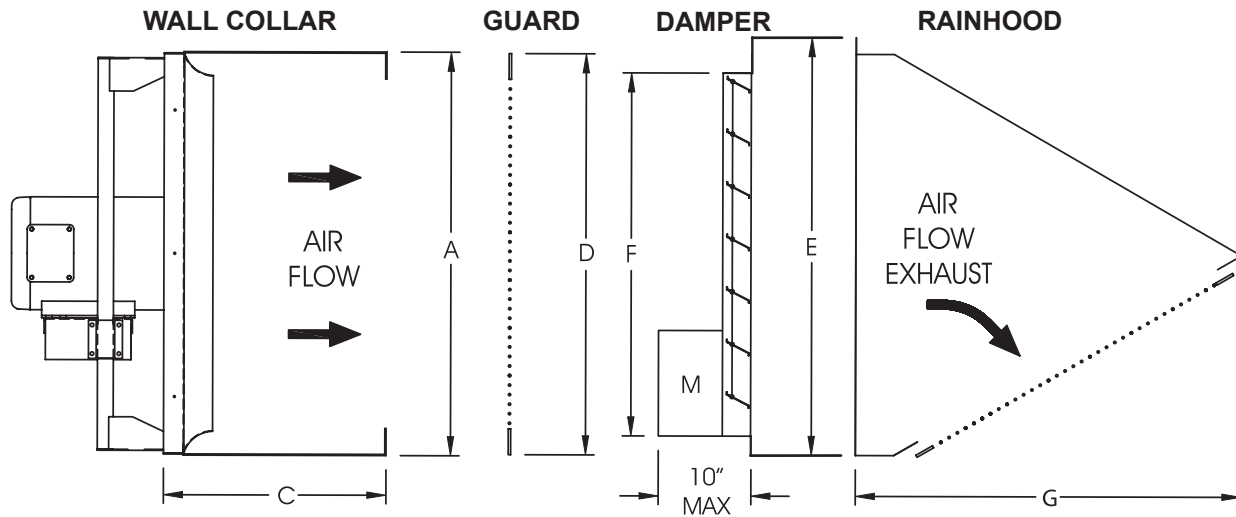
Use the estimated pressure drop graphs to help select the proper exhaust or supply fan that will deliver the desired airflow. Enter the graph from the bottom at the specified CFM and move vertically upward to the fan curve for the desired size, then horizontally to the left and read the estimated static pressure drop resulting from these typical accessory packages. Add the accessory pressure loss to the system (or building) design static pressure loss to obtain the total static pressure loss to be used for the proper fan selection.





WALL COLLAR MOUNTING OPTIONS

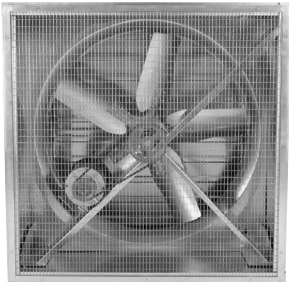


WALL COLLAR: This heavy-gauge, all G-90 galvanized (aluminum optional) mounting collar provides a simple solution to installing a fan in a rough wall opening when a rear safety guard is **NOT** required. A front wire guard or shutter and rainhood can be attached to the front flanges. The wall collar can be used in exhaust or supply applications for all fan sizes and maintain the proper clearance between the fan and damper. The wall collar is mounted with the fan on the interior side of the building. All collars ship fully assembled with the fan to lessen job site installation costs. We strongly recommend a rainhood and motorized shutter for all supply applications and for additional weather protection.



Fan Size	WALL COLLAR		MINIMUM WALL OPENING	FLAT GUARD	DAMPER		RAINHOOD Exhaust 45 Deg.
	A	C	Square	D (SQ.)	E (O.D.)	F	G
10/12	17	16	17 1/2	16	14 1/2	12	16 3/4
14/16	21	16	21 1/2	20	18 1/2	16	20 1/4
18/20	25	16	25 1/2	24	22 1/2	20	24 1/4
24	31	21	31 1/2	30	28 1/2	26	28 1/2
30	37	21	37 1/2	36	34 1/2	32	34 1/2
36	43	21	43 1/2	42	40 1/2	38	40 1/2
42	49	21	49 1/2	48	46 1/2	44	44 1/2
48	55	21	55 1/2	54	52 1/2	50	49 1/2
54	61	21	61 1/2	60	58 1/2	56	55
60	67	21	67 1/2	66	64 1/2	62	69



ACCESSORIES & OPTIONS FOR MOUNTING ARRANGEMENTS

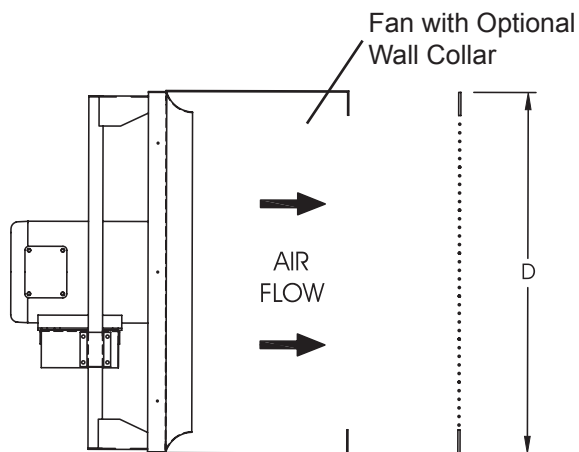
Accessory or Option	
	<p>Safety Guards Safety Guards (Standard or Heavy-Duty Flat Guards) are strongly recommended to protect personnel from accidental injury and to prevent debris from entering the fan. OSHA approved guards are required in many installations including when the fans are within 7 feet of the floor or work/access area.</p>
	<p>Rainhoods or Weatherhoods Designed to provide additional weather protection by partially shielding the wall opening and should be used for all supply applications and whenever additional weather resistance is desired. The galvanized (aluminum optional) hood attaches to the wall housing or wall collar flanges. Field flashing and caulking will reduce moisture penetration. Shown with optional birdscreen.</p>
	<p>Dampers Used alone or in conjunction with the wall housing or wall collar, a complete line of dampers are available for exhaust or supply configurations.</p>



ACCESSORIES & OPTIONS FOR MOUNTING ARRANGEMENTS Cont.

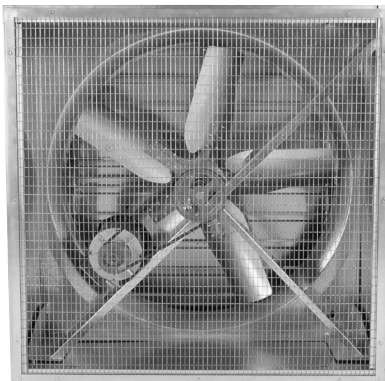
Safety Guards

Safety guards are strongly recommended to protect personnel from accidental injury and to prevent debris from entering the fan. OSHA approved guards are required in many installations including when the fans are within 7 feet of the floor or work/access area.



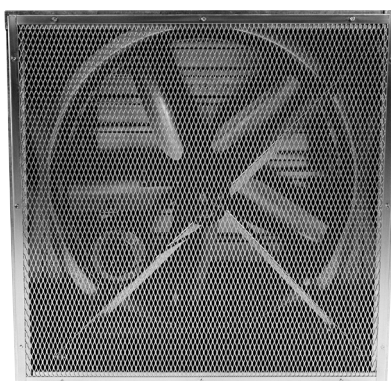
Dimensions

Fan Size	D (SQ.)
10/12	16
14/16	20
18/20	24
24	30
30	36
36	42
42	48
48	54
54	60
60	66



Standard Duty Flat Wire Guard

The removable safety guard satisfies OSHA requirements when used with the optional wall housing as a motor-side (rear) guard. The 16 ga. 1/2" X 1" welded wire mesh is mounted in a galvanized frame and attaches to the inward flanges of the wall housing.



Heavy-Duty Flat Wire Guard

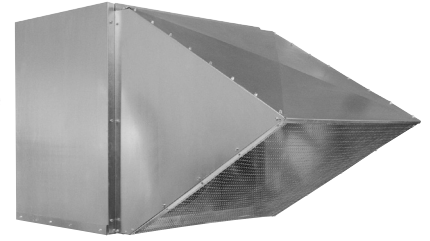
The removable safety guard satisfies OSHA requirements when used with the optional wall housing as a motor-side (rear) guard. The H.D. expanded aluminum mesh is mounted in a galvanized frame and attaches to the inward flanges of the wall housing.



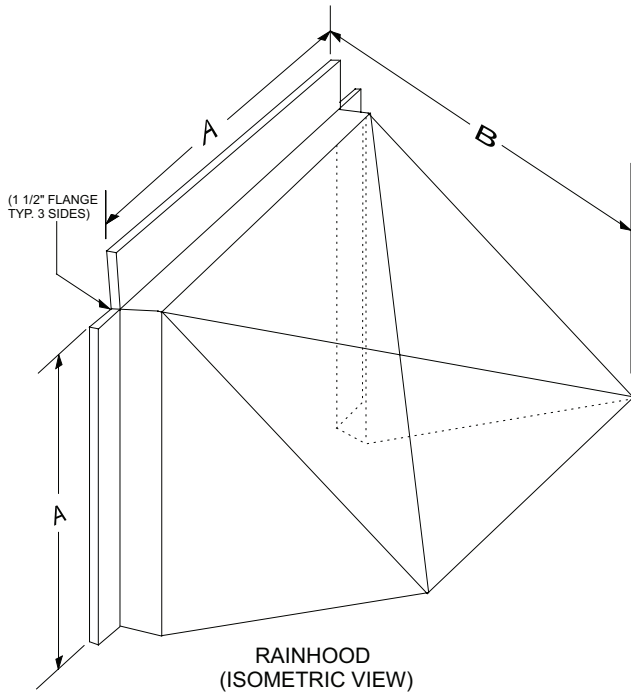
ACCESSORIES & OPTIONS FOR MOUNTING ARRANGEMENTS Cont.

Rainhoods or Weatherhoods

Designed to provide additional weather protection by partially shielding the wall opening and should be used for all supply applications and whenever additional weather resistance is desired. The galvanized (aluminum optional) hood attaches to the wall housing or wall collar flanges. Field flashing and caulking will reduce moisture penetration. Shown with optional birdscreen.

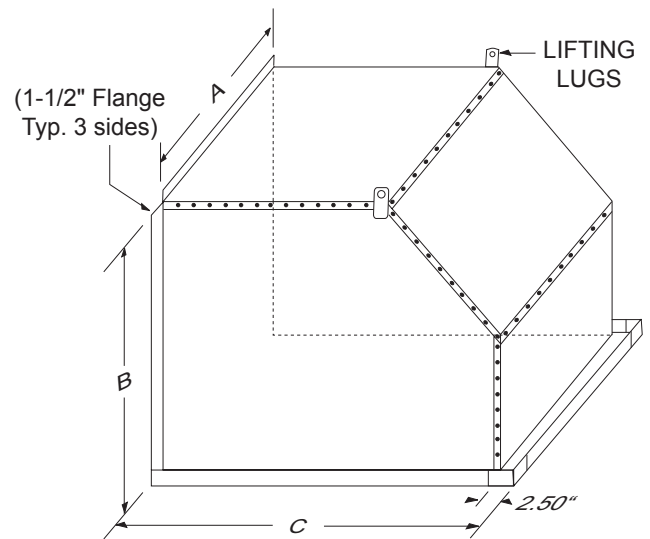


45 Degree Exhaust or Supply Sizes 10-18



Fan Size	A	B	GAUGE (2)	AVG. WT.
10/12	14	16-1/4	18	15
14/16	18	20-1/4	18	20
18/20	22	24-1/2	18	25
24	28	28-1/2	18	30
30	34	34-1/2	18	40
36	40	40-1/2	18	50
42	46	46-1/2	18	60
48	52	49-1/2	16	70
54	58	58-1/2	16	120
60	64	64-1/2	16	175

90 Degree Supply Sizes 20-60



Fan Size	A	B	C	GAUGE (2)	AVG. WT.
20	22	22	27-3/4	18	25
24	27-1/4	26-1/2	38-1/2	18	30
30	32-1/2	33-1/2	44-1/2	18	40
36	38-1/2	39-1/4	49	18	50
42	44-1/2	45-1/4	56-1/2	18	60
48	50-1/2	51-1/2	62-1/2	18	70
54	56-3/4	57	73	18	120
60	62-3/4	63	73	18	175



ACCESSORIES & OPTIONS **FOR MOUNTING ARRANGEMENTS Cont.**

Damper Types (Shutters)

Heavy-Duty Galvanized Exhaust Motorized Shutter



This damper has a flanged frame and is designed to fit the inside flanges of the optional wall housing or wall mounting collar. The frame and blades are constructed of galvanized steel and are rated to 3000 FPM with proper clearance as provided by all factory accessories. The damper body recesses into the opening for a flush appearance.

Standard Duty Aluminum Exhaust Gravity Shutter



This damper can greatly reduce the infiltration of outside air and although not completely watertight, will provide weather protection in an economical fashion. Constructed with a galvanized frame and aluminum blades this damper is rated to 2000 FPM with the proper clearance as provided by all factory accessories. The damper body is recessed into the opening for a flush appearance.

Heavy-Duty Galvanized Supply Motorized Shutter



The motorized option improves weather protection by providing a tighter closure seal and is recommended for all supply applications. Heavy-duty dampers are constructed with galvanized frames and blades and are rated to 3000 FPM. The damper body is not recessed providing extra clearance between the fan and damper blades.

Standard Duty Aluminum Supply Motorized Shutter



The motorized option improves weather protection by providing a tighter closure seal and is recommended for all supply applications. Standard duty dampers are constructed with galvanized frames and aluminum blades and are rated to 2000 FPM. The damper body is not recessed providing extra clearance between the fan and damper blades.

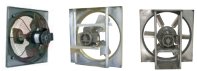
Center Pivot Motorized Damper - Supply or Exhaust



The flanged frame damper is designed to recess inside the flanges of the optional wall housing or wall mounting collar. The center pivot style damper provides superior weather resistance. Galvanized (optional aluminum) construction is rated to 3500 FPM with proper clearance as provided by all factory accessories.

Electric Damper Operators

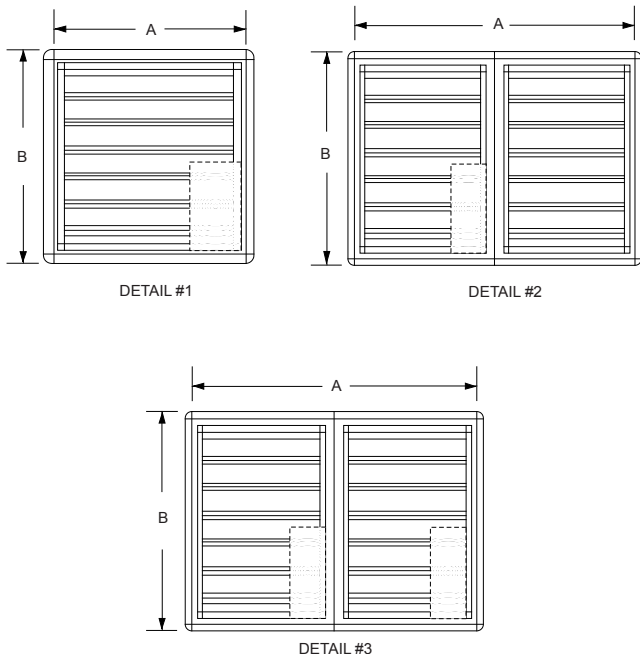
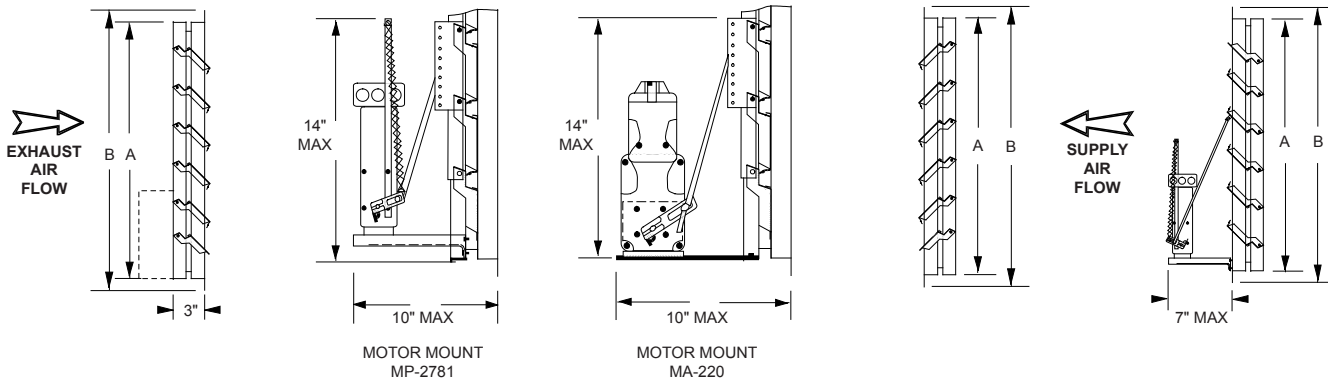
Electric damper operators provide more positive open and closed damper positions which helps increase weather resistance. Power open - spring close (POSC) motor and linkage kits are field installed (except for center pivot style) and are available in 24, 120/240, or 460 volts (single phase) and require approximately 0.5 amps at 120/1/60 power supply. Transformers are available for voltage reduction. For fan motors 5HP and larger, we recommend a factory tilt switch or "delay-on" timer in the control circuit (by others) to allow the damper to open prior to allowing fan operation, which will protect the damper blades and fan from damage when the fan is first energized.



ACCESSORIES & OPTIONS

FOR MOUNTING ARRANGEMENTS Cont.

Dimensions (Standard and Heavy-Duty Dampers)



Fan Size	A Sq. Size	B Sq. OD Flange	Panels (Detail)	Motor Type			
				Exhaust		Supply	
				Type	Qty	Type	Qty
10/12	12	14 1/2	1	MP-2781	1	MP-2781-S	1
14/16	16	18 1/2	1	MP-2781	1	MP-2781-S	1
18/20	20	22 1/2	1	MP-2781	1	MP-2781-S	1
24	26	28 1/2	1	MP-2781	1	MP-2781-S	1
30	32	34 1/2	1	MP-2781	1	MA-220-S	1
36	38	40 1/2	1	MA-220	1	MA-220-S	1
42	44	46 1/2	2	MA-220	1	MA-220-S	2
48	50	52 1/2	2	MA-220	1	MA-220-S	2
54	56	58 1/2	3	MA-220	2	MA-220-S	2
60	62	64 1/2	3	MA-220	2	MA-220-S	2

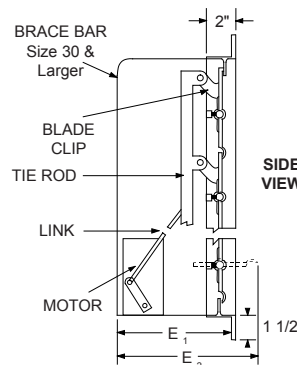
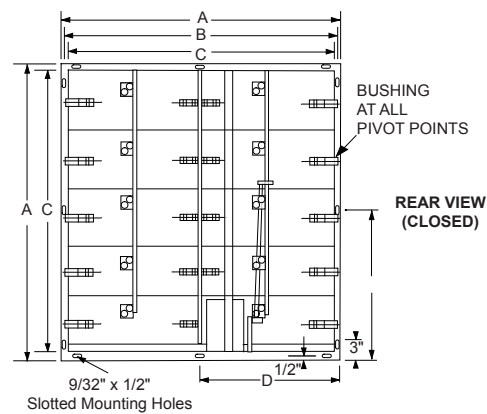
Heavy Duty Dampers required on all units with 7 1/2HP motors and above.

Dimensions (Center Pivot Motorized Damper)

Fan Size	Opening Required	A O.D.	B (1)	C "Size"	D (Center of Holes)	# of Panels	G	
							Closed (E-1)	Open (E-2)
24	27	29	24-1/2	26	-	1 x 1	7-1/4	8-1/2
30	33	35	30-1/2	32	-	1 x 1	10-1/4	13-3/4
36	39	41	36-1/2	38	19-1/2	1 x 1	10-1/4	13-3/4
42	45	47	42-1/2	44	22-1/2	1 x 1	10-1/4	13-3/4
48	51	53	48-1/2	50	25-1/2	2 x 1	10-1/4	13-3/4
54	57	59	54-1/2	56	28-1/2	2 x 1	10-1/4	12-3/4
60	63	65	60-1/2	62	31-1/2	2 x 1	10-1/4	12-3/4

Fan Size	Motor (2)		
	Power Supply	Max Amps	Stall Torque (in. lbs)
24-48	120-240V 60Hz	0.3/0.6	25
54-72	240V 60Hz	0.5	60

(1) Minimum opening to clear pins.
 (2) Motor is 60 Hz, single phase continuous duty with 104°F (40°C), maximum ambient temperature





ACCESSORIES & OPTIONS

Electrical Accessories are available to simplify the installation and reduce the total project cost.

Disconnect Switches can be shipped loose or factory mounted and wired (except explosion proof and two speed) in NEMA 1, 3R, 4X, or other enclosures. Two-speed and explosion proof disconnects are available but may be subject to more stringent code requirements. It is the responsibility of the buyer and the installer to comply with all local and national codes.

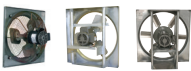
Aluminum Construction is available for most models and typically includes propeller blades, fan panel, motor and drive support (large frame motors may have steel reinforcement) and accessories. When an explosion proof motor is specified, aluminum fan construction must be used for additional spark resistance.

Extended Lube Lines provide convenient access for routine bearing lubrication. Lubrication lines are installed from the fan shaft bearings to the exterior of the wall housing or sheet metal motorside guard and are provided with zerk fittings.

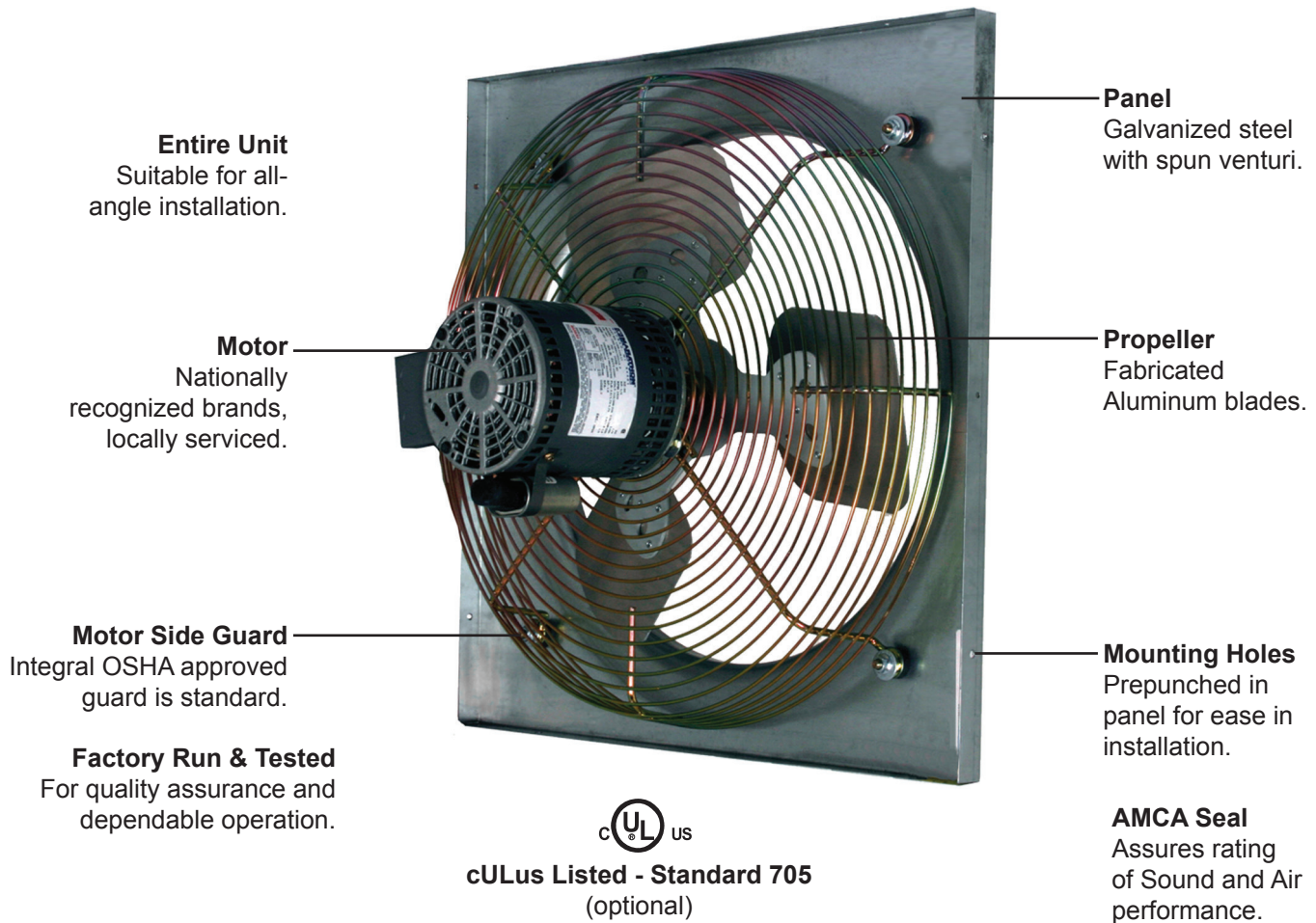
Paints and Coatings for protective and decorative purposes. Available coatings include: Epoxy, Synthetic Resin, and Heresite (air-dried phenolic). Contact your Soler & Palau representative or the factory for more information on available coatings and colors.

Mounting Angles facilitate the installation and a secure attachment of the wall housing or wall collar into the framed wall opening. Galvanized or aluminum angles are available and are pre-cut to the proper length. Additional bracing, mounting hardware, flashing and caulking are typically provided by the installer.

Factory Wiring can simplify jobsite installation and reduce the overall project cost. Optional services include wiring of motor, disconnect switch, damper actuator, and other custom controls. Please note that some wiring options may not be available for explosion proof, two speed and special motors.



MODEL GED & GSD CONSTRUCTION FEATURES



Industry best 5 year fan housing warranty, 1 year motor warranty

Construction/Specification Checklist

Panel Assembly

- Galvanized steel, 16 or 18 gauge, G-90.
- One piece spun venturi for maximum efficiency.
- Prepunched mounting holes for easy installation.
- Formed flanges for added rigidity.
- Integral OSHA approved motorside guard.

Propeller

- Fabricated aluminum blades, precision pitch.
- Mounted directly on motor shaft for maximum efficiency.
- Separate exhaust and supply designs.
- Statically and dynamically balanced.

Motors

- Nationally recognized brands, locally serviced.
- Sealed ball bearings on larger fractionals.
- Sleeve bearings on smaller fractionals.
- Open drip-proof motor enclosures.

Entire Fan Unit

- Suitable for all-angle installation.
- Completely assembled and factory tested prior to shipment.

Certifications

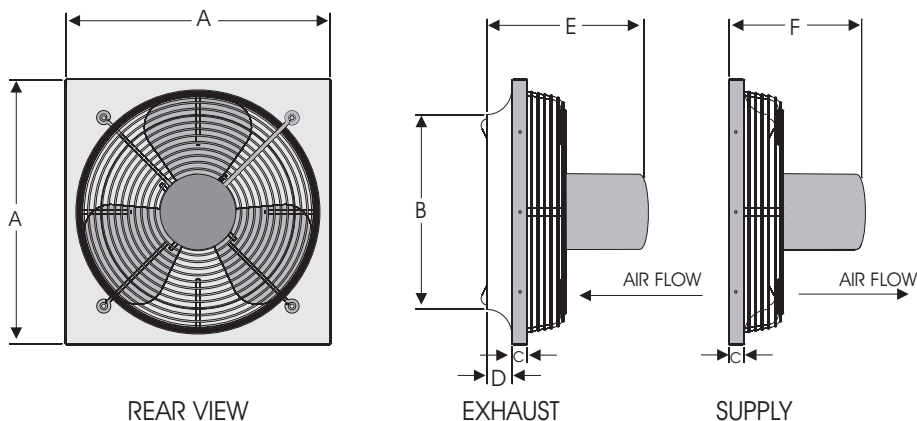
- AMCA Air and Sound Licensed.
- cULus 705 Listed Power Roof Ventilator label assures electrical reliability.
- UL label must be specified when needed.

All specifications are subject to change without notice unless approved in submittal by JencoFan.



PERFORMANCE/DIMENSIONS

Model GED (Exhaust) & GSD (Supply)



GED/GSD Size	Dimensions (in.)						Avg. Ship Wt. (lbs.)
	A	B	C	D	E*	F*	
10	16	10-1/2	1	2	11	9	30
12	16	12-1/2	1	2	14	12	30
14	20	14-1/2	1	2	14	12	34
16	20	16-1/2	1	2	14	12	37
18	24	18-1/2	1	2	15	13	45
20	24	20-1/2	1	2	15	13	50

- A. Outside dimension of square panel.
 - B. Diameter of venturi.
 - C. Width of flange, 1" for all models.
 - D. Depth of venturi, 2" for all models.
 - E. Depth of fan (exhaust).
 - F. Depth of fan (supply).
- * Varies with motor selection.

Model GED/GSD	Motor		Sones @ 0" SP	CFM / BHP @ Static Pressure (Inches W.G.)							
	HP	RPM		0	1/10	1/8	1/4	3/8	1/2	5/8	3/4
10	1/10	1550	6.5	847/0.1	708/0.1	673/0.1	480/0.1	-	-	-	-
	1/10	1550	9.8	1448/0.1	1331/0.1	1300/0.1	883/0.1	-	-	-	-
12	1/4	1625	10.5	1605/0.17	1521/0.17	1490/0.17	1357/0.19	918/0.19	591/0.22	-	-
	1/4	1625	9.4	2150/0.25	2045/0.26	2000/0.26	1825/0.26	1500/0.26	1125/0.26	850/0.26	-
14	1/2	1625	12.4	2675/0.53	2518/0.53	2460/0.53	2180/0.53	1760/0.53	1550/0.53	1275/0.53	-
	1/4	1075	9.7	2570/0.26	2350/0.26	2275/0.26	1508/0.26	515/0.26	-	-	-
16	1/3	1625	13.1	2805/0.34	2675/0.34	2625/0.34	2470/0.34	2215/0.34	1615/0.34	1150/0.34	765/0.34
	1/4	1075	9.1	3060/0.25	2790/0.26	2725/0.25	2140/0.25	1060/0.25	-	-	-
18	1/4	1625	16.3	3050/0.25	2875/0.26	2815/0.26	2600/0.26	2310/0.26	1765/0.26	1115/0.26	715/0.26
	1/2	1625	16.5	3975/0.53	3815/0.53	3760/0.53	3560/0.53	3235/0.53	2920/0.53	1870/0.53	1450/0.53
20	1/4	1075	10.7	3510/0.26	3200/0.26	3150/0.26	2615/0.26	1300/0.26	545/0.26	-	-
	1/2	1625	16.1	3625/0.53	3425/0.53	3375/0.53	3125/0.53	2750/0.53	2275/0.53	1800/0.53	1425/0.53

Speed (RPM) shown is nominal. Performance is based on actual speed of test.
 Performance certified is for installation type A-free inlet, free outlet. Performance ratings do not include the effects of appurtenances (accessories).
 The sound ratings shown are loudness values in fan sones @ 5' (1.5m) in a hemispherical free field calculated per AMCA Standard 301. Installation Type A: free inlet hemispherical sone levels.

Motors designed for use with optional solid state speed controller.

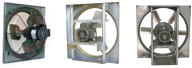
cULus available on most models (optional).

Supply performance is obtained by reversing the direction of the venturi.



JencoFan, Div. of Soler & Palau Ventilation Group, certifies that the models GED & GSD are licensed to bear the AMCA Seal. The ratings shown are based on test and procedures performed in accordance with AMCA Publication 211 and AMCA Publication 311 and comply with the requirement of the AMCA Certified Ratings Program.





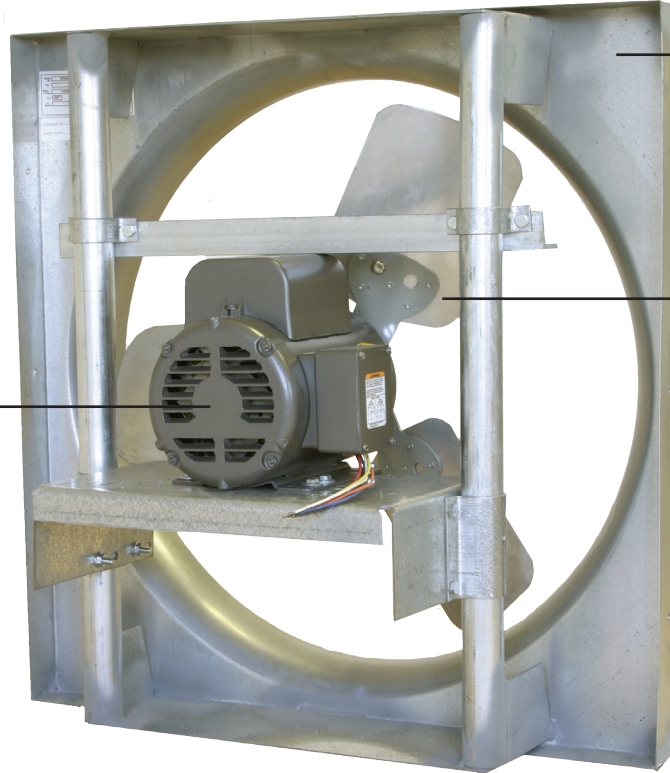
MODEL DFE & DFS CONSTRUCTION FEATURES

Model DFE & DFS

Entire Unit
Suitable for
all-angle installation.

Motor
Nationally recognized
brands, locally serviced.

Factory Run & Tested
For quality assurance and
dependable operation.



Panel
Galvanized steel
with spun venturi.

Propeller
Fabricated
Aluminum blades.

Mounting Holes
Prepunched in panel for
ease in installation.

Industry best 5 year fan housing warranty, 1 year motor warranty

Construction/Specification Checklist

Panel Assembly

- Galvanized steel, 16 or 18 gauge, G-90.
- Precision spun orifice for maximum performance.
- Prepunched mounting holes.
- Welded schedule 40 galvanized steel pipe support structure.

Propeller

- Precision pitched fabricated aluminum blades.
- Mounted directly on shaft for maximum efficiency.
- Cast aluminum and nonmetallic blade options on select sizes.
- Statically and dynamically balanced.

Motors

- Nationally recognized brands, locally serviced.
- Permanently lubricated sealed ball bearing type.
- Open drip-proof, totally enclosed and explosion proof options.
- Available 2 speed units in select models.

Entire Fan Unit

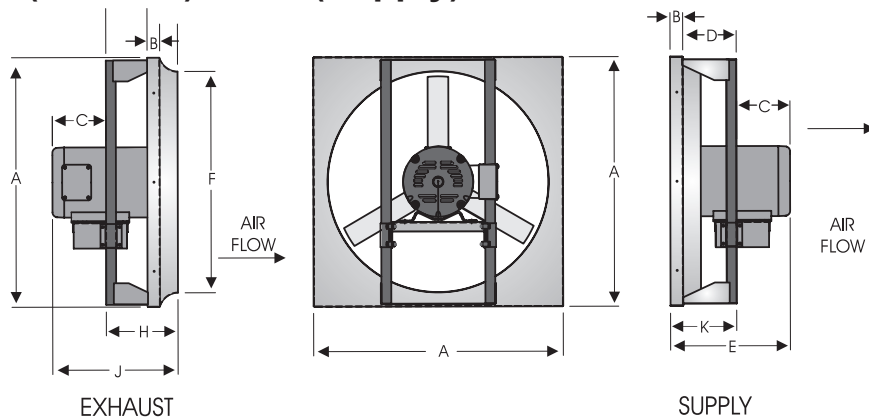
- Suitable for all-angle installation.
- Completely assembled and factory tested prior to shipment.

All specifications are subject to change without notice unless approved in submittal by JencoFan.



PERFORMANCE/DIMENSIONS

Model DFE (Exhaust) / DFS (Supply)



DFE/DFS Size	Dimensions (in.)											Avg. Ship Wt. (lbs.)
	A	B	C*	D	E*	F	G	H	I	J*	K	
10	16	1	6	6	11	10-1/2	2	8	5	14	7	30
12	16	1	6	6	11	12-1/2	2	8	5	14	7	30
16	20	1	6	6	12	16-1/2	2	8	5	14	7	37
18	24	1	6	6	12	18-1/2	2	8	5	14	7	45
20	24	1	7	6	12	20-1/2	2	8	5	15	7	50
24	30	2	10	9	21	25	3	10	4	20	11	70
30	36	2	10	9	21	31	3	10	4	20	11	100

- A. Outside dimension of square panel.
 - B. Width of flange.
 - C. Depth of motor beyond support structure.*
 - D. Depth of support structure - supply.
 - E. Depth of fan - supply.*
 - F. Diameter of venturi.
 - G. Depth of venturi.
 - H. Depth of panel and support structure - exhaust.
 - I. Depth of support structure - exhaust.
 - J. Depth of fan - exhaust.*
 - K. Depth of panel and support structure - supply.
- * Varies with motor selection

Model DFE/DFS	HP	RPM	Sones @ 0" SP	CFM / BHP @ Static Pressure (Inches W.G.)									
				0	1/10	1/8	1/4	3/8	1/2	5/8	3/4	1	
10	1/4	1750	8.4	6177/.04	532/.04	503/.04	3077/.06	181/.06	377/.07	-	-	-	
	2S	1160	5.5	409/.01	221/.02	178/.02	-	-	-	-	-		
12	1/4	1750	16.7	1306/.09	1199/.12	1169/.12	992/.12	734/.12	576/.14	488/.14	412/.13	275/.14	
	2S	1160	12.8	866/.03	682/.04	613/.04	347/.04	235/.04	132/.05	-	-	-	
16	1/3	1750	18.8	2439/.26	2309/.27	2274/.27	2208/.18	1872/.34	1633/.36	1350/.38	1152/.42	876/.43	
	2S	1160	11.7	1617/.08	1404/.09	1342/.09	974/.10	683/.12	491/.14	307/.15	132/.16	-	
18	3/4	1750	20	4174/.52	4021/.59	3982/.60	3781/.64	3564/.65	3321/.72	3029/.72	2468/.76	1977/.83	
	2S	1160	10.9	2767/.15	2531/.19	2468/.19	2102/.21	1504/.22	1085/.27	626/.28	264/.30	-	
20	1/3	1750	19.4	3649/.31	3455/.34	3409/.34	3177/.41	2635/.44	2634/.44	2635/.44	2344/.49	-	
	2S	1160	10.1	2418/.09	2134/.12	2063/.12	1639/.14	1153/.16	787/.17	509/.19	-	-	
20	1	1725	24	6008/.94	5788/1.01	5731/1.02	5431/1.06	5101/1.06	4734/1.13	4315/1.13	3835/1.17	2512/1.26	
	1 1/2	1725	40	6605/1.44	6383/1.44	6339/1.44	6061/1.44	5711/1.45	5279/1.36	4738/1.36	3885/1.26	2756/1.30	
	1/2	1750	14.7	4131/.31	3961/.37	3920/.38	3705/.45	3387/.50	3063/.59	2669/.68	2314/.68	-	
	2S	1160	7.7	2738/.09	2488/.13	2403/.13	1898/.17	1400/.21	-	-	-	-	
24	1/2	1750	18.4	5137/.37	4938/.43	4885/.45	4596/.53	4268/.63	3917/.67	3514/.76	2959/.92	2172/1.06	
	2S	1160	9.6	3405/.11	3083/.15	2989/.16	2459/.21	1700/.27	1196/.32	-	-	-	
	1	1725	32	6655/.76	6416/.87	6354/.87	6033/.95	5681/.96	5278/.99	4775/.99	4118/1.02	2407/1.14	
	3/4	1140	37	6684/.62	6252/.70	6140/.71	5525/.72	4686/.74	3221/.79	2031/.85	1287/.91	98/1.07	
30	1	1160	17.4	7464/.92	7015/.97	6898/.99	6267/1.01	5473/1.02	4052/1.08	2676/1.15	1820/1.19	-	
	1 1/2	1725	32	8897/1.48	8644/1.60	8579/1.62	8239/1.71	7870/1.74	7467/1.74	7020/1.80	6510/1.80	4703/1.80	
	1/2	1140	20	8427/.59	7520/.63	7288/.63	5939/.63	4108/.61	1455/.55	-	-	-	
	1	1140	27	10635/1.15	9468/1.12	9328/1.12	8205/1.12	6718/1.13	4175/1.10	1397/1.20	-	-	
30	1 1/2	1725	44	11570/1.68	11083/1.68	10956/1.68	10200/1.75	9323/1.74	8504/1.81	7625/1.74	6594/1.72	3905/1.67	
	2	1725	48	12415/1.89	11878/1.99	11723/2.01	10879/2.01	10141/2.01	9172/2.01	8172/2.01	7185/1.89	4705/1.84	

Performance shown is for wall ventilators for installation type A: Free inlet, Free outlet. The power rating (BHP) does not include drive losses. Performance ratings do not include the effects of appurtenances in the airstream.

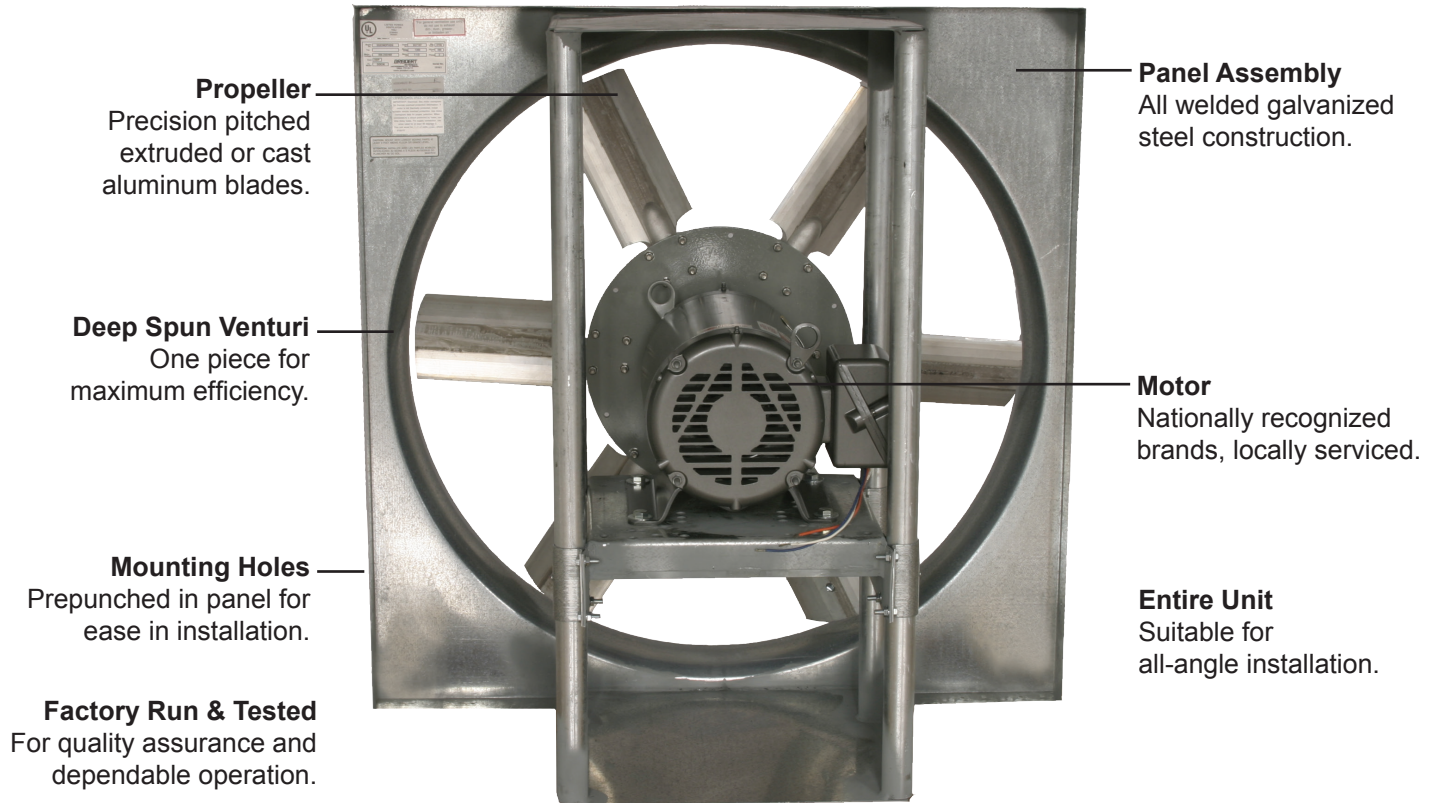
Sound ratings shown are loudness values in fan sones at 5 feet (1.5m) in a hemispherical free field calculated per AMCA Standard 301. Values are for installation type A: Free inlet fan sone levels. For additional sound data and for selections at other static pressures, please refer to the Optimizer Selection Program.

Available motor RPM's may vary from table.

Supply performance is obtained by reversing the direction of the venturi.



MODEL DDE & DDS CONSTRUCTION FEATURES



Industry best 5 year fan housing warranty, 1 year motor warranty

Construction/Specification Checklist

Panel Assembly

- Galvanized steel, 14 gauge, G-90, sizes 54-60.
- Galvanized steel, 16 gauge, G-90, sizes 24-48.
- Precision spun orifice for smooth performance.
- Prepunched mounting holes for convenient installation.
- Welded schedule 40 galvanized steel pipe support structure.

Propeller

- Aluminum airfoil blades, extruded or cast.
- Mounted directly on motor shaft for maximum efficiency.
- Steel hub plate with taper lock bushing as standard.
- Statically balanced.

Motors

- Nationally recognized brands, locally serviced.
- Sealed ball bearings on larger fractionals.
- 1/3 hp motor is the smallest available for the DDE/DDS.
- Open drip-proof, totally enclosed and explosion proof options.
- Available 2 speed units in select formats.

Entire Fan Unit

- Suitable for all-angle installation.
- Completely assembled and factory tested prior to shipment.

All specifications are subject to change without notice unless approved in submittal by JencoFan.



PERFORMANCE

Model DDE (Exhaust) / DDS (Supply)

Model DDE/DDS	MOTOR		Sones @ 0" SP	CFM / BHP @ Static Pressure (INCHES W.G.)									
	HP	RPM		0	1/10	1/8	1/4	3/8	1/2	5/8	3/4	1	
24	1/3	1160	17.8	5600/0.37	4960/0.37	4800/0.37	3600/0.37	-	-	-	-	-	-
	1/2	1160	22	6600/0.60	6200/0.60	6100/0.60	5400/0.60	4300/0.60	-	-	-	-	-
	3/4	1160	20	7800/0.82	7240/0.82	7100/0.82	6300/0.82	5400/0.82	-	-	-	-	-
	1	1160	21	8700/1.09	8140/1.09	8000/1.09	7300/1.09	6300/1.09	4900/1.09	-	-	-	-
	1/2	1750	27	5900/0.55	5420/0.55	5300/0.55	4700/0.55	3900/0.55	3000/0.55	-	-	-	-
	3/4	1750	28	7000/0.81	6600/0.81	6500/0.81	5900/0.81	5300/0.81	4400/0.81	3500/0.81	-	-	-
	1	1750	32	8000/1.15	7600/1.15	7500/1.15	7000/1.15	6300/1.15	5500/1.15	4700/1.15	3700/1.15	-	-
	1 1/2	1750	35	9000/1.66	8760/1.66	8700/1.66	8300/1.66	7900/1.66	7400/1.66	6900/1.66	6200/1.66	-	-
	2	1750	35	10500/2.25	10180/2.25	10100/2.25	9600/2.25	9100/2.25	8600/2.25	8100/2.25	7400/2.25	5900/2.25	-
3	1750	37	12500/3.30	12100/3.30	12000/3.30	11500/3.30	11100/3.30	10500/3.30	10000/3.30	9300/3.30	7900/3.30	-	
30	1	870	19.9	11700/1.12	10700/1.12	10450/1.12	8900/1.12	6300/1.12	-	-	-	-	-
	1 1/2	870	24	14300/1.65	13300/1.65	13050/1.65	11400/1.65	8850/1.65	5550/1.65	-	-	-	-
	3/4	1160	25	9900/0.84	9020/0.84	8800/0.84	7500/0.84	5700/0.84	-	-	-	-	-
	1	1160	28	10600/1.16	10340/1.16	10054/1.16	9900/1.16	9478/1.16	9000/1.16	7900/1.16	6500/1.16	-	-
	1 1/2	1160	28	12800/1.67	12080/1.67	11900/1.67	10900/1.67	9800/1.67	8400/1.67	6700/1.67	-	-	-
	2	1160	29	14400/2.28	13680/2.28	13500/2.28	12400/2.28	11300/2.28	9800/2.28	7800/2.28	6000/2.28	-	-
	3	1160	36	17300/3.37	16660/3.37	16500/3.37	15600/3.37	14700/3.37	13000/3.37	11200/3.37	8600/3.37	-	-
	2	1750	44	13800/2.27	13160/2.27	13000/2.27	12200/2.27	11300/2.27	10400/2.27	-	-	-	-
	3	1750	55	14200/3.38	13800/3.38	13700/3.38	13200/3.38	12700/3.38	12100/3.38	11500/3.38	10700/3.38	9300/3.38	-
36	1	870	25	13000/1.14	12040/1.14	11800/1.14	10200/1.14	8200/1.14	6000/1.14	-	-	-	-
	1 1/2	870	26	16300/1.70	15180/1.70	14900/1.70	13200/1.70	11000/1.70	7900/1.70	-	-	-	-
	2	870	27	18500/2.23	17140/2.23	16800/2.23	15000/2.23	12900/2.23	9600/2.23	-	-	-	-
	3	870	32	21100/3.36	20060/3.36	19800/3.36	18100/3.36	15800/3.36	12800/3.36	9600/3.36	8100/3.36	-	-
	3/4	1160	30	11500/0.85	10220/0.85	9900/0.85	8100/0.85	6200/0.85	-	-	-	-	-
	1	1160	31	13500/1.18	12460/1.18	12200/1.18	10700/1.18	8800/1.18	6500/1.18	-	-	-	-
	1 1/2	1160	33	15900/1.73	14780/1.73	14500/1.73	13000/1.73	11300/1.73	9200/1.73	-	-	-	-
	2	1160	39	15700/2.25	14980/2.25	14800/2.25	13800/2.25	12800/2.25	11600/2.25	10200/2.25	8500/2.25	-	-
	3	1160	40	20700/3.39	19900/3.39	19700/3.39	18600/3.39	17300/3.39	15900/3.39	14300/3.39	12300/3.39	-	-
42	5	1160	42	25100/5.49	24200/5.49	24000/5.49	22900/5.49	21700/5.49	20300/5.49	18700/5.49	16700/5.49	-	-
	7 1/2	1160	53	30500/8.15	29540/8.15	29300/8.15	28100/8.15	26700/8.15	25200/8.15	23400/8.15	21400/8.15	15500/8.15	-
	3	1750	58	18000/3.28	17200/3.28	17000/3.28	16000/3.28	15000/3.28	13900/3.28	12800/3.28	11600/3.28	9100/3.28	-
	5	1750	81	18600/5.42	18280/5.42	18200/5.42	17800/5.42	17300/5.42	16800/5.42	16200/5.42	15700/5.42	14500/5.42	-
	7 1/2	1750	75	27000/8.25	26360/8.25	26200/8.25	25400/8.25	24600/8.25	23600/8.25	22500/8.25	21500/8.25	19200/8.25	-
	1 1/2	870	36	17500/1.72	16140/1.72	15800/1.72	14100/1.72	12000/1.72	9500/1.72	7500/1.72	-	-	-
	2	870	36	19800/2.22	18520/2.22	18200/2.22	16200/2.22	14000/2.22	11000/2.22	8800/2.22	7200/2.22	-	-
	3	870	36	24500/3.26	22980/3.26	22600/3.26	20600/3.26	18000/3.26	14800/3.26	11200/3.26	9200/3.26	-	-
	5	870	40	31300/5.53	29780/5.53	29400/5.53	27300/5.53	24800/5.53	21800/5.53	17000/5.53	13200/5.53	-	-
48	3	1160	60	20500/3.30	19700/3.30	19500/3.30	18500/3.30	17300/3.30	15900/3.30	14400/3.30	13000/3.30	9700/3.30	-
	5	1160	61	28000/5.45	27200/5.45	27000/5.45	25800/5.45	24500/5.45	22800/5.45	20900/5.45	18900/5.45	13700/5.45	-
	7 1/2	1160	62	34500/8.26	33540/8.26	33300/8.26	32000/8.26	30600/8.26	28800/8.26	26800/8.26	24700/8.26	19400/8.26	-
	5	1750	89	26000/5.41	24960/5.41	24700/5.41	23500/5.41	22100/5.41	20700/5.41	19300/5.41	17900/5.41	-	-
	7 1/2	1750	94	32500/8.25	31700/8.25	31500/8.25	30300/8.25	29140/8.25	27800/8.25	26500/8.25	25200/8.25	-	-
	1 1/2	870	36	22800/1.68	20560/1.68	20000/1.68	16600/1.68	12100/1.68	-	-	-	-	-
	2	870	38	25900/2.25	23740/2.25	23200/2.25	19800/2.25	15800/2.25	-	-	-	-	-
	3	870	48	27000/3.37	25640/3.37	25300/3.37	23400/3.37	21100/3.37	18400/3.37	15200/3.37	-	-	-
	5	870	48	36000/5.57	34320/5.57	33900/5.57	31600/5.57	29000/5.57	25800/5.57	21900/5.57	17800/5.57	-	-
54	7 1/2	870	51	42100/8.14	40420/8.14	40000/8.14	37600/8.14	34900/8.14	31800/8.14	28000/8.14	22500/8.14	-	-
	10	870	63	46600/11.03	44920/11.03	44500/11.03	42200/11.03	39500/11.03	36100/11.03	32300/11.03	27500/11.03	20500/11.03	-
	3	1160	59	27000/3.29	25320/3.29	24900/3.29	22600/3.29	19800/3.29	17000/3.29	13800/3.29	11100/3.29	-	-
	5	1160	64	34700/5.54	33180/5.54	32800/5.54	30700/5.54	28400/5.54	26000/5.54	22900/5.54	19300/5.54	-	-
	7 1/2	1160	76	40500/8.12	38900/8.12	38500/8.12	36500/8.12	34000/8.12	31500/8.12	28700/8.12	25500/8.12	-	-
	10	1160	81	43400/10.81	42280/10.81	42000/10.81	40500/10.81	39000/10.81	37200/10.81	35200/10.81	33000/10.81	28000/10.81	-
	5	1750	75	37300/5.41	35220/5.41	34700/5.41	32000/5.41	29200/5.41	26100/5.41	23000/5.41	19600/5.41	-	-
	7 1/2	1750	79	46000/8.21	44320/8.21	43900/8.21	41700/8.21	39200/8.21	36400/8.21	33000/8.21	29500/8.21	-	-
	10	1750	86	51600/11.00	49920/11.00	49500/11.00	47300/11.00	44800/11.00	42200/11.00	39300/11.00	36200/11.00	-	-
60	7 1/2	870	77	49000/8.25	47000/8.25	46500/8.25	43900/8.25	41100/8.25	37700/8.25	34200/8.25	30500/8.25	22700/8.25	-
	10	870	77	55800/10.33	53800/10.33	53300/10.33	50500/10.33	47300/10.33	43600/10.33	39800/10.33	35700/10.33	27000/10.33	-

Performance shown is for wall ventilators for installation type A: Free inlet, Free outlet. The power rating (BHP) does not include drive losses. Performance ratings do not include the effects of appurtenances in the airstream.

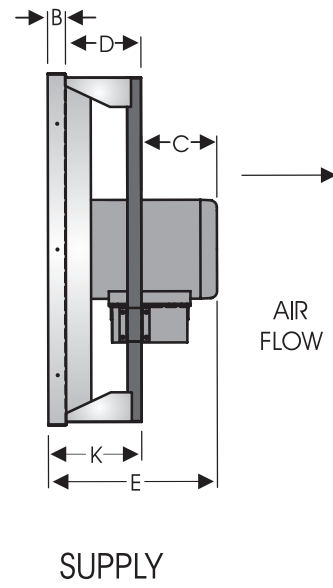
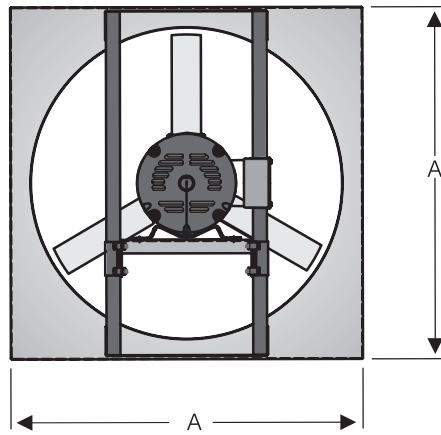
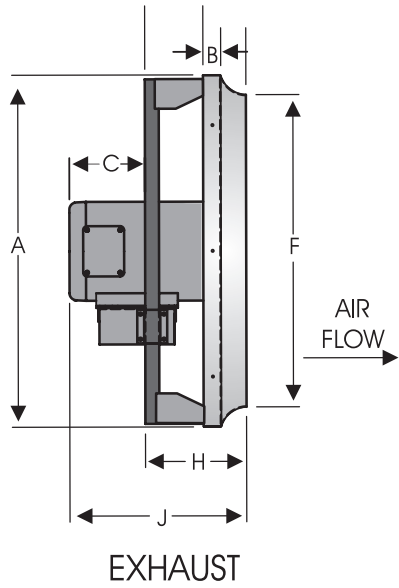
Sound ratings shown are loudness values in fan sones at 5 feet (1.5m) in a hemispherical free field calculated per AMCA Standard 301. Values are for installation type A: Free inlet fan sone levels.

For additional sound data and for selections at other static pressures, please refer to the Optimizer Selection Program. Available motor RPM's may vary from table. Supply performance is obtained by reversing the direction of the venturi.



DIMENSIONS

Model DDE & DDS



DDE/ DDS Size	Dimensions (in.)										
	A	B	C*	D	E*	F	G	H	I	J	K
24	30	2	11	9	21	25	3	9	4	20	11
30	36	2	11	9	21	31	3	9	4	20	11
36	42	2	11	9	21	37	3	9	4	20	11
42	48	2	11	9	21	43	3	9	4	20	11
48	54	2	12	10	23	49-1/4	4	10	4	22	12
54	60	2	13	11	25	55-1/4	5	11	4	24	13
60	66	2	13	11	25	61-1/4	5	11	4	24	13

- A. Outside dimension of square panel.
 - B. Width of flange.
 - C. Depth of motor beyond support structure.*
 - D. Depth of support structure - supply.
 - E. Depth of fan - supply. *
 - F. Diameter of venturi.
 - G. Depth of venturi.
 - H. Depth of panel and support structure - exhaust.
 - I. Depth of support structure - exhaust.
 - J. Depth of fan - exhaust.*
 - K. Depth of panel and support structure - supply.
- * Varies with motor selection**

MODEL WA

COMPACT WALL AXIAL FAN



MODEL FEATURES

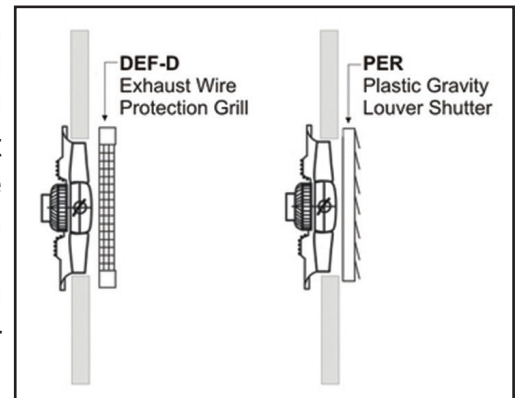
- Exhaust air up to 4,520 CFM with static pressure capabilities to 1/2" w.g.
- Constructed from die cast aluminum and finished in a black polyester paint coating
- All models include asynchronous induction capacitor run and start motors
- Low profile design
- Class F motor insulation

MODEL OVERVIEW

The JencoFan COMPACT WALL as the name suggests, an extremely compact design created by the combination of an external rotor motor matched with a direct drive wrap around an impeller hub. This very low profile design optimizes airflow performance while minimizing noise generation.

The JencoFan COMPACT WALL AXIAL FANS are designed to be installed directly into side walls, ceilings and panels in order to exhaust or supply air to the surrounding environments.

All COMPACT WALL AXIAL FANS include a one piece bell mouth inlet and mounting plate manufactured from high grade galvanized steel. The motor and fan impeller assembly are firmly supported within this mounting plate by a strong steel support frame that includes an integrated finger guard on the inlet side. All units are supplied with motors prewired to a wiring junction box located on the back of the motor hub for easy wiring access. This terminal box protects all wiring connections against the ingress of dust and moisture. The entire assembly is protected by a two stage primer and a tough corrosion and UV resistant polyester paint finish.



Model WA is available in our Quickship program. All sizes are available for next day shipping from stock.



5 year fan housing and motor warranty



CONSTRUCTION/SPECIFICATION CHECKLIST

Motor

- All models include asynchronous induction capacitor run and start motors.
- Constructed from die cast aluminum and finished in a black polyester paint coating.
- 100% Speed controllable.
- Totally enclosed IP/65 protection.
- Class F insulation.
- Suitable working temperatures -40°C (-40°F) up to 60°C (140°F).
- All models include a Safety Auto Reset Thermal Overload Protection.

Terminal Box

- Manufactured from high impact grade aluminum.
- IP65 protected.

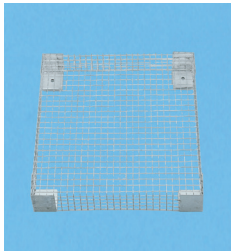
Wheel / Impeller

- Manufactured from glass filled UV resistant polyamide.
- Special Order: Die cast aluminum. Please inquire.
- Corrosion and weather resistant.

ACCESSORIES



SC 15
Variable speed
control



DEF-D
Wire
protection
guard



PER
Plastic gravity
louver shutter



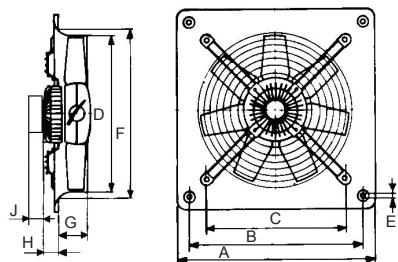
PER-CN
Aluminum
louver back
draft shutter

Please refer to the JencoFan Group A (Residential/Light Commercial) catalog for a complete line of accessories.



PERFORMANCE/DIMENSIONS

Dimensions in inches/mm



Model	A	B	C	D	E	F	G	H	J	Weight lbs(kgs)
WA 12	15 ^{3/4} 400	12 ^{15/16} 330	11 280	12 ^{7/16} 315	3/8 10	12 ^{15/16} 329	2 ^{7/8} 73	1 ^{1/4} 32	2 ^{1/2} 64	15 7
WA 16	19 ^{11/16} 500	16 ^{5/8} 420	13 ^{15/16} 355	15 ^{3/4} 400	3/8 10	16 ^{5/8} 422	3 ^{1/16} 78	1 ^{5/8} 41	2 ^{1/2} 64	20 9
WA 18	22 ^{1/16} 560	18 ^{3/4} 480	15 ^{3/4} 400	17 ^{3/4} 450	3/8 10	18 ^{3/4} 476	3 ^{3/4} 95	1 ^{5/8} 41	2 ^{1/2} 64	29 13
WA 20	24 ^{13/16} 630	21 ^{1/8} 537	17 ^{3/4} 450	19 ^{11/16} 500	3/8 10	21 ^{1/8} 536	3 ^{7/8} 98	1 ^{3/4} 44	2 ^{1/2} 64	34 15

Air & Sound Performance

Model	*Technical Specification	Input Watts	Peak BHP	RPM	CFM v Static Pressure (SP) Ins. WG										Sones	
					0	0.05	0.1	0.15	0.2	0.25	0.3	0.35	0.4	0.5		
WA 12	HCGB/4-12/G-A	132	-	1500	1260	1200	1130	1040	900	-	-	-	-	-	-	9.9
WA 16	HCGB/4-16/G-A	310	0.26	1500	2430	2350	2260	2160	2050	1840	1500	-	-	-	-	18.9
WA 18	HCGB/4-18/G-A	550	0.50	1465	3690	3600	3510	3410	3330	3240	3140	3020	2900	2500	19.7	
WA 20	HCGB/4-20/G-A	750	0.65	1500	4520	4440	4340	4220	4100	3990	3870	3740	3600	3160	28	

Performance certified is for installation type A: free inlet, free outlet.

*Technical Specifications: Example

HCGB/ 4-16/ G-A
 ↓ ↓ ↓ ↓ ↓ ↓
 1 2 3 4 5 6 7

- 1-HC: COMPACT WALL AXIAL FAN reference.
- 2-G: Plastic adjustable impeller (supplied as standard).
- B: Aluminum adjustable impeller (please inquire).
- 3-B: Single Phase Motor. 120 V 60 Hz.
- T: Three Phase Motor. 220/460 V 60 Hz (please inquire).
- 5-16: Speed. Number of poles.
- 6-A: Nominal blade diameter in inches.
- Air direction.
 - Form A = air over motor-impeller.
 - Form B = air over-impeller motor.

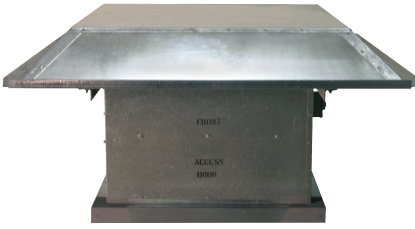


JencoFan certifies that the WALL AXIAL FANS shown herein are licensed to bear the AMCA Seal. The ratings shown are based on tests and procedures performed in accordance with AMCA publication 211 and AMCA publication 311 and comply with the requirements to the AMCA Certified Ratings Program.

Performance is shown for JencoFan WALL AXIAL FANS. Speed (rpm) shown is nominal. Performance is based on actual speed of the test. Performance ratings include the effects of finger guards in the airstream. The sound ratings are loudness values in fan sones at 5ft (1.5m) in a hemispherical free field calculated per AMCA Standard 301. Values are shown are for installation type A: free inlet, free outlet.

MODELS HRSB & HRSD

HOODED PROPELLER ROOF SUPPLY FANS



MODEL FEATURES

- Supply air to over 56,000 CFM up to 3/4" w.g.
- Belt drives permit easy performance adjustments when needed
- Direct drive units have low sound levels and quiet operation.
- Filtered models available
- cULus 705 Listed (HRSB only)

MODEL OPTIONS

MODEL NAME	DESCRIPTION
HRSB	Belt Drive Hooded Propeller Roof Supply Fan
HRSB-F	Belt Drive Hooded Propeller Roof Filtered Supply Fan
HRSD	Direct Drive Hooded Propeller Roof Supply Fan
HRSD-F	Direct Drive Hooded Propeller Roof Filtered Supply Fan

MODEL OVERVIEW

Models HRSB and HRSD are roof mounted supply fans rated from 4,000 to over 56,000 CFM and to 3/4" static pressure. They are used in a variety of commercial and industrial operations such as warehouses manufacturing plants, equipment and machinery rooms, assembly plants and similar facilities to provide fresh outside air for personal comfort and to reduce negative pressure caused by exhaust systems.

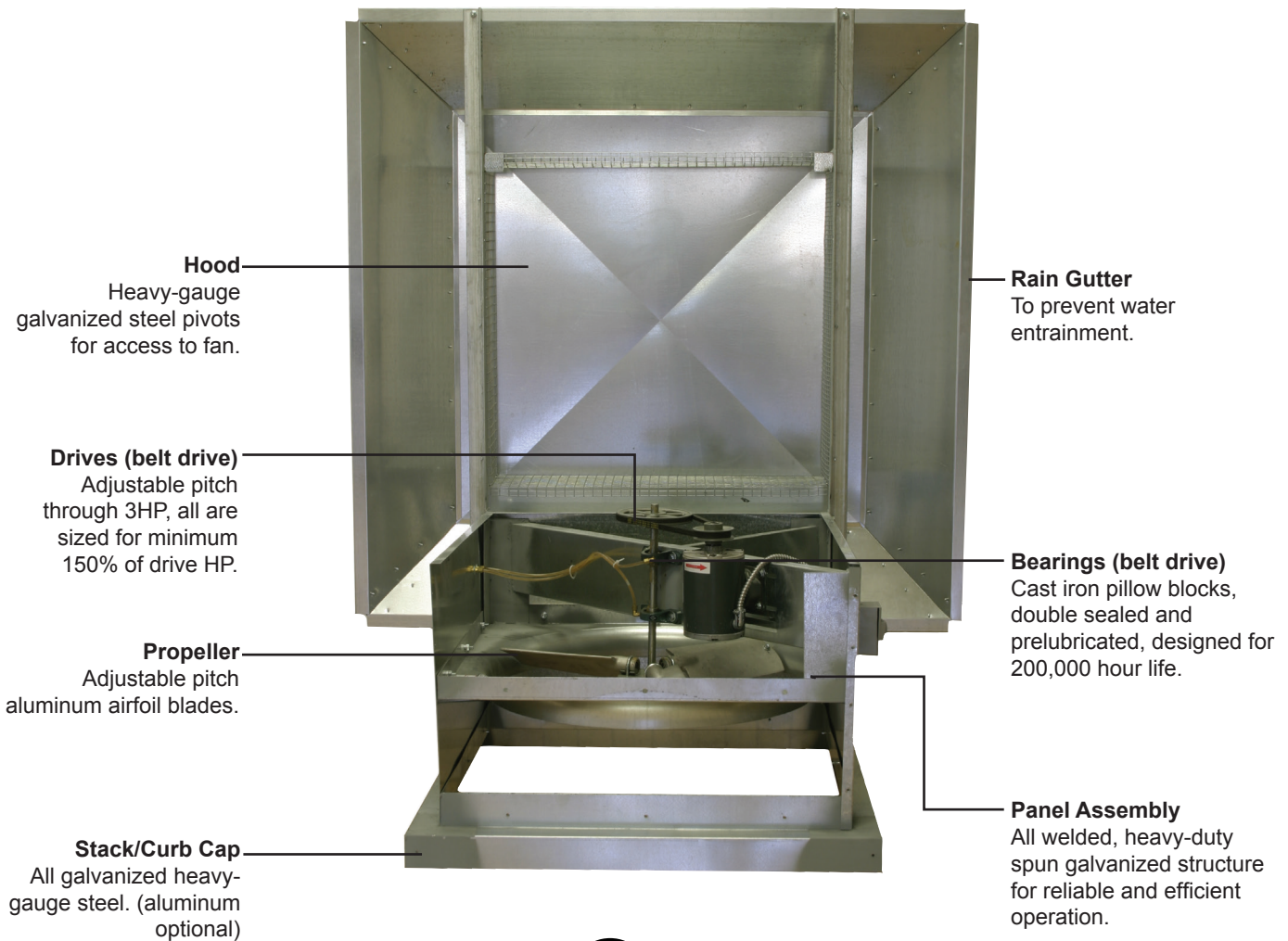
Models HRSB-F and HRSD-F include permanent re-cleanable aluminum filters for application where filtered supply air is required. Performance ratings include the effect of filters on air delivery.

Belt drive units usually operate more quietly and afford easier performance adjustments, while direct drive units require less maintenance.

2 year fan housing warranty, 1 year motor warranty



CONSTRUCTION FEATURES AND OPTIONS



Hood

Heavy-gauge galvanized steel pivots for access to fan.

Rain Gutter

To prevent water entrainment.

Drives (belt drive)

Adjustable pitch through 3HP, all are sized for minimum 150% of drive HP.

Bearings (belt drive)

Cast iron pillow blocks, double sealed and prelubricated, designed for 200,000 hour life.

Propeller

Adjustable pitch aluminum airfoil blades.

Panel Assembly

All welded, heavy-duty spun galvanized structure for reliable and efficient operation.

Stack/Curb Cap

All galvanized heavy-gauge steel. (aluminum optional)



UL Standard 705 (optional)
Listing assures electrical reliability.
Not available on HRSD units.

Factory Run & Tested

Assures dependable operation.



Construction/Specification Checklist

Panel Assembly

- Heavy-gauge G90 galvanized steel panel.
- One piece spun venturi for maximum efficiency.
- All welded support structure of schedule 40 galvanized pipe.
- Motor/bearing plates of minimum 10 gauge galvanized steel.
- All welds coated with cold galvanized paint.

Hood

- All heavy-gauge G90 galvanized steel.
- Low silhouette design for pleasing appearance.
- Unique design rain gutter minimizes water entrainment.
- Gutter provides additional hood strength and rigidity.

Base

- All galvanized construction for corrosion resistance.
- Secures fan unit to roof curb.
- Elevates fan unit above curb for ease of damper installation.

Propeller

- Two, three, four or six airfoil aluminum blades.
- Steel hub plate with steel taper lock busing.
- Hub finished with corrosion resistant epoxy paint.
- Adjustable pitch for optimum efficiency.

Drives (belt drive models)

- Sized for minimum 150% of drive horsepower.
- Single belt adjustable pitch sheaves through 3HP.
- Two belt fixed pitch sheaves through 10HP.
- Adjustable pitch sheaves are optional above 3HP.
- Adjustable tension rods for belt adjustment.
- Nonstatic oil resistant v-belts.
- Keyed, turned, ground and polished shafts.

Bearings

- Bearings designed for minimum 200,000 hour life, L50.
- Cast iron self-aligning pillow block ball bearings.
- Bearings are sealed, prelubricated with relube fittings.

Motors

- Brands are nationally recognized and locally serviced.
- Open drip-proof construction is standard.
- High-efficiency, explosion proof, totally enclosed, and corrosion duty motors can be specified.



Options/Accessories

Filters: Permanent cleanable aluminum mesh 2" filters installed in hood opening. See pages 298 and 299 for certified performance data with filters in place.

Roof Curb: Prefabricated heavy-gauge galvanized steel, welded construction, 12" high (other heights are also available) with 1-1/2" wood nailer. Assures perfect fit of unit to roof opening. Options include burglar bars, single or double pitch construction and hinged curbs for easy duct access.



Disconnect Switch: Nonfused safety disconnects are available for all motor sizes in rain-tight or open enclosures. Explosion proof, Nema 4 and 4X are also available.



Motor Operated Damper: Motor operated for positive closure against backdraft.

Automatic Damper: Automatic (counter-balanced) damper for ease in installation.

Bird Screen: 1/2" x 1" wire mesh guard prevents birds and other objects from entering fan.

Fiberglass Free Insulation: Hood crown is covered with 1/2" high performance and ecologically friendly fiberglass free insulation only, to reduce fan sound and condensation.

Extended Grease Lines: Extended copper grease lines allow motor and/or fan bearings to be relubricated from the exterior.

Motor Safety Chain: Secures motor to fan unit to prevent motor accidentally falling during maintenance.

Aluminum Construction: Optional aluminum construction available for external fan components (hood and base) only.

Special Coatings: For protective and decorative purposes. Available coatings include: Synthetic Resin, Epoxy, and Heresite (air-dried phenolic). Contact your representative or the factory for more information on available coatings and colors.



PERFORMANCE DATA - HRSB BELT DRIVE

Model HRSB	CFM @ Static Pressure							HP	RPM	No. of Blades	Max BHP	Sones @ 5 ft.
	0	1/8	1/4	3/8	1/2	5/8	3/4					
24	4724	4043	2979	-	-	-	-	1/3	930	3	.38	15
	5444	4844	4022	3000	-	-	-	1/2	1060	4	.58	19
	6171	5648	5049	4244	3315	-	-	3/4	1215	3	.85	24
	6781	6302	5841	5121	4374	3493	-	1	1335	3	1.13	28
	7771	7354	6946	6467	5830	5189	4436	1 1/2	1530	3	1.70	34
	8533	8153	7777	7412	6881	6298	5715	2	1680	4	2.25	41
30	7099	5557	3085	-	-	-	-	1/3	660	3	.37	13
	8194	6922	5008	-	-	-	-	1/2	775	3	.58	16
	9304	8246	6822	4979	-	-	-	3/4	865	3	.85	21
	10310	9369	8175	6585	-	-	-	1	950	3	1.15	24
	11724	10915	9991	8841	7402	-	-	1 1/2	1090	3	1.70	30
	12908	12173	11373	10448	9266	7946	-	2	1200	3	2.27	36
	14669	13780	12876	11851	10820	9824	8804	3	1370	3	3.44	45
36	9903	6558	-	-	-	-	-	1/3	495	3	.38	11
	11381	8600	-	-	-	-	-	1/2	565	3	.58	14
	12993	10696	7433	-	-	-	-	3/4	645	3	.85	18
	14302	12333	9637	-	-	-	-	1	710	3	1.14	21
	16417	14783	12589	10000	-	-	-	1 1/2	815	3	1.73	27
	18029	16541	14686	12604	-	-	-	2	895	3	2.29	31
	20647	19348	17959	16131	14300	11940	-	3	1025	3	3.44	39
42	14503	9169	-	-	-	-	-	1/2	445	3	.58	13
	16525	12079	-	-	-	-	-	3/4	510	3	.85	16
	18251	14350	-	-	-	-	-	1	560	3	1.15	19
	20858	17815	13510	-	-	-	-	1 1/2	640	3	1.72	24
	22977	20268	16414	12245	-	-	-	2	705	3	2.30	35
	26236	23863	20873	17540	13601	-	-	3	805	3	3.43	46
48	19542	11487	-	-	-	-	-	3/4	405	3	.86	14
	21742	14137	-	-	-	-	-	1	445	3	1.14	17
	24493	17864	10164	-	-	-	-	1 1/2	500	3	1.72	21
	27161	22026	15327	-	-	-	-	2	560	3	2.30	25
	30881	26694	20675	15035	-	-	-	3	640	3	3.40	30
	36671	33145	28874	23792	19200	-	-	5	760	3	5.71	40
	46322	38899	35818	31144	26982	23220	-	7 1/2	870	3	8.55	53
	49979	43530	40739	37344	32782	29339	25924	10	960	3	11.49	64
54	29628	23717	14745	-	-	-	-	2	465	3	2.09	23
	33769	29093	22202	-	-	-	-	3	530	3	3.10	28
	39709	35990	31085	25359	-	-	-	5	630	3	4.99	37
	45382	42128	38469	33640	28551	21662	-	7 1/2	720	3	7.47	47
	50109	47162	44215	40031	35603	30935	-	10	795	3	10.07	58
60	30739	25920	-	-	-	-	-	2	390	3	2.02	20
	35284	31586	23994	-	-	-	-	3	450	3	3.05	26
	41557	38758	34372	-	-	-	-	5	530	3	4.99	35
	47830	45398	42206	37327	29300	-	-	7 1/2	610	3	7.59	44
	52534	50320	47771	44348	38720	-	-	10	670	3	10.07	52

Performance shown is for Models HRSB and HRSD without inlet or outlet ducts.

Brake horsepower does not include drive losses.

The sound ratings shown are loudness values in fan sones at 5 ft. (1.5m) in a hemispherical free field calculated per AMCA Standard 301 @ free air. Values shown are installation Type A, free inlet fan sone levels.



UL Standard 705



PERFORMANCE DATA - HRSD DIRECT DRIVE

Model HRSD	CFM @ Static Pressure							HP	RPM	No. of Blades	Max BHP	Sones @ 5 ft.
	0	1/8	1/4	3/8	1/2	5/8	3/4					
24	4645	4210	3779	3286	2509	-	-	1/2	870	3	.57	17
	4455	3793	2703	-	-	-	-	1/3	1160	2	.38	17
	5433	4766	3747	-	-	-	-	1/2	1160	2	.56	19
	6336	5750	5077	4202	3203	-	-	3/4	1160	3	.86	21
	6756	6091	5460	4730	3978	3168	-	1	1160	4	1.13	22
	6232	5838	5348	4705	3942	3175	-	1	1750	2	1.14	30
	7709	7308	6880	6322	5619	4786	-	1 1/2	1750	2	1.71	34
	8646	8212	7722	7157	6486	5650	-	2	1750	2	2.26	38
	9447	9023	8599	8208	7811	7340	6917	3	1750	4	3.34	42
30	9272	8232	6830	5009	-	-	-	3/4	870	3	.84	19
	10276	9223	8132	6732	5191	-	-	1	870	4	1.13	29
	8691	7744	6428	4459	-	-	-	3/4	1160	2	.85	23
	10150	9275	8152	6209	-	-	-	1	1160	2	1.14	25
	11973	11016	9766	8085	5714	-	-	1 1/2	1160	2	1.71	29
	13020	12213	11322	10281	9004	7572	6106	2	1160	3	2.28	33
	11269	10688	9930	9101	7924	6719	5504	2	1750	2	2.30	43
	14249	13723	13109	12374	11661	10595	9225	3	1750	2	3.41	47
	17790	17198	16557	15818	14918	14219	13147	5	1750	2	5.65	58
36	12436	10693	7806	-	-	-	-	3/4	870	2	.85	21
	14185	12501	10031	-	-	-	-	1	870	2	1.13	23
	16237	14844	13175	11021	8499	-	-	1 1/2	870	3	1.73	26
	18084	16439	14310	11982	-	-	-	2	870	3	2.34	29
	15289	14160	12700	10280	-	-	-	1 1/2	1160	2	1.73	32
	17594	16478	14962	13317	10332	-	-	2	1160	2	2.29	33
	20753	19552	18052	16345	13852	-	-	3	1160	2	3.41	37
	24253	23000	21746	20165	18307	16643	14526	5	1160	3	5.66	49
	22388	21666	20886	19790	18910	17717	16129	5	1750	2	5.70	65
27417	26691	25942	25145	24055	23018	22187	7 1/2	1750	2	8.46	70	
42	15924	13504	9568	-	-	-	-	1	870	2	1.13	27
	20258	18236	15266	10310	-	-	-	1 1/2	870	2	1.74	28
	22642	20590	17805	-	-	-	-	2	870	2	2.25	29
	26128	23792	20453	15603	-	-	-	3	870	2	3.43	35
	24423	22947	21061	18816	15600	-	-	3	1160	2	3.34	43
	30979	29471	27836	25605	23318	19844	15452	5	1160	2	5.71	48
	21071	19517	17487	15477	13897	11833	-	5	1750	2	5.72	92
	30329	29285	28177	26703	25307	23501	21555	7 1/2	1750	2	8.49	91
	48	19172	14905	-	-	-	-	-	1	680	2	1.13
23378		20013	13975	-	-	-	-	1 1/2	680	2	1.70	24
26407		22763	16577	-	-	-	-	2	680	2	2.29	26
24151		21396	17029	-	-	-	-	2	870	2	2.32	34
29404		26778	23214	18540	-	-	-	3	870	2	3.40	35
35765		32909	29547	24033	18298	-	-	5	870	2	5.71	41
41979		38899	35818	31144	26982	23220	18390	7 1/2	870	2	8.55	49
32705		30685	28585	25121	21863	17961	-	5	1160	2	5.64	57
40052		38113	36090	33945	30299	26778	23119	7 1/2	1160	2	8.46	59
45047	43029	40906	38618	35611	31538	27579	10	1160	2	11.40	64	
54	43139	40158	37454	33863	29948	26098	20042	7 1/2	1160	2	7.70	71
	50109	47343	44544	42270	38346	34362	30282	10	1160	2	10.02	72

Performance shown is for Models HRSB and HRSD without inlet or outlet ducts.

Brake horsepower does not include drive losses.

The sound ratings shown are loudness values in fan sones at 5 ft. (1.5m) in a hemispherical free field calculated per AMCA Standard 301 @ free air. Values shown are installation Type A, free inlet fan sone levels.



PERFORMANCE DATA - HRSB-F BELT DRIVE WITH FILTERS

Model HRSB-F	CFM @ Static Pressure							HP	RPM	No. of Blades	Max BHP	Sones @ 5 ft.
	0	1/8	1/4	3/8	1/2	5/8	3/4					
24	4327	3650	2716	-	-	-	-	1/3	930	3	.381	15
	4984	4430	3645	2754	-	-	-	1/2	1060	3	.575	19
	5653	5211	4555	3863	3042	-	-	3/4	1215	3	.848	24
	6277	5891	5344	4698	4052	3270	-	1	1335	3	1.155	28
	7194	6857	6434	5909	5352	4797	4153	1 1/2	1530	3	1.738	34
	7899	7592	7244	6807	6287	5789	5282	2	1680	3	2.300	41
30	7242	6003	4432	-	-	-	-	1/2	755	3	.582	16
	8226	7196	5894	4445	-	-	-	3/4	865	3	.850	21
	9034	8128	6988	5739	4244	-	-	1	950	3	1.134	24
	10366	9599	8675	7624	6530	5257	-	1 1/2	1090	3	1.713	30
	11412	10715	9917	9009	8027	7023	5867	2	1200	3	2.283	36
	13028	12418	11782	11024	10211	9350	8483	3	1370	3	3.398	45
36	9637	7192	4033	-	-	-	-	1/2	565	3	.579	14
	11002	8881	6416	-	-	-	-	3/4	645	3	.856	18
	12110	10205	8056	5552	-	-	-	1	710	3	1.147	21
	13901	12276	10515	8501	6284	-	-	1 1/2	815	3	1.737	27
	15266	13792	12203	10056	8620	6434	-	2	895	3	2.295	31
	17483	16196	14851	13452	11915	10281	8550	3	1025	3	3.457	39
42	13841	10120	5578	-	-	-	-	3/4	510	3	.868	16
	15198	11764	8009	-	-	-	-	1	560	3	1.147	19
	17369	14370	11270	7653	-	-	-	1 1/2	640	3	1.720	24
	19133	16415	13766	10577	-	-	-	2	705	3	2.296	35
	21846	19467	17070	14716	11851	-	-	3	805	3	3.415	46
	17949	12146	-	-	-	-	-	1	445	3	1.152	17
48	20571	15261	9820	-	-	-	-	1 1/2	510	3	1.734	21
	22587	17713	12771	-	-	-	-	2	560	3	2.295	25
	25814	21489	17701	12978	-	-	-	3	640	3	3.428	30
	30654	27000	23498	20506	16124	12188	-	5	760	3	5.739	40
	35091	31899	28757	25802	23302	19238	16118	7 1/2	870	3	8.610	53
	38721	35828	32935	30200	27684	25195	21506	10	960	3	11.570	64

Performance shown is for Models HRSB-F and HRSD-F without inlet or outlet ducts.

Performance includes the effect of a filter.

Brake horsepower does not include drive losses.

The sound ratings shown are loudness values in fan sones at 5 ft. (1.5m) in a hemispherical free field calculated per AMCA Standard 301 @ free air. Values shown are installation Type A, free inlet fan sone levels.





PERFORMANCE DATA - HRSD-F DIRECT DRIVE WITH FILTERS

Model HRSD-F	CFM @ Static Pressure							HP	RPM	No. of Blades	Max BHP	Sones @ 5 ft.
	0	1/8	1/4	3/8	1/2	5/8	3/4					
24	5724	5215	4523	3733	2889	-	-	3/4	1160	3	.853	21
	6204	5713	5141	4541	3945	3395	2860	1	1160	4	1.115	22
	5932	5527	5090	4466	3692	2891	-	1	1750	2	1.149	30
	7164	6778	6335	5919	5262	4434	3593	1 1/2	1750	2	1.720	34
	7988	7544	7057	6567	6002	5256	4429	2	1750	2	2.352	38
	8779	8476	8173	7821	7463	7091	6726	3	1750	4	3.408	42
30	8273	7251	5961	4530	-	-	-	3/4	870	3	.865	19
	9111	8130	6737	5324	3664	-	-	1	870	4	1.152	21
	7919	7012	5841	4468	-	-	-	3/4	1160	2	.865	23
	9019	8119	7087	5733	4094	-	-	1	1160	2	1.154	25
	10319	9275	8126	6799	5451	-	-	1 1/2	1160	2	1.728	29
	11489	10703	9835	8888	7839	6751	5513	2	1160	3	2.306	33
	10360	9677	9024	8212	7360	6614	5540	2	1750	2	2.340	43
	12739	12155	11560	10934	10224	9351	8439	3	1750	2	3.403	47
	15375	14701	14027	13304	12562	11818	10915	5	1750	2	5.657	58
36	10814	9160	7004	-	-	-	-	3/4	870	2	.866	21
	12029	10298	8210	5682	-	-	-	1	870	2	1.144	23
	13467	11303	8919	6739	-	-	-	1 1/2	870	2	1.740	26
	15229	13606	11915	10099	8115	-	-	2	870	3	2.313	29
	13211	11941	10567	8903	7115	-	-	1 1/2	1160	2	1.712	32
	15197	13942	12667	11097	9432	7374	-	2	1160	2	2.338	33
	17216	15783	14320	12708	10951	9433	-	3	1160	2	3.442	37
	20545	19284	18023	16724	15468	14160	12528	5	1160	3	5.749	49
	19654	18794	17943	17155	16187	15117	14010	5	1750	2	5.726	65
	23366	22527	21689	20853	20022	19089	18090	7 1/2	1750	2	8.437	70
42	13965	11651	8971	5239	-	-	-	1	870	2	1.147	27
	16958	14787	12347	9265	-	-	-	1 1/2	870	2	1.703	28
	18835	16487	14046	11171	-	-	-	2	870	2	2.307	29
	20709	17795	14729	11692	8483	-	-	3	870	2	3.396	35
	25471	23668	21893	20074	18041	15847	13556	5	1160	2	5.739	48
	26240	24928	23677	22653	21293	19916	18551	7 1/2	1750	2	8.425	91
48	21205	18422	15525	10623	-	-	-	2	870	2	2.344	34
	24860	22013	19430	16007	-	-	-	3	870	2	3.397	35
	28822	25302	21915	18436	13330	-	-	5	870	2	5.724	41
	35091	31899	28757	25802	23302	19238	16118	7 1/2	870	3	8.610	49
	28661	26447	24563	22522	20057	16080	12406	5	1160	2	5.709	57
	33747	31570	29480	27547	25436	22954	19494	7 1/2	1160	2	8.473	59
36844	34454	32078	29866	27653	25141	22274	10	1160	2	11.337	64	

Performance shown is for Models HRSB-F and HRSD-F without inlet or outlet ducts.

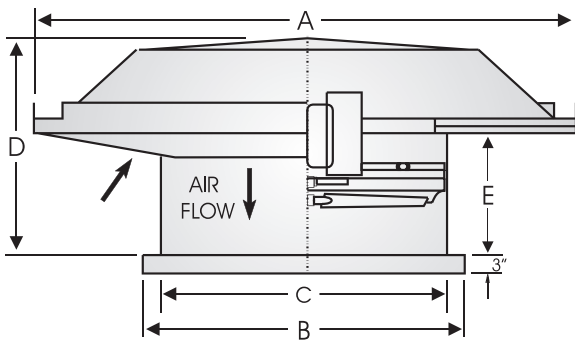
Performance includes the effect of a filter.

Brake horsepower does not include drive losses.

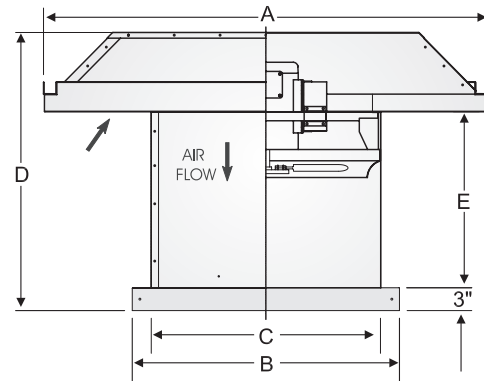
The sound ratings shown are loudness values in fan sones at 5 ft. (1.5m) in a hemispherical free field calculated per AMCA Standard 301 @ free air. Values shown are installation Type A, free inlet fan sone levels.



DIMENSIONS



Model HRSB - Belt Drive
Model HRSD - Direct Drive



Model HRSB-F - Belt Drive
Model HRSD-F - Direct Drive

Model HRSB/ HRSD	Dimensions (Inches)						Metal Gauges			Avg. Wt.
	A	B	C	D	E	F	Crown / Side Hood	Stack	Curb Cap	
24	58	35	30	31	23	33-1/4	18 / 18	18	16	425
30	66	41	36	32	23	39-1/4	18 / 18	18	16	550
36	78	47	42	34	23	45-1/4	18 / 18	18	16	700
42	87	53	48	43	30	51-1/4	18 / 18	16	16	800
48	99	59	54	44	30	57-1/4	18 / 18	16	14	1100
54	111	65	60	45	30	63-1/4	18 / 18	16	14	1300
60	111	71	66	46	30	69-1/4	18 / 18	16	14	1550

Model HRSB-F/ HRSD-F	Dimensions (Inches)						Standard Filter ⁷	Avg. Wt.
	A	B	C	D	E	F	Size (Nominal)	
24	58	35	30	31	23	33-1/4	15 x 20 x 2	375
24	66	35	30	32	23	33-1/4	19 x 22 x 2	450
30	66	41	36	32	23	39-1/4	16 x 25 x 2	550
30	78	41	36	34	23	39-1/4	19 x 22 x 2	600
36	78	47	42	34	23	45-1/4	19 x 29-3/4 x 2	675
36	87	47	42	43	23	45-1/4	16-1/8 x 23-1/2 x 2	750
42	87	53	48	43	30	51-1/4	20 x 25 x 2/16 x 20 x 2	850
42	99	53	48	44	30	51-1/4	18-3/8 x 26-1/2 x 2	900
48	99	59	54	44	30	57-1/4	19-1/8 x 23-1/2 x 2	1100
48	111	59	54	45	30	57-1/4	16-1/2 x 29-1/2 x 2	1200

- A - Outside dimension of square hood.
- B - Inside dimension of square curb cap.
- C - Minimum inside dimension of curb opening for rated performance.
- D - Height of unit above curb cap.
- E - Height of hood opening above curb cap.
- F - Outside dimension of prefab curb.

MODELS HREB-C & HRED-C

HOODED PROPELLER ROOF EXHAUST FANS



MODEL FEATURES

- Exhaust air to over 40,000 CFM up to 3/4" w.g.
- Belt drives permit easy performance adjustments when needed
- Direct drive units have low sound levels and quiet operation.
- Reversible blades available
- cULus 705 Listed (HREB-C only)

MODEL OPTIONS

MODEL NAME	DESCRIPTION
HREB-C	Belt Drive Hooded Propeller Roof Exhaust Fan
HRED-C	Direct Drive Hooded Propeller Roof Exhaust Fan

MODEL OVERVIEW

Models HREB-C and HRED-C are roof mounted, low profile exhaust fans rated from 5,700 to over 40,000 CFM. Performances are rated to 3/4" static pressure. Seven sizes (from 24-60 inches) are available AMCA rated for Air and Sound performance. Fans, hoods and bases are available in galvanized or aluminum construction. They are used to exhaust air from a variety of commercial and industrial operations such as manufacturing and assembly plants, warehouses, garages, laundries and similar buildings.

For greater versatility, reversible blades are available as an option. Exhaust or supply air movement is achieved by a remote reversing switch. The reverse feature can provide positive or negative building pressurization with single or multiple fan units. Maximum utilization of the fans can be achieved with this inexpensive option.

The unit's low silhouette fits today's clean uncluttered building design and its standard all-galvanized construction provides years of resistance to corrosion.

Greater hood strength and weather resistance is achieved from the modular design. Heavy-gauge galvanized hood sections are cross broken and connected by a standing seam for extra strength over conventional hood designs.

The knockdown feature on the larger sizes also provides lower transit costs and ease of jobsite handling. This modular design is one of the strongest and easiest to assemble in the industry. Hood sizes 58 to 78 inch (represents fan sizes 24 to 36 inch) ship assembled. Hood sizes 87 to 123 inch (represent fan sizes 42 to 60 inch) ship knockdown or can be special ordered assembled.

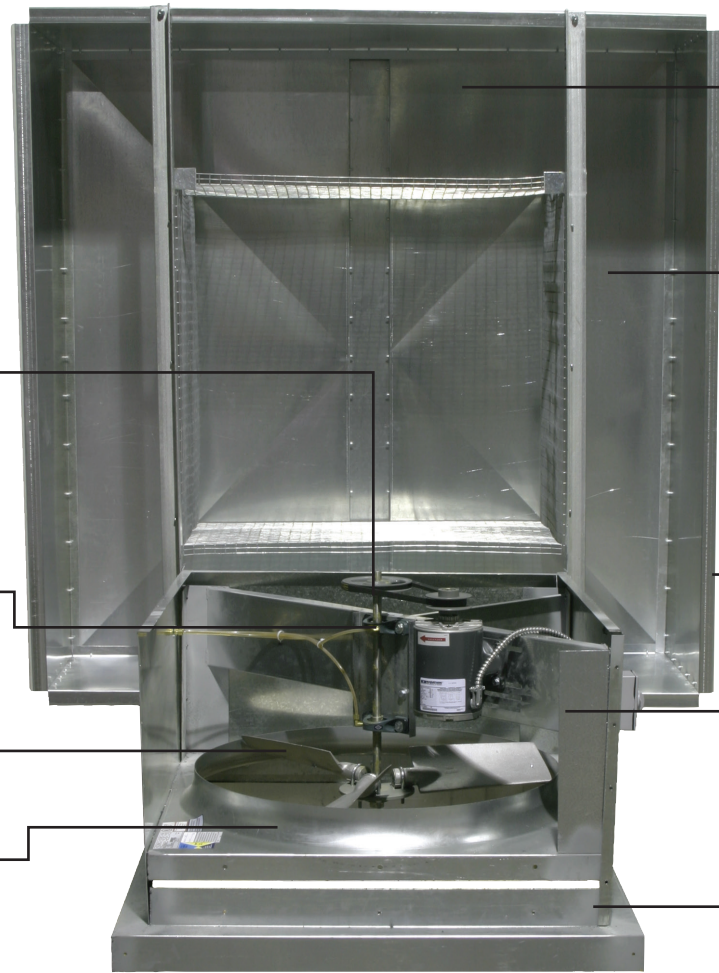
For damper maintenance, an entire side panel of the fan stack easily removes for access. The hood hinges open for motor access. The belt drive fan units all have outboard drives and adjustable motor bases for easy maintenance. These features are standard.

2 year fan housing warranty, 1 year motor warranty

All specifications are subject to change without notice unless approved in submittal by JencoFan.



CONSTRUCTION FEATURES AND OPTIONS



All galvanized and welded construction.

Drives (belt drive)

Adjustable pitch through 3HP, sized for minimum 150% of drive HP with outboard drives for ease of maintenance.

Bearings (belt drive)

Cast iron pillow blocks, double sealed and prelubricated, designed for 200,000 hour life.

Propeller

Adjustable pitch aluminum airfoil blades.

Panel Assembly

All welded, heavy-duty spun galvanized structure for reliable and efficient operation.

AMCA Seal

Assures rating of Air and Sound performance.

Factory Run & Tested

Assures dependable operation.

Hood
Modular hood design for maximum strength and lower cost.

Hood
Heavy-gauge galvanized steel (aluminum optional) pivots for access to fan - removal is not necessary.

Rain Gutter
To prevent water entrainment.

Access Panel
Removable side panel for fan and damper access.

Stack/Curb Cap
All galvanized heavy-gauge steel. (aluminum optional)



UL Standard 705 (optional) Listing assures electrical safety and reliability. Not available on HRED-C units.



CONSTRUCTION/SPECIFICATION CHECKLIST

Panel Assembly

- Heavy-gauge G90 galvanized steel panel.
- One piece spun venturi for maximum efficiency.
- All welded support structure of minimum schedule 40 galvanized pipe.
- Motor/bearing plates of minimum 10 gauge galvanized steel.
- All welds coated with cold galvanized paint.

Hood

- All heavy-gauge G90 galvanized steel.
- Low silhouette design for pleasing appearance.
- Unique design rain gutter minimizes water entrainment.
- Gutter provides additional hood strength and rigidity.
- Modular design for extra strength and cost savings.

Base

- All galvanized construction for corrosion resistance.
- Secures fan unit to roof curb.
- Elevates fan unit above curb for ease of damper installation.
- Removable panel for damper access.

Propeller

- Two, three, four or six airfoil aluminum blades.
- Steel hub plate with steel taper lock bushing.
- Hub finished with corrosion resistant epoxy paint.
- Adjustable pitch for optimum efficiency.

Drives (belt drive models)

- Sized for minimum 150% of drive horsepower.
- Single belt adjustable pitch sheaves through 3HP.
- Two belt fixed pitch sheaves 5HP through 10HP.
- Adjustable pitch sheaves are optional above 3HP.
- Adjustable tension rods or slide base for belt adjustment.
- Nonstatic oil resistant v-belts.
- Keyed, turned, ground and polished shafts with an anti-rust coating.

Bearings

- Bearings designed for minimum 200,000 hour life, L50.
- Cast iron self-aligning pillow block ball bearings.
- Bearings are sealed, prelubricated with relube fittings.

Motors

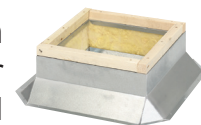
- Brands are nationally recognized and locally serviced.
- Open drip-proof construction is standard.
- High-efficiency, explosion proof, totally enclosed, multi-speed and corrosion duty motors can be specified.

AMCA Seal

- Assures ratings of Air and Sound performance.

OPTIONS/ACCESSORIES

Roof Curb: Prefabricated heavy-gauge galvanized steel, welded construction, 12" high (other heights are also available) with 1-1/2" wood nailer. Assures perfect fit of exhauster to roof opening. Options include burglar bars, single or double pitch construction and hinged curbs for easy duct access.



Disconnect Switch: Nonfused safety disconnects are available for all motor sizes in rain-tight or open enclosures. Explosion proof, Nema 4 and 4X are also available.



Motor Operated Damper: Motor operated for positive closure against backdraft.

Automatic Damper: Automatic (counter-balanced) damper for ease in installation.

Bird Screen: 1/2" x 1" wire mesh guard prevents birds and other objects from entering fan.

Remote Drive: The motor is mounted on the stack exterior, out of the airstream. A motor cover is provided.

Fiberglass Free Insulation: Hood crown is covered with 1/2" high performance and ecologically friendly fiberglass free insulation only, to reduce fan sound and condensation.

Extended Grease Lines: Extended copper grease lines allow motor and/or fan bearings to be relubricated from the exterior.

Motor Safety Chain: Secures motor to fan unit to prevent motor accidentally falling during maintenance.

Aluminum Construction: Optional aluminum construction available for external fan components (hood and base) only.

Special Coatings: Powered roof exhausters often require special coatings for protective and decorative purposes. Available coatings include: Synthetic Resin, Epoxy, and Heresite (air-dried phenolic). Contact your representative or the factory for more information on available coatings and colors.



PERFORMANCE DATA - HREB-C BELT DRIVE

Model HREB-C	CFM / BHP @ Static Pressure							HP	RPM	Sones @ 5 ft.
	0	1/8	1/4	3/8	1/2	5/8	3/4			
24	5702 / 0.377	4678 / 0.400	3661 / 0.397	2480 / 0.392	1159 / 0.416	-	-	1/3	970	14.9
	6525 / 0.565	5613 / 0.599	4764 / 0.599	3792 / 0.595	2730 / 0.587	1582 / 0.624	-	1/2	1110	18.3
	7466 / 0.847	6653 / 0.894	5915 / 0.896	5153 / 0.896	4271 / 0.890	3399 / 0.891	2240 / 0.896	3/4	1270	23
	8230 / 1.135	7482 / 1.193	6806 / 1.202	6134 / 1.201	5417 / 1.193	4592 / 1.193	3809 / 1.194	1	1400	26
	9318 / 1.646	8647 / 1.722	8038 / 1.744	7450 / 1.743	6850 / 1.743	6220 / 1.733	5501 / 1.731	1-1/2	1585	32
	10347 / 2.254	9735 / 2.345	9176 / 2.382	8641 / 2.389	8113 / 2.384	7569 / 2.386	7003 / 2.382	2	1760	38
30	7209 / 0.404	5018 / 0.387	3176 / 0.370	-	-	-	-	1/3	680	13.2
	8269 / 0.610	6517 / 0.591	4594 / 0.558	3076 / 0.565	-	-	-	1/2	780	16.3
	9435 / 0.906	7802 / 0.879	6092 / 0.852	4715 / 0.826	3378 / 0.842	-	-	3/4	890	20
	10389 / 1.209	8811 / 1.173	7407 / 1.157	5963 / 1.135	4761 / 1.106	3524 / 1.129	-	1	980	24
	11874 / 1.805	10351 / 1.752	9420 / 1.752	7876 / 1.698	6728 / 1.674	5675 / 1.648	4619 / 1.667	1-1/2	1120	29
	13093 / 2.420	11601 / 2.350	10764 / 2.349	9647 / 2.312	8292 / 2.277	7287 / 2.216	6332 / 2.209	2	1235	34
	15001 / 3.640	13542 / 3.539	12783 / 3.532	12052 / 3.533	10959 / 3.478	9741 / 3.424	8829 / 3.431	3	1415	44
36	8786 / 0.387	6104 / 0.389	2134 / 0.352	-	-	-	-	1/3	580	13.3
	10073 / 0.584	7683 / 0.594	5107 / 0.550	-	-	-	-	1/2	665	16.5
	11588 / 0.889	9473 / 0.904	7492 / 0.863	4732 / 0.744	-	-	-	3/4	765	20
	12724 / 1.176	10811 / 1.197	9014 / 1.181	6896 / 1.104	3781 / 1.012	-	-	1	840	23
	14542 / 1.756	12808 / 1.788	11215 / 1.788	9677 / 1.708	7717 / 1.648	5057 / 1.472	-	1-1/2	960	29
	15981 / 2.331	14338 / 2.374	12909 / 2.372	11537 / 2.340	9985 / 2.263	8167 / 2.193	5673 / 1.949	2	1055	33
	18329 / 3.516	16799 / 3.580	15675 / 3.578	14345 / 3.579	12167 / 3.530	11855 / 3.414	10286 / 3.301	3	1210	42
	21737 / 5.865	20331 / 5.964	19363 / 5.974	18375 / 5.969	17234 / 5.969	16243 / 5.940	15229 / 5.892	5	1435	55
42	11430 / 0.55	7602 / 0.51	3608 / 0.50	-	-	-	-	1/2	500	13.8
	13031 / 0.82	9733 / 0.78	6209 / 0.72	-	-	-	-	3/4	570	17.3
	14402 / 1.11	11464 / 1.07	8258 / .99	5111 / .99	-	-	-	1	630	20
	16460 / 1.66	13936 / 1.63	11154 / 1.53	8367 / 1.46	5612 / 1.48	-	-	1-1/2	720	25
	18174 / 2.23	15913 / 2.21	13435 / 2.11	10887 / 2.01	8389 / 1.96	5881 / 2.00	3067 / 2.15	2	795	29
	20804 / 3.35	18847 / 3.33	16747 / 3.24	14532 / 3.11	12309 / 3.00	10124 / 2.95	7953 / 2.96	3	910	36
48	24690 / 5.59	23047 / 5.59	21347 / 5.52	19539 / 5.39	17671 / 5.24	15792 / 5.09	13930 / 4.98	5	1080	49
	15781 / 0.832	12968 / 0.908	9524 / 0.814	-	-	-	-	3/4	450	16.3
	17360 / 1.107	14879 / 1.199	11860 / 1.102	8269 / 1.111	-	-	-	1	495	18.9
	19814 / 1.647	17669 / 1.743	15126 / 1.761	12415 / 1.612	9098 / 1.660	-	-	1-1/2	565	23
	21919 / 2.229	19977 / 2.344	17838 / 2.432	15433 / 2.384	12834 / 2.182	9694 / 2.256	-	2	625	27
	25075 / 3.337	23364 / 3.512	21654 / 3.560	19566 / 3.587	17502 / 3.470	15250 / 3.264	12688 / 3.232	3	715	32
	29809 / 5.606	28351 / 5.885	26957 / 5.894	25466 / 6.081	23707 / 6.096	21940 / 6.000	20177 / 5.563	5	850	43
	33842 / 8.204	32546 / 8.574	31316 / 8.634	30072 / 8.712	28720 / 8.921	27168 / 8.936	25584 / 8.776	7-1/2	965	53
54	37349 / 11.028	36166 / 11.478	35044 / 11.602	33932 / 11.595	32782 / 11.718	31524 / 12.008	30116 / 12.021	10	1065	62
	28075 / 2.084	24746 / 2.252	21152 / 2.357	17397 / 2.317	13225 / 2.128	-	-	2	530	28
	32312 / 3.177	29421 / 3.371	27975 / 3.468	23156 / 3.593	19939 / 3.532	16352 / 3.241	-	3	610	34
	37874 / 5.116	35407 / 5.343	32940 / 5.570	30341 / 5.745	27494 / 5.789	24714 / 5.687	21912 / 5.522	5	715	44
	43171 / 7.576	41007 / 7.836	38843 / 8.095	36670 / 8.350	34336 / 8.520	31840 / 8.574	29337 / 8.413	7-1/2	815	55
	47674 / 10.203	45714 / 10.489	43754 / 10.775	41794 / 11.061	39797 / 11.325	37648 / 11.488	35385 / 11.546	10	900	66
60	28479 / 2.264	23920 / 2.303	19370 / 2.184	13910 / 1.862	-	-	-	2	450	26
	33225 / 3.596	29133 / 3.675	25508 / 3.586	21380 / 3.471	16669 / 2.978	10364 / 2.639	-	3	525	33
	38288 / 5.502	35426 / 5.623	31547 / 5.597	28228 / 5.496	24575 / 5.311	20563 / 5.083	15845 / 4.517	5	605	41
	44301 / 8.523	40836 / 8.697	38290 / 8.708	35595 / 8.567	32709 / 8.512	29610 / 8.222	26232 / 7.869	7-1/2	700	53
48414 / 11.124	45118 / 11.338	42732 / 11.372	40389 / 11.315	37818 / 11.099	35137 / 11.120	32275 / 10.731	10	765	62	

Performance certified is for Installation Type A: Free inlet, Free outlet. BHP does not include transmission losses. The sound ratings shown are loudness values in fan sones at 5 ft. (1.5m) in a hemispherical free field calculated per AMCA Standard 301. Values shown are installation Type A: free inlet fan sone levels.



JencoFan, Div. of Soler & Palau Ventilation Group, certifies that the Models HREB-C shown herein are licensed to bear the AMCA Seal. The ratings shown are based on test and procedures performed in accordance with AMCA Publication 211 and AMCA Publication 311 and comply with the requirement of the AMCA Certified Ratings Program.



PERFORMANCE DATA - HRED-C DIRECT DRIVE

Model HRED-C	CFM / BHP @ Static Pressure							HP	RPM	Sones @ 5 ft.
	0	1/8	1/4	3/8	1/2	5/8	3/4			
24	5991 / 0.541	5222 / 0.607	4453 / 0.617	2966 / 0.597	2203 / 0.609			1/2	870	16.1
	6908 / 0.867	6081 / 0.86	5194 / 0.854	3735 / 0.831	2780 / 0.842	1193 / 0.851		3/4	870	18
	5219 / 0.325	4327 / 0.384	3555 / 0.398	2526 / 0.381	1709 / 0.363			1/3	1160	19.7
	6390 / 0.570	5597 / 0.622	4739 / 0.627	3798 / 0.617	2572 / 0.617	1297 / 0.606		1/2	1160	21
	7394 / 0.892	6553 / 0.902	5687 / 0.893	4861 / 0.874	3918 / 0.884	2755 / 0.892	1715 / 0.983	3/4	1160	23
	8361 / 1.237	7480 / 1.247	6758 / 1.248	6041 / 1.239	5084 / 1.215	3481 / 1.239	2323 / 1.258	1	1160	24
	8800 / 1.662	8133 / 1.726	7560 / 1.746	6979 / 1.736	6254 / 1.710	4759 / 1.694	4216 / 1.694	1-1/2	1160	25
	7115 / 0.896	6567 / 1.021	5995 / 1.045	5406 / 1.102	4802 / 1.106	4138 / 1.114	3369 / 1.083	1	1750	31
	9535 / 1.697	8870 / 1.719	8189 / 1.728	7487 / 1.721	6759 / 1.714	5990 / 1.683	5159 / 1.686	1-1/2	1750	43
	10288 / 2.216	9673 / 2.306	9112 / 2.342	8574 / 2.349	8042 / 2.343	7494 / 2.346	6924 / 2.337	2	1750	37
30	8058 / 0.597	6645 / 0.627	5130 / 0.612	3974 / 0.570				1/2	870	16.9
	8885 / 0.852	7507 / 0.891	6113 / 0.888	5383 / 0.878	4050 / 0.838	2400 / 0.858		3/4	870	19.7
	10095 / 1.255	8508 / 1.256	7085 / 1.208	5837 / 1.185	4593 / 1.149	3590 / 1.140	2116 / 1.186	1	870	20
	11015 / 1.890	9970 / 1.890	8893 / 1.874	8361 / 1.849	7542 / 1.690	5640 / 1.721	4904 / 1.750	1-1/2	870	21
	12350 / 2.621	11159 / 2.505	9333 / 2.460	7529 / 2.408	8180 / 2.307	6815 / 2.642	5793 / 2.352	2	870	24
	9274 / 0.860	8023 / 0.886	6518 / 0.863	4673 / 0.820	2755 / 0.816			3/4	1160	25
	10694 / 1.267	9425 / 1.257	7878 / 1.231	6528 / 1.159	4811 / 1.140	2873 / 1.216		1	1160	29
	12020 / 1.923	10870 / 1.924	9633 / 1.896	8269 / 1.849	7103 / 1.815	6316 / 1.821	5272 / 1.778	1-1/2	1160	30
	12847 / 2.523	11665 / 2.545	10635 / 2.542	9601 / 2.517	8715 / 2.493	7782 / 2.446	6963 / 2.324	2	1160	33
	14635 / 3.789	13612 / 3.698	12046 / 3.592	10947 / 3.559	10069 / 3.537	9085 / 3.531	8146 / 3.391	3	1160	37
36	12938 / 2.463	12151 / 2.534	11337 / 2.536	10304 / 2.536	9364 / 2.532	8331 / 2.501	7503 / 2.464	2	1750	46
	15195 / 3.850	14454 / 3.896	13595 / 3.898	12668 / 3.900	11692 / 3.826	10813 / 3.791	9585 / 3.667	3	1750	54
	10708 / 0.780	9073 / 0.833	7377 / 0.845	5612 / 0.808				3/4	870	22
	12730 / 1.152	11041 / 1.200	9168 / 1.184	7346 / 1.169	5061 / 1.101			1	870	26
	13685 / 1.745	12339 / 1.718	10479 / 1.629	8588 / 1.591	6455 / 1.569	3906 / 1.606		1-1/2	870	30
	16374 / 2.409	14844 / 2.388	13309 / 2.392	11779 / 2.312	10037 / 2.191	7404 / 2.162	4676 / 2.102	2	870	28
	18199 / 3.466	16805 / 3.322	15502 / 3.285	14102 / 3.277	12081 / 3.118	9540 / 3.143	6836 / 3.268	3	870	32
	14053 / 1.744	12929 / 1.849	11650 / 1.865	10402 / 1.895	9167 / 1.882	7833 / 1.845	6471 / 1.769	1-1/2	1160	34
	14679 / 2.115	13505 / 2.186	12290 / 2.221	10972 / 2.206	9636 / 2.189	8405 / 2.172	7148 / 2.158	2	1160	35
	17582 / 3.577	16319 / 3.541	15067 / 3.534	13775 / 3.523	12491 / 3.523	11275 / 3.512	9950 / 3.487	3	1160	37
21936 / 5.769	20539 / 5.574	19232 / 5.503	17980 / 5.498	16773 / 5.523	15581 / 5.523	14152 / 5.480	5	1160	47	
15035 / 3.422	14138 / 3.515	13355 / 3.547	12613 / 3.550	11869 / 3.544	11060 / 3.555	10171 / 3.448	3	1750	74	
20465 / 5.422	19705 / 5.639	18927 / 5.770	18129 / 5.832	17312 / 5.843	16476 / 5.826	15609 / 5.903	5	1750	75	
24839 / 8.311	24078 / 8.482	23262 / 8.608	22392 / 8.685	21480 / 8.718	20544 / 8.716	19609 / 8.663	7-1/2	1750	81	

Performance shown is for Installation Type A: Free inlet, Free outlet. BHP does not include drive losses.



JencoFan, Div. of Soler & Palau Ventilation Group, certifies that the Models HRED-C shown herein are licensed to bear the AMCA Seal. The ratings shown are based on test and procedures performed in accordance with AMCA Publication 211 and comply with the requirement of the AMCA Certified Ratings Program.



PERFORMANCE DATA - HRED-C DIRECT DRIVE cont.

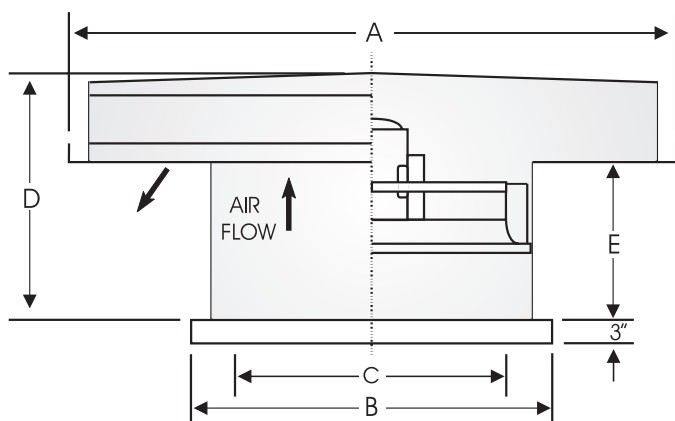
Model HRED-C	CFM / BHP @ Static Pressure							HP	RPM	Sones @ 5 ft.
	0	1/8	1/4	3/8	1/2	5/8	3/4			
42	6570 / 1.609	14167 / 1.551	11262 / 1.420	7973 / 1.426	-	-	-	1-1/2	870	33
	19940 / 2.305	17744 / 2.305	15655 / 2.306	13058 / 2.215	10682 / 2.153	-	-	2	870	37
	21640 / 3.95	19785 / 3.89	17763 / 3.81	15602 / 3.72	13345 / 3.67	11007/3.67	8532 3.73	3	870	41
	21966 / 3.308	20500 / 3.444	18953 / 3.489	17344 / 3.492	15718 / 3.518	14022 / 3.444	12180 / 3.312	3	1160	58
	26310 / 5.833	24753 / 5.770	23272 / 5.771	21656 / 5.642	19945 / 5.643	18332 / 5.356	16737 / 4.609	5	1160	59
	20253 / 5.745	19103 / 5.648	17959 / 5.619	16823 / 5.620	15703 / 5.493	14611 / 5.497	13403 / 5.297	5	1750	93
48	20688 / 2.317	19025 / 2.402	16940 / 2.418	15074 / 2.389	13092 / 2.184	10681 / 2.196	7827 / 2.224	2	870	41
	25857 / 3.483	23353 / 3.470	20843 / 3.448	18197 / 3.344	15375 / 3.114	12299 / 3.178	8647 / 2.975	3	870	44
	30637 / 5.760	28009 / 5.547	25382 / 5.505	22872 / 5.527	20457 / 5.573	17925 / 5.584	14299 / 5.353	5	870	48
	34585 / 8.315	33085 / 8.498	31514 / 8.610	29874 / 8.656	28175 / 8.648	26449 / 8.493	24689 / 8.506	7-1/2	870	50
	37488 / 11.819	35927 / 11.332	34497 / 11.090	32665 / 10.976	30613 / 10.985	28509 / 10.499	26495 / 10.506	10	870	56
	30735 / 5.883	28107 / 5.486	25346 / 5.411	22591 / 5.430	19994 / 5.239	17423 / 4.666	14714 / 4.779	5	1160	71
	34476 / 8.257	32589 / 8.222	30723 / 8.227	28848 / 8.230	26934 / 8.174	24944 / 7.914	22873 / 7.765	7-1/2	1160	79
	38005 / 11.916	35927 / 11.509	34081 / 11.356	32323 / 11.324	30562 / 11.337	28647 / 10.825	26258 / 10.795	10	1160	99
54	27942 / 3.470	25431 / 3.528	22691 / 3.539	19504 / 3.486	16154 / 3.296	12685 / 3.033	9565 / 2.570	3	870	43
	37098 / 4.879	34410 / 5.044	31722 / 5.209	29013 / 5.310	26232 / 5.322	23290 / 5.270	20389 / 5.119	5	870	58
	44330 / 8.857	41565 / 8.595	38801 / 8.333	36024 / 8.089	33088 / 8.026	29922 / 8.003	26445 / 7.749	7-1/2	870	67
	43655 / 11.930	40830 / 11.397	38170 / 11.216	35619 / 11.208	33151 / 11.013	30745 / 11.003	28251 / 10.863	10	870	69
	27088 / 5.860	25568 / 5.788	23941 / 5.772	22218 / 5.777	20425 / 5.606	18586 / 5.506	16718 / 5.340	5	1160	87
36365 / 8.495	34710 / 8.753	33103 / 8.897	31500 / 8.957	29856 / 8.955	28086 / 8.811	26063 / 8.824	7-1/2	1160	92	
60	48780 / 11.909	45778 / 11.745	42747 / 11.728	39680 / 11.667	36563 / 11.253	33414 / 10.753	30299 / 10.717	10	870	88

Performance shown is for Installation Type A: Free inlet, Free outlet. BHP does not include drive losses.

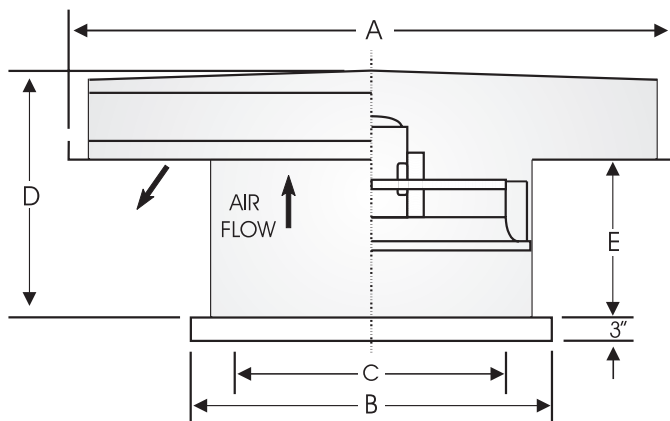


JencoFan, Div. of Soler & Palau Ventilation Group, certifies that the Models HRED-C shown herein are licensed to bear the AMCA Seal. The ratings shown are based on test and procedures performed in accordance with AMCA Publication 211 and comply with the requirement of the AMCA Certified Ratings Program.

DIMENSIONS



Model HREB-C Belt Drive



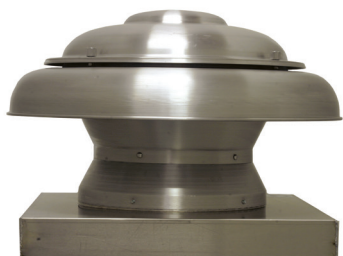
Model HRED-C Direct Drive

Size	Dimensions (Inches)						Metal Gauges				Avg. Wt.
	A	B	C	D	E	F	Hood Crown	Hood Side	Base	Curb Cap	
24	58	35	30	44	23	33-1/4	18	18	16	16	425
30	66	41	36	44	23	39-1/4	18	18	16	16	550
36	78	47	42	44	23	45-1/4	18	18	16	16	700
42	87	53	48	51	30	51-1/4	18	16	16	16	800
48	99	59	54	51	30	57-1/4	18	16	16	14	1100
54	111	65	60	51	30	63-1/4	18	16	14	14	1300
60	111	71	66	51	30	69-1/4	18	16	14	14	1550
60	123	71	66	51	30	69-1/4	18	16	14	14	1690

- A** - Outside dimension of square hood.
- B** - Inside dimension of square curb cap.
- C** - Minimum inside dimension of curb or roof opening for rated performance.
- D** - Height of unit above curb cap.
- E** - Height of hood opening above curb cap.
- F** - Outside dimension of prefab curb.

MODELS ARE & ARS

DOME AXIAL POWER ROOF VENTILATORS (EXHAUST/SUPPLY)



MODEL FEATURES

- Exhaust air up to 3,100 CFM in static pressure applications up to 3/4" w.g.
- Low profile attractive spun aluminum exterior
- Direct drive units have low sound levels and quiet operation
- AMCA Air & Sound Licensed
- UL 705 Listed

CONSTRUCTION OPTIONS

MODEL NAME	DESCRIPTION
ARE	Dome Axial Power Roof Exhaust Fan
ARS	Dome Axial Power Roof Supply Fan

MODEL OVERVIEW

The AR series offers powerful axial intake (ARS) or exhaust (ARE) performance in a roof mount design that is compact, lightweight and easy to install. Available in 4 sizes with a CFM range from 268 to over 3,100 CFM to 3/4" static pressure.

The direct drive design has no belts or fan bearings to maintain or adjust and consequently requires very little maintenance. The AR series is an excellent choice for factories, shops, restaurants, bathrooms, offices, schools and other similar applications where light to moderate static pressures are present. Equipped with explosion-proof motors, the AR series can be used in more severe applications. (Caution should be used to safely match the motor capabilities with the specific hazardous environment).

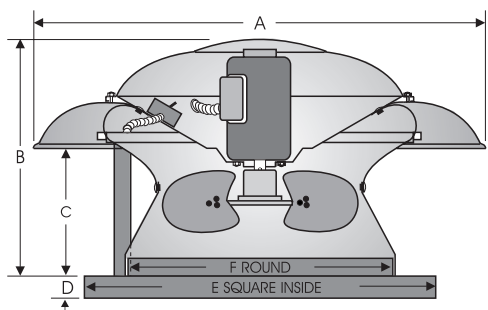
The low contour designs and all aluminum housing provides a modern, clean appearance in addition to excellent performance and durability.

Models ARE are available in our Quickship program. Sizes 10-20 are available for next day or 10-day shipping from stock.



5 year fan housing warranty, 1 year motor warranty

DIMENSIONS



Size	Dimensions (Inches)						Avg. Ship weight (lbs.)
	A	B	C	D	E	F	
100A	21	13	7	2	20	13-3/4	25
120A-121A	28	16	8	3	24	15-3/4	42
160A-161A	32	18	8-1/2	3	28	19-3/4	55
201A	36	20	9-3/4	3	32	23-3/4	75

All specifications are subject to change without notice unless approved in submittal by JencoFan.



CONSTRUCTION/SPECIFICATION CHECKLIST

Housing

- Heavy-gauge all aluminum housing.
- Exclusive U-Spring suspension compensates for both radial and lateral movement and provides 44% better vibration isolation than rubber isolators.
- External wiring chase for easy connection.
- High point of discharge with low silhouette design.
- Quick access to motor compartment for easy maintenance.

Propellers

- Attaches directly to fan shaft for maximum efficiency.
- Precision pitched. Heavy-gauge aluminum blades with steel hub. Blades are designed for specific exhaust or supply requirements.

Motors

- Standard motors are single speed, speed controllable and drip-proof.
- All motors are rated for continuous duty.
- Disconnect is standard on ODP motors (except two speed and explosion proof).
- Motors are shipped assembled with factory test run assurance.

Certifications

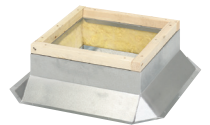
- UL-705 listing available as an option with standard motors.
- AMCA Air & Sound Licensed.

OPTIONS/ACCESSORIES

Solid State Speed Control: JencoFan's solid state control is matched to allow smooth RPM variation and adjustment of airflow for system balancing. CFM is reduced in direct proportion to motor speed reduction. Speed controllers available for 115/1 or 230/1 operation. Fan performance can be controlled from the ventilated area.



Roof Curb: Prefabricated heavy-gauge galvanized steel, welded construction, 12" high (other heights are also available) with 1-1/2" wood nailer. Assures perfect fit of fan to roof opening. Options include burglar bars, single or double pitch construction and hinged curbs for easy duct access.



Motor Operated Damper: Motor operated aluminum damper for positive closure against backdraft.

Automatic Damper: Automatic aluminum damper for ease in installation and effective backdraft protection.



Curb Hinge Arrangement: The curb hinge arrangement provides easy access to the fan, backdraft damper, and duct for servicing and cleaning.

Insect Screen: Helps prevent insects, snow, airborne mist or water droplets from entering.

Special Coatings: For protective and decorative purposes. Available coatings include: Synthetic Resin, Epoxy, and Heresite (air-dried phenolic). Contact your representative or the factory for more information on available coatings and colors.



PERFORMANCE

Model ARE (Exhaust)

CFM / BHP @ Static Pressure / Sones										Catalog Number	HP	RPM															
0	1/10		1/8		1/4		3/8		1/2				5/8		3/4												
336	0.13	1.6	167	0.15	2.8	147	0.15	2.8	22	0.16	3.4	-	-	-	-	-	-	ARE 100A S	1/15	930							
445	0.11	3.0	299	0.14	4.1	270	0.14	4.9	175	0.15	4.9	81	0.15	5.3	-	-	-	ARE 100A S	1/15	1230							
561	0.11	5.0	463	0.10	5.2	425	0.13	5.3	298	0.14	7.3	228	0.14	7.3	165	0.15	7.5	85	0.15	7.9	-	-	-	ARE 100A *	1/15	1550	
713	0.09	2.1	363	0.12	2.9	297	0.13	3.4	-	-	-	-	-	-	-	-	-	-	-	-	-	-	-	-	ARE 121A S	1/4	685
979	0.10	4.1	787	0.10	4.6	697	0.10	4.8	381	0.12	6.4	163	0.13	8.6	-	-	-	-	-	-	-	-	-	-	ARE 121A S	1/4	940
1187	0.08	5.9	1056	0.09	6.2	1007	0.09	6.3	657	0.10	7.5	453	0.12	8.9	269	0.14	10.7	102	0.15	13.0	-	-	-	-	ARE 121A *	1/4	1140
1077	0.22	4.6	931	0.23	5.2	868	0.23	5.3	513	0.27	6.8	318	0.29	8.8	143	0.30	11.7	-	-	-	-	-	-	-	ARE 120A S	1/4	1030
1438	0.22	7.6	1344	0.22	8.1	1316	0.22	8.2	1095	0.22	8.8	799	0.24	9.9	612	0.26	11.5	470	0.27	13.3	342	0.29	15.4	-	ARE 120A S	1/4	1375
1804	0.19	11.2	1728	0.21	11.6	1708	0.21	11.7	1596	0.22	12.3	1410	0.23	12.8	1154	0.23	13.5	931	0.24	14.8	781	0.26	16.1	-	ARE 120A *	1/4	1725
1047	0.14	2.8	661	0.16	4.1	564	0.16	4.1	253	0.18	4.9	-	-	-	-	-	-	-	-	-	-	-	-	-	ARE 161A S	1/4	685
1436	0.18	5.4	1208	0.18	5.4	1126	0.18	5.9	738	0.18	7.3	496	0.17	7.4	305	0.17	8.5	122	0.18	10.4	-	-	-	-	ARE 161A S	1/4	940
1742	0.11	7.5	1572	0.12	6.9	1518	0.13	7.1	1173	0.14	9.9	881	0.15	9.9	674	0.17	9.9	498	0.18	10.4	327	0.19	11.4	-	ARE 161A *	1/4	1140
1551	0.34	5.3	1357	0.36	4.9	1287	0.36	5.0	899	0.38	8.7	648	0.40	16.7	460	0.41	32	-	-	-	-	-	-	-	ARE 160A S	1/3	1030
2071	0.32	8.4	1940	0.33	7.9	1903	0.33	7.8	1655	0.34	8.6	1345	0.36	11.5	1104	0.37	16.5	920	0.38	24	767	0.39	36	-	ARE 160A S	1/3	1375
2598	0.25	12.1	2495	0.28	11.5	2470	0.29	11.4	2301	0.31	11.4	2111	0.34	12.6	1824	0.36	14.7	1539	0.38	17.7	1334	0.39	22	-	ARE 160A *	1/3	1725
1781	0.25	5.8	1372	0.28	5.4	1248	0.28	5.9	704	0.30	6.4	317	0.31	7.1	-	-	-	-	-	-	-	-	-	-	ARE 201A S	1/4	685
2444	0.24	9.8	2183	0.25	9.2	2110	0.25	9.1	1656	0.26	10.2	1222	0.28	10.9	893	0.29	11.0	606	0.30	11.9	348	0.31	12.9	-	ARE 201A S	1/4	940
2855	0.26	13.4	2617	0.29	12.9	2546	0.29	12.7	2183	0.31	12.4	1780	0.33	14.2	1417	0.35	15.0	1126	0.38	15.0	865	0.42	15.1	-	ARE 201A *	1/4	1140

Performance certified is for installation type A – free inlet, free outlet.

The sound ratings shown are loudness values in fan sones @ 5' (1.5m) in a hemispherical free field calculated per AMCA Standard 301. Values shown are for: installation Type A: free inlet hemispherical sone levels.

* Base Unit – Speed (RPM) shown is nominal. AMCA Seal does not apply to units with speed control.

* - As run speed.

S - Requires speed control.

Model ARS (Supply)

CFM / BHP @ Static Pressure / Sones										Catalog Number	HP	RPM															
0	1/10		1/8		1/4		3/8		1/2				5/8		3/4												
454	0.14	4.8	308	0.15	5.0	271	0.15	5.0	71	0.17	5.9	-	-	-	-	-	-	-	-	-	-	-	-	-	ARS 100A S	1/15	1230
513	0.13	6.1	384	0.14	6.2	352	0.14	6.2	182	0.16	6.7	-	-	-	-	-	-	-	-	-	-	-	-	-	ARS 100A S	1/15	1390
572	0.13	7.7	457	0.14	7.5	428	0.14	7.6	280	0.15	7.9	119	0.16	8.7	-	-	-	-	-	-	-	-	-	-	ARS 100A *	1/15	1550
678	0.08	4.5	379	0.09	4.3	308	0.09	4.2	-	-	-	-	-	-	-	-	-	-	-	-	-	-	-	-	ARS 121A S	1/4	820
777	0.07	5.8	526	0.08	5.6	452	0.09	5.6	-	-	-	-	-	-	-	-	-	-	-	-	-	-	-	-	ARS 121A S	1/4	940
942	0.06	8.0	760	0.07	7.8	695	0.07	7.9	412	0.09	7.9	-	-	-	-	-	-	-	-	-	-	-	-	-	ARS 121A *	1/4	1140
853	0.18	7.1	653	0.21	7.3	576	0.21	7.4	283	0.24	6.9	-	-	-	-	-	-	-	-	-	-	-	-	-	ARS 120A S	1/4	1030
1138	0.17	11.8	1020	0.17	10.8	979	0.17	11.1	709	0.20	11.8	487	0.22	11.3	287	0.24	11.2	-	-	-	-	-	-	-	ARS 120A S	1/4	1375
1428	0.15	16.4	1341	0.16	15.7	1316	0.16	15.6	1146	0.17	16.4	921	0.18	16.9	728	0.20	16.1	565	0.23	15.8	260	0.26	15.6	-	ARS 120A *	1/4	1725
1253	0.15	7.8	1000	0.17	7.2	916	0.18	7.7	552	0.20	7.7	-	-	-	-	-	-	-	-	-	-	-	-	-	ARS 161A S	1/4	820
1436	0.15	9.8	1233	0.16	9.1	1164	0.16	9.1	817	0.18	9.8	526	0.20	10.0	-	-	-	-	-	-	-	-	-	-	ARS 161A S	1/4	940
1742	0.15	13.7	1589	0.15	13.1	1541	0.16	12.9	1253	0.17	14.0	976	0.19	13.9	691	0.21	14.0	-	-	-	-	-	-	-	ARS 161A *	1/4	1140
1289	0.29	9.2	1013	0.33	8.8	944	0.33	8.9	655	0.36	10.0	-	-	-	-	-	-	-	-	-	-	-	-	-	ARS 160A S	1/3	1030
1720	0.25	15.5	1574	0.26	14.3	1493	0.27	14.1	1205	0.31	14.6	965	0.33	15.4	807	0.35	17.0	-	-	-	-	-	-	-	ARS 160A S	1/3	1375
2158	0.21	23	2070	0.23	21	2036	0.23	21	1753	0.25	20	1542	0.27	21	1333	0.30	22	1148	0.33	22	918	0.37	24	-	ARS 160A *	1/3	1725
1631	0.24	7.9	1150	0.26	7.1	1018	0.26	6.9	-	-	-	-	-	-	-	-	-	-	-	-	-	-	-	-	ARS 201A S	1/4	685
2239	0.21	13.3	1907	0.23	12.7	1816	0.23	12.6	1341	0.25	11.7	809	0.27	13.9	-	-	-	-	-	-	-	-	-	-	ARS 201A S	1/4	940
2654	0.23	18.2	2370	0.24	17.7	2282	0.25	17.6	1843	0.27	16.8	1359	0.30	16.1	-	-	-	-	-	-	-	-	-	-	ARS 201A *	1/4	1140

Performance certified is for installation type A – free inlet, free outlet.

The sound ratings shown are loudness values in fan sones @ 5' (1.5m) in a hemispherical free field calculated per AMCA Standard 301. Values shown are for: installation Type A: free inlet hemispherical sone levels.

* Base Unit – Speed (RPM) shown is nominal. AMCA Seal does not apply to units with speed control.

* - As run speed.

S - Requires speed control.



Standard 705
(Optional)



JencoFan, Div. of Soler & Palau Ventilation Group, certifies that the Models ARE and ARS shown herein are licensed to bear the AMCA Seal. The ratings shown are based on test and procedures performed in accordance with AMCA Publication 211 and AMCA Publication 311 and comply with the requirement of the AMCA Certified Ratings Program.

MODEL UBS & UBS-P

BELT DRIVE UPBLAST PROPELLER ROOF EXHAUSTER



MODEL FEATURES

- Exhaust air up to 51,000 CFM in static pressure applications up to 1/2" w.g.
- Straight-through air flow design results in maximum exhaust efficiency
- Belt drives permit easy performance adjustments when needed
- cULus 705 Listed

MODEL OVERVIEW

Models UBS and UBS-P are high capacity roof mounted exhausters rated from 7,000 to 51,000 CFM. They are general ventilation units designed to economically remove large volumes of air, fumes and vapors from commercial and industrial buildings such as warehouses, manufacturing and assembly plants, chemical plants, foundries and paper mills.

Straight-through air flow design results in maximum exhaust efficiency. During operation, high air flow velocity opens butterfly dampers and prevents rain or snow from entering. Dampers close and cover the venturi opening when unit is not in use.

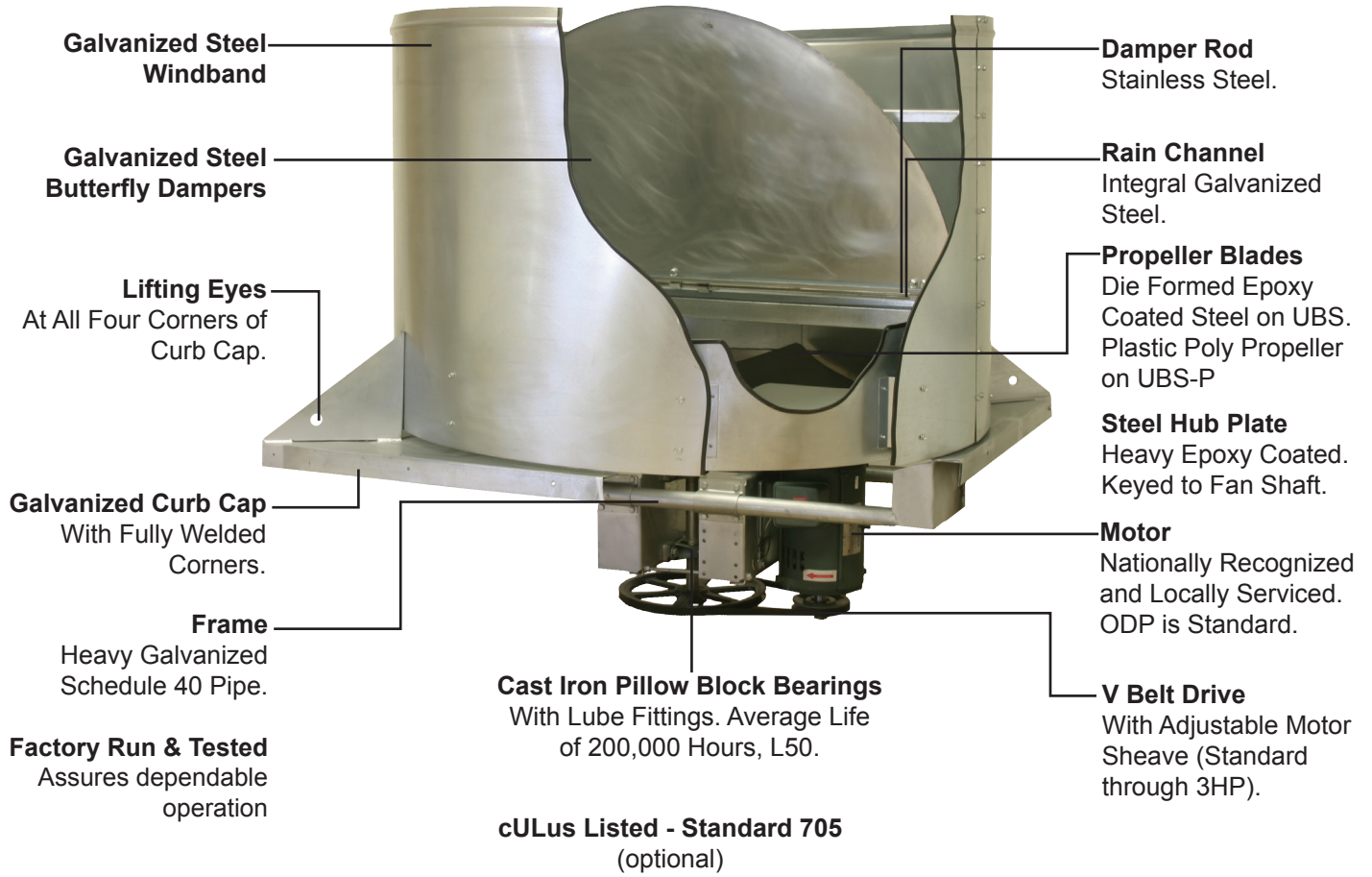
The roof mounted location eliminates interference with processes and equipment inside the building. It also permits locating the exhauster over a source of heated or contaminated air, allowing direct upward venting to the outside, unlike wall mounted exhausters which may move contaminated air through adjacent work spaces.

Belt drive units usually operate more quietly and afford easier performance adjustments, while direct drive models require less maintenance.

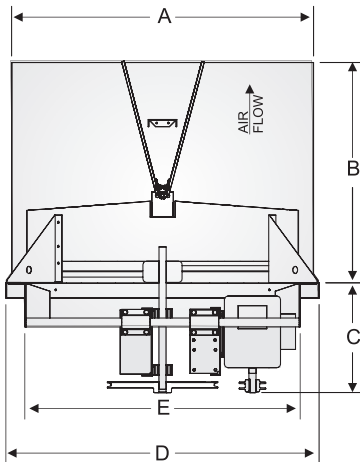
2 year fan housing warranty, 1 year motor warranty



CONSTRUCTION FEATURES AND OPTIONS



DIMENSIONAL DATA



MODEL UBS & UBS-P	A	B	C	D	E	F	METAL GAUGES		Average Wt. Lbs.
							WIND SHROUD	FAN PANEL	
24	30	26	20	32	28	31	18	16	250
30	36	29	21	38	34	37	18	16	325
36	42	31	21	44	40	43	18	16	350
42	48	34	22	50	46	49	18	16	425
48	54	37	26	56	52	55	18	16	450
54	60	40	26	62	58	61	18	14	575
60	66	43	26	68	64	67	18	14	750

- A - Outside Diameter of Windband.
- B - Height of Unit Above Curb Cap.
- C - Maximum Depth of Unit Below Top of Curb, Actual Depth Varies with Motor Size.
- D - Inside Dimension of Square Curb Cap.
- E - Minimum Inside Dimension of Curb Opening Required for Adequate Clearance of Fan Frame.
- F - Outside Dimension of Factory Built Prefab Curb.



CONSTRUCTION/SPECIFICATION CHECKLIST

Panel Assembly

- Heavy-gauge G90 galvanized steel panel on all sizes.
- One piece venturi for maximum efficiency.
- Welded and bolted support structure of schedule 40 galvanized pipe.
- Motor/bearing plates of heavy-gauge galvanized steel.
- Lifting eyes standard for ease of installation.

Windband/Butterfly Dampers

- Heavy-gauge galvanized steel windband.
- Galvanized steel butterfly dampers standard.
- Galvanized rain channel drains water from damper area to roof.
- Corrosion resistant.

Propeller (Model UBS)

- Steel hub plate with steel taper lock bushing.
- Die formed, heavy-gauge, epoxy coated, steel blades.

Propeller (Model UBS-P)

- Plastic airfoil propeller
- Size 24 has a glass reinforced polyamide, industrial quality propeller
- Sizes 30-60 have a glass reinforced polypropylene propeller
- Blades are pitched for optimum efficiency

Drives

- Sized for minimum 150% of drive horsepower.
- Single belt adjustable pitch sheaves through 3HP.
- Two belt fixed pitch sheaves on 5HP and 7 1/2HP units.
- Adjustable tension rods for belt adjustment.
- Nonstatic oil resistant V belts.
- Keyed, turned, ground and polished shafts coated with an anti-rust compound to resist corrosion.

Bearings

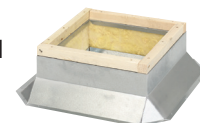
- Bearings designed for minimum 200,000 hour life, L50.
- Cast iron self-aligning pillow block ball bearings.
- Bearings are sealed, prelubricated with relube fittings.

Motors

- Brands are nationally recognized and locally serviced.
- Open drip-proof construction is standard.

OPTIONS/ACCESSORIES

Roof Curb: Prefabricated heavy-gauge galvanized steel, welded construction, 12" high with 1 - 1 / 2" wood nailer. Options include burglar bars, single and double pitch construction, and additional curb heights.



Outlet Guard: 1/2" x 1" wire mesh guard will prevent birds and other objects from entering fan.

Disconnect Switch: Nonfused safety disconnects are available for all motor sizes in rain-tight or open enclosures. Explosion proof, Nema4 and 4X are also available.

Magnetic Latches: Help reduce butterfly damper chatter when the units are not in operation.

Cushion Close: Allows butterfly damper doors to close quietly.

Safety Basket Guard: 1/2 x 1" galvanized wire. Guard extends into roof curb. **Important:** For all nonducted applications, the manufacturer recommends that a safety basket guard must be installed as a safety precaution for personnel below unit.

Extended Grease Lines: Extended nylon grease lines allow fan bearings to be relubricated from the exterior of the fan housing.



PERFORMANCE



MODEL UBS	CFM @ STATIC PRESSURE					HP	RPM	Max. BHP	Sones @ .375
	0	1/8	1/4	3/8	1/2				
24	7079	6599	6023	5284	3732	3/4	1070	0.82	22
	7939	7511	7068	6461	5718	1	1200	1.10	27
30	10546	9463	7865	5230	3906	1	871	1.10	16.8
	12781	11952	10895	9435	7270	1-1/2	1055	1.65	23
	14388	13700	12782	11745	10346	2	1188	2.20	29
36	11872	10354	8064	5301	3522	1	575	1.15	14.6
	14557	13389	11962	9903	6871	1-1/2	705	1.65	21
	16415	15416	14200	12722	10776	2	795	2.20	24
	19087	18221	17299	16291	15181	3	950	3.30	36
42	16307	14087	11400	7270	5386	1-1/2	510	1.65	16.4
	19184	17283	15281	12804	8980	2	600	2.20	22
	22382	20749	19150	17245	15170	3	700	3.30	31
48	25259	23813	22382	20885	19127	5	790	5.50	42
	22656	20052	16506	10504	7559	2	475	2.20	19.7
54	27187	25018	25563	19410	14113	3	570	3.30	26
	31480	29606	27732	25319	22538	5	660	5.50	33
60	29460	25454	20962	14718	11910	3	485	3.30	19
	36456	33013	30586	26237	19623	5	600	5.50	29
60	44555	40707	36545	27962	22834	5	495	5.50	26
	50996	47635	44150	39164	31620	7-1/2	555	8.62	35

Performance shown is for roof ventilators for installation type A: Free inlet, Free outlet. The power rating (BHP) does not include drive losses. Performance ratings do not include the effects of appurtenances in the airstream.

Sound ratings are loudness values in fan sones at 5 feet (1.5m) in a hemispherical free field calculated per AMCA Standard 301. Values are for installation type A: Free inlet fan sone levels. For additional sound data and for selections at other static pressures, please refer to the Optimizer Selection Program.

Due to air stream cooling, the motor loading into the service factor shown does not overheat the motor and is within NEMA recommended limits. BHP at most static pressure points is less than the maximum power shown - in many cases substantially less. Use Optimizer to see the exact BHP for your selection.

Model UBS-P	CFM @ Static pressure, HP Req											HP	RPM
	0	HP	1/8	HP	1/4	HP	3/8	HP	1/2	HP			
24	6610	0.587	6240	0.634	5890	0.685	5490	0.736	5010	0.781	3/4	1070	
	7420	0.828	7090	0.881	6760	0.936	6440	0.996	6060	1.05	1	1200	
30	10700	0.724	9550	0.764	8280	0.777	6430	0.784	3010	0.784	1	871	
	12900	1.29	12000	1.35	11000	1.37	9920	1.38	8450	1.36	1-1/2	1055	
36	14600	1.84	13800	1.9	12900	1.94	12000	1.97	10900	1.96	2	1188	
	12500	0.65	10800	0.701	8500	0.742	4550	0.79	2930	0.912	1	575	
	15300	1.2	13900	1.26	12400	1.31	10500	1.37	6630	1.4	1-1/2	705	
	17200	1.71	16000	1.79	14800	1.86	13300	1.91	11400	1.97	2	795	
42	20600	2.93	19600	3	18600	3.1	17500	3.18	16200	3.23	3	950	
	18200	1.07	15700	1.14	12400	1.22	6270	1.25	-	-	1-1/2	510	
	21400	1.66	19300	1.83	16800	1.91	13600	2.01	7620	2.02	2	600	
48	25000	2.78	23200	2.87	21300	2.96	19100	3.07	16400	3.19	3	700	
	30000	4.86	28400	4.97	26700	5.06	24700	5.16	22600	5.27	5	790	
	26200	1.86	23000	1.97	19300	2.1	10500	2.09	-	-	2	475	
54	30400	2.89	27600	3.02	24500	3.14	20900	3.29	12200	3.24	3	550	
	36500	4.99	34200	5.17	31700	5.29	29100	5.45	26300	5.66	5	660	
60	34800	2.8	31200	2.96	26800	3.12	15400	3.14	-	-	3	425	
	41800	4.84	38800	5.02	35600	5.24	31500	5.41	26000	5.47	5	510	
60	50100	4.67	46600	4.78	42800	4.93	36800	4.87	25700	4.46	5	560	
	58500	7.48	55600	7.6	52500	7.75	48900	7.93	43700	7.87	7-1/2	655	

Performance shown is for roof ventilators for installation type A: Free inlet, Free outlet. The power rating (BHP) does not include drive losses. Performance ratings do not include the effects of appurtenances in the airstream.

Sound ratings are loudness values in fan sones at 5 feet (1.5m) in a hemispherical free field calculated per AMCA Standard 301. Values are for installation type A: Free inlet fan sone levels. For additional sound data and for selections at other static pressures, please refer to the Optimizer Selection Program.

Due to air stream cooling, the motor loading into the service factor shown does not overheat the motor and is within NEMA recommended limits. BHP at most static pressure points is less than the maximum power shown - in many cases substantially less. Use Optimizer to see the exact BHP for your selection.

MODEL UBSRD

REMOTE DRIVE UPBLAST PROPELLER ROOF EXHAUSTER



MODEL FEATURES

- Exhaust air up to 52,000 CFM in static pressure applications up to 3/4" w.g.
- Motor and drives are located outside of the exhaust airstream
- Suited for removal of heated or contaminated air
- Capable of continuous operation exhausting air up to 200°F
- Belt drives permit easy performance adjustments when needed
- cULus 705 Listed

MODEL OVERVIEW

Model UBSRD units are high capacity, belt driven roof mounted exhausters rated from 4,900 to 52,000 CFM. The motor and drives are located outside of the exhaust airstream, making these units especially suited for the removal of heated or contaminated air from commercial and industrial buildings or processes where these conditions exist. All models are capable of continuous operation exhausting air to 200°F.

The remote drive construction allows for easy rooftop belt and motor access for maintenance. For increased air performance (in clean conditions) with the same easy maintenance access, the UBSRD is available without the belt and bearing enclosures.

Straight-through air flow design results in maximum exhaust efficiency. During operation, high air flow velocity opens butterfly dampers and prevents rain or snow from entering. Dampers close and cover the venturi opening when unit is not in use.

The roof mounted location eliminates interference with processes and equipment inside the building. It also permits locating the exhauster over a source of heated or contaminated air, allowing direct upward venting to the outside, unlike wall mounted exhausters which may move contaminated air through adjacent work spaces.

2 year fan housing warranty, 1 year motor warranty



CONSTRUCTION/SPECIFICATION CHECKLIST

Panel Assembly

- Heavy-gauge G90 galvanized steel panel, size 24-60.
- One piece venturi for maximum efficiency and strength.
- Motor mounting plates of heavy-gauge galvanized steel.
- Bearing mounting plates of heavy-gauge galvanized steel.
- Lifting eyes standard for ease of installation.

Windband/Butterfly Dampers

- Heavy-gauge galvanized steel windband.
- Galvanized steel butterfly dampers standard.
- Galvanized rain channel drains water from damper area to roof.
- Galvanized damper shaft rotates in bronze bushing.

Propeller

- Steel hub plate with steel taper lock bushing.
- Die formed, heavy-gauge, epoxy coated, steel blades.

Drives

- Shielded from airstream by galvanized steel enclosure (Optional).
- Sized for minimum 150% of drive horsepower.
- Single belt adjustable pitch sheaves through 3HP.
- Two belt fixed pitch sheaves 5HP through 10HP.
- Adjustable pitch sheaves are optional above 3HP.
- Tilt motor base for belt adjustment.
- Nonstatic, oil resistant v-belts.
- Keyed, turned, ground and polished shafts.

Bearings

- Bearings designed for minimum 200,000 hour life, L50.
- Cast iron self-aligning pillow block ball bearings.
- Bearings are sealed, prelubricated and furnished with relube fittings.

Motors

- Located outside airstream under weather cover.
- Brands are nationally recognized and locally serviced.
- Open drip-proof construction is standard.



OPTIONS/ACCESSORIES

Roof Curb: Prefabricated heavy-gauge galvanized steel, welded construction, 12" high with 1-1/2" wood nailer. Options include burglar bars, single and double pitch construction, and additional curb heights.



Disconnect Switch: Nonfused safety disconnects are available for all motor sizes in rain-tight or open enclosures.

Magnetic Latches: Help reduce damper chatter when the units are not in operation.

Noninsulated Belt Cover (Belt Tube): To isolate drive components from airstreams.

Outlet Guard: 1/2" x 1" wire mesh guard will prevent birds and other objects from entering fan.

Propeller Blade Side Safety Guard: 1/2 x 1" galvanized wire guard. **Important:** For all nonducted applications, the manufacturer recommends that a safety guard must be installed as a safety precaution for personnel below unit.

Extended Grease Lines: Extended grease lines allow fan bearings to be relubricated from the exterior.

Special Coatings: Powered roof exhausters often require special coatings for protective and decorative purposes. Available coatings include: Synthetic Resin, Epoxy, and Heresite (air-dried phenolic). Contact your representative or the factory for more information on available coatings and colors.



MODELS UBSRD-HT & UBSRD-HT1

REMOTE DRIVE UPBLAST PROPELLER ROOF EXHAUSTERS FOR HEAT AND SMOKE REMOVAL



MODEL FEATURES

- Exhaust air up to 52,000 CFM in static pressure applications up to 3/4" w.g.
- Motor and drives are located outside of the exhaust airstream
- Designed and tested for emergency heat and smoke removal
- Successfully passed heat test of 1000°F for 15 minutes and 500°F for over 4 hours
- Belt drives permit easy performance adjustments when needed
- cULus 705 Listed

MODEL OVERVIEW

Model UBSRD-HT/HT1 has been designed and tested for emergency heat and smoke removal. This design also lends itself to everyday nonemergency high capacity industrial and commercial roof exhaust applications. Model UBSRD-HT/HT1 successfully passed heat test of 1000°F for fifteen (15) minutes, and 500°F for over four (4) hours by an independent testing agency. Model UBSRD-HT/HT1 exceeds I.R.I (Industrial Risk Insurers) guidelines as "Power Ventilator for Smoke Control Systems."

Features	UBSRD-HT	UBSRD-HT1
165°F (74°C) Fusible Link and Spring Damper Lifters		•
Belt tube with heat shield	•	•
Dual Drives	•	•
High Temperature Bearing Grease	•	•

The heavy-gauge design allows for years of standard commercial use and the dependability required in a fire emergency. The upblast configuration exhausts heat and smoke high above the roof line aiding in the access and capabilities of firefighters. Unlike complete design dependence on gravity vents which are sometimes limited by air temperature and wind velocity, the UBSRD-HT/HT1 in conjunction with gravity vents, will more effectively remove smoke, hot air, and gases when used in a properly designed system. With the UBSRD-HT1 unit, in the event of electrical failure, the 165°F fusible link will activate the spring assisted damper doors to provide gravity ventilation. Fan CFM, sizing and location for both exhaust and supply air are an important part of the overall heat and smoke venting building design needs. Refer to I.R.I., NFPA (National Fire Protection Association), and local fire codes for help in proper system design. Final approval for the complete system design should be authorized by the local authority having jurisdiction.

Fan selections are available in 24, 30, 36, 42, 48, 54 and 60 inch sizes. Horsepower and CFM range to 52,000 CFM and 10HP. Units are tested in accordance with AMCA Standard 301 (sound) and AMCA 210 (air) in an AMCA certified laboratory. Every unit is completely assembled and factory tested for quality assurance prior to shipment.

1 year fan housing warranty, 1 year motor warranty



CONSTRUCTION/SPECIFICATION CHECKLIST

1. Successfully heat tested by independent laboratory for;
 - (a) 1000°F for 15 minutes.
 - (b) 500°F for minimum 4 hours.
2. All ferrous construction in airstream.
3. 165°F fusible link in damper spring mechanism (HT1 unit only).
4. Motor out-of-airstream design.
5. Belt & bearings enclosed in ventilated housing.
6. Minimum dual groove drive/belt combination.
7. Shaft heat slinger.
8. Belt tube and cover standard.
9. Die formed, heavy-gauge, epoxy coated, steel blades.
10. High temp grease.

Drives

Motors, bearings and belt are shielded from the airstream by a sheet metal enclosure, with cooling provided by fresh outside air. Drives are fixed, sized for a minimum 150% of drive horsepower. Drives are minimum dual groove sheaves. Adjustable sheaves are available as an option. Bearings are heavy-duty cast iron, pillow block with relubricable fittings. Standard bearings are designed for minimum 200,000 hour, L50 life. All shafts are turned, ground and polished steel coated with an anti-rust compound to resist corrosion.

Electrical Power

Electrical power should be independent of the general building. Wiring requires special, heat resistant qualities as determined by local fire codes. Switching should always be arranged so that automatic start-up can be achieved through safety devices such as, but not limited to, sprinkler systems and smoke or heat sensors.

High Temperature Option

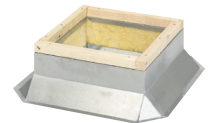
500°F (260°C) for a minimum of 4 hours

1000°F (538°C) for a minimum of 15 minutes

This construction exceeds specifications for IRI requirements of 500°F (260°C) air for a minimum of 4 hours and the SBCCI "Standard Fire Prevention Code" requirements of 1000°F (538°C) for a minimum of 15 minutes in emergency smoke removal applications. In addition, this construction exceeds British Standards 7346 Class B (250°C for 2 hours), Class C (300°C for 15 minutes), and Class D (300°C for 1 hour) temperature requirements. Temperature ratings tested in accordance to UL smoke control systems.

OPTIONS/ACCESSORIES

Roof Curb: Prefabricated heavy-gauge galvanized steel, welded construction, 12" high with 1-1/2" wood nailer. Options include burglar bars, single and double pitch construction, and additional curb heights.



Disconnect Switch: Nonfused safety disconnects are available for all motor sizes in rain-tight or open enclosures.

Outlet Guard: 1/2" x 1" wire mesh guard will prevent birds and other objects from entering fan.

Propeller Blade Side Safety Guard: 1/2 x 1" galvanized wire guard. **Important:** For all nonducted applications, the manufacturer recommends that a safety guard must be installed as a safety precaution for personnel below unit.

Special Coatings: Powered roof exhausters often require special coatings for protective and decorative purposes. Available coatings include: Synthetic Resin, Epoxy, and Heresite (air-dried phenolic). Contact your representative or the factory for more information on available coatings and colors.



PERFORMANCE DATA

Model	Motor HP	RPM	Max. BHP	Sones @ .375	CFM @ Static Pressure in Inches of Water										
					0.000	0.100	0.125	0.150	0.200	0.250	0.300	0.375	0.500	0.625	0.750
24L	1/2	989	0.55	17	6153	5747	5645	5511	5244	4977					
	3/4	1123	0.82	22	6987	6629	6539	6435	6227	6019	5761	5373			
	1	1233	1.1	23	7671	7345	7263	7179	7012	6845	6614	6267	5580		
	1-1/2	1415	1.65	28	8800	8516	8445	8374	8231	8089	7920	7667	7163	6593	
30L	3/4	850	0.82	17	10257	9359	9134	8795	8118	7440					
	1	931	1.1	21	11224	10426	10227	9950	9396	8842	7950	6611			
	1-1/2	1065	1.65	25	12847	12189	12024	11814	11394	10974	10397	9531	7404		
	2	1180	2.2	29	14235	13675	13535	13350	12979	12608	12176	11529	10119		
30H	2	1286	2.2	34	13082	12604	12484	12364	12125	11886	11594	11156			
	3	1470	3.3	47	14959	14541	14436	14331	14122	13912	13690	13357	12706		
	5	1736	5.5	49	17664	17310	17221	17132	16955	16778	16601	16335	15874	15322	14697
36L	1	641	1.1	21	13232	12196	11937	11622	10991	10361	6217				
	1-1/2	727	1.65	25	15018	14137	13917	13661	13148	12636	11969	10969			
	2	810	2.2	29	16726	15936	15738	15516	15071	14626	14145	13423			
	3	926	3.03	36	19128	18437	18264	18080	17713	17345	16943	16340	15239		
36H	3	1016	3.3	41	19050	18274	18080	17870	17449	17029	16556	15846	14267	12076	
	5	1205	5.5	57	22599	21945	21781	21615	21282	20950	20583	20032	19094	17763	16282
42L	1	495	1.1	23	15823	13994	13537	12974	11847						
	1-1/2	562	1.65	28	17965	16347	15942	15487	14576	13666					
	2	623	2.2	35	19920	18453	18086	17707	16950	16192					
	3	711	3.3	38	22724	21438	21116	20801	20170	19539	18804	17702			
	5	784	4.5	42	25056	23890	23598	23310	22733	22157	21549	20638	18853		
42H	5	1004	5.5	50	26457	25702	25513	25288	24839	24389	23890	23141	21942	20643	18996
	7-1/2	1155	7.88	53	30440	29784	29620	29454	29121	28788	28339	27665	26596	25568	24449
48L	1-1/2	460	1.65	22	21919	19765	19227	18470	16957	15444					
	2	514	2.2	23	24507	22581	22100	21504	20311	19119					
	3	579	3.3	26	27616	25907	25480	25004	24053	23102	21872	20026			
	5	670	5.1	33	31937	30459	30090	29721	28982	28243	27308	25905	23195	20385	
48H	5	791	5.5	40	32797	30939	30474	30136	29461	28786	27950	26696	24225		
	7-1/2	908	8.25	48	37629	35906	35475	35172	34565	33958	33369	32486	30522	28440	
	10	970	10.1	50	40214	38602	38199	37896	37289	36682	36131	35305	33727	31778	29735
54L	1-1/2	402	1.65	16	24586	21026	20136								
	2	442	2.2	17	27060	23788	22970	21627	18942	16256					
	3	504	3.3	19	30851	27673	26879	26109	24570	23031	20309	16227			
	5	600	5.5	25	36726	33989	33305	32818	31844	30870	29178	26640	20018		
54H	3	633	3.3	37	30726	28700	28194	27748	26856	25964	24765	22967			
	5	771	5.5	51	37430	35799	35391	34990	34187	33385	32652	31553			
	7-1/2	882	8.25	54	42804	41386	41032	40659	39912	39165	38537	37596	35925		
	10	939	10.5	57	45565	44233	43900	43553	42858	42163	41533	40589	39167	37334	35314
60L	3	418	3.3	24	37362	33644	32715	31036	27677	24318	21876	18214			
	5	495	5.49	26	44233	41132	40357	39495	37771	36047	32622	27485	22405		
	7-1/2	555	8.15	35	50459	47741	47062	46356	44943	43530	41464	38364	30821	26382	
60H	3	564	3.3	37	36030	33791	33231	32388	30702	29016					
	5	664	5.5	47	42397	40441	39952	39405	38310	37216	35553	33058			
	7-1/2	744	8.25	51	47555	45805	45368	44965	44160	43354	41982	39924	36140	32640	27799
	10	817	10.5	54	52173	50579	50180	49803	49048	48293	47339	45907	42619	39077	35879

Performance shown is for roof ventilators for installation type A: Free inlet, Free outlet. The power rating (BHP) does not include drive losses. Performance ratings do not include the effects of appurtenances in the airstream.

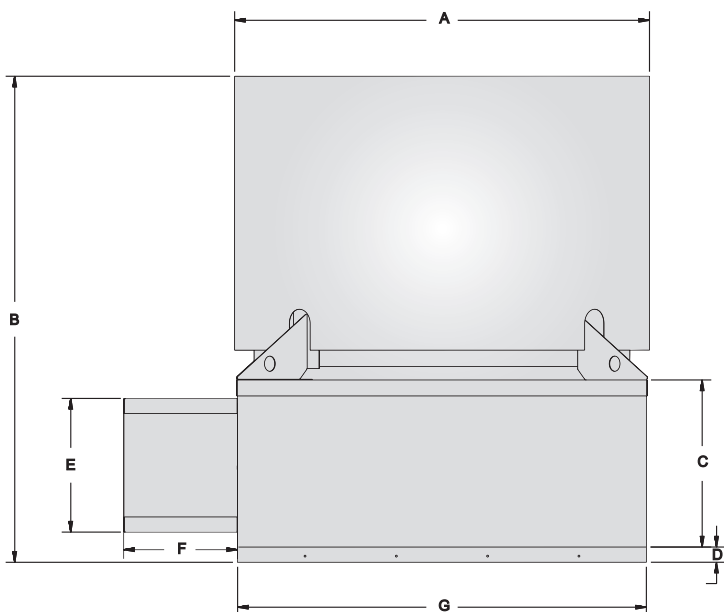
Sound ratings are loudness values in fan sones at 5 feet (1.5m) in a hemispherical free field calculated per AMCA Standard 301. Values are for installation type A: Free inlet fan sone levels.

Due to air stream cooling, the motor loading into the service factor shown does not overheat the motor and is within NEMA recommended limits. BHP at most static pressure points is less than the maximum power shown - in many cases substantially less. Please refer to the Optimizer Selection Program for additional sound data and for selections at other static pressures, and to see the exact BHP for your selection.





DIMENSIONS



Model Number Code
 The model number code is designed to completely identify the fan. Below is a detailed explanation of the model number codes:

UBS RD HT - 36 L

Uplblast Propeller Roof Fan (UBS)
 Motor out-of-airstream (RD)
 Level of Construction (HT or HT1) (HT)
 Fan Size (36)
 Propeller Type L-Low H-High (L)

Model	A	B	C	D	E	F	G	H	I	Wt. (lbs)
24	30	49	22	2	17-1/2	15	29-1/2	28-1/2	25-1/2	310
30	36	52	22	2	17-1/2	15	35-1/2	34-1/2	31-1/2	340
36	42	58	22	2	17-1/2	15	41-1/2	40-1/2	37-1/2	430
42	48	61	22	2	17-1/2	15	47-1/2	46-1/2	43-1/2	490
48	54	64	22	2	17-1/2	15	53-1/2	52-1/2	49-1/2	640
54	60	67	22	2	17-1/2	15	59-1/2	58-1/2	55-1/2	840
60	66	70	22	2	17-1/2	15	65-1/2	64-1/2	61-1/2	1000

- A - Outside Diameter Windband
- B - Total Height of Unit
- C - Housing Height
- D - Curb Cap Depth
- E - Motor Cover Height
- F - Motor Cover Width
- G - Inside Dimension of Square Curb Cap
- H - OD of factory built prefab curb.
- I - Recommended roof opening (inside dimension of factory built prefab curb.)

Model	Windband (galv)	Curb Cap (Galv)	Butterfly Damper		Housing (galv)	Drive Support Channel	Channel Support	Motor Bracket	Drive Shaft Size	Max Motor Frame Size
			Galv	Alum	Front/Back					
24	20	14	20	0.04	18	12	12	10	1	145T
30	20	14	20	0.04	18	12	12	10	1	184T
36	20	14	20	0.04	18	12	12	10	1	184T
42	20	14	20	0.04	18	12	12	10	1-7/16	215T
48	20	14	20	0.04	18	12	12	10	1-7/16	215T
54	20	14	20	0.04	18	12	12	10	1-7/16	215T
60	20	14	20	0.04	18	12	12	10	1-7/16	215T

MODELS UBB & UBX

UPBLAST PROPELLER ROOF EXHAUSTERS

BELT AND DIRECT DRIVE



MODEL FEATURES

- Exhaust air up to 78,000 CFM in static pressure applications up to 1/2" w.g.
- Straight-through air flow design results in maximum exhaust efficiency
- Belt drives permit easy performance adjustments when needed
- Direct drive units have low sound levels and quiet operation
- cULus 705 Listed

MODEL OPTIONS

MODEL NAME	DESCRIPTION
UBB	Belt Drive Upblast Propeller Roof Exhauster
UBX	Direct Drive Upblast Propeller Roof Exhauster

MODEL OVERVIEW

Models UBB and UBX are high capacity roof mounted exhausters rated from 5,900 to 78,000 CFM. They are general ventilation units designed to economically remove large volumes of air, fumes and vapors from commercial and industrial buildings such as warehouses, manufacturing and assembly plants, distribution centers, chemical plants, foundries and paper mills.

Straight-through air flow design results in maximum exhaust efficiency. During operation, high air flow velocity opens butterfly dampers and prevents rain or snow from entering. Dampers close and cover the venturi opening when unit is not in use.

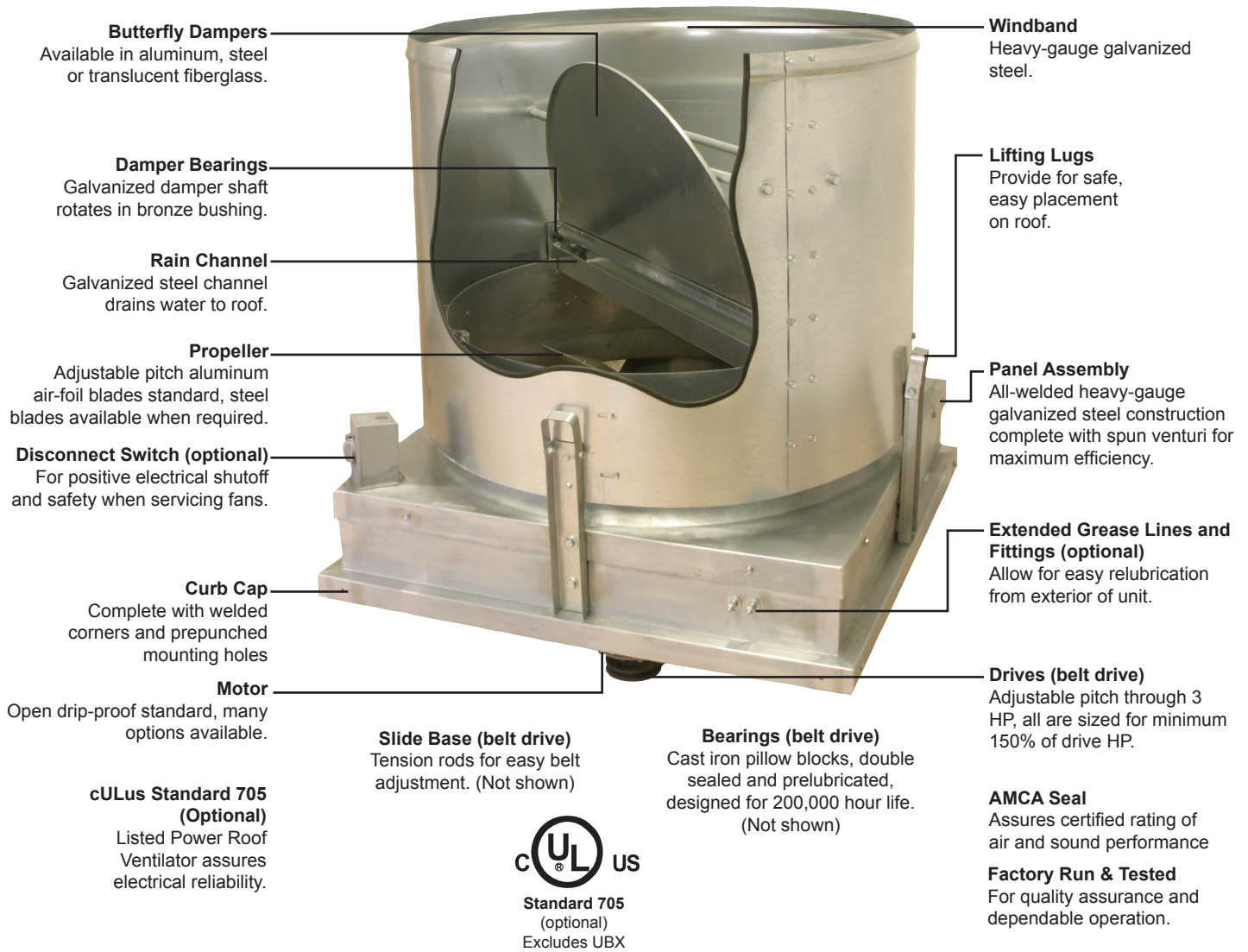
The roof mounted location eliminates interference with processes and equipment inside the building. It also permits locating the exhauster over a source of heated or contaminated air, allowing direct upward venting to the outside, unlike wall mounted exhausters which may move contaminated air through adjacent work spaces.

Belt drive units usually operate more quietly and afford easier performance adjustments, while direct drive models require less maintenance.

2 year fan housing warranty, 1 year motor warranty



CONSTRUCTION FEATURES AND OPTIONS



Butterfly Dampers
Available in aluminum, steel or translucent fiberglass.

Windband
Heavy-gauge galvanized steel.

Damper Bearings
Galvanized damper shaft rotates in bronze bushing.

Lifting Lugs
Provide for safe, easy placement on roof.

Rain Channel
Galvanized steel channel drains water to roof.

Propeller
Adjustable pitch aluminum air-foil blades standard, steel blades available when required.

Panel Assembly
All-welded heavy-gauge galvanized steel construction complete with spun venturi for maximum efficiency.

Disconnect Switch (optional)
For positive electrical shutoff and safety when servicing fans.

Extended Grease Lines and Fittings (optional)
Allow for easy relubrication from exterior of unit.

Curb Cap
Complete with welded corners and prepunched mounting holes

Motor
Open drip-proof standard, many options available.

Slide Base (belt drive)
Tension rods for easy belt adjustment. (Not shown)

Bearings (belt drive)
Cast iron pillow blocks, double sealed and prelubricated, designed for 200,000 hour life. (Not shown)

Drives (belt drive)
Adjustable pitch through 3 HP, all are sized for minimum 150% of drive HP.

cULus Standard 705 (Optional)
Listed Power Roof Ventilator assures electrical reliability.



AMCA Seal
Assures certified rating of air and sound performance

Factory Run & Tested
For quality assurance and dependable operation.



CONSTRUCTION/SPECIFICATION CHECKLIST

Panel Assembly

- Heavy-gauge G90 galvanized steel panel on all sizes.
- One piece venturi for maximum efficiency.
- All welded support structure of schedule 40 galvanized pipe.
- Motor/bearing plates of minimum 10 gauge galvanized steel.

Windband/Butterfly Dampers

- Heavy-gauge galvanized steel windband.
- Steel dampers standard (except on sizes 48-72).
- Translucent fiberglass dampers available on all sizes (standard on sizes 48-72).
- Galvanized rain channel drains water from damper area to roof.
- Galvanized damper shaft rotates in bronze bushing.

Propeller

- Two, three, four or six airfoil aluminum blades.
- Steel hub plate with steel taper lock bushing.
- Adjustable pitch for optimum efficiency.
- Die formed steel blades are optional where required.

Drives (belt drive models)

- Sized for minimum 150% of drive horsepower.
- Single belt adjustable pitch sheaves through 3HP.
- Two belt fixed pitch sheaves through 10HP.
- Three belt fixed pitch sheaves on 15 HP.
- Adjustable pitch sheaves are optional above 3HP.
- Adjustable tension rods for belt adjustment.
- Nonstatic oil resistant v-belts.
- Keyed, turned, ground and polished shafts.

Bearings

- Bearings designed for minimum 200,000 hour life, L50.
- Cast iron self-aligning pillow block ball bearings.
- Bearings are sealed, prelubricated with relube fittings.

Motors

- Brands are nationally recognized and locally serviced.
- Open drip-proof construction is standard.
- High-efficiency, explosion proof, totally enclosed fan cooled (TEFC) and corrosion duty motors can be specified.

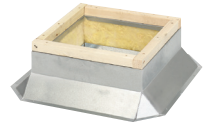
Certifications

- AMCA Air & Sound Licensed.
- cULus 705 listed power roof ventilator assures electrical reliability (optional). Excludes UBX.



OPTIONS/ACCESSORIES

Roof Curb: Prefabricated heavy-gauge galvanized steel, welded construction, 12" high with 1-1/2" wood nailer. Options include burglar bars, single and double pitch construction, and additional curb heights.



Disconnect Switch: Nonfused safety disconnects are available for all motor sizes in rain-tight or open enclosures.

Magnetic Latches: Help reduce damper chatter when the units are not in operation.

Heat/Smoke Vent: Opens damper doors when temperature exceeds 165°F. Allows heat and smoke to escape building without use of fan power.

Outlet Guard: 1/2" x 1" wire mesh guard will prevent birds and other objects from entering fan.

Extended Grease Lines: Extended grease lines allow fan bearings to be relubricated from the exterior.

Aluminum Construction: Optional aluminum construction available on windbands, curb caps, panel and blades.

Special Coatings: Powered roof exhausters often require special coatings for protective and decorative purposes. Available coatings include: Synthetic Resin, Epoxy, and Heresite (air-dried phenolic). Contact your representative or the factory for more information on available coatings and colors.



PERFORMANCE

UBB - Belt Drive

Model UBB	CFM @ Static Pressure					HP	RPM	Blades / Pitch	Max. BHP	Sones @ 5 ft.
	0	1/8	1/4	3/8	1/2					
24	7180	6500	5720	4800	-	3/4	1210	3	0.82	22
	7920	7300	6610	5880	-	1	1335	3	1.11	25
	9080	8550	7960	7340	6600	1-1/2	1525	3	1.65	32
	10000	9500	9000	8450	7900	2	1680	3	2.21	37
30	9398	8323	7039	5381	3254	1	960	3	1.14	25
	10670	9740	8685	7436	5389	1-1/2	1090	3	1.67	33
	11747	10910	9987	8941	7716	2	1200	3	2.23	39
	13411	12686	11907	11059	10118	3	1370	3	3.33	46
36	13279	11086	-	-	-	1	700	3	1.26	21
	15081	13170	11062	-	-	1-1/2	795	3	1.85	27
	16978	15289	13502	11351	-	2	895	3	2.64	32
	19349	17872	16345	14714	12675	3	1020	3	3.91	37
42	19800	16800	-	-	-	1-1/2	640	3	1.68	25
	22100	19300	16000	-	-	2	710	3	2.30	30
	25000	22600	19800	16800	-	3	805	3	3.35	37
	29700	27600	25300	23000	20300	5	950	3	5.51	45
48	26300	22500	17600	-	-	2	575	3	2.31	25
	30200	26700	22700	17800	-	3	655	3	3.41	34
	35500	32500	29400	25800	21500	5	770	3	5.54	45
	40600	38000	35300	32600	29300	7-1/2	880	3	8.27	54
54	44800	42500	40100	37500	34800	10	970	3	11.07	60
	35000	30200	24200	-	-	3	545	3	3.39	28
	41200	36900	32500	27000	-	5	640	3	5.49	40
	47200	43700	39800	35700	30900	7-1/2	735	3	8.32	50
60	51800	48500	45000	41300	37400	10	805	3	10.92	58
	48200	42600	36000	27800	-	5	550	3	5.50	38
	55200	50300	45000	38800	-	7-1/2	630	3	8.27	51
	61000	56600	51900	46700	40700	10	695	3	11.10	60
72	61700	51900	40500	-	-	5	410	3	5.47	31
	70700	62300	53200	-	-	7-1/2	470	3	8.24	42
	70800	62800	52800	53300	-	10	520	3	11.15	50

Performance shown is for installation type A: free inlet, free outlet Power Rating (BHP) does not include transmission losses.

Performance ratings do not include the effects of appurtenances in the airstream.

The sound ratings shown are loudness values in fan sones at 1.5 m (5 ft) in a hemispherical free field calculated per AMCA International Standard 301. Values shown are for: Installation Type A: free inlet hemispherical sone levels. The AMCA ratings sound seal applies to sone ratings only.



UBX - Direct Drive

Model UBX	CFM @ Static Pressure					HP	RPM	Blades / Pitch	Max. BHP	Sones @ 5 ft.
	0	1/8	1/4	3/8	1/2					
24	5900	5200	-	-	-	1/2	870	6	0.54	15
	6300	5400	-	-	-	1/2	1160	2	0.55	18
	6900	6300	5600	-	-	3/4	1160	3	0.81	22
	7400	6900	6400	5700	-	1	1160	6	1.10	23
	6600	6100	5500	4900	-	3/4	1750	2	0.82	30
	7500	7100	6500	5900	5200	1	1750	2	1.09	32
	9100	8500	7900	7300	6600	1-1/2	1750	2	1.63	36
	7700	7200	6800	6300	5800	2	1750	3	1.86	42
	11200	10800	10400	10000	9700	3	1750	4	3.30	54
30	10100	8700	-	-	-	3/4	870	4	0.83	21
	10600	9400	7900	-	-	1	870	6	1.11	22
	9800	8500	-	-	-	3/4	1160	2	0.81	27
	10900	9600	8300	-	-	1	1160	2	1.08	30
	12300	11300	10100	8600	-	1-1/2	1160	3	1.62	34
	13800	12900	11900	10700	-	2	1160	4	2.20	37
	10800	10000	9100	8200	9100	1-1/2	1750	2	1.65	44
	12800	12000	11200	10400	9500	2	1750	2	2.19	48
	15800	15000	14100	13200	12300	3	1750	2	3.30	58
	18600	17900	17200	16500	15600	5	1750	3	5.51	70



JencoFan, Div. of Soler & Palau Ventilation Group, certifies that the Models UBB and UBX shown herein are licensed to bear the AMCA Seal. The ratings shown are based on test and procedures performed in accordance with AMCA Publication 211 and AMCA Publication 311 and comply with the requirement of the AMCA Certified Ratings Program.

Performance certified is for installation type A - free inlet, free outlet. Performance ratings do not include the effects of appurtenances in the airstream. The sound ratings shown are loudness values in fan sones @ 5' (1.5m) in a hemispherical free field calculated per AMCA Standard 301. Values shown are for: Installation Type A: free inlet hemispherical sone levels Speed (RPM) shown is nominal. Performance is based on actual speed of test.



UBX - Direct Drive (Cont.)

Model UBX	CFM @ Static Pressure					HP	RPM	Blades / Pitch	Max BHP	Sones @ 5 ft.
	0	1/8	1/4	3/8	1/2					
36	14200	12000	-	-	-	1	870	2	1.10	23
	15900	14300	12500	-	-	1-1/2	870	4	1.64	25
	17700	16200	14300	12400	-	2	870	4	2.17	33
	18900	17700	16300	14800	12700	3	870	6	3.24	36
	15700	14200	12400	-	-	1-1/2	1160	2	1.65	36
	17600	16000	14300	12200	-	2	1160	2	2.19	38
	20000	18400	16700	14900	12700	3	1160	2	3.32	42
	23000	22000	20700	19400	18000	5	1160	4	5.40	58
	17900	16700	15500	14300	13100	3	1750	2	3.26	75
	23700	22800	21700	20700	19500	5	1750	2	5.60	77
27400	26500	25300	24200	23100	7-1/2	1750	2	8.20	78	
42	20400	17800	14000	-	-	1-1/2	870	2	1.60	28
	22800	19800	16700	-	-	2	870	2	2.24	31
	25400	23500	21400	19100	15900	3	870	4	3.27	33
	20800	18700	16200	13300	-	2	1160	2	2.23	42
	25200	23200	20900	18300	15000	3	1160	2	3.18	44
	30800	28300	26000	23600	21500	5	1160	2	5.58	50
	34600	33300	31800	30200	28500	7-1/2	1160	4	8.20	58
	32800	30000	30000	28500	-	7-1/2	1750	2	8.15	92
48	26200	22800	19700	-	-	2	870	2	2.17	33
	30800	27200	23200	18600	-	3	870	2	3.35	38
	36300	33500	30500	27000	21500	5	870	3	5.60	42
	40300	37700	34800	31800	27600	7-1/2	870	3	8.27	48
	27900	25000	22100	19700	-	3	1160	2	3.40	49
	35900	33500	31000	28900	24300	5	1160	2	5.55	57
	41800	39300	36500	33900	30700	7-1/2	1160	2	8.23	67
	45800	43000	40200	37400	34500	10	1160	2	11.10	69
54	35700	31600	26700	19400	-	3	870	2	3.28	47
	43900	39200	34600	29300	21900	5	870	2	5.55	54
	48900	45500	41900	38100	33300	7-1/2	870	3	8.32	59
	38500	35200	31800	28300	25000	5	1160	2	5.55	68
	49200	46400	43000	39700	35700	7-1/2	1160	2	8.40	75
	55600	52500	49200	46400	41900	10	1160	2	11.20	77
60	57200	52600	47500	41800	35100	7-1/2	870	2	8.30	64
72	65500	59000	52000	44000	-	7-1/2	870	2	8.24	78

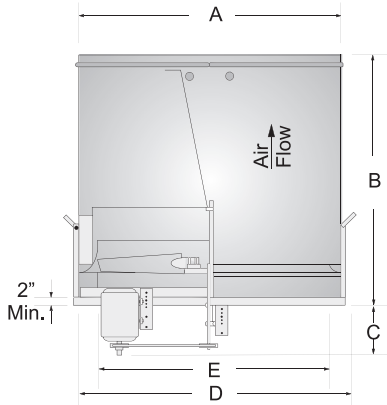
Performance certified is for installation type A - free inlet, free outlet. Performance ratings do not include the effects of appurtenances in the airstream. The sound ratings shown are loudness values in fan sones @ 5' (1.5m) in a hemispherical free field calculated per AMCA Standard 301. Values shown are for: Installation Type A: free inlet hemispherical sone levels Speed (RPM) shown is nominal. Performance is based on actual speed of test.



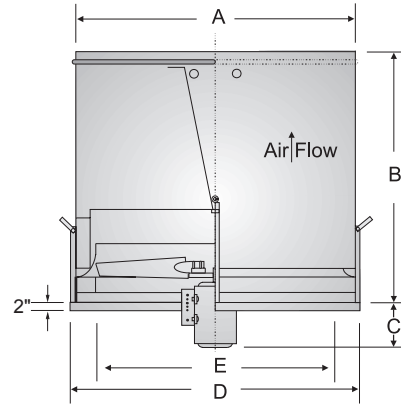
JencoFan, Div. of Soler & Palau Ventilation Group, certifies that the Models UBB and UBX shown herein are licensed to bear the AMCA Seal. The ratings shown are based on test and procedures performed in accordance with AMCA Publication 211 and AMCA Publication 311 and comply with the requirement of the AMCA Certified Ratings Program.



DIMENSIONS



Model UBB - Belt Drive



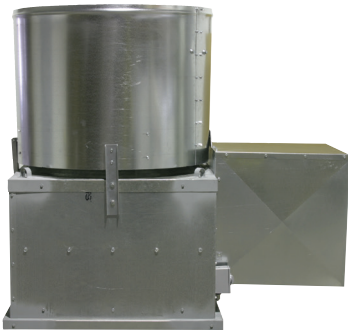
Model UBX - Direct Drive

Size	Dimensions (Inches)							Metal Gauges			Avg. Wt.
	A	B	C	D Sq.	E Sq.	F Sq.	G Sq.	Wind-band	Curb Cap	Fan Panel	
24	30	33	16	32	24	31	28	18	16	16	310
30	36	36	17	38	30	37	34	18	16	16	340
36	42	38	17	44	36	43	40	18	16	16	430
42	48	41	18	50	42	49	46	18	16	16	490
48	54	44	22	56	48	55	52	18	14	16	640
54	60	47	22	62	54	61	58	18	14	14	840
60	66	50	22	68	60	67	64	18	14	14	1000
72	80	56	31	82	72	81	78	18	12	12	1550

- A** - Outside dimension of windband.
- B** - Height of unit above curb cap.
- C** - Maximum depth of unit below top of curb, actual depth varies with motor size.
- D** - Inside dimension of square curb cap.
- E** - Minimum inside dimension of curb opening required for adequate clearance of fan frame.
- F** - Outside dimension of factory built pre-fab curb.
- G** - Recommended roof opening (inside dimension of factory built prefab curb.)

MODEL UBRD

REMOTE DRIVE UPBLAST PROPELLER ROOF EXHAUSTER



MODEL FEATURES

- Exhaust air up to 72,000 CFM in static pressure applications up to 1/2" w.g.
- Straight-through air flow design results in maximum exhaust efficiency
- Motor and drives are located outside of the exhaust airstream
- Belt drives permit easy performance adjustments when needed
- cULus 705 Listed

MODEL OVERVIEW

Model UBRD units are high capacity belt driven roof mounted exhausters rated from 4,500 to 72,000 CFM. The motor and drives are located outside of the exhaust airstream, making these units especially suited for the removal of heated or contaminated air from commercial and industrial buildings or processes where these conditions exist. All models are capable of continuous operation exhausting air to 200°F.

The remote drive construction allows for easy rooftop belt and motor access for maintenance. For increased air performance (in clean conditions) with the same easy maintenance access, the UBRD is available without the belt and bearing enclosures.

Straight-through air flow design results in maximum exhaust efficiency. During operation, high air flow velocity opens butterfly dampers and prevents rain or snow from entering. Dampers close and cover the venturi opening when unit is not in use.

The roof mounted location eliminates interference with processes and equipment inside the building. It also permits locating the exhauster over a source of heated or contaminated air, allowing direct upward venting to the outside, unlike wall mounted exhausters which may move contaminated air through adjacent work spaces.

2 year fan housing warranty, 1 year motor warranty



CONSTRUCTION/SPECIFICATION CHECKLIST

Panel Assembly

- Heavy-gauge G90 galvanized steel panel, size 24-72.
- One piece venturi for maximum efficiency and strength.
- All welded support structure of schedule 40 galvanized pipe (minimum).
- Motor/bearing plates of minimum 10 gauge galvanized steel.

Windband/Butterfly Dampers

- Heavy-gauge galvanized steel windband.
- Steel dampers standard (except on sizes 48-72).
- Translucent fiberglass dampers available on all sizes (standard on sizes 48-72).
- Galvanized rain channel drains water from damper area to roof.
- Galvanized damper shaft rotates in bronze bushing.

Propeller

- Two, three, four or six airfoil aluminum blades.
- Steel hub plate with steel taper lock bushing.
- Adjustable pitch for optimum efficiency.
- Die formed steel blades are optional where required.

Drives

- Shielded from airstream by galvanized steel enclosure.
- Sized for minimum 150% of drive horsepower.
- Single belt adjustable pitch sheaves through 3HP.
- Two belt fixed pitch sheaves through 10HP.
- Adjustable pitch sheaves are optional above 3HP.
- Adjustable tension rods for belt adjustment.
- Nonstatic oil resistant v-belts.
- Keyed, turned, ground and polished shafts.

Bearings

- Bearings designed for minimum 200,000 hour life, L50.
- Cast iron self-aligning pillow block ball bearings.
- Bearings are sealed, prelubricated with relube fittings.

Motors

- Located outside airstream under weather cover.
- Brands are nationally recognized and locally serviced.
- Open drip-proof construction is standard.
- High-efficiency, explosion proof, totally enclosed fan cooled (TEFC) and corrosion duty motors can be specified.

Certifications

- cULus 705 listed power roof ventilator assures electrical reliability (optional).



OPTIONS/ACCESSORIES

Roof Curb: Prefabricated heavy-gauge galvanized steel, welded construction, 12" high with 1-1/2" wood nailer. Options include burglar bars, single and double pitch construction, and additional curb heights.



Disconnect Switch: Nonfused safety disconnects are available for all motor sizes in rain-tight or open enclosures.

Magnetic Latches: Help reduce damper chatter when the units are not in operation.

Heat/Smoke Vent: Opens damper doors when temperature exceeds 165°F. Allows heat and smoke to escape building without use of fan power.

Outlet Guard: 1/2" x 1" wire mesh guard will prevent birds and other objects from entering fan.

Extended Grease Lines: Extended grease lines allow fan bearings to be relubricated from the exterior.

Aluminum Construction: Optional aluminum construction available on windbands, curb caps, panel and blades.

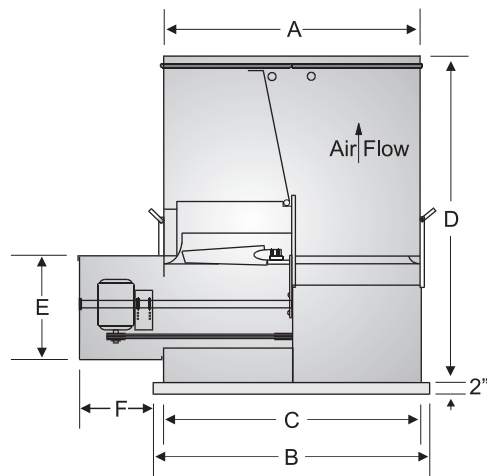
Special Coatings: Powered roof exhausters often require special coatings for protective and decorative purposes. Available coatings include: Synthetic Resin, Epoxy, and Heresite (air-dried phenolic). Contact your representative or the factory for more information on available coatings and colors.



PERFORMANCE

Model UBRD	CFM @ Static Pressure					HP	RPM	Blades / Pitch	Max BHP	Sones @ 5 ft.
	0	1/8	1/4	3/8	1/2					
24	6605	5980	5262	4416	-	3/4	1210	3	0.82	20
	7286	6715	6081	5410	-	1	1335	3	1.11	23
	8353	7866	7323	6752	6127	1-1/2	1525	3	1.65	30
	9200	8740	8280	7774	7268	2	1680	3	2.21	35
30	10230	9114	7812	-	-	1	960	3	1.15	23
	11625	10602	9579	8370	-	1-1/2	1090	3	1.69	31
	12741	11904	10881	9858	8742	2	1200	3	2.25	37
	14508	13764	12927	12090	11160	3	1370	3	3.35	44
36	12861	10752	-	-	-	1	700	3	1.10	19
	14688	12768	10656	-	-	1-1/2	795	3	1.57	25
	16512	14880	12960	10848	-	2	895	3	2.30	30
	18816	17280	15744	14112	12192	3	1020	3	3.48	35
42	18414	15624	-	-	-	1-1/2	640	3	1.68	23
	20553	17949	14880	-	-	2	710	3	2.30	28
	23250	21018	18414	15624	-	3	805	3	3.35	35
	27261	25668	23529	21390	18879	5	950	3	5.51	43
48	24196	20700	16192	-	-	2	575	3	2.31	23
	27784	24564	20884	16376	-	3	655	3	3.41	32
	32660	29900	27048	23736	19780	5	770	3	5.54	43
	37352	34960	32476	29992	26956	7-1/2	880	3	8.27	52
54	41216	39100	36892	34500	32016	10	970	3	11.07	58
	33250	28690	22990	-	-	3	545	3	3.39	26
	39140	35055	30875	25650	-	5	640	3	5.49	38
	44840	41515	37810	33915	29335	7-1/2	735	3	8.32	48
60	49210	46075	42750	39235	35530	10	805	3	10.92	56
	44826	39618	33480	25854	-	5	550	3	5.50	36
	51336	46779	41850	36084	-	7-1/2	630	3	8.27	49
72	56730	52638	48267	43431	37851	10	695	3	11.10	58
	57381	48267	37665	-	-	5	410	3	5.47	29
	65751	57939	49476	-	-	7-1/2	470	3	8.24	40
	72726	65844	58404	49569	-	10	520	3	11.15	48

DIMENSIONS



Model UBRD	Dimensions (Inches)						
	A	B	C	D	E	F	G
24	30	32	30	50	22	16	31
30	36	38	36	54	22	16	37
36	42	44	42	56	22	16	43
42	48	50	48	59	22	16	49
48	54	56	54	68	22	22	55
54	60	62	60	70	22	22	61
60	66	68	66	74	22	22	67
72	80	82	80	86	22	22	81

A - Outside dimension of windband. E - Height of motor cover.
 B - Inside dimension of square curb cap. F - Length of motor cover.
 C - Inside dimension of square fan base. G - Outside dimension of factory built prefab curb.
 D - Height of unit above curb.

MODEL TUB

TUBEAXIAL UPBLAST PROPELLER ROOF EXHAUSTER



MODEL FEATURES

- Exhaust air up to 60,116 CFM in static pressure applications up to 1" w.g.
- Straight-through air flow design results in maximum exhaust efficiency
- Motor and drives are located outside of the exhaust airstream
- Belt drives permit easy performance adjustments when needed
- cULus 705 Listed

MODEL OVERVIEW

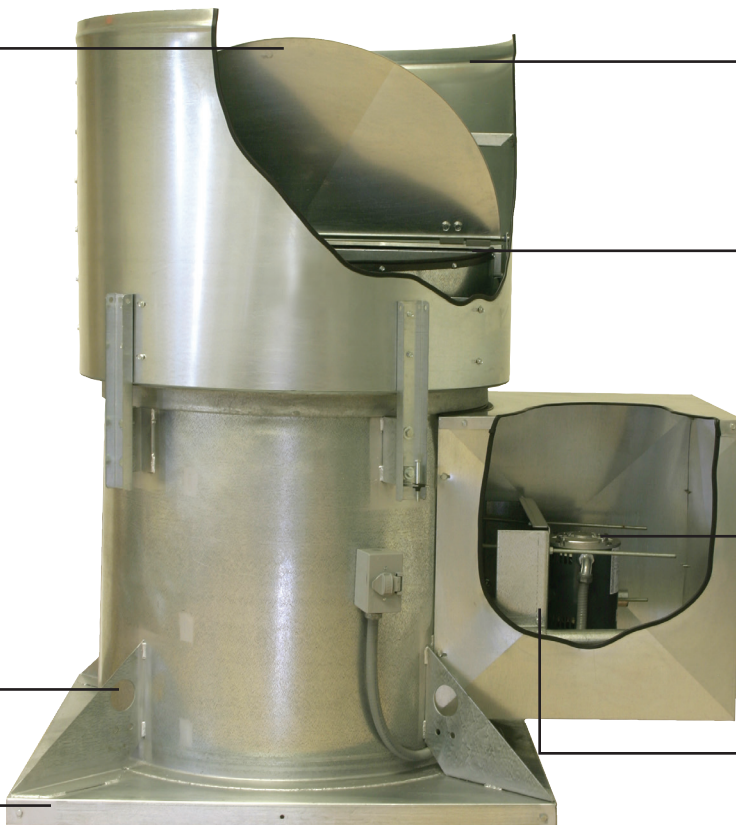
Model TUB is designed for high capacity industrial and commercial roof exhaust applications. The remote drive configuration of the TUB is especially suited for the removal of fumes, vapors, steam, dust, smoke and contaminated or heated air. Belt drive models are available for continuous operation in air temperatures to 200°F. For temperature ratings to 1000°F and/or IRI requirements refer to Model TUB-HT

Capacities range from 6,210 to 60,116 CFM and up to 1" static pressure. Fan selections are available in 24, 30, 36, 42, 48, 54 and 60 inch sizes. Horsepowers range from 3/4 to 15HP. Blade selections are available in aluminum, steel, or fiberglass reinforced polypropylene (see capacity charts for performances). Units are tested in accordance with AMCA 301 (sound) and AMCA 210 (air) in an AMCA certified laboratory. Every unit is completely assembled and factory tested for quality assurance prior to shipment.

2 year fan housing warranty, 1 year motor warranty



CONSTRUCTION FEATURES AND OPTIONS



Butterfly Dampers

Available in steel or fiberglass.

Blades

Statically and dynamically balanced aluminum airfoil extrusion or polypropylene propellers for optimum performance. High temperatures fans use steel blades.

Damper Bearings

Damper doors pivot on a galvanized steel shaft rotating in two bronze bushings.

Lift Points

For easy, safe roof placement.

Curb Cap

Heavy-gauge galvanize with integral inlet.

Bearings & Shaft

200,000 hour bearings and turned, ground and polished shafting.

Factory Run & Tested

Assures dependable operation.

Windband

Heavy-gauge galvanized steel.

Rain Channel

Galvanized metal channel section drains water out of the fan area when the damper doors are closed.

Motors

ODP, 2-speed, TEFC, corrosion duty, or explosion proof.

Motor Slide Base

For ease of belt adjustment.

Drives

Variable pitch through 3HP and fixed pitch sheaves 5HP and larger. High temperature fan uses minimum dual groove sheaves.



CONSTRUCTION/SPECIFICATION CHECKLIST

Construction

The TUB series is built with heavy-gauge steel to provide years of reliable service. Tubes 24-60" (to 10HP) are G-90 galvanized steel. Sizes 24-60" have rolled 2" flanged ends.

The TUB series is also available in aluminum construction sizes 24-48" with welded aluminum angle flanges on each end.

Upblast fans include a heavy-gauge galvanized steel windband with pressure operated damper doors. A galvanized channel section drains water out of the fan area when the damper doors are closed.

All fans are available in epoxy, heresite or polyester resin finishes. Special colors can be ordered. Contact your representative for the cost and finish best suited for your application.

Blades

For versatility, blades are offered in special high-strength, adjustable pitch aluminum airfoil, or adjustable pitch fiberglass reinforced polypropylene. TUB units with special steel blades are available upon request. These styles were selected to provide optimum performance and strength at low to moderate noise levels. Refer to the performance tables for the best selection.

The adjustable pitch aluminum airfoil propeller performs over a wide range of static pressures. This blade's strength is derived from matching T-6061 extruded aluminum airfoil sections to a heavy steel plate hub. All JencoFan blades are statically and dynamically balanced.

The highly corrosive resistant polypropylene blade's efficiency is due to the uniform twisting of the airfoil section over its entire length, resulting in less turbulence. The operating parameters are -40°F to 185°F ambient temperatures. Hubs are produced from die cast aluminum resulting in a light weight, high strength factory adjustable pitch blade.

Drives

This belt drive model comes with 200,000 hour L50 relubricable pillow block bearings and remote grease lines as a standard feature. Bearings and drives are isolated from the airstream by bolted, heavy-gauge galvanized belt tubes and bearing covers. Belt drive models through 3HP ship with variable pitch pulleys; over 3HP have fixed pulleys. The motor base slides for easy belt adjustment. All units are factory assembled and test run for quality assurance.

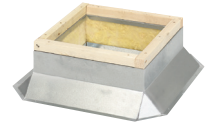
Motors

Motors used in the TUB series are heavy-duty, nationally recognized, with nationwide service centers. Standard motors are open drip-proof (ODP). High efficiency, totally enclosed fan cooled (TEFC), explosion proof, and corrosion duty motors are available as an option.

Fan shafts shall be turned, ground and polished steel coated with an anti-rust compound to resist corrosion.

OPTIONS/ACCESSORIES

Roof Curb: Prefabricated heavy-gauge galvanized steel, welded construction, 12” high with 1-1/2” wood nailer. Options include burglar bars, single and double pitch construction, and additional curb heights.



Outlet Guard: 1/2” x 1” wire mesh guard will prevent birds and other objects from entering fan.

Inspection Door: For inspection and blade service/cleaning.

Magnetic Latches: Helps reduce damper chatter when the unit is not in operation.

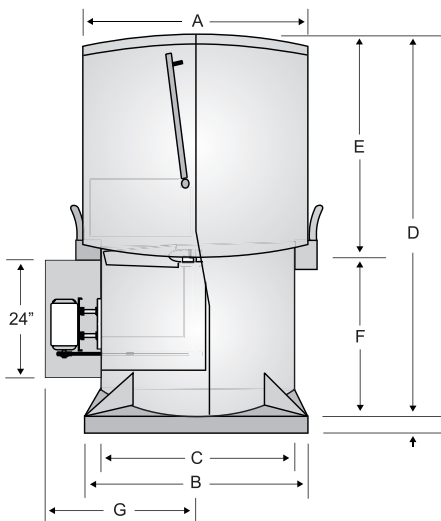
Heat/Smoke Vent: Opens damper doors when temperatures exceed 165°F. Allows heat and smoke to escape building without use of fan power.

Disconnect Switch: Nonfused safety disconnects are available for all motor sizes in rain-tight or open enclosures.

Aluminum Construction: Optional aluminum construction available on windbands, curb caps, panel and blades.

Special Coatings: Powered roof exhausters often require special coatings for protective and decorative purposes. Available coatings include: Synthetic Resin, Epoxy, and Heresite (air-dried phenolic). Contact your representative or the factory for more information on available coatings and colors.

DIMENSIONS



Model TUB	Dimensions (Inches)						
	A O.D. Windband	B sq. I.D. Curb Cap	C sq. Min. I.D. Opg	D Height	E Windband Height	F Tube Height	G (Max.)
24	30	35	25-1/8	55-1/2	25	30-1/2	37
30	36	41	31-1/8	58-1/2	28	30-1/2	40
36	42	47	37-1/8	60-1/2	30	30-1/2	43
42	48	53	43-1/8	65-1/2	33	32-1/2	46
48	54	59	49-1/8	68-1/2	36	32-1/2	49
54	60	65	55-1/8	71-1/2	39	32-1/2	52
60	66	71	61-1/8	74-1/2	42	32-1/2	55

Model TUB	Metal Gauges			Average Weight
	Fan Housing	Wind Shroud	Curb Cap	
24	12	18	14	500
30	12	18	14	600
36	12	18	14	1000
42	12	18	14	1100
48	10	18	14	1300
54	10	18	14	1580
60	10	18	10	1700

**PERFORMANCE****Model TUB-A - Belt Drive - Aluminum Blade**

Model TUB	CFM / BHP @ Static Pressure								HP	RPM	No. of Blades	Max. BHP	Sones @ 5 ft.
	0	1/8	1/4	3/8	1/2	5/8	3/4	1					
24	6210	5807	5171	4321	-	-	-	-	3/4	1200	3	0.83	19
	6805	6443	5948	5201	4415	-	-	-	1	1315	3	1.09	24
	7840	7537	7162	6651	5979	5306	4519	-	1-1/2	1515	3	1.65	29
	8668	8398	8081	7688	7156	6544	5936	4531	2	1675	3	2.22	38
30	9035	8175	6911	-	-	-	-	-	3/4	915	3	0.83	23
	9973	9213	8219	6789	-	-	-	-	1	1010	3	1.11	24
	11405	10755	9989	8955	7664	6304	-	-	1-1/2	1155	3	1.65	32
	12590	12009	11351	10554	9495	8312	7079	-	2	1275	3	2.21	38
	14318	13813	13262	12642	11903	10974	9935	7778	3	1450	3	3.22	45
36	13854	12440	10596	-	-	-	-	-	1	815	3	1.10	20
	15894	14689	13275	11404	9161	-	-	-	1-1/2	935	3	1.66	26
	17424	16337	15110	13611	11713	9660	-	-	2	1025	3	2.19	30
	19719	18769	17734	16568	15162	13476	11652	-	3	1160	3	3.14	36
	23798	23021	22201	21324	20373	19306	18074	15197	5	1400	3	5.47	68
	27028	26347	25639	24897	24114	23277	22371	20220	7-1/2	1590	3	7.97	89
42	14588	-	-	-	-	-	-	-	3/4	550	4	0.84	22
	16046	14024	11621	-	-	-	-	-	1	605	4	1.04	23
	18300	16539	14632	12265	-	-	-	-	1-1/2	690	4	1.57	24
	20157	18561	16898	14949	12723	-	-	-	2	760	4	2.11	29
	23074	21682	20029	18749	16978	15038	12727	-	3	870	4	3.28	36
	27349	26140	24961	23751	22474	21049	19441	15994	5	1030	4	5.17	45
	32037	30976	29849	28647	27358	25974	24473	21207	7-1/2	1310	3	7.87	57
48	20266	16694	-	-	-	-	-	-	1	500	4	1.12	24
	23104	20044	16726	-	-	-	-	-	1-1/2	570	4	1.67	25
	25536	22821	19815	16733	-	-	-	-	2	630	4	2.25	26
	29184	26863	24237	21647	18899	14356	-	-	3	720	4	3.33	35
	34656	32749	30623	28375	26210	23907	21375	-	5	855	4	5.51	43
	39519	37871	36068	34141	32163	30271	28304	23692	7-1/2	975	4	7.88	51
54	45327	43576	41742	39672	37424	35052	32652	28246	10	1175	4	10.87	73
	31028	26996	23045	19851	-	-	-	-	3	600	4	3.09	33
	38951	35127	30055	26760	24164	18353	-	-	5	710	4	5.32	44
	44741	41411	37455	32829	29414	26206	20758	-	7-1/2	850	3	7.91	54
60	49215	46040	42878	38781	34681	31975	29019	18913	10	935	3	10.89	62
	33008	22992	-	-	-	-	-	-	3	485	3	3.15	38
	39133	31577	24734	-	-	-	-	-	5	575	3	5.18	39
60	44918	38963	30343	27344	-	-	-	-	7-1/2	660	3	8.15	51
	49342	44124	36563	31592	-	-	-	-	10	725	3	10.93	59

Contact factory for alternate selections if required.

The sound ratings shown are loudness values in fan sones at 5 ft. (1.5m) in a hemispherical free field calculated per AMCA Standard 301 @ free air.

Brake horsepower does not include drive losses.

Values are installation Type A, free inlet fan sone levels.

Performance shown is for types and units without inlet or outlet ducts.

**Model TUB-P - Belt Drive - Polypropylene Blade**

Model TUB	CFM / BHP @ Static Pressure								HP	RPM	No. of Blades	Max. BHP	Sones @ 10 ft.
	0	1/8	1/4	3/8	1/2	5/8	3/4	1					
24	6350	5962	5491	4980	-	-	-	-	3/4	1275	6	0.75	17
	6998	6680	6180	5755	5268	4595	-	-	1	1390	6	1.00	20
	8265	7943	7615	7267	6873	6421	5382	-	1-1/2	1615	6	1.50	26
	9246	8996	8697	8408	8190	7731	6942	5382	2	1800	6	2.00	36
	10626	10323	10121	9875	9619	9342	8731	8042	3	2050	6	3.00	39
30	8697	7942	6919	-	-	-	-	-	3/4	975	6	0.75	19
	9775	9121	8323	7321	-	-	-	-	1	1080	6	1.00	20
	11515	10920	10321	9646	8797	7870	-	-	1-1/2	1250	6	1.50	24
	12821	12222	11727	11224	10523	9719	7823	-	2	1375	6	2.00	26
	14525	14029	13623	13124	12628	12031	10741	8914	3	1550	6	3.00	34
	17514	17112	16694	16301	15913	15491	14631	13585	5	1850	6	5.00	52
36	14809	13921	12488	11222	8630	-	-	-	1-1/2	930	6	1.50	24
	16823	16002	14911	13692	12481	10275	-	-	2	1040	6	2.00	28
	19331	18540	17681	16791	15710	14722	11081	-	3	1180	6	3.00	34
	22940	22026	21560	20890	20018	19230	17450	15008	5	1385	6	5.00	39
	26230	25850	25120	24562	23900	23243	21900	20144	7-1/2	1585	6	7.50	50
	29020	28671	28028	27670	27016	26560	25048	24010	10	1750	6	10.00	71
42	17451	15670	13561	10019	-	-	-	-	1-1/2	750	6	1.50	20
	19563	17981	16195	14986	10126	8126	-	-	2	825	6	2.00	32
	22893	21562	20128	18673	16892	14457	-	-	3	950	6	3.00	33
	27670	26551	25253	24030	22968	21616	18018	12775	5	1130	6	5.00	39
	31120	30830	30039	29130	28312	27022	24790	21100	7-1/2	1300	6	7.50	50
	34310	33537	32610	31674	30880	29868	27986	25708	10	1420	6	10.00	53
48	20303	18249	15126	-	-	-	-	-	1-1/2	620	8	1.50	24
	21414	19321	16364	-	-	-	-	-	2	650	8	2.00	26
	25236	23381	21684	19291	16061	-	-	-	3	750	8	3.00	28
	30791	29108	27464	25852	24142	22122	15276	-	5	890	8	5.00	36
	35748	34126	32561	31213	29792	28382	24298	18203	7-1/2	1015	8	7.50	50
	39574	38235	36780	35453	34243	33033	30691	26405	10	1120	8	10.00	55
54	31896	28991	24252	-	-	-	-	-	3	600	6	3.00	26
	34454	33006	31283	28892	25962	22632	-	-	5	730	8	5.00	33
	40051	38596	37383	35663	33543	31323	25762	-	7-1/2	835	8	7.50	39
	44750	43544	42334	41124	39504	37683	33343	28192	10	925	8	10.00	43
	51252	50115	49105	48094	46974	45764	42334	38593	15	1040	8	15.00	56
60	44454	40914	37683	33704	28292	-	-	-	5	640	6	5.00	36
	52235	49105	46274	43344	40015	35963	-	-	7-1/2	735	6	7.50	39
	58295	55465	52735	50015	47484	44354	-	-	10	810	6	10.00	50
	60116	58695	57185	55565	54055	52535	49205	45164	15	926	8	15.00	56

Contact factory for alternate selections if required.

The sound ratings shown are loudness values in fan sones at 5 ft. (1.5m) in a hemispherical free field calculated per AMCA Standard 301 @ free air.

Brake horsepower does not include drive losses.

Values are installation Type A, free inlet fan sone levels.

Performance shown is for types and units without inlet or outlet ducts.

MODEL TUB-HT

TUBEAXIAL UPBLAST PROPELLER ROOF EXHAUSTER FOR HEAT AND SMOKE REMOVAL



MODEL FEATURES

- Exhaust air up to 57,000 CFM in static pressure applications up to 3/4" w.g.
- Motor and drives are located outside of the exhaust airstream
- Designed and tested for emergency heat and smoke removal
- Successfully passed heat test of 1000°F for 15 minutes and 500°F for over 4 hours
- Belt drives permit easy performance adjustments when needed
- UL 793 Listed as Power Ventilator for Smoke Control Systems

MODEL OVERVIEW

Model TUB-HT has been designed and tested for emergency heat and smoke removal. This design also lends itself to everyday nonemergency high capacity industrial and commercial roof exhaust applications. Model TUB-HT successfully passed heat test of 1000°F for fifteen (15) minutes, and 500°F for over four (4) hours by an independent testing agency. Model TUB-HT exceeds I.R.I (Industrial Risk Insurers) guidelines and is UL-793 Listed as "Power Ventilator for Smoke Control Systems."

The heavy-gauge design allows for years of standard commercial use and the dependability required in a fire emergency. The upblast configuration exhausts heat and smoke high above the roof line aiding in the access and capabilities of fire fighters. Unlike complete design dependence on gravity vents which are sometimes limited by air temperature and wind velocity, the TUB-HT in conjunction with gravity vents, will more effectively remove smoke, hot air, and gases when used in a properly designed system. In the event of electrical failure, the 165°F fusible link will activate the spring assisted damper doors to provide gravity ventilation. Fan CFM, sizing and location for both exhaust and supply air are an important part of the overall heat and smoke venting building design needs. Refer to I.R.I., NFPA (National Fire Protection Association), and local fire codes for help in proper system design. Final approval for the complete system design should be authorized by the local authority having jurisdiction.

Fan selections are available in 24, 30, 36, 42, 48, 54 and 60 inch sizes. Horsepower and CFM range to 57,000 CFM and 15HP. Units are tested in accordance with AMCA Standard 301 (sound) and AMCA 210 (air) in an AMCA certified laboratory. Every unit is completely assembled and factory tested for quality assurance prior to shipment.

1 year fan housing warranty, 1 year motor warranty



CONSTRUCTION/SPECIFICATION CHECKLIST

1. Successfully heat tested by independent laboratory for:
 - (a) 1000°F for 15 minutes.
 - (b) 500°F for minimum 4 hours.
2. All ferrous construction in airstream.
3. 165°F fusible link in damper mechanism (heat & smoke vent).
4. Motor out-of-airstream design.
5. Belt & bearings enclosed in ventilated housing.
6. Minimum dual groove drive/belt combination.
7. Shaft heat slinger.
8. Extended lubrication lines.
9. UL-793 Listed Power Ventilator for Smoke Control Systems.
10. Meets UL-793 snow load test.

Drives

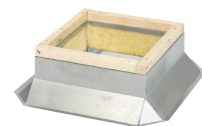
Motors, bearings and belt are shielded from the airstream by a sheet metal enclosure, with cooling provided by fresh outside air. Drives are sized for a minimum 150% of drive horsepower. Drives are minimum dual groove sheaves through 10 horsepower and three-belt on 15HP. Adjustable sheaves are available as an option. Bearings are heavy-duty cast iron, pillow block with relubricable fittings. Standard bearings are fitted with remote relubricable fittings and designed for minimum 200,000 hour life. All shafts are turned, ground and polished steel coated with an anti-rust compound to resist corrosion.

Electrical Power

Electrical power should be independent of the general building. Wiring requires special, heat resistant qualities as determined by local fire codes. Switching should always be arranged so that automatic start-up can be achieved through safety devices such as, but not limited to, sprinkler systems and smoke or heat sensors.

OPTIONS/ACCESSORIES

Roof Curb: Prefabricated heavy-gauge galvanized steel, welded construction, 12" high with 1-1/2" wood nailer. Options include burglar bars, single and double pitch construction, and additional curb heights.



Outlet Guard: 1/2" x 1" wire mesh guard will prevent birds and other objects from entering fan.

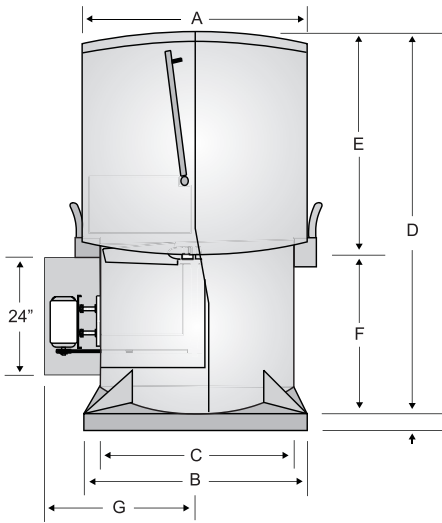
Inspection Door: For inspection and blade service/cleaning.

Disconnect Switch: Nonfused safety disconnects are available for all motor sizes in rain-tight or open enclosures.

Special Coatings: Powered roof exhausters often require special coatings for protective and decorative purposes. Available coatings include: Synthetic Resin, Epoxy, and Heresite (air-dried phenolic). Contact your representative or the factory for more information on available coatings and colors.



DIMENSIONS



Model TUB-HT	Dimensions (Inches)						
	A O.D Windband	B sq. I.D. Curb Cap	C sq. Min. I.D. Opg	D Height	E Windband Height	F Tube Height	G (Max.)
24	30	35	25-1/8	55-1/2	25	30-1/2	37
30	36	41	31-1/8	58-1/2	28	30-1/2	40
36	42	47	37-1/8	60-1/2	30	30-1/2	43
42	48	53	43-1/8	65-1/2	33	32-1/2	46
48	54	59	49-1/8	68-1/2	36	32-1/2	49
54	60	65	55-1/8	71-1/2	39	32-1/2	52
60	66	71	61-1/8	74-1/2	42	32-1/2	55

Model TUB-HT	Metal Gauges			Average Weight
	Fan Housing	Wind Shroud	Curb Cap	
24	12	18	14	500
30	12	18	14	600
36	12	18	14	1000
42	12	18	14	1100
48	10	18	14	1300
54	10	18	14	1580
60	10	18	10	1700

**PERFORMANCE DATA****TUB-HT - Belt Drive - Steel Blade**

Model TUB-HT	CFM / BHP @ Static Pressure							HP	RPM	Max. BHP	Sones @ 5 ft.
	0	1/8	1/4	3/8	1/2	5/8	3/4				
24	6255	5297	4821	4035	-	-	-	3/4	1215	0.78	21
	6962	6547	6115	5446	-	-	-	1	1275	1.08	25
	7896	7272	6601	6216	5814	5248	-	1-1/2	1530	1.53	31
	8693	8109	7688	7265	6276	5409	-	2	1750	2.05	40
30	9631	8703	6835	6478	-	-	-	1	1180	1.06	26
	11324	10716	9408	7755	6574	-	-	1-1/2	1155	1.57	29
	11952	11272	10694	9776	8405	7824	-	2	1550	2.09	35
	13871	13059	12491	11234	10295	8173	-	3	1325	3.08	34
	16225	15983	15120	14730	12761	10576	8568	5	1560	5.13	42
36	14173	13128	11822	10471	-	-	-	1-1/2	1015	1.61	28
	15114	14353	13243	11988	10514	8772	7444	2	1160	2.11	32
	18020	16740	16186	14342	10549	9510	7865	3	1140	3.05	38
	20849	20157	19368	18978	16490	14118	11362	5	1245	5.12	53
42	18628	17503	15264	12855	11606	-	-	2	930	2.01	29
	22193	20384	18866	17337	15643	13574	-	3	1140	3.13	38
	25960	24822	23667	22374	20839	19521	18043	5	1140	5.07	48
	29490	28518	28186	26569	24926	23934	19623	7-1/2	1140	7.81	58
48	20302	18094	15044	11132	-	-	-	2	655	2.1	29
	27001	25050	22614	18159	12350	-	-	3	745	3.08	32
	29173	27591	25732	23625	21215	17472	-	5	840	5.16	42
	33418	31872	30249	28062	25682	22744	18678	7-1/2	860	7.6	51
	36776	35878	34984	34042	33014	31980	30940	10	1340	10.1	98
54	27348	24097	18041	-	-	-	-	3	530	3.15	29
	34050	31546	28811	24511	18272	-	-	5	640	5.4	39
	42632	40823	38562	36009	29864	23065	-	7-1/2	900	7.55	48
	47064	45427	43602	41604	38006	30622	-	10	860	10.08	52
	49325	48358	47390	45974	42307	37941	34800	15	780	15.71	62
60	35718	32721	24429	19438	-	-	-	3	530	3.11	28
	42487	40061	35933	30065	25302	22050	-	5	640	5.18	35
	48378	45938	43009	38690	35690	30406	-	7-1/2	800	7.59	47
	54617	50622	48428	45938	37363	29993	-	10	845	10.13	53
	57143	54850	52557	50264	47971	42759	35297	15	675	15.61	62

Contact factory for alternate selections if required.

The sound ratings shown are loudness values in fan sones at 5 ft. (1.5m) in a hemispherical free field calculated per AMCA Standard 301 @ free air.

Brake horsepower does not include drive losses.

Values are installation Type A, free inlet fan sone levels.

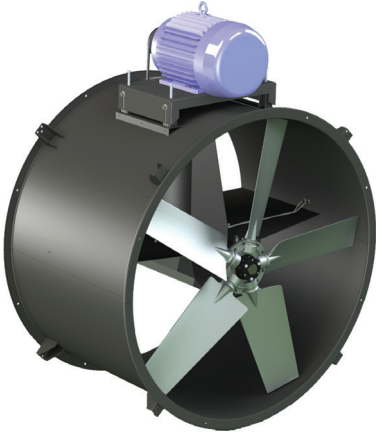
Performance shown is for types and units without inlet or outlet ducts.



Standard 793
(optional)

MODEL TDB

TUBEAXIAL INLINE BELT DRIVEN DUCT FAN



MODEL FEATURES

- Rated up to 75,490 CFM in static pressure applications up to 1-1/2" w.g.
- 12 sizes ranging from 12 to 60" propeller diameters
- Motor and drives are located outside of the airstream
- Belt drives permit easy performance adjustments when needed
- Continuously welded and epoxy painted steel housing
- AMCA Air & Sound Certified
- cULus Listed

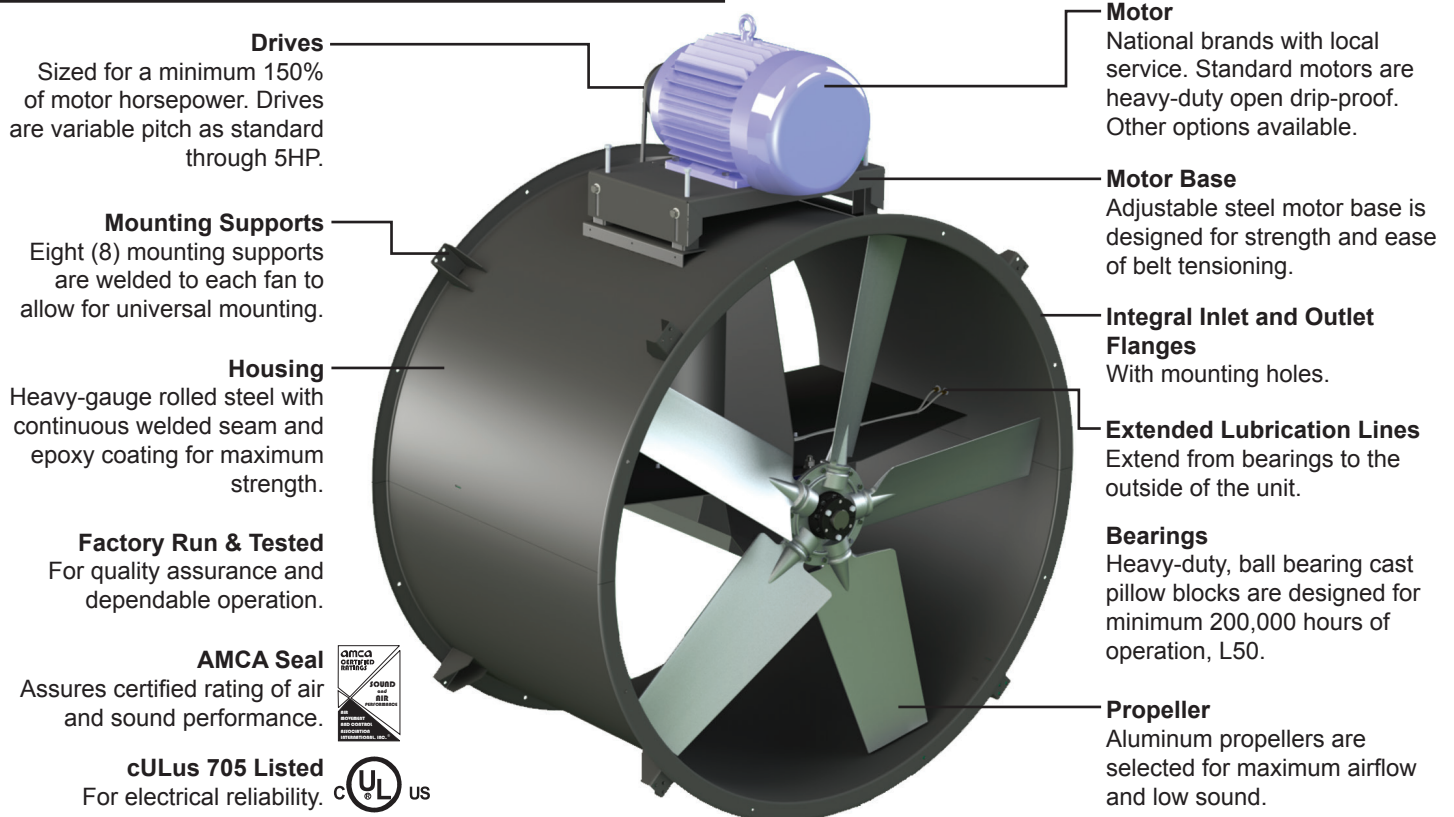
MODEL OVERVIEW

JencoFan's tubeaxial line offers the widest range of sizes, horsepower and performance in the industry. Models TDB are high capacity belt drive tubeaxial fans rated from 900 to 75,490 CFM, with static pressure capability up to 1-1/2". They are used to exhaust air from or supply air to such typical commercial and industrial applications as general building ventilation, enclosed garages, paint spray booths, heat and smoke ventilation systems and other applications where air is moved through a duct system against moderate static pressure.

Belt drive Models TDB are especially suited to handle fumes, vapors, steam, dust, smoke and contaminated or heated air to 200° F. They are available in larger, higher capacity sizes and offer ease in adjustment of fan performance by reducing the fan RPM with adjustable motor sheaves. (Optional on 7-1/2HP and larger).

Total access to the bearings and shaft is possible with the TDB's unique removable cover.

STANDARD CONSTRUCTION FEATURES



2 year fan housing warranty, 1 year motor warranty

All specifications are subject to change without notice unless approved in submittal by JencoFan.

GC_TDB_0911

September 2011

CONSTRUCTION/SPECIFICATION CHECKLIST

Fan Housing

- Heavy-gauge rolled steel construction.
- Integral inlet and outlet flanges with mounting holes.
- Continuous welded and epoxy coated.
- Belt and bearing tube.
- Removable bearing cover for ease of maintenance.
- Eight mounting supports welded to each fan.
- Adjustable motor base for belt tensioning.
- Extended lube lines.

Propeller

- Aluminum airfoil propeller.
- Blades are pitched for optimum efficiency.
- Statically balanced

Drives

- Sized for minimum 150% of drive horsepower.
- Single belt adjustable pitch sheaves through 5HP.
- Multiple belt fixed pitch sheaves 7-1/2HP and above.
- Adjustable tension rods for belt adjustment.
- Nonstatic oil resistant v-belts.
- Keyed, turned, ground and polished shafts.

Bearings

- Bearings are designed for minimum 200,000 hour life, L50.
- Cast iron self-aligning pillow block ball bearings.
- Bearings are sealed and prelubricated.

Motors

- One year motor warranty.
- Brands are nationally recognized and locally serviced.
- NEMA base-mounted motors are standard.
- Open drip-proof construction is standard.
- Premium-efficiency, explosion proof, totally enclosed fan cooled (TEFC) and corrosion duty motors can be specified.

Certifications

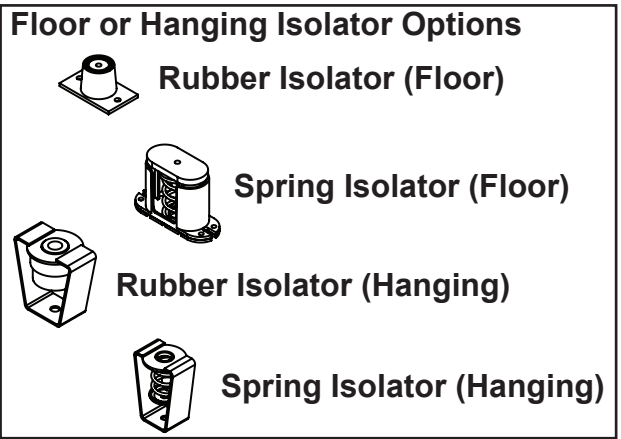
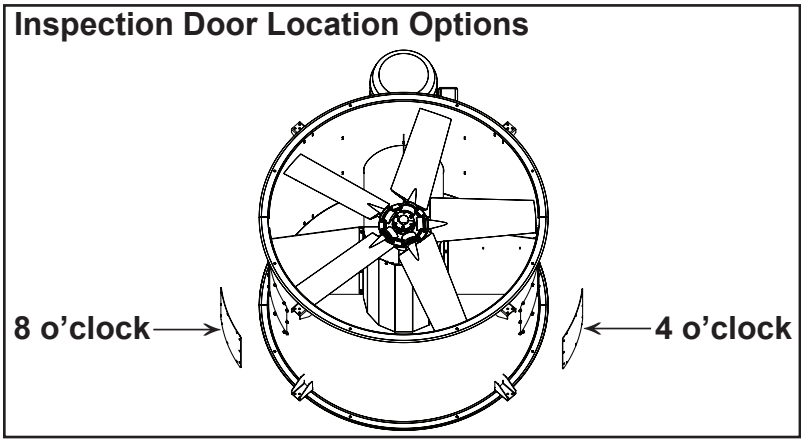
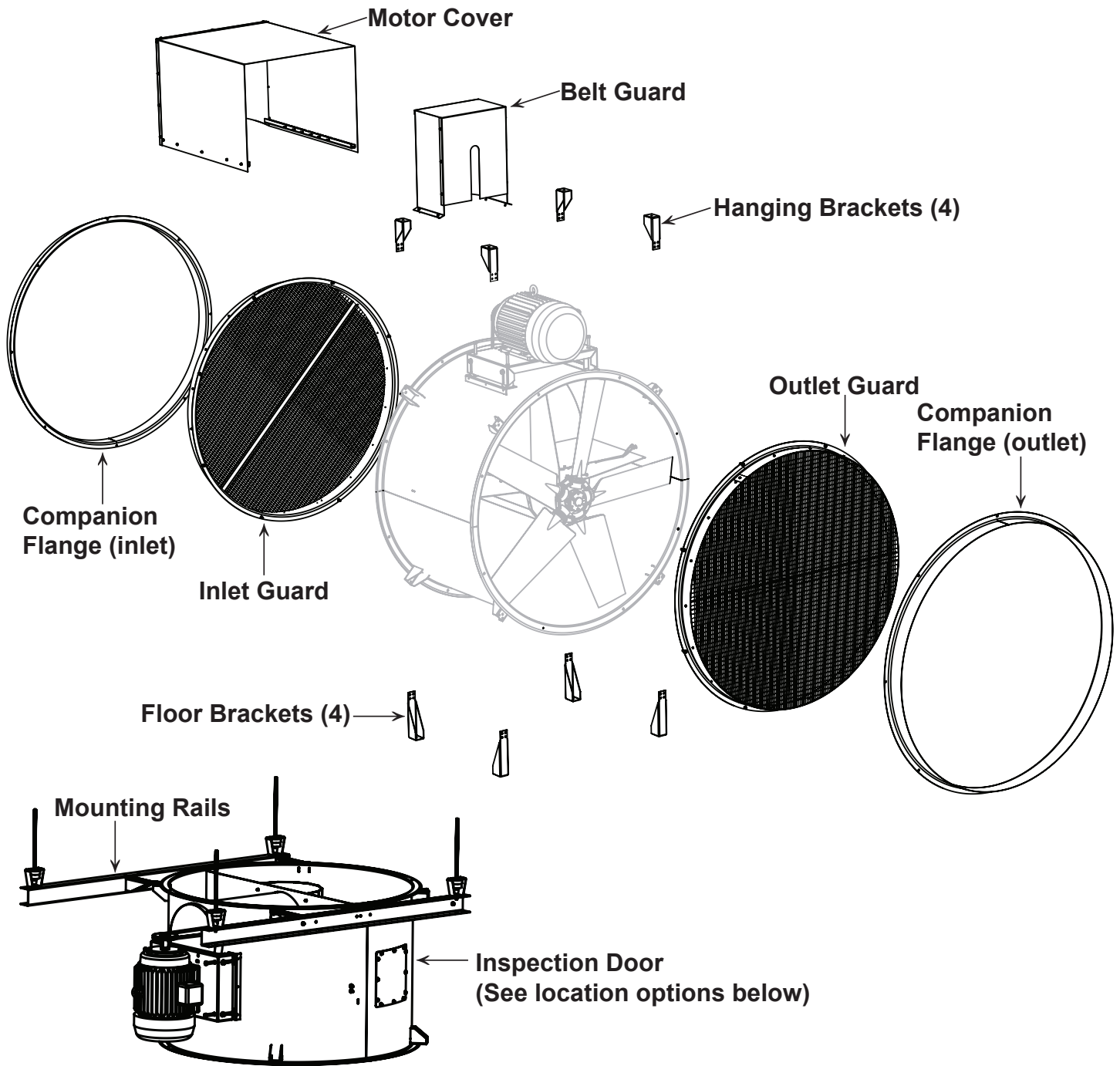
- AMCA Air and Sound Certified
- cULus 705 Listed

Entire Fan Unit

- Factory assembled and tested prior to shipment for quality assurance.



OPTIONS/ACCESSORIES





OPTIONS/ACCESSORIES

Hanging & Floor Brackets: For base or ceiling mounting. Neoprene and spring isolators are available.

Mounting Rails: Designed for vertical and horizontal mounting. Rail kits include mounting brackets. Vertical mounting available by special quote on sizes 34-48”.

Inlet/Outlet Guard: Prevents objects from entering the fan inlet or outlet. Includes companion flange.

Inspection Door: For inspection and blade service/cleaning. Bolted. Not available on sizes 12 and 16.

Companion Flanges: Inlet and/or outlet flanges are available for duct connection.

Belt Guard: Encloses belt and motor sheave on exterior of fan.

Motor Cover: Three sided guard that covers motor, sheave and belt. Motor may extend past cover on sizes 12, 16, and 18.

Adjustable Sheave: Can be specified for 7-1/2HP and larger units (standard through 5HP).

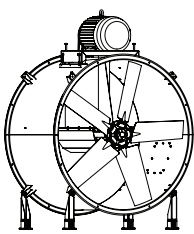
Shaft Seal: Protects bearings and belts when fan is handling dirty or contaminated air.

Disconnect Switch: Nonfused safety disconnect available for all motor sizes and enclosures. Specify prewired if desired. (Wiring not available on explosion proof and two speed motors).

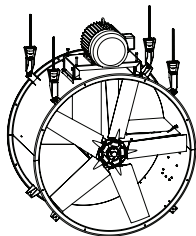
Special Coatings (*Epoxy Coating is Standard*): For protective and decorative purposes. Available coatings include: Synthetic Resin and Heresite (air-dried phenolic). Contact your representative or the factory for more information on available coatings and colors.

MOUNTING CONFIGURATIONS

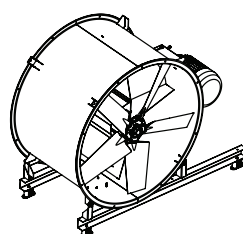
Floor Mount



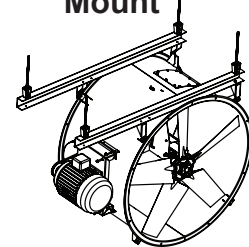
Hanging Mount



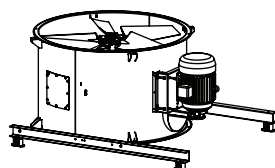
Rail Floor Mount



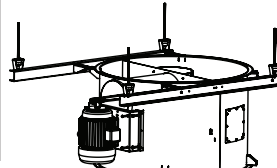
Rail Hanging Mount



Vertical Rail Floor Mount



Vertical Rail Hanging Mount



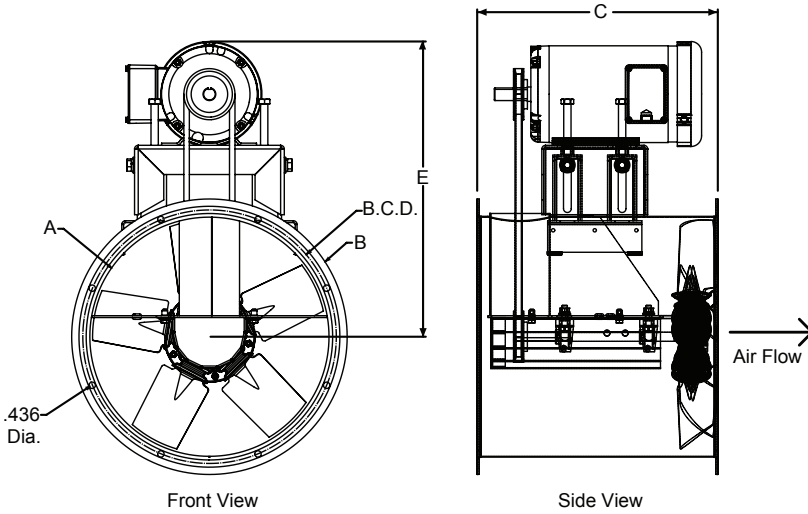
Vertical mounting available on special quote on sizes 34-48”.

Note: The 12 & 16 are designed to mount to a supported duct work and do not have all mounting configurations.



PERFORMANCE/DIMENSIONS

Size 12



Max. Motor Frame: 145T
Shaft Size: 5/8"
Housing Gauge: 16
Approximate Weight: 90 lbs.
Flange Holes: 6
Diameter Flange Holes: 7/16"
Finish: Epoxy Coated Galvanized

A	B	C	E	B.C.D.
12-3/8	14-1/2	12*	21	13-1/2

A: ID B: OD C: Length E: Max. Height
 *Motor may extend past unit

HP	RPM	Static Pressure (Inches W.G.)									
		0		0.125		0.25		0.375		0.5	
		CFM	BHP	CFM	BHP	CFM	BHP	CFM	BHP	CFM	BHP
1/4	1550	1358	0.20	1189	0.20	-	-	-	-	-	-
	1600	1402	0.21	1240	0.23	914	0.22	-	-	-	-
	1650	1445	0.24	1291	0.25	1021	0.24	-	-	-	-
	1700	1489	0.26	1341	0.27	1104	0.27	-	-	-	-
1/3	1725	1511	0.27	1365	0.28	1141	0.28	-	-	-	-
	1775	1555	0.29	1414	0.31	1210	0.31	-	-	-	-
	1825	1599	0.32	1463	0.33	1274	0.34	-	-	-	-
	1875	1642	0.35	1511	0.36	1335	0.36	-	-	-	-
1/2	1925	1686	0.37	1559	0.39	1393	0.39	1001	0.38	-	-
	2000	1752	0.42	1630	0.43	1478	0.44	1211	0.43	-	-
	2075	1818	0.47	1700	0.48	1559	0.49	1341	0.49	-	-
	2150	1883	0.52	1771	0.54	1638	0.55	1450	0.55	-	-
3/4	2200	1927	0.56	1817	0.58	1690	0.59	1516	0.59	-	-
	2275	1993	0.62	1887	0.64	1767	0.65	1609	0.65	1324	0.63
	2350	2059	0.68	1956	0.70	1842	0.71	1698	0.72	1474	0.71
	2425	2124	0.75	2025	0.77	1916	0.78	1783	0.79	1593	0.78

Performance certified is for installation type A - free inlet, free outlet.
 Performance ratings do not include the effects of appurtenances (accessories).
 Power rating (BHP) does not include transmission losses.

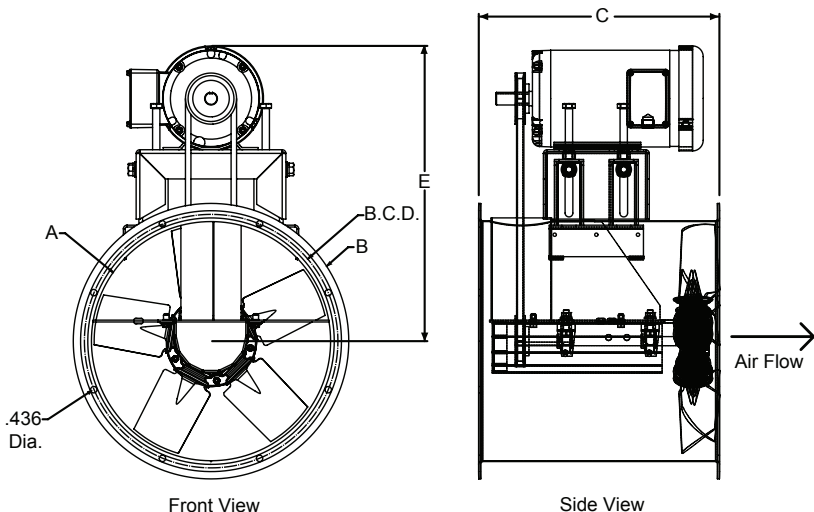


JencoFan, Div. of Soler & Palau Ventilation Group certifies that the Models TDB shown herein are licensed to bear the AMCA Seal. The ratings shown are based on test and procedures performed in accordance with AMCA Publication 211 and AMCA Publication 311 and comply with the requirement of the AMCA Certified Ratings Program.





Size 16



Max. Motor Frame: 145T
Shaft Size: 5/8"
Housing Gauge: 16
Approximate Weight: 110 lbs.
Flange Holes: 8
Diameter Flange Holes: 7/16"
Finish: Epoxy Coated Galvanized

A	B	C	E	B.C.D.
16-3/8	18-1/2	17*	23	17-3/8

A: ID B: OD C: Length E: Max. Height
 *Motor may extend past unit

HP	RPM	Static Pressure (Inches W.G.)																			
		0		0.125		0.25		0.375		0.5		0.625		0.75		0.875		1		1.25	
		CFM	BHP	CFM	BHP	CFM	BHP	CFM	BHP	CFM	BHP	CFM	BHP	CFM	BHP	CFM	BHP	CFM	BHP	CFM	BHP
1/4	1100	1888	0.13	1621	0.15	1270	0.16	-	-	-	-	-	-	-	-	-	-	-	-	-	-
	1175	2017	0.16	1771	0.18	1461	0.19	-	-	-	-	-	-	-	-	-	-	-	-	-	-
	1225	2103	0.18	1869	0.20	1581	0.22	1205	0.23	-	-	-	-	-	-	-	-	-	-	-	-
	1275	2189	0.21	1965	0.22	1696	0.24	1355	0.25	-	-	-	-	-	-	-	-	-	-	-	-
1/3	1300	2232	0.22	2013	0.24	1753	0.25	1427	0.27	-	-	-	-	-	-	-	-	-	-	-	-
	1350	2318	0.25	2109	0.26	1863	0.28	1563	0.30	1182	0.30	-	-	-	-	-	-	-	-	-	-
	1375	2360	0.26	2156	0.28	1917	0.30	1628	0.31	1265	0.32	-	-	-	-	-	-	-	-	-	-
	1425	2446	0.29	2250	0.31	2023	0.33	1755	0.34	1424	0.36	-	-	-	-	-	-	-	-	-	-
1/2	1475	2532	0.32	2343	0.34	2128	0.36	1876	0.38	1573	0.39	1202	0.40	-	-	-	-	-	-	-	-
	1525	2618	0.35	2436	0.37	2230	0.39	1994	0.41	1713	0.43	1374	0.44	-	-	-	-	-	-	-	-
	1575	2704	0.39	2529	0.41	2332	0.43	2108	0.45	1847	0.47	1535	0.48	1170	0.48	-	-	-	-	-	-
	1625	2790	0.43	2621	0.45	2432	0.47	2219	0.49	1975	0.51	1688	0.53	1349	0.53	-	-	-	-	-	-
3/4	1675	2875	0.47	2712	0.49	2530	0.51	2328	0.53	2099	0.56	1832	0.57	1520	0.58	1168	0.58	-	-	-	-
	1750	3004	0.53	2849	0.56	2677	0.58	2488	0.60	2277	0.63	2037	0.65	1758	0.66	1439	0.66	-	-	-	-
	1825	3133	0.61	2985	0.63	2821	0.65	2644	0.68	2448	0.70	2229	0.72	1979	0.74	1693	0.75	1374	0.75	-	-
	1875	3219	0.66	3075	0.68	2917	0.70	2746	0.73	2560	0.76	2352	0.78	2118	0.80	1852	0.81	1553	0.82	-	-
1	1925	3305	0.71	3165	0.73	3012	0.76	2848	0.79	2669	0.81	2472	0.84	2252	0.86	2004	0.87	1724	0.88	-	-
	1975	3390	0.77	3255	0.79	3106	0.82	2948	0.85	2776	0.87	2589	0.90	2381	0.92	2149	0.94	1888	0.95	1296	0.96
	2025	3476	0.83	3344	0.85	3200	0.88	3047	0.91	2882	0.93	2703	0.96	2506	0.99	2288	1.01	2043	1.02	1480	1.03
	2075	3562	0.89	3433	0.92	3294	0.94	3145	0.97	2986	1.00	2815	1.03	2627	1.05	2421	1.08	2192	1.09	1661	1.11

Performance certified is for installation type A - free inlet, free outlet.
 Performance ratings do not include the effects of appurtenances (accessories).
 Power rating (BHP) does not include transmission losses.

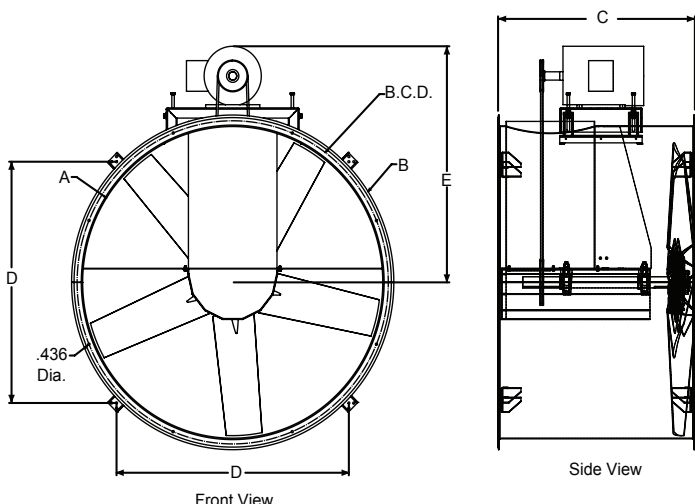


JencoFan, Div. of Soler & Palau Ventilation Group certifies that the Models TDB shown herein are licensed to bear the AMCA Seal. The ratings shown are based on test and procedures performed in accordance with AMCA Publication 211 and AMCA Publication 311 and comply with the requirement of the AMCA Certified Ratings Program.





Size 18



Max. Motor Frame: 182T
Shaft Size: 1"
Housing Gauge: 14
Approximate Weight: 140 lbs.
Flange Holes: 8
Diameter Flange Holes: 7/16"
Finish: Epoxy Coated Galvanized



A	B	C	D	E	B.C.D.
---	---	---	---	---	--------

18-3/8 22-1/2 22* 17-15/16 25-1/2 19-3/4

A: ID B: OD C: Length E: Max. Height

*Motor may extend past unit

HP	RPM	Static Pressure (Inches W.G.)																	
		0		0.125		0.25		0.375		0.5		0.625		0.75		0.875		1	
		CFM	BHP	CFM	BHP	CFM	BHP	CFM	BHP	CFM	BHP	CFM	BHP	CFM	BHP	CFM	BHP	CFM	BHP
1/4	1000	2509	0.15	2122	0.17	-	-	-	-	-	-	-	-	-	-	-	-	-	-
	1050	2635	0.17	2268	0.19	1809	0.21	-	-	-	-	-	-	-	-	-	-	-	-
	1100	2760	0.20	2412	0.22	1999	0.24	-	-	-	-	-	-	-	-	-	-	-	-
	1125	2823	0.21	2483	0.23	2089	0.25	-	-	-	-	-	-	-	-	-	-	-	-
1/3	1150	2886	0.23	2554	0.25	2175	0.27	-	-	-	-	-	-	-	-	-	-	-	-
	1200	3011	0.26	2694	0.28	2342	0.30	1827	0.32	-	-	-	-	-	-	-	-	-	-
	1225	3074	0.27	2763	0.30	2422	0.32	1952	0.34	-	-	-	-	-	-	-	-	-	-
1/2	1275	3199	0.31	2902	0.33	2580	0.36	2172	0.38	-	-	-	-	-	-	-	-	-	-
	1300	3262	0.33	2970	0.35	2658	0.38	2271	0.40	-	-	-	-	-	-	-	-	-	-
	1350	3387	0.37	3107	0.39	2810	0.42	2459	0.44	-	-	-	-	-	-	-	-	-	-
	1400	3513	0.41	3243	0.43	2959	0.46	2635	0.49	2184	0.50	-	-	-	-	-	-	-	-
3/4	1450	3638	0.45	3379	0.48	3106	0.51	2803	0.54	2414	0.56	-	-	-	-	-	-	-	-
	1500	3764	0.50	3513	0.53	3251	0.56	2966	0.59	2618	0.61	2059	0.62	-	-	-	-	-	-
	1550	3889	0.56	3647	0.58	3395	0.61	3124	0.64	2807	0.67	2363	0.68	-	-	-	-	-	-
	1600	4015	0.61	3781	0.64	3537	0.67	3279	0.70	2985	0.73	2606	0.75	-	-	-	-	-	-
1	1650	4140	0.67	3914	0.70	3678	0.73	3431	0.76	3156	0.79	2820	0.82	2303	0.82	-	-	-	-
	1675	4203	0.70	3980	0.73	3748	0.76	3506	0.79	3239	0.82	2919	0.85	2461	0.86	-	-	-	-
	1725	4328	0.77	4113	0.79	3887	0.82	3655	0.86	3402	0.89	3109	0.92	2726	0.94	-	-	-	-
	1775	4454	0.83	4245	0.86	4026	0.89	3801	0.93	3561	0.97	3289	1.00	2953	1.02	2437	1.02	-	-
1 1/2	1825	4579	0.91	4377	0.93	4164	0.97	3947	1.00	3717	1.04	3462	1.08	3159	1.10	2748	1.12	-	-
	1850	4642	0.94	4442	0.97	4233	1.01	4019	1.04	3794	1.08	3546	1.12	3257	1.15	2879	1.16	-	-
	1925	4830	1.06	4639	1.09	4438	1.13	4234	1.17	4021	1.20	3792	1.24	3534	1.28	3223	1.30	2787	1.31
	2000	5018	1.19	4835	1.22	4641	1.26	4446	1.30	4244	1.34	4030	1.38	3795	1.41	3525	1.45	3186	1.47
	2075	5207	1.33	5031	1.36	4844	1.40	4656	1.44	4464	1.48	4262	1.52	4044	1.56	3802	1.60	3517	1.63

Performance certified is for installation type A - free inlet, free outlet.
 Performance ratings do not include the effects of appurtenances (accessories).
 Power rating (BHP) does not include transmission losses.

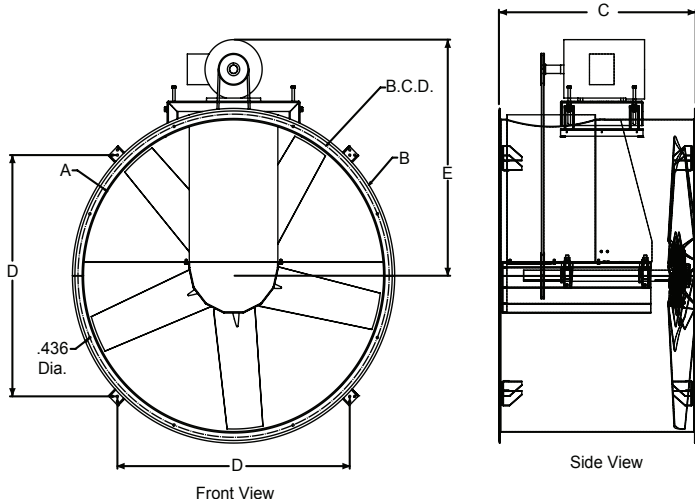


JencoFan, Div. of Soler & Palau Ventilation Group certifies that the Models TDB shown herein are licensed to bear the AMCA Seal. The ratings shown are based on test and procedures performed in accordance with AMCA Publication 211 and AMCA Publication 311 and comply with the requirement of the AMCA Certified Ratings Program.





Size 20



Max. Motor Frame: 184T
Shaft Size: 1"
Housing Gauge: 14
Approximate Weight: 150 lbs.
Flange Holes: 8
Diameter Flange Holes: 7/16"
Finish: Epoxy Coated Galvanized

A	B	C	D	E	B.C.D.
20-3/8	24-1/2	22	18-3/8	26-1/2	21-3/4

A: ID B: OD C: Length E: Max. Height

HP	RPM	Static Pressure (Inches W.G.)																			
		0		0.125		0.25		0.375		0.5		0.625		0.75		0.875		1		1.125	
		CFM	BHP	CFM	BHP	CFM	BHP	CFM	BHP	CFM	BHP	CFM	BHP	CFM	BHP	CFM	BHP	CFM	BHP	CFM	BHP
1/3	1050	3404	0.23	2933	0.25	-	-	-	-	-	-	-	-	-	-	-	-	-	-	-	-
	1100	3566	0.26	3119	0.29	-	-	-	-	-	-	-	-	-	-	-	-	-	-	-	-
	1125	3647	0.28	3211	0.31	2701	0.33	-	-	-	-	-	-	-	-	-	-	-	-	-	-
	1150	3728	0.30	3302	0.33	2812	0.35	-	-	-	-	-	-	-	-	-	-	-	-	-	-
1/2	1175	3809	0.32	3393	0.35	2921	0.37	-	-	-	-	-	-	-	-	-	-	-	-	-	-
	1225	3971	0.36	3573	0.39	3132	0.42	-	-	-	-	-	-	-	-	-	-	-	-	-	-
	1275	4133	0.40	3751	0.44	3336	0.47	2813	0.49	-	-	-	-	-	-	-	-	-	-	-	-
	1300	4214	0.43	3840	0.46	3436	0.49	2940	0.52	-	-	-	-	-	-	-	-	-	-	-	-
3/4	1325	4295	0.45	3929	0.49	3535	0.52	3062	0.55	-	-	-	-	-	-	-	-	-	-	-	-
	1375	4457	0.51	4104	0.54	3730	0.58	3295	0.61	2692	0.62	-	-	-	-	-	-	-	-	-	-
	1400	4539	0.53	4192	0.57	3826	0.61	3407	0.64	2848	0.66	-	-	-	-	-	-	-	-	-	-
	1450	4701	0.59	4366	0.63	4017	0.67	3624	0.70	3131	0.73	-	-	-	-	-	-	-	-	-	-
1	1525	4944	0.69	4626	0.73	4297	0.77	3938	0.81	3512	0.84	-	-	-	-	-	-	-	-	-	-
	1575	5106	0.76	4799	0.80	4482	0.84	4140	0.88	3747	0.91	3242	0.93	-	-	-	-	-	-	-	-
	1625	5268	0.84	4971	0.88	4665	0.92	4339	0.96	3971	1.00	3522	1.02	-	-	-	-	-	-	-	-
	1675	5430	0.92	5142	0.96	4846	1.00	4534	1.04	4188	1.08	3779	1.11	3238	1.13	-	-	-	-	-	-
1 1/2	1700	5511	0.96	5227	1.00	4936	1.05	4630	1.09	4294	1.13	3902	1.16	3398	1.18	-	-	-	-	-	-
	1775	5754	1.09	5483	1.13	5205	1.18	4916	1.23	4604	1.27	4253	1.31	3830	1.33	3259	1.34	-	-	-	-
	1850	5997	1.23	5737	1.28	5472	1.33	5197	1.38	4906	1.42	4585	1.46	4215	1.50	3755	1.51	-	-	-	-
	1925	6240	1.39	5990	1.44	5736	1.49	5475	1.54	5200	1.59	4903	1.63	4570	1.67	4179	1.70	3678	1.71	-	-
2	1950	6322	1.44	6075	1.49	5824	1.55	5566	1.60	5296	1.64	5006	1.69	4684	1.73	4310	1.76	3842	1.78	-	-
	2000	6484	1.56	6243	1.61	5999	1.66	5749	1.71	5488	1.76	5211	1.81	4907	1.85	4561	1.89	4146	1.91	-	-
	2050	6646	1.68	6411	1.73	6173	1.78	5930	1.84	5678	1.89	5412	1.94	5123	1.98	4801	2.02	4425	2.05	3956	2.06
	2075	6727	1.74	6495	1.79	6260	1.85	6020	1.90	5772	1.95	5511	2.00	5229	2.05	4917	2.09	4558	2.12	4118	2.14

Performance certified is for installation type A - free inlet, free outlet.
 Performance ratings do not include the effects of appurtenances (accessories).
 Power rating (BHP) does not include transmission losses.

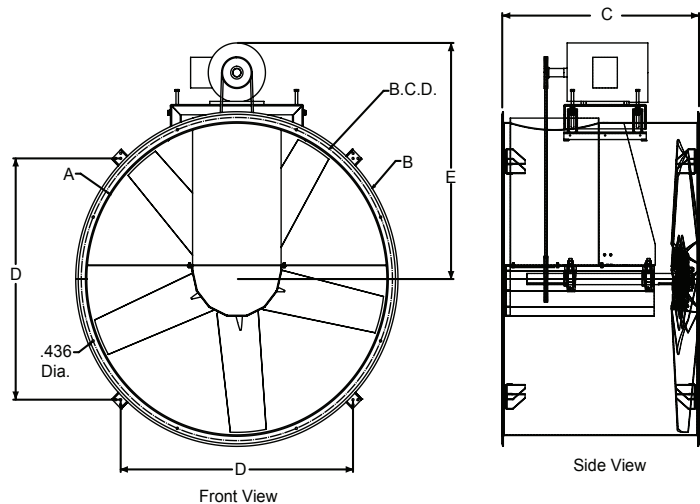


JencoFan, Div. of Soler & Palau Ventilation Group certifies that the Models TDB shown herein are licensed to bear the AMCA Seal. The ratings shown are based on test and procedures performed in accordance with AMCA Publication 211 and AMCA Publication 311 and comply with the requirement of the AMCA Certified Ratings Program.





Size 24



Max. Motor Frame: 184T
Shaft Size: 1"
Housing Gauge: 12
Approximate Weight: 220 lbs.
Flange Holes: 8
Diameter Flange Holes: 7/16"
Finish: Epoxy Coated Galvanized

A	B	C	D	E	B.C.D.
24-3/8	28-9/16	23	21-1/4	28-1/2	25-3/4

A: ID B: OD C: Length E: Max. Height

HP	RPM	Static Pressure (Inches W.G.)																	
		0		0.125		0.25		0.375		0.5		0.625		0.75		0.875		1	
		CFM	BHP	CFM	BHP	CFM	BHP	CFM	BHP	CFM	BHP	CFM	BHP	CFM	BHP	CFM	BHP	CFM	BHP
1/2	800	4768	0.25	4031	0.28	-	-	-	-	-	-	-	-	-	-	-	-	-	-
	850	5066	0.30	4379	0.33	3485	0.35	-	-	-	-	-	-	-	-	-	-	-	-
	900	5364	0.35	4721	0.38	3937	0.41	-	-	-	-	-	-	-	-	-	-	-	-
	950	5662	0.41	5056	0.45	4351	0.48	-	-	-	-	-	-	-	-	-	-	-	-
3/4	975	5811	0.45	5223	0.48	4548	0.51	3555	0.53	-	-	-	-	-	-	-	-	-	-
	1025	6109	0.52	5552	0.56	4929	0.59	4110	0.62	-	-	-	-	-	-	-	-	-	-
	1075	6407	0.60	5878	0.64	5297	0.68	4583	0.70	-	-	-	-	-	-	-	-	-	-
	1125	6705	0.69	6201	0.73	5655	0.77	5014	0.80	4095	0.82	-	-	-	-	-	-	-	-
1	1150	6854	0.73	6362	0.77	5831	0.82	5220	0.85	4390	0.87	-	-	-	-	-	-	-	-
	1200	7152	0.83	6682	0.88	6179	0.92	5615	0.96	4908	0.99	-	-	-	-	-	-	-	-
	1225	7301	0.89	6842	0.93	6351	0.97	5807	1.01	5144	1.05	-	-	-	-	-	-	-	-
	1250	7450	0.94	7001	0.99	6521	1.03	5996	1.07	5370	1.11	4479	1.12	-	-	-	-	-	-
1 1/2	1275	7599	1.00	7159	1.04	6691	1.09	6182	1.13	5587	1.17	4786	1.19	-	-	-	-	-	-
	1325	7897	1.12	7475	1.17	7027	1.22	6548	1.26	6004	1.30	5323	1.33	-	-	-	-	-	-
	1375	8195	1.25	7790	1.30	7360	1.35	6906	1.40	6401	1.44	5801	1.48	-	-	-	-	-	-
	1425	8493	1.39	8103	1.44	7690	1.50	7258	1.55	6785	1.59	6243	1.63	5558	1.66	-	-	-	-
2	1450	8642	1.47	8259	1.52	7854	1.57	7431	1.63	6974	1.67	6454	1.72	5817	1.74	-	-	-	-
	1500	8940	1.63	8571	1.68	8181	1.73	7776	1.79	7343	1.84	6862	1.88	6297	1.92	5561	1.93	-	-
	1525	9089	1.71	8727	1.76	8344	1.82	7947	1.87	7525	1.93	7061	1.97	6524	2.01	5849	2.03	-	-
	1550	9238	1.79	8882	1.85	8506	1.91	8117	1.96	7705	2.02	7256	2.06	6744	2.11	6117	2.13	-	-
3	1625	9685	2.07	9348	2.12	8989	2.18	8622	2.24	8237	2.30	7825	2.35	7371	2.40	6846	2.44	6194	2.46
	1675	9983	2.26	9657	2.32	9309	2.38	8955	2.45	8586	2.51	8195	2.56	7769	2.61	7291	2.66	6723	2.69
	1725	10281	2.47	9965	2.53	9628	2.60	9285	2.66	8931	2.72	8557	2.78	8156	2.84	7714	2.88	7206	2.92
	1775	10579	2.69	10274	2.75	9946	2.82	9614	2.89	9272	2.95	8914	3.01	8534	3.07	8121	3.12	7658	3.17

Performance certified is for installation type A - free inlet, free outlet.
 Performance ratings do not include the effects of appurtenances (accessories).
 Power rating (BHP) does not include transmission losses.

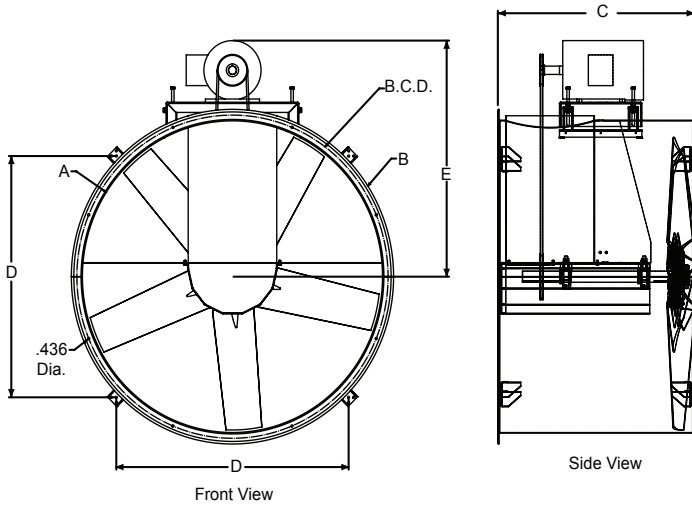


JencoFan, Div. of Soler & Palau Ventilation Group certifies that the Models TDB shown herein are licensed to bear the AMCA Seal. The ratings shown are based on test and procedures performed in accordance with AMCA Publication 211 and AMCA Publication 311 and comply with the requirement of the AMCA Certified Ratings Program.





Size 30



Max. Motor Frame: 254T
Shaft Size: 1-3/16"
Housing Gauge: 12
Approximate Weight: 260 lbs.
Flange Holes: 8
Diameter Flange Holes: 7/16"
Finish: Epoxy Coated
 Galvanized



A	B	C	D	E	B.C.D.
30-3/8	34-9/16	24	25-1/2	35	32

A: ID B: OD C: Length E: Max. Height

HP	RPM	Static Pressure (Inches W.G.)																			
		0		0.125		0.25		0.375		0.5		0.625		0.75		0.875		1		1.125	
		CFM	BHP	CFM	BHP	CFM	BHP	CFM	BHP	CFM	BHP	CFM	BHP	CFM	BHP	CFM	BHP	CFM	BHP	CFM	BHP
1/2	600	6561	0.24	4936	0.27	-	-	-	-	-	-	-	-	-	-	-	-	-	-	-	-
	650	7108	0.31	5666	0.34	-	-	-	-	-	-	-	-	-	-	-	-	-	-	-	-
	700	7655	0.38	6351	0.42	4239	0.42	-	-	-	-	-	-	-	-	-	-	-	-	-	-
	750	8202	0.47	7008	0.51	5319	0.53	-	-	-	-	-	-	-	-	-	-	-	-	-	-
3/4	775	8475	0.52	7328	0.57	5780	0.58	-	-	-	-	-	-	-	-	-	-	-	-	-	-
	800	8748	0.57	7644	0.62	6209	0.64	-	-	-	-	-	-	-	-	-	-	-	-	-	-
	825	9022	0.62	7957	0.68	6614	0.70	-	-	-	-	-	-	-	-	-	-	-	-	-	-
	850	9295	0.68	8267	0.74	7002	0.77	5007	0.76	-	-	-	-	-	-	-	-	-	-	-	-
1	875	9568	0.74	8574	0.80	7377	0.83	5610	0.83	-	-	-	-	-	-	-	-	-	-	-	-
	900	9842	0.81	8879	0.87	7740	0.90	6147	0.91	-	-	-	-	-	-	-	-	-	-	-	-
	925	10115	0.88	9181	0.94	8094	0.98	6637	0.99	-	-	-	-	-	-	-	-	-	-	-	-
	950	10389	0.95	9482	1.02	8441	1.06	7094	1.07	4911	1.05	-	-	-	-	-	-	-	-	-	-
1 1/2	975	10662	1.03	9781	1.10	8781	1.14	7524	1.16	5612	1.14	-	-	-	-	-	-	-	-	-	-
	1025	11209	1.20	10375	1.27	9446	1.32	8330	1.34	6800	1.34	-	-	-	-	-	-	-	-	-	-
	1075	11755	1.38	10963	1.46	10095	1.51	9084	1.54	7793	1.55	-	-	-	-	-	-	-	-	-	-
	1100	12029	1.48	11256	1.56	10414	1.62	9447	1.65	8244	1.66	6532	1.64	-	-	-	-	-	-	-	-
2	1125	12302	1.58	11548	1.66	10731	1.72	9802	1.76	8674	1.78	7136	1.76	-	-	-	-	-	-	-	-
	1150	12576	1.69	11838	1.77	11045	1.84	10151	1.88	9086	1.90	7688	1.89	-	-	-	-	-	-	-	-
	1175	12849	1.80	12128	1.89	11356	1.95	10495	2.00	9484	2.02	8199	2.02	-	-	-	-	-	-	-	-
	1200	13122	1.92	12417	2.01	11666	2.08	10834	2.13	9871	2.15	8678	2.16	7027	2.13	-	-	-	-	-	-
3	1225	13396	2.04	12706	2.13	11973	2.20	11168	2.26	10248	2.29	9132	2.30	7645	2.28	-	-	-	-	-	-
	1275	13943	2.30	13281	2.40	12583	2.47	11826	2.53	10977	2.57	9984	2.59	8738	2.58	-	-	-	-	-	-
	1325	14489	2.58	13853	2.68	13188	2.76	12471	2.83	11681	2.88	10780	2.90	9699	2.90	8302	2.88	-	-	-	-
	1375	15036	2.89	14424	2.99	13787	3.08	13107	3.15	12366	3.20	11538	3.23	10576	3.25	9394	3.23	-	-	-	-
5	1400	15309	3.05	14709	3.15	14085	3.24	13421	3.32	12702	3.37	11905	3.41	10991	3.43	9891	3.42	-	-	-	-
	1475	16130	3.56	15560	3.68	14972	3.77	14353	3.85	13691	3.92	12971	3.97	12170	4.00	11250	4.01	10146	3.99	-	-
	1550	16950	4.14	16408	4.26	15852	4.36	15271	4.45	14656	4.52	13997	4.58	13278	4.62	12478	4.65	11560	4.65	-	-
	1600	17497	4.55	16972	4.67	16436	4.78	15877	4.87	15289	4.96	14664	5.02	13989	5.07	13249	5.10	12418	5.12	10298	5.08

Performance certified is for installation type A - free inlet, free outlet.
 Performance ratings do not include the effects of appurtenances (accessories).
 Power rating (BHP) does not include transmission losses.

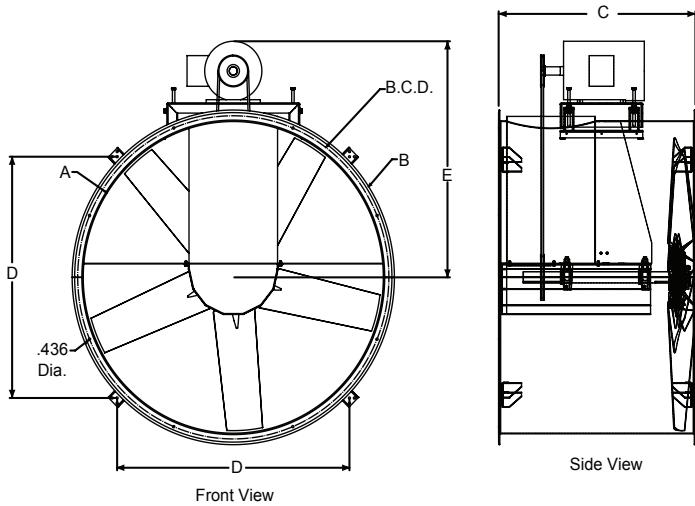


JencoFan, Div. of Soler & Palau Ventilation Group certifies that the Models TDB shown herein are licensed to bear the AMCA Seal. The ratings shown are based on test and procedures performed in accordance with AMCA Publication 211 and AMCA Publication 311 and comply with the requirement of the AMCA Certified Ratings Program.





Size 34



Max. Motor Frame: 254T
Shaft Size: 1-7/16"
Housing Gauge: 12
Approximate Weight: 310 lbs.
Flange Holes: 8
Diameter Flange Holes: 7/16"
Finish: Epoxy Coated Galvanized

A	B	C	D	E	B.C.D.
34-3/8	38-9/16	27	28-5/8	37	36-3/8

A: ID B: OD C: Length E: Max. Height

HP	RPM	Static Pressure (Inches W.G.)																					
		0		0.125		0.25		0.375		0.5		0.625		0.75		0.875		1		1.125		1.5	
		CFM	BHP	CFM	BHP	CFM	BHP	CFM	BHP	CFM	BHP	CFM	BHP	CFM	BHP	CFM	BHP	CFM	BHP	CFM	BHP	CFM	BHP
3/4	600	9375	0.43	7491	0.48	-	-	-	-	-	-	-	-	-	-	-	-	-	-	-	-	-	-
	625	9765	0.49	7994	0.54	-	-	-	-	-	-	-	-	-	-	-	-	-	-	-	-	-	-
	650	10156	0.55	8483	0.60	5890	0.60	-	-	-	-	-	-	-	-	-	-	-	-	-	-	-	-
	675	10547	0.61	8960	0.67	6580	0.67	-	-	-	-	-	-	-	-	-	-	-	-	-	-	-	-
1	700	10937	0.69	9428	0.75	7235	0.75	-	-	-	-	-	-	-	-	-	-	-	-	-	-	-	-
	725	11328	0.76	9887	0.83	7858	0.84	5118	0.84	-	-	-	-	-	-	-	-	-	-	-	-	-	-
	750	11718	0.84	10339	0.91	8453	0.93	5870	0.92	-	-	-	-	-	-	-	-	-	-	-	-	-	-
	775	12109	0.93	10786	1.01	9024	1.03	6609	1.02	-	-	-	-	-	-	-	-	-	-	-	-	-	-
1 1/2	800	12500	1.02	11228	1.10	9573	1.13	7324	1.12	-	-	-	-	-	-	-	-	-	-	-	-	-	-
	825	12890	1.12	11665	1.21	10106	1.24	8013	1.23	5542	1.25	-	-	-	-	-	-	-	-	-	-	-	-
	850	13281	1.23	12098	1.32	10624	1.35	8673	1.35	6297	1.35	-	-	-	-	-	-	-	-	-	-	-	-
	875	13672	1.34	12528	1.43	11129	1.47	9306	1.47	7046	1.47	-	-	-	-	-	-	-	-	-	-	-	-
2	900	14062	1.46	12956	1.55	11623	1.60	9915	1.61	7779	1.59	5523	1.64	-	-	-	-	-	-	-	-	-	-
	925	14453	1.58	13380	1.68	12108	1.74	10502	1.75	8492	1.73	6276	1.76	-	-	-	-	-	-	-	-	-	-
	950	14843	1.71	13802	1.82	12585	1.88	11070	1.89	9181	1.88	7031	1.89	4989	1.99	-	-	-	-	-	-	-	-
	975	15234	1.85	14223	1.96	13055	2.02	11621	2.05	9846	2.03	7780	2.03	5725	2.11	-	-	-	-	-	-	-	-
3	1025	16015	2.15	15057	2.27	13977	2.34	12681	2.38	11106	2.37	9235	2.35	7229	2.38	5357	2.50	-	-	-	-	-	-
	1050	16406	2.31	15472	2.43	14430	2.51	13194	2.55	11705	2.55	9934	2.53	7982	2.54	6091	2.64	-	-	-	-	-	-
	1100	17187	2.66	16298	2.79	15324	2.88	14191	2.93	12850	2.94	11265	2.92	9462	2.91	7593	2.95	-	-	-	-	-	-
	1125	17578	2.85	16709	2.98	15766	3.07	14677	3.13	13401	3.14	11899	3.13	10178	3.11	8347	3.13	6586	3.24	-	-	-	-
5	1175	18359	3.24	17528	3.38	16641	3.48	15630	3.55	14465	3.58	13111	3.58	11554	3.55	9837	3.55	8088	3.60	-	-	-	-
	1225	19140	3.67	18343	3.82	17504	3.93	16561	4.01	15489	4.05	14259	4.06	12850	4.04	11271	4.02	9594	4.03	-	-	-	-
	1275	19921	4.14	19155	4.30	18360	4.42	17475	4.50	16480	4.55	15354	4.57	14075	4.57	12635	4.54	11065	4.53	-	-	-	-
	1325	20703	4.65	19964	4.81	19208	4.94	18373	5.03	17446	5.10	16407	5.13	15238	5.13	13926	5.11	12478	5.09	9384	5.14	-	-
7 1/2	1375	21484	5.20	20771	5.37	20049	5.50	19260	5.61	18390	5.68	17426	5.72	16351	5.74	15151	5.73	13823	5.70	10888	5.70	-	-
	1425	22265	5.78	21576	5.96	20885	6.10	20136	6.22	19316	6.30	18416	6.36	17421	6.39	16319	6.38	15101	6.36	12357	6.32	-	-
	1475	23046	6.42	22378	6.60	21717	6.75	21003	6.87	20228	6.97	19383	7.04	18457	7.07	17438	7.08	16318	7.07	13774	7.02	10990	7.06
	1525	23827	7.09	23179	7.28	22544	7.44	21862	7.57	21127	7.68	20330	7.76	19464	7.81	18517	7.83	17482	7.82	15131	7.77	12484	7.76

Performance certified is for installation type A - free inlet, free outlet.
 Performance ratings do not include the effects of appurtenances (accessories).
 Power rating (BHP) does not include transmission losses.

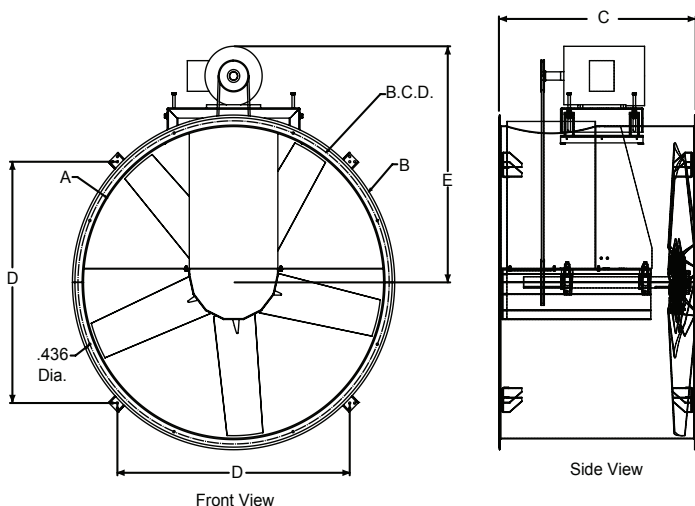


JencoFan, Div. of Soler & Palau Ventilation Group certifies that the Models TDB shown herein are licensed to bear the AMCA Seal. The ratings shown are based on test and procedures performed in accordance with AMCA Publication 211 and AMCA Publication 311 and comply with the requirement of the AMCA Certified Ratings Program.





Size 36



Max. Motor Frame: 254T
Shaft Size: 1-7/16"
Housing Gauge: 10
Approximate Weight: 410 lbs.
Flange Holes: 8
Diameter Flange Holes: 7/16"
Finish: Epoxy Coated
Galvanized

A	B	C	D	E	B.C.D.
36-3/8	40-5/8	29	29-13/16	38	38

A: ID B: OD C: Length E: Max. Height

HP	RPM	Static Pressure (Inches W.G.)																							
		0		0.125		0.25		0.375		0.5		0.625		0.75		0.875		1		1.125		1.5			
		CFM	BHP	CFM	BHP	CFM	BHP	CFM	BHP	CFM	BHP	CFM	BHP	CFM	BHP	CFM	BHP	CFM	BHP	CFM	BHP	CFM	BHP		
3/4	650	10196	0.41	8534	0.49	-	-	-	-	-	-	-	-	-	-	-	-	-	-	-	-	-	-	-	
	675	10588	0.46	8997	0.54	6993	0.59	-	-	-	-	-	-	-	-	-	-	-	-	-	-	-	-	-	
	700	10980	0.52	9454	0.60	7598	0.66	-	-	-	-	-	-	-	-	-	-	-	-	-	-	-	-	-	
	725	11372	0.57	9905	0.66	8170	0.72	-	-	-	-	-	-	-	-	-	-	-	-	-	-	-	-	-	
1	750	11764	0.63	10352	0.73	8717	0.79	6390	0.81	-	-	-	-	-	-	-	-	-	-	-	-	-	-	-	
	775	12156	0.70	10794	0.80	9245	0.87	7169	0.90	-	-	-	-	-	-	-	-	-	-	-	-	-	-	-	
	800	12549	0.77	11233	0.87	9758	0.95	7872	0.99	-	-	-	-	-	-	-	-	-	-	-	-	-	-	-	
	825	12941	0.84	11668	0.95	10259	1.03	8521	1.08	5878	1.08	-	-	-	-	-	-	-	-	-	-	-	-	-	
1 1/2	875	13725	1.01	12531	1.12	11232	1.21	9714	1.27	7669	1.29	-	-	-	-	-	-	-	-	-	-	-	-	-	
	900	14117	1.10	12958	1.21	11707	1.31	10273	1.38	8427	1.41	-	-	-	-	-	-	-	-	-	-	-	-	-	
	925	14509	1.19	13384	1.31	12176	1.41	10814	1.49	9123	1.53	-	-	-	-	-	-	-	-	-	-	-	-	-	
	950	14901	1.29	13808	1.41	12639	1.52	11340	1.60	9773	1.65	7623	1.65	-	-	-	-	-	-	-	-	-	-	-	
2	975	15294	1.39	14230	1.52	13098	1.63	11854	1.72	10390	1.78	8470	1.79	-	-	-	-	-	-	-	-	-	-	-	
	1000	15686	1.50	14650	1.64	13552	1.75	12358	1.84	10979	1.91	9239	1.93	-	-	-	-	-	-	-	-	-	-	-	
	1025	16078	1.62	15070	1.76	14003	1.88	12852	1.97	11547	2.04	9950	2.08	7772	2.07	-	-	-	-	-	-	-	-	-	
	1050	16470	1.74	15487	1.88	14450	2.00	13340	2.11	12097	2.18	10617	2.23	8677	2.23	6015	2.21	-	-	-	-	-	-	-	
3	1100	17254	2.00	16319	2.15	15335	2.28	14295	2.39	13157	2.48	11853	2.55	10255	2.57	8119	2.55	-	-	-	-	-	-	-	
	1125	17646	2.14	16734	2.29	15774	2.43	14765	2.55	13671	2.64	12435	2.71	10959	2.75	9053	2.74	-	-	-	-	-	-	-	
	1150	18039	2.29	17147	2.44	16210	2.58	15230	2.70	14175	2.81	12999	2.88	11624	2.93	9904	2.94	-	-	-	-	-	-	-	
	1175	18431	2.44	17560	2.60	16644	2.74	15691	2.87	14672	2.98	13548	3.06	12258	3.11	10687	3.13	8642	3.11	-	-	-	-	-	
5	1225	19215	2.77	18382	2.93	17507	3.08	16602	3.22	15646	3.34	14610	3.43	13452	3.50	12104	3.54	10443	3.55	-	-	-	-	-	
	1275	19999	3.12	19202	3.29	18364	3.45	17501	3.60	16598	3.72	15633	3.83	14577	3.92	13384	3.98	11981	4.00	8060	3.96	-	-	-	
	1350	21176	3.70	20426	3.88	19637	4.06	18830	4.22	17994	4.36	17114	4.48	16172	4.59	15142	4.67	13985	4.73	11010	4.74	-	-	-	
	1400	21960	4.13	21240	4.32	20480	4.50	19706	4.67	18908	4.82	18074	4.95	17191	5.07	16241	5.17	15196	5.24	12640	5.30	-	-	-	
7 1/2	1450	22744	4.59	22051	4.78	21319	4.97	20574	5.15	19810	5.31	19017	5.45	18185	5.58	17298	5.69	16339	5.78	14084	5.88	-	-	-	
	1500	23529	5.08	22861	5.28	22154	5.48	21437	5.66	20703	5.83	19946	5.99	19156	6.13	18323	6.25	17434	6.35	15400	6.49	12780	6.51	-	
	1550	24313	5.60	23669	5.81	22985	6.02	22293	6.21	21588	6.39	20862	6.55	20110	6.70	19323	6.84	18490	6.95	16628	7.13	14337	7.19	-	
	1600	25097	6.16	24476	6.38	23814	6.59	23145	6.79	22465	6.98	21768	7.15	21049	7.31	20301	7.46	19516	7.59	17792	7.79	15743	7.90	-	

Performance certified is for installation type A - free inlet, free outlet.
Performance ratings do not include the effects of appurtenances (accessories).
Power rating (BHP) does not include transmission losses.

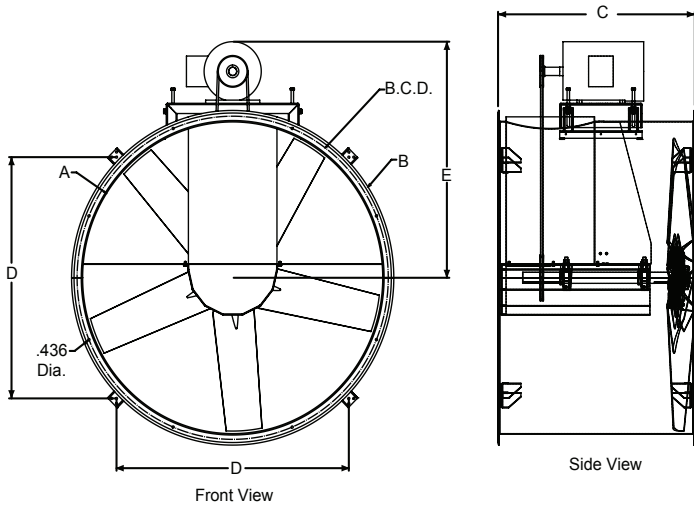


JencoFan, Div. of Soler & Palau Ventilation Group certifies that the Models TDB shown herein are licensed to bear the AMCA Seal. The ratings shown are based on test and procedures performed in accordance with AMCA Publication 211 and AMCA Publication 311 and comply with the requirement of the AMCA Certified Ratings Program.





Size 42



Max. Motor Frame: 254T
Shaft Size: 1-7/16"
Housing Gauge: 10
Approximate Weight: 480 lbs.
Flange Holes: 8
Diameter Flange Holes: 7/16"
Finish: Epoxy Coated
 Galvanized

A	B	C	D	E	B.C.D.
42-1/2	47	30	34-1/8	42	44-1/4

A: ID B: OD C: Length E: Max. Height

HP	RPM	Static Pressure (Inches W.G.)																						
		0		0.125		0.25		0.375		0.5		0.625		0.75		0.875		1		1.25		1.5		
		CFM	BHP	CFM	BHP	CFM	BHP	CFM	BHP	CFM	BHP	CFM	BHP	CFM	BHP	CFM	BHP	CFM	BHP	CFM	BHP	CFM	BHP	
1	480	11943	0.45	9569	0.52	-	-	-	-	-	-	-	-	-	-	-	-	-	-	-	-	-	-	-
	520	12939	0.57	10805	0.66	7231	0.68	-	-	-	-	-	-	-	-	-	-	-	-	-	-	-	-	-
	560	13934	0.71	11987	0.81	9272	0.85	-	-	-	-	-	-	-	-	-	-	-	-	-	-	-	-	-
	600	14929	0.88	13134	0.98	10859	1.04	-	-	-	-	-	-	-	-	-	-	-	-	-	-	-	-	-
1 1/2	640	15924	1.06	14256	1.18	12264	1.25	9049	1.26	-	-	-	-	-	-	-	-	-	-	-	-	-	-	-
	660	16422	1.17	14810	1.29	12926	1.36	10151	1.39	-	-	-	-	-	-	-	-	-	-	-	-	-	-	-
	680	16920	1.28	15359	1.40	13569	1.49	11098	1.52	-	-	-	-	-	-	-	-	-	-	-	-	-	-	-
	700	17417	1.39	15905	1.52	14198	1.61	11951	1.66	-	-	-	-	-	-	-	-	-	-	-	-	-	-	-
2	720	17915	1.51	16448	1.65	14813	1.75	12742	1.80	9165	1.79	-	-	-	-	-	-	-	-	-	-	-	-	-
	740	18412	1.64	16987	1.78	15419	1.89	13489	1.95	10509	1.96	-	-	-	-	-	-	-	-	-	-	-	-	-
	760	18910	1.78	17525	1.93	16015	2.03	14202	2.10	11615	2.12	-	-	-	-	-	-	-	-	-	-	-	-	-
3	800	19905	2.08	18592	2.23	17186	2.35	15558	2.43	13456	2.48	-	-	-	-	-	-	-	-	-	-	-	-	-
	820	20403	2.24	19123	2.40	17762	2.52	16209	2.61	14270	2.66	11293	2.66	-	-	-	-	-	-	-	-	-	-	-
	840	20901	2.40	19652	2.57	18333	2.70	16846	2.80	15040	2.86	12473	2.86	-	-	-	-	-	-	-	-	-	-	-
5	860	21398	2.58	20179	2.75	18899	2.88	17472	2.99	15775	3.06	13498	3.08	-	-	-	-	-	-	-	-	-	-	-
	900	22394	2.96	21229	3.14	20019	3.28	18694	3.40	17171	3.48	15277	3.52	12482	3.51	-	-	-	-	-	-	-	-	-
	940	23389	3.37	22274	3.56	21126	3.71	19886	3.84	18495	3.94	16847	4.00	14685	4.02	11117	3.98	-	-	-	-	-	-	-
	980	24384	3.82	23314	4.02	22222	4.18	21054	4.32	19768	4.43	18294	4.51	16489	4.55	13967	4.54	-	-	-	-	-	-	-
7 1/2	1020	25379	4.30	24351	4.51	23308	4.69	22203	4.84	21003	4.96	19661	5.06	18087	5.12	16088	5.14	-	-	-	-	-	-	-
	1060	26375	4.83	25384	5.05	24386	5.24	23336	5.40	22209	5.53	20970	5.64	19562	5.72	17872	5.76	15639	5.75	-	-	-	-	-
	1100	27370	5.40	26415	5.63	25457	5.82	24456	5.99	23391	6.14	22237	6.26	20953	6.36	19471	6.42	17649	6.44	-	-	-	-	-
	1140	28365	6.01	27442	6.25	26522	6.45	25564	6.63	24554	6.79	23470	6.93	22285	7.04	20953	7.12	19389	7.16	-	-	-	-	-
10	1180	29360	6.66	28468	6.91	27582	7.13	26663	7.32	25700	7.49	24677	7.64	23573	7.76	22355	7.86	20969	7.92	-	-	-	-	-
	1200	29858	7.01	28979	7.26	28110	7.48	27210	7.68	26268	7.85	25273	8.01	24203	8.14	23033	8.24	21718	8.32	18279	8.36	-	-	-
	1240	30853	7.73	30002	8.00	29162	8.23	28297	8.43	27396	8.62	26449	8.78	25441	8.93	24353	9.05	23154	9.14	20195	9.23	-	-	-
	1260	31351	8.11	30512	8.38	29687	8.61	28837	8.83	27955	9.02	27031	9.19	26051	9.34	24998	9.47	23848	9.57	21068	9.68	-	-	-
	1300	32346	8.91	31532	9.19	30734	9.43	29915	9.66	29067	9.86	28183	10.04	27253	10.20	26263	10.34	25195	10.46	22700	10.61	19251	10.62	-

Performance certified is for installation type A - free inlet, free outlet.
 Performance ratings do not include the effects of appurtenances (accessories).
 Power rating (BHP) does not include transmission losses.

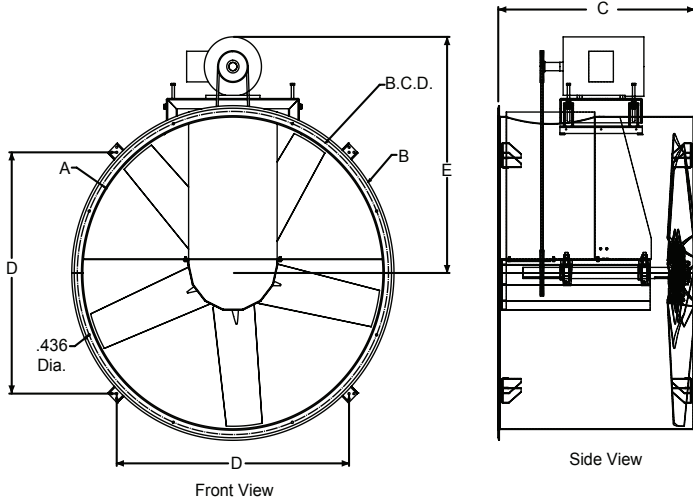


JencoFan, Div. of Soler & Palau Ventilation Group certifies that the Models TDB shown herein are licensed to bear the AMCA Seal. The ratings shown are based on test and procedures performed in accordance with AMCA Publication 211 and AMCA Publication 311 and comply with the requirement of the AMCA Certified Ratings Program.





Size 48



Max. Motor Frame: 284T
Shaft Size: 1-7/16"
Housing Gauge: 10
Approximate Weight: 600 lbs.
Flange Holes: 8
Diameter Flange Holes: 7/16"
Finish: Epoxy Coated Galvanized

A	B	C	D	E	B.C.D.
48-1/2	53	33	38-3/8	45	50-3/4

A: ID B: OD C: Length E: Max. Height

HP	RPM	Static Pressure (Inches W.G.)																							
		0		0.125		0.25		0.375		0.5		0.625		0.75		0.875		1		1.125		1.25			
		CFM	BHP	CFM	BHP	CFM	BHP	CFM	BHP	CFM	BHP	CFM	BHP	CFM	BHP	CFM	BHP	CFM	BHP	CFM	BHP	CFM	BHP		
1 1/2	460	17884	0.76	15363	0.93	11881	1.03	-	-	-	-	-	-	-	-	-	-	-	-	-	-	-	-	-	
	480	18662	0.87	16265	1.04	13143	1.16	-	-	-	-	-	-	-	-	-	-	-	-	-	-	-	-	-	
	500	19439	0.98	17153	1.17	14304	1.30	-	-	-	-	-	-	-	-	-	-	-	-	-	-	-	-	-	
	520	20217	1.10	18030	1.30	15397	1.44	11234	1.51	-	-	-	-	-	-	-	-	-	-	-	-	-	-	-	
2	540	20995	1.23	18898	1.44	16441	1.59	12890	1.68	-	-	-	-	-	-	-	-	-	-	-	-	-	-	-	
	560	21772	1.38	19758	1.59	17448	1.76	14324	1.86	-	-	-	-	-	-	-	-	-	-	-	-	-	-	-	
	580	22550	1.53	20610	1.75	18427	1.93	15616	2.05	10970	2.10	-	-	-	-	-	-	-	-	-	-	-	-	-	
	600	23327	1.69	21457	1.93	19384	2.11	16813	2.25	12932	2.32	-	-	-	-	-	-	-	-	-	-	-	-	-	
3	620	24105	1.87	22299	2.11	20322	2.31	17943	2.46	14611	2.55	-	-	-	-	-	-	-	-	-	-	-	-	-	
	640	24882	2.05	23135	2.31	21245	2.51	19024	2.68	16085	2.79	-	-	-	-	-	-	-	-	-	-	-	-	-	
	660	25660	2.25	23968	2.51	22156	2.73	20066	2.91	17420	3.04	13439	3.09	-	-	-	-	-	-	-	-	-	-	-	
	680	26438	2.46	24797	2.73	23055	2.96	21078	3.15	18658	3.29	15263	3.37	10161	3.44	-	-	-	-	-	-	-	-	-	
5	720	27993	2.92	26445	3.21	24826	3.46	23033	3.68	20944	3.85	18291	3.96	14426	4.02	-	-	-	-	-	-	-	-	-	
	760	29548	3.44	28083	3.75	26567	4.01	24920	4.25	23062	4.45	20845	4.60	17946	4.69	13734	4.74	-	-	-	-	-	-	-	
	780	30325	3.72	28898	4.03	27429	4.31	25844	4.56	24078	4.77	22017	4.94	19430	5.05	15811	5.10	-	-	-	-	-	-	-	
	820	31881	4.32	30522	4.65	29137	4.95	27661	5.22	26049	5.45	24228	5.65	22069	5.80	19314	5.90	15488	5.94	11164	6.11	-	-	-	
7 1/2	860	33436	4.98	32140	5.34	30828	5.65	29444	5.94	27954	6.20	26311	6.42	24436	6.60	22188	6.74	19294	6.82	15382	6.87	11358	7.08	-	
	880	34213	5.34	32946	5.70	31669	6.03	30325	6.32	28888	6.59	27318	6.83	25551	7.03	23482	7.18	20910	7.28	17486	7.33	13339	7.45		
	900	34991	5.71	33751	6.08	32506	6.42	31200	6.73	29812	7.00	28306	7.25	26633	7.47	24709	7.64	22388	7.76	19398	7.83	15502	7.89		
	940	36546	6.51	35357	6.90	34171	7.25	32935	7.58	31632	7.88	30237	8.15	28716	8.39	27017	8.59	25055	8.76	22682	8.87	19643	8.93		
10	960	37324	6.93	36159	7.33	34999	7.69	33795	8.03	32530	8.34	31183	8.62	29726	8.88	28116	9.10	26287	9.27	24127	9.41	21443	9.49		
	980	38101	7.37	36959	7.78	35826	8.15	34651	8.50	33421	8.82	32118	9.12	30718	9.38	29185	9.61	27468	9.81	25480	9.96	23078	10.07		
	1000	38879	7.83	37759	8.25	36650	8.63	35503	8.99	34307	9.32	33044	9.63	31695	9.90	30231	10.15	28608	10.36	26762	10.53	24583	10.66		

Performance certified is for installation type A - free inlet, free outlet.
 Performance ratings do not include the effects of appurtenances (accessories).
 Power rating (BHP) does not include transmission losses.

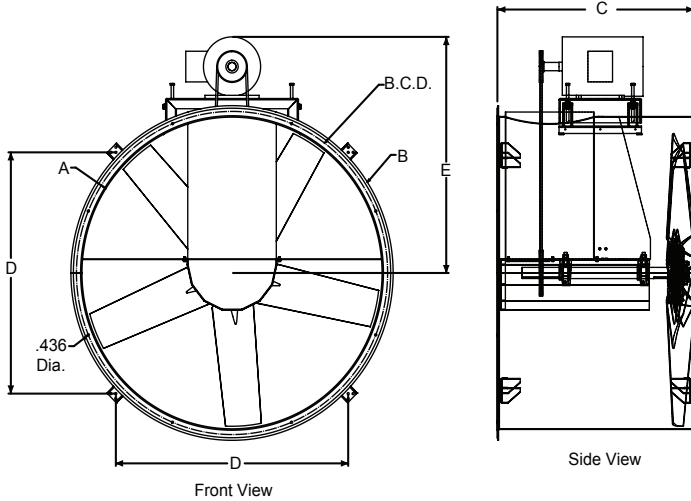


JencoFan, Div. of Soler & Palau Ventilation Group certifies that the Models TDB shown herein are licensed to bear the AMCA Seal. The ratings shown are based on test and procedures performed in accordance with AMCA Publication 211 and AMCA Publication 311 and comply with the requirement of the AMCA Certified Ratings Program.





Size 54



Max. Motor Frame:	284T
Shaft Size:	2-3/16"
Housing Gauge:	10
Approximate Weight:	730 lbs.
Flange Holes:	8
Diameter Flange Holes:	7/16"
Finish:	Epoxy Coated Galvanized

A	B	C	D	E	B.C.D.
55	59-1/2	38	43	48	57-1/4

A: ID B: OD C: Length E: Max. Height

HP	RPM	Static Pressure (Inches W.G.)																					
		0		0.125		0.25		0.375		0.5		0.625		0.75		0.875		1		1.125		1.25	
		CFM	BHP	CFM	BHP	CFM	BHP	CFM	BHP	CFM	BHP	CFM	BHP	CFM	BHP	CFM	BHP	CFM	BHP	CFM	BHP	CFM	BHP
3	460	29774	1.94	26461	2.06	21377	2.04	-	-	-	-	-	-	-	-	-	-	-	-	-	-	-	-
	480	31068	2.20	27937	2.33	23415	2.33	-	-	-	-	-	-	-	-	-	-	-	-	-	-	-	-
	500	32363	2.49	29392	2.63	25300	2.64	18049	2.56	-	-	-	-	-	-	-	-	-	-	-	-	-	-
	520	33657	2.80	30829	2.95	27081	2.98	20981	2.89	-	-	-	-	-	-	-	-	-	-	-	-	-	-
5	560	36246	3.50	33660	3.67	30429	3.73	25818	3.67	-	-	-	-	-	-	-	-	-	-	-	-	-	-
	580	37541	3.89	35060	4.07	32028	4.14	27898	4.10	-	-	-	-	-	-	-	-	-	-	-	-	-	-
	600	38835	4.30	36450	4.49	33592	4.58	29839	4.56	24166	4.44	-	-	-	-	-	-	-	-	-	-	-	-
	620	40130	4.75	37832	4.95	35126	5.05	31677	5.05	26754	4.94	-	-	-	-	-	-	-	-	-	-	-	-
7 1/2	660	42719	5.72	40577	5.94	38124	6.07	35139	6.10	31225	6.03	25491	5.90	-	-	-	-	-	-	-	-	-	-
	680	44013	6.26	41940	6.49	39596	6.63	36791	6.68	33228	6.62	28247	6.49	-	-	-	-	-	-	-	-	-	-
	700	45308	6.83	43299	7.07	41052	7.22	38405	7.28	35126	7.25	30732	7.12	-	-	-	-	-	-	-	-	-	-
	720	46602	7.43	44654	7.68	42495	7.84	39986	7.92	36943	7.91	33009	7.80	27485	7.66	-	-	-	-	-	-	-	-
10	740	47897	8.07	46005	8.33	43927	8.50	41539	8.59	38697	8.60	35127	8.50	30295	8.35	-	-	-	-	-	-	-	-
	760	49191	8.74	47352	9.01	45349	9.19	43070	9.30	40399	9.32	37124	9.25	32847	9.10	-	-	-	-	-	-	-	-
	780	50486	9.45	48696	9.72	46762	9.92	44581	10.04	42058	10.08	39028	10.03	35190	9.89	30027	9.74	-	-	-	-	-	-
	800	51780	10.20	50038	10.48	48167	10.69	46075	10.82	43682	10.88	40858	10.84	37372	10.72	32817	10.55	-	-	-	-	-	-
15	840	54369	11.80	52712	12.11	50956	12.33	49019	12.49	46844	12.58	44347	12.58	41388	12.50	37727	12.34	32986	12.17	-	-	-	-
	860	55664	12.67	54046	12.98	52342	13.22	50472	13.39	48391	13.49	46026	13.51	43268	13.45	39931	13.31	35711	13.12	30312	13.04	-	-
	880	56958	13.57	55378	13.89	53722	14.14	51915	14.32	49918	14.44	47670	14.48	45084	14.43	42014	14.31	38223	14.13	33394	13.98	-	-
	900	58253	14.52	56708	14.85	55098	15.11	53349	15.30	51428	15.43	49285	15.48	46847	15.46	44000	15.36	40559	15.19	36250	15.00	30906	14.96

Performance certified is for installation type A - free inlet, free outlet.
Performance ratings do not include the effects of appurtenances (accessories).
Power rating (BHP) does not include transmission losses.

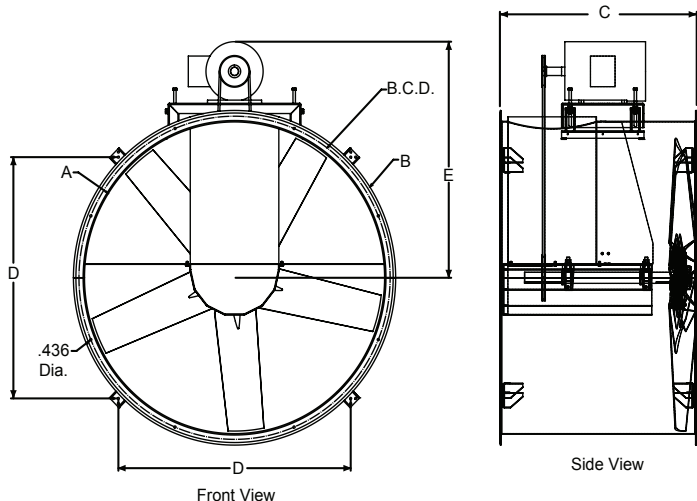


JencoFan, Div. of Soler & Palau Ventilation Group certifies that the Models TDB shown herein are licensed to bear the AMCA Seal. The ratings shown are based on test and procedures performed in accordance with AMCA Publication 211 and AMCA Publication 311 and comply with the requirement of the AMCA Certified Ratings Program.





Size 60



Max. Motor Frame: 286T
Shaft Size: 2-3/16"
Housing Gauge: 10
Approximate Weight: 798 lbs.
Flange Holes: 8
Diameter Flange Holes: 7/16"
Finish: Epoxy Coated Galvanized

A	B	C	D	E	B.C.D.
61	65-1/2	40	47-1/4	54-1/2	63-1/4

A: ID B: OD C: Length E: Max. Height

HP	RPM	Static Pressure (Inches W.G.)																				
		0		0.125		0.25		0.375		0.5		0.625		0.75		0.875		1		1.125		
		CFM	BHP	CFM	BHP	CFM	BHP	CFM	BHP	CFM	BHP	CFM	BHP	CFM	BHP	CFM	BHP	CFM	BHP	CFM	BHP	
5	520	43617	3.47	40228	3.71	36159	3.81	30434	3.76	-	-	-	-	-	-	-	-	-	-	-	-	-
	540	45294	3.89	42045	4.14	38237	4.26	33147	4.24	-	-	-	-	-	-	-	-	-	-	-	-	-
	560	46972	4.34	43850	4.60	40265	4.74	35660	4.75	28680	4.62	-	-	-	-	-	-	-	-	-	-	-
	580	48649	4.82	45643	5.10	42254	5.26	38031	5.29	32080	5.18	-	-	-	-	-	-	-	-	-	-	-
7 1/2	600	50327	5.33	47427	5.63	44209	5.80	40299	5.86	35079	5.78	26748	5.63	-	-	-	-	-	-	-	-	-
	620	52004	5.89	49202	6.20	46136	6.39	42488	6.46	37812	6.41	30921	6.25	-	-	-	-	-	-	-	-	-
	640	53682	6.47	50969	6.80	48041	7.00	44614	7.10	40362	7.08	34492	6.93	-	-	-	-	-	-	-	-	-
10	660	55360	7.10	52730	7.44	49925	7.66	46691	7.78	42778	7.78	37641	7.66	-	-	-	-	-	-	-	-	-
	680	57037	7.77	54485	8.12	51792	8.36	48726	8.49	45093	8.52	40504	8.43	34030	8.25	-	-	-	-	-	-	-
	700	58715	8.47	56235	8.84	53645	9.09	50726	9.25	47328	9.30	43164	9.24	37603	9.07	-	-	-	-	-	-	-
	720	60392	9.22	57980	9.60	55484	9.87	52697	10.04	49500	10.12	45676	10.08	40784	9.94	33849	9.75	-	-	-	-	-
15	740	62070	10.01	59721	10.40	57311	10.69	54644	10.88	51620	10.98	48075	10.97	43690	10.85	37791	10.65	-	-	-	-	-
	760	63747	10.84	61457	11.25	59128	11.55	56568	11.76	53698	11.88	50385	11.90	46397	11.81	41265	11.62	34071	11.44	-	-	-
	780	65425	11.72	63190	12.14	60936	12.46	58474	12.69	55738	12.82	52625	12.87	48957	12.81	44399	12.65	38286	12.43	-	-	-
	800	67103	12.65	64920	13.08	62735	13.41	60363	13.66	57748	13.81	54807	13.88	51402	13.85	47289	13.72	42000	13.50	-	-	-
20*	820	68780	13.62	66647	14.07	64527	14.41	62237	14.67	59731	14.85	56940	14.94	53756	14.94	49997	14.83	45329	14.64	-	-	-
	840	70458	14.64	68371	15.11	66312	15.46	64099	15.74	61691	15.94	59033	16.05	56038	16.07	52567	15.99	48376	15.82	43020	15.58	-
	860	72135	15.71	70093	16.19	68091	16.56	65948	16.85	63631	17.07	61091	17.20	58259	17.25	55027	17.20	51214	17.06	46500	16.83	-
	880	73813	16.83	71812	17.33	69864	17.71	67787	18.02	65552	18.25	63118	18.41	60430	18.47	57401	18.45	53893	18.34	49673	18.14	-
	900	75490	18.00	73529	18.52	71632	18.91	69616	19.24	67457	19.49	65120	19.66	62558	19.75	59703	19.76	56447	19.67	52618	19.50	-

Performance certified is for installation type A - free inlet, free outlet.
 Performance ratings do not include the effects of appurtenances (accessories).
 Power rating (BHP) does not include transmission losses.

***20HP motor is available by Special Quote only. Please contact Factory for more information.**



JencoFan, Div. of Soler & Palau Ventilation Group certifies that the Models TDB shown herein are licensed to bear the AMCA Seal. The ratings shown are based on test and procedures performed in accordance with AMCA Publication 211 and AMCA Publication 311 and comply with the requirement of the AMCA Certified Ratings Program.





SOUND CHARACTERISTICS

Size 12

RPM	Sound Performance Sones / LwA (Inches w.g.)				
	0	0.125	0.25	0.375	0.5
1550	18.1 / 80	16.3 / 78	-	-	-
1600	18.9 / 80	17.1 / 79	15.7 / 78	-	-
1650	19.8 / 81	18.1 / 80	16.7 / 79	-	-
1700	21 / 82	19 / 81	17.6 / 80	-	-
1725	21 / 83	19.5 / 81	18.1 / 80	-	-
1775	22 / 83	20 / 82	19.1 / 82	-	-
1825	23 / 85	22 / 83	20 / 83	-	-
1875	24 / 86	23 / 85	21 / 84	-	-
1925	25 / 87	24 / 86	23 / 85	22 / 84	-
2000	28 / 88	26 / 87	25 / 86	24 / 85	-
2075	30 / 90	29 / 89	27 / 88	26 / 87	-
2150	33 / 91	32 / 90	30 / 89	29 / 89	-
2200	35 / 92	34 / 91	32 / 90	30 / 90	-
2275	39 / 94	37 / 93	35 / 92	33 / 91	32 / 90
2350	43 / 96	40 / 95	38 / 94	36 / 93	35 / 92
2425	47 / 97	44 / 96	42 / 95	40 / 94	38 / 93

Size 16

RPM	Sound Performance Sones / LwA (Inches w.g.)									
	0	0.125	0.25	0.375	0.5	0.625	0.75	0.875	1	1.25
1100	13.7 / 75	12.3 / 73	10.8 / 72	-	-	-	-	-	-	-
1175	16.1 / 77	14.7 / 76	13.3 / 74	-	-	-	-	-	-	-
1225	17.8 / 79	16.4 / 78	15 / 76	13.7 / 75	-	-	-	-	-	-
1275	19.7 / 81	18.1 / 79	16.8 / 78	15 / 76	-	-	-	-	-	-
1300	21 / 82	19.1 / 80	17.7 / 79	15.8 / 77	-	-	-	-	-	-
1350	23 / 83	21 / 82	19.6 / 81	17.8 / 79	16.7 / 79	-	-	-	-	-
1375	24 / 84	22 / 83	21 / 82	18.7 / 80	17.4 / 79	-	-	-	-	-
1425	27 / 86	25 / 85	23 / 83	21 / 82	19 / 80	-	-	-	-	-
1475	29 / 88	27 / 86	26 / 85	23 / 84	21 / 82	19.8 / 81	-	-	-	-
1525	32 / 89	30 / 88	28 / 86	26 / 85	23 / 83	21 / 82	-	-	-	-
1575	33 / 90	31 / 88	29 / 87	27 / 86	25 / 84	23 / 83	22 / 83	-	-	-
1625	35 / 90	32 / 89	31 / 88	29 / 87	26 / 86	24 / 84	23 / 84	-	-	-
1675	36 / 91	34 / 90	32 / 89	30 / 88	28 / 87	26 / 85	24 / 85	23 / 85	-	-
1750	38 / 92	36 / 91	34 / 90	33 / 89	31 / 88	28 / 87	26 / 86	25 / 86	-	-
1825	41 / 93	39 / 92	37 / 91	35 / 90	33 / 90	31 / 88	29 / 87	27 / 87	27 / 87	-
1875	42 / 93	40 / 92	38 / 92	36 / 91	35 / 90	32 / 89	30 / 88	29 / 88	28 / 88	-
1925	43 / 94	41 / 93	39 / 92	37 / 92	36 / 91	34 / 90	32 / 89	30 / 88	29 / 89	-
1975	44 / 94	42 / 94	40 / 93	39 / 92	37 / 92	36 / 91	34 / 90	32 / 89	31 / 89	31 / 90
2025	45 / 95	43 / 94	41 / 94	40 / 93	39 / 93	37 / 92	35 / 91	33 / 90	32 / 90	32 / 91
2075	46 / 96	44 / 95	43 / 94	41 / 94	40 / 93	39 / 93	37 / 92	35 / 91	33 / 91	33 / 91

The sound ratings shown are loudness values in fan sones at 1.5 m (5 ft) in a hemispherical free field calculated per AMCA International Standard 301. Values shown are for: Installation Type A: free inlet hemispherical sone levels.



JencoFan, Div. of Soler & Palau Ventilation Group certifies that the Models TDB shown herein are licensed to bear the AMCA Seal. The ratings shown are based on test and procedures performed in accordance with AMCA Publication 211 and AMCA Publication 311 and comply with the requirement of the AMCA Certified Ratings Program.



Size 18

RPM	Sound Performance Sones / LwA (Inches w.g.)								
	0	0.125	0.25	0.375	0.5	0.625	0.75	0.875	1
1000	11.4 / 72	11 / 70	-	-	-	-	-	-	-
1050	12.3 / 73	11.9 / 72	12.1 / 72	-	-	-	-	-	-
1100	13.2 / 74	12.7 / 73	12.7 / 73	-	-	-	-	-	-
1125	13.7 / 75	13.2 / 74	13 / 73	-	-	-	-	-	-
1150	14.1 / 75	13.7 / 74	13.4 / 74	-	-	-	-	-	-
1200	15.1 / 77	14.6 / 75	14.2 / 74	15.2 / 77	-	-	-	-	-
1225	15.6 / 77	15.1 / 76	14.7 / 75	15.6 / 77	-	-	-	-	-
1275	16.7 / 78	16.2 / 77	15.8 / 76	16.3 / 78	-	-	-	-	-
1300	17.3 / 79	16.7 / 78	16.3 / 77	16.6 / 78	-	-	-	-	-
1350	18.4 / 80	17.9 / 79	17.3 / 78	17.4 / 78	-	-	-	-	-
1400	19.6 / 81	19.1 / 80.	18.6 / 79	18.2 / 79	19 / 81	-	-	-	-
1450	21 / 82	20 / 81	19.9 / 80	19.5 / 80	19.7 / 81	-	-	-	-
1500	22 / 83	22 / 82	21 / 82	21 / 81	20 / 82	21 / 83	-	-	-
1550	23 / 84	23 / 83	22 / 82	22 / 82	21 / 82	22 / 84	-	-	-
1600	24 / 85	24 / 84	23 / 83	23 / 83	22 / 83	23 / 84	-	-	-
1650	25 / 85	25 / 85	24 / 84	24 / 83	23 / 83	23 / 84	25 / 86	-	-
1675	25 / 86	25 / 85	25 / 85	24 / 84	24 / 83	24 / 85	25 / 86	-	-
1725	26 / 87	26 / 86	26 / 85	25 / 85	25 / 84	24 / 85	26 / 87	-	-
1775	27 / 87	27 / 87	27 / 86	26 / 86	26 / 85	25 / 85	26 / 87	28 / 88	-
1825	28 / 88	28 / 88	28 / 87	27 / 86	27 / 86	26 / 86	27 / 87	29 / 89	-
1850	29 / 88	29 / 88	28 / 87	28 / 87	27 / 86	27 / 86	27 / 87	29 / 89	-
1925	31 / 90	30 / 89	30 / 89	29 / 88	29 / 88	29 / 87	28 / 88	30 / 89	31 / 90
2000	33 / 91	32 / 90	32 / 90	31 / 89	30 / 89	30 / 88	30 / 88	31 / 89	33 / 91
2075	35 / 92	35 / 91	34 / 91	33 / 91	32 / 90	32 / 90	32 / 89.	32 / 90	34 / 91

The sound ratings shown are loudness values in fan sones at 1.5 m (5 ft) in a hemispherical free field calculated per AMCA International Standard 301. Values shown are for: Installation Type A: free inlet hemispherical sone levels.



JencoFan, Div. of Soler & Palau Ventilation Group certifies that the Models TDB shown herein are licensed to bear the AMCA Seal. The ratings shown are based on test and procedures performed in accordance with AMCA Publication 211 and AMCA Publication 311 and comply with the requirement of the AMCA Certified Ratings Program.



Size 20

RPM	Sound Performance Sones / LwA (Inches w.g.)									
	0	0.125	0.25	0.375	0.5	0.625	0.75	0.875	1	1.125
1050	13.6 / 76	12.8 / 75	-	-	-	-	-	-	-	-
1100	14.9 / 77	14.2 / 77	-	-	-	-	-	-	-	-
1125	15.6 / 78	14.9 / 77	13.9 / 77	-	-	-	-	-	-	-
1150	16.2 / 79	15.6 / 78	14.7 / 77	-	-	-	-	-	-	-
1175	16.9 / 79	16.2 / 79	15.4 / 78	-	-	-	-	-	-	-
1225	18.2 / 81	17.6 / 80	16.9 / 79	-	-	-	-	-	-	-
1275	19.7 / 82	19 / 81	18.3 / 81	17.4 / 80	-	-	-	-	-	-
1300	20 / 82	19.8 / 82	19 / 81	18 / 81	-	-	-	-	-	-
1325	21 / 83	21 / 83	19.8 / 82	18.7 / 81	-	-	-	-	-	-
1375	23 / 84	22 / 84	21 / 83	20 / 83	19.9 / 83	-	-	-	-	-
1400	24 / 85	23 / 84	22 / 84	21 / 83	21 / 83	-	-	-	-	-
1450	25 / 86	25 / 85	24 / 85	23 / 84	22 / 84	-	-	-	-	-
1525	28 / 87	27 / 87	26 / 86	25 / 86	24 / 85	-	-	-	-	-
1575	29 / 88	28 / 88	27 / 87	27 / 87	26 / 86	25 / 86	-	-	-	-
1625	30 / 89	30 / 89	29 / 88	28 / 88	27 / 87	26 / 87	-	-	-	-
1675	32 / 90	31 / 90	30 / 89	29 / 89	28 / 88	27 / 88	27 / 88	-	-	-
1700	32 / 90	32 / 90	31 / 90	30 / 89	29 / 89	28 / 88	28 / 88	-	-	-
1775	34 / 91	34 / 91	33 / 91	32 / 90	31 / 90	30 / 90	29 / 89	30 / 90	-	-
1850	36 / 93	36 / 92	35 / 92	34 / 92	34 / 91	33 / 91	31 / 91	31 / 91	-	-
1925	39 / 94	38 / 94	37 / 93	37 / 93	36 / 93	35 / 92	34 / 92	33 / 92	34 / 92	-
1950	40 / 94	39 / 94	38 / 94	38 / 93	37 / 93	36 / 93	35 / 92	34 / 92	35 / 92	-
2000	42 / 95	41 / 95	40 / 94	40 / 94	39 / 94	38 / 94	37 / 93	36 / 93	36 / 93	-
2050	44 / 96	43 / 96	42 / 95	42 / 95	41 / 95	40 / 94	39 / 94	38 / 94	38 / 94	38 / 94
2075	45 / 96	44 / 96	43 / 96	43 / 95	42 / 95	41 / 95	40 / 95	39 / 94	38 / 94	39 / 94

The sound ratings shown are loudness values in fan sones at 1.5 m (5 ft) in a hemispherical free field calculated per AMCA International Standard 301. Values shown are for: Installation Type A: free inlet hemispherical sone levels.



JencoFan, Div. of Soler & Palau Ventilation Group certifies that the Models TDB shown herein are licensed to bear the AMCA Seal. The ratings shown are based on test and procedures performed in accordance with AMCA Publication 211 and AMCA Publication 311 and comply with the requirement of the AMCA Certified Ratings Program.



Size 24

RPM	Sound Performance Sones / LwA (Inches w.g.)								
	0	0.125	0.25	0.375	0.5	0.625	0.75	0.875	1
800	12.8 / 75	11.9 / 74	-	-	-	-	-	-	-
850	14.3 / 77	13.4 / 76	12.6 / 75	-	-	-	-	-	-
900	15.8 / 78	14.9 / 77	14 / 77	-	-	-	-	-	-
950	17.3 / 80	16.5 / 79	15.5 / 78	-	-	-	-	-	-
975	18.1 / 81	17.3 / 80	16.3 / 79	16.1 / 79	-	-	-	-	-
1025	19.6 / 82	18.8 / 81	18 / 81	17.6 / 80	-	-	-	-	-
1075	21 / 84	21 / 83	19.7 / 82	19.1 / 82	-	-	-	-	-
1125	23 / 85	22 / 84	22 / 84	21 / 83	21 / 83	-	-	-	-
1150	24 / 86	23 / 85	23 / 84	22 / 84	22 / 84	-	-	-	-
1200	26 / 87	25 / 86	25 / 86	24 / 85	23 / 85	-	-	-	-
1225	27 / 88	26 / 87	26 / 86	25 / 86	24 / 85	-	-	-	-
1250	28 / 88	28 / 88	27 / 87	26 / 86	25 / 86	25 / 86	-	-	-
1275	29 / 89	29 / 88	28 / 88	27 / 87	26 / 87	26 / 87	-	-	-
1325	32 / 90	31 / 90	30 / 89	29 / 88	28 / 88	28 / 88	-	-	-
1375	34 / 91	33 / 91	32 / 90	31 / 90	30 / 89	30 / 89	-	-	-
1425	36 / 92	35 / 92	34 / 91	33 / 91	32 / 90	31 / 90	31 / 90	-	-
1450	37 / 93	36 / 92	35 / 92	34 / 91	33 / 91	32 / 90	32 / 90	-	-
1500	39 / 94	38 / 93	37 / 93	36 / 92	35 / 92	34 / 91	34 / 91	34 / 91	-
1525	40 / 94	39 / 94	38 / 93	37 / 93	36 / 92	35 / 92	35 / 92	35 / 92	-
1550	41 / 94	41 / 94	40 / 94	38 / 93	37 / 93	36 / 92	36 / 92	36 / 92	-
1625	45 / 96	44 / 96	43 / 95	42 / 95	41 / 94	40 / 94	39 / 93	39 / 93	38 / 93
1675	47 / 97	47 / 97	46 / 96	44 / 96	43 / 95	42 / 95	41 / 94	41 / 94	41 / 94
1725	50 / 98	49 / 97	48 / 97	47 / 97	46 / 96	45 / 96	44 / 95	43 / 95	43 / 95
1775	52 / 98	52 / 98	51 / 98	50 / 98	49 / 97	48 / 97	46 / 96	45 / 96	45 / 96

The sound ratings shown are loudness values in fan sones at 1.5 m (5 ft) in a hemispherical free field calculated per AMCA International Standard 301. Values shown are for: Installation Type A: free inlet hemispherical sone levels.



JencoFan, Div. of Soler & Palau Ventilation Group certifies that the Models TDB shown herein are licensed to bear the AMCA Seal. The ratings shown are based on test and procedures performed in accordance with AMCA Publication 211 and AMCA Publication 311 and comply with the requirement of the AMCA Certified Ratings Program.



Size 30

RPM	Sound Performance Sones / LwA (Inches w.g.)									
	0	0.125	0.25	0.375	0.5	0.625	0.75	0.875	1	1.25
600	11.8 / 73	10.1 / 71	-	-	-	-	-	-	-	-
650	13.5 / 75	12 / 74	-	-	-	-	-	-	-	-
700	15.2 / 77	13.9 / 76	12.8 / 75	-	-	-	-	-	-	-
750	16.9 / 79	15.9 / 78	14.8 / 77	-	-	-	-	-	-	-
775	17.8 / 80	16.9 / 79	15.8 / 78	-	-	-	-	-	-	-
800	18.6 / 81	17.8 / 80	16.8 / 79	-	-	-	-	-	-	-
825	19.6 / 82	18.8 / 81	17.8 / 80	-	-	-	-	-	-	-
850	21 / 83	19.7 / 82	18.8 / 81	18.1 / 80	-	-	-	-	-	-
875	22 / 84	21 / 83	19.8 / 82	19.1 / 81	-	-	-	-	-	-
900	23 / 85	22 / 84	21 / 83	20 / 82	-	-	-	-	-	-
925	24 / 86	23 / 85	22 / 84	21 / 83	-	-	-	-	-	-
950	25 / 87	24 / 86	23 / 85	22 / 84	22 / 83	-	-	-	-	-
975	27 / 87	26 / 87	24 / 85	23 / 84	23 / 84	-	-	-	-	-
1025	29 / 89	28 / 88	27 / 87	26 / 86	25 / 86	-	-	-	-	-
1075	32 / 90	31 / 90	29 / 89	28 / 88	27 / 87	-	-	-	-	-
1100	34 / 91	33 / 91	31 / 89	29 / 89	29 / 88	28 / 88	-	-	-	-
1125	35 / 92	34 / 91	32 / 90	31 / 89	30 / 89	29 / 88	-	-	-	-
1150	37 / 93	36 / 92	34 / 91	32 / 90	31 / 89	30 / 89	-	-	-	-
1175	38 / 93	37 / 93	35 / 92	34 / 91	32 / 90	31 / 90	-	-	-	-
1200	39 / 94	38 / 93	37 / 92	35 / 91	33 / 91	32 / 90	32 / 90	-	-	-
1225	41 / 94	40 / 94	38 / 93	36 / 92	35 / 91	34 / 91	33 / 91	-	-	-
1275	43 / 95	42 / 95	41 / 94	39 / 93	38 / 93	36 / 92	36 / 92	-	-	-
1325	46 / 96	45 / 96	44 / 95	42 / 95	41 / 94	39 / 93	38 / 93	38 / 93	-	-
1375	49 / 97	48 / 97	47 / 96	45 / 96	44 / 95	42 / 95	41 / 94	41 / 94	-	-
1400	50 / 98	50 / 98	48 / 97	47 / 96	45 / 96	44 / 95	43 / 95	42 / 9	-	-
1475	55 / 99	54 / 99	53 / 99	51 / 98	50 / 98	49 / 97	48 / 97	46 / 96	46 / 96	-
1550	59 / 101	59 / 101	58 / 100	57 / 100	55 / 99	54 / 99	53 / 98	52 / 98	51 / 97	-
1600	63 / 101	63 / 101	61 / 101	60 / 101	59 / 100	58 / 100	56 / 99	55 / 99	54 / 98	53 / 98

The sound ratings shown are loudness values in fan sones at 1.5 m (5 ft) in a hemispherical free field calculated per AMCA International Standard 301. Values shown are for: Installation Type A: free inlet hemispherical sone levels.



JencoFan, Div. of Soler & Palau Ventilation Group certifies that the Models TDB shown herein are licensed to bear the AMCA Seal. The ratings shown are based on test and procedures performed in accordance with AMCA Publication 211 and AMCA Publication 311 and comply with the requirement of the AMCA Certified Ratings Program.



Size 34

RPM	Sound Performance Sones / LwA (Inches w.g.)										
	0	0.125	0.25	0.375	0.5	0.625	0.75	0.875	1	1.25	1.5
600	15.1 / 78	15.4 / 78	-	-	-	-	-	-	-	-	-
625	16.2 / 79	16.4 / 79	-	-	-	-	-	-	-	-	-
650	17.4 / 80	17.5 / 80	17.8 / 81	-	-	-	-	-	-	-	-
675	18.5 / 81	18.6 / 81	19 / 82	-	-	-	-	-	-	-	-
700	19.7 / 82	19.7 / 82	20 / 83	-	-	-	-	-	-	-	-
725	21 / 83	21 / 83	22 / 84	21 / 84	-	-	-	-	-	-	-
750	22 / 84	22 / 84	23 / 85	23 / 85	-	-	-	-	-	-	-
775	23 / 85	24 / 85	24 / 86	25 / 86	-	-	-	-	-	-	-
800	25 / 86	25 / 86	25 / 87	26 / 87	-	-	-	-	-	-	-
825	26 / 87	26 / 87	27 / 87	27 / 88	27 / 87	-	-	-	-	-	-
850	28 / 88	28 / 88	28 / 88	29 / 89	29 / 89	-	-	-	-	-	-
875	29 / 89	29 / 89	30 / 89	31 / 90	31 / 90	-	-	-	-	-	-
900	30 / 89	31 / 90	31 / 90	32 / 90	33 / 91	31 / 90	-	-	-	-	-
925	32 / 90	32 / 90	33 / 91	34 / 91	34 / 91	33 / 91	-	-	-	-	-
950	33 / 91	34 / 91	34 / 91	35 / 92	36 / 92	35 / 92	33 / 91	-	-	-	-
975	35 / 92	35 / 92	36 / 92	36 / 92	37 / 93	37 / 93	35 / 92	-	-	-	-
1025	38 / 93	38 / 93	38 / 93	39 / 93	39 / 94	40 / 94	39 / 94	37 / 93	-	-	-
1050	39 / 94	39 / 94	40 / 94	40 / 94	41 / 94	41 / 95	41 / 95	39 / 94	-	-	-
1100	43 / 95	43 / 95	43 / 95	43 / 95	44 / 96	44 / 96	44 / 96	43 / 95	-	-	-
1125	44 / 96	44 / 96	45 / 96	45 / 96	45 / 96	45 / 96	46 / 96	45 / 96	43 / 95	-	-
1175	48 / 97	48 / 97	48 / 97	48 / 97	48 / 97	48 / 97	49 / 98	49 / 98	47 / 97	-	-
1225	51 / 98	51 / 98	52 / 98	52 / 98	52 / 98	52 / 98	52 / 99	52 / 99	52 / 99	-	-
1275	55 / 99	55 / 99	55 / 99	55 / 99	55 / 99	55 / 100	55 / 100	55 / 100	56 / 100	-	-
1325	60 / 100	60 / 100	60 / 100	60 / 100	59 / 100	59 / 101	59 / 101	59 / 101	59 / 101	58 / 101	-
1375	64 / 101	64 / 101	64 / 101	64 / 101	64 / 102	64 / 102	63 / 102	64 / 102	64 / 102	64 / 102	-
1425	69 / 102	69 / 102	69 / 102	68 / 102	68 / 103	68 / 103	68 / 103	68 / 103	69 / 103	70 / 103	-
1475	74 / 103	74 / 103	73 / 103	73 / 103	73 / 103	72 / 104	73 / 104	73 / 104	74 / 104	75 / 104	74 / 104
1525	79 / 104	79 / 104	78 / 104	78 / 104	78 / 104	77 / 105	78 / 105	78 / 105	79 / 105	80 / 105	81 / 105

The sound ratings shown are loudness values in fan sones at 1.5 m (5 ft) in a hemispherical free field calculated per AMCA International Standard 301. Values shown are for: Installation Type A: free inlet hemispherical sone levels.



JencoFan, Div. of Soler & Palau Ventilation Group certifies that the Models TDB shown herein are licensed to bear the AMCA Seal. The ratings shown are based on test and procedures performed in accordance with AMCA Publication 211 and AMCA Publication 311 and comply with the requirement of the AMCA Certified Ratings Program.



Size 36

RPM	Sound Performance Sones / LwA (Inches w.g.)										
	0	0.125	0.25	0.375	0.5	0.625	0.75	0.875	1	1.25	1.5
650	18.3 / 80	17.2 / 80	-	-	-	-	-	-	-	-	-
675	19.5 / 81	18.3 / 81	17.6 / 81	-	-	-	-	-	-	-	-
700	21 / 82	19.5 / 82	18.7 / 82	-	-	-	-	-	-	-	-
725	22 / 83	21 / 83	19.8 / 83	-	-	-	-	-	-	-	-
750	23 / 84	22 / 84	21 / 83	21 / 84	-	-	-	-	-	-	-
775	24 / 85	23 / 85	22 / 84	22 / 84	-	-	-	-	-	-	-
800	26 / 86	25 / 86	23 / 85	23 / 85	-	-	-	-	-	-	-
825	27 / 87	26 / 87	25 / 86	24 / 86	24 / 86	-	-	-	-	-	-
875	30 / 89	29 / 89	27 / 88	27 / 88	26 / 88	-	-	-	-	-	-
900	32 / 90	30 / 90	29 / 89	28 / 89	28 / 89	-	-	-	-	-	-
925	33 / 91	32 / 90	31 / 90	30 / 89	29 / 89	-	-	-	-	-	-
950	35 / 92	34 / 91	32 / 91	31 / 90	31 / 90	30 / 90	-	-	-	-	-
975	36 / 92	35 / 92	34 / 91	33 / 91	32 / 91	32 / 91	-	-	-	-	-
1000	38 / 93	37 / 93	36 / 92	35 / 92	34 / 92	33 / 92	-	-	-	-	-
1025	40 / 94	39 / 94	38 / 93	36 / 93	36 / 92	35 / 92	35 / 92	-	-	-	-
1050	42 / 95	41 / 94	40 / 94	38 / 93	37 / 93	36 / 93	36 / 93	36 / 93	-	-	-
1100	45 / 96	44 / 96	43 / 95	42 / 95	41 / 94	40 / 94	39 / 94	39 / 94	-	-	-
1125	47 / 97	46 / 96	45 / 96	44 / 95	42 / 95	41 / 95	41 / 95	40 / 95	-	-	-
1150	49 / 97	48 / 97	47 / 96	45 / 96	44 / 96	43 / 96	42 / 96	42 / 96	-	-	-
1175	51 / 98	50 / 98	49 / 97	47 / 97	46 / 96	45 / 96	44 / 96	44 / 96	43 / 96	-	-
1225	55 / 99	54 / 99	53 / 98	51 / 98	50 / 98	49 / 97	48 / 97	47 / 97	47 / 97	-	-
1275	59 / 100	58 / 100	57 / 100	55 / 99	54 / 99	52 / 99	52 / 98	51 / 98	50 / 98	51 / 99	-
1350	66 / 102	65 / 102	63 / 101	62 / 101	60 / 101	59 / 100	58 / 100	57 / 100	56 / 100	55 / 100	-
1400	70 / 103	70 / 103	68 / 102	66 / 102	65 / 102	63 / 101	62 / 101	61 / 101	60 / 101	59 / 101	-
1450	75 / 104	74 / 104	73 / 103	71 / 103	69 / 103	68 / 102	66 / 102	65 / 102	65 / 102	64 / 102	-
1500	80 / 105	79 / 105	78 / 104	76 / 104	74 / 104	73 / 104	71 / 103	70 / 103	69 / 103	68 / 103	67 / 103
1550	85 / 106	85 / 106	83 / 105	81 / 105	79 / 105	78 / 105	76 / 104	75 / 104	74 / 104	73 / 104	72 / 104
1600	90 / 107	90 / 107	88 / 106	87 / 106	85 / 106	83 / 106	81 / 105	80 / 105	78 / 105	77 / 105	76 / 105

The sound ratings shown are loudness values in fan sones at 1.5 m (5 ft) in a hemispherical free field calculated per AMCA International Standard 301. Values shown are for: Installation Type A: free inlet hemispherical sone levels.



JencoFan, Div. of Soler & Palau Ventilation Group certifies that the Models TDB shown herein are licensed to bear the AMCA Seal. The ratings shown are based on test and procedures performed in accordance with AMCA Publication 211 and AMCA Publication 311 and comply with the requirement of the AMCA Certified Ratings Program.



Size 42

RPM	Sound Performance Sones / LwA (Inches w.g.)										
	0	0.125	0.25	0.375	0.5	0.625	0.75	0.875	1	1.25	1.5
480	17 / 80	16.5 / 79	-	-	-	-	-	-	-	-	-
520	19.4 / 82	18.9 / 82	17.2 / 80	-	-	-	-	-	-	-	-
560	22 / 84	21 / 84	21 / 83	-	-	-	-	-	-	-	-
600	24 / 86	24 / 86	23 / 85	-	-	-	-	-	-	-	-
640	27 / 88	27 / 88	26 / 87	24 / 86	-	-	-	-	-	-	-
660	29 / 89	28 / 89	28 / 88	26 / 87	-	-	-	-	-	-	-
680	30 / 90	30 / 89	29 / 89	28 / 88	-	-	-	-	-	-	-
700	32 / 91	31 / 90	31 / 90	30 / 89	-	-	-	-	-	-	-
720	33 / 91	33 / 91	32 / 91	31 / 90	29 / 88	-	-	-	-	-	-
740	35 / 92	34 / 92	34 / 92	33 / 91	31 / 90	-	-	-	-	-	-
760	37 / 93	36 / 93	35 / 92	35 / 92	33 / 91	-	-	-	-	-	-
800	40 / 94	40 / 94	39 / 94	38 / 93	37 / 93	-	-	-	-	-	-
820	42 / 95	42 / 95	41 / 95	40 / 94	39 / 94	37 / 92	-	-	-	-	-
840	44 / 96	44 / 96	43 / 95	42 / 95	41 / 95	39 / 94	-	-	-	-	-
860	46 / 96	46 / 96	45 / 96	44 / 96	43 / 95	42 / 95	-	-	-	-	-
900	49 / 98	49 / 97	49 / 97	48 / 97	47 / 97	46 / 96	44 / 95	-	-	-	-
940	53 / 99	53 / 99	52 / 98	51 / 98	50 / 98	50 / 98	48 / 97	46 / 96	-	-	-
980	57 / 100	57 / 100	56 / 100	55 / 99	54 / 99	54 / 99	53 / 99	50 / 98	-	-	-
1020	61 / 101	61 / 101	60 / 101	59 / 100	59 / 100	58 / 100	57 / 100	55 / 99	-	-	-
1060	65 / 102	65 / 102	65 / 102	64 / 102	63 / 101	62 / 101	61 / 101	61 / 101	58 / 100	-	-
1100	70 / 103	70 / 103	69 / 103	68 / 103	68 / 102	67 / 102	66 / 102	65 / 102	64 / 101	-	-
1140	75 / 104	75 / 104	74 / 104	73 / 104	73 / 103	72 / 103	71 / 103	70 / 103	69 / 103	-	-
1180	80 / 105	80 / 105	79 / 105	79 / 105	78 / 104	77 / 104	76 / 104	75 / 104	74 / 104	-	-
1200	82 / 105	82 / 105	82 / 105	81 / 105	80 / 105	80 / 105	79 / 105	78 / 104	77 / 104	74 / 103	-
1240	88 / 106	88 / 106	87 / 106	86 / 106	86 / 106	85 / 106	84 / 106	83 / 105	82 / 105	80 / 105	-
1260	90 / 107	90 / 107	90 / 107	89 / 106	88 / 106	88 / 106	87 / 106	86 / 106	85 / 106	83 / 105	-
1300	96 / 107	96 / 107	96 / 107	95 / 107	94 / 107	93 / 107	93 / 107	92 / 107	91 / 107	89 / 106	86 / 106

The sound ratings shown are loudness values in fan sones at 1.5 m (5 ft) in a hemispherical free field calculated per AMCA International Standard 301. Values shown are for: Installation Type A: free inlet hemispherical sone levels.



JencoFan, Div. of Soler & Palau Ventilation Group certifies that the Models TDB shown herein are licensed to bear the AMCA Seal. The ratings shown are based on test and procedures performed in accordance with AMCA Publication 211 and AMCA Publication 311 and comply with the requirement of the AMCA Certified Ratings Program.



Size 48

RPM	Sound Performance Sones / LwA (Inches w.g.)											
	0	0.125	0.25	0.375	0.5	0.625	0.75	0.875	1	1.25	1.5	
460	21 / 82	20 / 82	19.8 / 81	-	-	-	-	-	-	-	-	-
480	23 / 84	22 / 83	22 / 83	-	-	-	-	-	-	-	-	-
500	24 / 85	24 / 84	23 / 84	-	-	-	-	-	-	-	-	-
520	27 / 86	26 / 86	26 / 85	25 / 85	-	-	-	-	-	-	-	-
540	29 / 87	29 / 87	28 / 86	27 / 86	-	-	-	-	-	-	-	-
560	32 / 88	32 / 88	30 / 87	29 / 87	-	-	-	-	-	-	-	-
580	35 / 89	34 / 89	33 / 89	32 / 88	30 / 88	-	-	-	-	-	-	-
600	38 / 90	38 / 90	36 / 90	34 / 89	33 / 89	-	-	-	-	-	-	-
620	41 / 91	41 / 91	39 / 91	37 / 90	36 / 90	-	-	-	-	-	-	-
640	43 / 92	43 / 92	42 / 92	40 / 91	38 / 91	-	-	-	-	-	-	-
660	45 / 93	45 / 93	44 / 93	42 / 92	41 / 92	39 / 92	-	-	-	-	-	-
680	47 / 94	47 / 94	46 / 93	44 / 93	43 / 93	42 / 92	41 / 92	-	-	-	-	-
720	52 / 95	52 / 95	51 / 95	49 / 95	48 / 95	46 / 94	45 / 94	-	-	-	-	-
760	57 / 97	57 / 97	56 / 97	54 / 97	53 / 96	52 / 96	51 / 96	50 / 96	-	-	-	-
780	59 / 98	59 / 98	59 / 98	57 / 97	56 / 97	54 / 97	54 / 97	53 / 97	-	-	-	-
820	64 / 99	64 / 99	64 / 99	63 / 99	61 / 99	60 / 99	60 / 98	59 / 98	58 / 98	58 / 98	-	-
860	70 / 101	70 / 101	70 / 101	69 / 100	68 / 100	67 / 100	66 / 100	66 / 100	65 / 100	64 / 99	64 / 99	-
880	73 / 101	73 / 101	73 / 101	72 / 101	71 / 101	71 / 101	70 / 101	69 / 101	68 / 100	67 / 100	67 / 100	-
900	77 / 102	77 / 102	77 / 102	76 / 102	75 / 102	75 / 102	74 / 101	73 / 101	72 / 101	71 / 101	70 / 101	-
940	85 / 103	85 / 103	85 / 103	84 / 103	83 / 103	82 / 103	81 / 103	80 / 103	79 / 103	79 / 102	78 / 102	-
960	89 / 104	89 / 104	89 / 104	89 / 104	88 / 104	87 / 104	86 / 104	85 / 103	84 / 103	83 / 103	82 / 103	-
980	94 / 105	94 / 105	94 / 105	93 / 105	92 / 105	91 / 104	90 / 104	89 / 104	88 / 104	87 / 104	86 / 104	-
1000	99 / 105	99 / 105	99 / 105	98 / 105	97 / 105	96 / 105	94 / 105	93 / 105	92 / 105	91 / 104	90 / 104	-

The sound ratings shown are loudness values in fan sones at 1.5 m (5 ft) in a hemispherical free field calculated per AMCA International Standard 301. Values shown are for: Installation Type A: free inlet hemispherical sone levels.



JencoFan, Div. of Soler & Palau Ventilation Group certifies that the Models TDB shown herein are licensed to bear the AMCA Seal. The ratings shown are based on test and procedures performed in accordance with AMCA Publication 211 and AMCA Publication 311 and comply with the requirement of the AMCA Certified Ratings Program.



Size 54

RPM	Sound Performance Sones / LwA (Inches w.g.)										
	0	0.125	0.25	0.375	0.5	0.625	0.75	0.875	1	1.125	1.5
460	29 / 87	27 / 86	25 / 85	-	-	-	-	-	-	-	-
480	31 / 88	29 / 87	28 / 87	-	-	-	-	-	-	-	-
500	33 / 89	32 / 89	30 / 88	29 / 87	-	-	-	-	-	-	-
520	36 / 90	34 / 90	33 / 89	31 / 88	-	-	-	-	-	-	-
560	42 / 93	40 / 92	38 / 92	37 / 91	-	-	-	-	-	-	-
580	44 / 93	43 / 93	41 / 93	39 / 92	-	-	-	-	-	-	-
600	47 / 95	45 / 94	44 / 94	42 / 93	41 / 93	-	-	-	-	-	-
620	50 / 96	48 / 95	47 / 95	45 / 94	44 / 94	-	-	-	-	-	-
660	56 / 97	55 / 97	53 / 97	51 / 96	50 / 96	48 / 95	-	-	-	-	-
680	60 / 98	58 / 98	56 / 97	55 / 97	53 / 97	51 / 96	-	-	-	-	-
700	63 / 99	62 / 99	60 / 98	58 / 98	56 / 98	55 / 97	-	-	-	-	-
720	66 / 100	65 / 100	63 / 99	62 / 99	60 / 99	58 / 98	57 / 98	-	-	-	-
740	70 / 101	68 / 101	67 / 100	65 / 100	64 / 100	62 / 99	60 / 99	-	-	-	-
760	74 / 102	72 / 101	71 / 101	69 / 101	67 / 100	66 / 100	64 / 100	-	-	-	-
780	78 / 102	76 / 102	75 / 102	73 / 101	71 / 101	69 / 101	68 / 101	66 / 100	-	-	-
800	82 / 103	80 / 103	78 / 103	76 / 102	75 / 102	74 / 102	72 / 101	70 / 101	-	-	-
840	90 / 105	89 / 104	87 / 104	85 / 104	84 / 104	82 / 103	80 / 103	79 / 103	77 / 102	-	-
860	95 / 105	93 / 105	91 / 105	89 / 104	88 / 104	86 / 104	85 / 104	83 / 104	81 / 103	79 / 103	-
880	99 / 106	97 / 106	96 / 105	94 / 105	93 / 105	91 / 105	89 / 105	87 / 104	86 / 104	84 / 104	-
900	104 / 106	103 / 107	100 / 106	98 / 106	97 / 106	96 / 106	94 / 105	92 / 105	90 / 105	89 / 105	87 / 104

The sound ratings shown are loudness values in fan sones at 1.5 m (5 ft) in a hemispherical free field calculated per AMCA International Standard 301. Values shown are for: Installation Type A: free inlet hemispherical sone levels.



JencoFan, Div. of Soler & Palau Ventilation Group certifies that the Models TDB shown herein are licensed to bear the AMCA Seal. The ratings shown are based on test and procedures performed in accordance with AMCA Publication 211 and AMCA Publication 311 and comply with the requirement of the AMCA Certified Ratings Program.



Size 60

RPM	Sound Performance Sones / LwA (Inches w.g.)									
	0	0.125	0.25	0.375	0.5	0.625	0.75	0.875	1	1.125
520	34 / 89	30 / 87	29 / 87	32 / 87	-	-	-	-	-	-
540	37 / 90	33 / 89	31 / 88	34 / 88	-	-	-	-	-	-
560	40 / 91	36 / 90	33 / 89	36 / 89	38 / 89	-	-	-	-	-
580	43 / 92	39 / 91	36 / 90	39 / 90	41 / 90	-	-	-	-	-
600	46 / 93	42 / 92	39 / 91	41 / 91	44 / 91	45 / 91	-	-	-	-
620	49 / 94	46 / 93	42 / 92	43 / 92	47 / 92	48 / 92	-	-	-	-
640	53 / 95	49 / 94	45 / 93	45 / 93	49 / 93	52 / 93	-	-	-	-
660	57 / 96	53 / 95	49 / 94	48 / 93	52 / 94	56 / 94	-	-	-	-
680	60 / 96	56 / 96	53 / 95	50 / 94	54 / 95	59 / 95	60 / 95	-	-	-
700	64 / 97	60 / 97	56 / 96	53 / 95	57 / 95	62 / 96	64 / 96	-	-	-
720	69 / 98	64 / 97	60 / 97	57 / 96	59 / 96	64 / 97	69 / 97	69 / 97	-	-
740	72 / 99	68 / 98	64 / 98	60 / 97	62 / 97	67 / 97	73 / 98	74 / 98	-	-
760	75 / 100	71 / 99	67 / 98	64 / 98	63 / 98	69 / 98	75 / 98	78 / 99	78 / 99	-
780	78 / 101	74 / 100	71 / 99	67 / 99	65 / 98	70 / 99	76 / 99	81 / 99	81 / 99	-
800	82 / 101	78 / 101	74 / 100	70 / 99	67 / 99	72 / 99	77 / 100	83 / 100	85 / 100	-
820	85 / 102	81 / 101	77 / 101	74 / 100	71 / 100	74 / 100	79 / 100	85 / 101	89 / 101	-
840	89 / 103	85 / 102	81 / 102	77 / 101	74 / 100	76 / 100	80 / 101	86 / 101	92 / 102	92 / 102
860	93 / 103	89 / 103	85 / 102	81 / 102	78 / 101	77 / 101	82 / 101	88 / 102	94 / 102	96 / 102
880	96 / 104	92 / 104	89 / 103	85 / 103	81 / 102	80 / 102	84 / 102	89 / 102	96 / 103	100 / 103
900	100 / 105	96 / 104	92 / 104	89 / 103	85 / 103	82 / 102	86 / 103	91 / 103	97 / 103	104 / 104

The sound ratings shown are loudness values in fan sones at 1.5 m (5 ft) in a hemispherical free field calculated per AMCA International Standard 301. Values shown are for: Installation Type A: free inlet hemispherical sone levels.



JencoFan, Div. of Soler & Palau Ventilation Group certifies that the Models TDB shown herein are licensed to bear the AMCA Seal. The ratings shown are based on test and procedures performed in accordance with AMCA Publication 211 and AMCA Publication 311 and comply with the requirement of the AMCA Certified Ratings Program.

MODEL TDD

DIRECT DRIVE TUBEAXIAL DUCT FAN



MODEL FEATURES

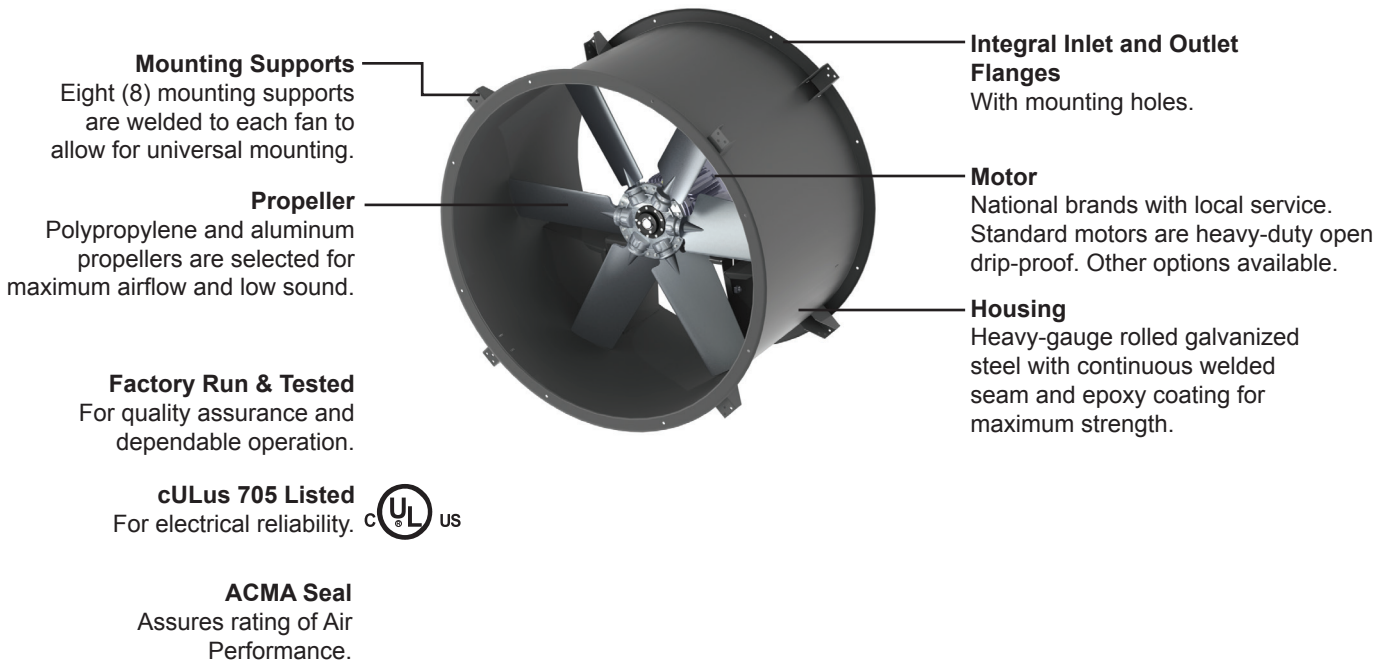
- Rated up to 39,000 CFM in static pressure applications up to 1-1/4" w.g.
- Direct drive units have low sound levels and quiet operation
- Smaller sizes for areas with reduced airflow needs
- Require practically no maintenance
- AMCA Air Licensed

MODEL OVERVIEW

JencoFan's tubeaxial line offers the widest range of sizes, horsepower and performance in the industry. Models TDD are high capacity tubeaxial fans rated from 800 to 39,000 CFM, with static pressure capability up to 1-1/4". They are used to exhaust air from or supply air to such typical commercial and industrial applications as general building ventilation, enclosed garages, paint spray booths, heat and smoke ventilation systems and other applications where air is moved through a duct system against moderate static pressure.

Direct drive Models TDD are best used for exhausting or supplying relatively clean ambient temperature air. They are available in smaller sizes for areas with reduced airflow needs and require practically no maintenance.

CONSTRUCTION FEATURES AND OPTIONS



2 year fan housing warranty, 1 year motor warranty

All specifications are subject to change without notice unless approved in submittal by JencoFan.



CONSTRUCTION/SPECIFICATION CHECKLIST

Fan Housing

- Heavy-gauge rolled galvanized steel construction.
- Integral inlet and outlet flanges with mounting holes.
- Continuous welded and epoxy coated.
- Eight mounting supports welded to each fan.
- Rolled steel flange reinforcement on each end.

Propeller (Sizes 12 - 18)

- Polypropylene blades.
- Steel bushing.
- Blades are pitched for optimum efficiency.
- Statically and dynamically balanced.
- Aluminum blades are optional (by special quote only).

Propeller (Sizes 20-48)

- Three, five or six wing airfoil aluminum blades.
- Steel or aluminum hub plate with steel bushing.
- Blades are pitched for optimum efficiency.
- Statically and dynamically balanced.
- Polypropylene blades are optional (by special quote only).

Motors

- One year motor warranty.
- Brands are nationally recognized and locally serviced.
- Open drip-proof construction is standard.
- Premium-efficiency, explosion proof, totally enclosed fan cooled (TEFC) and corrosion duty motors can be specified.

Certifications

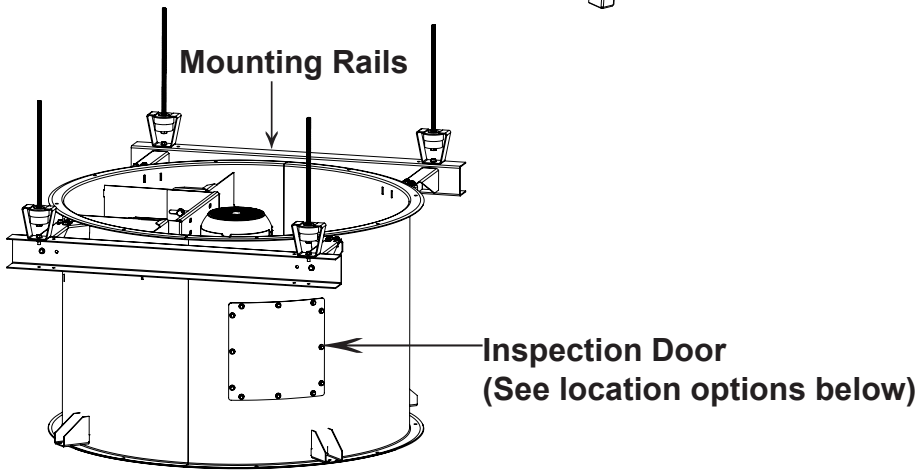
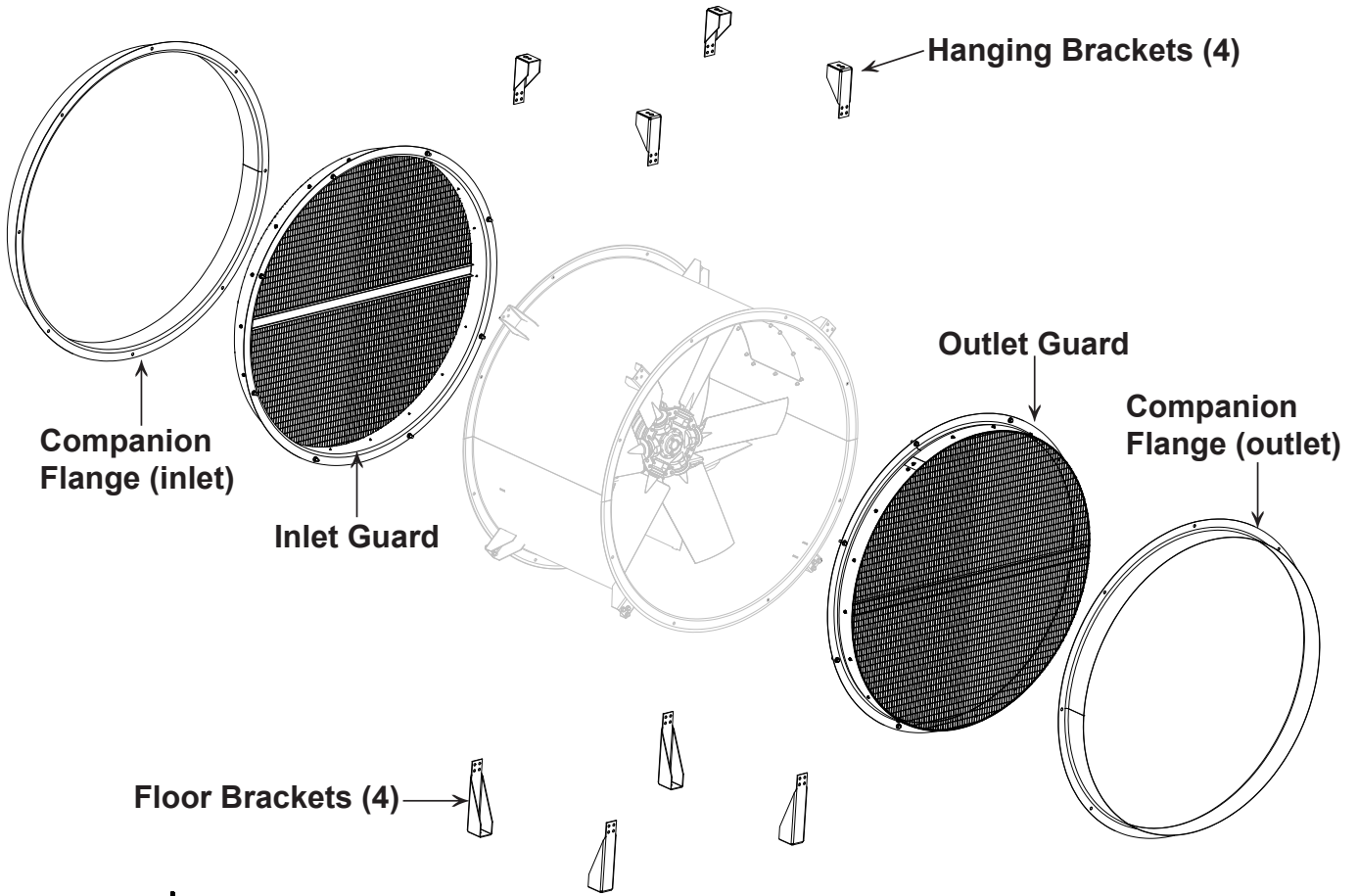
- cULus 705 Listed.
- AMCA Air Licensed.

Entire Fan Unit

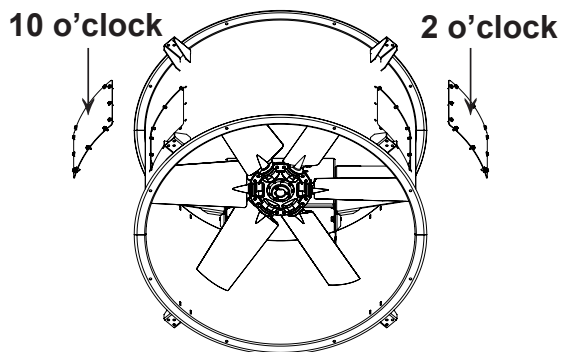
- Factory assembled and tested prior to shipment for quality assurance.



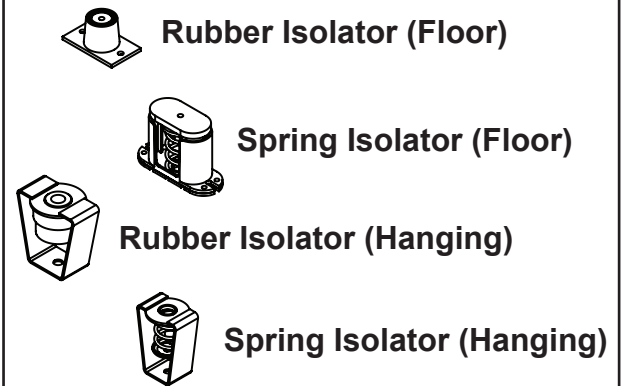
OPTIONS/ACCESSORIES



Inspection Door Location Options



Floor or Hanging Isolator Options





OPTIONS/ACCESSORIES

Hanging & Floor Brackets: For base or ceiling mounting. Neoprene and spring isolators are available.

Mounting Rails: Designed for vertical and horizontal mounting. Rail kits include mounting brackets. Vertical mounting available by special quote on sizes 34-48”.

Inlet/Outlet Guard: Prevents objects from entering the fan inlet or outlet. Includes companion flange.

Inspection Door: For inspection and blade service/cleaning. Bolted. Not available on sizes 12 and 16.

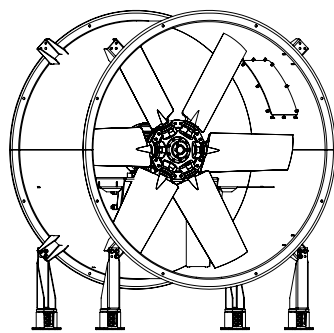
Companion Flanges: Inlet and/or outlet flanges are available for duct connection.

Disconnect Switch: Nonfused safety disconnect available for all motor sizes and enclosures. Specify prewired if desired. (Wiring not available on explosion proof and two speed motors).

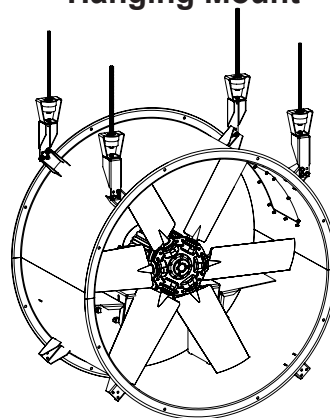
Special Coatings (*Epoxy Coating is Standard*): For protective and decorative purposes. Available coatings include: Synthetic Resin and Heresite (air-dried phenolic). Contact your representative or the factory for more information on available coatings and colors.

MOUNTING CONFIGURATIONS

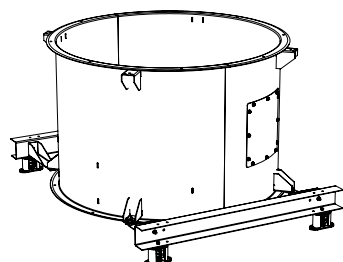
Floor Mount



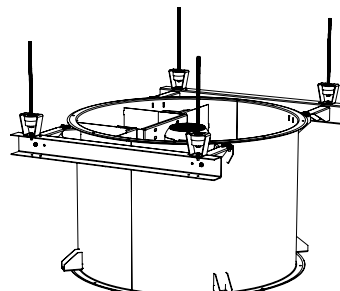
Hanging Mount



Vertical Rail Floor Mount



Vertical Rail Hanging Mount



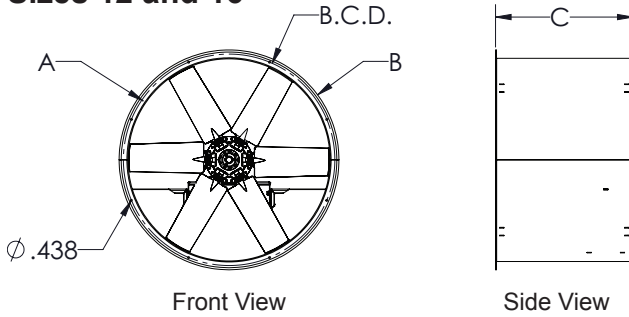
Vertical mounting available on special quote on sizes 34-48”.

Note: The 12 & 16 are designed to mount to a supported duct work and do not have all mounting configurations.



PERFORMANCE & DIMENSIONS

Sizes 12 and 16

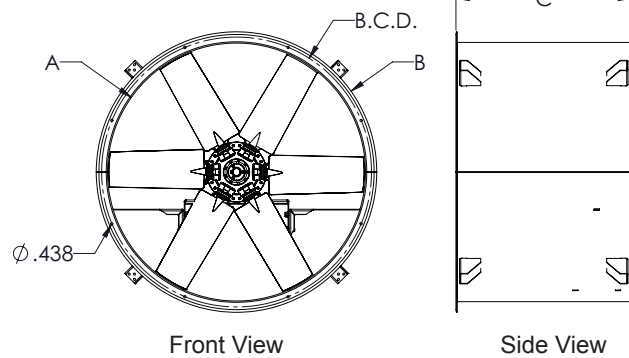


	12	16	18	20	24
Max. Motor Frame:	56	56	145T	145T	213T
Housing Gauge:	16	16	14	14	12
Approx. Weight:	90	108	150	178	273
Flange Holes:	6	8	8	8	8
Diameter Flange Holes:	7/16"				
Finish:	Epoxy Coated Galvanized				

Size	A	B	C*	B.C.D.
12	12-3/8	15	12	13-1/2
16	16-3/8	18-7/8	16-1/2	17-3/8
18	18-3/8	22-1/2	22	19-3/4
20	20-3/8	24-1/2	22	21-3/4
24	24-3/8	28-5/8	23	25-3/4

A: ID B: OD C: Length (*motor may extend past unit)

Sizes 18, 20 and 24



Model	HP	Nominal RPM	Max Watts	Static Pressure (Inches W.G.)								Sones @ 5 ft		
				0	0.125	0.25	0.375	0.5	0.625	0.75	0.875		1	1.25
				CFM										
12	1/4	1140	200	855	-	-	-	-	-	-	-	-	-	15.9
	1/4	1725	210	1330	1215	-	-	-	-	-	-	-	-	17
	1/3	1725	275	1545	1420	-	-	-	-	-	-	-	-	17
16	1/3	1140	218	2220	1965	-	-	-	-	-	-	-	-	16.1
	1/2	1725	415	3000	2805	2551	2207	-	-	-	-	-	-	19.5
	3/4	1725	615	3341	3200	3024	2801	2445	-	-	-	-	-	22.4
18	1/3	1140	260	3160	2715	-	-	-	-	-	-	-	-	16.3
	1/2	1140	355	3500	3191	2667	-	-	-	-	-	-	-	17.8
	1	1725	742	4709	4458	4167	3790	3305	-	-	-	-	-	22.6
	1-1/2	1725	1025	5326	5147	4950	4703	4364	3875	-	-	-	-	25.1
20	1/4	1725	185	1713	1249	733	-	-	-	-	-	-	-	23
	1/3	1725	251	1835	1578	1281	990	726	-	-	-	-	-	29.3
	1/2	1725	351	2451	2208	1915	1584	1275	1002	752	-	-	-	28.2
	3/4	1725	603	4469	4160	3818	3423	2775	-	-	-	-	-	23.2
	1	1725	805	4877	4611	4361	3995	3487	2617	-	-	-	-	24.2
24	1/4	1140	219	2777	-	-	-	-	-	-	-	-	-	17.5
	1/3	1140	278	4711	3876	-	-	-	-	-	-	-	-	18.1
	3/4	1140	620	6562	5996	5312	3583	-	-	-	-	-	-	21.5
	1-1/2	1725	1155	7812	7304	6775	6084	5013	3777	-	-	-	-	25.9
	2	1725	1273	8967	-	-	-	-	-	-	-	-	-	32.3
	3	1725	2536	9982	9659	9324	8951	8481	7980	6674	4395	3383	-	31.3

Performance certified is for installation type A: free inlet, free outlet. Performance ratings do not include the effects of appurtenances (accessories). The AMCA Certified Ratings Seal applies to air performance ratings only. Speed (rpm or rps) shown is nominal. Performance is based on actual speed of test.

Sound data is calculated and should be used as a guideline only.

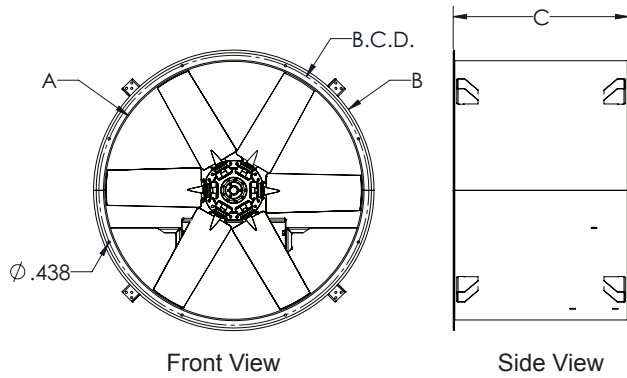


JencoFan, Div. of Soler & Palau Ventilation Group certifies that the Models TDD shown herein are licensed to bear the AMCA Seal. The ratings shown are based on test and procedures performed in accordance with AMCA Publication 211 and comply with the requirement of the AMCA Certified Ratings Program.





Sizes 30, 34 and 36



Max. Motor Frame: 215T
Housing Gauge: 30" & 34" = 12
 36" = 10
Approximate Weight: 30" = 320 lbs.
 34" = 457 lbs
 36" = 532 lbs.
Flange Holes: 8
Diameter Flange Holes: 7/16"
Finish: Epoxy Coated Galvanized

Size	A	B	C*	B.C.D.
30	30-3/8	34-5/8	24	32
34	34-3/8	38-5/8	27	36-3/8
36	36-3/8	40-5/8	29	38

A: ID B: OD C: Length (*motor may extend past unit)

Model	HP	Nominal RPM	Max Watts	Static Pressure (Inches W.G.)										Sones @ 5 ft		
				0	0.125	0.25	0.375	0.5	0.625	0.75	0.875	1	1.25			
				CFM												
30	1/2	870	336	6319	5167	3296	-	-	-	-	-	-	-	-	-	19.4
	3/4	870	595	8990	7855	6280	3212	-	-	-	-	-	-	-	-	19.9
	1	870	797	9468	8661	7819	6771	5360	3234	-	-	-	-	-	-	20.5
	3/4	1140	551	8385	7534	6540	5448	4011	2159	-	-	-	-	-	-	24.4
	1	1140	832	10585	9743	8827	7746	6359	-	-	-	-	-	-	-	21.9
	1-1/2	1140	1313	11098	10452	9735	8984	8143	6777	5128	3758	2619	-	-	-	25.7
	2	1140	1750	13541	12564	11525	10230	8375	6456	-	-	-	-	-	-	26.2
	3	1725	2319	15937	15385	14804	14223	13662	13060	12382	11695	10903	8911	-	-	35.1
34	1	870	803	11681	10459	9210	7659	4988	-	-	-	-	-	-	-	26.5
	2	870	1540	15841	14547	12937	10715	6852	-	-	-	-	-	-	-	27.3
	3	870	2281	16850	15391	13589	11557	9249	7712	6359	4513	-	-	-	-	28.8
	1	1140	700	10873	9714	8535	7155	5418	-	-	-	-	-	-	-	32.7
	1-1/2	1140	1180	14766	13747	12470	10984	9415	7236	-	-	-	-	-	-	33.3
	2	1140	1643	15466	14775	14072	13295	12520	11585	10508	9005	7305	-	-	-	33.6
	3	1140	2211	15781	15184	14448	13650	12866	11863	10883	9536	7838	-	-	-	34.3
	3	1725	1641	14231	13414	12646	11985	11211	10502	9634	8675	7677	5126	-	-	40.3
36	5	1725	3742	20532	19726	19003	18243	17341	16590	15783	14907	13951	-	-	-	44.8
	7-1/2	1725	5910	25386	24606	23903	23253	22346	21572	20616	19657	18769	-	-	-	47.3
	10	1725	7640	27099	26381	25610	24747	23841	22917	21981	-	-	-	-	-	44.8
	1/2	870	388	8768	6696	4555	-	-	-	-	-	-	-	-	-	39.8
	3/4	870	623	9599	8489	7315	5885	4180	-	-	-	-	-	-	-	40
	1	870	777	12145	11036	9590	7834	4689	-	-	-	-	-	-	-	38.9
	2	870	1506	16923	15640	14138	12527	-	-	-	-	-	-	-	-	38.1
	3	870	2190	19939	18710	17270	15332	-	-	-	-	-	-	-	-	39.6
36	1	1140	734	9845	8814	7898	6881	5692	4415	3162	-	-	-	-	-	47.9
	1-1/2	1140	1233	13912	13020	12080	11053	9977	8644	7052	-	-	-	-	-	44
	2	1140	1605	16118	15216	14206	13311	12265	11058	-	-	-	-	-	-	44.2
	3	1140	2357	19585	18583	17641	16720	15723	14450	12497	-	-	-	-	-	43.8
	5	1140	3585	23209	22247	21168	20193	19062	17740	16319	-	-	-	-	-	45.7
	5	1725	3774	22503	21681	20924	20030	19290	18590	17608	16516	15362	-	-	-	77.8
	7-1/2	1725	5482	27426	26625	25742	24940	24009	23336	22403	21632	20529	17741	-	-	83.8
	10	1725	7734	27645	27396	26953	26496	26020	25526	25108	24665	24191	23029	-	-	85.8

Performance certified is for installation type A: free inlet, free outlet. Performance ratings do not include the effects of appurtenances (accessories). The AMCA Certified Ratings Seal applies to air performance ratings only. Speed (rpm or rps) shown is nominal. Performance is based on actual speed of test.

Sound data is calculated and should be used as a guideline only.

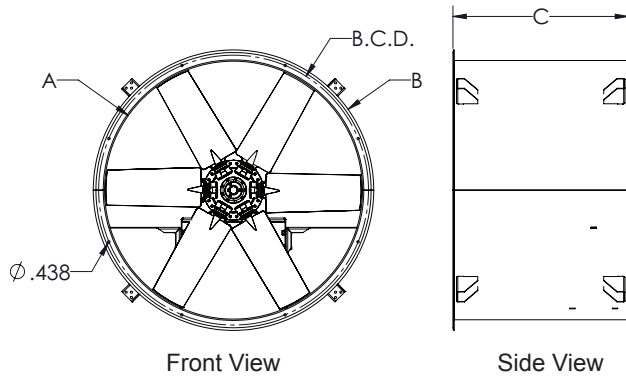


JencoFan, Div. of Soler & Palau Ventilation Group certifies that the Models TDD shown herein are licensed to bear the AMCA Seal. The ratings shown are based on test and procedures performed in accordance with AMCA Publication 211 and comply with the requirement of the AMCA Certified Ratings Program.





Sizes 42 and 48



Max. Motor Frame: 256T
 Housing Gauge: 10
 Approximate Weight: 42" = 738 lbs.
 48" = 834 lbs.
 Flange Holes: 8
 Diameter Flange Holes: 7/16"
 Finish: Epoxy Coated Galvanized

Size	A	B	C*	B.C.D
42	42-1/2	46-3/4	30	44-1/4
48	48-1/2	52-3/4	33	50-3/4

A: ID B: OD C: Length (*motor may extend past unit)

Model	HP	Nominal RPM	Max Watts	Static Pressure (Inches W.G.)										Sones @ 5 ft	
				0	0.125	0.25	0.375	0.5	0.625	0.75	0.875	1	1.25		
				CFM											
42	1	870	827	14852	13115	11297	-	-	-	-	-	-	-	-	51.6
	1-1/2	870	1052	16770	14891	12732	9764	-	-	-	-	-	-	-	47.9
	2	870	1465	19453	17432	15438	13232	-	-	-	-	-	-	-	45.4
	3	870	2285	23340	21467	19524	14841	-	-	-	-	-	-	-	48.6
	5	870	3549	28037	25801	23523	20105	15400	-	-	-	-	-	-	48.9
	1-1/2	1140	1144	15712	14284	12308	10623	8050	5282	-	-	-	-	-	46.5
	2	1140	1674	18673	17304	15722	13733	11550	8942	5461	-	-	-	-	48.7
	3	1140	2376	22901	21599	20463	18932	17728	16082	-	-	-	-	-	53.6
	5	1140	3856	26764	25256	23923	22351	20815	18986	15351	-	-	-	-	50.3
	7-1/2	1140	6044	33612	32257	30801	29238	27936	26242	-	-	-	-	-	51.9
48	10	1140	7971	33813	32945	32039	31300	30495	29740	28839	27980	27160	24777	52.3	
	2	870	1560	21749	19771	17626	15403	12476	9330	-	-	-	-	92.4	
	3	870	2417	26784	24879	22874	20641	17950	14239	-	-	-	-	55.4	
	5	870	4034	29978	28722	27401	26053	24747	23134	21353	19038	-	-	53.4	
	7-1/2	1140	6205	33555	32536	31630	30588	29507	28681	27606	26875	25782	-	92.4	
	10	1140	8560	40194	39319	38344	37469	36576	35415	34256	33130	32324	-	95	

Performance certified is for installation type A: free inlet, free outlet. Performance ratings do not include the effects of appurtenances (accessories). The AMCA Certified Ratings Seal applies to air performance ratings only. Speed (rpm or rps) shown is nominal. Performance is based on actual speed of test.

Sound data is calculated and should be used as a guideline only.



JencoFan, Div. of Soler & Palau Ventilation Group certifies that the Models TDD shown herein are licensed to bear the AMCA Seal. The ratings shown are based on test and procedures performed in accordance with AMCA Publication 211 and comply with the requirement of the AMCA Certified Ratings Program.



MODEL DA

COMPACT DUCT AXIAL FAN



MODEL FEATURES

- Exhaust air up to 4,750 CFM with static pressure capabilities to .35" w.g.
- Constructed from die cast aluminum and finished in a black polyester paint coating
- All models include asynchronous induction capacitor run and start motors
- Low profile design
- Class F motor insulation

MODEL OVERVIEW

The JencoFan COMPACT DUCT AXIAL FANS feature, as the name suggests, an extremely compact design created by the combination of an external rotor motor matched with a direct drive wrap around an impeller hub. This very low profile design optimizes airflow performance while minimizing noise generation.

The JencoFan COMPACT DUCT AXIAL FANS are designed to be installed in-line with inducted or partially ducted ventilation systems for exhaust or supply air applications.

All JencoFan COMPACT DUCT AXIAL FANS feature cylindrical flanged casings manufactured from a high grade rolled galvanized steel plate. The motor and impeller assembly are firmly supported within the casing by a strong steel support frame. All models are supplied with a prewired junction box located on the outside of the fan casing for easy wiring access. This terminal box protects all wiring connections against the ingress of dust and moisture. The entire assembly is protected by a two stage primer and a tough corrosion and UV resistant polyester paint finish.

Model DA is available
in our Quickship program.
All sizes are available for next
day shipping from stock.



5 year fan housing and motor warranty

CONSTRUCTION/SPECIFICATION CHECKLIST

Motor

- All models include asynchronous induction capacitor run and start motors.
- Constructed from die cast aluminum and finished in a black polyester paint coating.
- 100% Speed controllable.
- Totally enclosed IP/65 protection.
- Class F insulation.
- Suitable working temperatures -40°C (-40°F) up to 60°C (140°F).
- All models include a Safety Auto Reset Thermal Overload Protection.

Terminal Box

- Manufactured from high impact grade aluminum.
- IP65 protected.

Wheel / Impeller

- Manufactured from glass filled UV resistant polyamide.
- Special Order: Die cast aluminum. Please inquire.
- Corrosion and weather resistant.

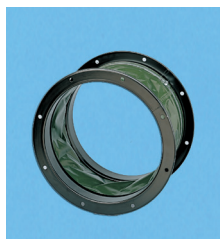
ACCESSORIES



SC 15
Variable speed control



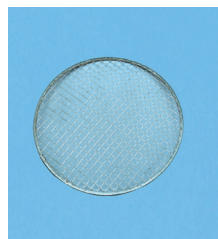
BRIDA
Round duct matching flange



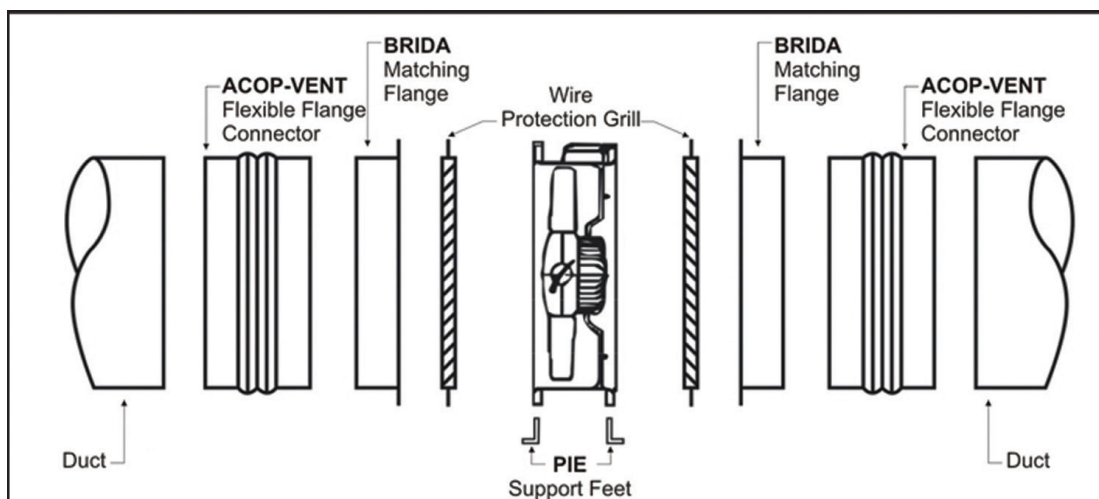
ACOP
Round flexible flanged connectors



PIE
Support Feet

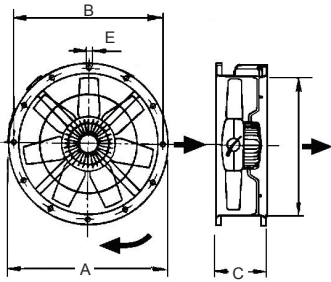


DEF-T
Inlet/outlet wire protection guard



Please refer to the JencoFan Group A (Residential/Light Commercial) catalog for a complete line of accessories.

DIMENSIONS IN INCHES/MM



Model	A	B	C	D	E	Weight (lbs)
DA 12	15 ^{3/16} 386	14 356	6 ^{11/16} 170	12 ^{7/16} 316	3/8 10	22
DA 16	19 ^{3/16} 487	17 ^{3/4} 451	6 ^{11/16} 170	15 ^{3/4} 400	1/2 13	31
DA 18	21 ^{1/8} 537	19 ^{11/16} 500	7 ^{1/8} 181	17 ^{3/4} 451	1/2 13	40
DA 20	23 ^{7/16} 595	22 ^{1/16} 560	7 ^{1/8} 181	19 ^{11/16} 500	1/2 13	49

AIR & SOUND PERFORMANCE

Model	*Technical Specification	Input Watts	Peak BHP	RPM	CFM v Static Pressure (SP) Ins. WG								Sones
					0	0.05	0.1	0.15	0.2	0.25	0.3	0.35	
DA 12	TCGB/4-12/G-B	132	-	1500	1216	1130	940	570	-	-	-	-	11.6
DA 16	TCGB/4-16/G-B	320	0.28	1500	2540	2440	2330	2200	2030	1760	-	-	17.6
DA 18	TCGB/4-18/G-B	540	0.48	1465	3620	3510	3370	3260	3140	3000	2800	-	24
DA 20	TCGB/4-20/G-B	770	0.67	1500	4750	4630	4500	4380	4240	4105	3930	3660	32

***Technical Specifications: Example**

TCGB/ 4-16/ G-A
 ↓ ↓ ↓ ↓ ↓ ↓
 1 2 3 4 5 6 7

- 1- TC: COMPACT DUCT AXIAL FAN reference.
- 2- Plastic adjustable impeller (supplied as standard).
- G: Aluminum adjustable impeller (please inquire).
- B: Single Phase Motor. 120 V 60 Hz.
- 3-B: Three Phase Motor. 220/460 V 60 Hz (please inquire).
- T: Speed. Number of poles.
- 5-16: Nominal blade diameter in inches.
- 6-A: Air direction.
 Form A = air over motor-impeller.
 Form B = air over-impeller motor.



JencoFan certifies that the DUCT AXIAL FANS shown herein are licensed to bear the AMCA Seal. The ratings shown are based on tests and procedures performed in accordance with AMCA publication 211 and AMCA publication 311 and comply with the requirements to the AMCA Certified Ratings Program.

Performance is shown for JencoFan DUCT AXIAL FANS. Speed (rpm) shown is nominal. Performance is based on actual speed of the test. Performance ratings include the effects of finger guards in the air-stream. The sound ratings are loudness values in fan sones at 5ft (1.5m) in a hemispherical free field calculated per AMCA Standard 301. Values are shown are for installation type A: free inlet, free outlet.

MODEL CM

BELT DRIVEN UTILITY VENT SET OVERVIEW

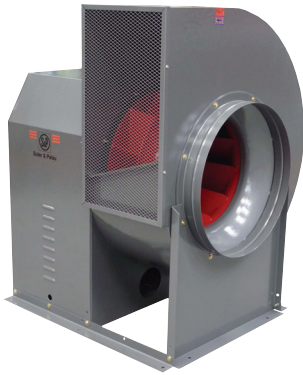
The CM Series belt driven backward inclined Utility Vent Set fans from JencoFan offer an excellent choice of product for all medium and high pressure exhaust or supply applications for commercial, institutional or light industrial air moving projects. Both models are supplied complete with motor mounted on an adjustable base; v-belt drives; heavy duty ball bearings and integral mounting platform. The installer friendly design simplifies and reduces the cost of installation. Each complete fan is tested prior to shipping to ensure smooth, vibration free and consistently reliable operation to provide years of dependable service with minimal maintenance.

The CM, CME & CMI Series from JencoFan are available in four distinctly different construction arrangements to meet a wide range of demanding specialist exhaust or supply applications.

CM

Heavy Duty

Suitable for general, grease laden or high temperature (Smoke & Heat) airstream exhaust applications.



Standard Features

- AMCA Air and Sound Certified (except size 10)
- Performance: 500-25,000 CFM with Static Pressures up to 5.5 in. W.G.
- Backward inclined CW or CCW orientation non-overloading wheels, sizes 10 - 36 ins
- Steel sheet metal construction with corrosion resistant Epoxy Powder Coating, and welded scroll for airtight lock seam
- Adjustable rotation and discharge orientations in accordance with AMCA 99-2406-83 Standards

Models CM

- cULus 705, Power Ventilator
- Operating Temp -20°F to +200°F continuous

Models CM-RHUL

- cULus 762, Power Ventilator for Restaurant Exhaust Applications
- Operating Temp -20°F to +400°F continuous

Models CM-HT

- cULus 793, Power Ventilator for Smoke Control Systems
- Designed and UL Listed to withstand inlet temperatures of 500°F for 4 hours and 1000°F for 45 minutes.

Models CM with AMCA-C Assembly Kit (option) (formerly CME)

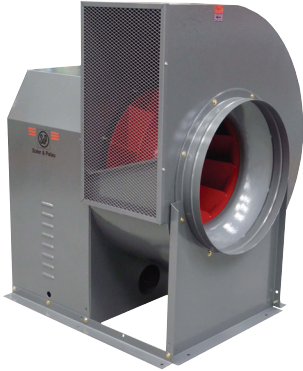
- cULus705, Power Ventilator
- Operating Temp -20°F to +200°F continuous.
- AMCA TYPE-C Spark Proof Rating
- Corrosion resistant epoxy coated steel wheel and scroll with non-ferrous inlet venturi

Models CMI are available by special quote only and at longer delivery schedules than regular CM units. Please contact the factory for pricing and size availability.

CMI

Heavy Duty

Suitable for corrosive airstream exhaust applications.



Standard Features:

- AMCA Air & Sound Certified
- Performance: 500-25,000 CFM with Static Pressures up to 5.5 in. W.G.
- Backward inclined CW or CCW orientation non-overloading wheels.
- Stainless Steel construction. Includes, scroll (housing), wheel, inlet venturi and shaft
- Adjustable rotation and discharge orientations in accordance with AMCA 99-2406-83 Standards.

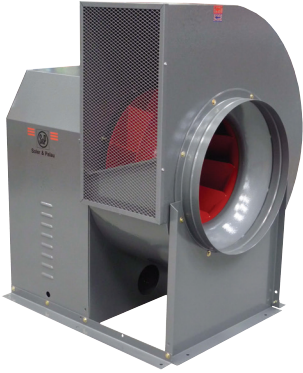
Models CMI

- cULus 705, Power Ventilator
- Unit is designed to operate at temperatures of -20°F to +600°F continuous.

Not available in all sizes, please contact factory for availability and delivery schedules of CMI models.

MODEL CM

BELT DRIVEN UTILITY VENT SET



MODEL FEATURES

- Exhaust air to over 21,000 CFM in static pressure capabilities to 5.5"
- Belt drives permit easy performance adjustments when needed
- Backward inclined CW or CCW orientation non-overloading wheels, sizes 10 - 36 ins.
- Steel sheet metal construction with corrosion resistant Epoxy Powder Coating, and welded scroll for airtight lock seam
- Adjustable rotation and discharge orientations in accordance with AMCA 99-2406-83 Standards
- AMCA Air and Sound Licensed
- cULus 705,762, 793 Listed

APPLICATION CONSTRUCTION OPTIONS

MODEL NAME	TYPICAL APPLICATIONS
CM	<ul style="list-style-type: none"> • Suitable for removal of clean or contaminated air in general applications • UL705 listed • Operating Temp -20°F to +200°F continuous
CM-RHUL	<ul style="list-style-type: none"> • Suitable grease laden airstream exhaust applications. • UL762 listed for grease removal • Operating Temp -20°F to +400°F continuous
CM-HT	<ul style="list-style-type: none"> • Suitable for high temperature (Smoke & Heat) airstream exhaust applications. • UL793 listed for smoke control systems • Listed for emergency heat and smoke removal. Designed and UL Listed to withstand inlet temperatures of 500°F for 4 hours and 1000°F for 45 minutes.
CM with AMCA-C Assembly Kit (option)	<ul style="list-style-type: none"> • Suitable for potentially explosive or flammable airstream exhaust applications. • AMCA Type-C Spark Proof Rating • Operating Temp -20°F to +200°F continuous • Corrosion resistant epoxy coated steel wheel and scroll with non-ferrous inlet venturi
CMI	<ul style="list-style-type: none"> • Suitable for corrosive airstream exhaust applications. • UL705 listed • Unit is designed to operate at temperatures of -20°F to +600°F continuous. • <i>Contact Factory for size availability and delivery schedules.</i>

MODEL OVERVIEW

JencoFan's Model CM is available in a full range of sizes (10 through 36) provides airflow performance from 500 CFM to over 24,500 CFM with static pressure up to 5.5 in. w.g. This single inlet backward inclined utility fan provides substantial benefits for pressure flow, low power consumption and low noise level, ideal for commercial and industrial applications. Typical applications include either supply or exhaust service for ducted systems in schools, theaters, gymnasiums, manufacturing plants, hotels, office buildings, restaurant hoods, and many other general ventilation applications.

The turbine performance, minimizes unnecessary energy losses resulting in a system with high efficiency.

Its design, manufacture and testing guarantee a long operating life with low maintenance. Also having great versatility in arrangements, and available positions with a complete series of mounting accessories for installation and proper operation of equipment for each application.

The mechanical design and construction determines the maximum operating speed and power. The performance ranges shown on the following pages comply with the Class I operating limits as defined in AMCA standard 99.

Models CM & CMRHUL are available in our Quickship program. Many of the sizes are available for 3 day or 10-day shipping from stock.

UL705 units have a 5 year fan housing warranty, CM-RHUL units have a 2 year fan housing warranty and CM-HT units have a 1 year fan housing warranty. 1 year motor warranty.

All specifications are subject to change without notice unless approved in submittal by JencoFan.



STANDARD CONSTRUCTION FEATURES

Inlet/L-Flange (Standard): This standard feature allows for easy duct attachment. The inlet collar allows the fan to be removed with minimal disconnecting of the duct work.

Weather cover (Standard): Sheet metal ventilated enclosure for the motor, shaft, belts and drives for safety and weather protection.

Access door (Standard): This standard feature is a bolted access door that allows inspection or cleaning of the wheel compartment.

Threaded Drain Fitting (Standard): This standard feature is a 3/4" I.P.S. coupling positioned at the lowest point in fan housing to drain moisture from the bottom of the fan housing.

Integral Mounting Flanges (Standard): Integral flanges for easy roof mounting of all units.

cULus705 (Standard on CM Units): For electrical reliability. Includes standard construction features listed above and cULus705 label. Clockwise or counter clockwise top horizontal (CW-TH or CCW-TH) discharge configuration are standard but other positions are available (must specify discharge orientation on order).

cULus762 (Standard on CM-RHUL units): For use in grease laden air or temperatures up to 400 degrees F. Ships with standard construction features listed above and cULus762 label. Clockwise or counter clockwise upblast (CW-UB or CCW-UB) discharge configuration are standard but top angular up (CW-TAU and CCW-TAU) positions are also available (must specify discharge orientation on order).

cULus793 (Standard on CM-HT units): Listed for emergency heat and smoke removal. Designed and UL Listed to withstand inlet temperatures of 500°F for 4 hours and 1000°F for 45 minutes. With this option the fan ships with standard construction features listed above, heat slinger, and cULus793 label. Clockwise or counter clockwise upblast (CW-UB or CCW-UB) discharge configuration are standard but other positions are also available (must specify discharge orientation on order).

ACCESSORIES/OPTIONS

Inlet/outlet Guard (Option): Heavy-gauge wire protects people and the fan entrance from unwanted debris in nonducted installations. Outlet Guard comes with outlet flange. (Not for UL762 use).

Outlet Flange (Option): Required on the discharge for mounting of either the optional damper or the optional outlet screen.

U-flange inlet (Option): Available for easy connection to flanged ductwork.

Discharge damper (Option): Heavy-duty interconnecting blade design opens by velocity. It helps prevent the entry of unwanted objects. Outlet Flange is required (included with damper). Maximum temperature is 200 degrees F and maximum face velocity is 3500 FPM. (Not for UL762 use). Damper cannot be used with TAD, DB, & BAD positions.

RIS Vibration Pads (Option): Set of RIS (rubber in shear) or spring type isolators help reduce vibration, improve motion restraint, help provide proper leveling, reduce torque forces, and provide improved stability in the fan installation.

Spring Vibration Pads (Option): Set of spring pads, ship loose for field mounting.

Grease trough (Option): Allows grease to collect in an easy to service container keeping roof area clean. Design allows for water and grease separation.

Shaft seal (Option): Nonasbestos fibrous material is sandwiched between the fan housing and cover plate. It helps reduce heat and the transfer of air from the wheel compartment. Seal does not make the fan air or gas tight.

Disconnect (Option): Available in either open or rain tight enclosure and matches the motor electrical characteristics. Allows for fan electrical cut off for servicing or inspection safety. (Ships loose).

Heat Slinger (Option): An aluminum cooling disc mounted on the fan shaft between the inboard bearing and the fan housing. The disc dissipates heat conducted along the fan shaft, and it also promotes circulation in the motor compartment. The additional circulation in the motor compartment extends motor life, because it allows the motor to operate at lower temperatures. Heat Slinger comes standard when ordering cULus793 listing.

AMCA-C Assembly Kit (option): Inlet constructed of nonferrous material (aluminum). A nonferrous (aluminum) rub ring surrounds the fan shaft where it passes through the fan housing.



CONSTRUCTION/SPECIFICATION CHECKLIST

Type: UTILITY VENT SET

Type of Wheel: Backward Inclined

Rotation: CW and CCW

Sizes: 10, 12, 14, 16, 18, 20, 22, 24, 27, 30, 36

Construction

Housing & Drive Frame Structure

The unit is solidly built, housing joints are welded intervals (*continuous welding on request, contact factory for availability and delivery schedules*), this provides greater strength, accuracy on the boards and makes a robust unit, which is an added value.

Wheel

Backward inclined centrifugal wheel is constructed of steel blades protected with a polyester powder coat finish. All wheels are statically and dynamically balanced to ISO 1940 and AMCA 204-G2.5 standards.

Paint

The unit is subjected to a coil coating process, where the steel is treated chemically to ensure the adherence of the polyester paint. Subsequently, powder coating is bonded to the parts through an electrostatic process, where after baking the piece takes on its highest characteristics corrosion resistance, with great adhesion properties and impact resistance.

Shafts and Bearings

Turned, ground and polished allow steel shafts sized so the first critical speed is at least 30% over the maximum operating speed. Standard bearings are heavy-duty, self-aligning pillow block ball bearings with minimum L10 life in excess of 100,000 hours at maximum cataloged operating conditions.

Motors

Heavy-duty ball bearing motors are factory mounted on an adjustable base for ease of service and belt maintenance. Standard motor enclosures are available as Open Drip Proof (ODP), Totally Enclosed Fan Cooled (TEFC), and Explosion Proof.

Drives

V-belt drives are selected for a minimum safety factor of 150% of the driven horsepower. Cast iron motor pulleys are adjustable for final system balancing and are factory set to the required RPM range. Dual groove v-belt drives are standard for motors 5 HP thru 10 HP. Three groove v-belt drives are standard on 15 HP units.

Temperature

Standard operating temperature range for cULus 705 units is -20°F to 200°F. For fans with cULus 762 construction the range is -20°F to 400°F. For CM-HT models with cULus 793 listing for emergency heat and smoke removal, designed and UL Listed to withstand inlet temperatures of 500°F for 4 hours and 1000°F for 45 minutes.

cULus 762 Fan Installation

Model CM is available with the 762 grease listing from UL. The fan will operate with continuous airstream temperatures of 400°F. Per NFPA 96, the fan discharge must be at least 40 inches above the roof line and the duct must be of all welded construction with a minimum distance of 18 inches above the roof line.

PHYSICAL DATA

CM Model	Wheel Diameter (in.)	Wheel Weight (lbs.)	WR ² (lbs-ft ²)	Max. Wheel RPM	Max. Motor Frame Size	Fan Weight* (lbs.)
10	10-1/16	4	0.600	3850	145T	62
12	12-11/16	11	1.90	3200	184T	89
14	14-7/8	13	3.56	2800	184T	102
16	16	18	5.22	2500	184T	119
18	17-15/16	24	9.73	2200	213T	160
20	20-3/16	31	16.85	1950	213T	188
22	22-7/16	42	26.10	1800	215T	269
24	25-3/16	59	41.77	1500	215T	340
27	28-1/4	84	78.31	1350	254T	549
30	31-7/8	108	132.18	1200	256T	739
36	35-5/8	140	200	1050	284T	959

*Weight is fan only (without accessories, motors, bases, drives, etc.)

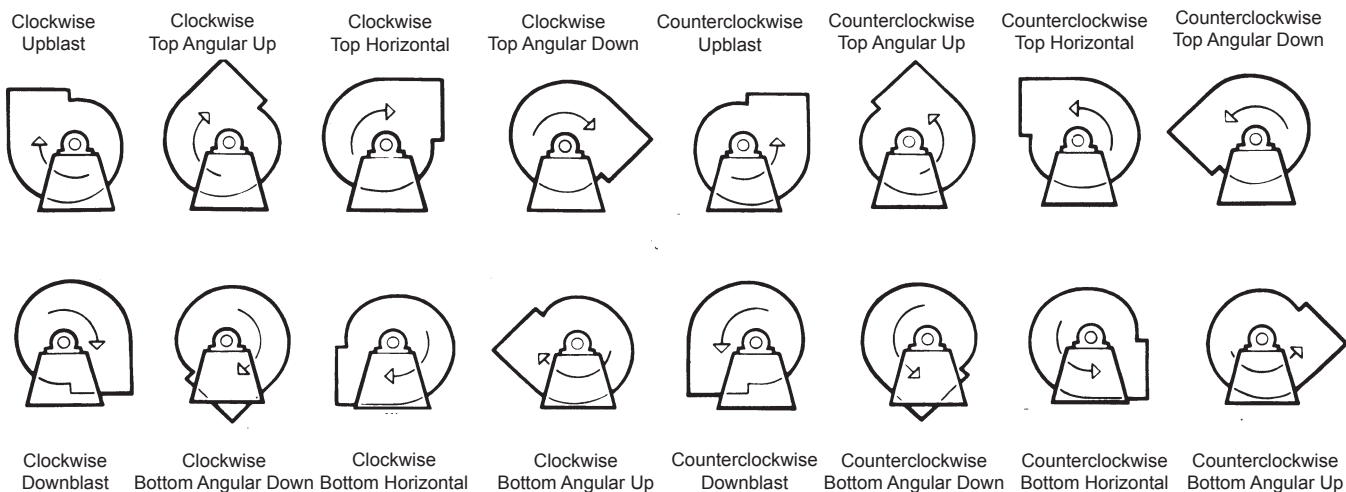
ELEVATED TEMPERATURE DERATE

When elevated temperatures are encountered, maximum RPMs shown above must be derated according to the following table.

Temperature (°F)	Standard Steel	
70	1.00	
200	0.98	Standard Temperature Range
300	0.96	
400	0.95	
500	0.90	High Temperature Range
600	0.86	

ROTATION AND DISCHARGE

The direction of rotation is determined from the drive side of the fan. The direction of discharge is determined in accordance with the diagrams below. The angle of discharge is referred to the horizontal axis of fan and designated in degrees above or below such standard reference axis. **Not all positions are available for all sizes, see chart below.**



SIZE	OPTIONS OF ROTATIONS								TURN	
	UB	TAU	TH	TAD	DB	BAD	BH	BAU	CW	CCW
10-24	•	•	•	•	•	•	•	•	•	•
27-36	•	•	•						•	•

PERFORMANCE/DIMENSIONS

CM 10

Wheel Diameter: 10-1/16"
Outlet Area: 0.625 Sq. Ft.
Average Weight: CM - 62 lbs
Shaft Diameter: 3/4"
Tip Speed: 2.64 x RPM=FPM
Max Fan RPM: 2,998 RPM
Max Motor HP: 3/4 HP

CFM	OV	Static Pressure (Inches W.G.)													
		0.5		1		1.5		2		2.5		3		3.5	
		RPM	BHP	RPM	BHP	RPM	BHP	RPM	BHP	RPM	BHP	RPM	BHP	RPM	BHP
499	800	1316	0.07	1655	0.12	1939	0.18	-	-	-	-	-	-	-	-
531	850	1353	0.07	1682	0.13	1962	0.19	-	-	-	-	-	-	-	-
562	900	1392	0.08	1710	0.14	1986	0.20	2229	0.27	-	-	-	-	-	-
593	950	1431	0.08	1740	0.15	2011	0.21	2251	0.29	-	-	-	-	-	-
624	1000	1472	0.09	1772	0.16	2037	0.23	2274	0.30	2490	0.38	-	-	-	-
656	1050	1513	0.10	1804	0.17	2065	0.24	2299	0.31	2511	0.40	-	-	-	-
687	1100	1556	0.11	1839	0.18	2093	0.25	2324	0.33	2534	0.41	2729	0.50	-	-
718	1150	1600	0.12	1875	0.19	2123	0.27	2350	0.35	2558	0.43	2751	0.52	-	-
749	1200	1643	0.13	1912	0.20	2154	0.28	2377	0.36	2583	0.45	2774	0.54	2953	0.64
780	1250	1687	0.14	1950	0.21	2186	0.30	2405	0.38	2608	0.47	2798	0.56	2975	0.66
812	1300	1732	0.15	1989	0.23	2219	0.31	2435	0.40	2635	0.49	2822	0.58	2998	0.68
843	1350	1776	0.16	2029	0.24	2254	0.33	2465	0.42	2662	0.51	2847	0.61	-	-
874	1400	1820	0.17	2070	0.26	2290	0.34	2496	0.44	2691	0.53	2873	0.63	-	-
905	1450	1864	0.18	2111	0.27	2327	0.36	2528	0.46	2720	0.56	2900	0.66	-	-
936	1500	1908	0.20	2153	0.29	2365	0.38	2562	0.48	2750	0.58	2928	0.68	-	-
968	1550	1953	0.21	2196	0.30	2404	0.40	2596	0.50	2781	0.61	2957	0.71	-	-
999	1600	1998	0.22	2239	0.32	2442	0.42	2632	0.52	2813	0.63	2987	0.74	-	-
1030	1650	2043	0.24	2283	0.34	2482	0.44	2669	0.54	2846	0.66	-	-	-	-
1061	1700	2089	0.25	2327	0.36	2523	0.46	2706	0.57	2880	0.68	-	-	-	-
1093	1750	2135	0.27	2371	0.38	2564	0.49	2745	0.59	2915	0.71	-	-	-	-
1124	1800	2181	0.29	2415	0.40	2606	0.51	2783	0.62	2951	0.74	-	-	-	-
1155	1850	2228	0.31	2459	0.42	2648	0.54	2822	0.65	-	-	-	-	-	-
1186	1900	2275	0.33	2503	0.45	2691	0.56	2862	0.68	-	-	-	-	-	-
1217	1950	2323	0.35	2547	0.47	2734	0.59	2902	0.70	-	-	-	-	-	-
1249	2000	2371	0.38	2591	0.49	2778	0.62	2943	0.74	-	-	-	-	-	-
1280	2050	2422	0.40	2635	0.52	2821	0.64	-	-	-	-	-	-	-	-
1311	2100	2470	0.43	2680	0.54	2865	0.67	-	-	-	-	-	-	-	-
1342	2150	2519	0.44	2724	0.57	2909	0.70	-	-	-	-	-	-	-	-
1373	2200	2568	0.47	2769	0.59	2954	0.74	-	-	-	-	-	-	-	-
1405	2250	2619	0.50	2814	0.60	-	-	-	-	-	-	-	-	-	-
1436	2300	2669	0.52	2859	0.65	-	-	-	-	-	-	-	-	-	-
1467	2350	2718	0.56	2905	0.68	-	-	-	-	-	-	-	-	-	-
1498	2400	2768	0.59	2950	0.71	-	-	-	-	-	-	-	-	-	-
1530	2450	2820	0.62	2996	0.75	-	-	-	-	-	-	-	-	-	-
1561	2500	2870	0.66	-	-	-	-	-	-	-	-	-	-	-	-
1592	2550	2920	0.68	-	-	-	-	-	-	-	-	-	-	-	-
1623	2600	2971	0.72	-	-	-	-	-	-	-	-	-	-	-	-

Performance certified is for installation type B - free inlet, ducted outlet. Performance ratings do not include the effects of appurtenances (accessories). Power rating (BHP) does not include transmission losses.

The AMCA Certified Ratings Seal does not apply to CM 10.



CM 12

Wheel Diameter: 12-11/16"
Outlet Area: 0.97 Sq. Ft.
Average Weight: CM - 89 lbs
Shaft Diameter: 1"
Tip Speed: 3.33 x RPM=FPM
Max Fan RPM: 2,873 RPM
Max Motor HP: 2 HP
FEG: 80

CFM	OV	Static Pressure (Inches W.G.)																			
		0.5		1		1.5		2		2.5		3		3.5		4		4.5		5	
		RPM	BHP	RPM	BHP	RPM	BHP	RPM	BHP	RPM	BHP	RPM	BHP	RPM	BHP	RPM	BHP	RPM	BHP	RPM	BHP
778	800	1039	0.10	1309	0.19	1539	0.29	-	-	-	-	-	-	-	-	-	-	-	-	-	-
875	900	1095	0.12	1352	0.22	1572	0.33	1770	0.44	-	-	-	-	-	-	-	-	-	-	-	-
972	1000	1157	0.14	1399	0.25	1611	0.36	1801	0.48	1977	0.61	-	-	-	-	-	-	-	-	-	-
1069	1100	1220	0.17	1451	0.28	1654	0.40	1838	0.53	2008	0.67	2166	0.81	-	-	-	-	-	-	-	-
1118	1150	1253	0.18	1479	0.30	1678	0.42	1858	0.55	2025	0.69	2182	0.84	-	-	-	-	-	-	-	-
1166	1200	1286	0.20	1507	0.32	1701	0.44	1879	0.58	2043	0.72	2197	0.87	2343	1.03	-	-	-	-	-	-
1215	1250	1320	0.21	1536	0.34	1727	0.47	1901	0.61	2063	0.75	2215	0.91	2359	1.07	-	-	-	-	-	-
1264	1300	1355	0.23	1566	0.36	1753	0.49	1924	0.63	2083	0.78	2233	0.94	2375	1.10	2511	1.27	-	-	-	-
1312	1350	1389	0.25	1596	0.38	1779	0.52	1947	0.66	2104	0.81	2252	0.97	2392	1.14	2526	1.31	2654	1.49	-	-
1361	1400	1424	0.27	1626	0.40	1807	0.54	1972	0.69	2126	0.85	2272	1.01	2411	1.18	2543	1.36	2669	1.54	-	-
1409	1450	1459	0.29	1658	0.42	1834	0.57	1997	0.72	2149	0.88	2293	1.05	2429	1.22	2560	1.40	2685	1.58	2806	1.77
1458	1500	1496	0.31	1690	0.45	1863	0.60	2023	0.75	2173	0.92	2314	1.09	2449	1.26	2578	1.45	2702	1.63	2821	1.83
1507	1550	1532	0.33	1722	0.48	1892	0.63	2050	0.79	2197	0.95	2337	1.13	2470	1.31	2597	1.49	2720	1.68	2838	1.88
1555	1600	1568	0.35	1755	0.50	1921	0.66	2077	0.82	2222	0.99	2360	1.17	2491	1.35	2617	1.54	2738	1.73	2855	1.93
1604	1650	1604	0.38	1788	0.53	1952	0.69	2105	0.86	2248	1.03	2384	1.21	2513	1.40	2637	1.59	2757	1.79	2873	1.99
1652	1700	1641	0.40	1820	0.56	1983	0.73	2133	0.90	2274	1.07	2408	1.26	2535	1.45	2658	1.64	2777	1.84	-	-
1701	1750	1678	0.43	1855	0.59	2014	0.76	2162	0.93	2301	1.12	2433	1.30	2559	1.50	2680	1.69	2797	1.90	-	-
1750	1800	1715	0.46	1889	0.63	2046	0.80	2191	0.98	2328	1.16	2459	1.35	2583	1.55	2703	1.75	2819	1.96	-	-
1798	1850	1753	0.49	1923	0.66	2077	0.84	2221	1.02	2356	1.20	2484	1.40	2607	1.60	2726	1.80	2840	2.00	-	-
1847	1900	1791	0.52	1958	0.70	2110	0.87	2251	1.06	2384	1.25	2511	1.45	2632	1.65	2750	1.86	-	-	-	-
1895	1950	1828	0.55	1993	0.73	2142	0.92	2281	1.10	2413	1.30	2538	1.50	2658	1.71	2774	1.92	-	-	-	-
1944	2000	1866	0.59	2028	0.77	2175	0.96	2313	1.15	2442	1.35	2566	1.55	2684	1.76	2798	1.98	-	-	-	-
1993	2050	1905	0.62	2064	0.81	2209	1.00	2344	1.20	2472	1.40	2594	1.61	2711	1.82	-	-	-	-	-	-
2090	2150	1981	0.70	2136	0.90	2276	1.10	2408	1.30	2532	1.51	2651	1.73	2766	1.95	-	-	-	-	-	-
2138	2200	2019	0.74	2171	0.94	2310	1.14	2440	1.35	2563	1.57	2680	1.79	2793	2.00	-	-	-	-	-	-
2187	2250	2058	0.78	2208	0.99	2344	1.20	2473	1.41	2594	1.63	2710	1.85	-	-	-	-	-	-	-	-
2236	2300	2097	0.83	2244	1.04	2379	1.25	2506	1.47	2626	1.69	2741	1.91	-	-	-	-	-	-	-	-
2284	2350	2136	0.87	2280	1.09	2414	1.30	2539	1.52	2657	1.75	2770	1.98	-	-	-	-	-	-	-	-
2333	2400	2175	0.92	2318	1.14	2449	1.36	2572	1.58	2690	1.81	-	-	-	-	-	-	-	-	-	-
2381	2450	2213	0.97	2355	1.19	2484	1.42	2606	1.64	2721	1.88	-	-	-	-	-	-	-	-	-	-
2430	2500	2252	1.02	2392	1.25	2520	1.48	2640	1.71	2754	1.95	-	-	-	-	-	-	-	-	-	-
2479	2550	2292	1.07	2429	1.30	2556	1.54	2674	1.78	-	-	-	-	-	-	-	-	-	-	-	-
2527	2600	2331	1.13	2466	1.36	2591	1.60	2708	1.84	-	-	-	-	-	-	-	-	-	-	-	-
2576	2650	2371	1.19	2504	1.43	2627	1.67	2743	1.91	-	-	-	-	-	-	-	-	-	-	-	-
2673	2750	2450	1.30	2579	1.55	2700	1.81	-	-	-	-	-	-	-	-	-	-	-	-	-	-
2722	2800	2490	1.37	2617	1.62	2737	1.88	-	-	-	-	-	-	-	-	-	-	-	-	-	-
2770	2850	2529	1.43	2655	1.69	2772	1.95	-	-	-	-	-	-	-	-	-	-	-	-	-	-
2819	2900	2569	1.50	2694	1.76	-	-	-	-	-	-	-	-	-	-	-	-	-	-	-	-
2867	2950	2608	1.57	2732	1.84	-	-	-	-	-	-	-	-	-	-	-	-	-	-	-	-
2916	3000	2649	1.64	2770	1.91	-	-	-	-	-	-	-	-	-	-	-	-	-	-	-	-
2965	3050	2689	1.72	2809	1.99	-	-	-	-	-	-	-	-	-	-	-	-	-	-	-	-
3013	3100	2729	1.79	-	-	-	-	-	-	-	-	-	-	-	-	-	-	-	-	-	-
3110	3200	2808	1.95	-	-	-	-	-	-	-	-	-	-	-	-	-	-	-	-	-	-

Performance certified is for installation type B - free inlet, ducted outlet.
 Performance ratings do not include the effects of appurtenances (accessories).
 Power rating (BHP) does not include transmission losses.



JencoFan, Div. of Soler & Palau Ventilation Group certifies that the Models CM shown herein are licensed to bear the AMCA Seal (except CM10). The ratings shown are based on test and procedures performed in accordance with AMCA Publication 211 and AMCA Publication 311 and comply with the requirement of the AMCA Certified Ratings Program.



UL STANDARD 705
UL STANDARD 762
UL STANDARD 793
 Optional - Must be specified

CM 14

Wheel Diameter: 14-7/8"
Outlet Area: 1.20 Sq. Ft.
Average Weight: CM - 102 lbs
Shaft Diameter: 1"
Tip Speed: 3.74 x RPM=FPM
Max Fan RPM: 2,672 RPM
Max Motor HP: 3 HP
FEG: 80

CFM	OV	Static Pressure (Inches W.G.)																			
		0.5		1		1.5		2		2.5		3		3.5		4		4.5		5	
		RPM	BHP	RPM	BHP	RPM	BHP	RPM	BHP	RPM	BHP	RPM	BHP	RPM	BHP	RPM	BHP	RPM	BHP	RPM	BHP
960	800	907	0.12	1143	0.22	1350	0.34	-	-	-	-	-	-	-	-	-	-	-	-	-	-
1080	900	958	0.15	1179	0.26	1375	0.38	1554	0.51	-	-	-	-	-	-	-	-	-	-	-	-
1200	1000	1014	0.17	1221	0.29	1407	0.42	1577	0.56	1736	0.71	-	-	-	-	-	-	-	-	-	-
1320	1100	1072	0.21	1267	0.33	1444	0.47	1606	0.62	1759	0.77	1903	0.94	-	-	-	-	-	-	-	-
1380	1150	1101	0.22	1292	0.35	1464	0.49	1623	0.65	1772	0.81	1913	0.98	2048	1.15	-	-	-	-	-	-
1440	1200	1132	0.24	1317	0.38	1485	0.52	1640	0.68	1787	0.84	1926	1.01	2058	1.19	-	-	-	-	-	-
1500	1250	1162	0.26	1344	0.40	1507	0.55	1659	0.71	1802	0.88	1939	1.05	2069	1.24	2193	1.43	-	-	-	-
1560	1300	1193	0.28	1370	0.43	1530	0.58	1679	0.74	1819	0.91	1953	1.09	2081	1.28	2203	1.47	-	-	-	-
1620	1350	1224	0.31	1398	0.45	1554	0.61	1699	0.78	1837	0.95	1968	1.13	2094	1.33	2215	1.52	2331	1.73	-	-
1680	1400	1256	0.33	1425	0.48	1578	0.64	1721	0.81	1856	0.99	1985	1.18	2108	1.37	2227	1.57	2342	1.78	2452	2.00
1740	1450	1288	0.36	1454	0.51	1603	0.68	1743	0.85	1875	1.03	2002	1.22	2123	1.42	2240	1.63	2353	1.84	2463	2.06
1800	1500	1320	0.38	1483	0.54	1629	0.71	1766	0.89	1896	1.08	2020	1.27	2140	1.47	2255	1.68	2366	1.90	2474	2.12
1860	1550	1352	0.41	1512	0.58	1655	0.75	1790	0.93	1917	1.12	2039	1.32	2157	1.52	2270	1.74	2380	1.96	2486	2.18
1920	1600	1385	0.44	1542	0.61	1682	0.79	1814	0.97	1939	1.17	2059	1.37	2174	1.58	2286	1.79	2394	2.02	2499	2.25
1980	1650	1418	0.47	1571	0.65	1710	0.83	1839	1.02	1962	1.22	2080	1.42	2193	1.63	2303	1.85	2410	2.08	2513	2.31
2040	1700	1451	0.51	1602	0.69	1738	0.87	1864	1.06	1985	1.27	2101	1.48	2213	1.69	2321	1.92	2426	2.14	2528	2.38
2100	1750	1484	0.54	1632	0.72	1766	0.92	1891	1.11	2009	1.32	2123	1.53	2233	1.75	2339	1.98	2443	2.21	2543	2.45
2160	1800	1517	0.58	1663	0.77	1794	0.96	1917	1.16	2034	1.37	2146	1.59	2254	1.81	2359	2.04	2460	2.28	2560	2.52
2220	1850	1551	0.61	1694	0.81	1823	1.01	1944	1.22	2059	1.43	2169	1.65	2275	1.88	2378	2.11	2479	2.35	2577	2.60
2340	1950	1618	0.70	1757	0.90	1882	1.11	1999	1.33	2110	1.55	2217	1.78	2320	2.01	2420	2.25	2518	2.50	2613	2.75
2400	2000	1652	0.74	1788	0.95	1912	1.17	2027	1.39	2137	1.61	2242	1.84	2343	2.08	2442	2.33	2538	2.58	2632	2.84
2460	2050	1686	0.79	1821	1.00	1942	1.22	2056	1.45	2164	1.68	2267	1.91	2367	2.15	2465	2.40	2559	2.66	2652	2.92
2520	2100	1720	0.84	1853	1.06	1973	1.28	2084	1.51	2191	1.74	2293	1.98	2392	2.23	2487	2.48	2581	2.74	2672	3.00
2580	2150	1754	0.89	1885	1.11	2003	1.34	2113	1.57	2218	1.81	2319	2.06	2416	2.31	2511	2.56	2603	2.82	-	-
2640	2200	1789	0.94	1917	1.17	2034	1.40	2142	1.64	2246	1.88	2345	2.13	2441	2.38	2534	2.64	2626	2.91	-	-
2700	2250	1823	0.99	1950	1.23	2065	1.47	2172	1.71	2274	1.96	2372	2.21	2467	2.47	2559	2.73	2649	3.00	-	-
2760	2300	1857	1.05	1983	1.29	2096	1.53	2202	1.78	2303	2.03	2399	2.29	2493	2.55	2584	2.82	-	-	-	-
2880	2400	1927	1.17	2049	1.42	2159	1.68	2262	1.93	2360	2.19	2455	2.46	2546	2.73	2634	3.00	-	-	-	-
3000	2500	1996	1.30	2115	1.56	2223	1.83	2323	2.09	2419	2.36	2511	2.63	2600	2.91	-	-	-	-	-	-
3060	2550	2031	1.37	2148	1.64	2255	1.91	2355	2.18	2449	2.45	2540	2.73	-	-	-	-	-	-	-	-
3120	2600	2066	1.44	2182	1.71	2287	1.99	2386	2.26	2479	2.54	2569	2.82	-	-	-	-	-	-	-	-
3180	2650	2101	1.51	2216	1.79	2320	2.07	2417	2.35	2509	2.64	2598	2.92	-	-	-	-	-	-	-	-
3240	2700	2136	1.59	2249	1.87	2352	2.16	2448	2.44	2539	2.73	-	-	-	-	-	-	-	-	-	-
3300	2750	2171	1.66	2283	1.96	2385	2.25	2480	2.54	2570	2.83	-	-	-	-	-	-	-	-	-	-
3360	2800	2206	1.75	2317	2.04	2418	2.34	2511	2.64	2601	2.93	-	-	-	-	-	-	-	-	-	-
3420	2850	2241	1.83	2351	2.13	2450	2.43	2544	2.74	-	-	-	-	-	-	-	-	-	-	-	-
3480	2900	2276	1.92	2385	2.23	2483	2.53	2575	2.84	-	-	-	-	-	-	-	-	-	-	-	-
3540	2950	2312	2.01	2419	2.32	2516	2.63	2607	2.94	-	-	-	-	-	-	-	-	-	-	-	-
3600	3000	2347	2.10	2453	2.42	2549	2.74	-	-	-	-	-	-	-	-	-	-	-	-	-	-
3720	3100	2418	2.29	2521	2.63	2616	2.95	-	-	-	-	-	-	-	-	-	-	-	-	-	-
3840	3200	2489	2.50	2590	2.84	-	-	-	-	-	-	-	-	-	-	-	-	-	-	-	-
3960	3300	2560	2.72	-	-	-	-	-	-	-	-	-	-	-	-	-	-	-	-	-	-
4020	3350	2596	2.83	-	-	-	-	-	-	-	-	-	-	-	-	-	-	-	-	-	-
4080	3400	2631	2.95	-	-	-	-	-	-	-	-	-	-	-	-	-	-	-	-	-	-

Performance certified is for installation type B - free inlet, ducted outlet.
 Performance ratings do not include the effects of appurtenances (accessories).
 Power rating (BHP) does not include transmission losses.



JencoFan, Div. of Soler & Palau Ventilation Group certifies that the Models CM shown herein are licensed to bear the AMCA Seal (except CM10). The ratings shown are based on test and procedures performed in accordance with AMCA Publication 211 and AMCA Publication 311 and comply with the requirement of the AMCA Certified Ratings Program.



UL STANDARD 705
 UL STANDARD 762
 UL STANDARD 793
 Optional - Must be specified

CM 16

Wheel Diameter: 16"
Outlet Area: 1.49 Sq. Ft.
Average Weight: CM - 119 lbs
Shaft Diameter: 1"
Tip Speed: 4.19 x RPM=FPM
Max Fan RPM: 2,268 RPM
Max Motor HP: 3 HP
FEG: 80

CFM	OV	Static Pressure (Inches W.G.)																			
		0.5		1		1.5		2		2.5		3		3.5		4		4.5		5	
		RPM	BHP	RPM	BHP	RPM	BHP	RPM	BHP	RPM	BHP	RPM	BHP	RPM	BHP	RPM	BHP	RPM	BHP	RPM	BHP
1192	800	816	0.15	1026	0.28	1209	0.43	-	-	-	-	-	-	-	-	-	-	-	-	-	-
1341	900	863	0.18	1060	0.32	1234	0.48	1391	0.65	-	-	-	-	-	-	-	-	-	-	-	-
1416	950	887	0.20	1079	0.34	1248	0.50	1402	0.68	-	-	-	-	-	-	-	-	-	-	-	-
1490	1000	912	0.22	1098	0.37	1263	0.53	1414	0.71	1554	0.90	-	-	-	-	-	-	-	-	-	-
1639	1100	964	0.26	1141	0.42	1297	0.59	1442	0.78	1577	0.98	1704	1.19	-	-	-	-	-	-	-	-
1788	1200	1017	0.30	1185	0.47	1335	0.66	1474	0.85	1603	1.06	1726	1.28	1843	1.51	-	-	-	-	-	-
1863	1250	1045	0.33	1209	0.50	1356	0.69	1491	0.89	1618	1.11	1739	1.33	1853	1.56	1963	1.80	-	-	-	-
1937	1300	1072	0.35	1233	0.53	1376	0.73	1509	0.93	1634	1.15	1752	1.38	1865	1.62	1973	1.86	-	-	-	-
2012	1350	1100	0.38	1258	0.57	1398	0.77	1528	0.98	1650	1.20	1767	1.43	1878	1.68	1985	1.93	2087	2.19	-	-
2086	1400	1128	0.41	1283	0.60	1420	0.81	1547	1.02	1668	1.25	1782	1.49	1891	1.73	1996	1.99	2098	2.25	2195	2.52
2161	1450	1156	0.44	1308	0.64	1443	0.85	1568	1.07	1686	1.30	1798	1.55	1906	1.80	2009	2.06	2109	2.33	2206	2.60
2235	1500	1184	0.48	1334	0.68	1466	0.89	1589	1.12	1704	1.36	1815	1.60	1921	1.86	2023	2.12	2121	2.40	2216	2.68
2310	1550	1213	0.51	1360	0.72	1490	0.94	1611	1.17	1724	1.41	1833	1.67	1937	1.93	2037	2.19	2134	2.47	2228	2.76
2384	1600	1242	0.55	1386	0.76	1514	0.99	1632	1.22	1744	1.47	1851	1.73	1953	1.99	2052	2.27	2148	2.55	2241	2.84
2459	1650	1271	0.59	1413	0.81	1539	1.04	1655	1.28	1765	1.53	1870	1.79	1971	2.06	2068	2.34	2163	2.63	2254	2.92
2533	1700	1300	0.63	1440	0.86	1564	1.09	1678	1.34	1786	1.59	1889	1.86	1989	2.13	2085	2.42	2178	2.71	2268	3.00
2608	1750	1329	0.67	1467	0.91	1589	1.15	1702	1.40	1808	1.66	1910	1.93	2007	2.21	2102	2.50	2194	2.79	-	-
2682	1800	1358	0.72	1494	0.96	1614	1.20	1725	1.46	1830	1.73	1930	2.00	2026	2.29	2120	2.58	2210	2.88	-	-
2757	1850	1388	0.77	1522	1.01	1641	1.26	1750	1.53	1853	1.80	1951	2.08	2046	2.37	2138	2.66	2227	2.97	-	-
2831	1900	1418	0.82	1550	1.07	1666	1.33	1774	1.59	1876	1.87	1973	2.15	2067	2.45	2157	2.75	-	-	-	-
2906	1950	1448	0.87	1578	1.13	1693	1.39	1799	1.66	1899	1.94	1995	2.23	2087	2.53	2177	2.84	-	-	-	-
2980	2000	1477	0.92	1606	1.19	1719	1.46	1824	1.74	1923	2.02	2017	2.32	2108	2.62	2196	2.93	-	-	-	-
3055	2050	1508	0.98	1634	1.25	1747	1.53	1850	1.81	1947	2.10	2040	2.40	2130	2.71	-	-	-	-	-	-
3129	2100	1537	1.04	1663	1.32	1773	1.60	1875	1.89	1972	2.19	2063	2.49	2152	2.80	-	-	-	-	-	-
3204	2150	1567	1.10	1691	1.39	1801	1.67	1901	1.97	1996	2.27	2087	2.58	2174	2.90	-	-	-	-	-	-
3278	2200	1598	1.17	1720	1.46	1828	1.75	1927	2.05	2021	2.36	2111	2.68	2197	3.00	-	-	-	-	-	-
3353	2250	1628	1.23	1749	1.53	1856	1.83	1954	2.14	2047	2.45	2135	2.77	-	-	-	-	-	-	-	-
3427	2300	1658	1.30	1778	1.61	1883	1.92	1980	2.23	2072	2.55	2159	2.87	-	-	-	-	-	-	-	-
3502	2350	1689	1.38	1807	1.69	1911	2.00	2007	2.32	2098	2.64	2184	2.98	-	-	-	-	-	-	-	-
3576	2400	1719	1.45	1836	1.77	1939	2.09	2034	2.41	2124	2.74	-	-	-	-	-	-	-	-	-	-
3651	2450	1750	1.53	1865	1.86	1967	2.18	2062	2.51	2150	2.85	-	-	-	-	-	-	-	-	-	-
3725	2500	1780	1.61	1894	1.95	1996	2.28	2089	2.61	2176	2.95	-	-	-	-	-	-	-	-	-	-
3800	2550	1811	1.70	1924	2.04	2024	2.38	2116	2.72	-	-	-	-	-	-	-	-	-	-	-	-
3874	2600	1841	1.79	1953	2.13	2053	2.48	2143	2.82	-	-	-	-	-	-	-	-	-	-	-	-
3949	2650	1872	1.88	1983	2.23	2081	2.58	2171	2.94	-	-	-	-	-	-	-	-	-	-	-	-
4023	2700	1903	1.97	2013	2.33	2110	2.69	-	-	-	-	-	-	-	-	-	-	-	-	-	-
4098	2750	1934	2.07	2042	2.44	2139	2.80	-	-	-	-	-	-	-	-	-	-	-	-	-	-
4172	2800	1964	2.17	2072	2.55	2168	2.92	-	-	-	-	-	-	-	-	-	-	-	-	-	-
4247	2850	1995	2.27	2102	2.66	-	-	-	-	-	-	-	-	-	-	-	-	-	-	-	-
4321	2900	2026	2.38	2132	2.77	-	-	-	-	-	-	-	-	-	-	-	-	-	-	-	-
4470	3000	2088	2.61	2192	3.00	-	-	-	-	-	-	-	-	-	-	-	-	-	-	-	-
4545	3050	2119	2.73	-	-	-	-	-	-	-	-	-	-	-	-	-	-	-	-	-	-
4619	3100	2150	2.85	-	-	-	-	-	-	-	-	-	-	-	-	-	-	-	-	-	-
4694	3150	2182	2.97	-	-	-	-	-	-	-	-	-	-	-	-	-	-	-	-	-	-

Performance certified is for installation type B - free inlet, ducted outlet.
 Performance ratings do not include the effects of appurtenances (accessories).
 Power rating (BHP) does not include transmission losses.



JencoFan, Div. of Soler & Palau Ventilation Group certifies that the Models CM shown herein are licensed to bear the AMCA Seal (except CM10). The ratings shown are based on test and procedures performed in accordance with AMCA Publication 211 and AMCA Publication 311 and comply with the requirement of the AMCA Certified Ratings Program.



UL STANDARD 705
UL STANDARD 762
UL STANDARD 793
 Optional - Must be specified

CM 18

Wheel Diameter: 17-15/16"
Outlet Area: 1.88 Sq. Ft.
Average Weight: CM - 160 lbs
Shaft Diameter: 1-1/2"
Tip Speed: 4.69 x RPM=FPM
Max Fan RPM: 2,137 RPM
Max Motor HP: 5 HP
FEG: 80

CFM	OV	Static Pressure (Inches W.G.)																			
		0.5		1		1.5		2		2.5		3		3.5		4		4.5		5	
		RPM	BHP	RPM	BHP	RPM	BHP	RPM	BHP	RPM	BHP	RPM	BHP	RPM	BHP	RPM	BHP	RPM	BHP	RPM	BHP
1504	800	713	0.19	900	0.35	1062	0.52	-	-	-	-	-	-	-	-	-	-	-	-	-	-
1692	900	753	0.22	929	0.39	1083	0.58	1222	0.79	-	-	-	-	-	-	-	-	-	-	-	-
1786	950	774	0.24	945	0.42	1095	0.61	1232	0.83	-	-	-	-	-	-	-	-	-	-	-	-
1880	1000	795	0.27	961	0.45	1108	0.65	1242	0.87	1366	1.10	-	-	-	-	-	-	-	-	-	-
1974	1050	817	0.29	979	0.48	1122	0.68	1253	0.91	1375	1.14	-	-	-	-	-	-	-	-	-	-
2162	1150	862	0.34	1016	0.54	1152	0.76	1278	0.99	1395	1.24	1506	1.50	-	-	-	-	-	-	-	-
2350	1250	909	0.40	1055	0.62	1186	0.85	1307	1.09	1420	1.35	1526	1.62	1628	1.90	-	-	-	-	-	-
2444	1300	932	0.43	1076	0.66	1204	0.89	1322	1.14	1433	1.41	1538	1.68	1638	1.97	1734	2.27	-	-	-	-
2538	1350	956	0.47	1097	0.70	1222	0.94	1338	1.20	1447	1.46	1550	1.75	1649	2.04	1743	2.35	1834	2.66	-	-
2632	1400	981	0.50	1118	0.74	1241	0.99	1354	1.25	1461	1.53	1563	1.81	1660	2.11	1753	2.42	1843	2.75	-	-
2726	1450	1005	0.54	1140	0.79	1260	1.04	1372	1.31	1477	1.59	1577	1.88	1672	2.19	1764	2.50	1852	2.83	1938	3.17
2820	1500	1030	0.58	1162	0.83	1280	1.10	1390	1.37	1493	1.66	1591	1.96	1685	2.27	1775	2.59	1863	2.92	1947	3.26
3008	1600	1080	0.67	1207	0.94	1321	1.21	1426	1.50	1526	1.80	1621	2.11	1713	2.43	1800	2.76	1885	3.10	1967	3.46
3102	1650	1105	0.72	1230	0.99	1342	1.28	1446	1.57	1544	1.87	1637	2.19	1727	2.52	1814	2.85	1898	3.20	1979	3.56
3196	1700	1130	0.77	1253	1.05	1363	1.34	1465	1.64	1562	1.95	1654	2.27	1743	2.61	1828	2.95	1910	3.30	1990	3.67
3290	1750	1156	0.82	1276	1.11	1385	1.41	1485	1.71	1580	2.03	1671	2.36	1758	2.70	1842	3.05	1924	3.41	2003	3.77
3384	1800	1182	0.88	1300	1.18	1407	1.48	1505	1.79	1599	2.11	1689	2.45	1774	2.79	1857	3.15	1938	3.51	2016	3.89
3572	1900	1233	1.00	1348	1.31	1451	1.63	1547	1.95	1638	2.29	1725	2.64	1808	2.99	1889	3.36	1967	3.73	2043	4.12
3666	1950	1259	1.06	1372	1.38	1474	1.71	1568	2.04	1658	2.38	1743	2.74	1826	3.10	1906	3.47	1983	3.85	2058	4.24
3760	2000	1286	1.13	1397	1.46	1497	1.79	1590	2.13	1678	2.48	1762	2.84	1844	3.21	1922	3.58	1999	3.97	2073	4.37
3948	2100	1338	1.27	1446	1.61	1543	1.96	1634	2.32	1720	2.68	1801	3.05	1881	3.43	1957	3.82	2032	4.22	2104	4.63
4042	2150	1364	1.34	1471	1.70	1566	2.05	1656	2.42	1741	2.79	1822	3.16	1900	3.55	1975	3.95	2049	4.35	2120	4.76
4136	2200	1391	1.42	1496	1.79	1590	2.15	1678	2.52	1762	2.90	1842	3.28	1919	3.67	1994	4.08	2066	4.49	2137	4.91
4324	2300	1444	1.59	1546	1.97	1638	2.35	1724	2.73	1805	3.12	1883	3.52	1959	3.93	2032	4.34	2102	4.77	-	-
4418	2350	1471	1.68	1571	2.07	1662	2.46	1747	2.85	1827	3.24	1905	3.65	1979	4.06	2051	4.48	2121	4.91	-	-
4512	2400	1498	1.77	1597	2.17	1686	2.56	1770	2.96	1850	3.37	1926	3.78	1999	4.20	2070	4.63	-	-	-	-
4606	2450	1524	1.87	1622	2.27	1711	2.68	1794	3.08	1872	3.50	1947	3.91	2020	4.34	2090	4.77	-	-	-	-
4700	2500	1551	1.97	1648	2.38	1735	2.79	1817	3.21	1895	3.63	1969	4.05	2041	4.49	2110	4.93	-	-	-	-
4794	2550	1578	2.07	1673	2.49	1760	2.91	1841	3.33	1917	3.76	1991	4.19	2062	4.63	-	-	-	-	-	-
4888	2600	1605	2.18	1699	2.61	1784	3.04	1865	3.47	1940	3.90	2013	4.34	2083	4.79	-	-	-	-	-	-
4982	2650	1632	2.29	1725	2.73	1809	3.16	1889	3.60	1964	4.04	2036	4.49	2105	4.94	-	-	-	-	-	-
5076	2700	1659	2.40	1751	2.85	1834	3.30	1913	3.74	1987	4.19	2058	4.65	-	-	-	-	-	-	-	-
5264	2800	1714	2.64	1803	3.11	1885	3.57	1961	4.03	2034	4.50	2104	4.97	-	-	-	-	-	-	-	-
5358	2850	1741	2.77	1829	3.25	1910	3.71	1986	4.19	2057	4.66	-	-	-	-	-	-	-	-	-	-
5452	2900	1768	2.90	1855	3.39	1935	3.86	2010	4.34	2081	4.82	-	-	-	-	-	-	-	-	-	-
5546	2950	1796	3.04	1882	3.53	1961	4.02	2035	4.50	2105	4.99	-	-	-	-	-	-	-	-	-	-
5640	3000	1823	3.18	1908	3.68	1986	4.17	2060	4.67	-	-	-	-	-	-	-	-	-	-	-	-
5828	3100	1878	3.47	1961	3.99	2037	4.50	-	-	-	-	-	-	-	-	-	-	-	-	-	-
6016	3200	1933	3.78	2014	4.32	2089	4.85	-	-	-	-	-	-	-	-	-	-	-	-	-	-
6204	3300	1988	4.11	2067	4.67	-	-	-	-	-	-	-	-	-	-	-	-	-	-	-	-
6298	3350	2016	4.28	2094	4.85	-	-	-	-	-	-	-	-	-	-	-	-	-	-	-	-
6392	3400	2043	4.46	-	-	-	-	-	-	-	-	-	-	-	-	-	-	-	-	-	-
6486	3450	2071	4.64	-	-	-	-	-	-	-	-	-	-	-	-	-	-	-	-	-	-

Performance certified is for installation type B - free inlet, ducted outlet.
 Performance ratings do not include the effects of appurtenances (accessories).
 Power rating (BHP) does not include transmission losses.



JencoFan, Div. of Soler & Palau Ventilation Group certifies that the Models CM shown herein are licensed to bear the AMCA Seal (except CM10). The ratings shown are based on test and procedures performed in accordance with AMCA Publication 211 and AMCA Publication 311 and comply with the requirement of the AMCA Certified Ratings Program.



UL STANDARD 705
 UL STANDARD 762
 UL STANDARD 934
 Optional - Must be specified

CM 20

Wheel Diameter: 20-3/16"
Outlet Area: 2.33 Sq. Ft.
Average Weight: CM - 188 lbs
Shaft Diameter: 1-1/2"
Tip Speed: 5.26 x RPM=FPM
Max Fan RPM: 1,823 RPM
Max Motor HP: 5 HP
FEG: 80

CFM	OV	Static Pressure (Inches W.G.)																			
		0.5		1		1.5		2		2.5		3		3.5		4		4.5		5	
		RPM	BHP	RPM	BHP	RPM	BHP	RPM	BHP	RPM	BHP	RPM	BHP	RPM	BHP	RPM	BHP	RPM	BHP	RPM	BHP
1864	800	635	0.22	804	0.42	950	0.64	-	-	-	-	-	-	-	-	-	-	-	-	-	-
2097	900	669	0.27	828	0.48	967	0.71	-	-	-	-	-	-	-	-	-	-	-	-	-	-
2330	1000	706	0.31	856	0.54	989	0.79	1110	1.05	-	-	-	-	-	-	-	-	-	-	-	-
2563	1100	744	0.37	887	0.61	1014	0.87	1130	1.15	1237	1.45	-	-	-	-	-	-	-	-	-	-
2680	1150	764	0.40	904	0.65	1027	0.92	1141	1.20	1247	1.51	1346	1.83	-	-	-	-	-	-	-	-
2796	1200	784	0.43	921	0.69	1042	0.96	1153	1.26	1257	1.57	1355	1.90	1447	2.24	-	-	-	-	-	-
2913	1250	805	0.47	938	0.73	1056	1.01	1165	1.32	1267	1.64	1364	1.97	1455	2.32	-	-	-	-	-	-
3029	1300	825	0.50	956	0.78	1072	1.07	1179	1.38	1279	1.70	1374	2.04	1464	2.40	1550	2.77	-	-	-	-
3146	1350	846	0.54	974	0.82	1088	1.12	1193	1.44	1291	1.77	1384	2.12	1473	2.48	1558	2.86	-	-	-	-
3262	1400	867	0.58	993	0.87	1104	1.18	1207	1.50	1304	1.84	1395	2.20	1483	2.57	1567	2.95	1647	3.35	-	-
3379	1450	889	0.63	1012	0.93	1121	1.24	1222	1.57	1317	1.92	1407	2.28	1493	2.66	1576	3.05	1655	3.45	1732	3.86
3495	1500	910	0.68	1031	0.98	1138	1.30	1237	1.64	1331	2.00	1419	2.37	1504	2.75	1586	3.14	1664	3.55	1740	3.97
3612	1550	932	0.72	1050	1.04	1156	1.37	1253	1.71	1345	2.08	1432	2.45	1516	2.84	1596	3.25	1674	3.66	1749	4.09
3728	1600	954	0.78	1070	1.10	1173	1.44	1269	1.79	1360	2.16	1446	2.54	1528	2.94	1607	3.35	1684	3.77	1758	4.21
3845	1650	976	0.83	1090	1.16	1192	1.51	1286	1.87	1375	2.25	1460	2.64	1541	3.04	1619	3.46	1695	3.89	1768	4.33
3961	1700	998	0.89	1110	1.23	1210	1.58	1303	1.95	1390	2.33	1474	2.73	1554	3.14	1631	3.57	1706	4.00	1778	4.45
4078	1750	1021	0.95	1131	1.30	1229	1.66	1320	2.04	1406	2.43	1489	2.83	1568	3.25	1644	3.68	1717	4.13	1789	4.58
4194	1800	1043	1.01	1151	1.37	1248	1.74	1338	2.12	1423	2.52	1504	2.94	1582	3.36	1657	3.80	1729	4.25	1800	4.71
4311	1850	1066	1.08	1172	1.44	1268	1.82	1356	2.22	1439	2.62	1519	3.04	1596	3.48	1670	3.92	1742	4.38	1811	4.85
4427	1900	1088	1.14	1193	1.52	1287	1.91	1374	2.31	1457	2.73	1535	3.15	1611	3.59	1684	4.05	1755	4.51	1823	4.99
4660	2000	1134	1.29	1235	1.69	1327	2.10	1411	2.51	1491	2.94	1568	3.38	1642	3.84	1713	4.31	1782	4.78	-	-
4777	2050	1156	1.37	1257	1.78	1347	2.19	1430	2.62	1509	3.06	1585	3.51	1658	3.97	1728	4.44	1796	4.93	-	-
4893	2100	1179	1.45	1278	1.87	1367	2.29	1450	2.73	1527	3.17	1602	3.63	1674	4.10	1743	4.58	-	-	-	-
5010	2150	1203	1.54	1300	1.96	1388	2.40	1469	2.84	1546	3.29	1619	3.76	1690	4.24	1759	4.73	-	-	-	-
5126	2200	1226	1.63	1322	2.06	1408	2.51	1488	2.96	1564	3.42	1637	3.89	1707	4.38	1775	4.87	-	-	-	-
5243	2250	1249	1.72	1344	2.17	1429	2.62	1508	3.08	1583	3.55	1655	4.03	1724	4.52	-	-	-	-	-	-
5359	2300	1272	1.82	1366	2.27	1450	2.73	1528	3.20	1602	3.68	1673	4.17	1741	4.67	-	-	-	-	-	-
5476	2350	1295	1.92	1388	2.38	1471	2.85	1548	3.33	1621	3.82	1691	4.31	1759	4.82	-	-	-	-	-	-
5592	2400	1319	2.02	1410	2.50	1492	2.98	1568	3.46	1641	3.96	1710	4.46	-	-	-	-	-	-	-	-
5709	2450	1342	2.13	1432	2.62	1513	3.10	1589	3.60	1660	4.10	1729	4.62	-	-	-	-	-	-	-	-
5825	2500	1366	2.24	1454	2.74	1535	3.24	1609	3.74	1680	4.25	1748	4.77	-	-	-	-	-	-	-	-
6058	2600	1413	2.48	1499	3.00	1578	3.51	1651	4.04	1720	4.57	-	-	-	-	-	-	-	-	-	-
6175	2650	1436	2.60	1522	3.13	1600	3.66	1672	4.19	1740	4.73	-	-	-	-	-	-	-	-	-	-
6291	2700	1460	2.73	1545	3.27	1621	3.81	1693	4.35	1760	4.90	-	-	-	-	-	-	-	-	-	-
6408	2750	1484	2.87	1567	3.42	1643	3.96	1714	4.51	-	-	-	-	-	-	-	-	-	-	-	-
6524	2800	1507	3.01	1590	3.56	1665	4.12	1735	4.68	-	-	-	-	-	-	-	-	-	-	-	-
6757	2900	1555	3.30	1636	3.88	1709	4.45	1778	5.03	-	-	-	-	-	-	-	-	-	-	-	-
6990	3000	1603	3.61	1682	4.21	1754	4.80	-	-	-	-	-	-	-	-	-	-	-	-	-	-
7107	3050	1627	3.77	1705	4.38	1776	4.99	-	-	-	-	-	-	-	-	-	-	-	-	-	-
7223	3100	1651	3.94	1728	4.56	-	-	-	-	-	-	-	-	-	-	-	-	-	-	-	-
7340	3150	1675	4.11	1751	4.74	-	-	-	-	-	-	-	-	-	-	-	-	-	-	-	-
7456	3200	1699	4.29	1774	4.93	-	-	-	-	-	-	-	-	-	-	-	-	-	-	-	-
7573	3250	1723	4.47	-	-	-	-	-	-	-	-	-	-	-	-	-	-	-	-	-	-
7689	3300	1747	4.66	-	-	-	-	-	-	-	-	-	-	-	-	-	-	-	-	-	-
7806	3350	1771	4.86	-	-	-	-	-	-	-	-	-	-	-	-	-	-	-	-	-	-

Performance certified is for installation type B - free inlet, ducted outlet.
 Performance ratings do not include the effects of appurtenances (accessories).
 Power rating (BHP) does not include transmission losses.



JencoFan, Div. of Soler & Palau Ventilation Group certifies that the Models CM shown herein are licensed to bear the AMCA Seal (except CM10). The ratings shown are based on test and procedures performed in accordance with AMCA Publication 211 and AMCA Publication 311 and comply with the requirement of the AMCA Certified Ratings Program.



UL STANDARD 705
 UL STANDARD 762
 UL STANDARD 793
 Optional - Must be specified

CM 22

Wheel Diameter: 22-7/16"
Outlet Area: 2.95 Sq. Ft.
Average Weight: CM - 269 lbs
Shaft Diameter: 1-1/2"
Tip Speed: 5.88 x RPM=FPM
Max Fan RPM: 1,716 RPM
Max Motor HP: 7-1/2 HP
FEG: 80

CFM	OV	Static Pressure (Inches W.G.)																			
		0.5		1		1.5		2		2.5		3		3.5		4		4.5		5	
		RPM	BHP	RPM	BHP	RPM	BHP	RPM	BHP	RPM	BHP	RPM	BHP	RPM	BHP	RPM	BHP	RPM	BHP	RPM	BHP
2360	800	573	0.28	723	0.53	854	0.81	-	-	-	-	-	-	-	-	-	-	-	-	-	-
2655	900	604	0.34	746	0.60	870	0.90	-	-	-	-	-	-	-	-	-	-	-	-	-	-
2950	1000	637	0.40	772	0.68	890	0.99	998	1.33	-	-	-	-	-	-	-	-	-	-	-	-
3245	1100	672	0.47	800	0.77	913	1.10	1016	1.46	1112	1.83	-	-	-	-	-	-	-	-	-	-
3540	1200	709	0.55	831	0.87	939	1.22	1038	1.59	1130	1.99	1218	2.40	-	-	-	-	-	-	-	-
3688	1250	727	0.59	847	0.93	952	1.29	1049	1.67	1140	2.07	1226	2.49	1308	2.93	-	-	-	-	-	-
3835	1300	746	0.64	863	0.98	966	1.35	1062	1.74	1151	2.15	1235	2.58	1316	3.03	1393	3.49	-	-	-	-
3983	1350	765	0.69	880	1.04	981	1.42	1074	1.82	1162	2.24	1245	2.68	1325	3.14	1400	3.61	-	-	-	-
4130	1400	784	0.74	896	1.11	996	1.50	1088	1.90	1174	2.33	1256	2.78	1334	3.25	1409	3.73	1480	4.22	-	-
4278	1450	803	0.80	914	1.17	1011	1.57	1101	1.99	1186	2.43	1267	2.89	1343	3.36	1417	3.85	1488	4.36	-	-
4425	1500	822	0.86	931	1.24	1027	1.65	1116	2.08	1199	2.53	1278	2.99	1354	3.48	1426	3.98	1496	4.49	1564	5.02
4720	1600	862	0.98	967	1.39	1059	1.82	1145	2.27	1226	2.74	1302	3.22	1376	3.72	1446	4.24	1515	4.77	1581	5.32
4868	1650	881	1.05	985	1.47	1076	1.91	1160	2.37	1240	2.85	1315	3.34	1387	3.85	1457	4.38	1524	4.92	1590	5.47
5015	1700	901	1.12	1003	1.56	1093	2.01	1176	2.47	1254	2.96	1328	3.46	1400	3.98	1468	4.52	1535	5.07	1599	5.63
5163	1750	921	1.20	1022	1.64	1110	2.10	1192	2.58	1269	3.08	1342	3.59	1412	4.12	1480	4.66	1545	5.22	1609	5.80
5310	1800	941	1.28	1040	1.74	1127	2.21	1208	2.69	1284	3.20	1356	3.72	1425	4.26	1492	4.81	1557	5.38	1619	5.96
5605	1900	982	1.45	1078	1.93	1163	2.42	1241	2.93	1314	3.46	1385	4.00	1452	4.55	1517	5.13	1580	5.71	1641	6.31
5753	1950	1002	1.54	1097	2.03	1181	2.54	1258	3.06	1330	3.59	1400	4.14	1466	4.71	1530	5.29	1593	5.88	1653	6.49
5900	2000	1022	1.64	1116	2.14	1199	2.66	1275	3.18	1346	3.73	1415	4.29	1480	4.87	1544	5.46	1605	6.06	1665	6.68
6195	2100	1063	1.84	1155	2.37	1235	2.91	1309	3.46	1379	4.02	1446	4.60	1510	5.20	1572	5.81	1631	6.43	1690	7.07
6343	2150	1084	1.95	1174	2.49	1254	3.04	1327	3.60	1396	4.18	1462	4.77	1525	5.37	1586	5.99	1645	6.62	1703	7.27
6490	2200	1105	2.06	1194	2.62	1272	3.18	1345	3.75	1413	4.33	1478	4.93	1540	5.55	1601	6.18	1659	6.82	1716	7.47
6638	2250	1125	2.18	1213	2.75	1291	3.32	1363	3.90	1430	4.50	1494	5.11	1556	5.73	1616	6.37	1673	7.02	-	-
6785	2300	1146	2.30	1233	2.88	1310	3.47	1381	4.06	1447	4.66	1511	5.28	1572	5.92	1631	6.57	1688	7.23	-	-
7080	2400	1188	2.56	1273	3.17	1348	3.77	1417	4.39	1482	5.02	1544	5.66	1604	6.31	1662	6.98	-	-	-	-
7375	2500	1230	2.84	1313	3.47	1386	4.10	1454	4.74	1518	5.39	1578	6.05	1637	6.73	1693	7.41	-	-	-	-
7523	2550	1251	2.99	1333	3.63	1406	4.28	1473	4.93	1536	5.59	1596	6.26	1654	6.94	-	-	-	-	-	-
7670	2600	1272	3.14	1353	3.80	1425	4.46	1491	5.12	1554	5.79	1613	6.47	1671	7.16	-	-	-	-	-	-
7818	2650	1293	3.30	1373	3.97	1445	4.64	1510	5.31	1572	5.99	1631	6.69	1688	7.39	-	-	-	-	-	-
7965	2700	1314	3.47	1394	4.15	1464	4.83	1529	5.51	1590	6.21	1649	6.91	-	-	-	-	-	-	-	-
8260	2800	1356	3.81	1434	4.52	1503	5.22	1567	5.93	1627	6.65	1685	7.38	-	-	-	-	-	-	-	-
8555	2900	1399	4.18	1475	4.92	1543	5.65	1606	6.38	1665	7.12	-	-	-	-	-	-	-	-	-	-
8703	2950	1420	4.38	1496	5.13	1563	5.87	1625	6.61	1684	7.36	-	-	-	-	-	-	-	-	-	-
8850	3000	1441	4.58	1516	5.34	1583	6.09	1645	6.85	-	-	-	-	-	-	-	-	-	-	-	-
8998	3050	1463	4.78	1537	5.56	1603	6.33	1664	7.09	-	-	-	-	-	-	-	-	-	-	-	-
9145	3100	1484	4.99	1558	5.78	1623	6.56	1684	7.34	-	-	-	-	-	-	-	-	-	-	-	-
9293	3150	1505	5.21	1578	6.02	1643	6.81	1703	-	-	-	-	-	-	-	-	-	-	-	-	-
9440	3200	1527	5.44	1599	6.26	1663	7.06	1723	-	-	-	-	-	-	-	-	-	-	-	-	-
9735	3300	1570	5.91	1640	6.75	-	-	-	-	-	-	-	-	-	-	-	-	-	-	-	-
9883	3350	1591	6.16	1661	7.02	-	-	-	-	-	-	-	-	-	-	-	-	-	-	-	-
10030	3400	1613	6.41	1682	7.28	-	-	-	-	-	-	-	-	-	-	-	-	-	-	-	-
10325	3500	1656	6.94	-	-	-	-	-	-	-	-	-	-	-	-	-	-	-	-	-	-
10473	3550	1678	7.22	-	-	-	-	-	-	-	-	-	-	-	-	-	-	-	-	-	-
10620	3600	1699	7.50	-	-	-	-	-	-	-	-	-	-	-	-	-	-	-	-	-	-

Performance certified is for installation type B - free inlet, ducted outlet.
 Performance ratings do not include the effects of appurtenances (accessories).
 Power rating (BHP) does not include transmission losses.



JencoFan, Div. of Soler & Palau Ventilation Group certifies that the Models CM shown herein are licensed to bear the AMCA Seal (except CM10). The ratings shown are based on test and procedures performed in accordance with AMCA Publication 211 and AMCA Publication 311 and comply with the requirement of the AMCA Certified Ratings Program.



UL STANDARD 705
 UL STANDARD 762
 UL STANDARD 793
 Optional - Must be specified

CM 24

Wheel Diameter: 25-3/16"
Outlet Area: 3.70 Sq. Ft.
Average Weight: CM - 340 lbs
Shaft Diameter: 1-1/2"
Tip Speed: 6.60 x RPM=FPM
Max Fan RPM: 1,533 RPM
Max Motor HP: 10 HP
FEG: 80

CFM	OV	Static Pressure (Inches W.G.)																			
		0.5		1		1.5		2		2.5		3		3.5		4		4.5		5	
		RPM	BHP	RPM	BHP	RPM	BHP	RPM	BHP	RPM	BHP	RPM	BHP	RPM	BHP	RPM	BHP	RPM	BHP	RPM	BHP
2960	800	495	0.34	631	0.64	-	-	-	-	-	-	-	-	-	-	-	-	-	-	-	-
3330	900	521	0.40	648	0.72	761	1.08	-	-	-	-	-	-	-	-	-	-	-	-	-	-
3700	1000	549	0.47	669	0.81	776	1.19	874	1.60	-	-	-	-	-	-	-	-	-	-	-	-
4070	1100	579	0.55	692	0.92	794	1.32	887	1.75	975	2.21	-	-	-	-	-	-	-	-	-	-
4440	1200	610	0.64	718	1.03	814	1.46	903	1.91	988	2.39	1068	2.90	-	-	-	-	-	-	-	-
4625	1250	626	0.70	731	1.10	825	1.53	913	2.00	995	2.49	1073	3.00	1148	3.54	-	-	-	-	-	-
4810	1300	642	0.75	744	1.16	836	1.61	922	2.08	1003	2.59	1080	3.11	1154	3.66	-	-	-	-	-	-
4995	1350	658	0.81	758	1.23	848	1.69	932	2.18	1012	2.69	1087	3.22	1159	3.78	1229	4.36	-	-	-	-
5180	1400	674	0.87	773	1.31	861	1.78	943	2.27	1021	2.79	1095	3.34	1166	3.91	1234	4.50	1300	5.10	-	-
5365	1450	691	0.93	787	1.38	874	1.86	954	2.37	1030	2.90	1103	3.46	1173	4.04	1240	4.64	1305	5.26	-	-
5550	1500	707	1.00	802	1.46	887	1.96	966	2.47	1040	3.02	1112	3.59	1181	4.18	1247	4.79	1311	5.41	1373	6.06
5735	1550	724	1.07	817	1.55	900	2.05	978	2.58	1051	3.14	1121	3.72	1189	4.32	1254	4.94	1317	5.58	1378	6.23
5920	1600	741	1.15	832	1.64	914	2.15	990	2.69	1062	3.26	1131	3.85	1197	4.46	1262	5.09	1324	5.74	1384	6.41
6290	1700	775	1.31	863	1.83	942	2.37	1015	2.93	1085	3.52	1152	4.13	1216	4.76	1278	5.41	1339	6.09	1397	6.77
6475	1750	792	1.40	879	1.93	957	2.48	1029	3.06	1097	3.66	1163	4.28	1226	4.92	1287	5.58	1347	6.26	1405	6.96
6660	1800	809	1.49	895	2.03	971	2.60	1042	3.19	1109	3.80	1174	4.43	1236	5.08	1297	5.76	1355	6.45	1412	7.16
6845	1850	827	1.58	911	2.14	986	2.72	1056	3.32	1122	3.94	1186	4.59	1247	5.25	1306	5.94	1364	6.64	1420	7.36
7030	1900	844	1.68	927	2.26	1001	2.85	1070	3.46	1135	4.10	1198	4.75	1258	5.42	1317	6.12	1373	6.83	1429	7.56
7215	1950	862	1.79	943	2.38	1016	2.98	1084	3.61	1148	4.25	1210	4.92	1269	5.60	1327	6.31	1383	7.03	1438	7.77
7400	2000	879	1.90	960	2.50	1032	3.12	1099	3.76	1162	4.41	1222	5.09	1281	5.79	1338	6.50	1393	7.24	1447	7.99
7585	2050	897	2.01	976	2.63	1047	3.26	1113	3.91	1175	4.58	1235	5.27	1293	5.98	1349	6.70	1404	7.45	1457	8.21
7770	2100	914	2.13	993	2.77	1063	3.41	1128	4.07	1189	4.75	1248	5.45	1305	6.17	1361	6.91	1414	7.67	1467	8.44
8140	2200	950	2.39	1026	3.05	1095	3.72	1158	4.41	1218	5.11	1275	5.84	1331	6.58	1384	7.34	1437	8.12	1488	8.91
8325	2250	968	2.52	1043	3.20	1111	3.89	1173	4.59	1232	5.30	1289	6.04	1344	6.79	1397	7.56	1448	8.35	1499	9.16
8510	2300	986	2.66	1060	3.36	1127	4.06	1188	4.77	1247	5.50	1303	6.25	1357	7.01	1409	7.79	1460	8.59	1510	9.41
8695	2350	1003	2.81	1077	3.52	1143	4.23	1204	4.96	1262	5.70	1317	6.46	1370	7.24	1422	8.03	1472	8.84	1522	9.67
8880	2400	1021	2.96	1094	3.69	1159	4.41	1220	5.15	1277	5.91	1331	6.68	1384	7.47	1435	8.27	1485	9.09	1533	9.93
9250	2500	1057	3.28	1129	4.04	1192	4.79	1251	5.56	1307	6.34	1360	7.14	1412	7.95	1461	8.78	1510	9.62	-	-
9620	2600	1094	3.63	1163	4.42	1225	5.20	1283	5.99	1338	6.80	1390	7.62	1440	8.46	1489	9.31	-	-	-	-
9990	2700	1130	4.00	1198	4.82	1259	5.63	1315	6.45	1369	7.28	1420	8.13	1469	8.99	1517	9.87	-	-	-	-
10360	2800	1166	4.40	1233	5.24	1293	6.09	1348	6.94	1400	7.80	1450	8.67	1499	9.55	-	-	-	-	-	-
10545	2850	1185	4.60	1251	5.47	1310	6.33	1365	7.19	1416	8.06	1466	8.95	1513	9.85	-	-	-	-	-	-
10730	2900	1203	4.82	1268	5.70	1327	6.57	1381	7.45	1432	8.33	1481	9.23	-	-	-	-	-	-	-	-
10915	2950	1221	5.04	1286	5.94	1344	6.83	1398	7.72	1448	8.62	1497	9.53	-	-	-	-	-	-	-	-
11100	3000	1240	5.27	1304	6.18	1361	7.09	1414	7.99	1465	8.91	1513	9.83	-	-	-	-	-	-	-	-
11470	3100	1276	5.75	1339	6.70	1396	7.63	1448	8.56	1497	9.50	-	-	-	-	-	-	-	-	-	-
11840	3200	1313	6.26	1375	7.24	1430	8.20	1482	9.17	-	-	-	-	-	-	-	-	-	-	-	-
12025	3250	1332	6.53	1393	7.52	1448	8.50	1499	9.48	-	-	-	-	-	-	-	-	-	-	-	-
12210	3300	1350	6.80	1411	7.81	1465	8.81	1516	9.80	-	-	-	-	-	-	-	-	-	-	-	-
12395	3350	1369	7.08	1429	8.11	1483	9.12	-	-	-	-	-	-	-	-	-	-	-	-	-	-
12580	3400	1387	7.37	1447	8.42	1500	9.44	-	-	-	-	-	-	-	-	-	-	-	-	-	-
12765	3450	1406	7.67	1465	8.73	1518	9.77	-	-	-	-	-	-	-	-	-	-	-	-	-	-
12950	3500	1424	7.98	1483	9.05	-	-	-	-	-	-	-	-	-	-	-	-	-	-	-	-
13320	3600	1462	8.62	1519	9.73	-	-	-	-	-	-	-	-	-	-	-	-	-	-	-	-
13505	3650	1480	8.95	-	-	-	-	-	-	-	-	-	-	-	-	-	-	-	-	-	-

Performance certified is for installation type B - free inlet, ducted outlet.
 Performance ratings do not include the effects of appurtenances (accessories).
 Power rating (BHP) does not include transmission losses.



JencoFan, Div. of Soler & Palau Ventilation Group certifies that the Models CM shown herein are licensed to bear the AMCA Seal (except CM10). The ratings shown are based on test and procedures performed in accordance with AMCA Publication 211 and AMCA Publication 311 and comply with the requirement of the AMCA Certified Ratings Program.



UL STANDARD 705
 UL STANDARD 762
 UL STANDARD 793
 Optional - Must be specified

Wheel Diameter: 28-1/4"
Outlet Area: 4.70 Sq. Ft.
Average Weight: CM - 549 lbs
Shaft Diameter: 1-3/4"
Tip Speed: 7.40 x RPM=FPM
Max Fan RPM: 1,297 RPM
Max Motor HP: CM - 15 HP
FEG: 80

CFM	OV	Static Pressure (Inches W.G.)																			
		0.5		1		1.5		2		2.5		3		3.5		4		4.5		5	
		RPM	BHP	RPM	BHP	RPM	BHP	RPM	BHP	RPM	BHP	RPM	BHP	RPM	BHP	RPM	BHP	RPM	BHP	RPM	BHP
3760	800	448	0.43	568	0.81	672	1.2	-	-	-	-	-	-	-	-	-	-	-	-	-	-
4230	900	472	0.51	585	0.92	684	1.4	-	-	-	-	-	-	-	-	-	-	-	-	-	-
4700	1000	497	0.60	605	1.04	699	1.5	785	2.0	-	-	-	-	-	-	-	-	-	-	-	-
5170	1100	524	0.71	626	1.18	716	1.7	799	2.2	875	2.8	-	-	-	-	-	-	-	-	-	-
5405	1150	538	0.77	638	1.25	726	1.8	807	2.3	882	2.9	952	3.5	-	-	-	-	-	-	-	-
5640	1200	552	0.83	649	1.33	736	1.9	815	2.4	889	3.0	958	3.7	-	-	-	-	-	-	-	-
5875	1250	567	0.90	661	1.41	746	2.0	824	2.6	896	3.2	965	3.8	1029	4.5	-	-	-	-	-	-
6110	1300	581	0.97	674	1.49	757	2.1	833	2.7	904	3.3	971	4.0	1035	4.6	1097	5.4	-	-	-	-
6345	1350	596	1.04	687	1.58	768	2.2	842	2.8	912	3.4	979	4.1	1042	4.8	1102	5.5	-	-	-	-
6580	1400	611	1.12	700	1.68	779	2.3	852	2.9	921	3.6	986	4.3	1049	5.0	1108	5.7	1165	6.5	-	-
6815	1450	626	1.20	713	1.78	791	2.4	863	3.0	930	3.7	995	4.4	1056	5.1	1115	5.9	1171	6.7	-	-
7050	1500	641	1.29	726	1.88	803	2.5	873	3.2	940	3.9	1003	4.6	1064	5.3	1122	6.1	1177	6.9	1231	7.7
7520	1600	672	1.48	754	2.11	827	2.8	896	3.5	960	4.2	1021	4.9	1080	5.7	1136	6.5	1191	7.3	1243	8.1
7755	1650	688	1.59	768	2.23	840	2.9	907	3.6	971	4.3	1031	5.1	1089	5.9	1144	6.7	1198	7.5	1250	8.4
7990	1700	703	1.70	782	2.35	853	3.0	919	3.8	981	4.5	1041	5.3	1098	6.1	1153	6.9	1206	7.8	1257	8.6
8460	1800	735	1.93	811	2.62	879	3.3	943	4.1	1004	4.9	1062	5.7	1117	6.5	1171	7.4	1222	8.2	1272	9.1
8695	1850	751	2.06	825	2.76	893	3.5	956	4.3	1015	5.1	1072	5.9	1127	6.7	1180	7.6	1231	8.5	1280	9.4
8930	1900	767	2.19	840	2.91	907	3.7	969	4.4	1027	5.3	1083	6.1	1137	6.9	1189	7.8	1240	8.7	1289	9.7
9165	1950	783	2.33	855	3.07	920	3.8	981	4.6	1039	5.5	1095	6.3	1148	7.2	1199	8.1	1249	9.0	1297	9.9
9400	2000	799	2.48	870	3.23	934	4.0	995	4.8	1052	5.7	1106	6.5	1159	7.4	1209	8.3	1259	9.3	1306	10.2
9635	2050	815	2.63	885	3.40	948	4.2	1008	5.0	1064	5.9	1118	6.8	1170	7.7	1220	8.6	1268	9.5	1316	10.5
9870	2100	832	2.79	900	3.58	963	4.4	1021	5.2	1077	6.1	1130	7.0	1181	7.9	1230	8.9	1278	9.8	1325	10.8
10105	2150	848	2.95	916	3.76	977	4.6	1035	5.5	1089	6.3	1142	7.2	1192	8.2	1241	9.1	1289	10.1	1335	11.1
10340	2200	865	3.13	931	3.95	992	4.8	1048	5.7	1102	6.6	1154	7.5	1204	8.4	1252	9.4	1299	10.4	1345	11.4
10575	2250	881	3.31	946	4.15	1006	5.0	1062	5.9	1116	6.8	1167	7.8	1216	8.7	1264	9.7	1310	10.7	1355	11.7
10810	2300	897	3.49	962	4.35	1021	5.2	1076	6.1	1129	7.1	1179	8.0	1228	9.0	1275	10.0	1321	11.0	1365	12.1
11280	2400	931	3.89	993	4.78	1051	5.7	1105	6.6	1156	7.6	1205	8.6	1253	9.6	1299	10.6	1343	11.7	1387	12.7
11750	2500	964	4.32	1025	5.25	1081	6.2	1133	7.2	1183	8.2	1231	9.2	1278	10.2	1323	11.3	1367	12.3	1409	13.4
11985	2550	981	4.55	1041	5.49	1096	6.5	1148	7.4	1197	8.5	1245	9.5	1291	10.5	1335	11.6	1378	12.7	1421	13.8
12220	2600	998	4.78	1057	5.74	1111	6.7	1162	7.7	1211	8.8	1258	9.8	1304	10.9	1348	12.0	1390	13.1	1432	14.2
12455	2650	1014	5.03	1073	6.00	1126	7.0	1177	8.0	1225	9.1	1272	10.1	1317	11.2	1360	12.3	1403	13.4	-	-
12690	2700	1031	5.28	1089	6.27	1142	7.3	1192	8.3	1240	9.4	1286	10.5	1330	11.6	1373	12.7	1415	13.8	-	-
12925	2750	1048	5.54	1105	6.55	1157	7.6	1207	8.6	1254	9.7	1299	10.8	1343	11.9	1386	13.0	1427	14.2	-	-
13160	2800	1065	5.81	1121	6.84	1173	7.9	1222	9.0	1268	10.0	1313	11.2	1357	12.3	1399	13.4	1440	14.6	-	-
13630	2900	1099	6.38	1153	7.44	1204	8.5	1252	9.6	1298	10.7	1342	11.9	1384	13.0	1425	14.2	-	-	-	-
14100	3000	1133	6.98	1186	8.08	1236	9.2	1282	10.3	1327	11.5	1370	12.7	1412	13.9	1452	15.1	-	-	-	-
14335	3050	1150	7.30	1202	8.42	1251	9.6	1298	10.7	1342	11.9	1385	13.1	1426	14.3	-	-	-	-	-	-
14570	3100	1167	7.63	1219	8.76	1267	9.9	1313	11.1	1357	12.3	1399	13.5	1440	14.7	-	-	-	-	-	-
14805	3150	1184	7.96	1235	9.12	1283	10.3	1328	11.5	1372	12.7	1414	13.9	1454	15.1	-	-	-	-	-	-
15040	3200	1201	8.31	1252	9.48	1299	10.7	1344	11.9	1387	13.1	1428	14.3	-	-	-	-	-	-	-	-
15275	3250	1218	8.67	1268	9.86	1315	11.1	1359	12.3	1402	13.5	1443	14.8	-	-	-	-	-	-	-	-
15510	3300	1236	9.04	1285	10.25	1331	11.5	1375	12.7	1417	14.0	-	-	-	-	-	-	-	-	-	-
15745	3350	1253	9.42	1302	10.65	1347	11.9	1391	13.1	1432	14.4	-	-	-	-	-	-	-	-	-	-
15980	3400	1270	9.81	1318	11.05	1363	12.3	1406	13.6	1448	14.9	-	-	-	-	-	-	-	-	-	-

Performance certified is for installation type B - free inlet, ducted outlet.
 Performance ratings do not include the effects of appurtenances (accessories).
 Power rating (BHP) does not include transmission losses.



JencoFan, Div. of Soler & Palau Ventilation Group certifies that the Models CM shown herein are licensed to bear the AMCA Seal (except CM10). The ratings shown are based on test and procedures performed in accordance with AMCA Publication 211 and AMCA Publication 311 and comply with the requirement of the AMCA Certified Ratings Program.



UL STANDARD 705
 UL STANDARD 762
 UL STANDARD 793
 Optional - Must be specified

CM 30

Wheel Diameter: 31-7/8"
Outlet Area: 5.76 Sq. Ft.
Average Weight: CM - 739 lbs
Shaft Diameter: 1-3/4"
Tip Speed: 8.33 x RPM=FPM
Max Fan RPM: 1,093 RPM
Max Motor HP: CM - 15 HP
FEG: 85

CFM	OV	Static Pressure (Inches W.G.)																			
		0.5		1		1.5		2		2.5		3		3.5		4		4.5		5	
		RPM	BHP	RPM	BHP	RPM	BHP	RPM	BHP	RPM	BHP	RPM	BHP	RPM	BHP	RPM	BHP	RPM	BHP	RPM	BHP
4608	800	394	0.5	502	1.0	-	-	-	-	-	-	-	-	-	-	-	-	-	-	-	-
5184	900	415	0.6	516	1.1	604	1.7	-	-	-	-	-	-	-	-	-	-	-	-	-	-
5760	1000	437	0.8	533	1.3	617	1.9	693	2.5	-	-	-	-	-	-	-	-	-	-	-	-
6048	1050	448	0.8	542	1.4	624	2.0	699	2.6	768	3.3	-	-	-	-	-	-	-	-	-	-
6336	1100	460	0.9	551	1.5	632	2.1	705	2.8	773	3.5	-	-	-	-	-	-	-	-	-	-
6624	1150	472	1.0	561	1.6	640	2.2	712	2.9	779	3.6	842	4.4	-	-	-	-	-	-	-	-
6912	1200	484	1.0	571	1.7	648	2.3	719	3.0	785	3.8	847	4.5	-	-	-	-	-	-	-	-
7200	1250	496	1.1	581	1.8	657	2.4	726	3.2	791	3.9	852	4.7	910	5.5	-	-	-	-	-	-
7488	1300	509	1.2	592	1.9	666	2.6	734	3.3	798	4.1	858	4.9	915	5.7	-	-	-	-	-	-
7776	1350	521	1.3	603	2.0	676	2.7	742	3.5	805	4.3	864	5.1	920	5.9	974	6.8	-	-	-	-
8064	1400	534	1.4	614	2.1	685	2.8	751	3.6	813	4.4	871	5.3	926	6.2	979	7.1	1030	8.0	-	-
8352	1450	547	1.5	625	2.2	695	3.0	760	3.8	820	4.6	878	5.5	932	6.4	985	7.3	1035	8.2	-	-
8640	1500	560	1.6	637	2.3	706	3.1	769	3.9	829	4.8	885	5.7	939	6.6	990	7.5	1040	8.5	1088	9.5
8928	1550	573	1.7	649	2.5	716	3.3	778	4.1	837	5.0	893	5.9	946	6.8	997	7.8	1046	8.8	1093	9.8
9216	1600	587	1.8	661	2.6	727	3.4	788	4.3	846	5.2	901	6.1	953	7.1	1003	8.0	1052	9.0	1098	10.1
9504	1650	600	2.0	673	2.8	738	3.6	798	4.5	855	5.4	909	6.3	960	7.3	1010	8.3	1058	9.3	1104	10.4
9792	1700	613	2.1	685	2.9	749	3.8	808	4.7	864	5.6	917	6.6	968	7.6	1017	8.6	1064	9.6	1110	10.7
10080	1750	627	2.2	697	3.1	760	4.0	819	4.9	874	5.8	926	6.8	976	7.8	1025	8.8	1071	9.9	1116	11.0
10368	1800	641	2.4	710	3.3	772	4.2	829	5.1	883	6.1	935	7.1	985	8.1	1032	9.1	1078	10.2	1123	11.3
10656	1850	654	2.5	722	3.4	783	4.4	840	5.3	893	6.3	944	7.3	993	8.4	1040	9.4	1086	10.5	1130	11.6
10944	1900	668	2.7	735	3.6	795	4.6	851	5.5	903	6.5	954	7.6	1002	8.6	1048	9.7	1093	10.8	1137	12.0
11232	1950	682	2.9	748	3.8	807	4.8	862	5.8	914	6.8	963	7.8	1011	8.9	1057	10.0	1101	11.2	1144	12.3
11520	2000	696	3.1	761	4.0	819	5.0	873	6.0	924	7.0	973	8.1	1020	9.2	1066	10.3	1109	11.5	1152	12.7
11808	2050	710	3.2	773	4.2	831	5.2	884	6.3	935	7.3	983	8.4	1030	9.5	1074	10.7	1118	11.8	1160	13.0
12096	2100	724	3.4	787	4.4	843	5.5	896	6.5	946	7.6	993	8.7	1039	9.8	1084	11.0	1126	12.2	1168	13.4
12384	2150	738	3.6	800	4.7	855	5.7	908	6.8	957	7.9	1004	9.0	1049	10.2	1093	11.3	1135	12.6	1176	13.8
12672	2200	752	3.9	813	4.9	868	6.0	919	7.0	968	8.2	1014	9.3	1059	10.5	1102	11.7	1144	12.9	1185	14.2
13248	2300	780	4.3	839	5.4	893	6.5	943	7.6	991	8.8	1036	10.0	1080	11.2	1122	12.4	1163	13.7	1203	15.0
13536	2350	795	4.5	853	5.6	906	6.8	955	7.9	1002	9.1	1047	10.3	1090	11.5	1132	12.8	1172	14.1	-	-
13824	2400	809	4.8	866	5.9	919	7.1	967	8.2	1014	9.4	1058	10.7	1101	11.9	1142	13.2	1182	14.5	-	-
14112	2450	823	5.1	880	6.2	932	7.4	980	8.6	1026	9.8	1069	11.0	1112	12.3	1152	13.6	1192	14.9	-	-
14400	2500	838	5.3	894	6.5	944	7.7	992	8.9	1037	10.1	1081	11.4	1122	12.7	1163	14.0	-	-	-	-
14688	2550	852	5.6	907	6.8	958	8.0	1005	9.2	1049	10.5	1092	11.8	1133	13.1	1173	14.4	-	-	-	-
14976	2600	866	5.9	921	7.1	971	8.3	1017	9.6	1061	10.9	1104	12.2	1145	13.5	1184	14.9	-	-	-	-
15552	2700	895	6.5	948	7.7	997	9.0	1043	10.3	1086	11.6	1127	13.0	1167	14.4	-	-	-	-	-	-
15840	2750	910	6.8	962	8.1	1010	9.4	1055	10.7	1098	12.0	1139	13.4	1179	14.8	-	-	-	-	-	-
16128	2800	924	7.1	976	8.4	1024	9.8	1068	11.1	1110	12.5	1151	13.9	-	-	-	-	-	-	-	-
16416	2850	939	7.5	990	8.8	1037	10.1	1081	11.5	1123	12.9	1163	14.3	-	-	-	-	-	-	-	-
16704	2900	954	7.8	1004	9.2	1050	10.5	1094	11.9	1136	13.3	1175	14.8	-	-	-	-	-	-	-	-
16992	2950	968	8.2	1018	9.6	1064	11.0	1107	12.4	1148	13.8	-	-	-	-	-	-	-	-	-	-
17280	3000	983	8.6	1032	10.0	1077	11.4	1120	12.8	1161	14.2	-	-	-	-	-	-	-	-	-	-
17568	3050	998	9.0	1046	10.4	1091	11.8	1133	13.2	1174	14.7	-	-	-	-	-	-	-	-	-	-
17856	3100	1012	9.4	1060	10.8	1105	12.2	1147	13.7	-	-	-	-	-	-	-	-	-	-	-	-
18144	3150	1027	9.8	1074	11.2	1118	12.7	1160	14.2	-	-	-	-	-	-	-	-	-	-	-	-

Performance certified is for installation type B - free inlet, ducted outlet.
 Performance ratings do not include the effects of appurtenances (accessories).
 Power rating (BHP) does not include transmission losses.



JencoFan, Div. of Soler & Palau Ventilation Group certifies that the Models CM shown herein are licensed to bear the AMCA Seal (except CM10). The ratings shown are based on test and procedures performed in accordance with AMCA Publication 211 and AMCA Publication 311 and comply with the requirement of the AMCA Certified Ratings Program.



UL STANDARD 705
 UL STANDARD 762
 UL STANDARD 793
 Optional - Must be specified

CM 36

Wheel Diameter: 35-5/8"
Outlet Area: 7.26 Sq. Ft.
Inlet Area: 6.945 Sq. Ft.
Average Weight: 959 lb
Shaft Diameter: 2-3/16"
Tip Speed: 9.33 x RPM=FPM
Max Fan RPM: 1,061 RPM
Max Motor HP: 15 HP
FEG: 85

CFM	OV	Static Pressure (Inches W.G.)																			
		0.5		1		1.5		2		2.5		3		3.5		4		4.5		5	
		RPM	BHP	RPM	BHP	RPM	BHP	RPM	BHP	RPM	BHP	RPM	BHP	RPM	BHP	RPM	BHP	RPM	BHP	RPM	BHP
5808	800	352	0.68	448	1.27	531	1.93	-	-	-	-	-	-	-	-	-	-	-	-	-	-
6534	900	371	0.80	461	1.44	540	2.14	-	-	-	-	-	-	-	-	-	-	-	-	-	-
7260	1000	391	0.94	476	1.63	551	2.38	619	3.18	-	-	-	-	-	-	-	-	-	-	-	-
7623	1050	401	1.02	484	1.73	558	2.50	624	3.33	686	4.20	-	-	-	-	-	-	-	-	-	-
7986	1100	412	1.11	493	1.84	564	2.64	630	3.49	691	4.38	-	-	-	-	-	-	-	-	-	-
8349	1150	422	1.20	501	1.95	572	2.77	636	3.65	696	4.57	752	5.52	-	-	-	-	-	-	-	-
8712	1200	433	1.29	510	2.07	579	2.92	642	3.81	701	4.76	756	5.74	-	-	-	-	-	-	-	-
9075	1250	445	1.40	520	2.20	587	3.07	649	3.99	707	4.95	761	5.96	813	7.00	-	-	-	-	-	-
9438	1300	456	1.51	529	2.33	595	3.22	656	4.17	713	5.15	766	6.18	817	7.25	866	8.35	-	-	-	-
9801	1350	467	1.62	539	2.47	604	3.39	663	4.35	719	5.36	772	6.42	822	7.51	870	8.63	916	9.8	-	-
10164	1400	479	1.74	549	2.62	613	3.56	671	4.55	726	5.58	778	6.66	827	7.77	875	8.92	920	10.1	-	-
10527	1450	491	1.87	560	2.78	622	3.74	679	4.75	733	5.81	784	6.91	833	8.04	880	9.21	925	10.4	968	11.6
10890	1500	503	2.01	570	2.94	631	3.92	687	4.96	740	6.04	790	7.16	839	8.32	885	9.51	929	10.7	972	12.0
11253	1550	515	2.16	581	3.11	640	4.12	696	5.17	748	6.28	797	7.42	845	8.61	890	9.82	934	11.1	977	12.4
11616	1600	527	2.31	592	3.29	650	4.32	704	5.40	756	6.53	804	7.70	851	8.90	896	10.1	939	11.4	981	12.7
12342	1700	551	2.65	613	3.67	670	4.75	722	5.88	772	7.05	819	8.27	865	9.52	909	10.8	951	12.1	992	13.5
12705	1750	563	2.83	625	3.87	680	4.98	732	6.13	781	7.33	827	8.56	872	9.84	915	11.2	957	12.5	997	13.9
13068	1800	576	3.01	636	4.09	690	5.21	741	6.39	789	7.61	835	8.87	880	10.2	922	11.5	963	12.9	1003	14.3
13431	1850	588	3.21	647	4.31	701	5.46	751	6.66	798	7.91	844	9.19	887	10.5	929	11.9	970	13.3	1009	14.7
13794	1900	601	3.42	659	4.54	712	5.72	761	6.94	808	8.21	852	9.52	895	10.9	937	12.2	977	13.7	1016	15.1
14157	1950	613	3.64	670	4.78	722	5.98	771	7.23	817	8.52	861	9.9	903	11.2	944	12.6	984	14.1	-	-
14520	2000	626	3.86	682	5.04	733	6.26	781	7.53	826	8.85	870	10.2	912	11.6	952	13.0	991	14.5	-	-
15246	2100	651	4.35	706	5.57	755	6.85	802	8.17	846	9.53	888	10.9	929	12.4	968	13.8	-	-	-	-
15609	2150	664	4.61	718	5.86	767	7.16	812	8.50	856	9.89	898	11.3	938	12.8	977	14.3	-	-	-	-
15972	2200	677	4.88	730	6.15	778	7.48	823	8.85	866	10.3	907	11.7	947	13.2	985	14.7	-	-	-	-
16335	2250	690	5.16	742	6.46	789	7.81	834	9.20	876	10.6	917	12.1	956	13.6	-	-	-	-	-	-
16698	2300	702	5.45	754	6.78	801	8.15	845	9.57	886	11.0	927	12.5	965	14.1	-	-	-	-	-	-
17061	2350	715	5.76	766	7.11	812	8.51	856	10.0	897	11.4	937	13.0	975	14.5	-	-	-	-	-	-
17424	2400	728	6.07	778	7.45	824	8.88	867	10.3	907	11.9	947	13.4	984	15.0	-	-	-	-	-	-
18150	2500	754	6.74	803	8.18	847	9.65	889	11.2	929	12.7	967	14.3	-	-	-	-	-	-	-	-
18513	2550	767	7.10	815	8.56	859	10.1	900	11.6	940	13.2	977	14.8	-	-	-	-	-	-	-	-
18876	2600	781	7.47	828	8.95	871	10.5	912	12.0	951	13.6	-	-	-	-	-	-	-	-	-	-
19239	2650	794	7.85	840	9.36	883	10.9	923	12.5	962	14.1	-	-	-	-	-	-	-	-	-	-
19602	2700	807	8.24	853	9.8	895	11.4	935	13.0	973	14.6	-	-	-	-	-	-	-	-	-	-
19965	2750	820	8.65	865	10.2	907	11.8	946	13.5	984	15.1	-	-	-	-	-	-	-	-	-	-
20328	2800	833	9.1	878	10.7	919	12.3	958	14.0	-	-	-	-	-	-	-	-	-	-	-	-
21054	2900	860	10.0	903	11.6	943	13.3	981	15.0	-	-	-	-	-	-	-	-	-	-	-	-
21417	2950	873	10.4	916	12.1	956	13.8	-	-	-	-	-	-	-	-	-	-	-	-	-	-
21780	3000	886	10.9	929	12.6	968	14.3	-	-	-	-	-	-	-	-	-	-	-	-	-	-
22143	3050	900	11.4	941	13.1	980	14.9	-	-	-	-	-	-	-	-	-	-	-	-	-	-
22506	3100	913	11.9	954	13.7	-	-	-	-	-	-	-	-	-	-	-	-	-	-	-	-
22869	3150	926	12.5	967	14.2	-	-	-	-	-	-	-	-	-	-	-	-	-	-	-	-
23232	3200	940	13.0	980	14.8	-	-	-	-	-	-	-	-	-	-	-	-	-	-	-	-
23958	3300	966	14.1	-	-	-	-	-	-	-	-	-	-	-	-	-	-	-	-	-	-

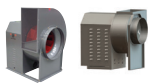
Performance certified is for installation type B - free inlet, ducted outlet. Performance ratings do not include the effects of appurtenances (accessories). Power rating (BHP) does not include transmission losses.



JencoFan, Div. of Soler & Palau Ventilation Group certifies that the Models CM shown herein are licensed to bear the AMCA Seal (except CM10). The ratings shown are based on test and procedures performed in accordance with AMCA Publication 211 and AMCA Publication 311 and comply with the requirement of the AMCA Certified Ratings Program.



UL STANDARD 705
 UL STANDARD 762
 UL STANDARD 793
 Optional - Must be specified



SOUND CHARACTERISTICS

CM 10

RPM	Sound Performance Sones / LwA (Inches w.g.)						
	0.5	1	1.5	2	2.5	3	3.5
1325	4.4 / 60.1	-	-	-	-	-	-
1500	5.7 / 64.2	-	-	-	-	-	-
1700	7.5 / 68.6	6.6 / 65.9	-	-	-	-	-
1875	9.5 / 72.1	8.2 / 69.5	-	-	-	-	-
2050	11.7 / 75.4	9.9 / 72.6	9.3 / 70.9	-	-	-	-
2250	14.4 / 78.7	12.2 / 76.0	11.4 / 74.6	11.1 / 73.2	-	-	-
2450	17.0 / 81.5	14.5 / 78.9	13.5 / 77.5	13.1 / 76.6	-	-	-
2625	19.1 / 83.5	17.1 / 81.5	15.7 / 80.0	15.0 / 79.1	14.6 / 78.1	-	-
2825	21 / 85.2	19.6 / 84.0	17.9 / 82.3	17.1 / 81.3	16.6 / 80.6	16.3 / 79.7	-
3000	23 / 86.7	22 / 85.9	19.8 / 84.1	19.0 / 83.2	18.4 / 82.5	18.1 / 81.8	18.1 / 81.2

CM 12

RPM	Sound Performance Sones / LwA (Inches w.g.)									
	0.5	1	1.5	2	2.5	3	3.5	4	4.5	5
1025	4.7 / 60.7	-	-	-	-	-	-	-	-	-
1225	7.1 / 67.4	-	-	-	-	-	-	-	-	-
1450	10.2 / 73.3	8.8 / 70.4	-	-	-	-	-	-	-	-
1650	13.7 / 77.9	11.5 / 75.1	10.7 / 73.3	-	-	-	-	-	-	-
1850	17.6 / 81.9	14.8 / 79.2	13.7 / 77.5	13.1 / 76.3	-	-	-	-	-	-
2050	21 / 84.9	18.6 / 82.8	17.2 / 81.3	16.3 / 80.1	15.9 / 79.2	-	-	-	-	-
2275	25 / 88.0	24 / 86.8	21 / 85	20 / 84	19.6 / 83.1	19.3 / 82.4	-	-	-	-
2475	30 / 90.5	28 / 89.9	26 / 88.1	24 / 87.1	23 / 86.3	23 / 85.5	23 / 85	-	-	-
2700	34 / 92.8	34 / 92.6	31 / 91.3	29 / 90.0	28 / 89.3	27 / 88.6	26 / 87.9	26 / 87.5	26 / 87.2	-
2900	38 / 94.5	38 / 94.3	36 / 93.6	33 / 92.3	32 / 91.4	31 / 90.9	30 / 90.3	29 / 89.7	29 / 89.3	29 / 89.1

CM 14

RPM	Sound Performance Sones / LwA (Inches w.g.)									
	0.5	1	1.5	2	2.5	3	3.5	4	4.5	5
900	4.8 / 60.6	-	-	-	-	-	-	-	-	-
1100	7.7 / 68.7	-	-	-	-	-	-	-	-	-
1300	10.8 / 74.4	9.4 / 71.7	-	-	-	-	-	-	-	-
1500	14.4 / 79.0	12.5 / 76.8	11.3 / 74.8	-	-	-	-	-	-	-
1700	18.4 / 82.9	16.5 / 81.2	15.0 / 79.7	13.9 / 78.2	-	-	-	-	-	-
1900	23 / 86.3	21 / 85.1	19.3 / 83.9	18.0 / 82.8	17.0 / 81.7	15.5 / 79.4	-	-	-	-
2100	27 / 89.4	25 / 88.4	24 / 87.5	23 / 86.7	22 / 85.9	21 / 85.2	19.4 / 83.9	-	-	-
2300	32 / 92.2	30 / 91.3	29 / 90.6	28 / 90.1	26 / 89.4	25 / 88.8	25 / 88.4	23 / 87.5	-	-
2500	37 / 94.2	35 / 93.5	33 / 92.9	32 / 92.4	31 / 91.8	30 / 91.2	29 / 90.7	28 / 90.3	27 / 89.7	26 / 88.7
2700	41 / 96.2	40 / 95.6	38 / 95.0	37 / 94.5	36 / 94.1	34 / 93.6	33 / 93.1	32 / 92.6	31 / 92.2	31 / 91.8

The A-weighted sound ratings shown have been calculated per AMCA standard 301. Values shown are for inlet Lwi(A) sound power levels for installation type B - free inlet, ducted outlet. Ratings do not include the effect of duct end corrections. The sound ratings shown are loudness values in fan sones at 1.5 m (5 ft) in a hemispherical free field calculated per AMCA International Standard 301. Values shown are for: Installation type B: free inlet hemispherical sone levels.



JencoFan, Div. of Soler & Palau Ventilation Group certifies that the Models CM shown herein are licensed to bear the AMCA Seal (except CM10). The ratings shown are based on test and procedures performed in accordance with AMCA Publication 211 and AMCA Publication 311 and comply with the requirement of the AMCA Certified Ratings Program.

CM 16

RPM	Sound Performance Sones / LwA (Inches w.g.)									
	0.5	1	1.5	2	2.5	3	3.5	4	4.5	5
800	5.0 / 61.1	-	-	-	-	-	-	-	-	-
1000	8.6 / 70.3	-	-	-	-	-	-	-	-	-
1150	11.6 / 75.3	9.4 / 71.6	-	-	-	-	-	-	-	-
1300	15.2 / 79.7	12.4 / 76.4	10.7 / 73.7	-	-	-	-	-	-	-
1450	19.3 / 83.5	16.1 / 80.7	14.2 / 78.5	12.4 / 75.9	-	-	-	-	-	-
1625	24 / 87.0	21 / 85.0	18.6 / 83.0	17.1 / 81.5	15.3 / 79.3	-	-	-	-	-
1800	29 / 90.1	27 / 88.9	24 / 87.1	22 / 85.5	20 / 84.4	18.5 / 82.6	-	-	-	-
1950	34 / 92.6	32 / 92.0	29 / 90.1	26 / 88.8	25 / 87.6	23 / 86.7	21 / 85.1	20.0 / 83.4	-	-
2150	39 / 95.1	39 / 94.8	35 / 93.5	32 / 92.2	30 / 91.1	28 / 90.1	27 / 89.4	26 / 88.4	24 / 86.8	23 / 85.5
2300	44 / 96.7	43 / 96.5	40 / 95.7	37 / 94.4	35 / 93.4	33 / 92.4	31 / 91.6	30 / 91.0	29 / 90.2	27 / 88.8

CM 18

RPM	Sound Performance Sones / LwA (Inches w.g.)									
	0.5	1	1.5	2	2.5	3	3.5	4	4.5	5
700	4.8 / 60.4	-	-	-	-	-	-	-	-	-
875	8.4 / 69.5	-	-	-	-	-	-	-	-	-
1025	12.3 / 75.4	9.5 / 71.5	-	-	-	-	-	-	-	-
1175	17.0 / 80.3	13.9 / 77.4	11.3 / 74.2	-	-	-	-	-	-	-
1350	23 / 85.2	19.9 / 83.2	16.9 / 80.7	14.6 / 78	14.4 / 76.9	-	-	-	-	-
1500	27 / 88.0	24 / 86.6	22 / 84.7	19.0 / 82.7	16.9 / 80.5	16.5 / 79.3	-	-	-	-
1650	31 / 90.4	29 / 89.6	26 / 88.1	24 / 86.5	21 / 84.8	19.4 / 83	18.4 / 81.4	-	-	-
1825	35 / 93.1	34 / 92.6	32 / 91.5	29 / 90.3	27 / 89.0	25 / 87.6	23 / 86.1	21 / 84.6	22 / 84.3	-
2000	42 / 95.8	40 / 95.4	39 / 94.7	36 / 93.7	34 / 92.7	32 / 91.6	30 / 90.5	28 / 89.2	26 / 88.0	25 / 86.7
2150	48 / 98.0	47 / 97.7	46 / 97.3	43 / 96.5	41 / 95.6	38 / 94.7	36 / 93.7	34 / 92.7	32 / 91.6	30 / 90.5

CM 20

RPM	Sound Performance Sones / LwA (Inches w.g.)									
	0.5	1	1.5	2	2.5	3	3.5	4	4.5	5
650	5.6 / 62.7	-	-	-	-	-	-	-	-	-
775	8.4 / 69.7	-	-	-	-	-	-	-	-	-
900	12.0 / 75.3	9.3 / 71.1	-	-	-	-	-	-	-	-
1050	17.3 / 81	13.9 / 77.7	12.2 / 74.8	-	-	-	-	-	-	-
1175	22 / 85.0	18.4 / 82.1	16.5 / 80.2	14.9 / 77.8	-	-	-	-	-	-
1300	27 / 88.4	24 / 86.3	21 / 84.4	19.7 / 82.9	18.0 / 81	-	-	-	-	-
1450	33 / 91.5	31 / 90.2	27 / 88.3	25 / 87	24 / 85.9	22 / 84.6	20 / 82.6	-	-	-
1550	37 / 93.2	34 / 92.2	31 / 90.6	28 / 89.2	27 / 88.1	25 / 87.1	24 / 85.7	22 / 84.1	-	-
1700	42 / 95.6	40 / 94.8	37 / 93.6	34 / 92.3	32 / 91.3	30 / 90.4	29 / 89.4	28 / 88.5	26 / 86.9	-
1825	47 / 97.5	45 / 96.9	43 / 96.0	39 / 94.9	36 / 93.7	35 / 92.9	33 / 92.2	32 / 91.3	31 / 90.5	29 / 89.3

The A-weighted sound ratings shown have been calculated per AMCA standard 301. Values shown are for inlet Lw(A) sound power levels for installation type B - free inlet, ducted outlet. Ratings do not include the effect of duct end corrections. The sound ratings shown are loudness values in fan sones at 1.5 m (5 ft) in a hemispherical free field calculated per AMCA International Standard 301. Values shown are for: Installation type B: free inlet hemispherical sone levels.



JencoFan, Div. of Soler & Palau Ventilation Group certifies that the Models CM shown herein are licensed to bear the AMCA Seal (except CM10). The ratings shown are based on test and procedures performed in accordance with AMCA Publication 211 and AMCA Publication 311 and comply with the requirement of the AMCA Certified Ratings Program.

CM 22

RPM	Sound Performance Sones / LwA (Inches w.g.)									
	0.5	1	1.5	2	2.5	3	3.5	4	4.5	5
575	5.7 / 62.7	-	-	-	-	-	-	-	-	-
700	9.0 / 70.3	-	-	-	-	-	-	-	-	-
825	13.1 / 76.4	10.6 / 72.9	-	-	-	-	-	-	-	-
950	18.1 / 81.5	14.9 / 78.4	13.4 / 76.1	-	-	-	-	-	-	-
1075	23 / 85.7	19.9 / 83.2	17.8 / 81.1	16.5 / 79.3	-	-	-	-	-	-
1225	30 / 89.7	27 / 88.2	24 / 86.4	22 / 84.9	21 / 83.3	19.8 / 82.1	-	-	-	-
1350	35 / 92.6	34 / 91.7	31 / 90.2	28 / 88.9	26 / 87.6	25 / 86.2	24 / 85.0	-	-	-
1475	40 / 94.8	39 / 94.4	36 / 93.2	34 / 91.9	32 / 90.9	30 / 89.8	28 / 88.7	27 / 87.7	26 / 86.9	-
1600	46 / 96.9	45 / 96.7	42 / 95.8	40 / 94.7	37 / 93.7	35 / 92.8	33 / 91.9	32 / 91.0	31 / 90.2	30 / 89.4
1725	51 / 98.9	50 / 98.7	49 / 98.2	46 / 97.3	43 / 96.4	41 / 95.6	39 / 94.8	37 / 94.0	36 / 93.3	35 / 92.6

CM 24

RPM	Sound Performance Sones / LwA (Inches w.g.)									
	0.5	1	1.5	2	2.5	3	3.5	4	4.5	5
500	5.2 / 61.9	-	-	-	-	-	-	-	-	-
625	9.5 / 71.7	-	-	-	-	-	-	-	-	-
725	13.4 / 77.1	10.2 / 72.8	-	-	-	-	-	-	-	-
825	17.6 / 81.4	14.3 / 78.4	12.1 / 75.2	-	-	-	-	-	-	-
950	23 / 85.9	20.0 / 84.0	17.4 / 81.4	15.5 / 79.2	-	-	-	-	-	-
1050	28 / 88.9	25 / 87.5	22 / 85.7	19.9 / 83.6	18.4 / 81.9	16.4 / 79.1	-	-	-	-
1175	34 / 92.1	32 / 91.4	29 / 90.1	26 / 88.5	24 / 86.8	23 / 85.5	20 / 83.2	-	-	-
1275	39 / 94.4	39 / 94.1	35 / 92.9	32 / 91.8	30 / 90.3	28 / 89.0	26 / 87.9	24 / 86.0	-	-
1400	45 / 96.8	45 / 96.5	42 / 95.8	39 / 94.9	36 / 93.9	34 / 92.7	32 / 91.5	30 / 90.6	29 / 89.7	26 / 87.6
1500	50 / 98.6	50 / 98.3	48 / 97.9	45 / 97.1	42 / 96.4	40 / 95.4	37 / 94.4	35 / 93.3	34 / 92.5	33 / 91.7

CM 27

RPM	Sound Performance Sones / LwA (Inches w.g.)									
	0.5	1	1.5	2	2.5	3	3.5	4	4.5	5
450	5.6 / 62.1	-	-	-	-	-	-	-	-	-
550	9.4 / 71.0	-	-	-	-	-	-	-	-	-
650	14.0 / 77.5	10.8 / 73.1	-	-	-	-	-	-	-	-
750	18.9 / 82.5	15.6 / 79.4	12.9 / 75.9	-	-	-	-	-	-	-
825	22 / 85.4	19.4 / 83.2	16.7 / 80.5	14.4 / 77.5	-	-	-	-	-	-
925	27 / 88.7	25 / 87.4	22 / 85.5	19.6 / 83.2	17.5 / 80.8	-	-	-	-	-
1025	32 / 91.6	31 / 91.0	28 / 89.5	25 / 87.9	23 / 86.0	21 / 83.9	19.8 / 82.5	-	-	-
1100	36 / 93.6	36 / 93.3	33 / 92.1	30 / 90.8	28 / 89.3	25 / 87.6	23 / 85.8	22 / 84.5	-	-
1200	42 / 96.1	42 / 95.8	40 / 95.2	37 / 94.2	34 / 93.1	32 / 91.8	29 / 90.3	27 / 88.7	26 / 87.5	-
1300	48 / 98.2	47 / 98.0	47 / 97.7	44 / 96.9	41 / 96.0	39 / 95.0	36 / 93.9	34 / 92.7	31 / 91.3	30 / 90.1

The A-weighted sound ratings shown have been calculated per AMCA standard 301. Values shown are for inlet Lwi(A) sound power levels for installation type B - free inlet, ducted outlet. Ratings do not include the effect of duct end corrections. The sound ratings shown are loudness values in fan sones at 1.5 m (5 ft) in a hemispherical free field calculated per AMCA International Standard 301. Values shown are for: Installation type B: free inlet hemispherical sone levels.



JencoFan, Div. of Soler & Palau Ventilation Group certifies that the Models CM shown herein are licensed to bear the AMCA Seal (except CM10). The ratings shown are based on test and procedures performed in accordance with AMCA Publication 211 and AMCA Publication 311 and comply with the requirement of the AMCA Certified Ratings Program.



CM 30

RPM	Sound Performance Sones / LwA (Inches w.g.)									
	0.5	1	1.5	2	2.5	3	3.5	4	4.5	5
400	5.6 / 62.2	-	-	-	-	-	-	-	-	-
475	8.8 / 69.9	-	-	-	-	-	-	-	-	-
550	12.7 / 75.7	9.5 / 70.8	-	-	-	-	-	-	-	-
625	16.8 / 80.4	13.3 / 76.5	11.1 / 73.1	-	-	-	-	-	-	-
700	21 / 84.2	17.6 / 81.3	14.9 / 78.3	13.5 / 76	-	-	-	-	-	-
775	26 / 87.5	22 / 85.3	19.4 / 82.8	17.2 / 80.5	16.3 / 78.9	-	-	-	-	-
875	32 / 91.2	29 / 89.8	26 / 87.9	23 / 86.0	21 / 84.1	20 / 82.8	-	-	-	-
950	38 / 93.7	35 / 92.7	32 / 91.1	29 / 89.5	26 / 87.8	24 / 86.3	23 / 85.2	-	-	-
1025	43 / 96.0	41 / 95.1	38 / 93.9	34 / 92.6	32 / 91.1	29 / 89.7	28 / 88.4	27 / 87.4	27 / 87.4	-
1100	49 / 97.9	46 / 97.1	44 / 96.2	40 / 95.1	37 / 93.9	35 / 92.7	32 / 91.4	31 / 90.3	29 / 89.3	29 / 89.0

CM 36

RPM	Sound Performance Sones / LwA (Inches w.g.)									
	0.5	1	1.5	2	2.5	3	3.5	4	4.5	5
350	5.6 / 61.6	-	-	-	-	-	-	-	-	-
425	9.1 / 69.9	-	-	-	-	-	-	-	-	-
500	13.7 / 76.6	10.4 / 72.0	-	-	-	-	-	-	-	-
575	19.8 / 82.1	16.0 / 78.3	13.1 / 75.0	-	-	-	-	-	-	-
650	26 / 86.4	22 / 83.4	19.3 / 81.1	16.8 / 78.3	-	-	-	-	-	-
725	32 / 89.8	28 / 87.7	25 / 85.5	22 / 83.5	20.0 / 81.3	-	-	-	-	-
800	37 / 92.6	34 / 91.2	30 / 89.1	28 / 87.6	25 / 85.9	23 / 84.0	23 / 83.1	-	-	-
875	43 / 95.2	40 / 94.2	37 / 92.5	33 / 90.9	31 / 89.7	29 / 88.2	26 / 86.6	26 / 85.4	-	-
950	49 / 97.6	47 / 96.7	44 / 95.6	40 / 94.1	37 / 93.0	35 / 91.9	33 / 90.7	30 / 89.3	30 / 88.2	30 / 87.7
1025	56 / 99.9	54 / 99.2	51 / 98.4	48 / 97.2	44 / 96.0	42 / 95.1	40 / 94.2	37 / 93.1	35 / 91.9	34 / 90.9

The A-weighted sound ratings shown have been calculated per AMCA standard 301. Values shown are for inlet Lwi(A) sound power levels for installation type B - free inlet, ducted outlet. Ratings do not include the effect of duct end corrections. The sound ratings shown are loudness values in fan sones at 1.5 m (5 ft) in a hemispherical free field calculated per AMCA International Standard 301. Values shown are for: Installation type B: free inlet hemispherical sone levels.

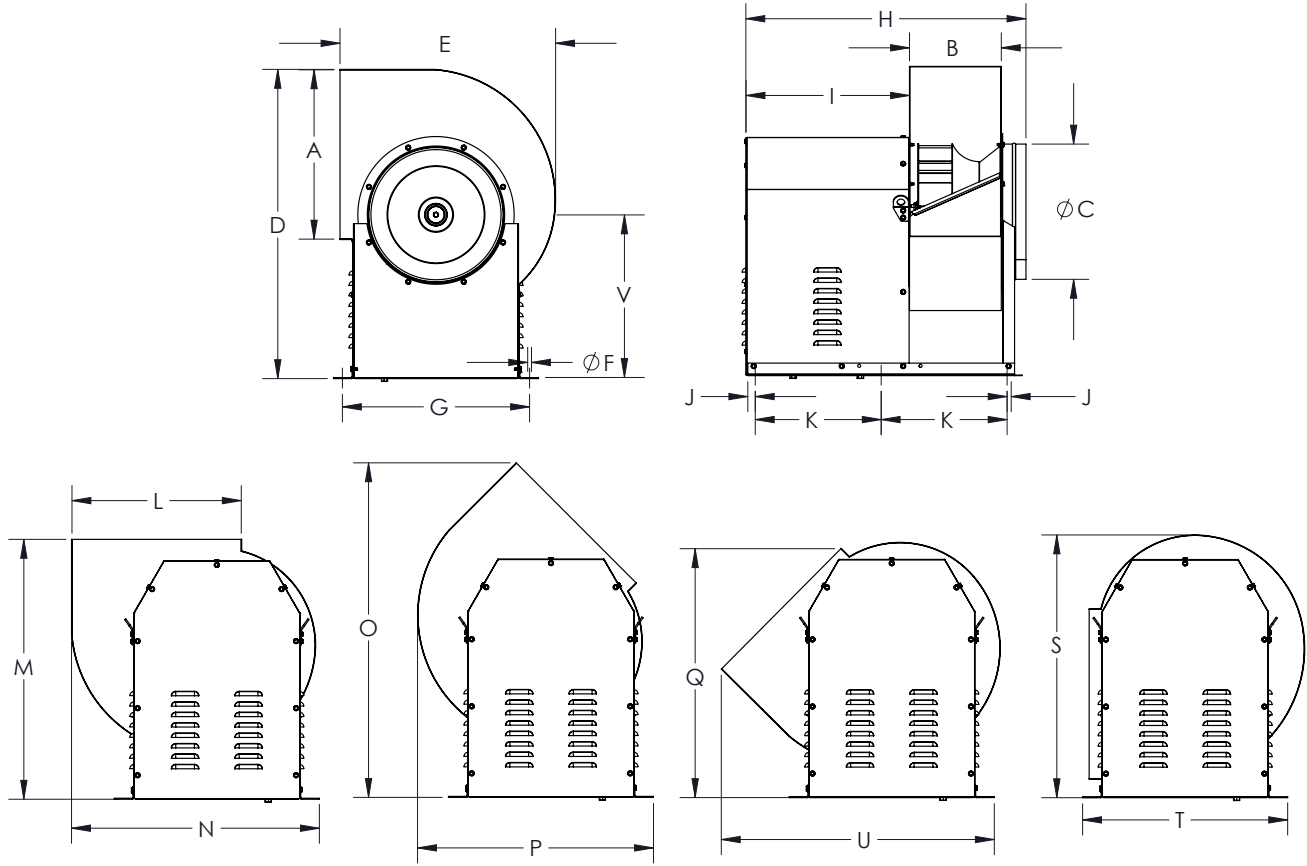


JencoFan, Div. of Soler & Palau Ventilation Group certifies that the Models CM shown herein are licensed to bear the AMCA Seal (except CM10). The ratings shown are based on test and procedures performed in accordance with AMCA Publication 211 and AMCA Publication 311 and comply with the requirement of the AMCA Certified Ratings Program.



Dimensional Data

MODEL CM



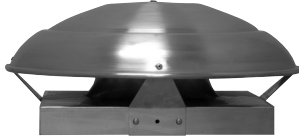
Model	A	B	C	D	E	F	G	H	I	J	K
10	12 5/8	7 1/16	9 13/16	23 7/8	17 3/16	1/2	16 7/8	25 3/8	15 1/2	1	10 13/16
12	15 7/8	8 3/4	12 3/8	29 3/16	21 3/8	1/2	19 5/8	28 11/16	17 1/16	1	12 1/2
14	17 7/8	9 3/4	14	32 3/4	22 3/4	1/2	19 5/8	30 3/4	17 13/16	1	13 5/16
16	19 15/16	10 13/16	15 3/4	36 3/4	25 1/4	1/2	21 7/8	31 9/16	17 15/16	1	13 7/8
18	22 3/8	12 1/8	17 11/16	40 7/8	28 7/16	1/2	24 3/4	36 15/16	21 9/16	1	16 5/8
20	25 1/8	13 9/16	19 11/16	44 7/8	31 5/16	1/2	27 7/16	38 7/16	21 9/16	1	17 7/16
22	28 1/8	15 3/16	22 1/16	49 3/8	34 15/16	1/2	29 7/8	40 1/8	21 5/8	1	18 1/4
24	31 1/2	17 1/16	24 13/16	57 1/8	39 1/8	1/2	33 1/4	41 15/16	21 5/8	1	19 1/8
27	35 3/8	18 7/8	27 15/16	59	44	1/2	35 1/8	50 1/8	27 1/8	2	19 13/16
30	39 5/8	21	31 1/2	64	49 1/4	1/2	39 7/16	53 13/16	28 11/16	2	23 5/8
36	44 1/2	23 7/16	35 7/16	71 7/8	55 1/4	1/2	44 5/8	54 15/16	27 5/16	2	24 3/16

Model	L	M	N	O	P	Q	S	T	U	V
10	12-3/4	21-5/8	20	25-7/8	19-3/8	21-5/8	20-3/8	18-7/8	22-7/8	13-1/4
12	16	26	24-1/4	32-1/2	23-1/8	24-3/4	24-7/8	21-7/8	27-1/2	15-3/4
14	18	28	25-7/8	35-5/8	24-5/8	27	28-1/4	23-1/4	29-3/8	17-11/16
16	20	31-1/8	29-1/4	39-7/8	27-5/8	29-7/8	31-3/8	26	32-1/4	19-11/16
18	22-1/2	34-3/8	32-3/4	44-1/8	38-1/4	33-3/4	34-3/4	29-1/4	36-7/8	21-5/8
20	25-1/4	37-1/2	36-1/8	48-3/8	34-1/4	37-1/8	38-1/8	32-3/8	40-1/2	23-5/8
22	28-1/4	41	40-1/8	53-1/4	37-3/4	40-3/4	42	35-3/4	45-3/8	25-9/16
24	31-5/8	45-7/8	44-5/8	59-3/4	42-1/8	45-1/2	47	39-7/8	50-3/4	30-1/4
27	35-1/2	55-5/8	50-5/8	71-1/2	46-1/8	54-7/8	57-1/4	44	57-1/2	28-3/4
30	39-3/4	62-3/8	57-1/8	80-1/8	51-1/4	62-1/2	63-1/4	49-1/4	61-1/4	30
36	44-3/4	70-1/2	64-3/8	89-3/4	57-1/2	70-5/8	70-5/8	55-1/4	72-3/8	33-1/2

GRAVITY VENTILATORS SIZING



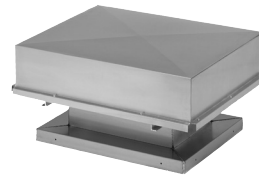
RCXII (sizes 6-20)



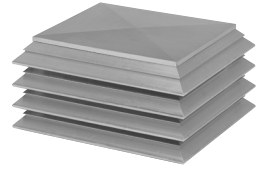
RCXII (sizes 24-36)



RCXII-SF



BGH



RLX

Sizing

The tables shown offer quick selections at common static pressure points. Selection choices vary widely due to field conditions and size choices. The following formulas are useful in making selections:

$$(A) \text{ Throat Area} = \frac{\text{CFM}}{\text{Velocity}}$$

$$(B) \text{ Throat Velocity} = \frac{\text{CFM}}{\text{Throat Area}}$$

$$(C) \text{ Velocity Pressure} = \left[\frac{\text{Throat Velocity}}{4005} \right]^2$$

(D) Determine new static pressure when CFM is known:

$$SP_2 = SP_1 \times \left[\frac{\text{CFM}_2}{\text{CFM}_1} \right]^2$$

CFM₂ = Specified airflow

CFM₁ = Known CFM from table selection

SP₂ = Static pressure to be determined

SP₁ = Static pressure in table corresponding to CFM

(Ex.) Determine new unknown CFM when static pressure is known:

$$\text{CFM}_2 = \text{CFM}_1 \times \left[\sqrt{\frac{SP_2}{SP_1}} \right]$$

CFM₂ = Unknown

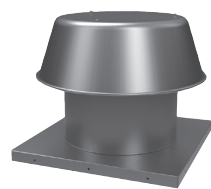
CFM₁ = Catalog CFM

SP₂ = New static pressure where CFM is unknown

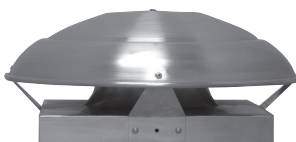
SP₁ = Known static pressure from known CFM (CFM₁)

MODELS RCXII/RCXII-SF

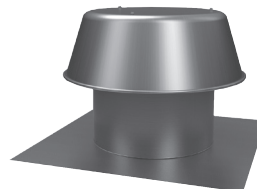
RELIEF/INTAKE GRAVITY VENTILATORS



RCXII (sizes 6-20)



RCXII (sizes 24-36)



RCXII-SF

MODEL FEATURES

- Exhaust or Supply air up to 10,400 CFM in static pressure applications up to .35" w.g.
- All heavy-gauge aluminum construction
- Integral galvanized birdscreen
- Curb mounted or Self-flashing models

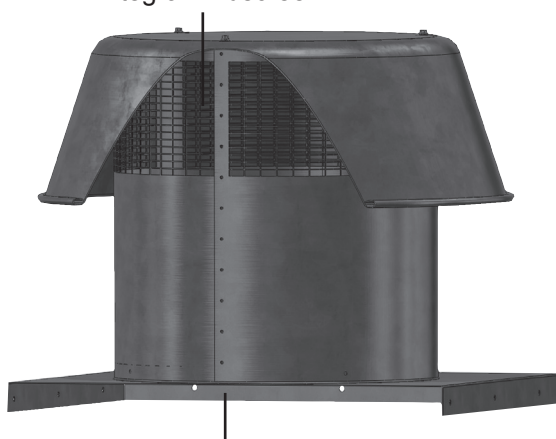
MODEL OVERVIEW

Model RCXII and RCXII-SF relief or intake ventilators feature low contour spun aluminum hoods for an attractive appearance. They are designed to exhaust or supply air from or to an enclosed area without the need for a power operated fan. Available in two styles, these fans range in sizes from 6-36. The RCXII (curb) has a curb cap found on most roof ventilators and must be mounted on a roof curb (sold separately). Model RCXII-SF (self-flashing) has an extra wide, flat base that installed under roof shingles and does not require a roof curb. Both styles come standard with a galvanized bird screen

Model RCXII and RCXII-SF rely on a difference in static pressure inside and outside the area to create an airflow through the ventilator from the area of higher pressure to the area of lower pressure. If the enclosed area is under a negative pressure, air will flow into the enclosed area (intake). If the enclosed area has a positive pressure, air will flow from it to the outside (relief).

These units can also operate as gravity ventilators, allowing air to flow from an enclosed area using the "Stack Effect." The amount of air flow will depend on the temperature difference inside and outside the area and the height difference between the ventilator and the outside air intake to the area.

Integral Birdscreen



Available in Curb Mount or Self-Flashing versions

Models RCXII and RCXII-SF are available in our Quickship program. Sizes 6-36 are available for next day or 10-day shipping from stock.

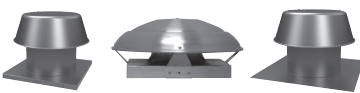


Industry best 5 year fan housing warranty

All specifications are subject to change without notice unless approved in submittal by JencoFan.

GC_RCX_0111

January 2011

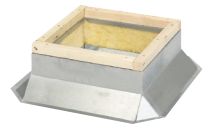


CONSTRUCTION/SPECIFICATION CHECKLIST

- Five year warranty.
- Low contour spun aluminum hood for attractive appearance.
- All heavy-gauge aluminum construction.
- Weather resistance design for long life and maintenance free operation.
- Galvanized birdscreen is standard.
- Available in 13 sizes for a wide range of performance capabilities.
- RCXII has one-piece curb cap with spun inlet for maximum efficiency.
- RCXII-SF is self flashing.
- Shipped completely assembled for ease in installation.

OPTIONS/ACCESSORIES

Roof Curb: Prefabricated heavy-gauge galvanized steel, welded construction, 12" high (other heights are also available) with 1-1/2" wood nailer. Assures perfect fit of to roof opening. Options include burglar bars, single or double pitch construction and hinged curbs for easy duct access.



Motor Operated Damper: Motor operated aluminum damper for positive closure against backdraft.



Automatic Damper: Automatic aluminum damper for ease in installation and effective backdraft protection.

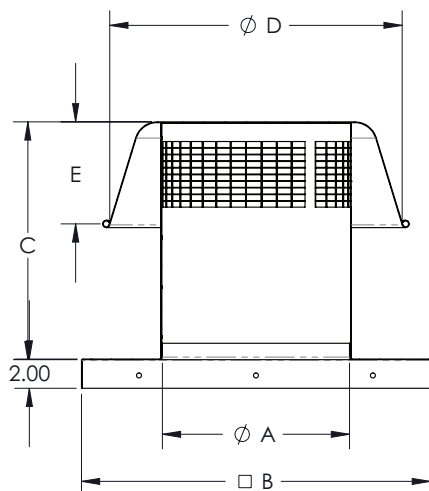
Special Coatings: for protective and decorative purposes. Available coatings include: Synthetic Resin, Epoxy, and Heresite (air-dried phenolic). Contact your representative or the factory for more information on available coatings and colors.

Insect/Weather Screen: Helps prevent insects, snow, airborne mist or water droplets from entering on supply applications exceeding 650 FPM velocity.



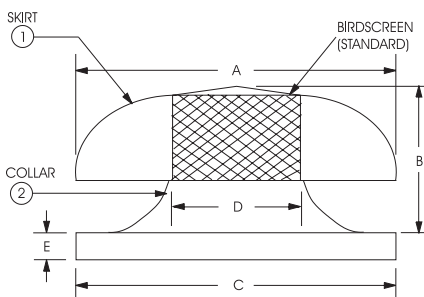
DIMENSIONS

RCXII (sizes 6-20)



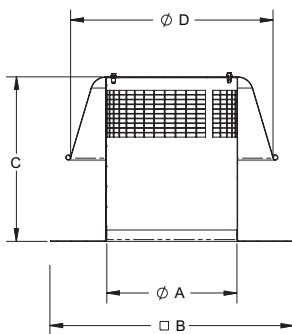
Size	A	B	C	D	E
06	7	16.5	10	14	5.75
08	9	16.5	12	14	5.75
10	11	24	14	20	6.75
12	13	24	16	20	6.75
14	15	24	18	27	8.75
16	17	24	20	27	8.75
18	19	29.5	22	27	8.75
20	21	29.5	22	30	10.25

RCXII (sizes 24-36)

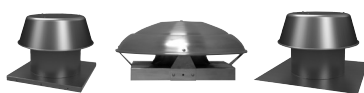


Size	Neck Area sq. ft.	Dimensions (Inches)					Metal Ga.	
		A	B	C	D	E	1	2
24	3.30	43-3/4	12-1/2	35-1/2	24-5/8	2	0.063	0.063
26	3.69	43-3/4	17-3/8	35-1/2	26	2	0.063	0.063
30	5.16	43-3/4	17-3/8	42-1/2	30-3/4	2	0.063	0.080
33	5.94	54-3/4	17-3/8	42-1/2	33	2	0.100	0.080
36	7.06	54-3/4	17-3/8	42-1/2	36	2	0.100	0.080

RCXII-SF



Size	A	B	C	D
06	7	18	10	14
08	9	18	12	14
10	11	24	14	20
12	13	24	16	20
14	15	28	18	27
16	17	28	20	27
18	19	28	22	27
20	21	32	22	30



PERFORMANCE DATA

Models RCXII (sizes 6-20) and Models RCXII-SF

Relief	Throat Area Ft ²	.025	.050	.100	.125	.150	.200	.250	.300	.350	BDD O.D Sq. (RCXII)	Prefab Curb Recom. O.D (RCXII)
6	0.3	93	131	185	207	227	262	293	320	346	8	14-3/4
8	0.4	221	313	442	494	541	625	699	766	827	8	14-3/4
10	0.7	297	420	594	664	727	840	939	1029	1111	12	22-1/4
12	0.9	493	697	986	1102	1208	1394	1559	1708	1845	12	22-1/4
14	1.2	604	853	1207	1349	1478	1707	1908	2091	2258	12	22-1/4
16	1.6	746	1055	1492	1668	1827	2110	2359	2584	2791	12	22-1/4
18	2.0	919	1300	1838	2055	2251	2599	2906	3184	3439	20	27-3/4
20	2.4	1127	1593	2253	2519	2759	3186	3562	3902	4215	20	27-3/4

Intake	Throat Area Ft ²	.025	.050	.100	.125	.150	.200	.250	.300	.350	BDD O.D Sq. (RCXCII)	Prefab Curb Recom. O.D (RCXII)
6	0.3	64	91	128	143	157	181	202	222	239	8	14-3/4
8	0.4	148	209	296	331	363	419	468	513	554	8	14-3/4
10	0.7	202	286	404	452	495	571	639	700	756	12	22-1/4
12	0.9	330.5	467	661	739	810	935	1045	1145	1237	12	22-1/4
14	1.2	440.5	623	881	985	1079	1246	1393	1526	1648	12	22-1/4
16	1.6	552	781	1104	1234	1352	1561	1746	1912	2065	12	22-1/4
18	2.0	707.5	1001	1415	1582	1733	2001	2237	2451	2647	20	27-3/4
20	2.4	856	1211	1712	1914	2097	2421	2707	2965	3203	20	27-3/4

Insect Screens - Add .10 to area shown in table.

Damper - Add .10 to area shown in table.

Refer to page 420 for formulas for help in sizing.

Model RCXII (sizes 24-36)

Relief	Throat Area Ft ²	.030	.060	.090	.125	.150	.200	.250	.300	BDD O.D Sq. (RCXII)	Prefab Curb Recom. O.D (RCXII)
24	3.30	1535	2168	2656	3128	3429	3960	4425	4851	26	33-3/4
26	3.69	1716	2424	2970	3498	3834	4428	4948	5424	26	33-3/4
30	5.16	2399	3390	4154	4892	5361	6192	6920	7585	32	40-3/4
33	5.94	2762	3903	4782	5631	6172	7128	7966	8732	32	40-3/4
36	7.06	3283	4638	5683	6693	7335	8472	9467	10378	32	40-3/4

Intake	Throat Area Ft ²	.030	.060	.090	.125	.150	.200	.250	.300	BDD O.D Sq. (RCXII)	Prefab Curb Recom. O.D (RCXII)
24	3.30	1376	1944	2383	2808	3076	3551	3969	4346	26	33-3/4
26	3.69	1539	2173	2664	3140	3439	3970	4439	4860	26	33-3/4
30	5.16	2152	3039	3726	4391	4809	5552	6207	6796	32	40-3/4
33	5.94	2476	3499	4289	5055	5536	6391	7146	7823	32	40-3/4
36	7.06	2944	4158	5097	6008	6580	7597	8493	9298	32	40-3/4

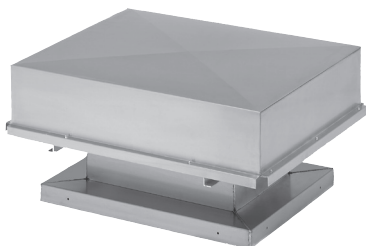
Bold selections are over recommended 650 FPM. Pick next larger size or use optional weather screen.

Insect Screens - Add .10 to area shown in table.

Damper - Add .10 to area shown in table.

MODEL BGH

FABRICATED GRAVITY RELIEF/INTAKE VENTILATOR



MODEL FEATURES

- Exhaust or Supply air up to 90,000 CFM in static pressure applications up to .25" w.g.
- Constructed of .050" aluminum
- Assembled with standing seams and snap-lock seams that are secured with spot welds
- Modern, low silhouette design that blends roof lines and other equipment

MODEL OVERVIEW

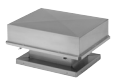
Model BGH gravity ventilator offers a modern low silhouette design that blends with roof lines and other equipment. Designed for maximum airflow passage and weathertight integrity, Model BGH comes in either intake or relief models in aluminum or galvanized finishes. An extensive range of sizes are offered with many standard and optional features. Exhaust models have a 1:1 ratio of hood perimeter opening to throat area and supply models incorporate a 2:1 ratio.

To meet other size or ventilation capacity requirements, in addition to those listed in the following tables, custom sized units are available upon request. Consult your representative or factory for specific details and performance capabilities.

CONSTRUCTION/SPECIFICATION CHECKLIST

- Generously sized throat and hood perimeter openings for low resistance and more efficient airflow.
- Hood is constructed of .050" aluminum and assembled with standing seams and snap lock seams that are secured with spot welds. No screws or rivets to break or work loose.
- Hood is reinforced and braced for extra rigidity and resistance to wind damage. Utilizes channels and structural angles throughout.
- All hoods are fabricated with 1/2" x 1/2" mesh galvanized welded screen as standard equipment. Screens are attached to full hood perimeter opening with stainless steel or zinc plated fasteners. Screens are omitted when hoods are equipped with filters.
- Full 360° perimeter hood opening for total wind action from any direction for more reliable airflow performance.
- Curb base constructed of .080" aluminum. All corners are miter cut. All seams and corners are continuous welded for strength and water tightness.
- Hoods have a special deflector flange on edge of perimeter opening for added protection against rain and snow. Wide overhang for storm protection.

Industry best 5 year fan housing warranty



OPTIONS/ACCESSORIES

Aluminum Birdscreens: Consists of .060" thick 1/2" x 1" diamond shape expanded aluminum. Attached to the full perimeter opening of the hood with stainless or zinc plated fasteners.

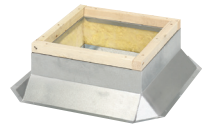
Hinged Hood: For easy access to backdraft dampers and to service filters and screens.

Insulated Hood: To reduce condensation drip. Offered in rubberized anti-condensate undercoating or as 1" thick fiberglass insulation.

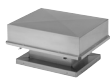
Filters: Offered as 1" or 2" thick permanent type aluminum mesh mounted for easy cleaning and attached to full perimeter opening of the hood. Birdscreens are omitted when equipped with filters. *Note:* Add .17" to the area listed in the tables when using filters on AIR INTAKE ventilators.

Insect Screen: Consists of 18 mesh aluminum screen. Attached to the full perimeter opening of the hood. *Note:* When using insect screens on EXHAUST ventilators add .10" to the area listed in the tables. For INTAKE ventilators add .05" to the listed area.

Roof Curb: Prefabricated heavy-gauge galvanized steel, welded construction, 12" high (other heights are also available) with 1-1/2" wood nailer. Assures perfect fit of to roof opening. Options include burglar bars, single or double pitch construction and hinged curbs for easy duct access.

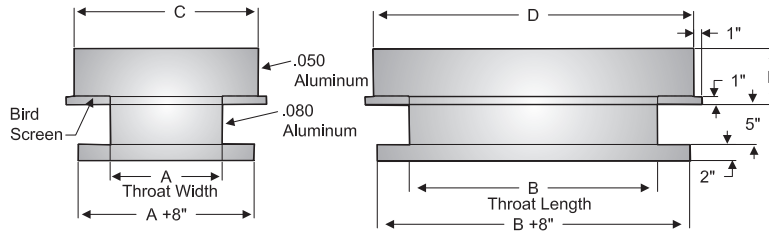


Special Coatings: for protective and decorative purposes. Available coatings include: Synthetic Resin, Epoxy, and Heresite (air-dried phenolic). Contact your representative or the factory for more information on available coatings and colors.



PERFORMANCE/DIMENSIONS

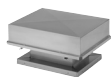
Gravity Relief 1:1 Ratio



Dimensional Data					Throat Velocity in FPM @ Static Pressure - Relief				
Throat Area	Throat Size	Hood Size			536	758	848	1073	1200
		A x B	C	D	E	CFM @ Static Pressure - Relief			
					.050	.100	.125	.200	.250
1.00	12 x 12	18	18	7	536	758	848	1073	1200
1.50	12 x 18	19	25	7	804	1137	1272	1610	1800
2.00	12 x 24	20	32	7	1072	1516	1696	2146	2400
2.50	12 x 30	20	38	7	1340	1895	2120	2683	3000
3.00	12 x 36	21	45	7	1608	2274	2544	3219	3600
3.50	12 x 42	22	52	7	1876	2653	2968	3756	4200
4.00	12 x 48	23	57	7	2144	3032	3392	4292	4800
1.36	14 x 14	20	20	7	730	1032	1154	1460	1633
1.75	14 x 18	22	22	7	938	1327	1484	1878	2100
2.33	14 x 24	23	33	7	1251	1769	1979	2504	2800
2.92	14 x 30	23	39	7	1563	2211	2473	3130	3500
3.50	14 x 36	23	45	7	1876	2653	2968	3756	4200
4.08	14 x 42	24	52	7	2189	3095	3463	4381	4900
4.67	14 x 48	24	58	7	2501	3537	3957	5007	5600
5.25	14 x 54	24	64	7	2814	3980	4452	5633	6300
1.78	16 x 16	23	23	7	953	1348	1508	1908	2133
2.22	16 x 20	24	28	7	1191	1684	1884	2384	2667
2.67	16 x 24	25	33	7	1429	2021	2261	2861	3200
3.33	16 x 30	26	40	7	1787	2527	2827	3577	4000
4.00	16 x 36	26	46	7	2144	3032	3392	4292	4800
4.67	16 x 42	26	52	7	2501	3537	3957	5007	5600
5.33	16 x 48	27	59	7	2859	4043	4523	5723	6400
6.00	16 x 54	27	65	7	3216	4548	5088	6438	7200
6.67	16 x 60	27	71	7	3573	5053	5653	7153	8000
7.33	16 x 66	28	78	7	3931	5559	6219	7869	8800
2.25	18 x 18	26	26	8	1206	1706	1908	2414	2700
3.00	18 x 24	27	33	8	1608	2274	2544	3219	3600
3.75	18 x 30	28	40	8	2010	2843	3180	4024	4500
4.50	18 x 36	29	47	8	2412	3411	3816	4829	5400
5.25	18 x 42	29	53	8	2814	3980	4452	5633	6300
6.00	18 x 48	30	60	8	3216	4548	5088	6438	7200
6.75	18 x 54	30	66	8	3618	5117	5724	7243	8100
7.50	18 x 60	30	72	8	4020	5685	6360	8048	9000
8.25	18 x 66	31	79	8	4422	6254	6996	8852	9900
9.00	18 x 72	31	85	8	4824	6822	7632	9657	10800
2.78	20 x 20	29	29	9	1489	2106	2356	2981	3333
3.33	20 x 24	31	33	9	1787	2527	2827	3577	4000
4.17	20 x 30	31	41	9	2233	3158	3533	4471	5000
5.00	20 x 36	31	47	9	2680	3790	4240	5365	6000
5.83	20 x 42	32	52	9	3127	4422	4947	6259	7000
6.67	20 x 48	33	61	9	3573	5053	5653	7153	8000

Hoods wider than 98" will ship knocked down.

Insect Screens - Add .10 to area shown in table. Damper - Add .10 to area shown in table. Filters - Add .17 to area shown in table.

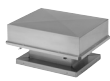


Gravity Relief 1:1 Ratio Cont.

Throat Area	Dimensional Data				Throat Velocity in FPM @ Static Pressure - Relief				
	Throat Size	Hood Size			536	758	848	1073	1200
		A x B	C	D	E	CFM @ Static Pressure - Relief			
					.050	.100	.125	.200	.250
7.50	20 x 54	33	67	9	4020	5685	6360	8048	9000
8.33	20 x 60	33	73	9	4467	6317	7067	8942	10000
9.17	20 x 66	34	80	9	4913	6948	7773	9836	11000
10.00	20 x 72	34	86	9	5360	7580	8480	10730	12000
10.83	20 x 78	34	92	9	5807	8212	9187	11624	13000
11.67	20 x 84	35	98	9	6253	8843	9893	12518	14000
4.00	24 x 24	34	34	11	2144	3032	3392	4292	4800
5.00	24 x 30	36	42	11	2680	3790	4240	5365	6000
6.00	24 x 36	37	49	11	3216	4548	5088	6438	7200
7.00	24 x 42	38	56	11	3752	5306	5936	7511	8400
8.00	24 x 48	38	62	11	4288	6064	6784	8584	9600
9.00	24 x 54	39	69	11	4824	6822	7632	9657	10800
10.00	24 x 60	39	75	11	5360	7580	8480	10730	12000
11.00	24 x 66	40	82	11	5896	8338	9328	11803	13200
12.00	24 x 72	40	88	11	6432	9096	10176	12876	14400
13.00	24 x 78	40	94	11	6968	9854	11024	13949	15600
14.00	24 x 84	40	100	11	7504	10612	11872	15022	16800
15.00	24 x 90	40	106	11	8040	11370	12720	16095	18000
6.25	30 x 30	43	43	13	3350	4738	5300	6706	7500
7.50	30 x 36	44	50	13	4020	5685	6360	8048	9000
8.75	30 x 42	45	57	13	4690	6633	7420	9389	10500
10.00	30 x 48	45	65	13	5360	7580	8480	10730	12000
11.25	30 x 54	45	74	13	6030	8528	9540	12071	13500
12.50	30 x 60	48	78	13	6700	9475	10600	13413	15000
13.75	30 x 66	48	84	13	7370	10423	11660	14754	16500
15.00	30 x 72	49	91	13	8040	11370	12720	16095	18000
16.25	30 x 78	49	97	13	8710	12318	13780	17436	19500
17.50	30 x 84	50	104	13	9380	13265	14840	18778	21000
18.75	30 x 90	50	111	13	10050	14213	15900	20119	22500
9.00	36 x 36	52	52	15	4824	6822	7632	9657	10800
10.50	36 x 42	53	59	15	5628	7959	8904	11267	12600
12.00	36 x 48	54	66	15	6432	9096	10176	12876	14400
13.50	36 x 54	55	73	15	7236	10233	11448	14486	16200
15.00	36 x 60	56	80	15	8040	11370	12720	16095	18000
16.50	36 x 66	56	86	15	8844	12507	13992	17705	19800
18.00	36 x 72	57	93	15	9648	13644	15264	19314	21600
19.50	36 x 78	58	99	15	10452	14781	16536	20924	23400
21.00	36 x 84	58	106	15	11256	15918	17808	22533	25200
22.50	36 x 90	58	112	15	12060	17055	19080	24143	27000
24.00	36 x 96	59	119	15	12864	18192	20352	25752	28800
25.50	36 x 102	59	124	15	13668	19329	21624	27362	30600
12.25	42 x 42	59	59	15	6566	9286	10388	13144	14700
15.75	42 x 54	62	74	15	8442	11939	13356	16900	18900
17.50	42 x 60	64	82	15	9380	13265	14840	18778	21000
19.25	42 x 66	65	89	15	10318	14592	16324	20655	23100
21.00	42 x 72	65	95	15	11256	15918	17808	22533	25200
22.75	42 x 78	65	101	15	12194	17245	19292	24411	27300
24.50	42 x 84	66	108	15	13132	18571	20776	26289	29400
26.25	42 x 90	66	114	15	14070	19898	22260	28166	31500
28.00	42 x 96	67	121	15	15008	21224	23744	30044	33600
29.75	42 x 102	68	128	15	15946	22551	25228	31922	35700
31.50	42 x 108	68	134	15	16884	23877	26712	33800	37800
16.00	48 x 48	68	68	17	8576	12128	13568	17168	19200
18.00	48 x 54	70	76	17	9648	13644	15264	19314	21600
20.00	48 x 60	71	83	17	10720	15160	16960	21460	24000
22.00	48 x 66	72	90	17	11792	16676	18656	23606	26400

Hoods wider than 98" will ship knocked down.

Insect Screens - Add .10 to area shown in table. Damper - Add .10 to area shown in table. Filters - Add .17 to area shown in table.

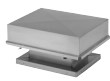


Gravity Relief 1:1 Ratio Cont.

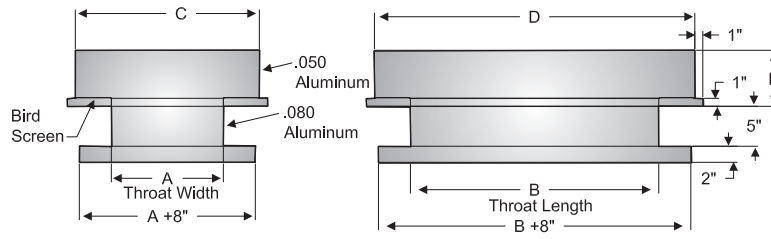
Throat Area	Dimensional Data				Throat Velocity in FPM @ Static Pressure - Relief				
	Throat Size	Hood Size			536	758	848	1073	1200
		A x B	C	D	E	CFM @ Static Pressure - Relief			
					.050	.100	.125	.200	.250
24.00	48 x 72	73	97	17	12864	18192	20352	25752	28800
26.00	48 x 78	74	103	17	13936	19708	22048	27898	31200
28.00	48 x 84	75	111	17	15008	21224	23744	30044	33600
30.00	48 x 90	75	117	17	16080	22740	25440	32190	36000
32.00	48 x 96	75	123	17	17152	24256	27136	34336	38400
34.00	48 x 102	75	129	17	18224	25772	28832	36582	40800
36.00	48 x 108	77	137	17	19296	27288	30528	38628	43200
38.00	48 x 114	77	146	17	20368	28804	32224	40774	45600
20.25	54 x 54	77	77	19	10854	15350	17172	21728	24300
22.50	54 x 60	79	85	19	12060	17055	19080	24143	27000
24.75	54 x 66	79	91	19	13266	18761	20988	26557	29700
27.00	54 x 72	80	98	19	14472	20466	22896	28971	32400
29.25	54 x 78	81	104	19	15678	22172	24804	31385	35100
31.50	54 x 84	82	112	19	16884	23877	26712	33800	37800
33.75	54 x 90	82	119	19	18090	25583	28620	36214	40500
36.00	54 x 96	83	125	19	19296	27288	30528	38628	43200
38.25	54 x 102	84	134	19	20502	28994	32436	41042	45900
40.50	54 x 108	85	139	19	21708	30699	34344	43457	48600
42.75	54 x 114	85	144	19	22914	32405	36252	45871	51300
25.00	60 x 60	86	86	21	13400	18950	21200	26825	30000
27.50	60 x 66	87	93	21	14740	20845	23320	29508	33000
30.00	60 x 72	88	100	21	16080	22740	25440	32190	36000
32.50	60 x 78	89	106	21	17420	24635	27560	34873	39000
35.00	60 x 84	90	114	21	18760	26530	29680	37555	42000
37.50	60 x 90	90	120	21	20100	28425	31800	40238	45000
40.00	60 x 96	91	127	21	21440	30320	33920	42920	48000
42.50	60 x 102	92	134	21	22780	32215	36040	45603	51000
45.00	60 x 108	93	141	21	24120	34110	38160	48285	54000
47.50	60 x 114	93	148	21	25460	36005	40280	50968	57000
50.00	60 x 120	94	154	21	26800	37900	42400	53650	60000
30.25	66 x 66	94	94	21	16214	22930	25652	32458	36300
33.00	66 x 72	94	94	21	17688	25014	27984	35409	39600
35.75	66 x 78	95	105	21	19162	27099	30316	38360	42900
38.50	66 x 84	97	115	21	20636	29183	32648	41311	46200
41.25	66 x 90	97	123	21	22110	31268	34980	44261	49500
44.00	66 x 96	97	131	21	23584	33352	37312	47212	52800
46.75	66 x 102	97	139	21	25058	35437	39644	50163	56100
49.50	66 x 108	97	147	21	26532	37521	41976	53114	59400
52.25	66 x 114	97	156	21	28006	39606	44308	56064	62700
55.00	66 x 120	96	165	21	29480	41690	46640	59015	66000
57.75	66 x 126	96	174	21	30954	43775	48972	61966	69300
60.50	66 x 132	96	182	21	32428	45859	51304	64917	72600
36.00	72 x 72	96	110	21	19296	27288	30528	38628	43200
39.00	72 x 78	96	118	21	20904	29562	33072	41847	46800
42.00	72 x 84	96	126	21	22512	31836	35616	45066	50400
45.00	72 x 90	96	134	21	24120	34110	38160	48285	54000
48.00	72 x 96	96	143	21	25728	36384	40704	51504	57600
51.00	72 x 102	96	153	21	27336	38658	43248	54723	61200
54.00	72 x 108	96	163	21	28944	40932	45792	57942	64800
57.00	72 x 114	96	172	21	30552	43206	48336	61161	68400
60.00	72 x 120	96	180	21	32160	45480	50880	64380	72000
63.00	72 x 126	108	168	23	33768	47754	53424	67599	75600
66.00	72 x 132	108	176	23	35376	50028	55968	70818	79200
69.00	72 x 138	108	184	23	36984	52302	58512	74037	82800
72.00	72 x 144	108	192	23	38592	54576	61056	77256	86400

Hoods wider than 98" will ship knocked down.

Insect Screens - Add .10 to area shown in table. Damper - Add .10 to area shown in table. Filters - Add .17 to area shown in table.



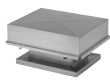
Gravity Intake 2:1 Ratio



Dimensional Data					Throat Velocity in FPM @ Static Pressure - Intake				
Throat Area	Throat Size	Hood Size			312/625	441/883	592/998	592/1185	625/1250
					CFM @ Static Pressure - Intake				
	A x B	C	D	E	.050	.100	.125	.180	.200
1.00	12 x 12	21	21	7	625	883	988	1185	1250
1.50	12 x 18	23	29	7	938	1325	1482	1778	1875
2.00	12 x 24	25	37	7	1250	1766	1976	2370	2500
2.50	12 x 30	26	44	7	1563	2208	2470	2963	3125
3.00	12 x 36	27	51	7	1875	2649	2964	3555	3750
3.50	12 x 42	29	57	7	2188	3091	3458	4148	4375
4.00	12 x 48	28	64	7	2500	3532	3952	4740	5000
1.36	14 x 14	25	25	8	851	1202	1345	1613	1701
1.75	14 x 18	26	30	8	1094	1545	1729	2074	2188
2.33	14 x 24	28	38	8	1458	2060	2305	2765	2917
2.92	14 x 30	29	45	8	1823	2575	2882	3456	3646
3.50	14 x 36	30	52	8	2188	3091	3458	4148	4375
4.08	14 x 42	30	57	8	2552	3606	4034	4839	5104
4.67	14 x 48	31	65	8	2917	4121	4611	5530	5833
5.25	14 x 54	32	72	8	3281	4636	5187	6221	6563
1.78	16 x 16	28	28	9	1111	1570	1756	2107	2222
2.22	16 x 20	29	33	9	1389	1962	2196	2633	2778
2.67	16 x 24	31	39	9	1667	2355	2635	3160	3333
3.33	16 x 30	32	45	9	2083	2943	3293	3950	4167
4.00	16 x 36	33	53	9	2500	3532	3952	4740	5000
4.67	16 x 42	33	59	9	2917	4121	4611	5530	5833
5.33	16 x 48	35	67	9	3333	4709	5269	6320	6667
6.00	16 x 54	36	74	9	3750	5298	5928	7110	7500
6.67	16 x 60	36	80	9	4167	5887	6587	7900	8333
7.33	16 x 66	37	87	9	4583	6475	7245	8690	9167
2.25	18 x 18	32	32	10	1406	1987	2223	2666	2813
3.00	18 x 24	33	40	10	1875	2649	2964	3555	3750
3.75	18 x 30	36	48	10	2344	3311	3705	4444	4688
4.50	18 x 36	37	55	10	2813	3974	4446	5333	5625
5.25	18 x 42	38	62	10	3281	4636	5187	6221	6563
6.00	18 x 48	39	69	10	3750	5298	5928	7110	7500
6.75	18 x 54	40	76	10	4219	5960	6669	7999	8438
7.50	18 x 60	40	82	10	4688	6623	7410	8888	9375
8.25	18 x 66	41	89	10	5156	7285	8151	9776	10313
9.00	18 x 72	41	95	10	5625	7947	8892	10665	11250
2.78	20 x 20	35	35	11	1736	2453	2744	3292	3472
3.33	20 x 24	37	41	11	2083	2943	3293	3950	4167
4.17	20 x 30	38	48	11	2604	3679	4117	4938	5208
5.00	20 x 36	40	56	11	3125	4415	4940	5925	6250
5.83	20 x 42	40	60	11	3646	5151	5763	6913	7292
6.67	20 x 48	42	70	11	4167	5887	6587	7900	8333

Hoods wider than 98" will ship knocked down.

Insect Screens - Add .10 to area shown in table. Damper - Add .10 to area shown in table. Filters - Add .17 to area shown in table.

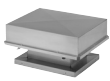


Gravity Intake 2:1 Ratio Cont.

Throat Area	Dimensional Data				Throat Velocity in FPM @ Static Pressure - Intake				
	Throat Size	Hood Size			312/625	441/883	592/998	592/1185	625/1250
					CFM @ Static Pressure - Intake				
A x B	C	D	E	.050	.100	.125	.180	.200	
7.50	20 x 54	43	77	11	4688	6623	7410	8888	9375
8.33	20 x 60	44	84	11	5208	7358	8233	9875	10417
9.17	20 x 66	45	91	11	5729	8094	9057	10863	11458
10.00	20 x 72	45	97	11	6250	8830	9880	11850	12500
10.83	20 x 78	46	106	11	6771	9956	10703	12838	13542
11.67	20 x 84	46	110	11	7292	10302	11527	13825	14583
4.00	24 x 24	42	42	11	2500	3532	3952	4740	5000
5.00	24 x 30	44	50	11	3125	4415	4940	5925	6250
6.00	24 x 36	46	58	11	3750	5298	5928	7110	7500
7.00	24 x 42	48	66	11	4375	6181	6916	8295	8750
8.00	24 x 48	49	73	11	5000	7064	7904	9480	10000
9.00	24 x 54	50	80	11	5625	7947	8892	10665	11250
10.00	24 x 60	52	88	11	6250	8830	9880	11850	12500
11.00	24 x 66	52	94	11	6875	9713	10868	13035	13750
12.00	24 x 72	52	100	11	7500	10596	11856	14220	15000
13.00	24 x 78	53	109	11	8125	11479	12844	15405	16250
14.00	24 x 84	54	114	11	8750	12362	13832	16590	17500
15.00	24 x 90	55	127	11	9375	13245	14820	17775	18750
6.25	30 x 30	53	53	13	3906	5519	6175	7406	7813
7.50	30 x 36	55	61	13	4688	6623	7410	8888	9375
8.75	30 x 42	57	69	13	5469	7726	8645	10369	10938
10.00	30 x 48	57	76	13	6250	8830	9880	11850	12500
11.25	30 x 54	60	84	13	7031	9934	11115	13331	14063
12.50	30 x 60	61	91	13	7813	11038	12350	14813	15625
13.75	30 x 66	62	98	13	8594	12141	13585	16294	17188
15.00	30 x 72	63	105	13	9375	13245	14820	17775	18750
16.25	30 x 78	64	114	13	10156	14349	16055	19256	20313
17.50	30 x 84	65	119	13	10938	15453	17290	20738	21875
18.75	30 x 90	66	132	13	11719	16556	18525	22219	23438
9.00	36 x 36	63	63	15	5625	7947	8892	10665	11250
10.50	36 x 42	66	72	15	6563	9272	10374	12443	13125
12.00	36 x 48	67	79	15	7500	10596	11856	14220	15000
13.50	36 x 54	69	87	15	8438	11921	13338	15998	16875
15.00	36 x 60	70	94	15	9375	13245	14820	17775	18750
16.50	36 x 66	71	101	15	10313	14570	16302	19553	20625
18.00	36 x 72	72	108	15	11250	15894	17784	21330	22500
19.50	36 x 78	74	117	15	12188	17219	19266	23108	24375
21.00	36 x 84	75	123	15	13125	18543	20748	24885	26250
22.50	36 x 90	75	130	15	14063	19868	22230	26663	28125
24.00	36 x 96	77	137	15	15000	21192	23712	28440	30000
25.50	36 x 102	78	150	15	15938	22517	25194	30218	31875
12.25	42 x 42	74	74	18	7656	10817	12103	14516	15313
15.75	42 x 54	78	90	18	9844	13907	15561	18664	19688
17.50	42 x 60	80	98	18	10938	15453	17290	20738	21875
19.25	42 x 66	81	105	18	12031	16998	19019	22811	24063
21.00	42 x 72	83	113	18	13125	18543	20748	24885	26250
22.75	42 x 78	83	122	18	14219	20088	22477	26959	28438
24.50	42 x 84	84	126	18	15313	21634	24206	29033	30625
26.25	42 x 90	85	135	18	16406	23179	25935	31106	32813
28.00	42 x 96	87	141	18	17500	24724	27664	33180	35000
29.75	42 x 102	88	150	18	18594	26269	29393	35254	37188
31.50	42 x 108	89	155	18	19688	27815	31122	37328	39375
16.00	48 x 48	84	84	20	10000	14128	15808	18960	20000
18.00	48 x 54	87	93	20	11250	15894	17784	21330	22500
20.00	48 x 60	88	100	20	12500	17660	19760	23700	25000
22.00	48 x 66	89	107	20	13750	19426	21736	26070	27500

Hoods wider than 98" will ship knocked down.

Insect Screens - Add .10 to area shown in table. Damper - Add .10 to area shown in table. Filters - Add .17 to area shown in table.



Gravity Intake 2:1 Ratio Cont.

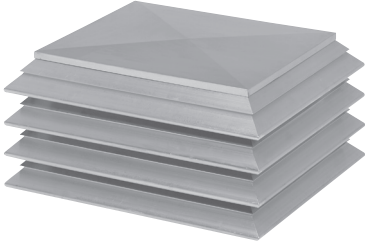
Throat Area	Dimensional Data				Throat Velocity in FPM @ Static Pressure - Intake				
	Throat Size	Hood Size			312/625	441/883	592/998	592/1185	625/1250
		A x B	C	D	E	CFM @ Static Pressure - Intake			
					.050	.100	.125	.180	.200
24.00	48 x 72	92	116	20	15000	21192	23712	28440	30000
26.00	48 x 78	94	126	20	16250	22958	25688	30810	32500
28.00	48 x 84	95	131	20	17500	24724	27664	33180	35000
30.00	48 x 90	95	140	20	18750	26490	29640	35550	37500
32.00	48 x 96	96	144	20	20000	28256	31616	37920	40000
34.00	48 x 102	96	155	20	21250	30022	33592	40290	42500
36.00	48 x 108	95	165	20	22500	31788	35568	42660	45000
38.00	48 x 114	97	172	20	23750	33554	37544	45030	47500
20.25	54 x 54	95	95	23	12656	17881	20007	23996	25313
22.50	54 x 60	97	103	23	14063	19868	22230	26663	28125
24.75	54 x 66	98	110	23	15469	21854	24453	29329	30938
27.00	54 x 72	98	121	23	16875	23841	26676	31995	33750
29.25	54 x 78	98	124	23	18281	25828	28899	34661	36563
31.50	54 x 84	98	140	23	19688	27815	31122	37328	39375
33.75	54 x 90	98	150	23	21094	29801	33345	39994	42188
36.00	54 x 96	98	160	23	22500	31788	35568	42660	45000
38.25	54 x 102	98	170	23	23906	33775	37791	45326	47813
40.50	54 x 108	98	179	23	25313	35762	40014	47993	50625
42.75	54 x 114	98	179	25	26719	37748	42237	50659	53438
25.00	60 x 60	95	115	25	15625	22075	24700	29625	31250
27.50	60 x 66	96	124	25	17188	24283	27170	32588	34375
30.00	60 x 72	109	121	25	18750	26490	29640	35550	37500
32.50	60 x 78	111	131	25	20313	28698	32110	38513	40625
35.00	60 x 84	113	137	25	21875	30905	34580	41475	43750
37.50	60 x 90	114	140	25	23438	33113	37050	44438	46875
40.00	60 x 96	115	151	25	25000	35320	39520	47400	50000
42.50	60 x 102	115	155	25	26563	37528	41990	50363	53125
45.00	60 x 108	118	166	25	28125	39735	44460	53325	56250
47.50	60 x 114	118	175	25	29688	41943	46930	56288	59375
50.00	60 x 120	118	184	25	31250	44150	49400	59250	62500
30.25	66 x 66	98	134	25	18906	26711	29887	35846	37813
33.00	66 x 72	98	134	25	20625	29139	32604	39105	41250
35.75	66 x 78	117	136	25	22344	31567	35321	42364	44688
38.50	66 x 84	117	143	25	24063	33996	38038	45623	48125
41.25	66 x 90	117	150	25	25781	36424	40755	48881	51563
44.00	66 x 96	117	162	25	24500	38852	43472	52140	55000
46.75	66 x 102	117	173	26	29219	41280	46189	55399	58438
49.50	66 x 108	117	182	26	30938	43709	48906	58658	61875
52.25	66 x 114	117	193	26	32656	46137	51623	61916	65313
55.00	66 x 120	124	192	28	34375	48565	54340	65175	68750
57.75	66 x 126	130	192	28	36094	50993	57057	68434	72188
60.50	66 x 132	138	190	28	37813	53422	59774	71693	75625
36.00	72 x 72	117	137	25	22500	31788	35568	42660	45000
39.00	72 x 78	126	134	28	24375	34437	38532	46215	48750
42.00	72 x 84	130	142	29	26250	37086	41496	49770	52500
45.00	72 x 90	132	148	28	28125	39735	44460	53325	56250
48.00	72 x 96	133	157	29	30000	42384	47424	56880	60000
51.00	72 x 102	140	170	28	31875	45033	50388	60435	63750
54.00	72 x 108	136	172	29	33750	47682	53352	63990	67500
57.00	72 x 114	140	178	28	35625	50331	56316	67545	71250
60.00	72 x 120	139	187	29	37500	52980	59280	71100	75000
63.00	72 x 126	144	190	29	39375	55629	62244	74655	78750
66.00	72 x 132	144	198	29	41250	58278	65208	78210	82500
69.00	72 x 138	144	208	29	43125	60927	68172	81765	86250
72.00	72 x 144	144	216	29	45000	63576	71136	85320	90000

Hoods wider than 98" will ship knocked down.

Insect Screens - Add .10 to area shown in table. Damper - Add .10 to area shown in table. Filters - Add .17 to area shown in table.

MODEL RLX

LOUVERED PENTHOUSE



MODEL FEATURES

- Exhaust or Supply air up to 69,500 CFM in static pressure applications up to .23" w.g.
- All aluminum construction
- Louvered penthouse design provides a low silhouette and modern design
- Corners are miter cut and heliarch welded for strength and weather protection

MODEL OVERVIEW

Model RLX aluminum louvered penthouse provides a low silhouette and modern design for fresh air intake, pressure relief and gravity applications. With hundreds of optional lengths and heights available, the RLX is frequently used for enclosing unsightly rooftop equipment. The storm resistant aluminum louver design provides weather integrity when properly sized. Catalog capacity ranges from 395 to 69,500 CFM with much greater ranges available in custom sizes. Companion, louvered fan Model LSF offers continuity in rooftop equipment designs.

CONSTRUCTION/SPECIFICATION CHECKLIST

- All aluminum construction for weather resistance, long life and maintenance-free operation.
- Louvers are made from heavy-gauge aluminum.
- Corners are miter cut and heliarch welded for strength and weather protection.
- Cross-braced with heavy-gauge angle for strength and wind resistance.
- Top is cross-braced and rated to 30 pounds per square foot for snow load protection.
- 1/2" x 1" galvanized birdscreen. (Deleted when filters used).

Shipping

- Units with width of 84" and smaller are shipped assembled. Units with a width of 90" and larger are shipped in two pieces for field assembly, (Ex: 84 x 144 ships assembled 90 x 90 ships in 2 pieces)
- Knockdown units assemble with standard tools. Easy installation directions and fasteners are included.

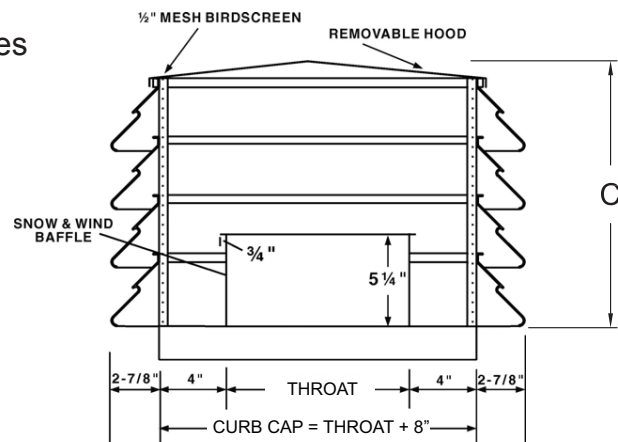
DIMENSIONS

Throat Size = A & B listed as throat size in tables

Curb Cap Size = A or B plus 8

Overall Size (F x G) = A or B plus 13-3/4"

Height (C) = 3-1/2" times number of tiers



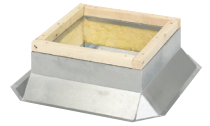
Industry best 5 year fan housing warranty

All specifications are subject to change without notice unless approved in submittal by JencoFan.



OPTIONS/ACCESSORIES

Roof Curb: Prefabricated heavy-gauge galvanized steel, welded construction, 8" high (other heights are also available) with 1-1/2" wood nailer. Assures perfect fit of ventilator to roof opening. Options include burglar bars, single or double pitch construction and hinged curbs for easy duct access.



Motor Operated Damper: Motor operated aluminum damper for positive closure against backdraft.



Automatic Damper: Automatic aluminum damper for ease in installation and effective backdraft protection.

Insulation: Mastic anti-condensate coating or 1" thick fiberglass insulation is added to underside of top to help prevent condensation.

Filters: Permanent type aluminum mesh filters attached to full perimeter of hood. Installed for easy cleaning. On air intake, add .15" to static pressure listed in the tables.

Insect/Weather Screen: Helps prevent insects and snow (in extreme conditions) from entering units. Add .10" to the static pressure tables for exhaust models and .05" for intake ventilators.

Access Section: Used for easier access when unit is used as an equipment cover.

Special Coatings: for protective and decorative purposes. Available coatings include: Synthetic Resin, Epoxy, and Heresite (air-dried phenolic). Contact your representative or the factory for more information on available coatings and colors.



PERFORMANCE/DIMENSIONS

Gravity Relief & Intake

Throat Size A x B	CFM at SP = 0.15																	
	Number of Tiers and Height in Inches (C)																	
	3	4	5	6	7	8	9	10	11	12	13	14	15	16	17	18	19	20
	10.5	14	17.5	21	24.5	28	31.5	35	38.5	42	45.5	49	52.5	56	59.5	63	66.5	70
12x12	1199	1225	1238	1245	-	-	-	-	-	-	-	-	-	-	-	-	-	-
12x14	1382	1419	1438	1448	-	-	-	-	-	-	-	-	-	-	-	-	-	-
12x16	1562	1611	1636	1649	-	-	-	-	-	-	-	-	-	-	-	-	-	-
12x18	1737	1800	1832	1850	1861	-	-	-	-	-	-	-	-	-	-	-	-	-
12x20	1909	1987	2026	2049	2063	-	-	-	-	-	-	-	-	-	-	-	-	-
12x24	2244	2354	2411	2444	2464	-	-	-	-	-	-	-	-	-	-	-	-	-
12x30	2729	2892	2979	3029	3061	3082	-	-	-	-	-	-	-	-	-	-	-	-
12x36	3197	3418	3538	3608	3652	3682	-	-	-	-	-	-	-	-	-	-	-	-
12x42	3653	3935	4089	4181	4240	4279	-	-	-	-	-	-	-	-	-	-	-	-
12x48	4101	4444	4635	4750	4823	4873	-	-	-	-	-	-	-	-	-	-	-	-
14x14	1590	1642	1668	1682	1691	1697	-	-	-	-	-	-	-	-	-	-	-	-
14x16	1791	1860	1895	1915	1927	1935	-	-	-	-	-	-	-	-	-	-	-	-
14x18	1987	2075	2120	2146	2162	2172	-	-	-	-	-	-	-	-	-	-	-	-
14x20	2178	2286	2342	2375	2395	2408	2417	-	-	-	-	-	-	-	-	-	-	-
14x24	2548	2700	2781	2828	2857	2877	2890	-	-	-	-	-	-	-	-	-	-	-
14x30	3078	3303	3425	3497	3543	3573	3595	-	-	-	-	-	-	-	-	-	-	-
14x36	3587	3888	4055	4156	4220	4264	4294	4316	-	-	-	-	-	-	-	-	-	-
14x42	4080	4459	4675	4807	4891	4949	4989	5019	-	-	-	-	-	-	-	-	-	-
14x48	4561	5021	5287	5451	5557	5629	5681	5718	-	-	-	-	-	-	-	-	-	-
16x16	2012	2104	2151	2178	2194	2205	2213	2219	-	-	-	-	-	-	-	-	-	-
16x18	2227	2343	2403	2438	2460	2474	2484	2491	-	-	-	-	-	-	-	-	-	-
16x20	2435	2577	2652	2696	2723	2741	2754	2763	-	-	-	-	-	-	-	-	-	-
16x24	2835	3034	3141	3205	3245	3272	3290	3304	3314	-	-	-	-	-	-	-	-	-
16x30	3404	3694	3856	3953	4016	4058	4087	4109	4125	-	-	-	-	-	-	-	-	-
16x36	3945	4331	4552	4687	4775	4835	4877	4908	4931	-	-	-	-	-	-	-	-	-
16x42	-	4950	5234	5410	5525	5604	5660	5701	5732	5756	-	-	-	-	-	-	-	-
16x48	-	5556	5905	6123	6268	6367	6438	6490	6530	6560	-	-	-	-	-	-	-	-
18x18	2458	2604	2682	2727	2755	2774	2787	2797	2804	2809	-	-	-	-	-	-	-	-
18x20	2681	2860	2956	3013	3048	3072	3089	3101	3110	3117	-	-	-	-	-	-	-	-
18x24	3107	3356	3493	3575	3627	3662	3687	3705	3718	3729	3737	-	-	-	-	-	-	-
18x30	3709	4067	4273	4398	4480	4535	4574	4603	4624	4641	4654	-	-	-	-	-	-	-
18x36	4277	4750	5029	5203	5317	5395	5451	5492	5523	5546	5565	-	-	-	-	-	-	-
18x42	-	5410	5767	5992	6142	6245	6319	6374	6415	6447	6472	6492	-	-	-	-	-	-
18x48	-	6055	6490	6770	6957	7087	7181	7250	7302	7343	7375	7401	-	-	-	-	-	-
18x54	-	-	7202	7537	7763	7922	8036	8121	8185	8236	8275	8307	-	-	-	-	-	-
20x20	2917	3135	3254	3325	3370	3400	3421	3436	3448	3457	3464	3469	-	-	-	-	-	-
20x24	3367	3667	3836	3938	4004	4049	4080	4103	4120	4133	4144	4152	-	-	-	-	-	-
20x30	3996	4425	4677	4834	4936	5006	5055	5092	5119	5140	5157	5170	5181	-	-	-	-	-
20x36	-	5148	5488	5704	5847	5946	6017	6069	6108	6139	6163	6182	6198	-	-	-	-	-
20x42	-	5844	6276	6555	6743	6873	6967	7037	7090	7131	7163	7189	7210	7228	-	-	-	-
20x48	-	6521	7046	7391	7625	7789	7908	7996	8064	8116	8158	8191	8219	8241	-	-	-	-
20x54	-	-	7802	8214	8496	8696	8841	8950	9032	9097	9148	9190	9223	9251	-	-	-	-

Selection to the right of the divider are suitable for intake (Perimeter Velocity 600 fpm or less)

Penthouse wider than 90" will ship in pieces.

Assembly instructions and fasteners are included.

Dampers & Insect Screens - Add .10 to area shown in tables.



Gravity Relief & Intake Cont.

Throat Size A x B	CFM at SP = 0.15																		
	Number of Tiers and Height in Inches (C)																		
	3	4	5	6	7	8	9	10	11	12	13	14	15	16	17	18	19	20	
10.5	14	17.5	21	24.5	28	31.5	35	38.5	42	45.5	49	52.5	56	59.5	63	66.5	70		
24x24	-	4263	4501	4649	4745	4811	4857	4892	4917	4937	4953	4965	4976	4984	-	-	-	-	
24x30	-	5101	5452	5676	5825	5928	6002	6057	6098	6130	6155	6176	6192	6206	-	-	-	-	
24x36	-	5891	6359	6666	6874	7019	7125	7203	7263	7309	7346	7376	7400	7420	7436	-	-	-	
24x42	-	-	7234	7627	7898	8090	8230	8335	8415	8477	8527	8567	8600	8627	8649	-	-	-	
24x48	-	-	8082	8565	8902	9143	9320	9453	9555	9635	9699	9751	9793	9827	9857	9881	-	-	
24x54	-	-	8911	9485	9890	10182	10398	10561	10687	10785	10864	10928	10980	11023	11060	11090	-	-	
24x60	-	-	9725	10390	10864	11209	11465	11659	11810	11928	12023	12099	12162	12215	12258	12296	-	-	
30x30	-	6036	6543	6878	7107	7269	7386	7474	7540	7592	7633	7667	7694	7716	7735	7751	-	-	
30x36	-	6901	7568	8023	8339	8566	8733	8859	8955	9031	9091	9139	9179	9212	9239	9262	-	-	
30x42	-	-	8544	9121	9531	9829	10050	10217	10347	10448	10530	10596	10650	10695	10732	10764	10791	-	
30x48	-	-	9484	10184	10690	11062	11340	11553	11718	11849	11953	12038	12108	12166	12215	12257	12292	-	
30x54	-	-	10394	11219	11823	12271	12610	12870	13073	13234	13364	13469	13556	13629	13690	13741	13786	-	
30x60	-	-	-	12232	12934	13461	13861	14171	14413	14607	14763	14890	14995	15083	15157	15219	15273	15319	
30x66	-	-	-	13226	14028	14634	15098	15458	15742	15968	16152	16302	16426	16529	16617	16691	16755	16810	
30x72	-	-	-	-	15108	15794	16322	16734	17060	17321	17532	17706	17850	17970	18072	18158	18232	18296	
36x36	-	7824	8688	9297	9732	10049	10286	10466	10605	10715	10802	10874	10932	10981	11021	11056	11085	11111	
36x42	-	-	9743	10508	11066	11480	11792	12031	12218	12367	12486	12583	12663	12729	12785	12833	12873	12908	
36x48	-	-	10749	11670	12353	12867	13259	13563	13801	13991	14145	14270	14374	14460	14533	14595	14648	14694	
36x54	-	-	11719	12793	13604	14220	14695	15065	15358	15592	15782	15938	16067	16175	16266	16344	16411	16468	
36x60	-	-	-	13887	14824	15544	16104	16543	16892	17173	17401	17589	17746	17877	17987	18082	18163	18233	
36x66	-	-	-	14957	16020	16845	17490	18000	18407	18736	19005	19227	19411	19566	19698	19810	19906	19990	
36x72	-	-	-	-	17195	18125	18858	19440	19906	20285	20595	20851	21065	21245	21398	21529	21641	21739	
36x80	-	-	-	-	18738	19808	20657	21336	21884	22330	22697	23001	23256	23470	23653	23809	23944	24061	
36x84	-	-	-	-	-	20639	21547	22275	22864	23345	23741	24069	24345	24577	24775	24945	25091	25218	
42x42	-	-	-	11812	12523	13059	13470	13788	14039	14239	14401	14533	14643	14734	14811	14877	14933	14981	
42x48	-	-	-	-	13919	14581	15094	15496	15815	16072	16280	16451	16593	16713	16813	16899	16973	17036	
42x54	-	-	-	-	15266	16056	16675	17164	17555	17871	18129	18342	18519	18668	18794	18902	18995	19075	
42x60	-	-	-	-	-	18219	18797	19263	19641	19951	20208	20422	20603	20756	20888	21001	21099		
42x66	-	-	-	-	-	19732	20402	20943	21385	21750	22052	22306	22520	22702	22858	22993	23110		
42x72	-	-	-	-	-	21220	21981	22601	23109	23529	23879	24173	24422	24634	24816	24973	25110		
42x80	-	-	-	-	-	-	24056	24781	25378	25874	26289	26639	26936	27189	27408	27596	27761		
42x84	-	-	-	-	-	-	25081	25859	26502	27037	27485	27863	28185	28460	28696	28902	29080		
42x96	-	-	-	-	-	-	-	29839	30492	31041	31507	31904	32245	32540	32795	33018			
48x48	-	-	-	14363	15408	16221	16860	17366	17771	18099	18367	18589	18773	18929	19060	19173	19270	19353	
48x54	-	-	-	-	16836	17801	18568	19182	19677	20081	20413	20688	20918	21113	21278	21420	21542	21647	
48x60	-	-	-	-	18216	19333	20230	20953	21541	22023	22422	22754	23032	23268	23470	23642	23791	23921	
48x66	-	-	-	-	20826	21852	22686	23369	23932	24399	24790	25119	25399	25638	25844	26021	26176		
48x72	-	-	-	-	-	23441	24387	25166	25812	26350	26801	27183	27508	27786	28026	28234	28415		
48x80	-	-	-	-	-	25518	26614	27523	28280	28914	29449	29903	30290	30623	30910	31160	31378		
48x84	-	-	-	-	-	-	27712	28686	29499	30182	30760	31250	31670	32030	32342	32614	32851		
48x96	-	-	-	-	-	-	30957	32127	33111	33943	34649	35252	35770	36217	36605	36943	37240		
48x108	-	-	-	-	-	-	-	36664	37646	38485	39203	39823	40359	40825	41233	41590			
54x54	-	-	-	16913	18334	19474	20391	21133	21736	22232	22642	22984	23272	23515	23723	23901	24055	24189	
54x60	-	-	-	-	19776	21088	22156	23027	23742	24333	24824	25236	25584	25880	26133	26351	26539	26703	
54x66	-	-	-	-	-	22655	23872	24874	25702	26390	26966	27451	27862	28212	28512	28771	28996	29193	
54x72	-	-	-	-	-	25548	26681	27623	28411	29073	29632	30108	30514	30864	31167	31430	31660		
54x80	-	-	-	-	-	27732	29039	30134	31056	31834	32496	33060	33545	33963	34326	34642	34920		
54x84	-	-	-	-	-	-	30199	31371	32360	33198	33911	34521	35045	35499	35892	36236	36537		
54x96	-	-	-	-	-	-	-	35020	36212	37229	38100	38848	39495	40057	40546	40974	41351		
54x108	-	-	-	-	-	-	-	-	39990	41187	42218	43108	43881	44553	45141	45657	46112		
54x120	-	-	-	-	-	-	-	-	43709	45088	46280	47314	48214	49000	49689	50296	50831		
54x144	-	-	-	-	-	-	-	-	-	-	-	54279	55603	56762	57780	58676	59468	60170	

Selection to the right of the divider are suitable for intake (Perimeter Velocity 600 fpm or less)

Penthouse wider than 90" will ship in pieces.

Assembly instructions and fasteners are included.

Dampers & Insect Screens - Add .10 to area shown in tables.



Gravity Relief & Intake Cont.

Throat Size A x B	CFM at SP = 0.15																			
	Number of Tiers and Height in Inches (C)																			
	3	4	5	6	7	8	9	10	11	12	13	14	15	16	17	18	19	20		
10.5	14	17.5	21	24.5	28	31.5	35	38.5	42	45.5	49	52.5	56	59.5	63	66.5	70			
60x60	-	-	-	19442	21270	22774	24012	25032	25877	26580	27169	27664	28085	28444	28752	29018	29249	29450		
60x66	-	-	-	-	22712	24405	25811	26981	27957	28774	29462	30045	30541	30965	31331	31648	31924	32165		
60x72	-	-	-	-	-	25990	27563	28882	29989	30922	31711	32383	32957	33450	33876	34245	34568	34851		
60x80	-	-	-	-	-	-	29839	31354	32637	33725	34652	35445	36125	36712	37221	37664	38052	38392		
60x84	-	-	-	-	-	-	30955	32568	33938	35105	36101	36955	37689	38324	38875	39356	39777	40148		
60x96	-	-	-	-	-	-	-	36136	37768	39169	40374	41413	42313	43095	43776	44373	44898	45361		
60x108	-	-	-	-	-	-	-	-	41507	43142	44556	45784	46851	47783	48599	49316	49948	50507		
60x120	-	-	-	-	-	-	-	-	-	47044	48669	50085	51322	52405	53357	54197	54938	55597		
60x144	-	-	-	-	-	-	-	-	-	54693	56736	58529	60108	61499	62728	63817	64784	65646		
66x66	-	-	-	-	-	26091	27684	29021	30145	31093	31896	32580	33164	33667	34101	34479	34808	35097		
66x72	-	-	-	-	-	-	29502	31005	32278	33358	34277	35064	35740	36323	36828	37268	37654	37992		
66x80	-	-	-	-	-	-	-	33578	35048	36305	37382	38308	39108	39801	40405	40932	41395	41803		
66x84	-	-	-	-	-	-	-	34839	36406	37751	38908	39905	40768	41517	42171	42743	43245	43689		
66x96	-	-	-	-	-	-	-	-	40395	42003	43398	44608	45663	46584	47390	48100	48726	49280		
66x108	-	-	-	-	-	-	-	-	-	46148	47779	49205	50453	51548	52512	53363	54117	54786		
66x120	-	-	-	-	-	-	-	-	-	50209	52077	53718	55161	56432	57555	58550	59434	60221		
66x144	-	-	-	-	-	-	-	-	-	58147	60484	62553	64387	66014	67459	68747	69897	70925		
72x72	-	-	-	-	-	29405	31380	33064	34501	35729	36781	37685	38465	39140	39728	40242	40692	41089		
72x80	-	-	-	-	-	-	-	35728	37382	38806	40035	41098	42020	42822	43523	44138	44679	45157		
72x84	-	-	-	-	-	-	-	37029	38792	40314	41632	42774	43768	44635	45393	46060	46648	47168		
72x96	-	-	-	-	-	-	-	-	42920	44734	46318	47701	48912	49975	50910	51736	52467	53117		
72x108	-	-	-	-	-	-	-	-	46927	49030	50877	52501	53932	55193	56309	57298	58177	58960		
72x120	-	-	-	-	-	-	-	-	50843	53229	55338	57203	58853	60314	61612	62767	63796	64716		
72x144	-	-	-	-	-	-	-	-	58476	61418	64043	66384	68471	70334	71999	73490	74826	76027		
84x84	-	-	-	-	-	-	-	41219	43362	45236	46875	48310	49570	50677	51653	52516	53281	53962		
84x96	-	-	-	-	-	-	-	-	49946	51903	53631	55158	56510	57709	58775	59725	60573	61253		
84x108	-	-	-	-	-	-	-	-	54497	56767	58785	60580	62177	63602	64875	66103	67035	67765		
84x120	-	-	-	-	-	-	-	-	-	61504	63809	65870	67714	69365	70846	72176	73374	74374		
84x144	-	-	-	-	-	-	-	-	-	70701	73569	76155	78487	80592	82492	84210	85765	87165		

Selection to the right of the divider are suitable for intake (Perimeter Velocity 600 fpm or less)

Penthouse wider than 90" will ship in pieces.

Assembly instructions and fasteners are included.

Dampers & Insect Screens - Add .10 to area shown in tables.



Gravity Relief & Intake

Throat Size A x B	CFM at SP = 0.05																	
	Number of Tiers and Height in Inches (C)																	
	3	4	5	6	7	8	9	10	11	12	13	14	15	16	17	18	19	20
	10.5	14	17.5	21	24.5	28	31.5	35	38.5	42	45.5	49	52.5	56	59.5	63	66.5	70
12x12	692	707	715	719	-	-	-	-	-	-	-	-	-	-	-	-	-	-
12x14	798	820	830	836	-	-	-	-	-	-	-	-	-	-	-	-	-	-
12x16	902	930	944	952	-	-	-	-	-	-	-	-	-	-	-	-	-	-
12x18	1003	1039	1058	1068	1074	-	-	-	-	-	-	-	-	-	-	-	-	-
12x20	1102	1147	1170	1183	1191	-	-	-	-	-	-	-	-	-	-	-	-	-
12x24	1296	1359	1392	1411	1423	-	-	-	-	-	-	-	-	-	-	-	-	-
12x30	1575	1670	1720	1749	1767	1779	-	-	-	-	-	-	-	-	-	-	-	-
12x36	1846	1974	2042	2083	2109	2126	-	-	-	-	-	-	-	-	-	-	-	-
12x42	2109	2272	2361	2414	2448	2470	-	-	-	-	-	-	-	-	-	-	-	-
12x48	2367	2566	2676	2742	2785	2813	-	-	-	-	-	-	-	-	-	-	-	-
14x14	918	948	963	971	977	980	-	-	-	-	-	-	-	-	-	-	-	-
14x16	1034	1074	1094	1106	1113	1117	-	-	-	-	-	-	-	-	-	-	-	-
14x18	1147	1198	1224	1239	1248	1254	-	-	-	-	-	-	-	-	-	-	-	-
14x20	1257	1320	1352	1371	1383	1390	1396	-	-	-	-	-	-	-	-	-	-	-
14x24	1471	1559	1606	1633	1650	1661	1669	-	-	-	-	-	-	-	-	-	-	-
14x30	1777	1907	1977	2019	2045	2063	2075	-	-	-	-	-	-	-	-	-	-	-
14x36	2071	2245	2341	2399	2437	2462	2479	2492	-	-	-	-	-	-	-	-	-	-
14x42	2355	2575	2699	2775	2824	2857	2880	2898	-	-	-	-	-	-	-	-	-	-
14x48	2633	2899	3053	3147	3208	3250	3280	3301	-	-	-	-	-	-	-	-	-	-
16x16	1162	1215	1242	1257	1267	1273	1278	1281	-	-	-	-	-	-	-	-	-	-
16x18	1286	1353	1387	1408	1420	1428	1434	1438	-	-	-	-	-	-	-	-	-	-
16x20	1406	1488	1531	1556	1572	1583	1590	1595	-	-	-	-	-	-	-	-	-	-
16x24	1637	1752	1814	1850	1873	1889	1900	1908	1913	-	-	-	-	-	-	-	-	-
16x30	1965	2133	2226	2282	2318	2343	2360	2372	2382	-	-	-	-	-	-	-	-	-
16x36	2278	2500	2628	2706	2757	2791	2816	2833	2847	-	-	-	-	-	-	-	-	-
16x42	-	2858	3022	3123	3190	3235	3268	3292	3309	3323	-	-	-	-	-	-	-	-
16x48	-	3208	3409	3535	3619	3676	3717	3747	3770	3788	-	-	-	-	-	-	-	-
18x18	1419	1504	1548	1574	1591	1602	1609	1615	1619	1622	-	-	-	-	-	-	-	-
18x20	1548	1651	1707	1739	1760	1774	1783	1790	1795	1799	-	-	-	-	-	-	-	-
18x24	1794	1937	2017	2064	2094	2114	2129	2139	2147	2153	2157	-	-	-	-	-	-	-
18x30	2141	2348	2467	2539	2586	2618	2641	2657	2670	2679	2687	-	-	-	-	-	-	-
18x36	2469	2742	2904	3004	3070	3115	3147	3171	3188	3202	3213	-	-	-	-	-	-	-
18x42	-	3124	3329	3460	3546	3606	3648	3680	3704	3722	3737	3748	-	-	-	-	-	-
18x48	-	3496	3747	3908	4017	4092	4146	4186	4216	4240	4258	4273	-	-	-	-	-	-
18x54	-	-	4158	4351	4482	4574	4640	4689	4726	4755	4778	4796	-	-	-	-	-	-
20x20	1684	1810	1879	1920	1946	1963	1975	1984	1991	1996	2000	2003	-	-	-	-	-	-
20x24	1944	2117	2215	2274	2312	2338	2356	2369	2379	2386	2392	2397	-	-	-	-	-	-
20x30	2307	2555	2700	2791	2850	2890	2919	2940	2956	2968	2977	2985	2991	-	-	-	-	-
20x36	-	2972	3169	3293	3376	3433	3474	3504	3527	3544	3558	3569	3579	-	-	-	-	-
20x42	-	3374	3624	3785	3893	3968	4022	4063	4093	4117	4136	4151	4163	4173	-	-	-	-
20x48	-	3765	4068	4267	4402	4497	4566	4617	4656	4686	4710	4729	4745	4758	-	-	-	-
20x54	-	-	4504	4742	4905	5021	5104	5167	5215	5252	5282	5306	5325	5341	-	-	-	-

Selection to the right of the divider are suitable for intake (Perimeter Velocity 600 fpm or less)

Penthouse wider than 90" will ship in pieces.

Assembly instructions and fasteners are included.

Dampers & Insect Screens - Add .10 to area shown in tables.



Gravity Relief & Intake Cont.

Throat Size A x B	CFM at SP = 0.05																		
	Number of Tiers and Height in Inches (C)																		
	3	4	5	6	7	8	9	10	11	12	13	14	15	16	17	18	19	20	
10.5	14	17.5	21	24.5	28	31.5	35	38.5	42	45.5	49	52.5	56	59.5	63	66.5	70		
24x24	-	2461	2599	2684	2739	2777	2804	2824	2839	2851	2860	2867	2873	2878	-	-	-	-	
24x30	-	2945	3148	3277	3363	3422	3465	3497	3521	3539	3554	3566	3575	3583	-	-	-	-	
24x36	-	3401	3672	3849	3969	4053	4114	4159	4193	4220	4241	4258	4272	4284	4293	-	-	-	
24x42	-	-	4176	4404	4560	4671	4752	4812	4858	4894	4923	4946	4965	4981	4994	-	-	-	
24x48	-	-	4666	4945	5140	5279	5381	5458	5517	5563	5600	5629	5654	5674	5691	5705	-	-	
24x54	-	-	5145	5476	5710	5878	6003	6097	6170	6227	6272	6309	6339	6364	6385	6403	-	-	
24x60	-	-	5615	5999	6272	6471	6619	6731	6818	6887	6941	6986	7022	7052	7077	7099	-	-	
30x30	-	3485	3778	3971	4103	4197	4264	4315	4353	4383	4407	4426	4442	4455	4466	4475	-	-	
30x36	-	3985	4370	4632	4815	4946	5042	5115	5170	5214	5248	5276	5299	5318	5334	5348	-	-	
30x42	-	-	4933	5266	5503	5675	5802	5899	5974	6032	6079	6117	6149	6175	6196	6215	6230	-	
30x48	-	-	5475	5880	6172	6387	6547	6670	6765	6841	6901	6950	6991	7024	7053	7076	7097	-	
30x54	-	-	6001	6477	6826	7085	7280	7430	7548	7641	7716	7776	7827	7869	7904	7934	7959	-	
30x60	-	-	-	7062	7468	7772	8003	8181	8322	8433	8523	8597	8657	8708	8751	8787	8818	8845	
30x66	-	-	-	7636	8099	8449	8717	8925	9089	9219	9325	9412	9483	9543	9594	9637	9674	9705	
30x72	-	-	-	-	8722	9119	9423	9661	9849	10000	10122	10222	10305	10375	10434	10484	10526	10563	
36x36	-	4517	5016	5367	5619	5802	5939	6042	6123	6186	6237	6278	6312	6340	6363	6383	6400	6415	
36x42	-	-	5625	6067	6389	6628	6808	6946	7054	7140	7209	7265	7311	7349	7382	7409	7432	7453	
36x48	-	-	6206	6737	7132	7429	7655	7830	7968	8078	8166	8239	8299	8348	8391	8426	8457	8483	
36x54	-	-	6766	7386	7854	8210	8484	8698	8867	9002	9112	9202	9276	9339	9391	9436	9475	9508	
36x60	-	-	-	8018	8559	8975	9297	9551	9753	9915	10047	10155	10245	10321	10385	10440	10486	10527	
36x66	-	-	-	8635	9249	9725	10098	10392	10628	10817	10973	11101	11207	11297	11372	11437	11493	11541	
36x72	-	-	-	-	9928	10465	10887	11223	11493	11712	11891	12039	12162	12266	12354	12430	12495	12551	
36x80	-	-	-	-	10818	11436	11926	12318	12635	12892	13104	13280	13427	13551	13656	13746	13824	13892	
36x84	-	-	-	-	-	11916	12440	12861	13201	13478	13707	13896	14055	14190	14304	14402	14486	14560	
42x42	-	-	-	6820	7230	7540	7777	7961	8105	8221	8314	8391	8454	8507	8551	8589	8622	8650	
42x48	-	-	-	-	8036	8419	8715	8947	9131	9279	9399	9498	9580	9649	9707	9757	9799	9836	
42x54	-	-	-	-	8814	9270	9627	9910	10135	10318	10467	10590	10692	10778	10851	10913	10967	11013	
42x60	-	-	-	-	-	10519	10853	11121	11340	11519	11667	11791	11895	11984	12060	12125	12181	12218	
42x66	-	-	-	-	-	11392	11779	12092	12347	12557	12732	12878	13002	13107	13197	13275	13343	13401	
42x72	-	-	-	-	-	12251	12691	13049	13342	13584	13786	13956	14100	14222	14327	14418	14497	14565	
42x80	-	-	-	-	-	-	13889	14307	14652	14938	15178	15380	15551	15698	15824	15933	16028	16108	
42x84	-	-	-	-	-	-	14481	14930	15301	15610	15868	16087	16272	16431	16568	16686	16789	16878	
42x96	-	-	-	-	-	-	-	-	17227	17604	17922	18191	18420	18617	18787	18934	19063	19182	
48x48	-	-	-	8293	8896	9365	9734	10026	10260	10450	10604	10732	10839	10929	11005	11069	11125	11174	
48x54	-	-	-	-	9720	10278	10720	11075	11361	11594	11785	11944	12077	12189	12285	12367	12437	12498	
48x60	-	-	-	-	10517	11162	11680	12097	12437	12715	12945	13137	13298	13434	13550	13650	13736	13811	
48x66	-	-	-	-	-	12024	12616	13098	13492	13817	14087	14313	14503	14664	14802	14921	15023	15113	
48x72	-	-	-	-	-	-	13534	14080	14530	14902	15213	15474	15694	15882	16042	16181	16301	16405	
48x80	-	-	-	-	-	-	14733	15366	15890	16327	16693	17002	17264	17488	17680	17846	17990	18116	
48x84	-	-	-	-	-	-	-	16000	16562	17031	17426	17759	18042	18285	18493	18673	18830	18966	
48x96	-	-	-	-	-	-	-	17873	18548	19116	19597	20005	20353	20652	20910	21134	21329	21500	
48x108	-	-	-	-	-	-	-	-	-	21168	21735	22219	22634	22992	23301	23570	23806	24012	
54x54	-	-	-	9765	10585	11243	11773	12201	12550	12836	13072	13270	13436	13576	13696	13799	13888	13966	
54x60	-	-	-	-	11417	12175	12792	13295	13707	14049	14332	14570	14771	14942	15088	15213	15322	15417	
54x66	-	-	-	-	-	13080	13782	14361	14839	15237	15569	15849	16086	16288	16461	16611	16741	16855	
54x72	-	-	-	-	-	-	14750	15404	15948	16403	16785	17108	17383	17617	17819	17994	18146	18279	
54x80	-	-	-	-	-	-	16011	16766	17398	17930	18380	18761	19087	19367	19609	19818	20001	20161	
54x84	-	-	-	-	-	-	-	17436	18112	18683	19167	19578	19931	20233	20495	20723	20921	21095	
54x96	-	-	-	-	-	-	-	-	20219	20907	21494	21997	22429	22803	23127	23409	23656	23874	
54x108	-	-	-	-	-	-	-	-	-	23088	23779	24374	24889	25334	25723	26062	26360	26623	
54x120	-	-	-	-	-	-	-	-	-	25235	26032	26720	27317	27836	28290	28688	29038	29347	
54x144	-	-	-	-	-	-	-	-	-	-	-	-	-	31338	32103	32772	33359	33876	

Selection to the right of the divider are suitable for intake (Perimeter Velocity 600 fpm or less)

Penthouse wider than 90" will ship in pieces.

Assembly instructions and fasteners are included.

Dampers & Insect Screens - Add .10 to area shown in tables.



Gravity Relief & Intake Cont.

Throat Size A x B	CFM at SP = 0.05																		
	Number of Tiers and Height in Inches (C)																		
	3	4	5	6	7	8	9	10	11	12	13	14	15	16	17	18	19	20	
	10.5	14	17.5	21	24.5	28	31.5	35	38.5	42	45.5	49	52.5	56	59.5	63	66.5	70	
60x60	-	-	-	11225	12280	13149	13863	14452	14940	15346	15686	15972	16215	16422	16600	16753	16887	17003	
60x66	-	-	-	-	13113	14090	14902	15577	16141	16613	17010	17346	17633	17878	18089	18272	18431	18570	
60x72	-	-	-	-	-	15005	15914	16675	17314	17853	18309	18696	19028	19312	19558	19772	19958	20121	
60x80	-	-	-	-	-	-	17227	18102	18843	19471	20006	20464	20857	21196	21490	21745	21969	22166	
60x84	-	-	-	-	-	-	17872	18803	19594	20268	20843	21336	21760	22126	22445	22722	22965	23179	
60x96	-	-	-	-	-	-	-	20863	21805	22614	23310	23910	24429	24881	25274	25619	25922	26189	
60x108	-	-	-	-	-	-	-	-	23964	24908	25725	26433	27050	27588	28059	28472	28837	29160	
60x120	-	-	-	-	-	-	-	-	-	27161	28099	28916	29631	30256	30806	31290	31719	32099	
60x144	-	-	-	-	-	-	-	-	-	31577	32756	33792	34703	35506	36216	36845	37403	37901	
66x66	-	-	-	-	-	15064	15983	16755	17404	17952	18415	18810	19147	19438	19688	19906	20096	20263	
66x72	-	-	-	-	-	-	17033	17901	18635	19259	19790	20244	20634	20971	21263	21517	21739	21935	
66x80	-	-	-	-	-	-	-	19387	20235	20960	21582	22117	22579	22979	23328	23632	23899	24135	
66x84	-	-	-	-	-	-	-	20114	21019	21796	22463	23039	23537	23970	24347	24677	24968	25224	
66x96	-	-	-	-	-	-	-	-	23322	24251	25056	25755	26363	26895	27361	27771	28132	28452	
66x108	-	-	-	-	-	-	-	-	-	26643	27585	28409	29129	29762	30318	30809	31244	31630	
66x120	-	-	-	-	-	-	-	-	-	28988	30067	31014	31847	32581	33230	33804	34314	34768	
66x144	-	-	-	-	-	-	-	-	-	33571	34921	36115	37174	38113	38948	39691	40355	40949	
72x72	-	-	-	-	-	16977	18117	19090	19919	20628	21235	21757	22208	22598	22937	23234	23494	23723	
72x80	-	-	-	-	-	-	-	20627	21582	22405	23114	23728	24260	24723	25128	25483	25795	26072	
72x84	-	-	-	-	-	-	-	21379	22396	23275	24036	24696	25269	25770	26208	26593	26932	27232	
72x96	-	-	-	-	-	-	-	-	24780	25827	26741	27540	28239	28853	29393	29870	30292	30667	
72x108	-	-	-	-	-	-	-	-	27093	28307	29374	30312	31137	31866	32510	33081	33588	34040	
72x120	-	-	-	-	-	-	-	-	29354	30732	31950	33026	33979	34823	35572	36238	36833	37364	
72x144	-	-	-	-	-	-	-	-	33761	35460	36975	38327	39532	40607	41569	42429	43201	43894	
84x84	-	-	-	-	-	-	-	23798	25035	26117	27063	27892	28619	29258	29822	30320	30762	31155	
84x96	-	-	-	-	-	-	-	-	-	28836	29966	30964	31845	32626	33318	33934	34482	34972	
84x108	-	-	-	-	-	-	-	-	-	31464	32774	33939	34976	35898	36721	37455	38113	38702	
84x120	-	-	-	-	-	-	-	-	-	-	35509	36840	38030	39094	40048	40903	41671	42362	
84x144	-	-	-	-	-	-	-	-	-	-	40819	42475	43968	45315	46530	47627	48619	49516	

Selection to the right of the divider are suitable for intake (Perimeter Velocity 600 fpm or less)

Penthouse wider than 90" will ship in pieces.

Assembly instructions and fasteners are included.

Dampers & Insect Screens - Add .10 to area shown in tables.

COMPETITOR CROSS REFERENCE

JencoFan	DESCRIPTION	GREENHECK	COOK	PENN	CARNES	ACME	FANTECH
LPD	Low Profile Direct Drive Roof Downblast	G	ACED	DX	VEDK	PRN	5BDD
SDBD/ RED	Direct Drive Roof Downblast	G	ACED	DX	VEDX	PRN	5DDD
SDB/DB	Belt Drive Roof Downblast	GB	ACEB	DX,KB,JB,MB	VEBX	PNN	5BDD
STXB/TXB	Centrifugal Upblast Roof Exhauster - Belt	CUBE	ACRUB/ VCR	FMX/FX	VUBK	PNU-RF	5BDU
STXBHP/ TXBHP	Centrifugal Upblast Roof Exhaust - High Pressure	CUBE-HP	ACRUB	FX	VUBK	PV	5BDU-762
STXBW/ TXBW	Centrifugal Wall - Belt	CWB	ACWB	WFXB	VWBK	PWB	
STXD/ TXB	Centrifugal Upblast Roof Exhauster - Direct	CUE	ACRUD	FX/FMX	VUDK	PDU	5DDU
STXDW/ TXBW	Centrifugal Wall - Direct	CW	ACWD	WFX	VWBK	PDU-WL	
CWD	Centrifugal Wall - Direct	GW	ACWD	B	VWDK	PW	5DDW
KSF	Centrifugal Filtered Supply - Belt	KSFB	KSPB	LF	-	AFSI	5FSU
LSF	Centrifugal Louvered Filtered Supply- Belt	RSFP	ASPT	-	VHBB	AFSL	-
CSF	Centrifugal Supply-Filtered-Belt	RSFP	ASPT	MU	VSBB	ASFN	-
UBS	Propeller Upblast - Belt	PUB/RBU	LXU/LEU/ LSU	HS/HZ	LUBA	UBG	5BLT
UBB	Propeller Upblast - Belt	RBU	LXU-LEU	HS/HZ	LUBA	UBG	5BLT
UBX	Propeller Upblast - Direct	RDU	AUD	HZ/Hi-EX	LUDA	UD	-
UBRD	Propeller Upblast Remote Drive - Belt	RBUMO	-	HX	LUKA	-	-
TUB-A	Tubeaxial Upblast-Aluminum Blades	TAUB	EUB/AUB	HC/HF	LQBA	UBH	-
TUB-P	Tubeaxial Upblast-Polypropylene Blades	-	-	-	LQBA	-	-
TUB-HT	Tubeaxial Upblast-Steel Blades	TAUB-HT	-	HX	LQBA	UBH-UF	-
HREB-C	Hooded Roof Propeller Exhaust-Belt	RBCE	HEE/HXE	AF/AC	LTBA	EC/ECH	1RHE
HRED-C	Hooded Roof Propeller Exhaust-Direct	RE/RCE	HEE-D	AF/AC	LTDA	-	-
HRSB	Hooded Roof Propeller Supply-Belt	RPBS	HES/HSS	AC/AF	LGBA	ECS/ECH	5RHS
HRSD	Hooded Roof Propeller Supply-Direct	RPDS	-	AC/AF	LFBA	-	-
HRSBF	Hooded Roof Prop Supply-Filtered-Belt	RPBF	HEF/HSF	AC/AF	LFBA	-	-
HRSDF	Hooded Roof Propeller Supply-Filtered- Direct	-	-	-	LFDA	-	-
LCE	Propeller Fan-Exhaust-Belt Drive	SB/SPF	XLW	BBK	LWBK/LWBA	DC	1RHR
LCS	Propeller Fan- Supply- Belt Drive	SBS	XLW	BBK	LMBK/LMBA	DC	1RHS
L2E & L3E	Propeller Fan- Supply Belt Drive	SB/SPB	AWB/EWB/ XMB/XLWK	BC/BBK/BFL	LABA	K/DC	1MDE/ 1HDE
L2S/L3S	Propeller Fan-Supply-Belt Drive-Heavy Duty	SB/SPB	XLW/XMW/ XLWH	BF/BBKBFL	LCBA	DCK	-
GED	Propeller Fan- Exhaust- Direct Drive	SE1	SWD	P	LYDK	FN	-
GSD	Propeller Fan- Supply-Direct Drive	SS1	SPD/SWD	P	LZDK	FN	-
DFE	Propeller Fan-Exhaust- Direct Drive	S2	SWD/SPD	P	LJDA	FQ	-
DFS	Propeller Fan- Supply -Direct Drive	S2	SWD/SPD	P	LKDA	FQ	-
DDE	Propeller Fan- Exhaust -Direct Drive	SCS 1/SPD/ SC3	SWD/SPD	BF/BC	LRDA	FN	-
DDS	Propeller Fan- Supply -Direct Drive	SC3	AWD	BF/BC	LNDA	FN	-
ARE	Dome Axial Exhaust -Direct	-	AQD	DAE	LEBA/LEDA	LQ	5ADE
ARS	Dome Axial Supply -Direct	AIS	AQD	DAS	LSBA	-	5ADS
BDT	Tubeaxial-Belt	TAB	EDB/ADB	BTA	LIBA	HA	-
DDT	Tubeaxial-Direct	TAD	EDD/ADD	TA	LIDA	-	-
RCXII	Non-Powered Roof Vent - Round Dome	GRS	PR	DR	GSAA	LQV	-
RLX	Louvered Gravity Vent	WIH/WRH	TRE	Penn house	GL	-	-
BGH	Gravity Hood	RHI/RHR Fabrahood	VR/VI	Airette	GE/GI	IV/EV	1RFH
SQB	Centrifugal Square Inline- Belt	BSQ	SDB/SQIB	SXBA	VIBK	XB	-
SQD	Centrifugal Square Inline- Direct	SQ	SQID/ SQNB	SXBA	VIDK	XD	-
CFD	Forward Curved Inline Duct Blower	BDF	DB	ZC	-	DM	-
CM	Belt Driven Vent Set	SFD/SFB/ SWD	CPRD/ CPFB	D	VBRA/VFBA	QBR	-

FOR REFERENCE ONLY

Model numbers change often and this guide should be used only as a general reference. Refer to manufacturer's current catalog for specific data.

CHEMICAL RESISTANCE CHART

REAGENT INVOLVED	PAINT SYSTEM				
	NON-COATED 3003 ALLOY ALUMINIUM	AIR DRIED ALKYD ENAMEL	BAKED EPOXY	SYNTHETIC RESIN (EISENHEISS)	PHENOLIC (HERESITE)
MAXIMUM TEMPERATURE	300°F	200°F	250°F	300°F	140°F
ABRASION (DRY)	U	S	S	F	F
MOISTURE (WATER)	S	S	S	S	S
SATURATED STEAM	S	S	S	S	U
SALT SPRAY	L	L	S	S	F
ACETIC ACID	L	S	S	S	F
ACETONE	S	U	S	U	F
ALCOHOLS	S	S	S	S	F
ALUMINUM CHLORIDE	U	S	S	S	F
ALUMINUM SULPHATE	U	S	S	S	F
AMMONIA GAS	N	S	S	N	N
AMMONIUM CHLORIDE	U	S	S	F	F
AMMONIUM HYDROXIDE	F	S	S	F	U
AMMONIUM NITRATE	F	N	S	S	L
AMMONIUM SULPHATE	U	S	S	S	L
BENZENE	S	N	S	U	F
BLEACHING COMPOUNDS	N	F	N	N	N
BORIC ACID	U	S	S	S	F
BROMINE	L	S	F	N	N
BUTANOL	N	N	S	S	F
BUTYRIC ACID	F	N	S	N	N
CALCIUM CARBONATE	S	S	S	N	N
CALCIUM CHLORIDE,WET	U	N	N	F	F
CALCIUM CHLORIDE,DRY	U	S	S	S	F
CALCIUM HYDROXIDE	U	S	S	F	F
CALCIUM HYPOCHLORITE	U	N	N	S	U
CARBOLIC ACID	F	U	F	U	F
CARBON DISULPHIDE	S	U	S	U	F
CARBON MONOXIDE	S	S	S	N	N
CARBON TETRACHLORIDE	L	U	S	U	F
CARBONIC ACID	F	S	S	S	F
CHLORINE, WET OR HOT	U	N	F	N	N
CHLORINE, DRY	U	S	S	S	F
CHLOROBENZENE	N	N	N	N	F
CHLOROFORM	F	F	S	N	N
CHROMIC ACID	U	S	F	F	U
CITRIC ACID	L	S	S	S	F
COPPER SULPHATE	U	N	N	S	F
ETHANOL	N	N	S	S	F
ETHYL ACETATE	N	N	S	F	F
ETHYLENE DICHLORIDE	N	N	F	F	F
ETHYLENE GLYCOL	F	N	N	F	F
FERRIC CHLORIDE	U	N	N	S	F
FERRIC SULPHATE	U	N	N	S	F

REAGENT INVOLVED	PAINT SYSTEM				
	NON-COATED 3003 ALLOY ALUMINIUM	AIR DRIED ALKYD ENAMEL	BAKED EPOXY	SYNTHETIC RESIN (EISENHEISS)	PHENOLIC (HERESITE)
MAXIMUM TEMPERATURE	300°F	200°F	250°F	300°F	140°F
FORMALDEHYDE	F	N	S	N	F
FORMIC ACID	U	F	N	N	F
GASOLINE	F	S	S	S	F
HYDROBROMIC ACID	L	S	F	N	N
HYDROCHLORIC ACID	U	S	F	S	F
HYDROCHLORUS ACID	L	S	F	N	N
HYDROFLUORIC ACID	U	U	F	U	U
HYDROGEN PEROXIDE	F	S	S	F	U
HYDROGEN SULPHIDE	L	N	S	F	F
LACQUER SOLVENTS	S	U	S	N	N
LACTIC ACID	U	S	L	S	F
LINSEED OIL	N	N	S	S	S
METHANOL	N	N	F	F	F
METHYL ETHYL KETONE	S	N	S	U	F
METHYL ISOBUTYL KETONE	S	N	F	U	F
MINERAL SPIRITS	N	N	S	F	F
NITRIC ACID	U	S	S	F	U
NITROUS ACID	F	S	S	N	N
OLEIC ACID	S	S	S	N	N
PETROLEUM ETHER	N	N	F	F	F
PHOSPHORIC ACID	U	S	S	S	F
POTASSIUM ALUM	N	N	N	S	F
POTASSIUM CYANIDE	L	S	S	N	N
POTASSIUM HYDROXIDE	U	S	S	F	U
POTASSIUM DICHROMATE	N	N	N	N	F
POTASSIUM NITRATE	N	N	S	N	N
PYROGALLIC ACID	F	N	S	N	N
SODIUM BISULPHATE	L	N	N	S	F
SODIUM CHLORIDE	L	N	S	S	F
SODIUM CYANIDE	L	S	S	N	N
SODIUM HYDROXIDE	U	S	S	F	U
SODIUM HYPOCHLORITE	U	N	N	F	U
SODIUM SULPHATE	S	N	N	S	F
SULPHURIC ACID	U	S	S	F	F
SULPHUROUS ACID	L	S	S	S	F
SULPHUR DIOXIDE	U	S	S	F	F
SULPHUR TRIOXIDE	U	L	S	N	N
TANNIC ACID	L	S	S	S	S
TOLUENE	S	U	S	U	F
TRICHLOROETHYLENE	F	N	S	U	F
VINEGAR	L	N	N	S	U
XYLOL	S	U	S	F	F

S - Suitable for heavy concentrations of fumes, including splash or condensation.

F - Suitable for mild concentrations of fumes, but no splash or condensation.

L - Suitable for light corrosion service, or intermittent exposure to light fume concentration. Not suitable if moisture, splash or condensation are present.

U - Unsatisfactory for use against corrosive agent listed.

N - No data available.

NOTE: Data presented is a summary of corrosion resistance characteristics of aluminum and the four coating systems shown. While single "letter" rating and a single temperature cannot possibly describe all situations, this data is presented as a guide. Caution must be exercised where moisture and/or temperature along with a chemical reagent will be encountered.

JencoFan

JencoFan USA Division JencoFan Canada Division

6393 Powers Avenue
Jacksonville, FL 32217
Phone: 1-904-731-4711
Fax: 1-904-737-8322

5600 Ambler Drive
Mississauga, ON L4W 2K9
Toll free phone: 1-866-733-0233
Toll free fax: 1-866-358-5346

www.jencofan.com